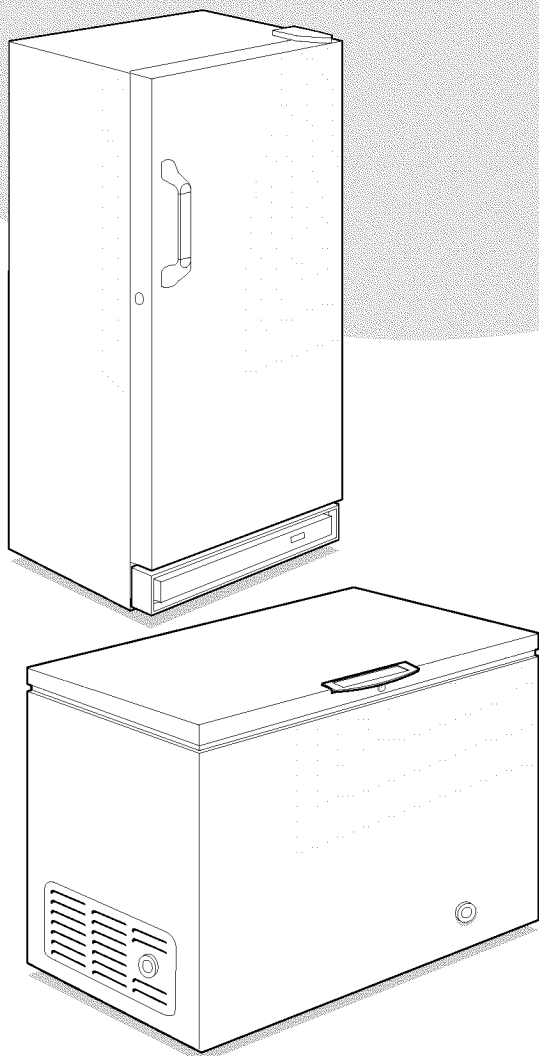


Gibson

Use & Care Manual

Freezer



Product Registration..... 2

Energy Saving Ideas 2

Important Safety Instructions..... 3

First Steps..... 4

**Setting
the Temperature Control 5**

Freezer Optional Features 5 - 6

Care and Cleaning 6 - 7

Power Failure/Freezer Failure..... 8

Avoid Service Checklist 9 - 10

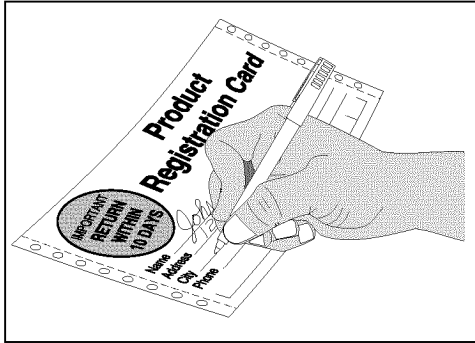
Warranty 11 - 12

READ AND SAVE THESE INSTRUCTIONS

P/N 216805800 (0104)

Product Registration

The information contained in this **Owner's Guide** will instruct you on how to properly operate and care for your product. Please read through the information contained in your literature pack to learn more about your new appliance.



Record Your Model and Serial Numbers

Record the Model No. and Serial No. of this freezer in the space provided below.

Model No. _____

Serial No. _____

Register Your Product

The self-addressed PRODUCT REGISTRATION CARD (shown left) should be filled in completely, signed and returned to Electrolux Home Products.

This Owner's Guide provides operating instructions for your model. Use your freezer only as instructed in this Owner's Guide.

Energy Saving Ideas



- The freezer should be installed in coolest area of the room, away from heat producing appliances or heating ducts, and out of direct sunlight.
- Let hot foods cool to room temperature before placing in freezer. Overloading the freezer forces the compressor to run longer. Foods that freeze too slowly may lose quality or spoil.
- Be sure to wrap foods properly and wipe containers dry before placing them in the freezer. This cuts down on frost build-up inside the freezer.
- Freezer shelves and baskets should not be lined with aluminum foil, wax paper, or paper toweling. Liners interfere with cold air circulation, making the freezer less efficient.
- Organize and label food to reduce door openings and extended searches. Remove as many items as needed at one time, and close door as soon as possible.

Important Safety Instructions

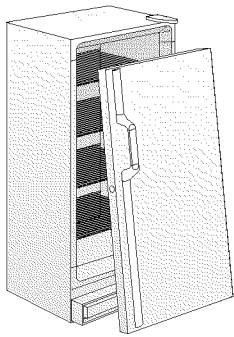
Proper Disposal of Your Refrigerator/Freezer

⚠ WARNING Risk of child entrapment. Child entrapment and suffocation are not problems of the past. Junked or abandoned refrigerators or freezer are still dangerous — even if they will sit for “just a few days.” If you are getting rid of your old refrigerator or freezer, please follow the instructions below to help prevent accidents.

BEFORE YOU THROW AWAY YOUR OLD REFRIGERATOR/FREEZER:

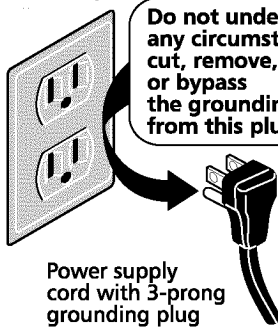
*Remove doors.

*Leave shelves in place so children may not easily climb inside.



⚠ WARNING Avoid fire hazard or electric shock. Do not use an extension cord or an adapter plug. Do not remove any prong from power cord.

Grounding type wall receptacle



Do not under any circumstances cut, remove, or bypass the grounding prong from this plug.

Power supply cord with 3-prong grounding plug

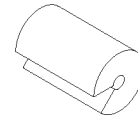
Read all instructions before using this freezer.

⚠ WARNING For Your Safety

Do not store or use gasoline or other flammable vapors and liquids in the vicinity of this or any other appliance. Read product labels for flammability and other warnings.

⚠ WARNING Child Safety

- Destroy carton, plastic bags, and any exterior wrapping material immediately after the freezer is unpacked. Children should never use these items for play. Cartons covered with rugs, bedspreads, plastic sheets or stretch wrap may become airtight chambers and can quickly cause suffocation.
- **A child might suffocate if he crawls into a freezer to hide or play. Remove the door of a freezer when not in use, even if you plan to discard the freezer.** Many communities have laws requiring you to take this safety precaution.
- Remove and discard any spacers used to secure the shelves during shipping. Small objects are a choke hazard to children.



⚠ WARNING Electrical Information

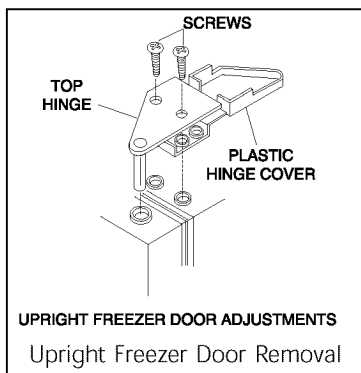
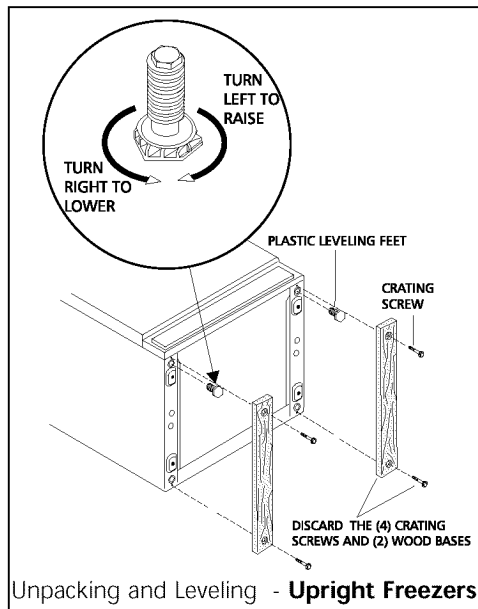
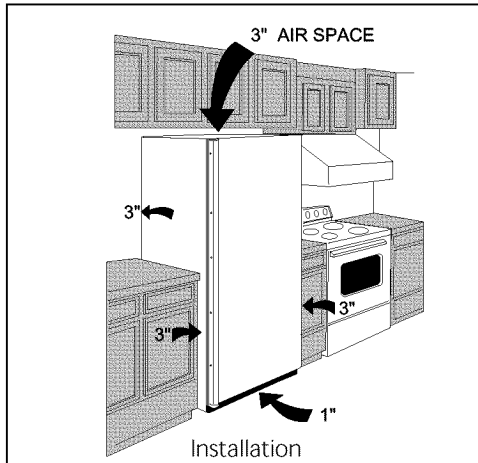
These guidelines must be followed to ensure that safety mechanisms in the design of this freezer will operate properly.

- **Refer to the serial plate for correct electrical rating.** The appliance power cord is equipped with a three-prong grounding plug for protection against shock hazards. It must be plugged directly into its own properly grounded three-prong receptacle, protected with a 15 amp time delay fuse or circuit breaker. The receptacle must be installed in accordance with the local codes and ordinances. Consult a qualified electrician. Receptacles protected by Ground Fault Circuit Interrupters (GFCI) are NOT RECOMMENDED. **DO NOT use an extension cord or adapter plug.**
- If voltage varies by 10 percent or more, freezer performance may be affected. Operating the freezer with insufficient power can damage the motor. Such damage is not covered under the warranty. If you suspect your household voltage is high or low, consult your power company for testing.
- To prevent the freezer from being turned off accidentally, do not plug unit into an outlet controlled by a wall switch or pull cord.
- Do not pinch, knot, or bend power cord in any manner.

⚠ WARNING Other Precautions

- Never unplug freezer by pulling on power cord. Always grip plug firmly, and pull straight out from receptacle.
- Turning control to OFF turns off the compressor, but does not disconnect power to other electrical components.

First Steps



Before starting the freezer, follow these important first steps:

Installation

- Choose a place that is near a grounded electrical outlet.
- The freezer should be located where surrounding temperatures will not exceed 110°F (43°C). Temperatures of 32°F (0°C) and below will NOT affect freezer operation. Additional compressor heaters are not recommended.
- *Allow space around the unit for good air circulation.* Leave a 3 inch (75 mm) space on all sides of the freezer for adequate circulation.

Leveling

The freezer must have all bottom corners resting firmly on a solid floor. The floor must be strong enough to support a fully loaded freezer. **NOTE:** It is VERY IMPORTANT for your freezer to be level in order to function properly. If the freezer is not leveled during installation, the door may be misaligned and not close or seal properly, causing cooling, frost, or moisture problems.

To Level Upright Unit:

After discarding crating screws and wood base, use a carpenter's level to level the freezer from front-to-back. Adjust the plastic leveling feet in front, 1/2 bubble higher, so that the door closes easily when left halfway open.

To Level Chest Unit:

If needed, add metal or wood shims between feet pads and floor.

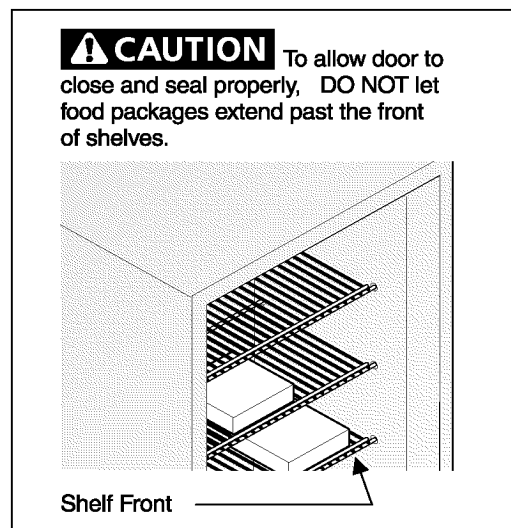
Cleaning

- Wash any removable parts, the freezer interior, and exterior with mild detergent and warm water. Wipe dry. **DO NOT USE HARSH CLEANERS ON THESE SURFACES.**
- Do not use razor blades or other sharp instruments, which can scratch the appliance surface when removing adhesive labels. Any glue left from the tape can be removed with a mixture of warm water and mild detergent, or touch the residue with the sticky side of tape already removed. **DO NOT REMOVE THE SERIAL PLATE.**

Upright Freezer Door Removal

If door must be removed:

1. Lift up plastic hinge cover and fold back.
2. Use a Phillips® screwdriver to loosen and retighten the screws on the top hinge to insure a secure assembly and prevent hinge slippage.
3. Remove the top hinge from cabinet and lift door off the lower hinge pin.
4. After door is removed, remove the two screws from the bottom hinge.
5. To replace door, reverse above order.



Setting the Temperature Control

Cool Down Period

- For safe food storage, allow 4 hours for freezer to cool down completely. The freezer will run continuously for the first several hours. Foods that are already frozen may be placed in freezer after the first few hours of operation. Unfrozen foods should NOT be loaded into freezer until freezer has operated for 4 hours.
- When loading freezer, freeze only 3 pounds of fresh food per cubic foot of freezer space at one time. Distribute packages to be frozen evenly throughout the freezer. It is not necessary to turn control knob to a colder setting while freezing food.

Temperature Control

The temperature control is located inside the freezer on upright models, and on the left outside wall on chest models. The temperature is factory preset to provide satisfactory food storage temperatures. However, the temperature control is adjustable to provide a range of temperatures for your personal satisfaction. If a colder temperature is desired, turn the temperature control knob toward COLD-EST and allow several hours for temperatures to stabilize between adjustments.

Freezer Optional Features



NOTE: Your freezer may have some, or all of the features listed below. Become familiar with these features, and their use and care.

Rapid Freeze

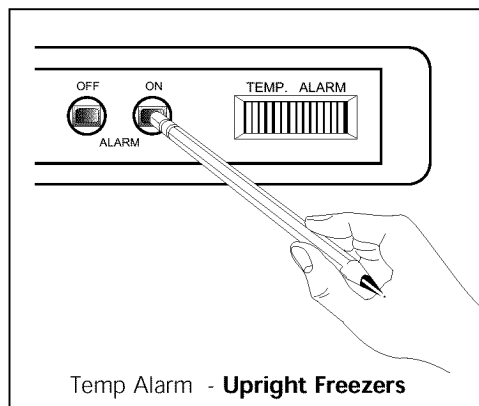
Rapid freeze allows you to lower your freezer's temperature to the lowest possible temperature by pushing the switch to ON. For maximum benefit, rapid freeze should be selected 24 hours before placing a large quantity of unfrozen food into the freezer. Food should then be spread throughout the freezer compartment to speed up the freezing process. Rapid freeze must be manually turned off by pushing the switch to OFF. (This will return the compressor to the normal operating mode.)

Power On Light

The Power On Light indicates that the freezer is properly connected to electrical power. The light glows even when the temperature control is turned to OFF. If the light goes out, refer to "Freezer does not run" in the Avoid Service Checklist.

Temp Alarm (audible only or audible with warning light)

This feature is designed to provide a warning of possible malfunction. If the temperature of the food rises to a level unsafe for long-term storage, the buzzer will sound. The red light will also glow on models so equipped. The Temp Alarm feature operates on household electricity. If power fails, the alarm will not perform. An ON/OFF switch allows you to deactivate the Temp Alarm when not wanted. The freezer is shipped with Temp Alarm in the OFF position. After freezer has run approximately 4 hours, the red light, if equipped, will go off. Then you may activate the Temp Alarm without the alarm sounding.



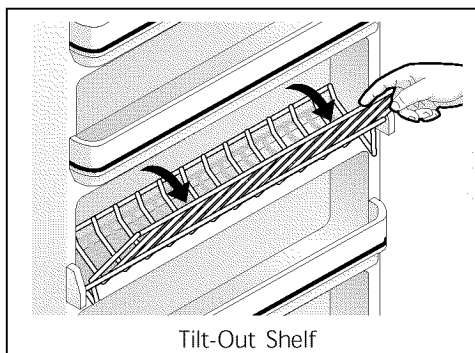
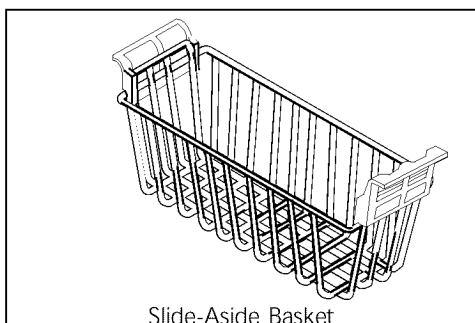
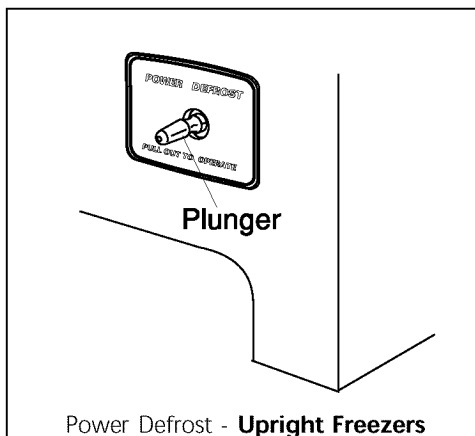
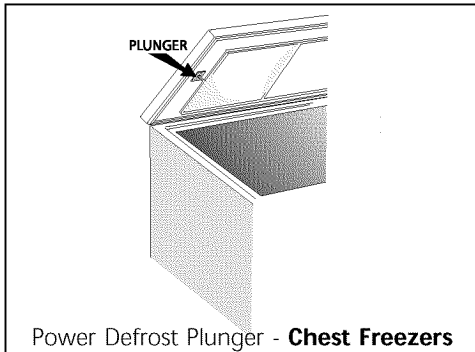
To activate the Temp Alarm, press the eraser end of a pencil, or a freezer key into the hole marked ON, moving the rocker switch. To deactivate the Temp Alarm, press the OFF switch.

If the alarm sounds, be sure freezer is properly leveled, and the door closes freely, and seals properly. If you suspect a technical malfunction, call an authorized servicer immediately.

Slide-Out Basket (upright models)

The Slide-Out Basket, located at the bottom of the freezer provides separate storage space for items that are difficult to store on freezer shelves. To remove basket, pull out, and lift up.

Freezer Optional Features (continued)



Juice Can Rack (upright models)

The Juice Can Rack on the freezer door is specially ridged to store juice cans and prevent them from rolling out of the shelf.

Security Lock with Pop-Out Key

This security lock fastens the door snugly, ensuring stored food is secure. To lock or unlock the freezer, push the key into the lock and turn. The key pops out of the lock after it has been turned.

Interior Light

The light comes on automatically when the door is opened. To replace the light bulb, turn the temperature control to OFF and unplug the electrical cord. Replace the old bulb with a bulb of the same wattage.

Adjustable Shelf (upright models)

This shelf can be moved to one of two positions. Lift the shelf up and out to move to the desired position.

Power Defrost

The Power Defrost feature will defrost freezer in a fraction of the time usually required. To defrost, **remove all food**, and follow these steps.

1. Pull out Power Defrost Plunger. Leave door open while defrosting. (Closing freezer door will push in plunger and power defrost will be turned off.)
2. Push Power Defrost Plunger in to restart freezer after defrosting is completed.

Defrost Drain

The defrost drain provides a method of draining the water during defrosting and cleaning. See "Defrosting" in Care and Cleaning Section.

Slide-Aside Basket (chest models)

This basket helps organize odd-shaped items. To reach other packages in the freezer, slide the basket aside or lift out.

Divider/Drain Pan (chest models)

The Divider/Drain Pan doubles as a convenient storage area and serves as a shallow drain pan when defrosting. To remove, lift pan straight up out of the supports, and out of the chest.

Fast Freezing Shelves (upright models)

These shelves contain cooling coils to freeze foods quickly and allow cold air to constantly circulate throughout the freezer. Do not use sharp metal objects such as ice picks or scrapers to clean the shelves. This could damage the shelves and reduce their cooling ability. These shelves are not adjustable.

Tilt-Out Shelf

This shelf is located inside on the freezer door and provides additional storage space. To access an item, tilt top or "basket" shelf down.

Drop Front Shelf (Upright Models)

The Drop Front Shelf, located at the bottom of the freezer, provides a separate compartment for small irregular shaped items or large, bulky items. Lift the shelf front up and out to remove.

Care and Cleaning

CAUTION Damp objects stick to cold metal surfaces. Do not touch interior metal surfaces with wet or damp hands.

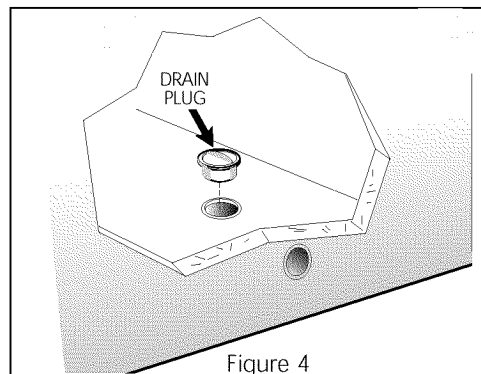
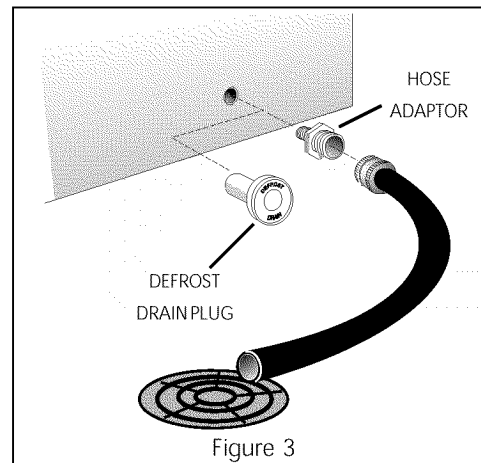
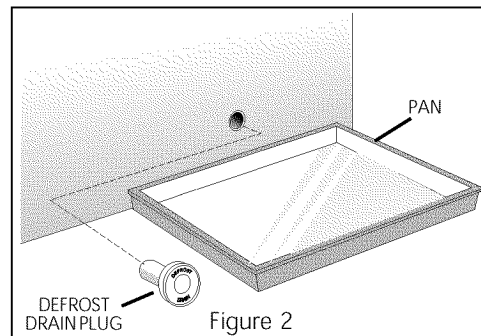
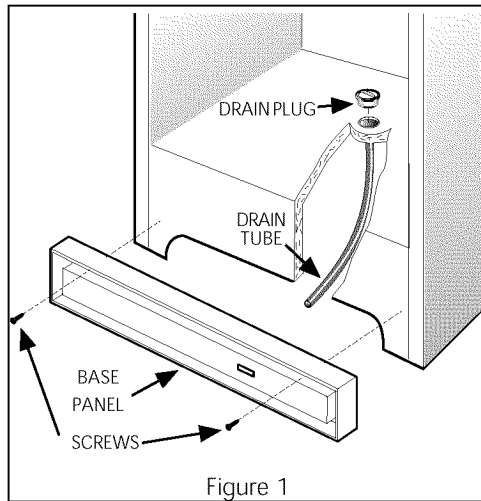
Some upright freezers are frost-free and defrost automatically, but should be cleaned occasionally. Before cleaning or defrosting, unplug the power cord from the electrical outlet.

Between Defrostings

To avoid frequent defrosting, occasionally use a plastic scraper to remove frost. Scrape with a pulling motion. Never use a metal instrument to remove frost.

Care and Cleaning

(continued)



Defrosting

It is important to defrost and clean freezer when 1/4 to 1/2 inch of frost has accumulated. Frost may tend to accumulate faster on upper part of freezer due to warm, moist air entering freezer when door is opened. Remove food and leave door open when defrosting freezer.

- **On upright models** with a defrost drain (Figure 1), remove drain plug on the inside floor of the freezer by pulling straight out. To access external drain tube on models with a base panel, first remove the two screws from the base panel. Locate the drain tube near the left center under the freezer. Place a shallow pan under the drain tube. Defrost water will drain out. Check pan occasionally so water does not overflow. A 1/2 inch garden hose adaptor can be used to drain the freezer directly into a floor drain. If your model is not equipped with an adaptor, one can be purchased at most hardware stores. Replace the drain plug when defrosting and cleaning are completed. If the drain is left open, warm air may enter freezer.
- **On chest models** with a defrost drain, place a shallow pan or the Divider/Drain Pan (some models) beneath the drain outlet (Figure 2). A one half inch garden hose adaptor can be used to drain the freezer directly into a floor drain (Figure 3). If your model is not equipped with an adaptor, one can be purchased at most hardware stores. Pull out the drain plug inside the freezer, and pull off the outside defrost drain plug (Figure 4). Defrost water will drain out. Check pan occasionally so water does not overflow. Replace the drain plugs when defrosting is completed.
- **On models without a defrost drain**, place towels or newspapers on the freezer bottom to catch the frost. The frost will loosen and fall. Remove towels and/or newspapers.
- If the frost is soft, remove it by using a plastic scraper. If the frost is glazed and hard, fill deep pans with hot water and place them on the freezer bottom. Close the freezer door. Frost should soften in about 15 minutes. Repeat this procedure if necessary.

Cleaning the Inside

After defrosting, wash inside surfaces of the freezer with a solution of two tablespoons of baking soda in one quart (1.136 litres) warm water. Rinse and dry. Wring excess water out of the sponge or cloth when cleaning in the area of the controls, or any electrical parts.

Wash the removable parts and door basket with the baking soda solution mentioned above, or mild detergent and warm water. Rinse and dry. **Never** use metallic scouring pads, brushes, abrasive cleaners, or alkaline solutions on any surface. Do not wash removable parts in a dishwasher.

Cleaning the Outside

Wash the cabinet with warm water and mild liquid detergent. Rinse well and wipe dry with a clean soft cloth. Replace parts and food.

Care and Cleaning

(continued)

⚠ WARNING If leaving freezer door open while on vacation, make certain that children cannot get into the freezer and become entrapped.

Vacation and Moving Tips

Short Vacations: Leave the freezer operating during vacations of less than three weeks.

Long Vacations: If the freezer will not be used for several months, remove all food and unplug the power cord. Clean and dry the interior thoroughly. To prevent odor and mold growth, leave the freezer door open slightly, blocking it open if necessary.

Moving: Disconnect the power cord plug from the wall outlet. Remove foods, then defrost, and clean the freezer. Secure all loose items such as base panel, baskets, and shelves by taping them securely in place to prevent damage. In the moving vehicle, secure freezer in an upright position, and secure to prevent movement. Also protect outside of freezer with a blanket, or similar item.

Power Failure/ Freezer Failure

Do not open freezer door unnecessarily if freezer is off for several hours.

If a power failure occurs, frozen foods will stay frozen for at least 24 hours if the freezer is kept closed. If the power failure continues, pack seven or eight pounds of dry ice into the freezer every 24 hours. Look in the Yellow Pages under "Dry Ice," "Dairies," or "Ice Cream Manufacturers" for local dry ice suppliers. Always wear gloves and use caution when handling dry ice.

If the freezer has stopped operating, see "Freezer does not run" in the Avoid Service Checklist Section of this manual. If you cannot solve the problem, call an authorized servicer immediately.

If the freezer remains off for several hours, follow the directions above for the use of dry ice during a power failure. If necessary, take the food to a local locker plant until the freezer is ready to operate. Look in the Yellow Pages under "Frozen Food Locker Plants."

Avoid Service Checklist

Before calling for service, review this list. It may save you both time and expense. This list includes common occurrences that are not the result of defective workmanship or materials in this appliance.

OCCURRENCE

SOLUTION

FREEZER DOES NOT RUN

This freezer must not be plugged into a circuit that has ground fault interrupt. If you are unsure about the outlet, have it checked by a certified technician.

Temperature control is in the OFF position. See Setting the Temperature Control Section.

Freezer may not be plugged in, or plug may be loose. Be sure plug is tightly pushed into electrical outlet.

House fuse has blown, or circuit breaker has tripped. Check/reset circuit breaker, or replace fuse with 15 amp. time delay fuse.

Power outage. Check house lights. Call local electric company.

Freezer runs too much or too long.

Room or outside weather is hot. It is normal for the freezer to work harder under these conditions.

Freezer had recently been disconnected for a period of time. Freezer requires 4 hours to cool down completely.

Large amounts of warm or hot food have been stored recently. Warm food will cause the freezer to run more until the desired temperature is reached.

Door is kept open too long or too frequently. Warm air enters the freezer every time the door is opened. Open the door less often.

Freezer door may be slightly open. See Occurrence "Door Problems."

Temperature control is set too cold. Turn the control knob to a warmer setting. Allow several hours for the temperature to stabilize.

Freezer gasket is dirty, worn, cracked, or poorly fitted. Clean or change gasket. Leaks in the door seal will cause freezer to run longer in order to maintain desired temperature.

Temperatures inside the freezer are too cold.

Temperature control is set too cold. Turn the control to a warmer setting. Allow several hours for the temperature to stabilize.

Temperatures inside the freezer are too warm.

Temperature control is set too warm. Turn the control to a colder setting. Allow several hours for the temperature to stabilize.

Door is kept open too long or is opened too frequently. Warm air enters the freezer every time the door is opened. Open the door less often.

Door may be open slightly. See Occurrence section "Door Problems."

Large amounts of warm or hot food might have been stored recently. Wait until the freezer has had a chance to reach its selected temperature.

Freezer has recently been disconnected for a period of time. Freezer requires 4 hours to cool down completely.

Temperature of external freezer surface is warm.

The exterior freezer walls can be as much as 30°F warmer than room temperature. This is normal while the compressor works to transfer heat from inside the freezer cabinet.

SOUND AND NOISE

Louder sound levels whenever freezer is on.

Modern freezers have increased storage capacity and more even temperatures. They require a high efficiency compressor. When the surrounding noise level is low, you might hear the compressor running while it cools the interior.

Louder sound levels when compressor comes on.

Freezer operates at higher pressures during the start of the ON cycle. This is normal. Sound will level off or disappear as freezer continues to run.

Popping or cracking sound when compressor comes on.

Metal parts undergo expansion and contraction, as in hot water pipes. This is normal. Sound will level off or disappear as freezer continues to run.

OCCURRENCE

SOLUTION

SOUND AND NOISE (cont'd)

Bubbling or gurgling sound, like water boiling.

Refrigerant (used to cool freezer) is circulating throughout the system. This is normal.

Vibrating or rattling noise.

Freezer is not level. It rocks on the floor when it is moved slightly. Level the unit. Refer to "Leveling" in the First Steps Section.

Floor is uneven or weak. Freezer rocks on the floor when it is moved slightly. Be sure floor can adequately support freezer. Level the freezer by putting wood or metal shims under part of the freezer.

WATER/MOISTURE/FROST INSIDE FREEZER

Freezer is touching the wall. Relevel the freezer or move freezer slightly. Refer to "Leveling" in the First Steps Section.

Moisture forms on inside freezer walls.

Weather is hot and humid, which increases internal rate of frost build-up. This is normal.

Door is slightly open. See Occurrence "Door Problems."

WATER/MOISTURE/FROST OUTSIDE FREEZER

Door is kept open too long, or is opened too frequently. Open the door less often.

Moisture forms on outside of freezer.

Door is slightly open, causing the cold air from inside the freezer to meet warm moist air from outside. See "Door Problems" in the Occurrence Section.

ODOR IN FREEZER

Interior needs to be cleaned. Clean interior with sponge, warm water, and baking soda.

DOOR PROBLEMS

Foods with strong odors are in the freezer. Cover the food tightly.

Door will not close.

Freezer is not level. It rocks on the floor when it is moved slightly. This condition can force the cabinet out of square and misalign the door. Refer to "Leveling" in the First Steps Section.

Floor is uneven or weak. Freezer rocks on the floor when it is moved slightly. Level the floor by using metal or wood shims under the freezer or brace floor supporting the freezer.

LIGHT BULB IS NOT ON

Light bulb is burned out. Follow directions under "Interior Light" in the Freezer Features Section.

No electric current is reaching the freezer. See Occurrence "Freezer Does Not Run."

GIBSON FREEZER PLATINUM ADVANTAGE WARRANTY

Your Gibson product is protected by this warranty (United States)

	WARRANTY PERIOD	THROUGH OUR AUTHORIZED SERVICERS, WE WILL:	THE CONSUMER WILL BE RESPONSIBLE FOR:
FULL TWO-YEAR WARRANTY	Two years from original purchase date	Pay all costs for repairing or replacing any parts of this appliance which prove to be defective in materials or workmanship.	Costs of service calls that are listed under NORMAL RESPONSIBILITIES OF THE CONSUMER. *
LIMITED 3rd-5th YEAR WARRANTY (Sealed System)	Third through fifth years from original purchase date	Repair or replace any parts in the Sealed Refrigeration System (compressor, condenser, evaporator, drier and tubing) which prove to be defective in materials or workmanship, and provide the labor to install such part.	Diagnostic costs and any removal, transportation and reinstallation costs, which are required because of service. Costs for labor, parts and transportation other than with respect to the Sealed Refrigeration System.
LIMITED 6th-10th YEAR WARRANTY (Compressor Only)	Sixth through tenth years from original purchase date	Provide a replacement for any compressor, which proves to be defective in materials or workmanship.	Diagnostic costs and any removal, transportation and reinstallation costs, which are required because of service. Costs for labor, parts and transportation other than the cost of the replacement compressor itself.
LIMITED WARRANTY (Applicable to the State of Alaska)	Time periods listed above.	All of the provisions of the full and limited warranties above and the exclusions listed below apply.	Costs of the technician's travel to the home and any costs for pick up and delivery of the appliance required because of service.
THREE-YEAR LIMITED FOOD SPOILAGE PLAN	During the first three years from original purchase date.	If food loss results because of defects in materials or workmanship during the time periods listed above, and applies to the limitations stated in the normal responsibilities of the consumer listed below, Electrolux will reimburse the consumer for the actual food spoilage loss in excess of \$5.00 per occurrence, but not to exceed a cumulative maximum payment of \$100.00 , provided the food losses: A) Are reported and the food shown to any Electrolux authorized servicer within 24 hours of the discovery of the loss. B) Are not occasioned by either the manual disconnection of the electrical power within the premises of the owner or a general power failure. C) Occur even though the owner exercised reasonable care and diligence to save food per suggestions furnished with the appliance.	

Your appliance is warranted by Electrolux Home Products North America, a division of White Consolidated Industries Inc. We authorize no person to change or add to any of our obligations under this warranty. Our obligations for service and parts under this warranty must be performed by us or an authorized Electrolux Home Products North America servicer.

*NORMAL RESPONSIBILITIES OF THE CONSUMER

This warranty applies only to products in ordinary household use, and the consumer is responsible for the items listed below:

1. Proper use of the appliance in accordance with instructions provided with the product.
2. Proper installation by an authorized servicer in accordance with instructions provided with the appliance and in accordance with all local plumbing, electrical and/or gas codes.
3. Proper connection to a grounded power supply of sufficient voltage, replacement of blown fuses, repair of loose connections or defects in house wiring.
4. Expenses for making the appliance accessible for servicing, such as removal of trim, cupboards, shelves, etc., which are not a part of the appliance when it was shipped from the factory.
5. Damages to finish after installation.
6. Replacement of light bulbs and/or fluorescent tubes (on models with these features).

EXCLUSIONS

This warranty does not cover the following:

1. CONSEQUENTIAL OR INCIDENTAL DAMAGES SUCH AS PROPERTY DAMAGE AND INCIDENTAL EXPENSES RESULTING FROM ANY BREACH OF THIS WRITTEN OR ANY IMPLIED WARRANTY.
NOTE: Some states do not allow the exclusion or limitation of incidental or consequential damages, so this limitation or exclusion may not apply to you.
2. Service calls which do not involve malfunction or defects in workmanship or material, or for appliances not in ordinary household use. The consumer shall pay for such service calls.
3. Damages caused by services performed by servicers other than Electrolux Home Products North America or its authorized servicers; use of parts other than genuine Electrolux Home Products parts; obtained from persons other than such servicers; or external causes such as abuse, misuse, inadequate power supply or acts of God.
4. Products with original serial numbers that have been removed or altered and cannot be readily determined.

IF YOU NEED SERVICE

Keep your bill of sale, delivery slip, or some other appropriate payment record. The date on the bill establishes the warranty period should service be required. If service is performed, it is in your best interest to obtain and keep all receipts. This written warranty gives you specific legal rights. You may also have other rights that vary from state to state. Service under this warranty must be obtained by contacting Electrolux Home Products:

This warranty only applies in the 50 states of the U.S.A., and Puerto Rico. Product features or specifications as described or illustrated are subject to change without notice. All warranties are made by Electrolux Home Products North America, a division of White Consolidated Industries Inc.

01-G-FR-02 (Rev. 03/2001)

USA

800-944-9044

Electrolux Home Products North America

P.O. Box 212378

Augusta, GA 30917

FREEZER WARRANTY (CANADA)

Your freezer is protected by this warranty

	WARRANTY PERIOD	THROUGH OUR AUTHORIZED SERVICERS, WE WILL:	THE CONSUMER WILL BE RESPONSIBLE FOR:
FULL ONE-YEAR WARRANTY	One year from original purchase date	Pay all costs for repairing or replacing any parts of this appliance which prove to be defective in materials or workmanship.	Costs of service calls that are listed under NORMAL RESPONSIBILITIES OF THE CONSUMER. *
LIMITED 2ND-5TH YEAR WARRANTY (Sealed System)	Second through fifth years from original purchase date	Repair or replace any parts in the Sealed Refrigeration System (compressor, condenser, evaporator, drier and tubing) which prove to be defective in materials or workmanship, and provide the labor to install such part.	Diagnostic costs and any removal, transportation and reinstallation costs, which are required because of service. Costs for labor, parts and transportation other than with respect to the Sealed Refrigeration System.
LIMITED 6TH-10TH YEAR WARRANTY (Compressor Only)	Sixth through tenth years from original purchase date	Provide a replacement for any compressor, which proves to be defective in materials or workmanship.	Diagnostic costs and any removal, transportation and reinstallation costs, which are required because of service. Costs for labor, parts and transportation other than the cost of the replacement compressor itself.
LIMITED WARRANTY (Applicable to the State of Alaska)	Time periods listed above.	All of the provisions of the full and limited warranties above and the exclusions listed below apply.	Costs of the technician's travel to the home and any costs for pick up and delivery of the appliance required because of service.
THREE-YEAR LIMITED FOOD SPOILAGE PLAN	During the first three years from original purchase date.	If food loss results because of defects in materials or workmanship during the time periods listed above, and applies to the limitations stated in the normal responsibilities of the consumer listed below, Electrolux will reimburse the consumer for the actual food spoilage loss in excess of \$5.00 per occurrence, but not to exceed a cumulative maximum payment of \$100.00 , provided the food losses: A) Are reported and the food shown to any Electrolux authorized servicer within 24 hours of the discovery of the loss. B) Are not occasioned by either the manual disconnection of the electrical power within the premises of the owner or a general power failure. C) Occur even though the owner exercised reasonable care and diligence to save food per suggestions furnished with the appliance.	

Your appliance is warranted by Electrolux Home Products North America, a division of WCI Canada Inc. We authorize no person to change or add to any of our obligations under this warranty. Our obligations for service and parts under this warranty must be performed by us or an authorized Electrolux Home Products North America servicer.

***NORMAL RESPONSIBILITIES OF THE CONSUMER**

This warranty applies only to products in ordinary household use, and the consumer is responsible for the items listed below:

1. Proper use of the appliance in accordance with instructions provided with the product.
2. Proper installation by an authorized servicer in accordance with instructions provided with the appliance and in accordance with all local plumbing, electrical and/or gas codes.
3. Proper connection to a grounded power supply of sufficient voltage, replacement of blown fuses, repair of loose connections or defects in house wiring.
4. Expenses for making the appliance accessible for servicing, such as removal of trim, cupboards, shelves, etc., which are not a part of the appliance when it was shipped from the factory.
5. Damages to finish after installation.
6. Replacement of light bulbs and/or fluorescent tubes (on models with these features).

EXCLUSIONS

This warranty does not cover the following:

1. CONSEQUENTIAL OR INCIDENTAL DAMAGES SUCH AS PROPERTY DAMAGE AND INCIDENTAL EXPENSES RESULTING FROM ANY BREACH OF THIS WRITTEN OR ANY IMPLIED WARRANTY.
NOTE: Some states do not allow the exclusion or limitation of incidental or consequential damages, so this limitation or exclusion may not apply to you.
2. Service calls which do not involve malfunction or defects in workmanship or material, or for appliances not in ordinary household use. The consumer shall pay for such service calls.
3. Damages caused by services performed by servicers other than Electrolux Home Products North America or its authorized servicers; use of parts other than genuine Electrolux Home Products parts; obtained from persons other than such servicers; or external causes such as abuse, misuse, inadequate power supply or acts of God.
4. Products with original serial numbers that have been removed or altered and cannot be readily determined.

IF YOU NEED SERVICE

Keep your bill of sale, delivery slip, or some other appropriate payment record. The date on the bill establishes the warranty period should service be required. If service is performed, it is in your best interest to obtain and keep all receipts. This written warranty gives you specific legal rights. You may also have other rights that vary from state to state. Service under this warranty must be obtained by contacting Electrolux Home Products:

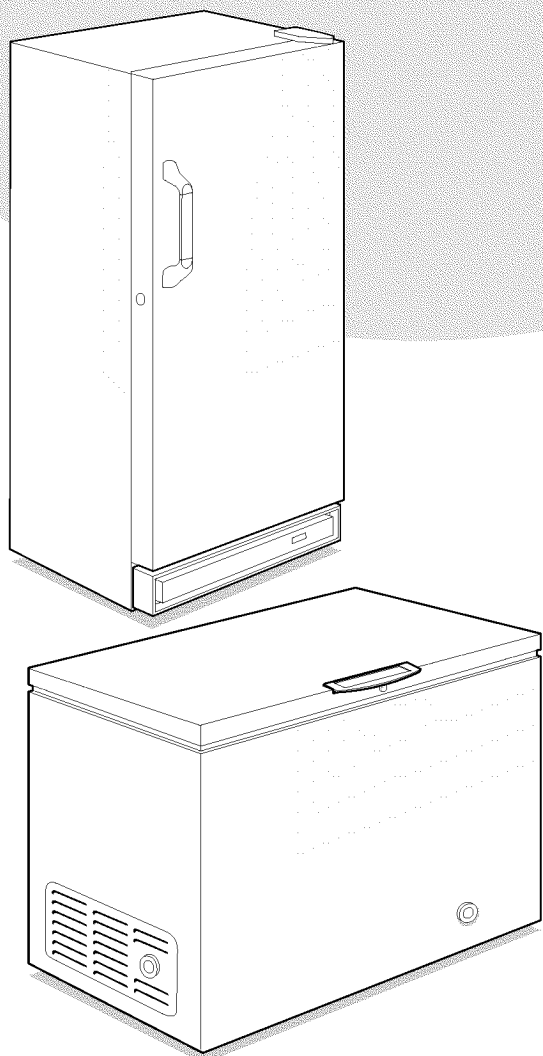
Your appliance is warranted by Electrolux Home Products North America, a division of WCI Canada Inc. Product features or specifications as described or illustrated are subject to change without notice.

Canada
866•213•9397
 Electrolux Home Products North America
 6150 McLaughlin Road
 Mississauga, Ontario
 L5R 4C2

Gibson

Manual d'utilisation et d'entretien

Congélateur



Enregistrement de votre appareil... 2

Conseils pour économiser l'énergie..... 2

Consignes de sécurité..... 3

Avant de mettre votre congélateur en marche..... 4

Réglage de la commande de températurel..... 5

Caractéristiques du congélateur..... 5 - 6

Entretien et nettoyage..... 6 - 7

Panne de courant/panne de congélateur..... 8

Liste de contrôle anti-panne... 9 - 10

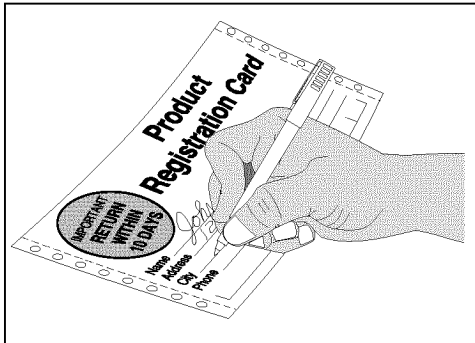
Garantie 11 - 12

LIRE ET CONSERVER CES INSTRUCTIONS

216805800 (0104)

Enregistrement de l'appareil

Les informations contenues dans ce **manuel** vous permettront d'installer et utiliser votre congélateur en toute sécurité. Veuillez lire attentivement ces informations.



Inscrivez les numéros de modèle et de série

Inscrivez ci-dessous le numéro de modèle et celui de série de ce congélateur.

N° de modèle _____

N° de série _____

Enregistrez votre appareil

La CARTE D'ENREGISTREMENT (montrée à gauche) doit être remplie complètement, plus signée et retournée à Electrolux Home Products.

Votre guide de l'utilisateur contient des directives spécifiques à votre appareil. N'utilisez votre congélateur que suivant les instructions.

Conseils pour économiser l'énergie



- Placez le congélateur dans l'endroit le plus frais de la pièce, à distance de tout appareil produisant de la chaleur ou des conduits de chauffage, et à l'abri de la lumière.
- Avant de ranger les aliments chauds dans le congélateur, laissez les refroidir à la température de la pièce. Une surcharge du congélateur oblige le compresseur à fonctionner plus longtemps. Les aliments qui congèlent trop lentement risquent de perdre de leur saveur ou de périr.
- Afin de limiter la condensation à l'intérieur de votre appareil, enveloppez correctement les aliments et essuyez les récipients avant de les disposer dans le congélateur.
- Les clayettes ne devraient pas être recouvertes de papier aluminium, papier ciré ou essuie-tout. Ces revêtements entravent la circulation de l'air froid, ce qui diminue l'efficacité du congélateur.
- Rangez correctement les aliments et étiquetez-les pour réduire les ouvertures de votre appareil et les recherches prolongées. Sortez en même temps de votre congélateur tous les aliments dont vous avez besoin et refermez le aussitôt.

Importantes mesures de sécurité

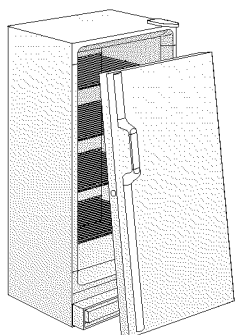
Mise au rebut appropriée d' votre appareil

⚠ AVERTISSEMENT Les jeunes enfants peuvent s'enfermer à l'intérieur de l'appareil et suffoquer. Ces risques sont bien réels. Les congélateurs mis au rebut ou non utilisés présentent toujours un danger même s'ils ne sont entreposés "que pour quelques jours". Si vous vous débarrassez de votre ancien congélateur veuillez suivre les instructions ci-dessous pour éviter tout risque d'accident.

AVANT DE VOUS DEBARASSER DE VOTRE ANCIEN APPAREIL:

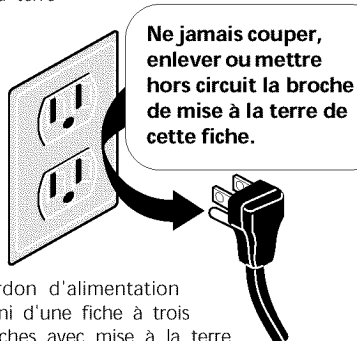
*Retirer les portes.

*Laisser les clayettes en place pour éviter que les enfants ne puissent entrer facilement à l'intérieur.



⚠ AVERTISSEMENT ATTENTION: Pour éviter tout risque de feu ou d'électrocution. Ne pas utiliser de rallonge électrique ou d'adaptateur. N'enlever aucune des broches de la fiche d'alimentation.

Prise murale mise à la terre



Cordon d'alimentation muni d'une fiche à trois broches avec mise à la terre

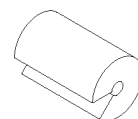
Avant d'utiliser votre congélateur, veuillez lire attentivement toutes les instructions contenues dans ce manuel.

⚠ AVERTISSEMENT Pour votre sécurité

N'entreposez et n'utilisez aucun produit inflammable (essence ou autres produits inflammables) à proximité de cet appareil ou de tout autre appareil électrique. Lisez attentivement les étiquettes précisant les risques d'inflammabilité et les dangers d'utilisation des produits.

⚠ AVERTISSEMENT Sécurité des enfants

- Détruisez le carton, les sacs plastiques et tout autre matériau d'emballage immédiatement après le déballage du congélateur. Ne laissez pas les enfants jouer avec ces articles. Les emballages recouverts de revêtement en tissu, en mousse ou en plastique, ou encore de matériaux extensibles risquent de ne pas laisser passer d'air et d'asphyxier.
- **Un enfant peut s'étouffer s'il se cache ou joue dans un congélateur. Enlevez la porte d'un congélateur non utilisé, même si vous décidez de le jeter.** Les lois applicables dans de nombreuses collectivités vous obligent à respecter cette mesure de sécurité.
- Retirez et jetez toutes les entretoises employées pour fixer les étagères pendant l'expédition. Les petits objets sont un risque d'obstruction aux enfants.



⚠ AVERTISSEMENT Informations concernant le branchement électrique

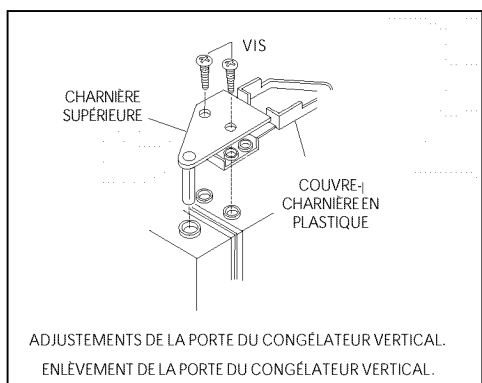
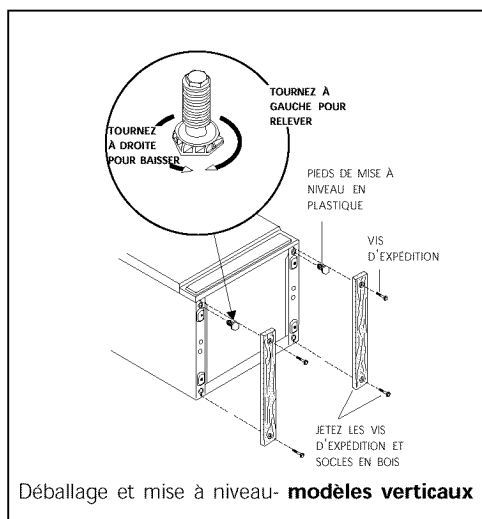
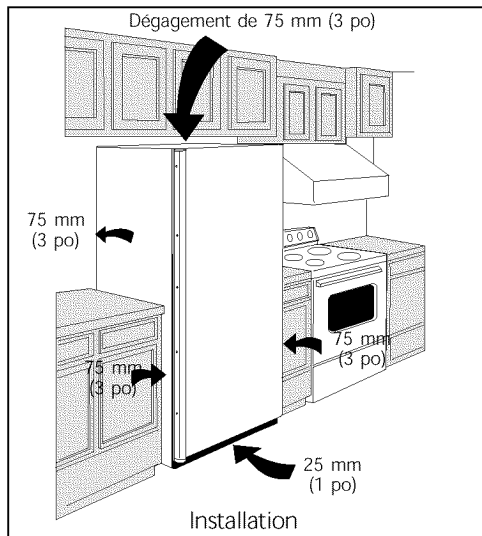
Veuillez suivre attentivement les instructions ci-dessous afin d'assurer le bon fonctionnement des mécanismes de sécurité de votre congélateur.

- **Correct électrique classement se trouve sur la plaque signalétique.** Le cordon de l'appareil est muni d'une fiche à trois broches avec mise à la terre pour éviter les décharges électrique. Elle doit être branchée directement dans une prise murale mise à la terre, à trois alvéoles, protégée d'un fusible temps-retardé à 15 ampères ou d'un interrupteur. La prise doit être installée conformément aux codes et aux règlements locaux. Consultez un électricien qualifié. Les prises avec un mise à terre fault circuit interrupteur **NE SONT PAS RECOMMANDÉES. N'utilisez PAS de cordon prolongateur ni de fiche d'adaptation.**
- Si la tension varie de 10 pour-cent ou plus, le fonctionnement de votre congélateur risque d'être affecté. L'usage de congélateur avec un courant insuffisant puisse endommager le moteur. Un tel dommage n'est pas couvert sous la garantie. Si vous soupçonnez que la tension est élevée ou basse, communiquez avec le personnel à votre compagnie d'électricité.
- Afin que le congélateur ne soit pas par accident débranché, ne le branchez pas dans une prise commandée par un interrupteur mural ou un cordon de tirage.
- Evitez absolument de pincer, tordre ou nouer le cordon d'alimentation.

⚠ AVERTISSEMENT Autres précautions

- Ne débranchez jamais le congélateur en tirant sur le cordon d'alimentation. Saisissez toujours fermement la fiche et sortez-la de la prise en tirant droit vers vous.
- En mettant l'interrupteur du congélateur en position "OFF" (ARRET), vous ne coupez pas l'alimentation des composants électriques, mais seulement celle du compresseur.

Pour bien commencer



Avant de mettre en marche votre congélateur, veuillez suivre les instructions ci-dessous:

Installation

- Placez votre congélateur près d'une prise mise à la terre.
- Placez votre congélateur à un endroit où les températures ambiantes ne dépasseront pas 43°C (110° F). Des températures inférieures à 0°C (32°F) n'affecteront pas le fonctionnement de votre appareil. L'utilisation d'un mécanisme de chauffage supplémentaire pour le compresseur n'est pas recommandée.
- Laissez un espace de 75 mm (3 pouces) de chaque côté du congélateur *pour assurer une bonne circulation de l'air.*

Mise à niveau

Les quatre coins inférieurs de congélateur doivent reposer fermement sur un plancher solide. Le plancher doit être assez résistant pour supporter le poids du congélateur rempli. **NOTE:** Il est TRÈS IMPORTANT pour votre congélateur d'être nivelé afin de fonctionner bien. Si le congélateur n'est pas nivelé pendant l'installation, la porte peut être non alignée, ne ferme pas, ou ne scelle bien, causant des problèmes de refroidir, geler, ou d'humidité.

Mise à niveau de modèle vertical:

Après avoir jeté la base de bois et les vis d'emballage, utiliser un niveau du charpentier pour niveler le congélateur du devant à le dos. Ajuster les pieds en matière plastique qui nivellent dans le devant, 1/2 bouillonne plus haut, pour que la porte ferme facilement quand elle est partiellement ouverte.

Mise à l'horizontale des modèles horizontaux:

Au besoin, ajouter des cales de métal ou de bois entre les socles des pattes et le plancher.

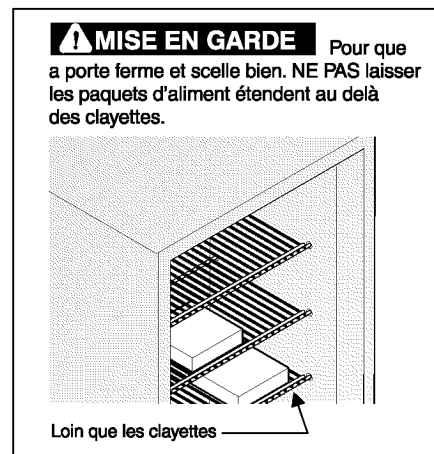
Nettoyage

- Nettoyez toutes les pièces amovibles ainsi que l'intérieur et l'extérieur du congélateur avec de l'eau tiède et un détergent doux. Séchez à l'aide d'un chiffon. **NE PAS UTILISER DE DETERGENT ABRASIF SUR CES SURFACES.**
- Pour enlever les étiquettes adhésives, n'utilisez pas de lame de rasoir ou autre instrument tranchant risquant de rayer le fini. Enlevez la colle restant à l'aide d'un mélange d'eau tiède et de détergent doux ou avec le côté adhésif de l'étiquette enlevée. **NE PAS ENLEVER LA PLAQUE SIGNALÉTIQUE.**

Dépose de la porte (modèles verticaux)

Pour enlever la porte:

1. Soulevez le couvre-charnière en plastique et rabattez-le.
2. A l'aide d'un tournevis criciforme (Phillips), desserrez puis resserrez les vis de la charnière supérieure pour que l'ensemble soit bien fixé et que la charnière ne glisse pas.
3. Enlevez la charnière supérieure et sortez la porte de l'axe de charnière inférieure.
4. Une fois la porte enlevée, enlevez les deux vis de la charnière inférieure.
5. Pour remettre la porte en place, inversez les étapes ci-dessus.



Réglage de la température

Période de refroidissement

- Pour assurer une bonne conservation des aliments, laissez le congélateur fonctionner, pendant 4 heures. Au début le congélateur fonctionne constamment et tout seul pendant quelques heures. Les aliments déjà congelés peuvent être placés dans le congélateur après quelque heures d'opération. Les aliments non-congelés ne doivent pas être placés dans le congélateur qu'après 4 heures d'opération.
- Quand vous remplissez le congélateur, congélez seulement 3 livres d'aliment frais par pied cubique d'espace du congélateur. Distribuez les paquets également dans le congélateur. Ce n'est pas nécessaire de régler le bouton de commande à "plus froid" pendant le processus de congélation.

Commande de température

La commande de température est située à l'intérieur du congélateur (modèles verticaux) ou sur la paroi extérieure gauche (modèles horizontaux). L'appareil a été pré-réglé en usine afin d'assurer une température adéquate de rangement de la nourriture. Vous pouvez toutefois régler la commande de température selon vos besoins. Si vous désirez une température plus froide, tournez le bouton de commande vers COLDEST (LE PLUS FROID) puis attendez quelques heures, afin que la température se stabilise.

Caractéristiques du congélateur

REMARQUE: Selon le modèle, votre congélateur peut n'avoir que certaines des caractéristiques énumérées ci-dessous. Prenez connaissance de ces caractéristiques et familiarisez-vous avec leur utilisation et leur entretien.

Surgélation

La surgélation vous permet de baisser la température de votre congélateur au niveau la plus bas possible en mettant le commutateur de surgélation sur "ON" (MARCHE). Choisissez ce réglage 24 heures avant de placer la nourriture dans le congélateur. Dispersez la nourriture dans tout le congélateur pour accélérer la surgélation. Pour arrêter la surgélation, mettez le commutateur sur "OFF" (ARRÊT).

Témoin de fonctionnement

Le témoin de fonctionnement indique que votre congélateur est correctement branché. Ce témoin reste allumé même lorsque la commande de température est à l'arrêt. Si le témoin s'éteint, reportez-vous à la rubrique "Le congélateur ne fonctionne pas" de la liste de contrôle anti-panne.

Alarme (sonore uniquement ou sonore avec un voyant lumineux)

L'alarme se déclenche en cas de mauvais fonctionnement de votre congélateur. En effet, si la température intérieure du congélateur augmente et atteint un niveau critique pour une longue conservation des aliments, l'alarme sonore se met en marche. En outre, sur les modèles qui en sont équipés, un voyant lumineux rouge s'allume. L'alarme fonctionne grâce à l'installation électrique domestique ; ainsi, en cas de coupure de courant, celle-ci ne se déclenche pas. Un interrupteur Marche/Arrêt ("ON/OFF") permet d'activer ou de neutraliser l'alarme. Le congélateur est livré avec l'alarme neutralisée (position "OFF"). Sur les modèles qui en sont équipés, le voyant lumineux rouge disparaît après que le congélateur ait fonctionné environ 4 heures. Vous pouvez alors mettre l'alarme en position de marche ("ON") sans que celle-ci se déclenche.

Pour activer l'alarme, il suffit d'enfoncer la gomme située en bout d'un crayon à papier ou une clé de congélateur dans l'orifice désigné par "ON". Pour désactiver l'alarme, il suffit de presser l'interrupteur marqué "OFF".

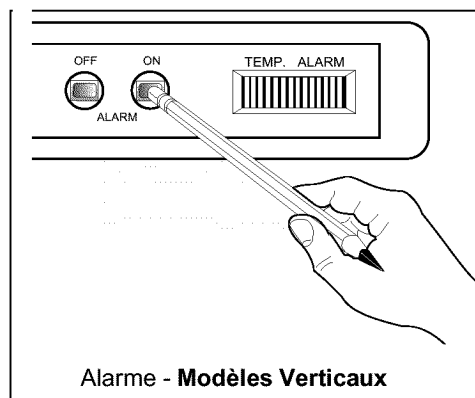
Si l'alarme se déclenche, assurez-vous que le congélateur est de niveau, et que la porte est correctement fermée. Si vous suspectez un mauvais fonctionnement de l'appareil, appelez immédiatement un réparateur qualifié.

Panier coulissant (modèles verticaux)

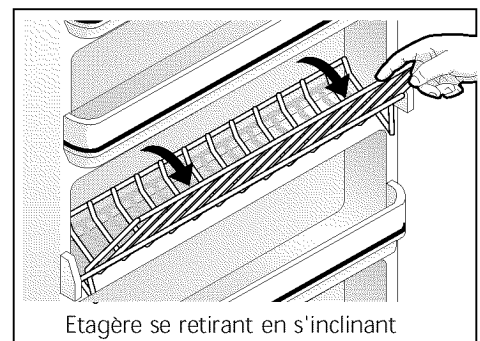
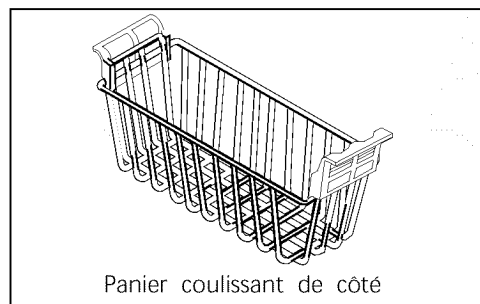
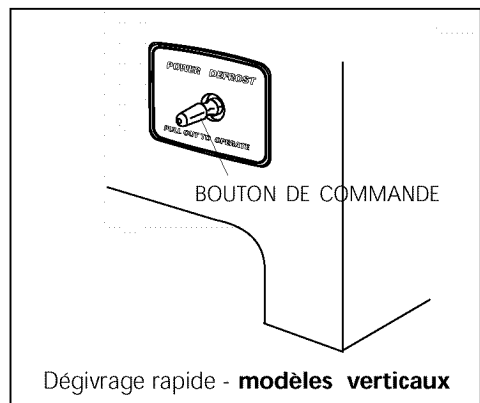
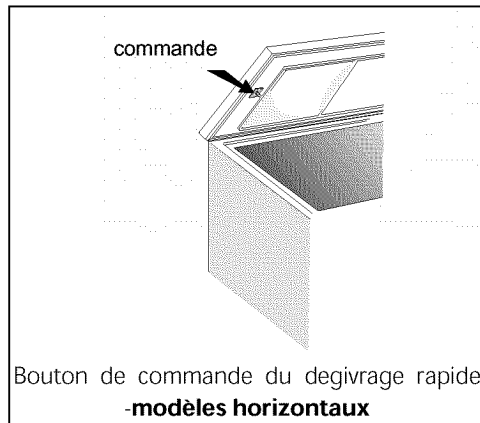
Le panier amovible situé au fond du congélateur vous permet de stocker séparément les aliments difficiles à placer sur les étagères du congélateur. Pour enlever le panier du congélateur, soulevez le puis retirez-le.

Étagère à jus de fruit (modèles verticaux)

L'étagère à jus de fruit dans la porte du congélateur est conçue tout spécialement pour le rangement des boîtes de jus de fruit congelé, les empêchant de rouler hors de l'étagère.



Caractéristiques du congélateur (suite)



Serrure de sécurité à ressort

La serrure de sécurité permet la fermeture hermétique de votre congélateur et donc une parfaite conservation des aliments qui y sont contenus. Pour verrouiller ou déverrouiller le congélateur, enfoncez la clé dans la serrure et tournez-la. La clé sort automatiquement de la serrure une fois qu'elle a été tournée.

Éclairage intérieur

La lampe s'allume automatiquement à l'ouverture de la porte. Pour remplacer l'ampoule, tournez la commande de température sur «OFF» (Arrêt) et débranchez le cordon d'alimentation. Remplacez l'ampoule par une autre de même puissance.

Clayette ajustable (sur les modèles verticaux)

La clayette ajustable peut être placée à deux niveaux différents. Soulevez la clayette puis retirez-la du congélateur pour la placer à l'endroit désiré.

Dégivrage rapide

Le dégivrage rapide sert à dégivrer le congélateur pendant la fraction de temps normalement nécessaire. Pour dégivrer, **videz le congélateur complètement**, et poursuivez ces instructions:

1. Tirez sur le bouton de la commande de dégivrage rapide. Laissez la porte ouverte lors du dégivrage. (La fermeture de la porte du congélateur enfonce le poussoir et stoppe le dégivrage rapide.)
2. Appuyez sur le bouton de la commande de dégivrage rapide pour remettre en marche le congélateur après le dégivrage.

Vidange de l'eau de dégivrage

Cette caractéristique de votre congélateur permet à l'eau de s'écouler lors du dégivrage et du nettoyage. Voyez la section "Dégivrage" dans le chapitre "Entretien et Nettoyage".

Panier coulissant de côté (sur les modèles horizontaux)

Ce panier permet de ranger des articles de formes diverses. Pour atteindre d'autres paquets placés dans le congélateur, faites coulisser le panier de côté ou soulevez-le.

Compartment/réservoir de vidange

Le compartiment/réservoir de vidange permet d'entreposer les aliments et sert aussi de récipient profond pour recueillir l'eau du dégivrage. Pour enlever le compartiment/réservoir de vidange du congélateur, soulevez-le et tirez-le vers vous.

Clayettes de congélation rapide (sur les modèles verticaux)

Ces clayettes comportent des serpentins de refroidissement pour congeler rapidement et permettre à l'air froid de circuler en continu dans le congélateur. Ne vous servez pas d'objet métallique pointu comme des pics à glace ou des grattoirs pour nettoyer ces clayettes. Vous risqueriez de les endommager et de réduire leur capacité à refroidir. Ces clayettes ne sont pas réglables.

Etagère se retirant en s'inclinant

Cette étagère est située à l'intérieur, sur la porte du bac à congélation et permet un rangement supplémentaire. Pour avoir accès à un article, inclinez le dessus de l'étagère "panier" vers le bas.

Panier Soulevable

Ce panier permet de ranger des articles de formes diverses. Pour atteindre d'autres paquets dans le congélateur, coulissez le panier de côté ou soulevez-le.

Entretien et nettoyage



PRÉCAUTION Les objets humides collent aux surfaces métalliques froides. Ne pas toucher ces surfaces avec les mains humides.

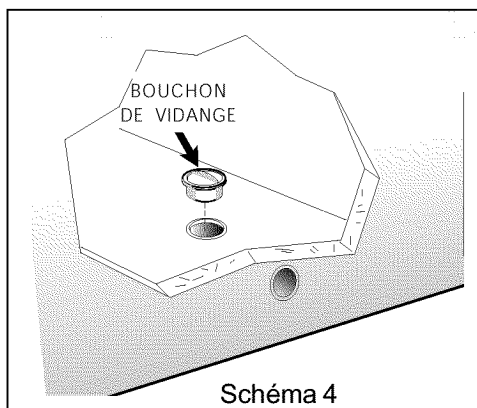
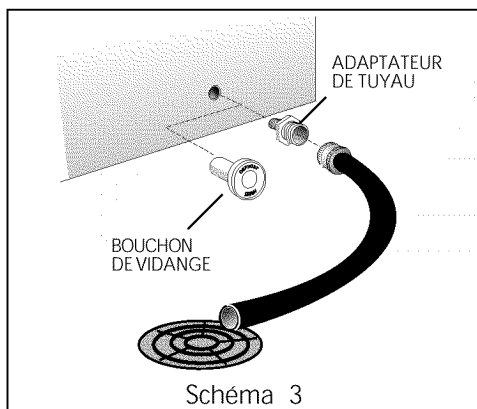
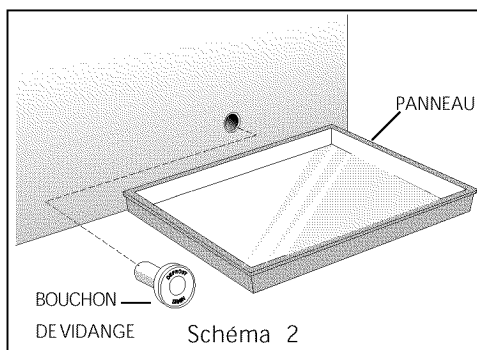
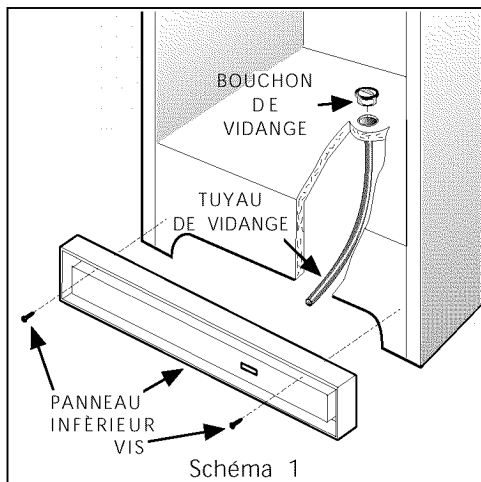
Certains congélateurs verticaux sont sans givre et se dégivrent donc automatiquement. Il faut cependant les nettoyer de temps à autre. Avant de décongeler ou de nettoyer, débranchez le cordon de la prise.

Entre les dégivrages

Pour éviter le dégivrage fréquent, enlevez de temps à autre le givre à l'aide d'un grattoir en plastique. Grattez en remontant. Ne vous servez jamais d'instrument métallique.

Entretien et nettoyage

(suite)



Dégivrage

Il est important de dégivrer et de nettoyer le congélateur dès que les parois sont recouvertes de 6 à 12 mm (1/4 à 1/2 pouce) de givre. L'ouverture de la porte ou du couvercle laisse entrer de l'air humide et tiède dans le congélateur, ce qui entraîne une accumulation plus rapide du givre sur la partie supérieure de l'appareil. Enlevez les aliments et laissez la porte ou le couvercle ouvert lors du dégivrage.

- **Sur les modèles verticaux** avec système de vidange de l'eau de dégivrage (Figure 1), enlever le bouchon de vidange au fond du congélateur en le tirant directement. Pour accéder au tuyau de vidange extérieur sur les modèles munis d'un panneau inférieur, vous devez au préalable retirer ce panneau inférieur fixé au congélateur par deux vis. Le tuyau de vidange est situé près du centre gauche sous le congélateur. Placez un récipient creux sous le tuyau de vidange. L'eau du dégivrage va s'y écouler. Vérifiez de temps à autre que l'eau ne déborde pas. Un demi-pouce adaptateur de tuyau de jardin peut être utilisé pour vidanger le congélateur directement dans un égout. Si votre modèle n'est pas équipé avec un adaptateur, celui peut être acheté à la plupart des magasins de matériel. Remettez le bouchon en place lorsque le dégivrage et le nettoyage sont terminés. Si le bouchon de vidange est resté ouvert, de l'air chaud peut entrer dans le congélateur.

- **Sur les modèles horizontaux** avec système de vidange de l'eau de dégivrage, placez un récipient creux ou le compartiment/réservoir de vidange (fourni avec certains modèles) sous l'orifice de vidange (schéma 2). Vous pouvez vidanger le congélateur directement dans un drain de plancher (schéma 3) à l'aide d'un adaptateur de tuyau de jardin de mesure 1,27 centimètre (un demi-pouce). Si votre modèle n'est pas muni d'un adaptateur, vous pouvez vous en procurer un auprès de votre quincailler. Enlevez le bouchon de vidange situé à l'intérieur du congélateur et celui situé à l'extérieur de l'appareil (schéma 4). L'eau du dégivrage va s'écouler. Vérifiez de temps à autre que l'eau ne déborde pas. Remettez en place les bouchons de vidange une fois le dégivrage terminé. Si votre modèle n'est pas muni d'un adaptateur, vous pouvez vous en procurer un auprès de votre quincailler.

- **Sur les modèles non équipés d'un tuyau de vidange**, placez des serviettes ou des journaux au fond du congélateur pour retenir le givre. Le givre va se détacher et tomber. Enlevez les serviettes et/ou les journaux.

- Si le givre n'est pas durci, enlevez-le à l'aide d'un grattoir plastique. S'il est dur et brillant, remplissez de profonds récipients avec de l'eau chaude et placez-les au fond du congélateur. Fermez le congélateur. Le givre devrait se ramollir en 15 minutes environ. Au besoin, répétez cette dernière opération.

Nettoyage de l'intérieur du congélateur

Après le dégivrage, nettoyez les surfaces internes du congélateur avec une solution composée de deux cuillères à soupe de bicarbonate de soude dans 1 litre d'eau tiède. Rincez et séchez. Essorez bien votre chiffon ou votre éponge pour nettoyer autour des commandes ou des pièces électriques.

Lavez les pièces amovibles et le joint de la porte avec une solution de bicarbonate de soude comme ci-dessus, ou du détergent doux dilué dans de l'eau tiède. Rincez et séchez. N'utilisez jamais de tampon à récurer métallique, de brosse, de produit nettoyant abrasif ou de solution alcaline sur une surface du congélateur, quelle qu'elle soit. Ne mettez pas les parties amovibles de votre congélateur dans un lave-vaisselle.

Nettoyage de l'extérieur du congélateur

Nettoyez l'extérieur de votre congélateur avec un détergent liquide doux dilué dans de l'eau tiède. Rincez bien et séchez avec un linge propre et doux. Remettez en place tous les éléments du congélateur et replacez-y les aliments.

Entretien et nettoyage

(suite)

⚠ AVERTISSEMENT

Si le congélateur est laissé ouvert pendant la durée des vacances, assurez-vous que des enfants ne puissent pas s'enfermer à l'intérieur.

Conseils de vacances et de déménagement

Vacances de courte durée: Laissez le congélateur fonctionner pendant des congés de une à trois semaines.

Vacances de longue durée: Si le congélateur n'est pas utilisé pendant plusieurs mois, enlevez tous les aliments et débranchez le cordon d'alimentation. Nettoyez et séchez l'intérieur soigneusement. Laissez la porte ou le couvercle légèrement ouvert en le bloquant au besoin, afin d'empêcher toute moisissure et odeur.

En cas de déménagement: Débranchez le cordon d'alimentation. Enlevez tous les aliments, dégivrez le congélateur et nettoyez-le. À l'aide de ruban adhésif, attachez les pièces amovibles au congélateur pour empêcher tout dommage. Dans le véhicule de déménagement, le congélateur doit être dans une position verticale et doit être calé de façon à empêcher tout mouvement. Couvrez l'extérieur du congélateur avec une couverture ou autre article similaire. Protégez aussi l'extérieur du congélateur avec une couverture, ou quelque chose semblable.

Panne de courant/ panne du congélateur

Ne pas ouvrir inutilement la porte du congélateur en cas de panne prolongée de courant ou de votre congélateur.

En cas de panne de courant, les aliments resteront congelés au moins 24 heures si le congélateur reste fermé. En cas de panne prolongée, placez trois ou quatre kilos (sept ou huit livres) de glace sèche dans le congélateur toutes les 24 heures. Cherchez dans les pages jaunes les fournisseurs de glace sèche sous les rubriques «Glace sèche», «Laiteries» ou «Fabricants de crème glacée». Portez toujours des gants et soyez prudent lors de la manipulation de glace sèche.

Si le congélateur s'est arrêté de fonctionner, reportez-vous à la rubrique "Le congélateur ne fonctionne pas" dans la liste de contrôle anti-panne. Si vous ne pouvez résoudre le problème, appelez immédiatement un réparateur qualifié.

N'ouvrez pas le congélateur inutilement. Si le congélateur ne fonctionne pas pendant plusieurs heures, suivez les instructions ci-dessus traitant de l'utilisation de glace sèche. Au besoin, apportez vos aliments dans un dépôt frigorifique local jusqu'à ce que le congélateur soit réparé. Reportez-vous à la rubrique "Entrepôts frigorifiques pour aliments congelés" des pages jaunes.

Liste de contrôle anti-panne

Avant d'appeler un réparateur, consultez cette liste. Vous pourriez ne pas perdre de temps et économiser de l'argent. Cette liste décrit les situations courantes qui ne sont causées ni par un défaut de fabrication ni par pièce défectueuse.

PROBLEME

SOLUTION

LE CONGÉLATEUR NE FONCTIONNE PAS

Ne pas brancher votre congélateur à une prise munie d'un disjoncteur de fuite à la terre. Consultez un électricien qualifié en cas de doute.

La commande de température est en position «OFF» (Arrêt). Reportez-vous à la rubrique Réglage de la commande de température.

Le congélateur n'est peut-être pas branché ou la prise mal branchée. Assurez-vous que la fiche est correctement enfoncée dans la prise électrique.

Le fusible a sauté ou le coupe-circuit s'est déclenché. Vérifiez/réenclenchez le coupe-circuit ou remplacez le fusible par un fusible de 15 A à action différée.

Panne de courant. Vérifiez les lumières de la maison. Appelez votre compagnie d'électricité.

Le congélateur se met en marche trop souvent ou trop longtemps

La température ambiante ou extérieure est élevée. Dans ces conditions, il est normal que le congélateur fonctionne davantage.

Le congélateur a récemment été débranché, et ce, pendant quelque temps. Une période de 4 heures est alors nécessaire pour que la température intérieure du congélateur se refroidisse complètement.

De grandes quantités d'aliments chauds ou tièdes ont été rangés récemment. Les aliments chauds font davantage fonctionner le congélateur, et ce jusqu'à ce que la température désirée ait été atteinte.

La porte congélateur est restée ouverte trop longtemps ou a été ouverte trop fréquemment. De l'air chaud y entre à chaque fois qu'elle est ouverte. Ouvrez la porte de votre congélateur moins souvent.

La porte du congélateur est peut-être légèrement ouverte. Reportez-vous à la rubrique "Problèmes de porte".

La commande de température est placée en position trop froide. Réglez-la afin d'atteindre une température plus élevée. Attendez plusieurs heures que la température se stabilise.

Le joint du congélateur est sale, usé, fendillé ou mal ajusté. Nettoyez-le ou remplacez-le. En cas de fuite dans le joint, le congélateur doit fonctionner plus longtemps afin de maintenir la température désirée.

Les températures à l'intérieur du congélateur sont trop basses.

La commande de température est placée en position trop froide. Réglez-la afin d'atteindre une température plus élevée. Attendez plusieurs heures que la température se stabilise.

Les températures à l'intérieur du congélateur sont trop élevées.

La commande de température est placée en position trop chaude. Réglez-la afin d'atteindre une température moins élevée. Attendez plusieurs heures que la température se stabilise.

La porte congélateur est restée ouverte trop longtemps ou a été ouverte trop fréquemment. De l'air chaud y entre à chaque fois qu'elle est ouverte. Ouvrez la porte de votre congélateur moins souvent.

La porte du congélateur est peut-être légèrement ouverte. Reportez-vous à la rubrique "Problèmes de porte".

De grandes quantités d'aliments chauds ou tièdes ont été rangés récemment. Les aliments chauds font davantage fonctionner le congélateur, et ce jusqu'à ce que la température désirée ait été atteinte.

Le congélateur a récemment été débranché, et ce, pendant quelque temps. Une période de 4 heures est alors nécessaire pour que la température intérieure du congélateur se refroidisse complètement.

La température de la surface externe est élevée.

La température de l'extérieur du congélateur peut être légèrement supérieure (30°F) à la température ambiante. Votre appareil fonctionne normalement, le compresseur permettant le transfert de l'air chaud contenu à l'intérieur du congélateur vers l'extérieur.

PROBLEMES DE BRUIT

Bruits plus élevés lorsque le congélateur est en marche.

Les congélateurs les plus récents jouissent à la fois d'une capacité de rangement supérieure et de température plus uniforme. Ils sont munis d'un compresseur à haute vitesse, que vous pouvez entendre fonctionner. Il est normal que ce compresseur fasse du bruit lorsqu'il refroidit l'intérieur du congélateur.

Bruits plus élevés lorsque le compresseur se met en marche.

Il est normal que le congélateur fonctionne à de plus hautes pressions pendant la mise en marche du cycle de refroidissement. Les bruits se stabilisent ou disparaissent alors que le congélateur continue à fonctionner.

Craquements lorsque le compresseur se met en marche.

Il est normal que les composants métalliques se dilatent et se contractent, comme les tuyaux d'eau chaude. Le bruit se stabilise ou disparaît alors que le congélateur continue à fonctionner.

PROBLEME

SOLUTION

PROBLEMES DE BRUIT (suite)

Bruits de bouillonnement semblables à de l'eau qui bout.

Le réfrigérant (utilisé pour refroidir le congélateur) circule dans le système Ceci est normal

Bruits de ferraille ou de vibration.

Le congélateur n'est pas de niveau Il oscille lorsqu'on le bouge à peine Réglez les pieds de l'appareil Reportez-vous à la partie "Mise à niveau" sous la rubrique "Pour bien commencer"

Le plancher est irrégulier ou faible Le congélateur oscille lorsqu'on le bouge à peine Assurez-vous que le plancher peut supporter le poids congélateur Mettez le congélateur à niveau en utilisant des cales en bois ou en métal

EAU/HUMIDITÉ/GIVRE À L'INTÉRIEUR DU CONGÉLATEUR

Le congélateur touche le mur Remettez le congélateur à niveau ou déplacez-le légèrement Reportez-vous à la partie "Mise à niveau" sous la rubrique "Pour bien commencer"

De la condensation se forme sur les parois intérieures

Le temps est chaud et humide, ce qui augmente l'accumulation de givre sur les parois intérieures Ceci est normal

La porte du congélateur est légèrement ouverte Reportez-vous à la rubrique "Problèmes de porte"

EAU/HUMIDITÉ/GIVRE À L'EXTÉRIEUR DU CONGÉLATEUR

Le congélateur est resté ouvert trop longtemps ou a été ouvert trop souvent Ouvrez-le moins souvent

De la condensation se forme à l'extérieur du congélateur.

La porte du congélateur est légèrement ouverte, ce qui provoque la rencontre de l'air froid venant de l'intérieur du congélateur avec l'air chaud et humide ambiant Reportez-vous à la rubrique "Problèmes de porte"

ODEUR DANS LE CONGÉLATEUR

L'intérieur du congélateur doit être nettoyé Nettoyez à l'aide d'une éponge et bicarbonate de soude dilué dans de l'eau tiède

PROBLÈMES DE PORTE

Des aliments dégageant une forte odeur ont été placés dans le congélateur Couvrez hermétiquement ces aliments

La porte ne ferme pas.

Le congélateur n'est pas de niveau Il oscille lorsqu'on le bouge à peine Ceci peut déformer votre congélateur et désaligner la porte Reportez-vous à la section "Mise à niveau" sous la rubrique "Pour bien commencer"

Le plancher est irrégulier ou faible Le congélateur oscille lorsqu'on le bouge à peine Mettez le congélateur à niveau en utilisant des cales en bois ou en métal ou renforcez le plancher

L'AMPOULE NE S'ALLUME PAS

L'ampoule est grillée Reportez-vous à la section "éclairage intérieur" sous la rubrique "caractéristiques du congélateur"

Le congélateur n'est pas alimenté par du courant Reportez-vous à la rubrique "Le congélateur ne fonctionne pas"

GARANTIE DU RÉFRIGÉRATEUR (CANADA)

Votre réfrigérateur est protégé par cette garantie

	PÉRIODE DE GARANTIE	CE QUE NOUS FERONS PAR L'ENTREMISE D'AGENTS AUTORISÉS	RESPONSABILITÉS DU CONSOMMATEUR
GARANTIE INITIALE COMPLÈTE D'UN AN	Un an à partir de la date d'achat initial.	Paierons tous les frais de réparation ou de remplacement de pièces de cet appareil, qui démontreront un défaut de matériel ou de main-d'œuvre.	Frais d'appels de service pour entretien décrit sous RESPONSABILITÉS NORMALES DU CONSOMMATEUR*
GARANTIE LIMITÉE (système scellé) ANNÉES 2 à 5 incl.	De la deuxième à la cinquième année à partir de la date d'achat initial.	Réparation ou remplacement de toute pièce du système scellé de réfrigération (compresseur, condensateur, évaporateur et tuyauterie), démontrant un défaut de matériel ou de main-d'œuvre, en fournissant la main-d'œuvre pour l'installation de telle pièce.	Frais de dépiستage et tout frais de démontage, transport et de réinstallation requis pour fin de réparation. Frais de main-d'œuvre, pièces et transport autres que ceux reliés au système scellé de réfrigération.
GARANTIE LIMITÉE (compresseur seulement) ANNÉES 6 à 10 incl.	De la sixième à la dixième année à partir de la date d'achat initial	Fourniture d'un compresseur de remplacement pour tout compresseur démontrant un défaut de matériel ou de fabrication.	Frais de dépiستage et tout frais de démontage, transport et de réinstallation requis pour fin de réparation. Frais de main-d'œuvre, pièces et transport autres que le coût du remplacement lui-même.
GARANTIE LIMITÉE (Applicable à l'état d'Alaska)	Périodes mentionnées ci haut.	Toutes les provisions des garanties complète et limitées ci-dessus et les exclusions décrites ci dessous s'appliquent.	Frais de déplacement du technicien au domicile, et tout frais encouru pour l'envoi et le retour de l'appareil, requis pour fin de réparation.
PLAN LIMITÉ DE TROIS ANS POUR AVARIE DE NOURRITURE	Durant les trois premières années de la date d'achat initial.	Respectant les limites stipulées sous "responsabilités normales du client" ci-dessous, s'il survient une perte de nourriture à cause d'un défaut de matériel ou de fabrication durant la période ci-mentionnée, Electrolux remboursera au consommateur la perte actuelle de nourriture par avarie excédant \$5.00 par incident, tout en n'excédant pas un maximum cumulatif de \$100.00 si les pertes de nourritures sont : A. Rapportées et la nourriture montrée à n'importe lequel des agents de service Electrolux autorisés dans les 24 heures suivant la découverte de la perte. B. Ne sont pas causées soit par un débranchement manuel de l'alimentation électrique aux prémices du propriétaire ou par une panne générale. C. Se produisent même si le propriétaire a fait preuve de diligence et a pris des précautions raisonnables pour préserver la nourriture selon les suggestions fournies avec l'appareil.	

Votre appareil est garanti par les Electrolux Home Products d'Amérique du Nord, une filiale de WCI Canada Inc. Nous n'autorisant aucune personne à modifier ou à ajouter quelle qu'obligation que ce soit à cette garantie. Nos obligations concernant les réparations ou les pièces couvertes par cette garantie doivent être effectuées par Electrolux Home Products d'Amérique du Nord ou par un préposé à l'entretien autorisé de Electrolux Home Products d'Amérique du Nord.

***RESPONSABILITÉS NORMALES DU CLIENT** Cette garantie s'applique uniquement aux produits utilisés à des fins domestiques et le client est responsable pour les items inclus dans la liste ci-dessous :

1. Une utilisation appropriée de l'appareil conformément aux instructions fournies avec le produit.
2. Une installation appropriée par un préposé à l'entretien autorisé conformément aux instructions fournies avec l'appareil et à tous les codes locaux de plomberie, d'électricité et/ou de gaz.
3. Un branchement approprié à une prise de courant avec mise à la terre et à une tension suffisante, ainsi que le remplacement des fusibles grillés, la réparation des branchements défaits ou défectueux.
4. Les coûts pour rendre l'appareil accessible pour les réparations, comme la dépose de garnitures, d'armoires, d'étagères, etc., qui ne faisaient pas partie de l'appareil à sa sortie de l'usine.
5. Les dommages au fini après l'installation.
6. Le remplacement des ampoules électriques et/ou des tubes fluorescents (sur les modèles qui présentent ces caractéristiques).

EXCLUSIONS Cette garantie ne couvre pas :

1. LES DOMMAGES INDIRECTS OU CONSÉCUTIFS, COMME LES DOMMAGES À LA PROPRIÉTÉ OU LES FRAIS CONSÉCUTIFS RÉSULTANT D'UN MANQUEMENT DE QUELLE QUE NATURE QUE CE SOIT DE CETTE GARANTIE ÉCRITE OU DE TOUTE AUTRE GARANTIE IMPLICITE
REMARQUE : Certains états ou provinces ne permettent pas l'exclusion ou la limitation des dommages indirects ou consécutifs, il est donc possible que cette limitation ne s'applique pas à votre cas.
2. Les appels de service non reliés à un mauvais fonctionnement ou à une défaillance de matériaux ou de fabrication ou pour les appareils qui ne servent pas à des fins domestiques. Le client devra assumer les frais de ces appels de service.
3. Les dommages causés par un entretien effectué par un préposé non autorisé par Electrolux Home Products d'Amérique du Nord; l'utilisation de pièces autres que les pièces authentiques de Electrolux Home Products ou obtenues par une personne autre qu'un préposé autorisé ou encore des causes extérieures comme une utilisation abusive, un mauvais usage, une alimentation électrique inadéquate ou une catastrophe naturelle.
4. Les produits dont les numéros de série d'origine ont été enlevés ou effacés et qui ne peuvent être lus.

SI VOUS AVEZ BESOIN DE SERVICE Garder votre facture, le bordereau de livraison ou toute autre preuve de versement effectué. La date de la facture indique le début de la période de garantie dans l'éventualité où une réparation serait requise. Il est dans votre intérêt de demander et de conserver tous les reçus. Cette garantie écrite vous donne des droits légaux spécifiques. Il est possible que vous ayez également d'autres droits qui varient selon les régions. Les services couverts par cette garantie doivent être obtenus en contactant Electrolux Home Products :

Votre appareil est garanti par les Electrolux Home Products d'Amérique du Nord, une filiale de WCI Canada Inc. Les caractéristiques du produit décrites ou illustrées sont sujettes à des modifications sans préavis.

Canada
866•294•9911
Electrolux Home Products North America
6150 McLaughlin Road
Mississauga, Ontario
L5R 4C2