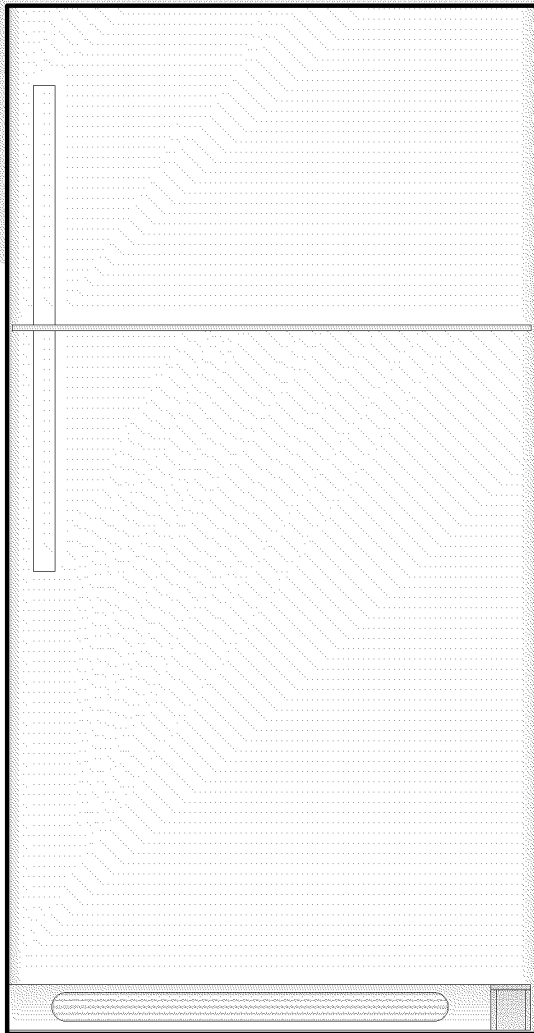















Use & Care Manual

Top Mount Refrigerator



Español 23
Français 45

Welcome	2	
Safety Instructions	3	
Installation -- Includes Connecting Optional Ice Maker To Water Supply	4 - 5	
Door Removal & Reversal	6 - 9	
Features at a Glance	10	
Temperature Controls	11	
Looking Inside	12 - 14	
Ice Service	15	
Food Storage & Energy Saving Tips	16	
Normal Operating Sounds ..	17	
Care & Cleaning	18- 19	
Warranty	20	
Before You Call	21	



Welcome & Congratulations

Congratulations on your purchase of a new refrigerator! We here at **Electrolux Home Products** are very proud of our product and we are completely committed to providing you with the best service possible. Your satisfaction is our #1 priority.

Please read this Use & Care Manual very carefully. It contains valuable information on how to properly maintain your new refrigerator.

We know you'll enjoy your new refrigerator and **Thank You** for choosing our product. We hope you consider us for future purchases.

PLEASE READ AND SAVE THESE INSTRUCTIONS

This Use & Care Manual provides specific operating instructions for your model. Use your refrigerator only as instructed in this manual. These instructions are not meant to cover every possible condition and situation that may occur. Common sense and caution must be practiced when installing, operating and maintaining any appliance.

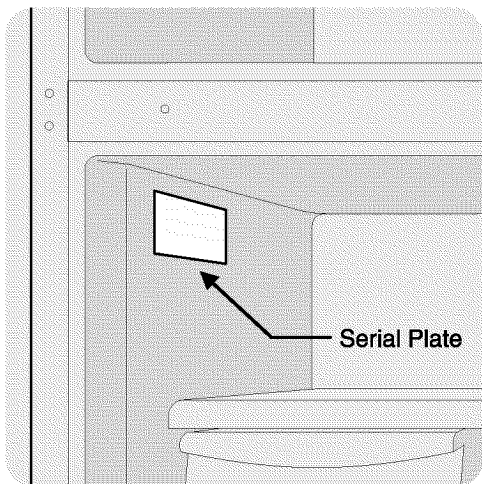
Please record your model and serial numbers below for future reference. This information is found on your serial plate located inside the refrigerator compartment.

NOTE: Use only soap and water to clean serial plate.

Model Number: _____

Serial Number: _____

Purchase Date: _____



Please complete and mail in the **Product Registration Card** included with your refrigerator.

Questions?

1-800-944-9044

(United States)

1-866-213-9397

(Canada)

Extend Your Warranty Protection With An *Extended Service Contract*

**CALL 1-800-944-9044
To Enjoy These Benefits:**

- **Total freedom from repair bills** so unexpected repairs won't upset your budget.
- **Fast, convenient toll-free service** is just a phone call away.
- **Top-quality repairs** by factory-trained experts.
- **Quick access to genuine replacement parts** so you can rest assured your refrigerator is repaired with the proper components.

Please attach sales receipt here for future reference.



Important Safety Instructions

⚠ WARNING Please Read All Instructions Before Using This Refrigerator.

FOR YOUR SAFETY

- Do not store or use gasoline, or other flammable liquids in the vicinity of this or any other appliance. Read product labels for warnings regarding flammability and other hazards.
- Do not operate the refrigerator in the presence of explosive fumes.
- Avoid contact with any moving parts of automatic ice maker.
- Remove all staples from the carton. Staples can cause severe cuts, and also destroy finishes if they come in contact with other appliances or furniture.

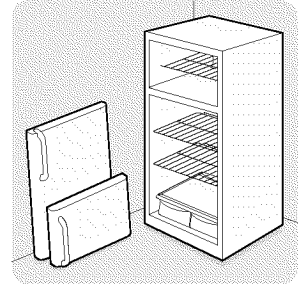
CHILD SAFETY

Destroy or recycle the carton, plastic bags, and any exterior wrapping material immediately after the refrigerator is unpacked. Children should **NEVER** use these items to play. Cartons covered with rugs, bedspreads, plastic sheets or stretch wrap may become airtight chambers, and can quickly cause suffocation.

PROPER DISPOSAL OF YOUR REFRIGERATOR OR FREEZER

Risk of child entrapment

Child entrapment and suffocation are not problems of the past. Junked or abandoned refrigerators or freezers are still dangerous – even if they will sit for “just a few days.” If you are getting rid of your old refrigerator or freezer, please follow the instructions below to help prevent accidents.



Before you throw away your old refrigerator/ freezer:

- Remove doors.
- Leave shelves in place so children may not easily climb inside.
- Have refrigerant removed by a qualified service technician.

⚠ WARNING These Guidelines Must Be Followed To Ensure That Safety Mechanisms In This Refrigerator Will Operate Properly.

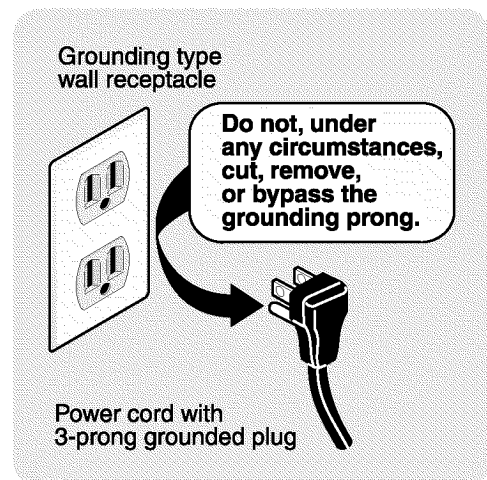
ELECTRICAL INFORMATION

- **The refrigerator must be plugged into its own dedicated 115 Volt, 60 Hz., AC only electric outlet.** The power cord of the appliance is equipped with a three-prong grounding plug for your protection against electrical shock hazards. It must be plugged directly into a properly grounded three-prong receptacle. The receptacle must be installed in accordance with local codes and ordinances. Consult a qualified electrician.

Do not use an extension cord or adapter plug.

- Immediately repair or replace any power cord that becomes frayed or damaged.
- Never unplug the refrigerator by pulling on the power cord. Always grip the plug firmly, and pull straight out from the receptacle to prevent damaging the power cord.
- Unplug the refrigerator before cleaning and before replacing a light bulb to avoid electrical shock.
- Performance may be affected if the voltage varies by 10% or more. Operating the refrigerator with insufficient power can damage the compressor. Such damage is not covered under your warranty.
- Do not plug the unit into an outlet controlled by a wall switch or pull cord to prevent the refrigerator from being turned off accidentally.
- Avoid connecting refrigerator to a Ground Fault Interruptor (GFI) circuit.

NOTE: Turning the refrigerator temperature control to “0” turns off the compressor, but does not disconnect electrical power to the light bulb or other electrical components.





Installation

This Use & Care Manual provides specific operating instructions for your model. Use the refrigerator only as instructed in this Use & Care Manual. **Before starting the refrigerator, follow these important first steps.**

LOCATION

- Choose a place that is near a grounded electrical outlet. **Do Not** use an extension cord or an adapter plug.
- If possible, place the refrigerator out of direct sunlight and away from the range, dishwasher or other heat sources.
- The refrigerator must be installed on a floor that is level and strong enough to support a fully loaded refrigerator.
- Consider water supply availability for models equipped with an automatic ice maker.

INSTALLATION

- **Do Not** install the refrigerator where the temperature will drop below 55°F (13°C) or rise above 110°F (43°C). The compressor will not be able to maintain proper temperatures inside the refrigerator.

CAUTION Do Not block the toe grille on the lower front of your refrigerator. Sufficient air circulation is essential for the proper operation of your refrigerator.

Installation Clearances

- Allow the following clearances for ease of installation, proper air circulation, and plumbing and electrical connections:

Sides & Top ----- 3/8"
 Back ----- 1"

NOTE: If you see black coils/tubing on the back of your refrigerator (air-cooled condenser) leave 3" clearance at top of refrigerator.

DOOR OPENING

NOTE: If your refrigerator is placed with the door hinge side against a wall, you may have to allow additional space so the door can be opened wider.

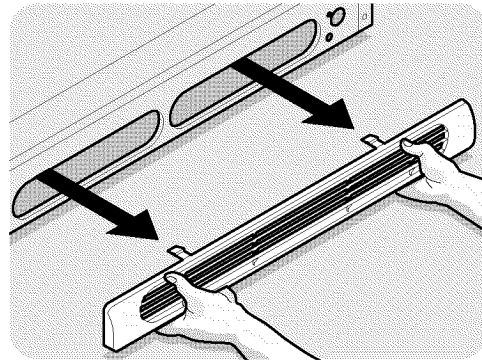
Your refrigerator should be positioned to allow easy access to a counter when removing food. To make this possible, the direction in which the doors open can be reversed. See *Door Removal & Reversal Instructions* on page 6.

LEVELING

All four corners of your refrigerator must rest firmly on a solid floor. Your refrigerator is equipped with adjustable front rollers to help level your unit.

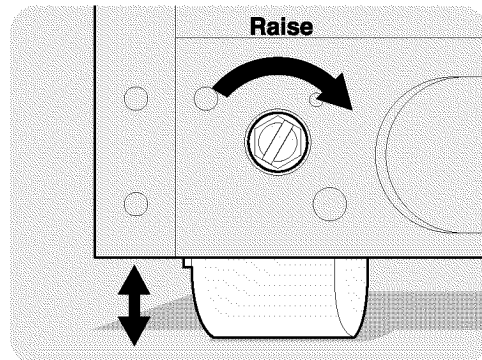
To Level Your Refrigerator:

1. Remove toe grille.



2. Use flat-blade screwdriver or 3/8" socket wrench to adjust front rollers.

NOTE: Raise the front of the refrigerator enough so the doors close freely when opened halfway. The refrigerator should slope 1/4" to 1/2" from front-to-back. Then level the refrigerator from side to side.





Installation - Connecting Optional Ice Maker To Water Supply

⚠ WARNING To avoid electric shock, which can cause death or severe personal injury, disconnect the refrigerator from electrical power before connecting a water supply line to the refrigerator.

⚠ CAUTION To Avoid Property Damage:

- **Copper tubing is recommended for the water supply line. Water supply tubing made of ¼" plastic is not recommended since it greatly increases the potential for water leaks. Manufacturer will not be responsible for any damage if plastic tubing is used for supply line.**
- **DO NOT** install water supply tubing in areas where temperatures fall below freezing.
- **Chemicals from a malfunctioning softener can damage the ice maker. If the ice maker is connected to soft water, ensure that the softener is maintained and working properly.**

IMPORTANT: Ensure that your water supply line connections comply with all local plumbing codes.

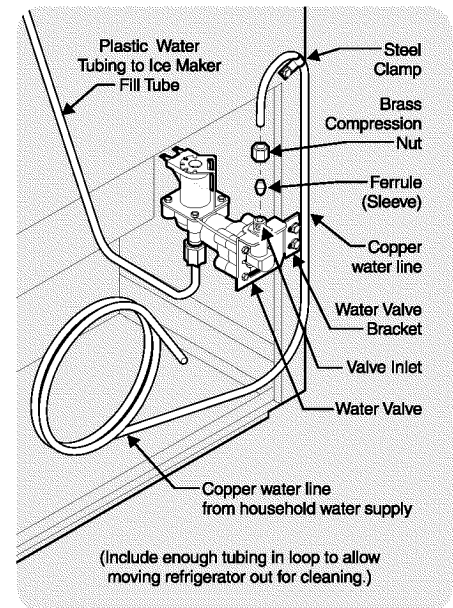
Before Installing The Water Supply Line, You Will Need

- **Basic Tools:** adjustable wrench, flat-blade screwdriver, and Phillips™ screwdriver
- Access to a household cold water line with water pressure between 20 and 120 psi.
- A water supply line made of ¼ inch (6.4 mm) OD, copper tubing. To determine the length of copper tubing needed, you will need to measure the distance from the ice maker inlet valve at the back of the refrigerator to your cold water pipe. Then add approximately 7 feet (2.1 meters), so the refrigerator can be moved out for cleaning (as shown).
- A shutoff valve to connect the water supply line to your household water system. **DO NOT** use a self-piercing type shutoff valve.
- A compression nut and ferrule (sleeve) for connecting the water supply line to the ice maker inlet valve.

NOTE: Water line kit number 5303917950, available from your appliance dealer at additional cost, contains 25 feet (7.6 meters) of ¼ inch OD copper tubing, a saddle type shutoff valve (nonpiercing), (2) ¼ inch brass compression nuts, (2) ferrules/sleeves, and instructions for installing a water supply line.

To Connect Water Supply Line To Ice Maker Inlet Valve

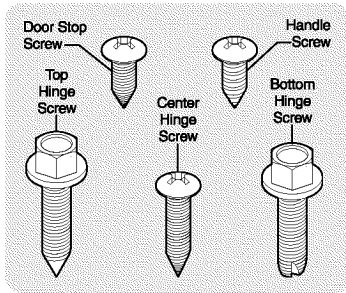
1. Disconnect refrigerator from electric power source.
2. Place end of water supply line into sink or bucket. Turn ON water supply and flush supply line until water is clear. Turn OFF water supply at shut off valve.
3. Unscrew plastic cap from water valve inlet and discard cap.
4. Slide brass compression nut, then ferrule (sleeve) onto water supply line, as shown.
5. Push water supply line into water valve inlet as far as it will go (¼ inch). Slide ferrule (sleeve) into valve inlet and finger tighten compression nut onto valve. Tighten another half turn with a wrench; **DO NOT** over tighten.
6. With steel clamp and screw, secure water supply line to rear panel of refrigerator as shown.
7. Coil excess water supply line (about 2½ turns) behind refrigerator as shown and arrange coils so they do not vibrate or wear against any other surface.
8. Turn ON water supply at shutoff valve and tighten any connections that leak.
9. Reconnect refrigerator to electrical power source.
10. To turn ice maker on, lower wire signal arm (see ice maker front cover for ON/OFF position of arm).



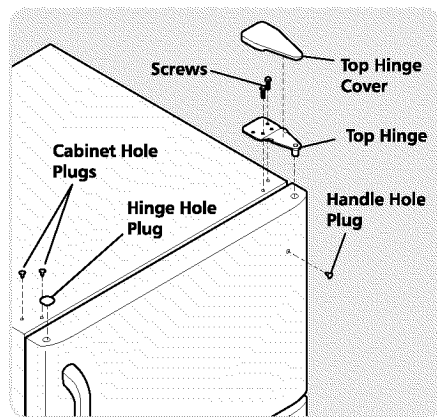
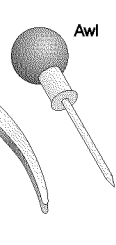
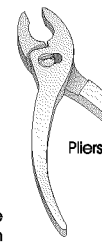
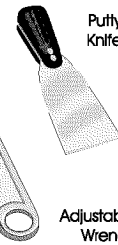
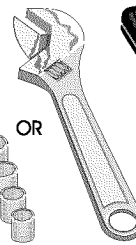
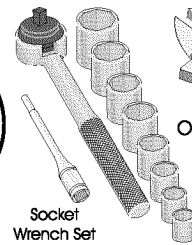
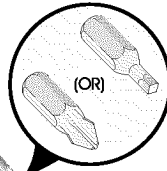
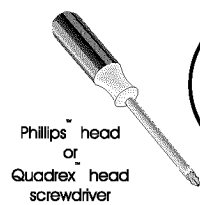
IMPORTANT: It takes approximately 24 hours for the ice maker to begin producing ice. Air in new plumbing lines may cause ice maker to cycle two or three times before making a full tray of ice. New plumbing may cause ice to be discolored or have poor flavor. Discard ice made during the first 24 hours.



Door Removal and Reversal Instructions



Tools Necessary:

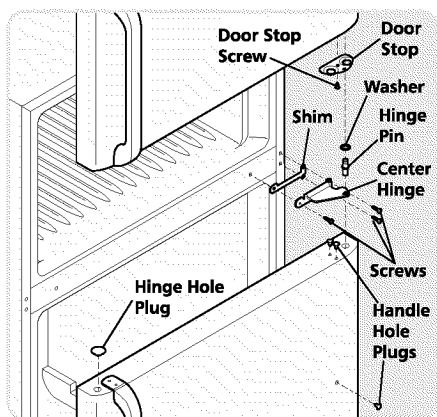


DOOR REMOVAL AND REVERSAL INSTRUCTIONS:

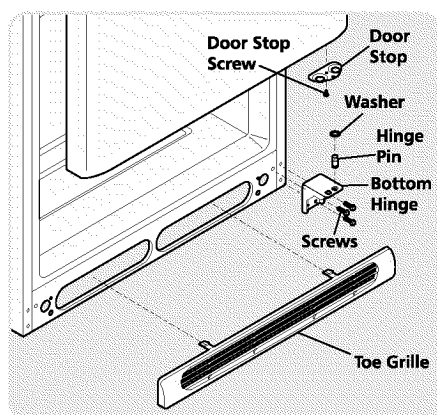
NOTE: If you have stainless steel doors – go to the *Removing Stainless Steel Doors and Handles* Section on page 9.

NOTE: The direction in which your refrigerator doors open (door swing) can be reversed, from left to right or right to left, by moving the door hinges from one side to the other. Reversing the door swing should be performed by a qualified person.

IMPORTANT: Before you begin, turn the refrigerator temperature control to “0” and remove the electrical power cord from the wall outlet. Remove any food from door shelves.



1. Remove toe grille and top hinge cover.
2. Remove top hinge with 3/8" hex driver and lift freezer door off of center hinge pin. Set door aside.
3. Unscrew center hinge pin using adjustable wrench and save for reassembly. Ensure plastic washer stays on hinge pin.
4. Lift refrigerator door off of bottom hinge and set aside.
5. Remove center hinge and shim by removing inside screw and loosening two outside screws enough to allow hinge and shim to slide out. Tighten screws.
6. Loosen two outside screws on opposite side of refrigerator, remove inside screw and install center hinge.
7. Remove bottom hinge with 3/8" hex driver. Reinsert two outside screws in holes and tighten. Inside screw will go to opposite side in step 8.
8. Remove two outside screws on opposite side of refrigerator and install bottom hinge. Insert and tighten screw saved from step 7.
9. Unscrew bottom hinge pin using adjustable wrench. Move hinge pin to other hole in hinge and tighten with adjustable wrench.
10. Reverse door handles (see instructions on next page).
11. Move freezer and refrigerator door stops to opposite side. Before starting screws, use an awl to puncture the foam.
12. Position refrigerator door onto bottom hinge pin and screw center hinge pin through center hinge into top of door. Close refrigerator door to help align hinge hole.
13. Tighten center hinge pin with adjustable wrench.
14. Remove cabinet and hinge hole plugs and move to opposite side.
15. Lower freezer door onto center hinge pin.
16. Close freezer door. Have an assistant lift up on opposite side of door while tightening screws to install top hinge.
17. Replace toe grille and top hinge cover.
18. Plug in electrical power cord and turn refrigerator temperature control to center position. Adjust setting as necessary.





Door Removal and Reversal Instructions (continued)

NOTE: Some models have “pocket” handles, which are recessed into the sides of the door. On these models, only the hinges will need to be reversed.

TO REMOVE FREEZER HANDLE:

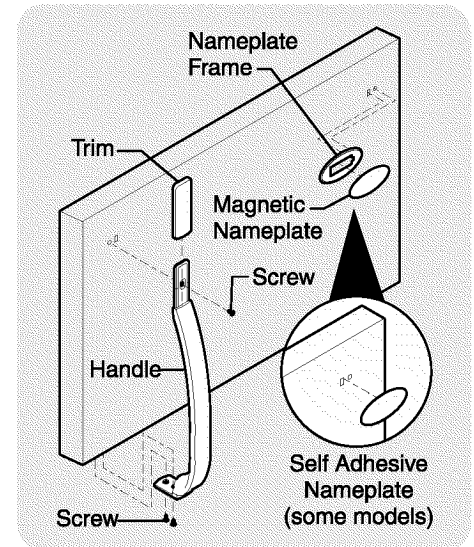
(Handles may be easier to reverse while doors are off.)

1. Remove two screws attaching handle to bottom of freezer door.
2. Remove short trim piece by sliding trim straight up and off of handle bracket.
3. Remove screw attaching top of handle to door.
4. **Magnetic Nameplate Models:** Gently pry magnetic nameplate frame from door. Remove nameplate from its frame, turn frame upside down and install in old handle holes. Insert magnetic nameplate into frame.

Self-Adhesive Nameplate Models: Gently peel off nameplate from door and reapply over old handle holes.

TO ATTACH FREEZER HANDLE:

1. Reinstall handle on opposite side, using same hole as nameplate.
2. Attach handle to bottom of door.
3. Slide trim piece straight down onto handle bracket.



TO REMOVE FREEZER HANDLE:

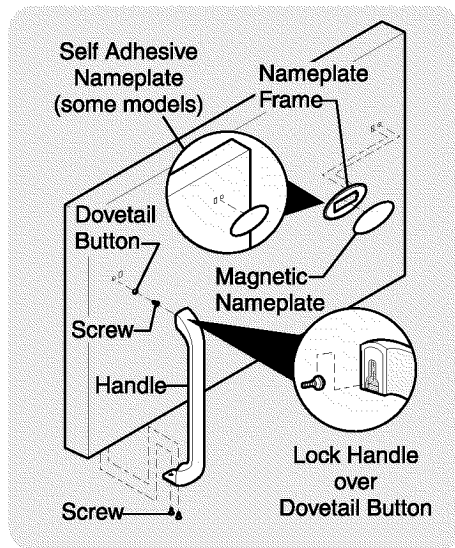
(Handles may be easier to reverse while doors are off.)

1. Remove two screws attaching handle to bottom of freezer door.
2. Swing bottom of handle away from the door and slide handle straight up and off of dovetail button.
3. Remove screw and dovetail button and install on other side, using the same holes as nameplate.
4. **Magnetic Nameplate Models:** Use putty knife to gently pry magnetic nameplate frame from door. Remove nameplate from its frame, turn frame upside down and install in old handle holes. Insert magnetic nameplate into frame.

Self-Adhesive Nameplate Models: Use putty knife to gently peel off nameplate from door and reapply over old handle holes.

TO ATTACH FREEZER HANDLE:

1. Start with handle offset away from door. Place top of handle over dovetail button, swing handle into an upright position and pull downward, locking it into place.
2. Secure bottom of handle with two screws removed earlier.



TO REMOVE FREEZER HANDLE:

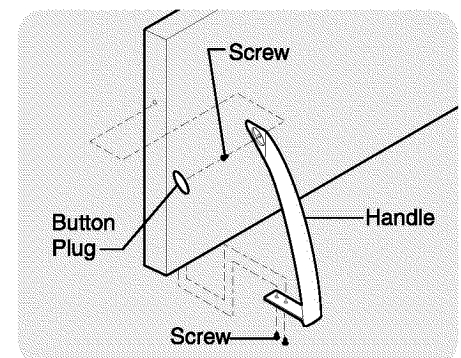
(Handles may be easier to reverse while doors are off.)

1. Remove two screws attaching handle to bottom of freezer door.
2. Remove button plug using edge of putty knife.
3. Remove screw on side of freezer door and remove handle.

TO ATTACH FREEZER HANDLE:

1. Secure side of handle to door and replace button plug.
2. Secure handle to bottom of door.

NOTE: To remove freezer handle, refer to figure 3 on page 9.





Door Removal and Reversal Instructions (continued)

TRIM REMOVAL (FULL-LENGTH TRIM MODELS ONLY)

In some models, the refrigerator door has a full length trim piece which continues from the bottom of the handle to the bottom of the door. The top of the trim attaches to the handle bracket (Figure 1) or fits around the base of the handle (Figure 2). An adhesive "trim lock" is positioned about halfway down. The bottom of the trim is held in place by either an adhesive trim lock, or a trim lock with two prongs inserted into a hole on the face of the door.

TO REMOVE TRIM:

1. Remove trim by gently pulling trim lock areas out and away from door.
2. When trim is free from door, slide the trim straight down and away from base of handle.

NOTE: For models with short handle trim, remove by sliding trim straight down and off of handle bracket.

TO REMOVE REFRIGERATOR HANDLE:

(Handles may be easier to reverse while doors are off.)

Figure 1 Style Handles

1. Remove two screws attaching handle to top of refrigerator door.
2. Remove screw attaching bottom of handle to door.
3. Remove two hole plugs and hinge pin plug on top of door and install on opposite side. Use Phillips head screwdriver to remove plastic screw plug from front of door and install on opposite side

Figure 2 Style Handles

1. Remove two screws attaching handle to top of refrigerator door.
2. Swing top of handle away from door and slide handle down and off of dovetail button.
3. Remove screw and dovetail button and install on other side, moving hole plugs from corresponding holes to opposite side.

TO ATTACH REFRIGERATOR HANDLE:

Figure 1 Style Handles

1. Secure bottom of handle with screws.
2. Secure top of handle with screws.

Figure 2 Style Handles

1. Start with handle offset away from door. Place bottom of handle over dovetail button, swing handle into an upright position and pull upward, locking it into place.
2. Secure top of handle with screws.

TO ATTACH TRIM:

1. Slide both trim locks out of trim.
2. Insert new adhesive trim locks contained in your literature pack.

NOTE: Trim lock must be removed and installed by sliding over the two donut shaped areas.

3. Install trim to handle by sliding under base of handle. Carefully align trim and press down at trim lock locations.
4. Use rubbing alcohol to remove any adhesive residue from old trim lock locations.

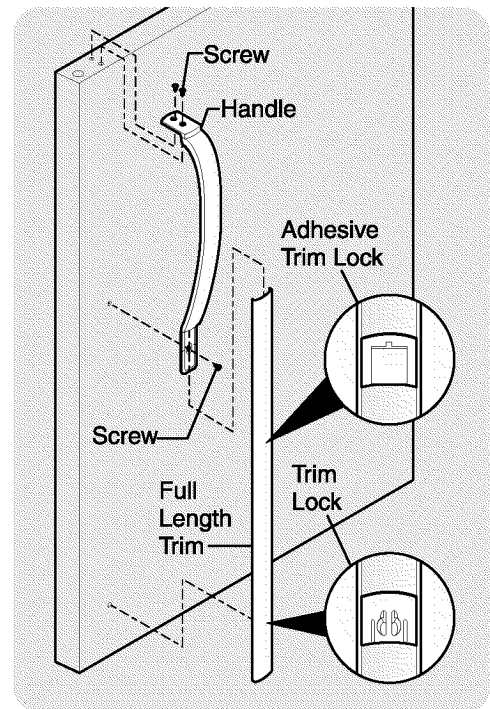


Figure 1

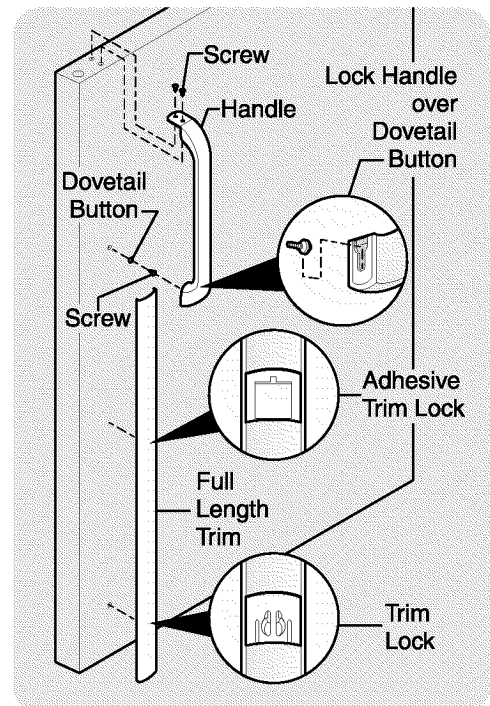


Figure 2



Door Removal and Reversal Instructions (continued)

TO REMOVE REFRIGERATOR HANDLE:

(Handles may be easier to reverse while doors are off.)

1. Remove two screws attaching handle to top of refrigerator door.
2. Remove button plug using edge of putty knife.
3. Remove screw on side of refrigerator door and remove handle.
4. Reverse freezer and refrigerator handles as shown in figure 3.

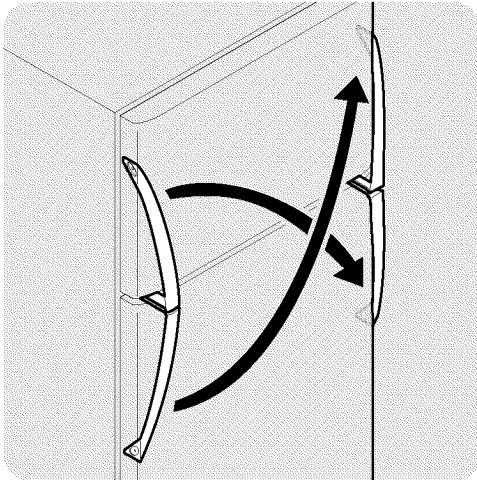
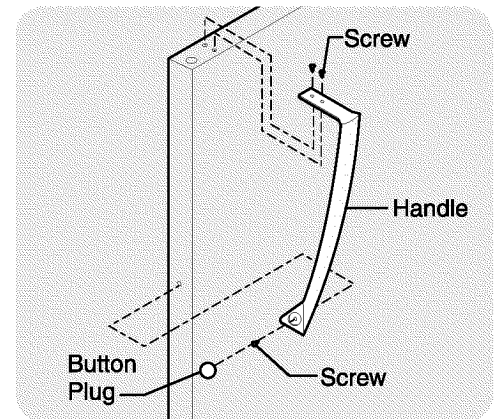


Figure 3 - Handle Reversal



Refrigerator Door Without Trim

TO ATTACH REFRIGERATOR HANDLE:

1. Secure side of handle to door and replace plug button.
2. Secure handle to top of door.

REMOVING STAINLESS STEEL DOORS AND HANDLES

CAUTION Use care when using tools near surface of stainless steel doors to avoid scratching.

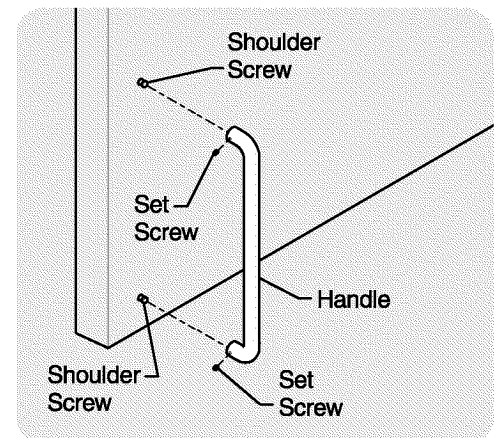
To Remove Doors

Stainless steel doors are not reversible. Follow these steps to remove doors.

1. Remove toe grille and top hinge cover.
2. Remove top hinge and lift freezer door off of center hinge pin. Set door aside.
3. Unscrew center hinge pin using adjustable wrench and save for reassembly. Ensure plastic washer stays on hinge pin.
4. Lift refrigerator door off of bottom hinge and set aside.
5. Remove center hinge and shim by removing inside screw and loosening two outside screws enough to allow hinge to slide out.
6. Remove bottom hinge. Reinsert two outside screws in holes and tighten.
7. Reverse steps 1 - 6 to reinstall doors

To Remove Handles

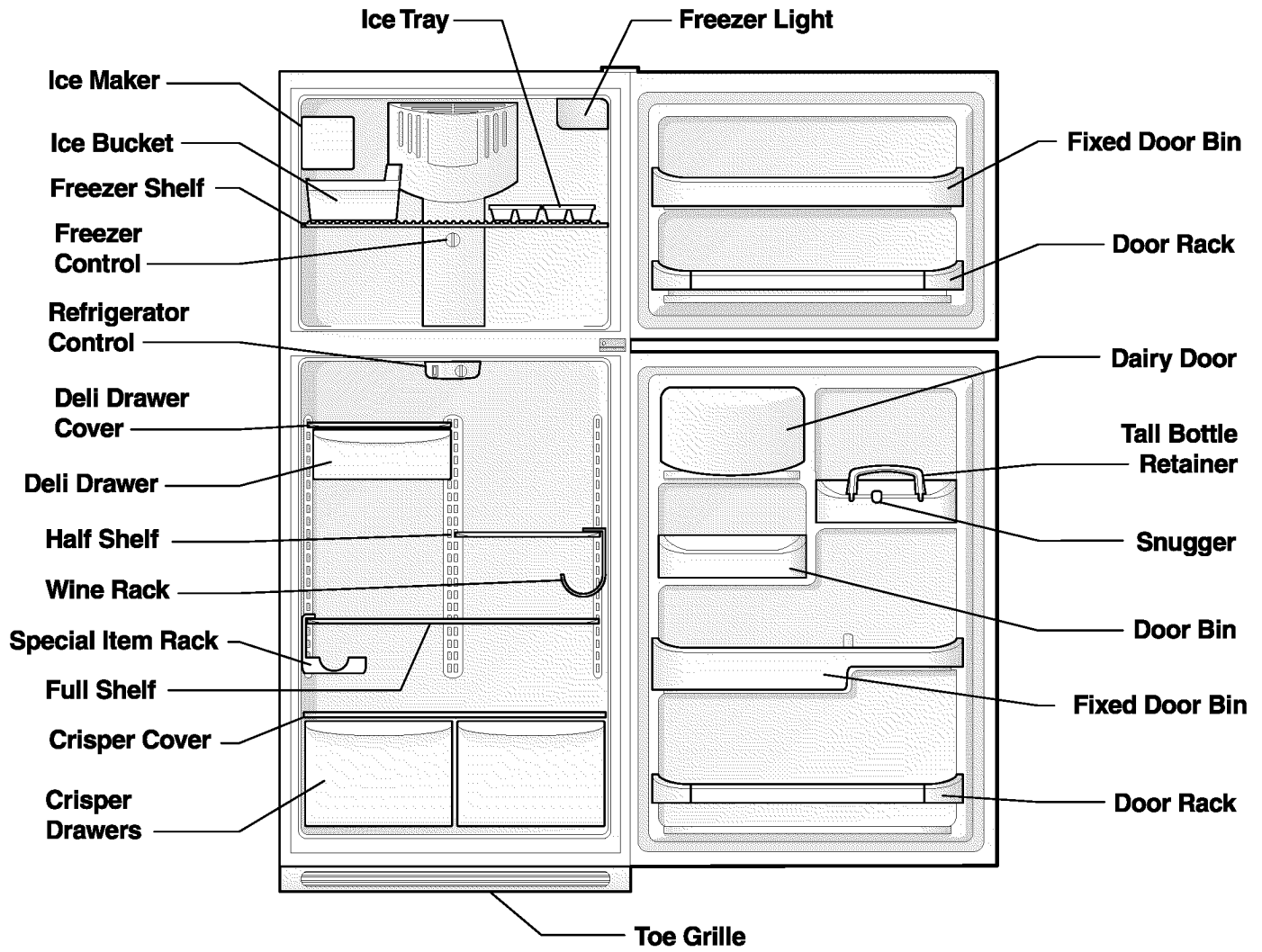
1. Firmly hold freezer handle while loosening set screws with 3/32" allen wrench. Remove freezer handle.
2. Repeat step 1 for refrigerator door.



Typical Handle



Features At A Glance



Features may vary according to model



Temperature Controls

COOL DOWN PERIOD

To ensure safe food storage, allow the refrigerator to operate with the doors closed for at least 8 to 12 hours before loading it with food.

REFRIGERATOR & FREEZER CONTROLS

NOTE: When first setting the controls or when changing a setting, wait 24 hours for the temperature to stabilize before making additional changes.

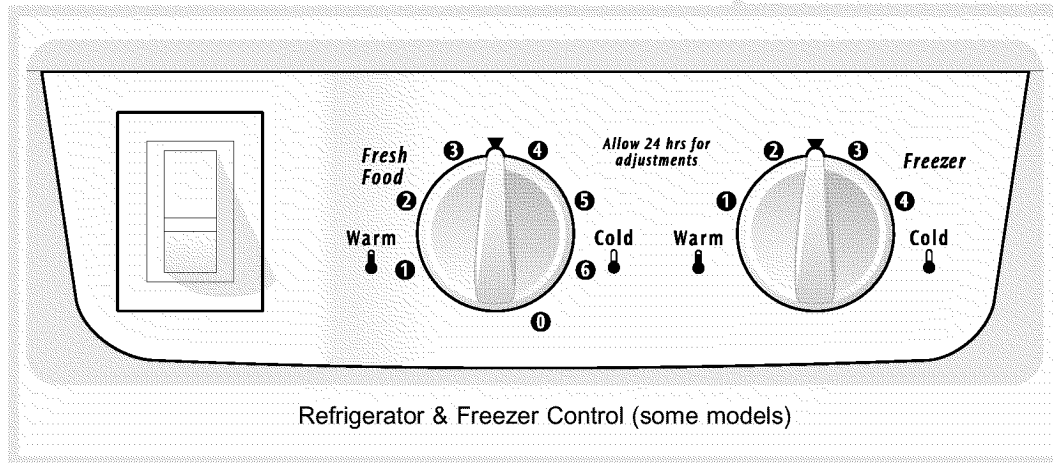
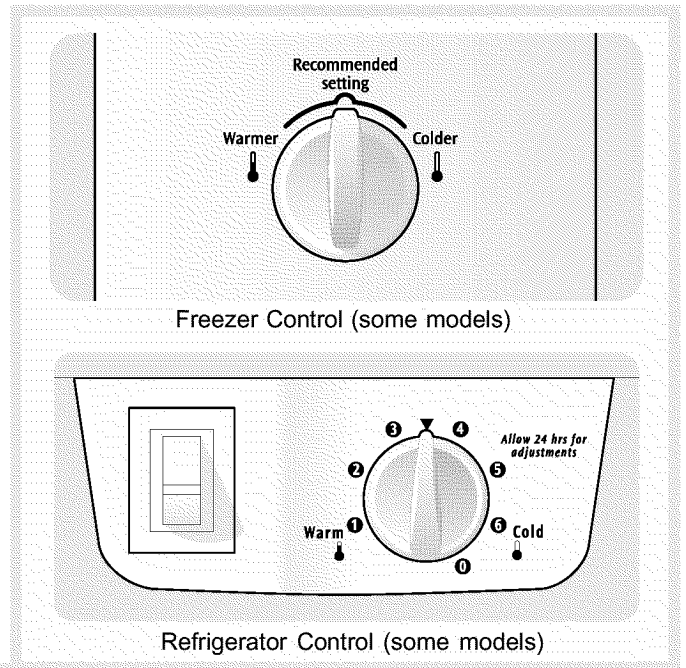
TEMPERATURE ADJUSTMENT

NOTE: When first turning refrigerator on, move refrigerator and freezer controls to ▼ which is the recommended initial setting. After 24 hours, adjust the controls as needed.

- **Adjust temperature gradually: move the knob in small increments, allowing the temperature to stabilize.**
- For colder temperatures, turn the knob towards **Cold**.
- For warmer temperatures, turn the knob towards **Warm**.

Turning the refrigerator control will change temperatures in both compartments. For example, if the refrigerator control is turned to a colder setting, the freezer control may have to be adjusted to a warmer setting. Turning the freezer control will change only the freezer temperature.

To maintain temperatures, a fan circulates air in the refrigerator and freezer compartments. For good circulation, do not block cold air vents with food items.



IMPORTANT: Turning the refrigerator temperature control to "0" turns off the compressor, but does not disconnect the power to the light bulb and other electrical components.

TEMPERATURE ADJUSTMENT GUIDE	
If Refrigerator compartment Is Too Warm	Turn Refrigerator Control Slightly Towards Cold .
If Refrigerator compartment Is Too Cold	Turn Refrigerator Control Slightly Towards Warm .
If Freezer compartment Is Too Warm	Turn Freezer Control Slightly Towards Colder .
If Freezer compartment Is Too Cold	Turn Freezer Control Slightly Towards Warmer .
To Turn Refrigerator Off	Turn Refrigerator Control To 0 .



Looking Inside

CAUTION To avoid personal injury or property damage, handle tempered glass shelves carefully. Shelves may break suddenly if nicked, scratched, or exposed to sudden temperature change.

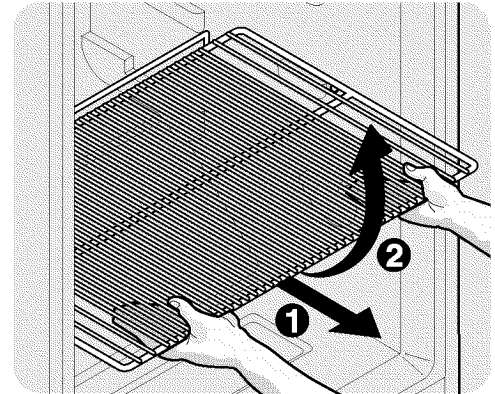
SHELF ADJUSTMENT

Refrigerator shelves are easily adjusted to suit individual needs. Before adjusting the shelves, remove all food.

To adjust sliding shelves:

- 1 Remove shelf by pulling forward to stop position.
- 2 Lift front edge up and pull out.

Replace the shelf on any pair of rails by reversing this procedure.



Sliding Wire Shelf

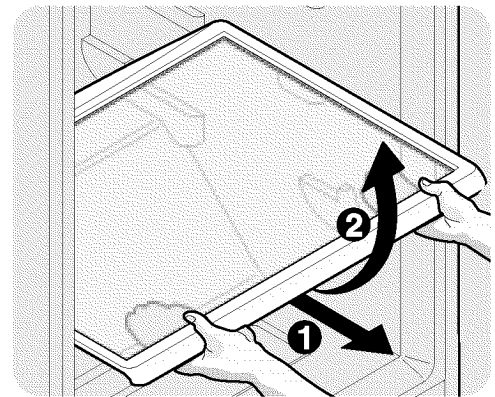
To adjust cantilever shelves:

NOTE: Cantilever shelves are supported at the back of the refrigerator. Cantilever shelves are available in either glass or wire.

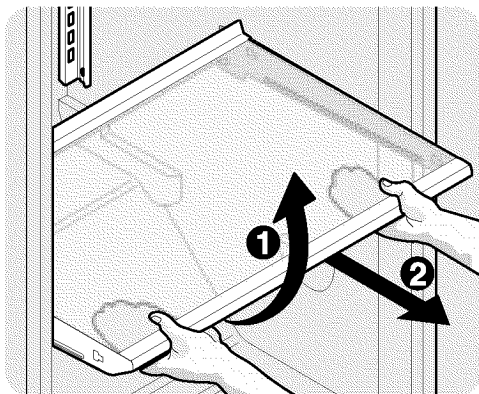
- 1 Lift front edge up.
- 2 Pull shelf out.

Replace the shelf by inserting the hooks at rear of the shelf into the wall bracket. Lower the shelf into the desired slots and lock into position.

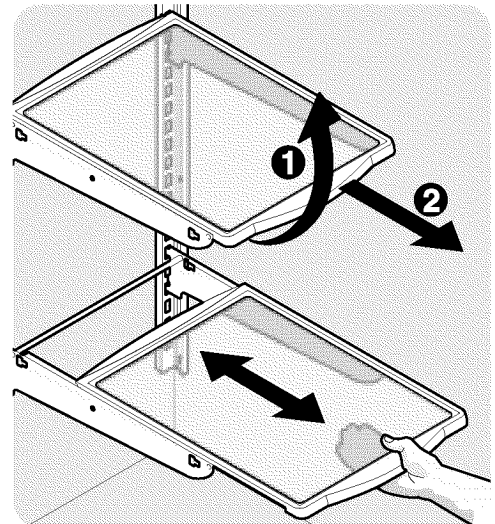
SpillSafe™ glass shelves (some models) catch and hold accidental spills. In some models, the *SpillSafe™* shelves slide out for easy access to food and for fast cleaning. The shelves slide out independently of the cantilever brackets. Just pull the front of the shelf forward. The shelf can be extended as far as the stopper will allow but it is **not** removable from the cantilever bracket.



Sliding Glass Shelf



Full Width Cantilever Glass Shelf



Cantilever Glass Shelf - Fixed and Sliding



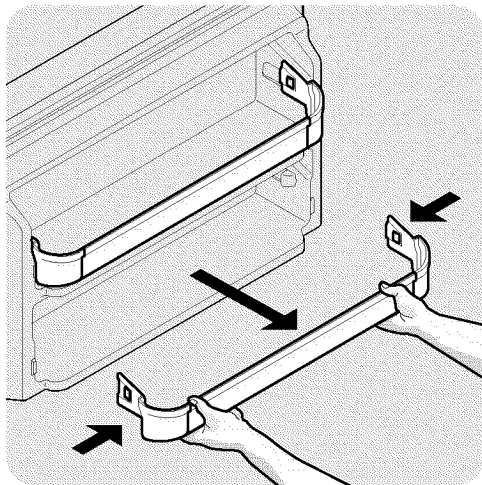
Looking Inside (continued)

DOOR STORAGE

Door bins, shelves, and racks are provided for convenient storage of jars, bottles, and cans. Frequently used items can be quickly selected.

Some models have door racks or bins that can accommodate gallon-sized plastic drink containers and economy-sized jars and containers. Some racks are adjustable for maximum storage capacity.

The dairy compartment, which is warmer than the general food storage section, is intended for short term storage of cheese, spreads, or butter.



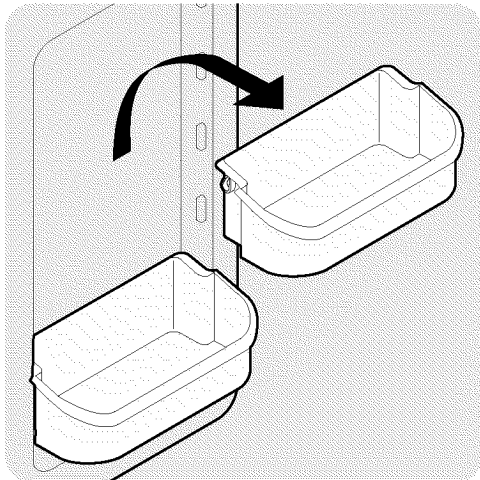
Door Rack

ADJUSTABLE DOOR BINS

Some models have adjustable door bins that can be moved to suit individual needs.

To move door bins

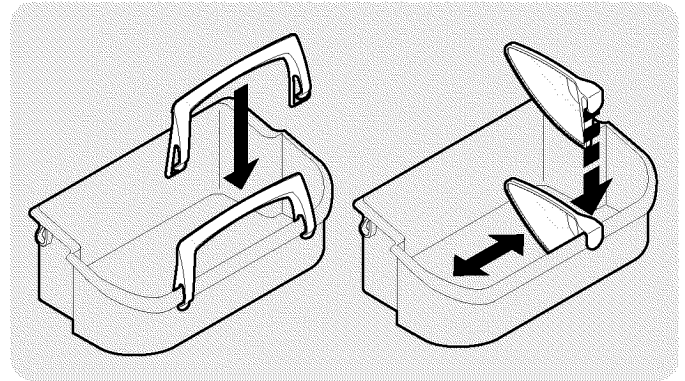
1. Lift bin straight up.
2. Remove bin.
3. Place bin in desired position.
4. Lower bin onto supports until locked in place.



Adjustable Door Bin

TALL BOTTLE RETAINER (SOME MODELS)

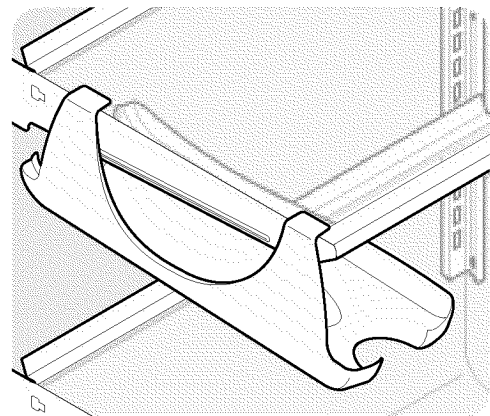
The Tall Bottle Retainer keeps tall containers in the bin from falling forward when opening or closing the refrigerator door. To install, hold the retainer at the top, and slide it over the outside wall of the bin, as shown in the diagram. The Tall Bottle Retainer works best with a Bin Snugger.



Tall Bottle Retainer (left) and Bin Snugger (right)

SPECIAL ITEM RACK (SOME MODELS)

The innovative design of the Special Item Rack allows you to store a six-pack of 12 ounce drink cans, a bottle of wine, a two-liter soft drink bottle, or a carton of eggs. The Special Item Rack mounts on the left side of your refrigerator. To install, just slide the Special Item Rack onto any shelf as shown in the drawing.



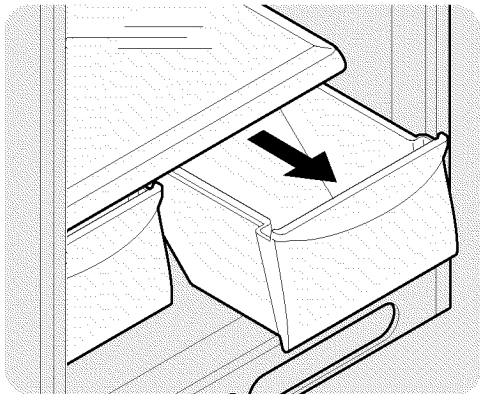
Special Item Rack



Looking Inside - (continued)

CRISPERS (SOME MODELS)

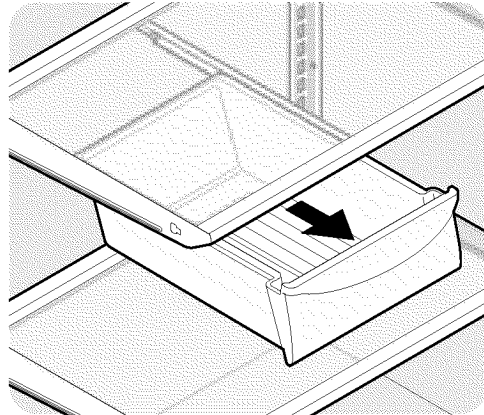
The crispers, located under the bottom refrigerator shelf, are designed for storing fruits, vegetables, and other fresh produce. Wash items in clear water and remove excess water before placing them in the crispers. Items with strong odors or high moisture content should be wrapped before storing.



Crisper Drawer

DELI DRAWER (SOME MODELS)

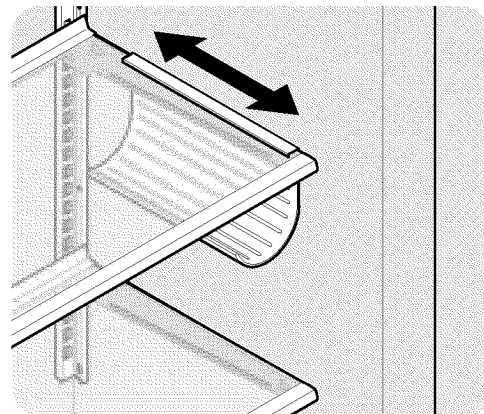
Some models are equipped with a Deli Drawer for storage of luncheon meats, spreads, cheeses, and other deli items.



Deli Drawer

WINE RACK (SOME MODELS)

The Wine Rack stores bottles of wine, or single two-liter plastic bottles of juice or soda pop. To install, slide the Wine Rack onto the shelf with the curve facing in. To remove, slide the Wine Rack out. Install on either side of shelf.

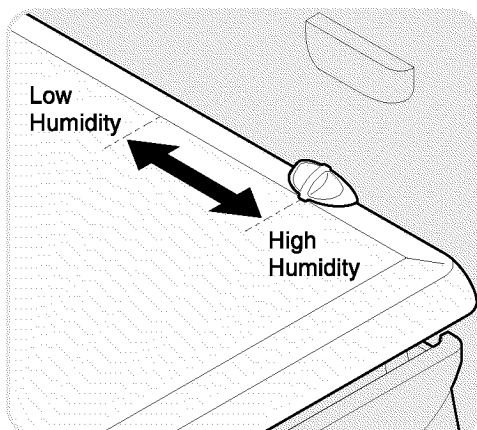


Wine Rack

HUMIDITY CONTROL (SOME MODELS)

The Humidity Control, present on some models with crisper drawers, allows you to adjust the humidity within the crisper. This can extend the life of fresh vegetables that keep best in high humidity.

NOTE: Leafy vegetables keep best when stored with the Humidity Control set on **High Humidity**, or in a drawer without a Humidity Control. This keeps incoming air to a minimum and maintains maximum moisture content.



Crisper Humidity Control



Ice Service

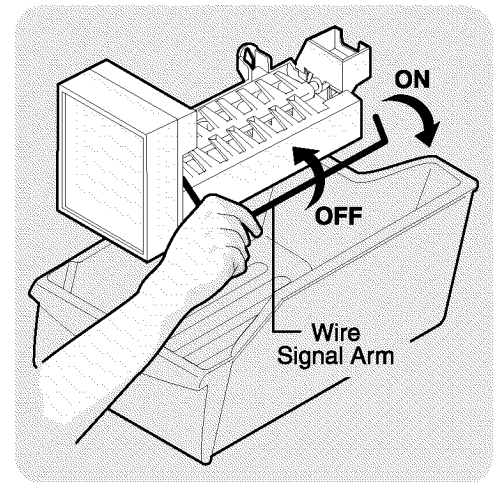
If your refrigerator has an automatic ice maker, it will provide a sufficient supply of ice for normal use. During the initial startup of your refrigerator, however, no ice will be produced during the first 24 hours of operation. Automatic ice makers are also optional accessories that may be installed in most models at any time. Call your local dealer for information.

TURNING YOUR ICE MAKER ON

After the plumbing connections have been completed, the water supply valve must be opened. Place the ice container under the ice maker, pushing it as far back as possible. Lower the wire signal arm to its “down” or ON position. New plumbing connections may cause the first production of ice cubes to be discolored or have an odd flavor. These first cubes should be discarded until the cubes produced are free of discoloration and taste.

TURNING YOUR ICE MAKER OFF

To stop the ice maker, lift the wire signal arm until it clicks and locks in the “up” or OFF position. The ice maker also turns off automatically when the ice container is full. If your model has an adjustable freezer shelf, place the shelf in the lower position, so that the wire signal arm will hit the ice when the container is full.



Ice Maker

⚠ CAUTION Chemicals from a malfunctioning softener can damage the ice maker. If the ice maker is connected to soft water, ensure that the softener is maintained and working properly.

ICE MAKER TIPS

- Ice cubes stored too long may develop an odd flavor. Empty the ice container and ensure that the wire signal arm is in its “down” or ON position. The ice maker will then produce more ice.
- Occasionally shake the ice container to keep ice separated.
- Keep the wire signal arm in its “up” or OFF position until the refrigerator is connected to the water supply or whenever the water supply is turned off.
- The following sounds are normal when the ice maker is operating:
 - Motor running
 - Ice loosening from tray
 - Ice dropping into ice container
 - Running water
 - Water valve opening or closing

NOTE: For more information on these operations, see *Normal Operating Sounds and Sights* section on page 17.

⚠ CAUTION Do Not place the ice container in your dishwasher.

- Wash the ice container in warm water with mild detergent. Rinse well and dry.
- Stop the ice maker when cleaning the freezer and during vacations.
- If the ice maker will be turned off for a long period of time, turn the water supply valve to the closed position.



Food Storage & Energy Saving Ideas

FOOD STORAGE IDEAS

Fresh Food Storage

- The fresh food compartment should be kept between 34° F and 40° F with an optimum temperature of 37° F.
- Avoid overcrowding the refrigerator shelves. This reduces the circulation of air around the food and results in uneven cooling.

Fruits and Vegetables

- Storage in the crisper drawers traps moisture to help preserve the fruit and vegetable quality for longer time periods.

Meat

- Raw meat and poultry should be wrapped securely so leakage and contamination of other foods or surfaces does not occur.

Frozen Food Storage

- The freezer compartment should be kept at 0° F or lower.
- A freezer operates most efficiently when it is at least 2/3 full.

Packaging Foods for Freezing

- To minimize dehydration and quality deterioration, use aluminum foil, freezer wrap, freezer bags or airtight containers. Force as much air out of the packages as possible and seal them tightly. Trapped air can cause food to dry out, change color, and develop an off-flavor (freezer burn).
- Wrap fresh meats and poultry with suitable freezer wrap prior to freezing.
- Do not refreeze meat that has completely thawed.

Loading the Freezer

- Avoid adding too much warm food to the freezer at one time. This overloads the freezer, slows the rate of freezing, and can raise the temperature of frozen foods.
- Leave a space between the packages, so cold air can circulate freely, allowing food to freeze as quickly as possible.
- Avoid storing hard-to-freeze foods such as ice cream and orange juice on the freezer door shelves. These foods are best stored in the freezer interior where the temperature varies less.

ENERGY SAVING IDEAS

- Locate the refrigerator in the coolest part of the room, out of direct sunlight, and away from heating ducts or registers. Do not place the refrigerator next to heat-producing appliances such as a range, oven, or dishwasher. If this is not possible, a section of cabinetry or an added layer of insulation between the two appliances will help the refrigerator operate more efficiently.
- Level the refrigerator so that the doors close tightly.
- Refer to this Use & Care Manual for the suggested temperature control settings.
- Periodic cleaning of the condenser will help the refrigerator run more efficiently. See the *Care and Cleaning Chart* on page 18.
- Do not overcrowd the refrigerator or block cold air vents. Doing so causes the refrigerator to run longer and use more energy.
- Cover foods and wipe containers dry before placing them in the refrigerator. This cuts down on moisture build-up inside the unit.
- Organize the refrigerator to reduce door openings. Remove as many items as needed at one time and close the door as soon as possible.



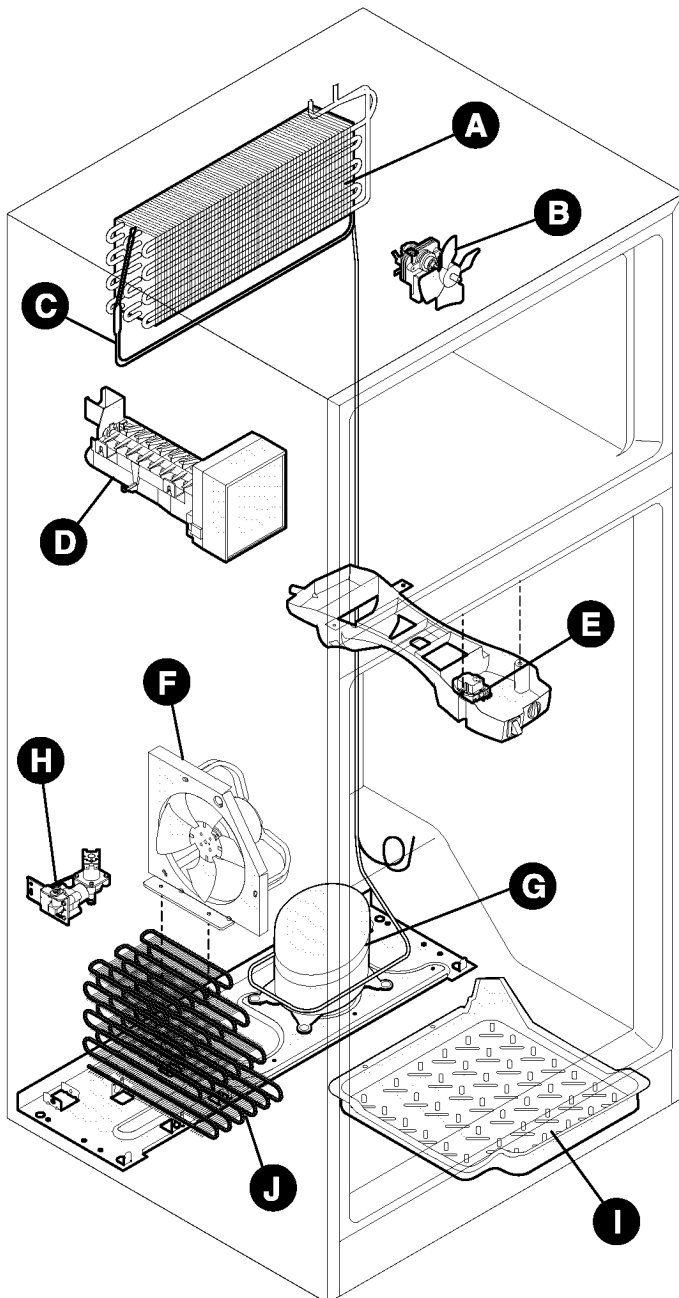


Normal Operating Sounds & Sights

UNDERSTANDING THE SOUNDS YOU MAY HEAR

Your new high-efficiency refrigerator may make unfamiliar sounds. Don't be alarmed, these are all normal sounds. Hard surfaces, such as vinyl or wood floors, walls, and kitchen cabinets may make sounds more noticeable. Listed below are descriptions of some of the most common sounds you may hear, and what is causing them.

NOTE: Rigid foam insulation is very energy efficient, but is not a sound insulator.



A. *Evaporator*

The flow of refrigerant through the evaporator may create a boiling or gurgling sound.

B. *Evaporator Fan*

You may hear air being forced through the refrigerator by the evaporator fan.

C. *Defrost Heater*

During defrost cycles, water dripping onto the defrost heater may cause a hissing or sizzling sound. After defrosting, a popping sound may occur.

IMPORTANT: During the automatic defrost cycle, you may notice a red glow in the vents on the back wall of your freezer compartment. This is normal during the defrost cycle.

D. *Automatic Ice Maker*

If your refrigerator is equipped with an automatic ice maker, you will hear ice cubes falling into the ice bin.

E. *Cold Control & Defrost Timer*

These parts can produce a snapping or clicking sound when turning the refrigerator on and off. The timer also produces sounds similar to an electric clock.

F. *Condenser Fan*

If condenser coils are located underneath your refrigerator as shown in the drawing at the left, you have a condenser fan. You may hear air being forced through the condenser by the condenser fan.

G. *Compressor*

Modern, high-efficiency compressors operate much faster than older models. The compressor may have a high-pitched hum or pulsating sound.

H. *Water Valve*

If your refrigerator is equipped with an automatic ice maker, you will hear a buzzing sound as the water valve opens to fill the ice maker during each cycle.

I. *Drain Pan (Nonremovable)*

You may hear water running into the drain pan during the defrost cycle. The drain pan will be located on top of the compressor for air-cooled condensers (black coils on back of refrigerator).

J. *Condenser Coils (Fan-cooled models only)*



Care & Cleaning

Keep your refrigerator and freezer clean to prevent odor build-up. Wipe up any spills immediately and clean both sections at least twice a year. **Never** use metallic scouring pads, brushes, abrasive cleaners or strong alkaline solutions on any surface. **Do not** wash any removable parts in a dishwasher. **Always unplug the electrical power cord from the wall outlet before cleaning.**

⚠ CAUTION

- When moving the refrigerator, pull straight out. Do not shift the refrigerator from side to side as this may tear or gouge the floor covering. If the refrigerator has an automatic ice maker, be careful not to move the refrigerator beyond the plumbing connections.
- Damp objects stick to cold metal surfaces. Do not touch refrigerated surfaces with wet or damp hands.
- To avoid damage and help the refrigerator run as efficiently as possible, clean the condenser periodically.

NOTES:

- Turning the refrigerator temperature control to "0" turns off the compressor, but does not disconnect electrical power to the light bulb or other electrical components.
- Do not use razor blades or other sharp instruments which can scratch the appliance surface when removing adhesive labels. Any glue left from tape or labels can be removed with a mixture of warm water and mild detergent, or, touch the glue residue with the sticky side of tape you have already removed. **Do not remove the serial plate.**

Care & Cleaning Chart

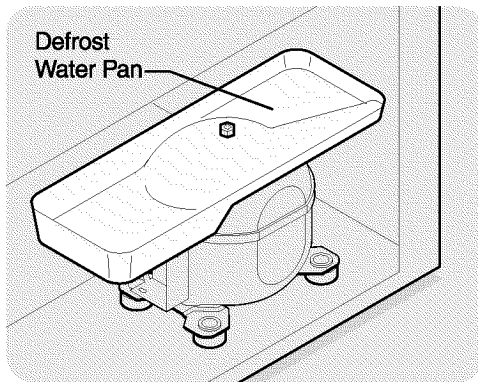
Part	What To Use	Tips and Precautions
Interior/Door Liner	<ul style="list-style-type: none"> • Soap and water • Baking soda and water 	Use 2 tablespoons of baking soda in 1 quart of warm water. Be sure to wring excess water out of sponge or cloth before cleaning around controls, light bulb or any electrical part.
Door Gaskets	<ul style="list-style-type: none"> • Soap and water 	Wipe gaskets with a clean soft cloth.
Drawers/Bins	<ul style="list-style-type: none"> • Soap and water 	Do not wash any removable items (bins, drawers, etc.) in dishwasher.
Glass Shelves	<ul style="list-style-type: none"> • Soap and water • Glass cleaner • Mild liquid sprays 	Allow glass to warm to room temperature before immersing in warm water.
Toe Grille	<ul style="list-style-type: none"> • Soap and water • Mild liquid sprays • Vacuum attachment 	Vacuum dust from front of toe grille. Remove toe grille (See illustration on page 4). Vacuum backside and wipe with sudsy cloth or sponge. Rinse and dry.
Exterior and Handles	<ul style="list-style-type: none"> • Soap and water 	Do not use commercial household cleaners, ammonia, or alcohol to clean handles.
Exterior and Handles (Stainless Steel Models Only)	<ul style="list-style-type: none"> • Soap and water • Ammonia • Stainless Steel Cleaners 	Clean stainless steel front and handles with non-abrasive soapy water and a dishcloth. Rinse with clean water and a soft cloth. Wipe stubborn spots with an ammonia-soaked paper towel, and rinse. Use a non-abrasive stainless steel cleaner. These cleaners can be purchased at most home improvement or major department stores. Always follow manufacturer's instructions. NOTE: Always clean, wipe and dry with the grain to prevent cross-grain scratching. Wash the rest of the cabinet with warm water and mild liquid detergent. Rinse well, and wipe dry with a clean soft cloth.
Condenser Coils (Fan-cooled models only)	<ul style="list-style-type: none"> • Condenser Cleaning Brush is available from your dealer. • Vacuum Cleaner 	No need to clean unless operating refrigerator under particularly dusty or greasy conditions, or if there is significant pet traffic in your home. If cleaning is necessary, remove toe grille and use extended vacuum attachment and condenser cleaning brush to remove dust build-up from condenser coils (see item "J" in illustration on page 17 for location).
Condenser Coils (Air-cooled models only)	<ul style="list-style-type: none"> • Vacuum Cleaner 	Use the dusting tool attachment on your vacuum to remove dust build-up on the condenser coils (black tubes and wires) attached to the back of air-cooled refrigerators only.
Defrost Water Pan	<ul style="list-style-type: none"> • Soap and water 	Some models have defrost water pan located on top of compressor at bottom rear of refrigerator (see illustration on next page). Wipe water pan with damp cloth. NOTE: The defrost water pan is NOT removable.



Care & Cleaning (continued)

NEVER CLEAN CONDENSER (SOME MODELS)

If your refrigerator is equipped with a Never Clean condenser, there's no need to clean the condenser under normal operating conditions. If the refrigerator is operated under particularly dusty or greasy conditions, or if there is significant pet traffic in your home, it may be necessary to periodically clean the condenser for maximum efficiency.

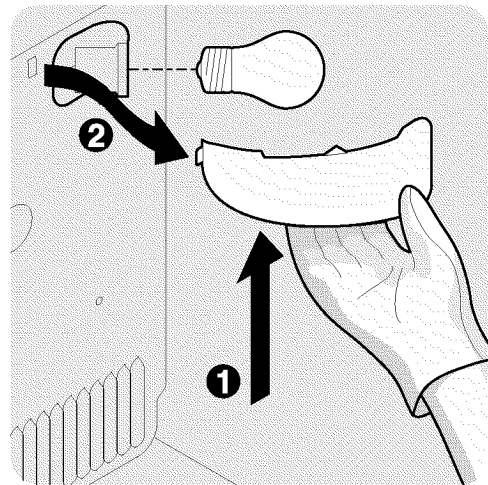


Defrost Water Pan (some models)

CAUTION Avoid cuts when replacing light bulbs, wear gloves.

REPLACING THE FREEZER LIGHT BULB (SOME MODELS)

1. Unplug refrigerator.
2. Wear gloves as protection against possible broken glass.
3. Unsnap light shield as shown.
4. Unscrew and replace old bulb with an appliance bulb of the same wattage.
5. Replace light shield.
6. Remember to plug the refrigerator back in.



Vacation and Moving Tips

Short Vacations	<ul style="list-style-type: none"> • Leave refrigerator operating during vacations of 3 weeks or less. • Use all perishable items from refrigerator compartment. • Turn automatic ice maker off, even if you will only be gone for a few days.
Long Vacations	<ul style="list-style-type: none"> • Remove all food and ice if you will be gone one month or more. • Turn controls to "0" and disconnect power. • Turn off automatic ice maker and turn water supply valve to closed position. • Clean interior thoroughly. • Leave both doors open to prevent odors and mold build-up. Block doors open if necessary.
Moving	<ul style="list-style-type: none"> • Remove all food and ice. • If using handcart, load from side. • Adjust rollers all the way up to protect them during sliding or moving. • Pad cabinet to avoid scratching surface.



Warranty Information

REFRIGERATOR WARRANTY

Your refrigerator is protected by this warranty

	WARRANTY PERIOD	THROUGH OUR AUTHORIZED SERVICERS, WE WILL:	THE CONSUMER WILL BE RESPONSIBLE FOR:
FULL ONE-YEAR WARRANTY	One year from original purchase date	Pay all costs for repairing or replacing any parts of this appliance which prove to be defective in materials or workmanship. Excludes original and replacement Ice & Water filter cartridges (if equipped). Original and replacement cartridges are warranted for 30 days (parts only).	Costs of service calls that are listed under NORMAL RESPONSIBILITIES OF THE CONSUMER. *
LIMITED 2ND-5TH YEAR WARRANTY (Cabinet Liner and Sealed System)	Second through fifth years from original purchase date	Repair or replace any parts in the cabinet liner or Sealed Refrigeration System (compressor, condenser, evaporator, drier and tubing) which prove to be defective in materials or workmanship.	Costs for pick up and delivery of the appliance required because of service. Costs for labor, parts and transportation other than with respect to the cabinet liner or Sealed Refrigeration System.
LIMITED WARRANTY (Applicable to the State of Alaska)	Time periods listed above.	All of the provisions of the full warranties above and the exclusions listed below apply.	Costs of the technician's travel to the home and any costs for pick up and delivery of the appliance required because of service.

In the U.S.A., your appliance is warranted by Electrolux Home Products North America, a division of White Consolidated Industries Inc. We authorize no person to change or add to any of our obligations under this warranty. Our obligations for service and parts under this warranty must be performed by us or an authorized Electrolux Home Products North America servicer. In Canada, your appliance is warranted by WCI Canada Inc.

*NORMAL RESPONSIBILITIES OF THE CONSUMER

This warranty applies only to products in ordinary household use, and the consumer is responsible for the items listed below:

1. Proper use of the appliance in accordance with instructions provided with the product.
2. Proper installation by an authorized servicer in accordance with instructions provided with the appliance and in accordance with all local plumbing, electrical and/or gas codes.
3. Proper connection to a grounded power supply of sufficient voltage, replacement of blown fuses, repair of loose connections or defects in house wiring.
4. Expenses for making the appliance accessible for servicing, such as removal of trim, cupboards, shelves, etc., which are not a part of the appliance when it was shipped from the factory.
5. Damages to finish after installation.
6. Replacement of light bulbs and/or fluorescent tubes (on models with these features).

EXCLUSIONS

This warranty does not cover the following:

1. CONSEQUENTIAL OR INCIDENTAL DAMAGES SUCH AS PROPERTY DAMAGE AND INCIDENTAL EXPENSES RESULTING FROM ANY BREACH OF THIS WRITTEN OR ANY IMPLIED WARRANTY.
NOTE: Some states do not allow the exclusion or limitation of incidental or consequential damages, so this limitation or exclusion may not apply to you.
2. Service calls which do not involve malfunction or defects in workmanship or material, or for appliances not in ordinary household use. The consumer shall pay for such service calls.
3. Damages caused by services performed by servicers other than Electrolux Home Products North America or its authorized servicers; use of parts other than genuine Electrolux Home Products parts; obtained from persons other than such servicers; or external causes such as abuse, misuse, inadequate power supply or acts of God.
4. Products with original serial numbers that have been removed or altered and cannot be readily determined.

IF YOU NEED SERVICE

Keep your bill of sale, delivery slip, or some other appropriate payment record. The date on the bill establishes the warranty period should service be required. If service is performed, it is in your best interest to obtain and keep all receipts. This written warranty gives you specific legal rights. You may also have other rights that vary from state to state. Service under this warranty must be obtained by contacting Electrolux Home Products:

This warranty only applies in the 50 states of the U.S.A., Puerto Rico, and Canada. Product features or specifications as described or illustrated are subject to change without notice. All warranties are made by Electrolux Home Products North America, a division of White Consolidated Industries Inc. In Canada, your appliance is warranted by WCI Canada Inc.

01-U-RE-02 (Rev. 12/2000)

USA
800-944-9044
 Electrolux Home Products North America
 P.O. Box 212378
 Augusta, GA 30917

Canada
866-213-9397
 Electrolux Home Products North America
 6150 McLaughlin Road
 Mississauga, Ontario
 L5R 4C2

ATTENTION

To Properly Install Your Refrigerator

See “Installation” Section On Pages 4-5

OR

To Reverse The Doors

See “Door Removal & Reversal” Section On Pages 6-9



Before You Call

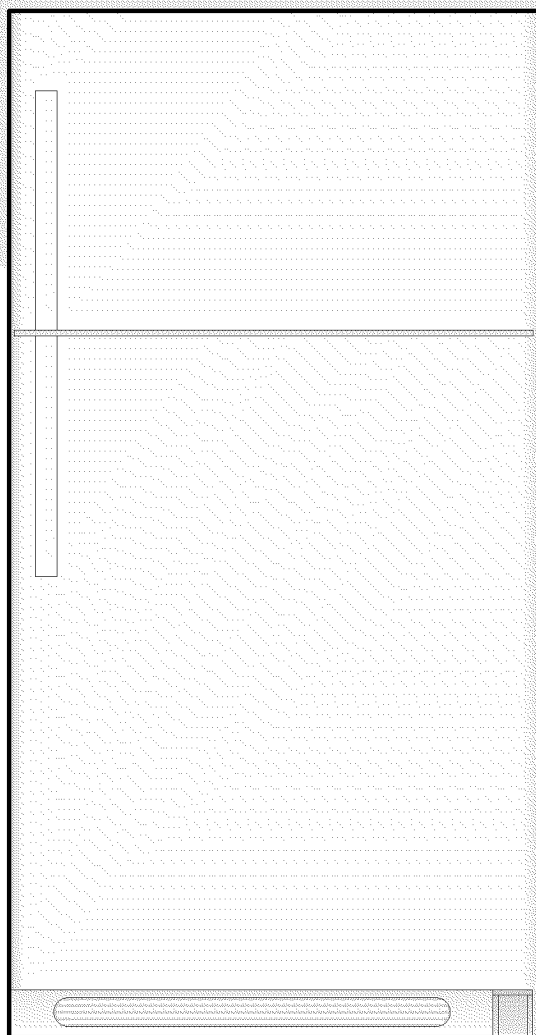
Common Occurrences	Before calling for service, review this list. It may save you time and expense. This list includes common occurrences that are not the result of defective workmanship or materials in this appliance.
Refrigerator does not run.	<ul style="list-style-type: none">• Ensure plug is tightly pushed into electrical outlet.• Check/replace fuse with a 15 amp time-delay fuse. Reset circuit breaker.• The temperature control is turned to OFF.• Refrigerator may be in defrost cycle. Wait 20 minutes and check again.
Freezer temperature too cold. Refrigerator temperature is satisfactory.	<ul style="list-style-type: none">• Set freezer control to a warmer setting until freezer temperature is satisfactory. Allow 24 hours for the temperature to stabilize.
Refrigerator temperature too cold. Freezer temperature is satisfactory.	<ul style="list-style-type: none">• Set refrigerator control to a warmer setting. Allow 24 hours for temperature to stabilize. Then check freezer temperatures and adjust as needed.
* Refrigerator is noisy or vibrates.	<ul style="list-style-type: none">• The cabinet is not level.• Floor is weak.
Odors in refrigerator.	<ul style="list-style-type: none">• Interior needs to be cleaned.• Foods that produce odors should be covered or wrapped.
Cabinet light not working.	<ul style="list-style-type: none">• Replace light bulb.• Ensure plug is tightly pushed into electrical outlet.• Light switch may be stuck. Push in light switch, located on the refrigerator control box, to release.
Automatic ice maker not working. (some models)	<ul style="list-style-type: none">• Ensure the Wire Signal Arm is not in UP position.• Ice maker should produce 4 to 5 pounds of ice in a 24 hour period.• Water supply is turned off.• Water pressure is too low.• The freezer is not cold enough.

* See Normal Operating Sounds and Sights section on page 17.














Manual de uso y cuidado

Refrigerador

Con congelador horizontal



Visite la página de
Frigidaire en Internet:
<http://www.frigidaire.com>

Bienvenido	24	
Instrucciones de seguridad	25	
Instalación -- Incluye la conexión del fabricante de hielo al suministro de agua	26 - 27	
Extracción e inversión de puertas	28 - 31	
Características a la vista	32	
Controles de temperatura ...	33	
Vista interior	34 - 36	
Fabricación de hielo	37	
Almacenamiento de alimentos y consejos para el ahorro de energía	38	
Sonidos que indican funcionamiento normal	39	
Cuidado y limpieza	40- 41	
Garantía	42	
Antes de llamar al servicio técnico	43	



Bienvenido y felicitaciones

¡Felicitaciones por la compra de su nuevo refrigerador! En **Electrolux Home Products** nos sentimos muy orgullosos de nuestro producto y nos comprometemos totalmente a brindarle el mejor servicio posible. Su satisfacción es nuestra primera prioridad.

Sírvase leer detenidamente este manual de uso y cuidado, ya que contiene información importante sobre el mantenimiento adecuado de su nuevo refrigerador.

Estamos seguros de que disfrutará su nuevo refrigerador y permítanos darle las **gracias** por preferir nuestro producto. Esperamos contar con su preferencia en futuras compras.

SÍRVASE LEER Y GUARDAR ESTAS INSTRUCCIONES

Este manual de uso y cuidado contiene instrucciones específicas para el funcionamiento de su unidad. Use el refrigerador sólo como se especifica en este manual. Estas instrucciones no pretenden abarcar todas las condiciones y situaciones que pudieran presentarse. Por favor, use el sentido común y tenga precaución al instalar, poner en funcionamiento y darle mantenimiento a cualquier electrodoméstico.

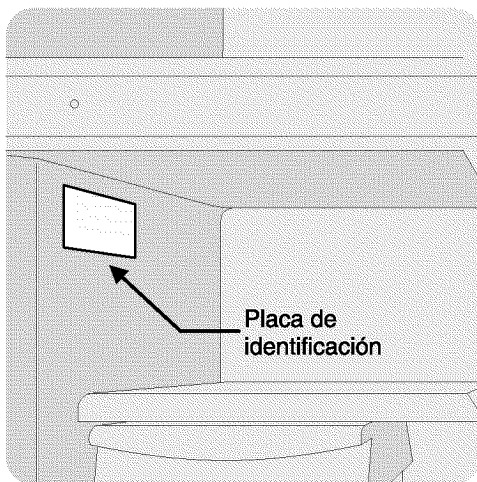
Escriba los números de modelo y de serie en las siguientes líneas para futura referencia. Dichos números se encuentran en la placa de identificación ubicada en el compartimiento interno del refrigerador.

NOTA: Use sólo jabón y agua para limpiar la placa de identificación.

Número de modelo: _____

Número de serie: _____

Fecha de compra: _____



Rellene y envíe la **Tarjeta de registro del producto** incluida con el refrigerador.

¿Tiene preguntas?

1-800-944-9044

(Estados Unidos)

1-866-213-9397

(Canadá)

Extienda su Protección de Garantía con un Contrato de Servicio Prolongado

Para poder aprovecharse de esta oportunidad, llame al 1-800-944-9044:

- **No tendrá que pagar facturas por reparaciones**, por lo que su presupuesto no se desequilibrará en caso de que se produzca una avería inesperada.
- **Servicio de atención al cliente rápido y de calidad** con una simple llamada gratuita de teléfono.
- **Reparaciones de la más alta calidad** realizadas por expertos formados en la propia fábrica.
- **Rápido acceso a piezas de recambio originales** para que no se preocupe y esté seguro de que su equipo de refrigeración se repara con los componentes adecuados.

Anexe aquí su factura de compra para futura referencia.



Instrucciones importantes de seguridad

ADVERTENCIA Sírvase leer todas las instrucciones antes de usar este refrigerador.

PARA SU SEGURIDAD

- No almacene ni utilice gasolina u otros líquidos inflamables cerca de este o cualquier otro electrodoméstico. Lea las advertencias sobre inflamabilidad y otros peligros que aparecen en las etiquetas del producto.
- No ponga a funcionar el refrigerador cuando haya vapores explosivos.
- Evite el contacto con las partes móviles del fabricante automático de hielo.
- Quite todas las grapas del cartón, ya que éstas pueden causar heridas graves y también dañar el acabado de otros electrodomésticos o muebles con los que pueden entrar en contacto.

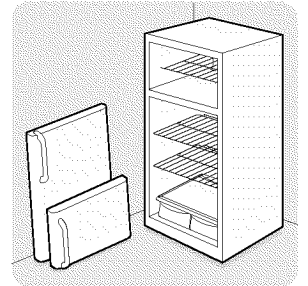
PARA LA SEGURIDAD DE LOS NIÑOS

Destruya o recicle el cartón, las bolsas plásticas y cualquier material de embalaje externo inmediatamente después de desempacar el refrigerador. Los niños **nunca** deben utilizarlos para jugar. Los cartones cubiertos con alfombras, cubrecamas, sábanas plásticas o envoltura elástica pueden convertirse en cámaras herméticas y provocar asfixia rápidamente.

ELIMINACIÓN CORRECTA DE SU REFRIGERADOR O CONGELADOR

Reisgo de encerramiento accidental para los niños

El encerramiento accidental y la asfixia de niños no son problemas del pasado. Los refrigeradores o congeladores desechados o abandonados siguen peligrosos, incluso si van a permanecer en un lugar "sólo por unos pocos días". Si usted va a desecharse de un viejo refrigerador o congelador, siga las instrucciones que se indican a continuación para prevenir accidentes.



Antes de eliminar su viejo refrigerador o congelador:

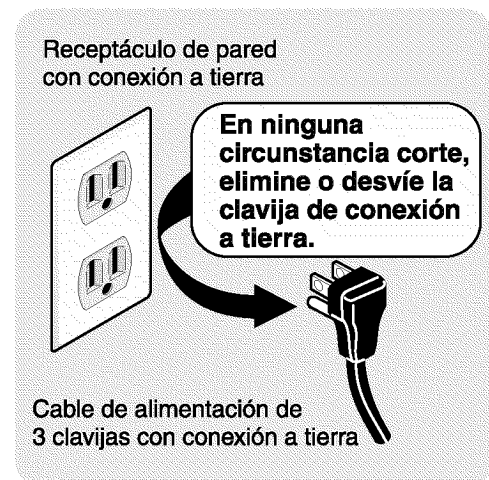
- Quitele las puertas.
- Deje los anaqueles en su lugar para impedir que los niños pueden meterse fácilmente dentro de la unidad.
- Asegúrese de que un técnico deservicio calificado extraiga el líquido refrigerante.

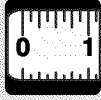
ADVERTENCIA Siga estas instrucciones para garantizar el funcionamiento correcto de los mecanismos de seguridad de este refrigerador.

INFORMACIÓN ELÉCTRICA

- **El refrigerador debe enchufarse en una toma de corriente independiente de corriente alterna únicamente y de 115 voltios, 60 Hz.** Para su protección contra descargas eléctricas, el cable de alimentación del refrigerador tiene un enchufe de tres clavijas con conexión a tierra. Debe enchufarse directamente en un receptáculo debe estar instalado según los códigos y normativas locales. Consulte con un electricista calificado. **No utilice una extensión ni un adaptador.**
- Inmediatamente repare o reemplace cualquier cable de energía eléctrica que esté desgastado o dañado.
- Nunca tire bruscamente del cable de alimentación para desenchufar el refrigerador. Sujete el enchufe firmemente y jálelo para sacarlo del receptáculo, evitando dañar el cable de energía eléctrica.
- Para evitar descargas eléctricas, desenchufe el refrigerador antes de limpiarlo o cambiarle la bombilla.
- Las variaciones del 10% o más en el voltaje pueden afectar el buen funcionamiento de la unidad. Poner a funcionar el refrigerador con alimentación insuficiente puede dañar el compresor. Tal daño no está cubierto por su garantía.
- Para evitar que el refrigerador sea apagado accidentalmente, no lo enchufe en un toma controlada por un interruptor de pared ni tire del cable de alimentación.
- Evite conectar el refrigerador a un circuito de interruptor accionado por corriente de pérdida a tierra.

NOTA: Al poner el control de temperatura en la posición "0" (apagado), se apaga el compresor del refrigerador pero no se desconecta la corriente eléctrica que alimenta la bombilla y otros componentes eléctricos.





Instalación

Este manual de uso y cuidado contiene instrucciones específicas para el funcionamiento de su unidad. Use el refrigerador sólo como se especifica en este manual de uso y cuidado. **Antes de encender el refrigerador, siga estos primeros pasos importantes.**

UBICACIÓN

- Elija un lugar que esté cerca de una toma eléctrica con conexión a tierra. No utilice una extensión ni un adaptador.
- Si es posible, coloque el refrigerador en un lugar donde no reciba luz solar directa. Colóquelo lejos de la estufa, del lavavajillas automático y de cualquier otra fuente de calor.
- El refrigerador debe instalarse en un piso que tenga la superficie nivelada y que resista el peso del refrigerador completamente cargado.
- Tenga en cuenta la disponibilidad de suministro de agua en aquellos modelos que incluyen un fabricante automático de hielo.

INSTALACIÓN

- No instale el refrigerador en un lugar con temperatura que pueda ser inferior a los 13° C (55° F) o superior a los 43° C (110° F). El compresor no podrá mantener las temperaturas apropiadas dentro del refrigerador.

⚠ PRECAUCIÓN No bloquee la rejilla de la base ubicada en la parte delantera inferior del refrigerador. La circulación suficiente de aire es esencial para el funcionamiento correcto del refrigerador.

Espacios libres para la instalación

- Deje los espacios libres siguientes para facilitar la circulación de aire adecuada durante la instalación y para las conexiones eléctricas de fontanería:

Lados y parte superior ---- 3/8"

Parte trasera ----- 1"

NOTA: Si observa bobinas o tuberías negras en la parte posterior del refrigerador (condensador enfriado por aire), deje un espacio de 3 pulg. En la parte superior del refrigerador.

APERTURA DE PUERTAS

NOTA: Si su refrigeradora está ubicada de manera que el lado de la bisagra de la puerta se encuentra contra una pared, deberá dejar un espacio adicional para que la puerta pueda abrirse más.

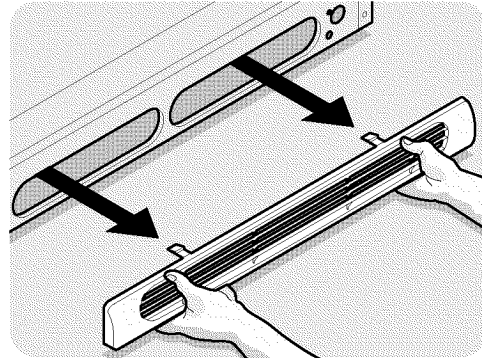
El refrigerador debe estar colocado de manera tal que permita el acceso fácil a un mostrador en el momento de sacar los alimentos. Para lograr esto, se puede invertir la dirección de apertura de las puertas. Lea la sección denominada Extracción e inversión de puertas en la página 28.

NIVELACIÓN

Las cuatro esquinas del refrigerador deben apoyarse firmemente sobre piso estable. El refrigerador está equipado con ruedas delanteras ajustables que permiten su nivelación.

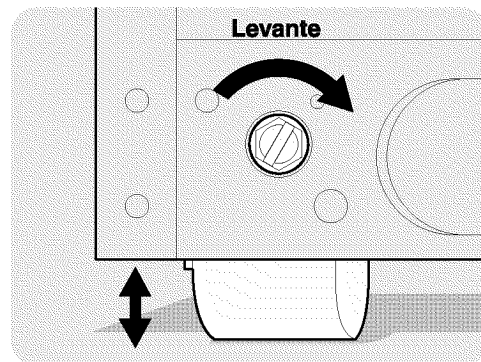
Para nivelar el refrigerador:

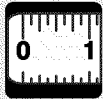
1. Quite la rejilla de la base.



2. Utilice un destornillador plano o una llave de cubo de 9 mm (3/8 de pulg.) para ajustar las ruedas delanteras.

NOTA: Levante la parte delantera del refrigerador lo suficiente para permitir que las puertas cierren sin dificultad al abrirlas parcialmente. El refrigerador debe tener una inclinación de 6,4 a 12 mm (¼ a ½ pulg.) en sentido de adelante hacia atrás. Luego nivélelo de lado





Instalación - Conexión del fabricante de hielo opcional al suministro de agua

⚠ ADVERTENCIA Para evitar descargas eléctricas que pudieran causar la muerte o graves lesiones a personas, desconecte el refrigerador de la fuente de alimentación eléctrica antes de conectar la tubería de suministro de agua en el refrigerador.

⚠ PRECAUCIÓN Para evitar daños a la propiedad:

- Se recomienda utilizar tubería de cobre para la tubería de suministro de agua. No es recomendable utilizar tuberías plásticas de 6,4 mm (¼ de pulg.) para el suministro de agua porque aumentan significativamente el riesgo de filtraciones. El fabricante no se hace responsable de cualquier daño causado por el uso de tubería plástica para la tubería de suministro.
- NO instale la tubería de suministro de agua en áreas donde la temperatura puede ser inferior al punto de congelación.
- Los químicos de un sistema suavizador que no funcione correctamente pueden dañar el fabricante de hielo. Si el fabricante de hielo está conectado a una fuente de agua suavizada, asegúrese de que al sistema suavizador se le dé mantenimiento y que funcione correctamente.

IMPORTANTE: Asegúrese de que las conexiones de la tubería de suministro de agua cumplan con todas las normativas locales de plomería.

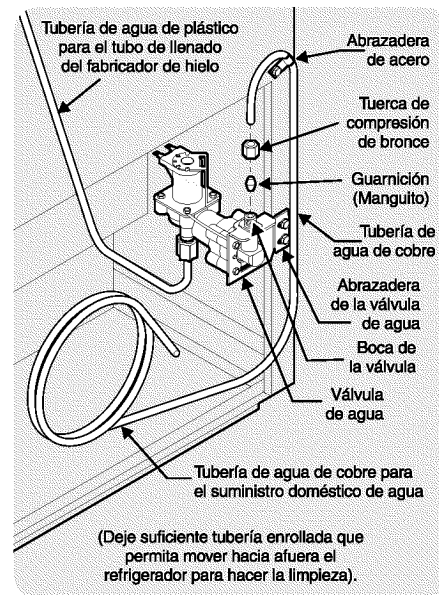
Para instalar la tubería de suministro de agua, usted necesitará:

- **Herramientas básicas:** llave ajustable, destornillador plano y destornillador con punta Phillips™.
- Acceso a una tubería de suministro doméstico de agua fría con una presión de agua entre 1,4 y 8,3 barios (20 a 120 lb/pulg²).
- Una tubería de cobre para el suministro de agua de 6,4 mm (1/4 de pulg) de diámetro externo. Para determinar la longitud necesaria de la tubería de cobre, mida la distancia entre la válvula de entrada del fabricante de hielo ubicada, en la parte posterior del refrigerador, y la tubería de agua fría. Al resultado súmele 2,1 metros (7 pies) aproximadamente para que quede espacio libre que permita mover hacia afuera el refrigerador para hacer limpieza (como se muestra).
- Una válvula de apagado para conectar la tubería de suministro de agua al sistema de suministro doméstico de agua. NO utilice una válvula de apagado tipo autoperforante.
- Una tuerca de compresión y guarnición (manguito) para conectar la tubería de suministro de agua a la válvula de entrada del fabricante de hielo.

NOTA: El juego de tubería de agua número 5303917950, disponible a un costo adicional en su distribuidor de electrodomésticos, contiene 7,6 metros (25 pies) de tubería de cobre de 6,4 mm (¼ de pulg) de diámetro externo, una válvula singular de apagado (no perforante), (2) tuercas de compresión de bronce de 6,4 mm (¼ de pulg)), (2) guarniciones/manguitos, y las instrucciones para instalar la tubería de suministro de agua.

Para conectar la tubería de suministro de agua a la válvula de entrada del fabricante de hielo

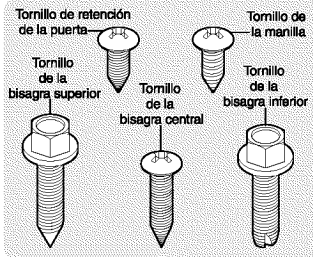
1. Desconecte el refrigerador de la fuente de alimentación eléctrica.
2. Coloque el extremo de la tubería de suministro de agua dentro del fregadero o una cubeta. Abra el suministro de agua y deje correr agua por la tubería de suministro hasta que el agua salga limpia. Cierre el suministro de agua en la válvula de apagado.
3. Desenrosque la tapa plástica de la boca de la válvula de agua. Deseche la tapa.
4. Deslice la tuerca de compresión de bronce, seguida de la guarnición (manguito), en la tubería de suministro de agua, como se muestra.
5. Introduzca la tubería de suministro de agua en la boca de la válvula de agua hasta el punto máximo permitido (6,4 mm o ¼ de pulg). Deslice la guarnición (manguito) dentro de la boca de la válvula y enrosque manualmente la tuerca de compresión dentro de la válvula. Con una llave, enrósquela una media vuelta más. NO la enrosque demasiado.
6. Utilice una abrazadera de acero y un tornillo para asegurar la tubería de suministro de agua en el panel posterior del refrigerador, como se muestra.
7. Enrolle el exceso de la tubería de suministro de agua (aproximadamente 2½ vueltas) detrás del refrigerador, como se muestra en la figura 1, y arregle la tubería enrollada de manera tal que no vibre o se desgaste por el roce con otra superficie.
8. Abra el suministro de agua en la válvula de apagado y apriete cualquier conexión que filtre agua.
9. Reconecte el refrigerador a la fuente de alimentación eléctrica.
10. Para encender el fabricante de hielo, baje el brazo metálico indicador (verifique la posición de encendido/ apagado (ON/OFF) del brazo en la cubierta delantera del fabricante de hielo).



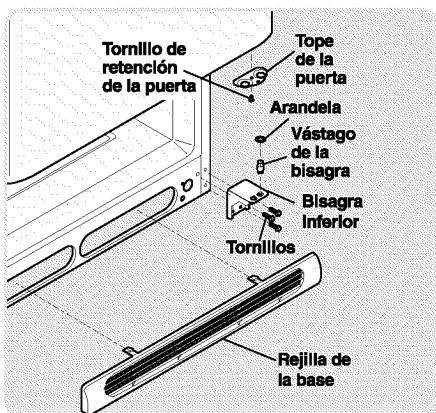
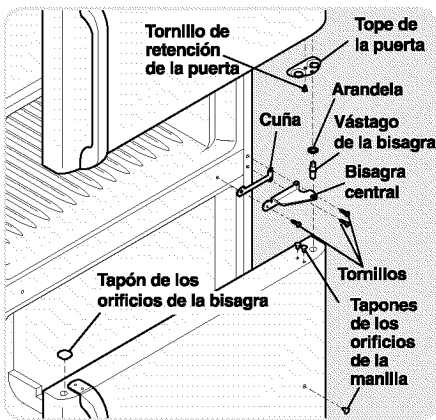
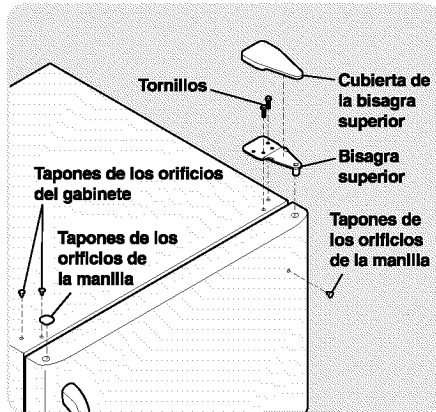
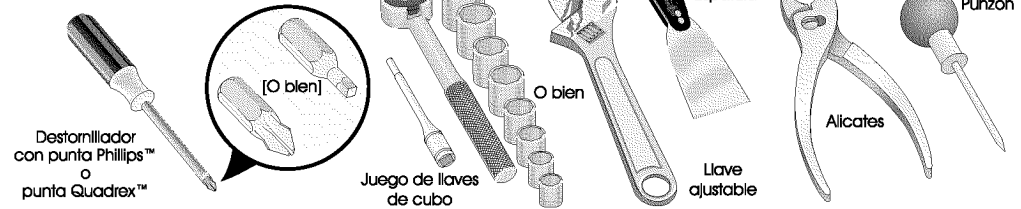
IMPORTANTE: El fabricante de hielo tarda aproximadamente 24 horas para comenzar a producir hielo. El aire que circula en las tuberías nuevas puede hacer que el fabricante de hielo inicie dos o tres ciclos antes de fabricar una bandeja completa de hielo. Las tuberías nuevas pueden provocar que el hielo tenga cierta decoloración o sabor extraño. Deseche todo el hielo fabricado durante las primeras 24 horas.



Instrucciones para la extracción e inversión de puertas



Herramientas necesarias:



INSTRUCCIONES PARA LA EXTRACCIÓN E INVERSIÓN DE PUERTAS:

NOTA: Si el refrigerador tiene puertas de acero inoxidable, pase a la sección de instrucciones para la extracción de puertas y manillas de acero inoxidable en la Página 31.

NOTA: La dirección de apertura de las puertas del refrigerador (giro de puertas) se puede invertir, de izquierda a derecha o de derecha a izquierda. Para hacerlo, es necesario mover las bisagras de las puertas de un lado a otro. Sólo una persona calificada debe invertir el giro de las puertas.

IMPORTANTE: Antes de empezar, coloque el control de temperatura del refrigerador en la posición de apagado (0) y retire el cable de alimentación eléctrica de la toma de la pared. Saque todos los alimentos que estén en los anaqueles de las puertas.

1. Quite la rejilla de la base y la cubierta de la bisagra superior.
2. Retire la bisagra superior con una válvula hexagonal de 3/8" y levante la puerta de la congeladora retirándola de la clavija de la bisagra del centro. Coloque la puerta a un lado.
3. Desatornille el vástago de la bisagra central con una llave ajustable y póngalo en un lugar seguro para utilizarlo luego en la reinstalación. Asegúrese de que la arandela plástica permanezca en el vástago de la bisagra.
4. Levante la puerta del refrigerador, sacándola de la bisagra inferior, y colóquela a un lado.
5. Retire la bisagra central y coloque un espaciador, y, a continuación, quite el tornillo interior y desafloje los dos tornillos exteriores lo suficiente para permitir que la bisagra y el espaciador se deslicen hacia fuera. Vuelva a apretar los tornillos.
6. Afloje los dos tornillos externos en el otro lado del refrigerador; quite el tornillo interno e instale la bisagra central.
7. Retire la bisagra inferior con una válvula hexagonal de 3/8". Coloque de nuevo los dos tornillos externos en los orificios y apriételes. Los tornillos internos se colocarán en el otro lado, como se describe en el paso 8.
8. Quite los dos tornillos externos del otro lado del refrigerador e instale la bisagra inferior. Coloque y apriete los tornillos que retiró en el paso 7.
9. Desatornille el vástago de la bisagra inferior con una llave ajustable. Cambie el vástago de la bisagra al otro orificio de la bisagra y apriétele con una llave ajustable.
10. Invierta las manillas de la puerta (vea las instrucciones en la página siguiente).
11. Mueva los topes de las puertas del congelador y del refrigerador hacia el otro lado. Antes de comenzar a atornillar, deberá agujerear la espuma con un punzón.
12. Coloque la puerta del refrigerador en el vástago de la bisagra inferior y atornille el vástago de la bisagra central a través de la bisagra central, ubicada en la parte superior de la puerta. Cierre la puerta del equipo de refrigeración para alinear el agujero.
13. Apriete el vástago de la bisagra central con una llave ajustable.
14. Retire los tapones de los agujeros de la bisagra y la caja y colóquelos en el lado opuesto.
15. Coloque la puerta del congelador sobre el vástago de la bisagra central.
16. Cierre la puerta del refrigerador. Mientras un/a ayudante eleva la puerta desde el lado opuesto de la misma, apriete los tornillos de instalación de la bisagra superior.
17. Vuelva a colocar la rejilla de la base y la cubierta de la bisagra superior.
18. Enchufe el cable de alimentación eléctrica y coloque el control de temperatura del refrigerador en la posición central. Ajuste la posición según sea necesario.



Instrucciones para la extracción e inversión de puertas (continuación)

NOTA: Ciertos modelos tienen manillas “tipo hendidura” empotradas en los costados de la puerta. En estos modelos, solamente es necesario invertir las bisagras.

PARA QUITAR LA MANILLA DEL CONGELADOR:

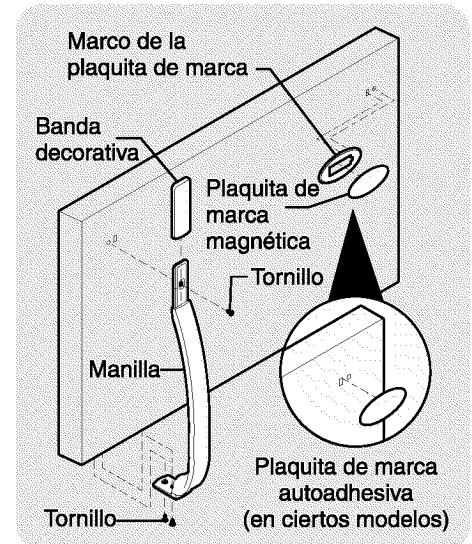
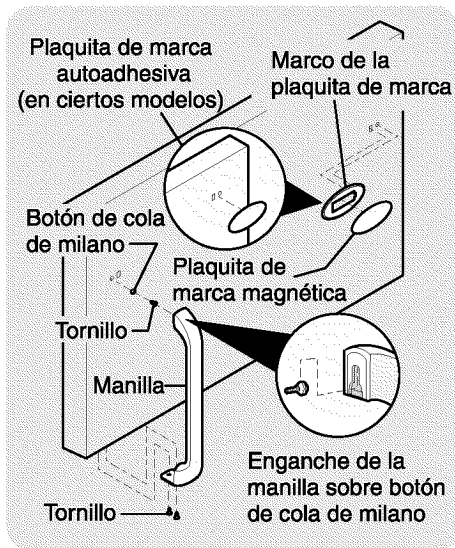
(Es más fácil invertir las manijas cuando las puertas no están puestas.)

1. Quite los dos tornillos que sujetan la manilla a la parte inferior de la puerta del congelador.
2. Para quitar la banda decorativa corta, deslícela hacia arriba y fuera del soporte de la manilla.
3. Quite el tornillo que sujeta la parte superior de la manilla a la puerta.
4. **Modelos con plaquita de marca magnética:** Levante cuidadosamente el marco de la plaquita de marca magnética de la puerta. Saque la plaquita de marca del marco, voltee el marco al contrario e instálelo en los orificios donde antes estaba la manilla. Introduzca la plaquita de marca magnética en el marco.

Modelos con plaquita de marca autoadhesiva: Separe cuidadosamente la plaquita de marca de la puerta y colóquela en los orificios donde antes estaba la manilla.

PARA COLOCAR LA MANILLA DEL CONGELADOR:

1. Reinstale la manilla en el lado opuesto, en los orificios donde antes estaba la plaquita de marca.
2. Sujete la manilla en la parte inferior de la puerta.
3. Deslice la banda decorativa directamente hacia abajo para cubrir el soporte de la manilla.



PARA QUITAR LA MANILLA DEL CONGELADOR:

(Es más fácil invertir las manijas cuando las puertas no están puestas.)

1. Quite los dos tornillos que sujetan la manilla en la parte inferior de la puerta del congelador.
2. Gire la parte inferior de la manilla hacia afuera y deslice la manilla hacia arriba y afuera del botón de cola de milano.
3. Quite el tornillo y el botón de cola de milano e instálelos en el otro lado, en los mismos orificios donde estaba la plaquita de marca.
4. **Modelos con plaquita de marca magnética:** Utilice una espátula para levantar cuidadosamente el marco de la plaquita de marca magnética de la puerta. Saque la plaquita de marca del marco, voltee el marco al contrario e instálelo en los orificios donde antes estaba la manilla. Introduzca la plaquita de marca magnética en el marco.

Modelos con plaquita de marca autoadhesiva: Utilice una espátula para separar cuidadosamente la plaquita de marca de la puerta y colóquela en los orificios donde antes estaba la manilla.

PARA COLOCAR LA MANILLA DEL CONGELADOR:

1. Comience con la manilla separada de la puerta. Coloque la parte superior de la manilla sobre el botón de cola de milano y luego gírela hasta colocarla en posición vertical. Tire hacia abajo para que la manilla encaje en su lugar.
2. Fije la parte inferior de la manilla con los dos tornillos que quitó anteriormente.

PARA QUITAR LA MANILLA DEL CONGELADOR:

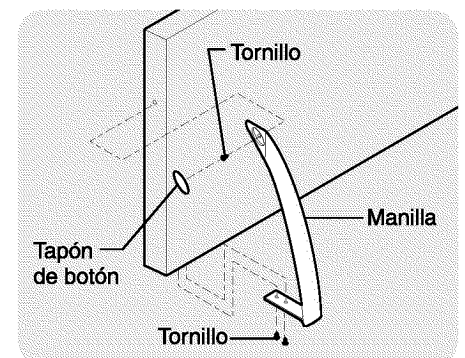
(Es más fácil invertir las manijas cuando las puertas no están puestas.)

1. Quite los dos tornillos que sujetan la manilla a la parte inferior de la puerta del congelador.
2. Retire los tapones de los botones con una espátula.
3. Retire el tornillo del lado de la puerta del refrigerador y saque el tirador.

PARA COLOCAR LA MANILLA DEL CONGELADOR:

1. Fije el lado de la manilla en la puerta y coloque de nuevo el tapón de botón.
2. Fije la manilla en la parte inferior de la puerta.

NOTA: Para invertir la manilla del congelador, vea la figura 3 en la página 31.





Instrucciones para la extracción e inversión de puertas (continuación)

EXTRACCIÓN DE LA BANDA DECORATIVA (SÓLO EN MODELOS CON BANDA DECORATIVA LARGA)

En ciertos modelos, la puerta del refrigerador tiene una banda decorativa larga que se extiende desde la parte inferior de la manilla hasta la parte inferior de la puerta. La parte superior de la banda está sujeta al soporte de la manilla (figura 1) o encaja debajo de la base de la manilla (figura 2). En la mitad de la banda hay un “enganche adhesivo”. La parte inferior de la banda decorativa se mantiene fija en su lugar mediante un enganche adhesivo o un enganche de dos clavijas que se introducen en un orificio en la parte delantera de la puerta.

PARA QUITAR LA BANDA DECORATIVA:

1. Para quitar la banda decorativa, vaya tirando de ella cuidadosamente en diferentes secciones hasta desprenderla totalmente de la puerta.
2. Una vez desprendida la banda decorativa, deslícela hacia abajo para separarla de la base de la manilla.

NOTA: En los modelos con banda decorativa corta para manilla, quítela tirando de ella directamente hacia abajo para separarla del soporte de la manilla.

PARA QUITAR LA MANILLA DEL REFRIGERADOR:

(Es más fácil invertir las manijas cuando las puertas no están puestas.)

Manillas del tipo mostrado en la figura 1

1. Quite los dos tornillos que sujetan la manilla en la parte superior de la puerta del refrigerador.
2. Quite el tornillo que sujeta la parte inferior de la manilla a la puerta.
3. Retire los dos tapones de agujeros y el tapón del pasador de bisagra en la parte superior de la puerta e instálelos en el lado opuesto. Para quitar el tapón de tornillo de plástico del frontal de la puerta e instalarlo en el lado opuesto, utilice un destornillador de cabeza Phillips.

Manillas del tipo mostrado en la figura 2

1. Quite los dos tornillos que sujetan la manilla en la parte superior de la puerta del refrigerador.
2. Gire la parte superior de la manilla hacia afuera y deslice la manilla hacia abajo y afuera del botón de cola de milano.
3. Quite el tornillo y el botón de cola de milano e instálelos en el otro lado, moviendo los tapones de los orificios desde su posición inicial hacia el otro lado.

PARA COLOCAR LA MANILLA DEL REFRIGERADOR:

Manillas del tipo mostrado en la figura 1

1. Fije la parte inferior de la manilla con tornillos.
2. Fije la parte superior de la manilla con tornillos.

Manillas del tipo mostrado en la figura 2

1. Comience con la manilla separada de la puerta. Coloque la parte superior de la manilla sobre el botón de cola de milano y luego gírela hasta colocarla en posición vertical. Tire hacia arriba para que la manilla encaje en su lugar.
2. Fije la parte superior de la manilla con tornillos.

PARA COLOCAR LA BANDA DECORATIVA:

1. Deslice los dos enganches de la banda decorativa hasta separarlos de la banda.
2. Coloque los nuevos enganches de la banda decorativa que se incluyen en el paquete de información de la unidad.

NOTA: Para quitar y colocar el enganche de la banda decorativa, deslícelo sobre las áreas con forma de rosquilla.

3. Para colocar la banda decorativa en la manilla, deslícela debajo de la base de la manilla. Alinee cuidadosamente la banda decorativa y haga presión hacia abajo en los puntos en que se encuentran los enganches de la banda decorativa.
4. Utilice alcohol de frotar para eliminar cualquier residuo adhesivo de los puntos anteriores de enganche de la banda decorativa.

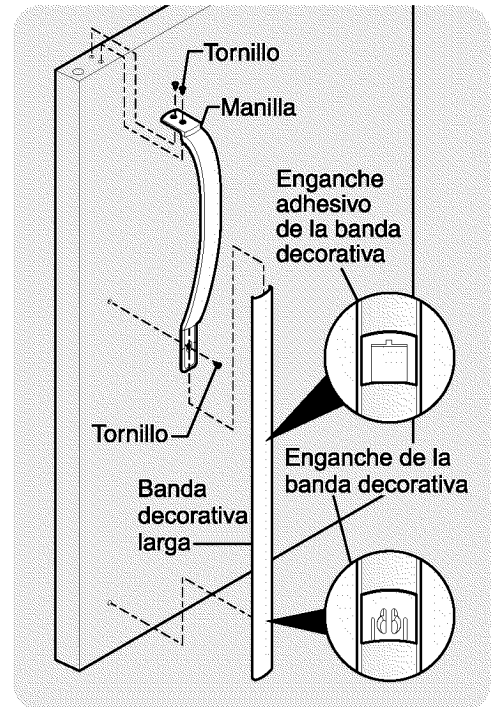


Figura 1

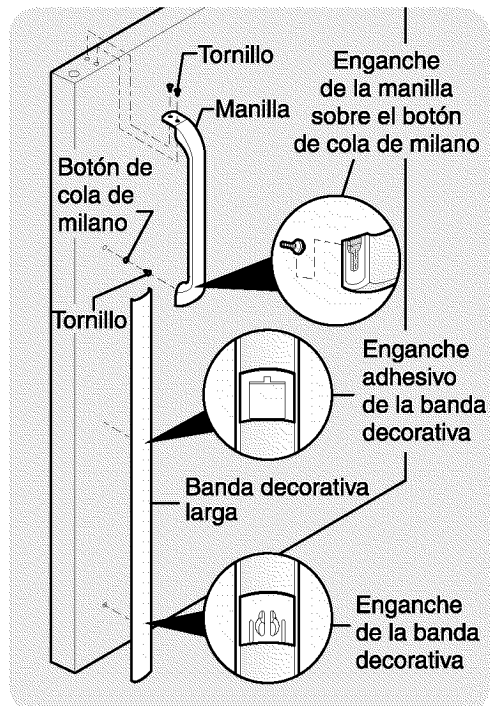


Figura 2



Instrucciones para la extracción e inversión de puertas (continuación)

PARA QUITAR LA MANILLA DEL REFRIGERADOR:

(Es más fácil invertir las manijas cuando las puertas no están puestas.)

1. Quite los dos tornillos que sujetan la manilla en la parte superior de la puerta del refrigerador.
2. Retire los tapones de los botones con una espátula.
3. Quite el tornillo que se encuentra en el lado de la puerta del refrigerador y saque el tirador.
4. Intercambie las manillas del congelador y el refrigerador como se muestra en la figura 3.

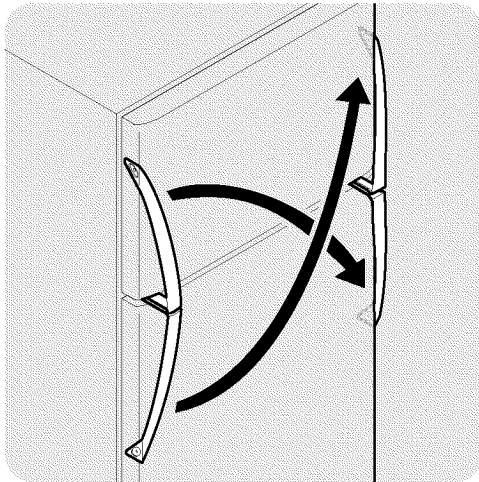
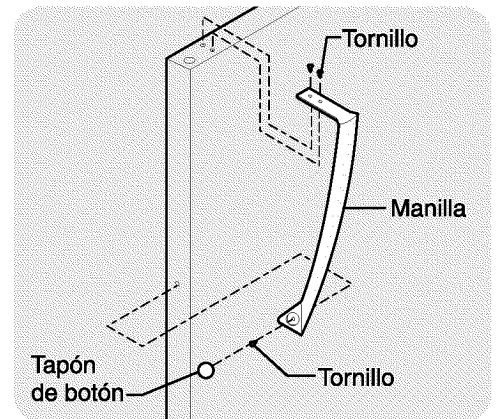


Figura 3 - Inversión de las manillas



Puerta del refrigerador sin banda decorativa

PARA COLOCAR LA MANILLA DEL REFRIGERADOR:

1. Fije el lado de la manilla en la puerta y coloque de nuevo el tapón de botón.
2. Fije la manilla en la parte superior de la puerta.

EXTRACCIÓN DE PUERTAS Y MANILLAS DE ACERO INOXIDABLE



PRECAUCIÓN Tenga cuidado para evitar raspaduras al utilizar herramientas cerca de la superficie de puertas de acero inoxidable.

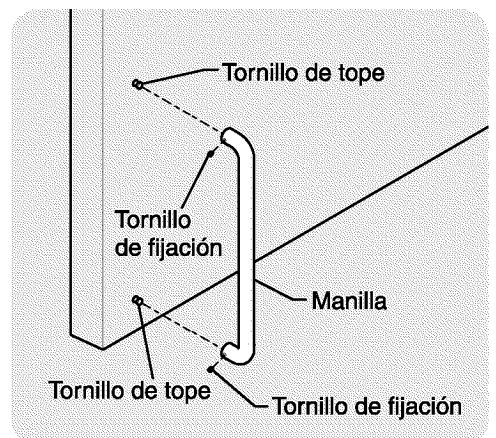
Para quitar las puertas

Las puertas de acero inoxidable no son reversibles. Siga los pasos a continuación para quitar las puertas.

1. Quite la rejilla de la base y la cubierta de la bisagra superior.
2. Quite la bisagra superior y levante la puerta del congelador, sacándola del vástago de la bisagra central. Coloque la puerta a un lado.
3. Desatornille el vástago de la bisagra central con una llave ajustable y guárdelo en lugar seguro para utilizarlo luego en la reinstalación. Asegúrese de que la arandela plástica permanezca en el vástago de la bisagra.
4. Levante la puerta del refrigerador, sacándola de la bisagra inferior, y colóquela a un lado.
5. Para quitar la bisagra central y la cuña, saque el tornillo interno y afloje los dos tornillos externos hasta que la bisagra se deslice hacia afuera.
6. Quite la bisagra inferior. Coloque de nuevo los dos tornillos externos en los orificios y apriételos.
7. Para reinstalar las puertas, siga los pasos del 1 al 6 a la inversa.

Para quitar las manillas

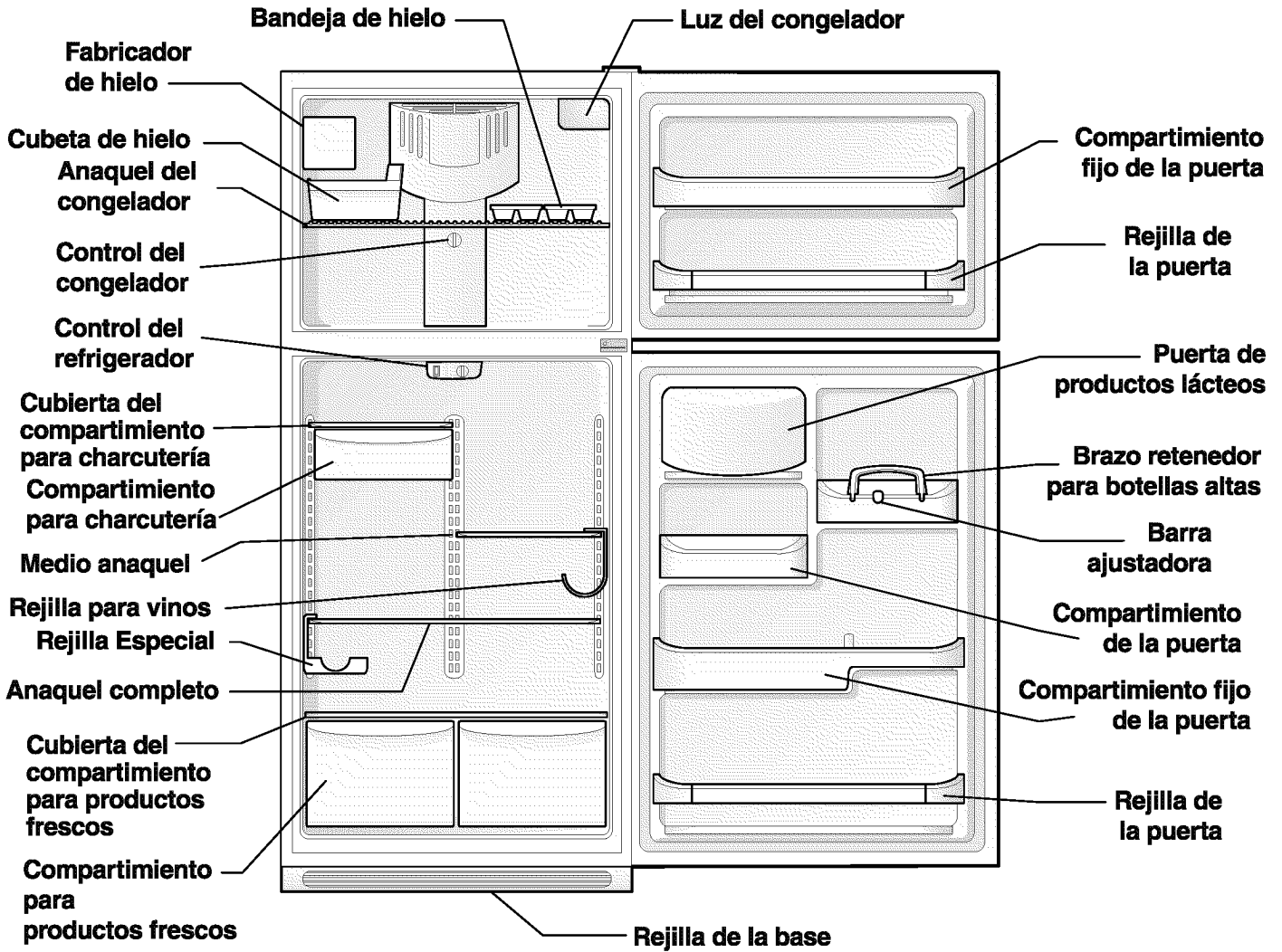
1. Sujete firmemente la manilla del congelador mientras afloja los tornillos de fijación con una llave Allen de 3/32 de pulg. Quite la manilla del congelador.
2. Repita el paso 1 para quitar la manilla del refrigerador.



Manija común



Características a la vista



Las características pueden variar según el modelo



Controles de temperatura

PERÍODO DE ENFRIAMIENTO

Para garantizar el almacenamiento correcto de los alimentos, deje funcionar el refrigerador con las puertas cerradas por un tiempo mínimo de 8 a 12 horas antes de colocar alimentos en el interior.

CONTROLES DEL REFRIGERADOR Y EL CONGELADOR

NOTA: Al ajustar los controles por primera vez o al cambiar la posición, espere 24 horas para que la temperatura se establezca antes de hacer otros cambios.

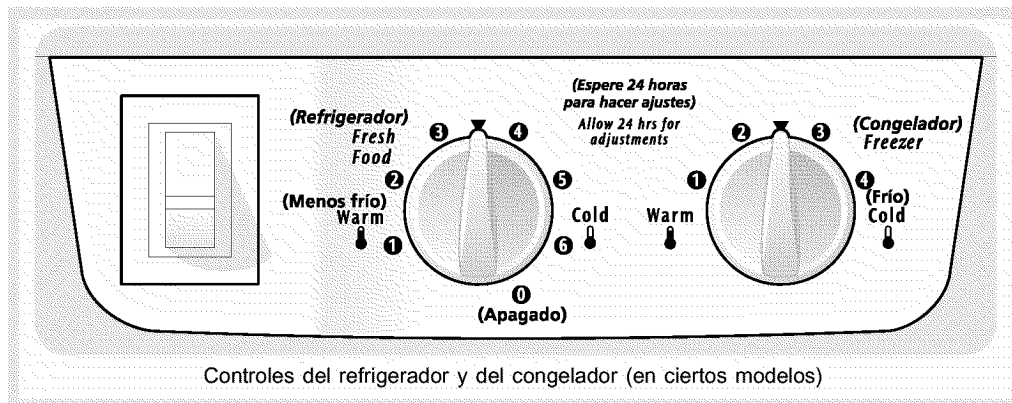
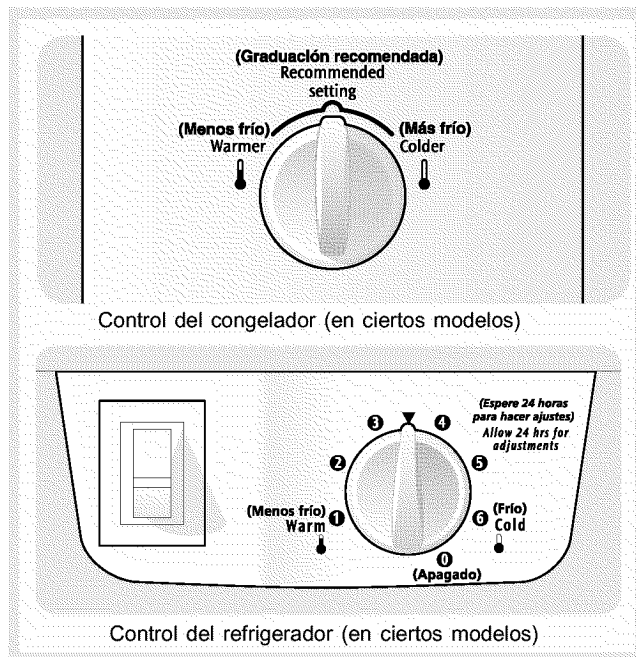
AJUSTE DE LA TEMPERATURA

NOTA: Cuando conecte el refrigerador por primera vez, coloque los controles del refrigerador y la congeladora en la posición ▼ que es la posición inicial que se recomienda. Transcurridas 24 horas, haga los ajustes de los controles que sean necesarios.

- **Ajuste gradualmente el control de la temperatura:** mueva la perilla poco a poco, hasta lograr que la temperatura se estabilice.
- Para obtener una temperatura más fría, gire la perilla hacia **Cold** (frío).
- Para obtener una temperatura menos fría, gire la perilla hacia **Warm** (menos frío).

Al ajustar el control del refrigerador, cambiará la temperatura en ambos compartimientos. Por ejemplo, si el control del refrigerador se coloca en un valor más frío, puede ser necesario seleccionar un valor menos frío en el control del congelador. Al ajustar el control del congelador, cambiará solamente la temperatura del congelador.

Para mantener las temperaturas, un ventilador hace circular el aire en los compartimientos del refrigerador y del congelador. Para lograr una buena circulación, no bloquee con alimentos las salidas de aire frío.



IMPORTANTE: Al colocar el control de temperatura en la posición "0" (apagado), se apaga el compresor del refrigerador pero no se desconecta la corriente eléctrica que alimenta la bombilla y otros componentes eléctricos.

GUÍA PARA EL AJUSTE DE TEMPERATURA	
Si el compartimiento del refrigerador no está lo suficientemente frío	Gire ligeramente el control del refrigerador hacia Cold (frío)
Si el compartimiento del refrigerador está excesivamente frío	Gire ligeramente el control del refrigerador hacia Warm (menos frío)
Si el compartimiento del congelador no está lo suficientemente frío	Gire ligeramente el control del congelador hacia Colder (más frío)
Si el compartimiento del congelador está excesivamente frío	Gire ligeramente el control del congelador hacia Warmer (menos frío)
Para apagar el refrigerador	Gire el control del refrigerador hacia 0 (apagado)



Vista interior

⚠ PRECAUCIÓN Para evitar lesiones personales o daños a la propiedad, maneje los compartimientos de vidrio endurecido cuidadosamente. Estos pueden romperse si se rasguñan, rayan o si sufren cambios repentinos de temperatura.

AJUSTE DE ANAQUELES

Los anaqueles del refrigerador se pueden ajustar fácilmente para satisfacer las necesidades individuales. Antes de ajustar los anaqueles, saque todos los alimentos.

Para ajustar los anaqueles corredizos:

- 1 Para quitar el anaquel, tire de él hasta que se detenga.
- 2 Levante el borde delantero hacia arriba y tire de él.

Siga esta mismo procedimiento a la inversa para colocar el anaquel en cualquier otro par de rieles.

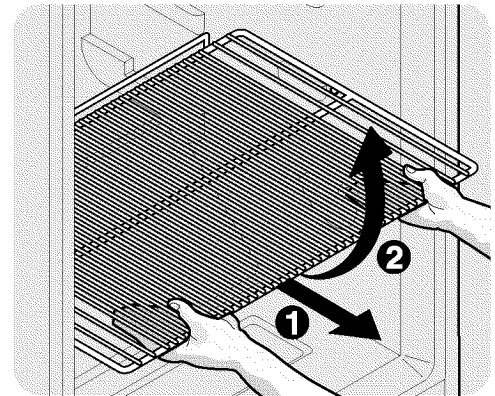
Para ajustar los anaqueles voladizos:

NOTA: Los anaqueles voladizos se apoyan en la parte posterior del refrigerador. Pueden ser de vidrio o metal.

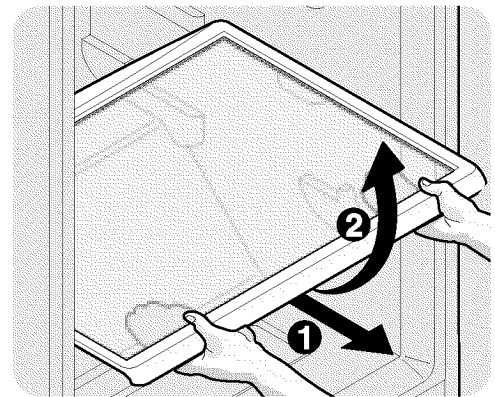
- 1 Levante el borde delantero hacia arriba.
- 2 Saque el anaquel hacia afuera.

Para colocar el anaquel, introduzca los ganchos que se encuentran en la parte posterior del anaquel en el soporte vertical en la pared. Baje el anaquel hasta las ranuras deseadas y fíjelo en posición.

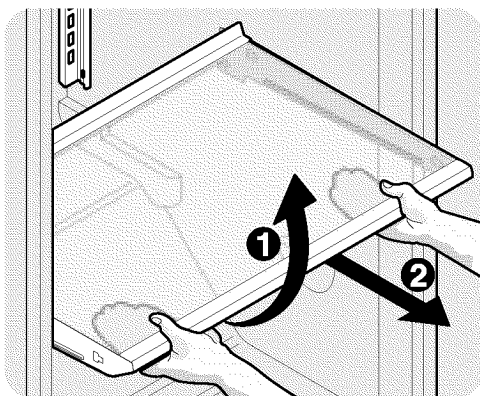
Los anaqueles de vidrio *SpillSafe™* (en ciertos modelos) recogen y retienen los derrames accidentales. En algunos modelos, los anaqueles *SpillSafe™* se deslizan hacia afuera, permitiendo un mayor acceso a los alimentos y facilidad de limpieza. Los anaqueles se deslizan hacia afuera a pesar de los soportes voladizos. Sólo tire de la parte delantera del anaquel hacia adelante. El anaquel puede extenderse hasta el límite que permita el tope, pero no se puede sacar del soporte voladizo.



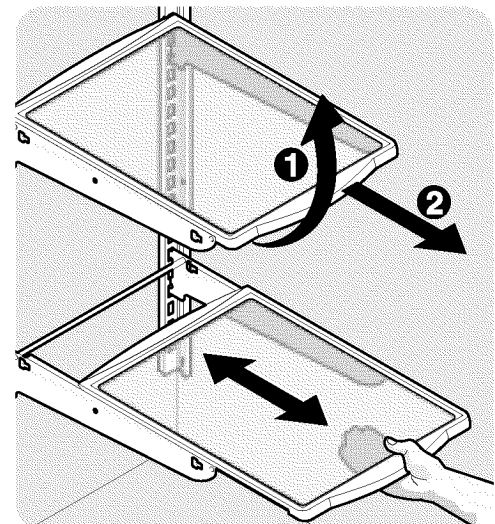
Anaquele corredizo de metal



Anaquele corredizo de vidrio



Anaquele voladizo de vidrio de ancho máximo



Anaquele voladizo de vidrio — Fijo y corredizo



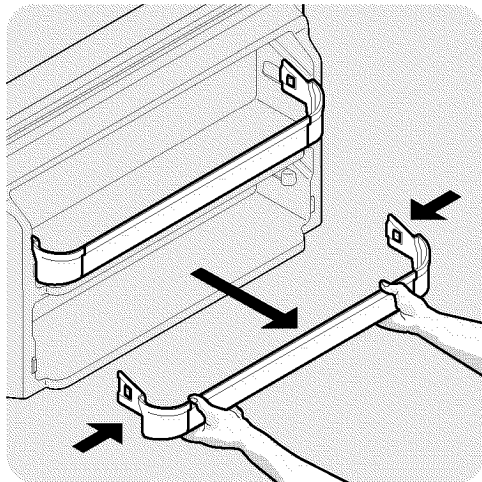
Vista interior (continuación)

ALMACENAMIENTO EN LAS PUERTAS

Los compartimientos, anaqueles y rejillas de las puertas están diseñados para el fácil almacenamiento de tarros, botellas y latas. Permiten el acceso rápido a artículos de uso frecuente.

Ciertos modelos tienen rejillas o compartimientos en las puertas con espacio suficiente para recipientes plásticos de bebidas de 3,8 litros (1 galón) de capacidad, además de tarros y otros recipientes de tamaño económico. Algunas rejillas ajustables brindan mayor capacidad de almacenamiento.

El compartimiento de los productos lácteos, que es menos frío que la sección general de almacenamiento de alimentos, está diseñado para almacenar quesos, cremas para untar o mantequilla por período cortos.



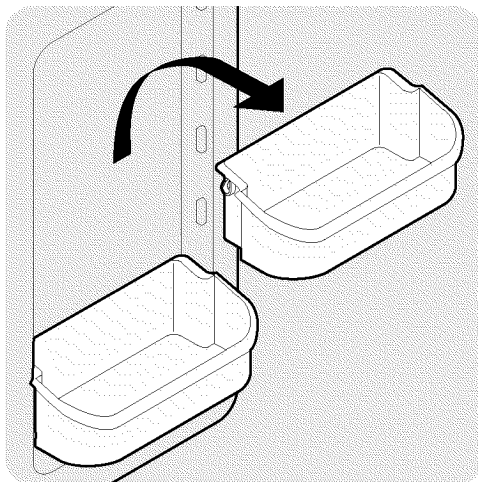
Rejilla de la puerta

COMPARTIMIENTOS AJUSTABLES DE LA PUERTA

Ciertos modelos tienen compartimientos ajustables en la puerta que pueden moverse de acuerdo a las necesidades individuales.

Para mover los compartimientos de la puerta

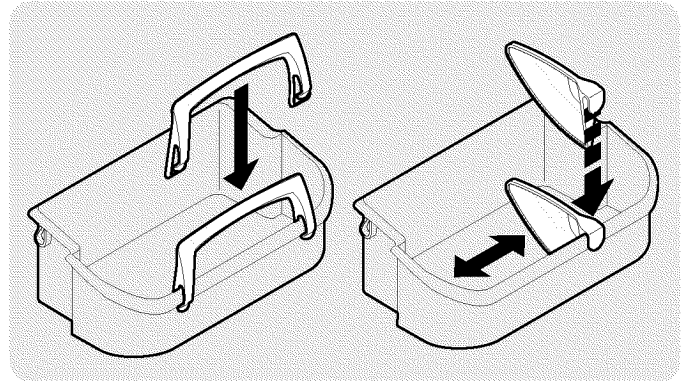
1. Levante el compartimiento hacia arriba.
2. Saque el compartimiento.
3. Coloque el compartimiento en la posición deseada.
4. Baje el compartimiento hasta que encaje bien en su lugar.



Compartimiento ajustable de la puerta

BRAZO RETENEDOR PARA BOTELLAS ALTAS (EN CIERTOS MODELOS)

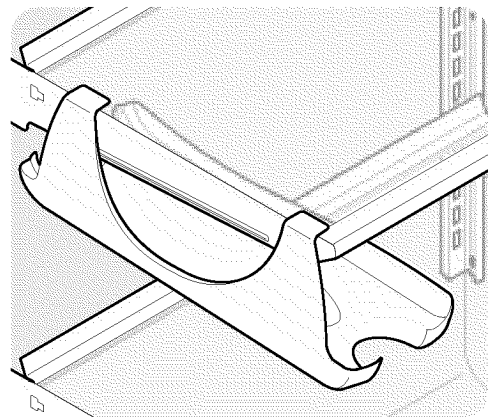
El brazo retenedor para botellas altas evita que se caigan los recipientes altos que se encuentran en el compartimiento al abrir o cerrar la puerta del refrigerador. Para colocarlo, sujete el brazo retenedor por la parte superior y deslícelo sobre la pared externa del compartimiento, como se muestra en el dibujo. El brazo retenedor funciona mejor con una barra ajustadora de compartimiento.



Brazo retenedor para botellas altas (izquierda) y barra ajustadora de compartimiento (derecha)

REJILLA ESPECIAL (EN CIERTOS MODELOS)

El innovador diseño de la Rejilla Especial le permite guardar un empaque con seis de latas de 12 onz., una botella de vino, una botella de dos litros o una caja de huevos. La Rejilla Especial se encuentra al lado izquierdo de su refrigeradora. Para instalarlo, sólo deslice la Rejilla Especial sobre un anaquel tal como se indica en el gráfico.



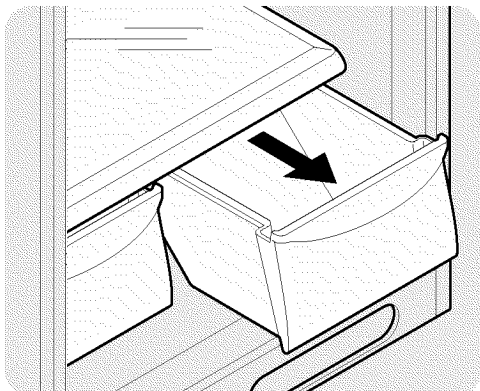
Rejilla Especial



Vista interior (continuación)

COMPARTIMIENTO PARA PRODUCTOS FRESCOS (EN CIERTOS MODELOS)

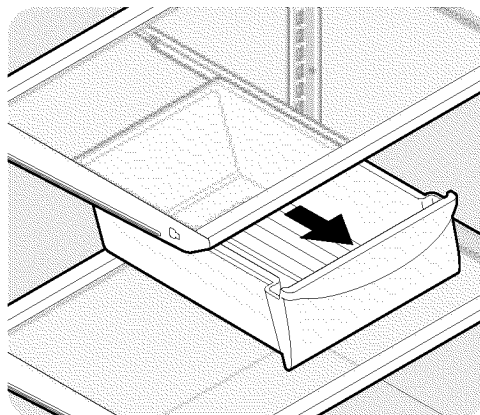
Los compartimientos para productos frescos, ubicados debajo del anaquel inferior del refrigerador, están diseñados para almacenar frutas, vegetales y otros productos frescos. Lave los alimentos en agua limpia y elimine el exceso de agua antes de colocarlos en los compartimientos para productos frescos. Se recomienda envolver los alimentos que tengan un olor penetrante o mucha humedad antes de almacenarlos.



Compartimiento para productos frescos

COMPARTIMIENTO PARA CHARCUTERÍA (EN CIERTOS MODELOS)

Ciertos modelos están equipados con un compartimiento para charcutería para guardar fiambres de carne, cremas para untar, quesos y otros artículos de charcutería.

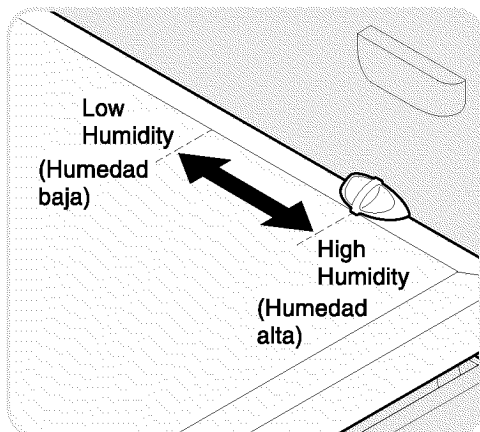


Compartimiento para charcutería

CONTROL DE HUMEDAD (EN CIERTOS MODELOS)

El control de humedad, incluido en ciertos modelos con compartimientos para productos frescos, permite ajustar la humedad dentro del mismo. Con esta función se prolonga la frescura de los vegetales que se conservan mejor en ambientes de humedad alta.

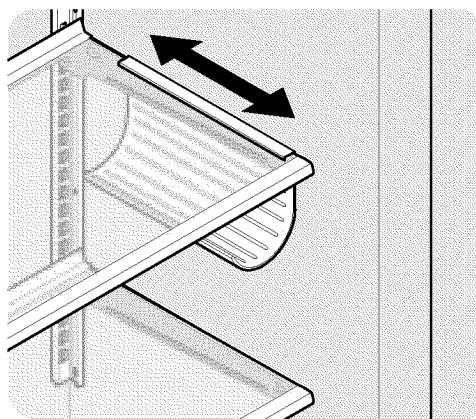
NOTA: Los vegetales de hojas verdes se conservan mejor cuando el control de humedad está en la posición **High Humidity** (humedad alta), o en un compartimiento sin control de humedad. Así se reduce al mínimo el flujo de aire entrante y se conserva el máximo contenido de humedad.



Control de humedad del compartimiento para productos frescos

REJILLA PARA VINOS (EN CIERTOS MODELOS)

La rejilla para vinos permite almacenar botellas de vino o botellas plásticas de dos litros de jugo o gaseosa. Para instalarla, deslice la rejilla para vinos sobre el anaquel con la curva apuntando hacia adentro. Para quitarla, deslice la rejilla hacia afuera. Se puede instalar en cualquier extremo del anaquel.



Rejilla para vinos



Fabricación de hielo

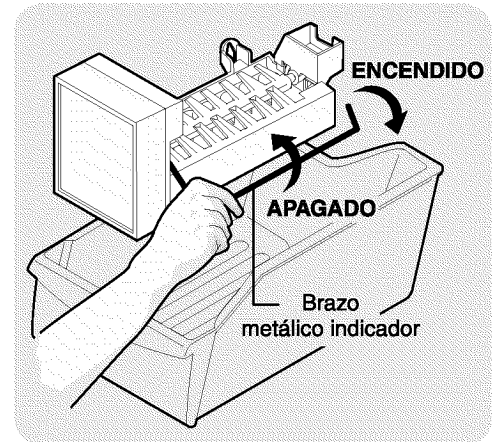
Si su refrigerador tiene un fabricante automático de hielo, éste suministrará hielo suficiente para el consumo normal. Sin embargo, durante el inicio de funcionamiento del refrigerador, no se producirá hielo en las primeras 24 horas de funcionamiento. Los fabricantes automáticos de hielo son accesorios opcionales que pueden ser instalados en la mayoría de los modelos en cualquier momento. Póngase en contacto con su distribuidor local para obtener mayor información.

ENCENDIDO DEL FABRICADOR DE HIELO

Una vez terminada la conexión de tuberías, se debe abrir la válvula de suministro de agua. Coloque el recipiente de hielo debajo del fabricante de hielo, empujándolo tan profundamente como sea posible. Baje el brazo metálico indicador para colocarlo “abajo” o en la posición ON (encendido). Las conexiones de tuberías nuevas pueden provocar que la primera producción de cubos de hielo tenga una decoloración o sabor extraño. Deseche los primeros cubos hasta que los cubos producidos no presenten decoloración ni sabor.

APAGADO DEL FABRICADOR DE HIELO

Para apagar el fabricante de hielo, levante el brazo metálico indicador hasta que emita un clic y encaje “arriba” o en la posición OFF (apagado). El fabricante de hielo también se apaga automáticamente cuando el recipiente de hielo está lleno. Si el modelo de su refrigerador tiene un anaquel ajustable del congelador, colóquelo en la posición más baja, de manera que el brazo metálico indicador entre en contacto con el hielo cuando el recipiente esté lleno.



Fabricador de hielo

⚠ PRECAUCIÓN Los químicos de un sistema suavizador que no funcione correctamente pueden dañar el fabricante de hielo. Si el fabricante de hielo está conectado a una fuente de agua suavizada, asegúrese de que al sistema suavizador se le dé mantenimiento y que funcione correctamente.

CONSEJOS SOBRE EL FABRICADOR DE HIELO

- Los cubos de hielo que quedan almacenados por mucho tiempo pueden adquirir sabor extraño. Vacíe el recipiente de hielo y asegúrese de que el brazo metálico indicador está “abajo” o en la posición ON (encendido). Entonces el fabricante de hielo producirá más hielo.
- De vez en cuando sacuda el recipiente de hielo para mantener separados los cubos de hielo.
- Mantenga el brazo metálico indicador “arriba” o en su posición OFF (apagado) hasta que el refrigerador sea conectado al suministro de agua y cada vez que el suministro de agua esté cerrado.
- Los siguientes sonidos son normales durante el funcionamiento del fabricante de hielo:
 - Motor encendido
 - Hielo que se desprende de la bandeja
 - Hielo que cae dentro del compartimento de almacenamiento de hielo
 - Agua que corre
 - Válvula de agua que se cierra o se abre

NOTA: Para obtener mayor información sobre estas funciones, lea la sección *Sonidos que indican funcionamiento normal* en la página 39.

⚠ PRECAUCIÓN No coloque el recipiente de hielo en el lavavajillas automático.

- Lave el recipiente de hielo con agua tibia y detergente suave. Enjuague bien y séquelo.
- Apague el fabricante de hielo mientras limpia el congelador y durante las vacaciones.
- Si el fabricante de hielo va a permanecer apagado durante un largo período, cierre la válvula de suministro de agua.



Almacenamiento de alimentos e ideas para el ahorro de energía

IDEAS PARA EL ALMACENAMIENTO DE ALIMENTOS

Almacenamiento de alimentos frescos

- El compartimiento de alimentos frescos debe mantenerse entre 1,1° C (34° F) y 4,4° C (40° F) con una temperatura óptima de 2,8° C (37° F).
- Evite abarrotar los anaqueles del refrigerador, ya que esto reduce la circulación de aire alrededor de los alimentos y provoca enfriamiento irregular.

Frutas y vegetales

- El almacenamiento en los compartimientos para productos frescos encierra la humedad para ayudar a conservar la calidad de las frutas y vegetales durante más tiempo.

Carnes

- Se debe envolver de manera segura la carne roja y de aves cruda para evitar el derrame de líquidos y la contaminación de otros alimentos o superficies.

Almacenamiento de alimentos congelados

- El compartimiento del congelador debe mantenerse a una temperatura igual o menor a -17,8° C (0° F).
- El congelador funciona más eficientemente cuando tiene por lo menos 2/3 de su capacidad llena.

Empacado de alimentos para su congelación

- Para reducir la deshidratación y el deterioro de la calidad, utilice papel de aluminio, envoltura para congelar, bolsas para congelar o recipiente herméticos. Extraiga todo el aire que sea posible de los empaques y séllelos bien. El aire que queda encerrado puede secar los alimentos, cambiarles el color y darles un sabor desagradable (quemadura por congelación).
- Envuelva bien las carnes rojas y de aves frescas con envoltura para congelar antes de congelarlas.
- No congele de nuevo la carne que ya ha sido completamente descongelada.

Carga del congelador

- Evite colocar demasiados alimentos calientes en el congelador al mismo tiempo, ya que eso provoca que el congelador se sobrecargue, se reduce la velocidad de congelación y puede aumentar la temperatura de los alimentos ya congelados.
- Deje espacio entre los empaques, de manera tal que el aire frío pueda circular libremente y los alimentos se congelen tan rápidamente como sea posible.
- Evite almacenar en los anaqueles de la puerta del congelador alimentos que sean difíciles de congelar, tales como helado y jugo de naranja. Estos alimentos se conservan mejor en el interior del congelador donde la variación de la temperatura es menor.

IDEAS PARA EL AHORRO DE ENERGÍA

- Sitúe el refrigerador en la parte más fresca de la habitación, lejos de la luz solar directa y de conductos de calefacción o registros. No sitúe el refrigerador junto a electrodomésticos que generen calor tales como estufas, hornos o lavavajillas automáticos. De no ser posible, la colocación de una sección de gabinetes o una capa de aislamiento adicional entre los dos electrodomésticos permitirá el funcionamiento más eficiente del refrigerador.
- Nivele el refrigerador para que las puertas cierren bien.
- Consulte este manual de uso y cuidado para verificar la graduación recomendada del control de temperatura.
- La limpieza periódica del condensador permitirá que el refrigerador funcione más eficientemente. Vea la tabla de cuidado y limpieza en la página 40.
- No abarrote el refrigerador ni bloquee las salidas de aire frío, ya que esto provoca que el refrigerador trabaje por más tiempo y consuma más energía.
- Cubra los alimentos y seque los recipientes antes de colocarlos en el refrigerador. Esto reduce la acumulación de humedad dentro de la unidad.
- Organice el refrigerador para reducir el tiempo de apertura de las puertas. Saque la mayor cantidad de artículos que necesite de una sola vez y cierre la puerta tan pronto como sea posible.



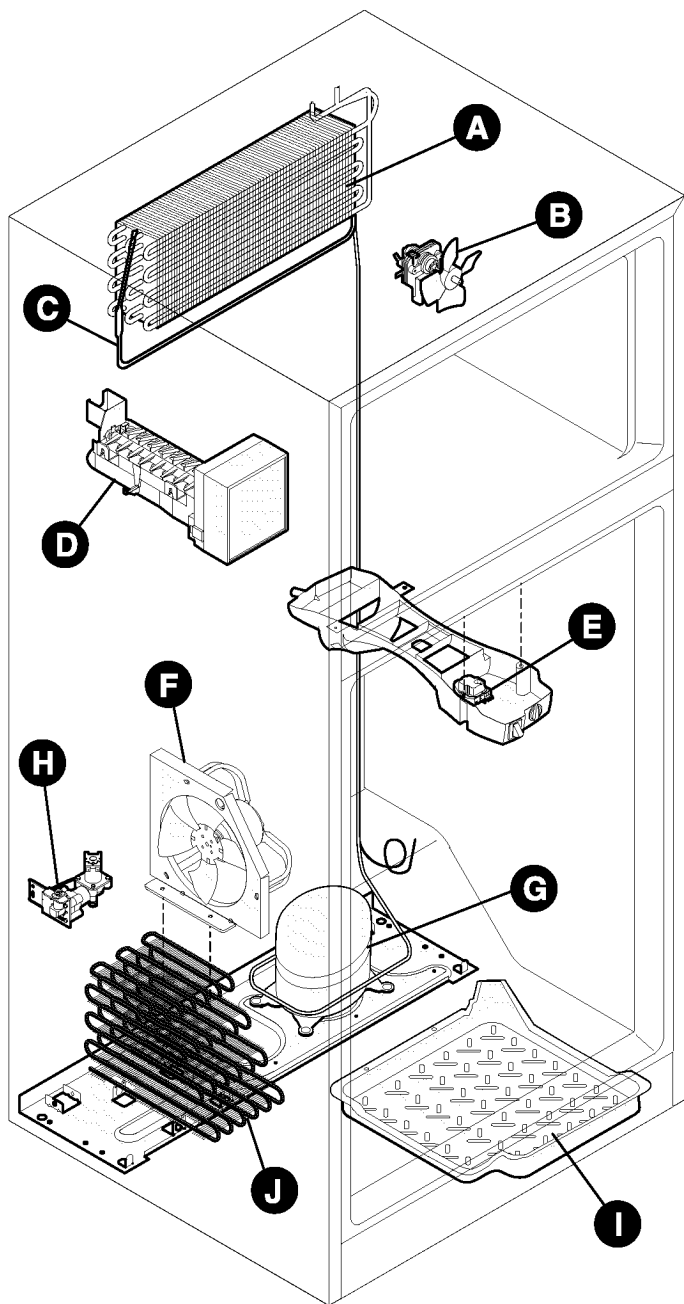


Sonidos y señales que indican funcionamiento normal

EL SIGNIFICADO DE LOS SONIDOS QUE USTED PUEDE ESCUCHAR

Su nuevo refrigerador de alta eficiencia puede hacer ruidos a los que usted no esté acostumbrado. No se asuste, estos ruidos son normales. Las superficies duras, como los pisos de vinilo o madera, paredes y armarios de cocina pueden aumentar el nivel de los ruidos. A continuación le damos una lista de descripción de algunos de los sonidos más comunes que usted puede escuchar y su causa.

NOTA: El aislamiento de espuma rígida es muy eficiente para ahorrar energía pero no es un aislante contra ruidos.



A. Evaporador

El flujo de líquido refrigerante a través del evaporador puede crear un sonido de ebullición o borboteo.

B. Ventilador del evaporador

Puede escuchar el flujo de aire que el ventilador del evaporador hace pasar a través del refrigerador.

C. Calentador de descongelación

Durante los ciclos de descongelación, el agua que escurre sobre el calentador de descongelación puede causar un sonido sibilante o chisporroteo. Después de la descongelación, puede haber un sonido de estallido.

IMPORTANTE: Durante el ciclo automático de descongelación, es posible que se note un resplandor rojo en las salidas de aire en la pared posterior del compartimiento del congelador. Esta característica es normal durante el ciclo de descongelación.

D. Fabricador automático de hielo

Si su refrigerador está equipado con un fabricante automático de hielo, usted escuchará el sonido de los cubitos de hielo al caer en el recipiente de hielo.

E. Reloj de descongelación y control de enfriamiento

Estas partes pueden producir un chasquido al encender y apagar el refrigerador. El reloj también produce sonidos similares a los de un reloj eléctrico.

F. Ventilador del condensador

Si los serpentines del condensador están ubicados debajo del refrigerador, como se muestra en el dibujo de la izquierda, existe un ventilador del condensador. Usted puede escuchar el aire que el ventilador del condensador hace pasar a través del condensador.

G. Compresor

Los compresores modernos de alta eficiencia funcionan con mayor velocidad que los modelos antiguos. El compresor puede generar un zumbido alto o un sonido palpitante.

H. Válvula de agua

Si su refrigerador está equipado con un fabricante automático de hielo, usted escuchará un zumbido a medida que la válvula de agua se abre para llenar el fabricante de hielo en cada ciclo.

I. Bandeja de drenaje (no se puede desmontar)

Es posible que usted escuche el agua correr hacia la bandeja de drenaje durante el ciclo de descongelación. Esta bandeja está ubicada sobre el compresor de los condensadores enfriados por aire (serpentes negros en la parte posterior del refrigerador).

J. Serpentes de condensación (sólo en modelos de refrigeración por ventilación)



Cuidado y limpieza

Mantenga su refrigerador y congelador limpios para evitar la aparición de olores desagradables. Limpie cualquier derrame inmediatamente y limpie ambos compartimientos por lo menos dos veces al año. **Nunca** utilice esponjas para restregar, cepillos, limpiadores abrasivos ni soluciones alcalinas fuertes para limpiar las superficies. **No** lave ninguna de las piezas móviles en el lavavajillas automático. **Siempre desenchufe el cable de alimentación eléctrica de la toma de corriente de pared antes de la limpieza.**

⚠ PRECAUCIÓN

- **Al mover el refrigerador, sáquelo directamente hacia afuera. No mueva el refrigerador de lado a lado porque podría rasgar o levantar la cubierta del piso. Si el refrigerador tiene un fabricante automático de hielo, tenga cuidado de no mover el refrigerador más allá de lo que permiten las conexiones de tuberías.**
- **Los objetos húmedos se adhieren a las superficies metálicas frías. No toque las superficies refrigeradas con las manos mojadas o húmedas.**
- **Para evitar daños y lograr que el refrigerador funcione con la mayor eficiencia posible, limpie el condensador periódicamente.**

NOTAS:

- Al colocar el control de temperatura del refrigerador en la posición "0" (apagado) se apaga el compresor, pero no se desconecta la corriente eléctrica que alimenta la bombilla y otros componentes eléctricos.
- No utilice hojas de afeitar ni otros instrumentos afilados para quitar las etiquetas adhesivas porque puede dañar la superficie del aparato. Cualquier residuo de pegamento de etiquetas o cintas puede eliminarse con una mezcla de agua tibia y detergente suave; también puede levantar el residuo de goma con la parte adhesiva de la cinta que ya haya quitado. **No quite la placa de identificación.**

Tabla de cuidado y limpieza		
Parte	Que debe utilizar	Consejos y precauciones
Interior/ Revestimiento de la puerta	<ul style="list-style-type: none"> • Jabón y agua • Bicarbonato de soda y agua 	Use 2 cucharadas de bicarbonato de soda en 0,97 litros (1/4 de galón) de agua tibia. Asegúrese de exprimir todo el exceso de agua de la esponja o el paño antes de limpiar la zona alrededor de los controles, la bombilla y cualquier otra parte eléctrica.
Juntas de las puertas	<ul style="list-style-type: none"> • Jabón y agua 	Limpie las juntas con un paño suave y limpio.
Compartimientos	<ul style="list-style-type: none"> • Jabón y agua 	No lave ninguna de las partes móviles (compartimientos, cajones, etc.) en el lavavajillas automático.
Anaqueles de vidrio	<ul style="list-style-type: none"> • Jabón y agua • Limpiavidrios • Aerosol líquido suave 	Deje que el vidrio adquiera la temperatura ambiente antes de sumergirlo en el agua tibia.
Rejilla de la base	<ul style="list-style-type: none"> • Jabón y agua • Aerosol líquido suave • Accesorio de aspiradora 	Aspire el polvo de la parte delantera de la rejilla de la base. Quite la rejilla (vea la ilustración en la página 26). Aspire la parte posterior y limpie con un paño o esponja impregnada de agua jabonosa. Enjuague y seque.
Exterior y manillas	<ul style="list-style-type: none"> • Jabón y agua 	No utilice limpiadores comerciales para uso doméstico, amoníaco ni alcohol para limpiar las manillas.
Exterior y manillas (Sólo para modelos de acero inoxidable)	<ul style="list-style-type: none"> • Jabón y agua • Amoníaco • Limpiadores de acero inoxidable 	Limpie la parte delantera y las manijas de acero inoxidable con una solución no abrasiva de agua con jabón y un paño. Enjuague con agua limpia y un paño suave. Limpie las manchas difíciles con una toalla de papel impregnada en amoníaco y luego enjuague. Use un limpiador no abrasivo para acero inoxidable. Estos limpiadores pueden ser adquiridos en la mayoría de los almacenes de mejoras de viviendas o tiendas de departamentos. Siempre siga las instrucciones del fabricante. NOTA: Siempre limpie, frote y seque a favor del grano para evitar rayado contra el grano del acero. Lave el resto del gabinete con agua tibia y un detergente líquido suave. Enjuague bien y seque con un paño suave y limpio.
Serpentines del condensador (sólo en modelos de refrigeración por ventilación)	<ul style="list-style-type: none"> • El cepillo para la limpieza de los condensadores, lo podrá adquirir donde compró el equipo. • Aspiradora 	No hay necesidad de utilizarla a no ser que el refrigerador haya estado funcionando en unas condiciones de polvo o suciedad extremas o bien, si su hogar se encuentra cerca de vías con circulación pesada. Si fuera necesario limpiarlo, retire la rejilla de la base y utilice la boquilla alargada de la aspiradora y el cepillo para limpieza de condensadores para eliminar cualquier acumulación de polvo en los serpentines de condensación (artículo "J" en la página 39).
Serpentines del condensador (sólo en modelos de refrigeración por aire)	<ul style="list-style-type: none"> • Aspiradora 	Utilice la boquilla para quitar polvo de la aspiradora para quitar el exceso de polvo de los serpentines del condensador (tubos negros y cableado) que están en el parte posterior de los refrigeradores enfriados por aire.
Bandeja de agua descongelada	<ul style="list-style-type: none"> • Jabón y agua 	Ciertos modelos tienen una bandeja para recoger el agua descongelador, ubicada sobre el compresor en la parte posterior inferior del refrigerador (vea la ilustración en la página siguiente). Limpie la bandeja de agua con un paño húmedo.



Cuidado y limpieza (continuación)

NUNCA LIMPIE EL CONDENSADOR (ALGUNOS MODELOS)

Si su refrigerador está equipado con un condensador *Never Clean*, no será necesario limpiar el condensador en condiciones de funcionamiento normales. Si el refrigerador funciona en condiciones extremas de polvo o grasa o bien, su hogar se encuentra cerca de vías con circulación pesada, es posible que sea necesario limpiar periódicamente el condensador para que proporcione el máximo rendimiento.

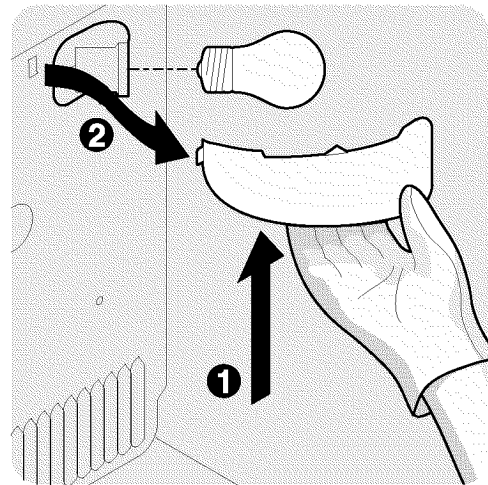


Bandeja de agua descongelaada
(en ciertos modelos)

PRECAUCIÓN Tenga cuidado de no cortarse al reemplazar las bombillas; utilice guantes.

REEMPLAZO DE LA BOMBILLA DEL CONGELADOR (EN CIERTOS MODELOS)

1. Desenchufe el refrigerador.
2. Use guantes como protección en caso de que haya vidrios rotos.
3. Levante la pantalla de la luz, como se muestra en la figura.
4. Desenrosque y reemplace la bombilla quemada con una nueva de igual vatiaje.
5. Coloque de nuevo la pantalla.
6. Recuerde enchufar de nuevo el refrigerador.



Consejos para las vacaciones y mudanzas	
Vacaciones cortas	<ul style="list-style-type: none"> • Deje el refrigerador funcionando durante periodos de vacaciones de hasta 3 semanas de duración. • Consuma todos los alimentos perecederos del compartimiento del refrigerador. • Apague el fabricante automático de hielo, incluso si sólo se ausenta por unos pocos días.
Vacaciones largas	<ul style="list-style-type: none"> • Retire todos los alimentos y el hielo si se va a ausentar por un mes o más tiempo. • Apague todos los controles "0" desconecte la energía eléctrica. • Apague el fabricante automática de hielo y cierre la válvula de suministro de agua. • Limpie profundamente el interior del refrigerador. • Deje las dos puertas abiertas para evitar la aparición de olores y de moho. Si es necesario,
Mudanza	<ul style="list-style-type: none"> • Retire todos los alimentos y el hielo. • Si usa una carretilla, cargue el refrigerador por el costado. • Ajuste las ruedas completamente hacia arriba para protegerlas durante el traslado o mudanza. • Acolche el gabinete para evitar raspaduras en la superficie.



Información sobre la garantía

GARANTÍA DEL REFRIGERADOR

Su refrigerador está protegido por esta garantía

	PERÍODO DE GARANTÍA	LA EMPRESA, A TRAVÉS DE SUS CENTROS DE SERVICIO TÉCNICO AUTORIZADO:	EL CONSUMIDOR ES RESPONSABLE DE:
GARANTÍA COMPLETE POR UN AÑO	Un año a partir de la fecha original de compra.	Pagará todos los costos de reparación o reemplazo de piezas de este aparato que tengan defectos en los materiales o en la mano de obra. Excluye los cartuchos originales y de reemplazo de los filtros de agua y hielo (en caso de incluirlos). Los catuchos originales y de reemplazo tienen una garantía de 30 días (sólo repuestos).	Usted deberá cancelar los costos de las visitas de servicio técnico que se describen en la sección RESPONSABILIDADES NORMALES DEL CONSUMIDOR. *
GARANTÍA LIMITADA DEL 2do. AL 5to. AÑO (Revestimiento del gabinete y sistema sellado)	Del segundo al quinto año a partir de la fecha original de compra.	Reparará o reemplazará cualquier pieza del revestimiento del gabinete o del sistema sellado de refrigeración (compresor, condensador, evaporador, secador y tubería) que tenga defectos en los materiales o en la mano de obra.	Costos para recoger y entregar al aparato que sean necesarios por concepto de servicio técnico. Costos de mano de obra, piezas y transporte que no sean relativos al revestimiento del gabinete o al sellado de refrigeración.
GARANTÍA LIMITADA (Para el Estado de Alaska)	Los periodos de tiempo especificados anteriormente.	Se aplican todas las disposiciones de las garantías completas anteriores, así como las exclusiones enumeradas a continuación.	Costos de traslado del técnico a su hogar y cualesquiera costos para recoger y entregar el aparato que sean necesarios por concepto de servicio técnico.

En los Estados Unidos, su aparato está garantizado por Electrolux Home Products North America, una división de White Consolidated Industries Inc. No autorizamos a nadie a cambiar ni ampliar ninguna de nuestras obligaciones estipuladas en esta garantía. Nuestras obligaciones en cuanto a servicio técnico y repuestos estipuladas en esta garantía deben ser llevadas a cabo por la empresa o un centro de servicio técnico autorizado por Electrolux Home Products North America. En Canadá, su aparato está garantizado por WCI Canada Inc.

***RESPONSABILIDADES NORMALES DEL CONSUMIDOR**

Esta garantía solamente a los productos cubre de uso doméstico normal y el consumidor es responsable por lo siguiente:

1. Uso correcto del aparato de acuerdo con las instrucciones proporcionadas con el producto.
2. Instalación correcta por un técnico autorizado de acuerdo con las instrucciones proporcionadas con el aparato y conforme con las normativas locales de instalaciones eléctricas, de gas o plomería.
3. Conexión adecuada a una fuente de energía eléctrica con conexión a tierra y con el voltaje apropiado, cambio de fusibles fundidos, reparación de conexiones sueltas o defectos en el cableado del hogar.
4. Gastos de hacer accesible el aparato para el servicio técnico, como quitar la banda decorativa, gabinetes, anaqueles, etc., que no formaban parte del aparato cuando fue despachado desde la fábrica.
5. Daños al acabado después de la instalación.
6. Reemplazo de bombillas y/o tubos fluorescentes (en los modelos con estas características).

EXCLUSIONES

Esta garantía no cubre lo siguiente:

1. DAÑOS CONSECUENTES O INCIDENTALES, TALES COMO LOS DAÑOS A LA PROPIEDAD Y GASTOS INCIDENTALES RESULTANTES DE CUALQUIER INCUMPLIMIENTO DE ESTA GARANTÍA ESCRITA O CUALQUIER OTRA GARANTÍA IMPLÍCITA.

NOTAS: Algunos estados no permiten la exclusión o limitación de daños incidentales o consecuentes, por lo que la presente limitación o exclusión podría no aplicarse en su caso.

2. Visitas de servicio técnico que no se refieran a mal funcionamiento o defectos en la mano de obra o en los materiales, o que se refieran a aparatos que no tengan uso doméstico. El consumidor pagará por dichas visitas.
3. Daños causados por servicio técnico realizado por personal técnico que no sea de Electrolux Home Products North America ni esté autorizado por Electrolux Home Products North America; el uso de repuestos distintos a los repuestos genuinos de Electrolux Home Products, obtenidos de personas que no sean dichos técnicos de servicio; o causas externas como abuso, mal uso, suministro de energía inadecuado o hechos fortuitos.
4. Productos con los números de serie originales eliminados o alterados y que no puedan determinarse oportunamente.

SI REQUIERE SERVICIO

Conserve la factura de compra, el recibo de entrega o cualquier otro registro de pago apropiado. La fecha de la factura determina el período de garantía, si se requiere servicio técnico. Si se realiza el servicio técnico, le conviene obtener y conservar todos los recibos. Esta garantía escrita le otorga ciertos derechos legales. Usted puede tener otros derechos que varían de acuerdo a la legislación estatal. El servicio técnico estipulado en esta garantía debe ser solicitado a través de Electrolux Home Products en el siguiente teléfono y dirección:

Esta garantía es válida sólo en los 50 estados de EE.UU., en Puerto Rico, y Canadá. Las características o especificaciones descritas o ilustradas están sujetas a cambios sin previo aviso. Todas las garantías las otorga Electrolux Home Products North America, una división de White Consolidated Industries Inc. En Canadá, su aparato está garantizado por WCI Canada Inc.

01-U-RE-02 (Rev. 12/2000)

USA

800•944•9044

Electrolux Home Products North America
P.O. Box 212378
Augusta, GA 30917

Canada

866•213•9397

Electrolux Home Products North America
6150 McLaughlin Road
Mississauga, Ontario
L5R 4C2

ATENCIÓN

Para garantizar la correcta instalación del refrigerador, vea la sección “Instalación” en las páginas 26 y 27



Para realizar la inversión de las puertas, vea la sección “Extracción e inversión de puertas” en las páginas del 28 al 31



Antes de llamar al servicio técnico

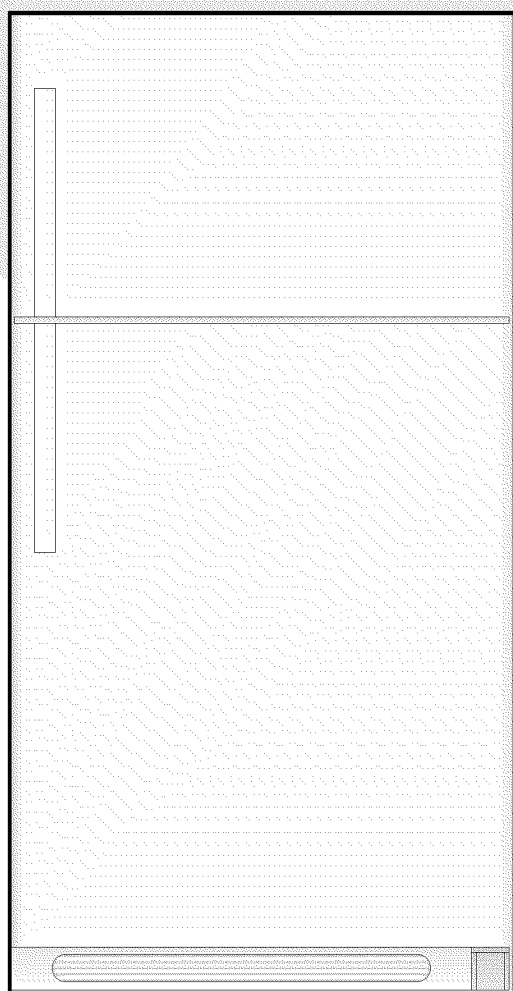
Problemas frecuentes	Antes de llamar al servicio técnico, revise la siguiente lista. Al hacerlo puede ahorrar tiempo y dinero. La siguiente lista incluye problemas frecuentes que no son el resultado de defectos en la mano de obra o de materiales de este aparato.
El refrigerador no funciona.	<ul style="list-style-type: none"> • Asegúrese de que el enchufe está introducido firmemente en la toma de corriente eléctrica. • Verifique/reemplace el fusible con un fusible de tiempo de retardo de 15 amp. Reajuste el disyuntor cortacircuitos. • El control de temperatura está en la posición Off (apagado). • El refrigerador puede estar en el ciclo de descongelado. Espere 20 minutos y vuelva a revisar.
La temperatura del congelador es muy fría. La temperatura del refrigerador es satisfactoria.	<ul style="list-style-type: none"> • Gradúe el control del congelador a una posición menos fría hasta que la temperatura del congelador sea satisfactoria. Espere 24 horas para que la temperatura se estabilice.
La temperatura del refrigerador es muy fría. La temperatura del congelador es satisfactoria.	<ul style="list-style-type: none"> • Gradúe el control del refrigerador a una posición menos fría. Espere 24 horas para que la temperatura se estabilice. Luego verifique la temperatura del congelador y haga los ajustes que sean necesarios.
* El refrigerador hace mucho ruido o vibra.	<ul style="list-style-type: none"> • El gabinete no está nivelado. • El piso no es resistente.
Hay olores en el refrigerador.	<ul style="list-style-type: none"> • Se debe limpiar el interior. • Se deben cubrir o envolver los alimentos que producen olor.
La luz del gabinete no funciona.	<ul style="list-style-type: none"> • Reemplace la bombilla. • Asegúrese de que el enchufe está introducido firmemente en la toma de corriente eléctrica. • El interruptor de la luz puede estar trabado. Para soltarlo, haga presión sobre el interruptor, ubicado en la caja de control del refrigerador.
El fabricante automático de hielo no funciona (en ciertos modelos).	<ul style="list-style-type: none"> • Asegúrese de que el brazo metálico indicador no esté en la posición hacia “arriba” . • El fabricante de hielo debe producir 1,8 a 2,25 kg. (4 a 5 libras) de hielo en un período de 24 horas. • El suministro de agua está cerrado. • La presión de agua es muy baja. • El congelador no está suficientemente frío.

* Lea la sección denominada Sonidos y señales que indican funcionamiento normal en la página 39.

Manuel d'utilisation et d'entretien

Réfrigérateur

À montage supérieur



Visitez le site Internet
de Frigidaire au :
<http://www.frigidaire.com>

Bienvenue 46



Recommandations pour une utilisation sécuritaire 47



Installation -- Inclut le raccord en option pour raccorder la glacière à l'alimentation en eau 48 - 49



Dépose et inversion des portes 50 - 53



Aperçu des caractéristiques 54



Commandes de température 55



Vue de l'intérieur 56 - 58



Fabrication de glace 59



Conseils pour la conservation des aliments et l'économie d'énergie 60



Bruits de fonctionnement normaux 61



Entretien et nettoyage ... 62- 63



Garantie 64



Avant d'appeler 65



LIRE ET CONSERVER CES INSTRUCTIONS



Bienvenue et félicitations

Félicitations pour l'achat de votre nouveau réfrigérateur! Nous, de **Electrolux Home Products**, sommes très fiers de nos produits et nous sommes déterminés à vous offrir le meilleur service possible. Votre satisfaction est notre priorité.

Veillez lire attentivement ce manuel d'utilisation et d'entretien. Il contient de précieuses informations sur la meilleure façon d'entretenir votre nouveau réfrigérateur.

Nous sommes certains que vous apprécierez votre nouveau réfrigérateur et merci d'avoir choisi un de nos produits. Nous souhaitons que vous nous soyez fidèles pour vos prochains achats.

VEUILLEZ LIRE CES INSTRUCTIONS ET LES CONSERVER

Ce Manuel d'utilisation et d'entretien fournit des instructions de fonctionnement spécifiques pour votre modèle. N'utilisez votre réfrigérateur que de la façon indiquée dans ce manuel. Ces instructions n'ont pas la prétention de couvrir toutes les conditions ou situations susceptibles de se produire. Il faut faire preuve de bon sens et de prudence chaque fois que l'on installe un appareil, qu'on le fait fonctionner ou qu'on en fait la maintenance.

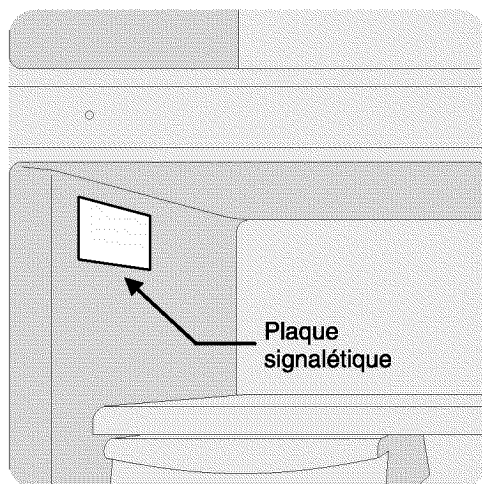
Veillez indiquer les numéros de modèle et de série ci-dessous pour référence future. Ces informations se trouvent sur la plaque signalétique située à l'intérieur de votre réfrigérateur.

REMARQUE : N'utilisez que de l'eau et du savon pour nettoyer la plaque signalétique.

Numéro de modèle : _____

Numéro de série : _____

Date de l'achat : _____



Veillez remplir et poster la **Carte d'enregistrement du produit** incluse avec votre réfrigérateur.

Vous avez des questions ?

1-800-944-9044

(États-Unis)

1-866-294-9911

(Canada)

Prolongez votre garantie avec un *contrat de service prolongé*

**Composez le 1-800-944-9044
pour bénéficier des avantages
suivants :**

- **Libération totale des factures de réparation** de sorte que les réparations surprises ne crèvent pas votre budget.
- **Service d'entretien commode et rapide** grâce à un no. de téléphone sans frais.
- **Réparations de première qualité** par des experts entraînés à l'usine.
- **Accessibilité immédiate aux pièces d'origine authentiques** de sorte que vous soyez assuré que votre réfrigérateur soit réparé avec les pièces adéquates.

Veillez attacher les reçus de ventes ici pour référence future.



Recommandations pour une utilisation sécuritaire



AVERTISSEMENT

Veuillez lire toutes instructions avant d'utiliser ce réfrigérateur.

POUR VOTRE SÉCURITÉ

- Ne pas ranger ni utiliser d'essence ou tout autre liquide inflammable à proximité de cet appareil ou de tout autre appareil. Lire les étiquettes du produit pour vous informer de tout indice d'inflammabilité ou de toutes autres précautions d'usage.
- Ne pas faire fonctionner le réfrigérateur en présence d'émanations explosives.
- Éviter tout contact avec les pièces mobiles de la glacière automatique.
- Enlever toutes les agrafes du carton. Les agrafes peuvent causer des coupures importantes et endommager le fini des meubles et des appareils électroménagers.

LA SÉCURITÉ DES ENFANTS

Jeter au rebut ou recycler le carton, les sacs de plastique et tous les autres matériaux d'emballage immédiatement après avoir débarrassé le réfrigérateur. Les enfants ne devraient jamais jouer avec ces matériaux. Les morceaux de carton couverts de tapis, d'un couvre-lit, de feuilles de plastique ou de film étirable peuvent facilement se transformer en construction étanche et causer rapidement l'asphyxie.



AVERTISSEMENT

Ces directives doivent être suivies pour assurer le bon fonctionnement des dispositifs de sécurité de ce réfrigérateur.

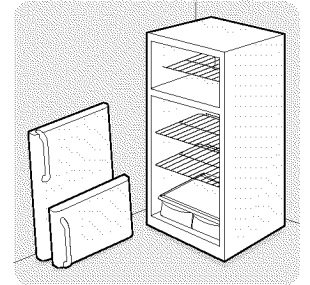
INFORMATIONS SUR LE SYSTÈME ÉLECTRIQUE

- **Le réfrigérateur doit être branché à sa propre prise de courant alternatif de 115 volts et de 60 Hz.** Le cordon d'alimentation de l'appareil est muni de 3 broches avec mise à la terre pour assurer une protection accrue contre les risques d'électrocution. La fiche électrique à 3 broches doit être branchée directement dans une prise de courant appropriée avec mise à la terre. La prise de courant doit respecter les codes locaux et les ordonnances. Consulter un électricien qualifié. **Ne pas utiliser de rallonge ni d'adaptateur.**
- Réparer ou remplacer immédiatement un cordon électrique usé ou endommagé.
- Ne jamais débrancher le réfrigérateur en tirant sur le cordon électrique. Toujours saisir fermement la fiche et la tirer directement de la prise de courant afin de ne pas endommager le cordon électrique.
- Pour réduire les risques de choc électrique, toujours débrancher le réfrigérateur avant de le nettoyer ou de changer une ampoule.
- Le rendement de l'appareil peut être affecté par une variation de tension de 10% ou plus. Faire fonctionner le réfrigérateur avec une alimentation électrique insuffisante peut endommager le compresseur. Ce type de dommages ne sont pas couverts par votre garantie.
- Pour éviter que le courant électrique qui alimente le réfrigérateur ne soit accidentellement coupé, ne pas brancher l'appareil à une prise de courant contrôlée par un interrupteur mural ni tirer sur le cordon électrique.
- Éviter de brancher le réfrigérateur à un interrupteur à circuit de terre contrôlé.

MISE AU REBUT APPROPRIÉE DE VOTRE RÉFRIGÉRATEUR OU CONGÉLATEUR

Risque de piégeage des enfants

Le piégeage et la suffocation d'enfants n'est pas un problème du passé. Les réfrigérateurs et les congélateurs abandonnés sont toujours dangereux—même pour quelques jours. Si vous vous débarrassez de votre vieux réfrigérateur ou congélateur, veuillez suivre les consignes suivantes pour éviter les accidents.

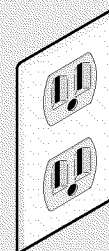


Avant de jeter au rebut votre vieux réfrigérateur/congélateur:

- Enlever les portes.
- Laissez les tablettes en place pour empêcher que les enfants n'y entrent facilement.
- Faites enlever le réfrigérant par un technicien qualifié.

REMARQUE: Tourner la commande de température du réfrigérateur à «0» éteint le compresseur sans pour autant couper le courant qui alimente l'ampoule électrique ou les autres composants électriques.

Prise murale avec mise à la terre



Ne jamais couper, enlever ou contourner la broche de mise à la terre.



Cordon d'alimentation à 3 broches avec mise à la terre



Installation

Ce Manuel d'utilisation et d'entretien fournit des instructions de fonctionnement spécifiques pour votre modèle. N'utilisez le réfrigérateur que de la façon indiquée dans ce manuel d'utilisation et d'entretien. **Avant de faire fonctionner le réfrigérateur, suivez ces premières étapes importantes.**

EMPLACEMENT

- Placer le réfrigérateur près d'une prise de courant avec mise à la terre. Ne pas utiliser de rallonge ni d'adaptateur.
- Si possible, ne pas placer le réfrigérateur directement sous la lumière du soleil et le placer loin de la cuisinière, du lave-vaisselle et des autres sources de chaleur.
- Le réfrigérateur doit être installé sur un plancher à niveau et suffisamment solide pour supporter le poids du réfrigérateur une fois rempli.
- Prendre en considération la proximité de l'approvisionnement en eau pour les modèles équipés d'une glacière automatique.

INSTALLATION

- Ne pas installer le réfrigérateur dans un endroit où la température descend en dessous de 13 °C (55 °F) ou monte au-dessus de 43 °C (110 °F). Le compresseur ne pourra maintenir la température appropriée à l'intérieur du réfrigérateur.

⚠ MISE EN GARDE Ne pas obstruer le grillage inférieur situé à l'avant de votre réfrigérateur. Une bonne circulation d'air est essentielle pour que votre réfrigérateur fonctionne correctement.

Dégagement nécessaire pour l'installation

- Laisser le dégagement suivant pour faciliter l'installation et permettre une bonne circulation d'air et les connexions électriques et de plomberie:
Côtés et dessus ----- 1cm (3/8 po)
Arrière ----- 2,5 cm (1 po)

REMARQUE: Si vous voyez des serpentins/de la tuyauterie noirs à l'arrière de votre réfrigérateur (condenseur refroidi par air) laissez 7,6 cm (3 po) de dégagement au-dessus de votre réfrigérateur.

OUVERTURE DE LA PORTE

REMARQUE : Si votre réfrigérateur est positionné contre un mur sur le côté des pentures, vous devrez peut-être le distancer du mur pour permettre une plus grande ouverture de la porte.

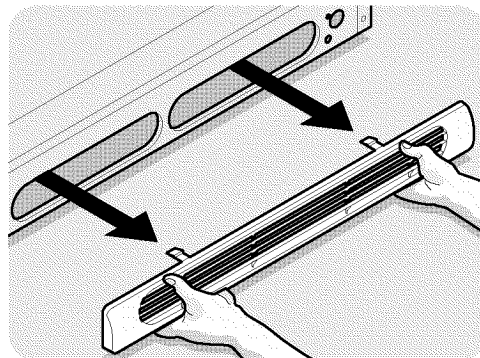
Votre réfrigérateur doit être placé près d'un comptoir de manière à vous permettre d'y déposer facilement la nourriture. Pour vous faciliter la tâche, la direction des portes peut être inversée. Consulter les instructions de la section « Dépose et inversion des portes » à la page 50.

MISE À NIVEAU

Les quatre coins de votre réfrigérateur doivent reposer fermement sur un plancher solide. Votre réfrigérateur est équipé de pieds de nivellement à l'avant pour vous aider le mettre à niveau.

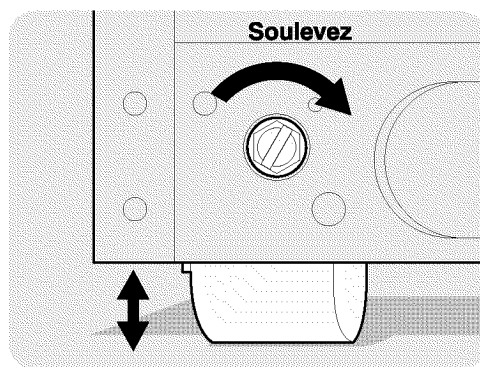
Pour mettre votre réfrigérateur à niveau :

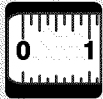
1. Enlevez le grillage inférieur.



2. Utilisez un tournevis à lame plate ou une clé à douilles de 9 mm (3/8 po) pour régler les pieds de nivellement avant.

REMARQUE : Surélevez suffisamment l'avant de votre réfrigérateur afin que les portes se ferment d'elles-mêmes lorsqu'elles sont à moitiés ouvertes. Le réfrigérateur doit présenter une dénivellation de 6 à 13 mm (1/4 à 1/2 po) entre l'avant et l'arrière. Ensuite, mettez le réfrigérateur à niveau latéralement.





Installation - Raccorder la glacière en option à l'alimentation en eau

AVERTISSEMENT Afin d'éviter tout risque de chocs électriques qui pourraient entraîner des blessures graves ou même la mort, toujours débrancher le réfrigérateur de la prise de courant avant de le raccorder à l'alimentation en eau.

MISE EN GARDE Pour éviter des dommages matériels :

- Il est recommandé d'utiliser des tuyaux en cuivre pour l'alimentation en eau. Les tuyaux en plastique de 6,4 mm (¼ po) ne sont pas recommandés, car ils présentent d'importants risques de fuite. Le fabricant ne sera tenu responsable pour aucun dommage résultant de l'utilisation de tuyaux en plastique.
- **NE PAS** installer les tuyaux d'alimentation en eau dans un endroit où la température peut descendre en dessous du point de congélation.
- Les produits chimiques provenant d'un système d'adoucisseur d'eau défectueux peuvent endommager la glacière. Si la glacière est connectée à un tel système, s'assurer qu'il est bien entretenu et qu'il fonctionne correctement.

IMPORTANT : S'assurer que les raccordements d'alimentation en eau respectent tous les codes de plomberie locaux.

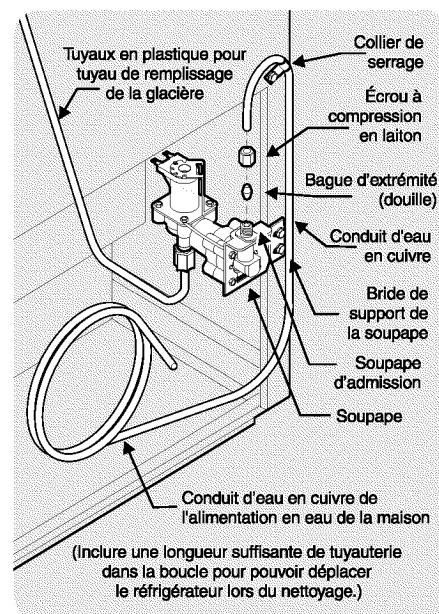
Avant d'installer de l'alimentation en eau, vous aurez besoin

- **Outils nécessaires** : clé à ouverture variable, tournevis standard à lame plate et tournevis Phillips™.
- Accès au conduit d'alimentation en eau froide de la maison ayant une pression d'eau de 20 à 120 psi.
- Un conduit d'alimentation d'eau en cuivre de 6,4 mm (¼ po) de diamètre intérieur. Pour déterminer la longueur du conduit en cuivre dont vous aurez besoin, vous devrez mesurer la distance entre la soupape de la glacière, située à l'arrière du réfrigérateur, et le conduit d'eau froide. Puis ajouter environ 2,1 m (7 pi), afin de permettre le déplacement du réfrigérateur lors du nettoyage (voir illustration).
- Une vanne d'arrêt branchée au conduit en eau de votre maison. **NE PAS** utiliser de vanne d'arrêt autotaraudeus.
- Un écrou à compression et une bague d'extrémité (douille) pour raccorder le conduit d'alimentation en eau à la soupape d'admission de la glacière.

REMARQUE : La trousse de conduit d'eau numéro 5303917950, disponible chez votre fournisseur (pour un coût additionnel), contient un conduit en cuivre de 7,6 m (25 pi) d'un diamètre extérieur de 6,4 mm (¼ po), une vanne d'arrêt de type étrier (non autotaraudeuse), deux écrous à compression en laiton de 6,4 mm (¼ po), deux bagues d'extrémité/douilles, ainsi que des directives d'installation du conduit d'alimentation.

Pour raccorder le conduit d'alimentation en eau à la soupape d'admission de la glacière

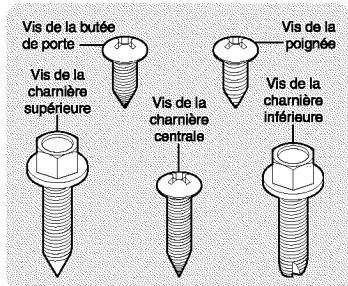
1. Débrancher le réfrigérateur de la prise de courant.
2. Placer l'extrémité du conduit d'alimentation en eau dans un évier ou un seau. OUVRIER l'alimentation en eau et laisser s'écouler l'eau jusqu'à ce qu'elle soit claire. FERMER l'alimentation en eau à partir de la vanne d'arrêt.
3. Dévisser le capuchon de plastique de la soupape d'admission (certains modèles) et le jeter.
4. Faire glisser l'écrou à compression en laiton puis la bague d'extrémité (douille) sur le conduit d'alimentation en eau, tel qu'illustré.
5. Pousser le conduit d'alimentation en eau dans la soupape d'admission aussi profondément que possible (6,4 mm [¼ po]). Faire glisser la bague d'extrémité (douille) dans la soupape d'admission et visser à la main l'écrou à compression sur la soupape. Visser d'un autre demi-tour avec une clé; **NE PAS** trop serrer.
6. À l'aide d'un collier de serrage et d'une vis, bien fixer le conduit d'alimentation en eau à l'arrière du panneau du réfrigérateur à l'endroit illustré.
7. Enrouler le surplus du conduit d'alimentation en eau (environ 2 tours et demi) à l'arrière du réfrigérateur tel qu'illustré à la figure 1 et le placer de manière à ce qu'il ne vibre pas et ne frotte pas contre une surface.
8. OUVRIER l'alimentation en eau à partir de la vanne d'arrêt et resserrer tous les raccords qui présentent des fuites.
9. Brancher le réfrigérateur à la prise de courant.
10. Pour faire fonctionner la glacière, rabaisser le levier de signalisation (le commutateur du levier de signalisation se trouve à l'avant de la glacière).



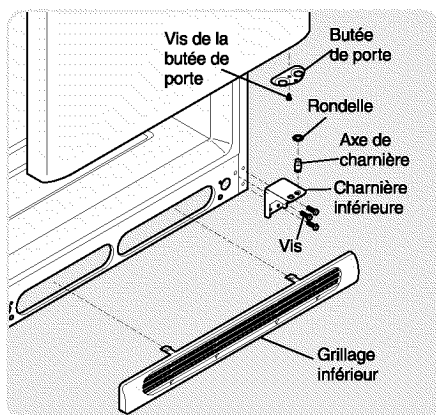
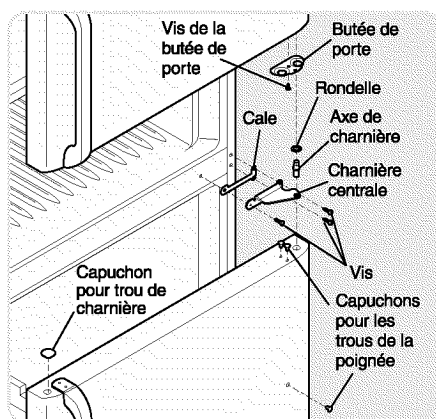
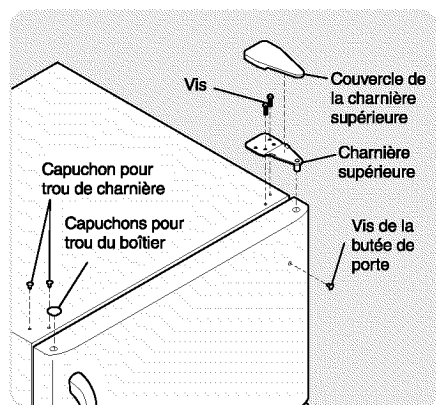
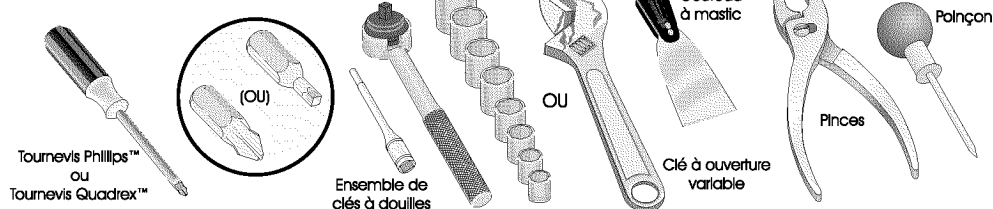
IMPORTANT: La glacière prend environ 24 heures avant de commencer à produire des glaçons. La présence d'air dans le nouveau conduit d'alimentation en eau peut faire en sorte que la glacière prenne deux ou trois cycles avant de produire un plein bac à glaçons. Le nouveau conduit d'alimentation en eau peut également amener la production de glaçons décolorés ou ayant un goût désagréable. Jeter les glaçons produits au cours des premières 24 heures.



Dépose des portes et instructions pour l'inversion



Outils nécessaires :



DÉPOSE DES PORTES ET INSTRUCTIONS POUR L'INVERSION :

REMARQUE : Si votre réfrigérateur est muni de portes en acier inoxydable - passer à la section « Enlever les portes et les poignées en acier inoxydable », à la page 53.

REMARQUE : Le sens d'ouverture des portes de votre réfrigérateur peut être inversé de la gauche vers la droite ou vice versa, en déplaçant les charnières de porte du côté opposé. L'inversion du sens d'ouverture des portes doit être effectuée par du personnel qualifié.

IMPORTANT : Avant de commencer, tourner la commande de température du réfrigérateur à « 0 » pour l'éteindre et débrancher le cordon électrique de la prise de courant. Enlever tout ce qui se trouve sur les étagères de la porte.

1. Enlever le grillage inférieur et le couvercle de la charnière supérieure.
2. Enlever la penture du haut avec une douille de 3/8" et soulevez la porte du congélateur hors du gond de la penture de centre. Mettre la porte de côté.
3. Dévisser l'axe de charnière centrale à l'aide d'une clé à ouverture variable et mettre de côté pour le réassemblage. S'assurer que la rondelle en plastique reste sur l'axe de charnière.
4. Soulever la porte du réfrigérateur de la charnière inférieure et la mettre de côté.
5. Enlever la penture du centre et la cale en enlevant la vis intérieure et relâchant les deux vis extérieures suffisamment pour permettre à la penture et la cale d'être glissés hors position. Resserrez les vis.
6. Desserrer les deux vis à l'extérieur qui se trouvent du côté opposé du réfrigérateur, enlever la vis à l'intérieur et installer la charnière centrale.
7. Enlever la penture de bas avec une douille de 3/8". Insérer les deux vis à l'extérieur et resserrer. La vis à l'intérieur va du côté opposé à l'étape 8.
8. Enlever les deux vis à l'extérieur qui se trouvent du côté opposé du réfrigérateur et installer la charnière inférieure. Insérez les vis mises de côté à l'étape 7 et serrez les.
9. Dévisser l'axe de la charnière inférieure à l'aide d'une clé à ouverture variable. Mettre l'axe de charnière dans le trou de l'autre côté et resserrer à l'aide d'une clé à ouverture variable.
10. Inverser les poignées de porte (voir les instructions à la page suivante).
11. Déplacer les butées de la porte du congélateur et de celle du réfrigérateur du côté opposé. Avant de commencer à visser, utilisez un poinçon pour percer la mousse.
12. Placer la porte du réfrigérateur dans l'axe de la charnière inférieure et visser l'axe de la charnière centrale dans la charnière centrale au haut de la porte. Fermez la porte du réfrigérateur pour aider à l'enlèvement du trou.
13. Resserrez l'axe de la charnière inférieure à l'aide d'une clé à ouverture variable.
14. Enlevez les bouche-trous de cabinet et penture et placez les au côté opposé.
15. Descendez la porte du congélateur dans l'axe de la charnière centrale.
16. Fermez la porte du congélateur. Ayez un assistant qui soulève l'autre côté de la porte pendant que vous serrez les vis pour installer la penture du haut.
17. Replacer le grillage inférieur et le couvercle de la charnière supérieure.
18. Brancher le cordon électrique et tourner la commande de température du réfrigérateur à la position centrale. Régler la commande de température au besoin.



Dépose des portes et instructions pour l'inversion (suite)

REMARQUE : Certains modèles comportent des poignées encastrées dans les côtés de la porte. Pour ces modèles, seules les charnières doivent être inversées.

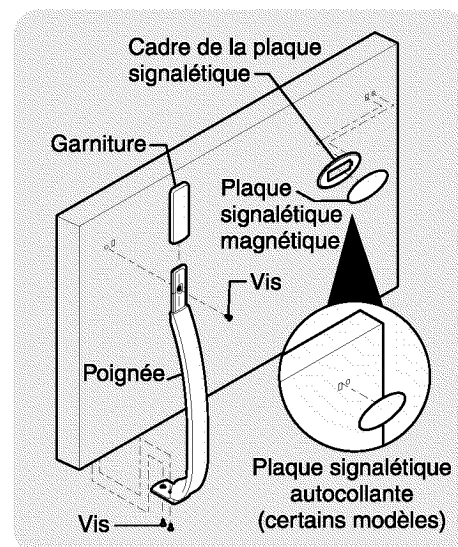
POUR ENLEVER LA POIGNÉE DE LA PORTE DU CONGÉLATEUR:

(Il est plus facile d'inverser les poignées lorsque les portes sont enlevées.)

1. Enlever les deux vis qui retiennent la poignée à la base de la porte du congélateur.
2. Enlever la petite garniture en la faisant glisser directement hors du support de la poignée.
3. Enlever la vis qui retient le dessus de la poignée à la porte.
4. **Modèles avec plaque signalétique magnétique :** Soulever délicatement le cadre de la plaque signalétique magnétique de la porte. Enlever la plaque signalétique de son cadre, retourner le cadre et l'installer dans les trous de la poignée. Insérer la plaque signalétique dans le cadre.
Modèles avec plaque signalétique autocollante: Détacher délicatement la plaque signalétique de la porte et l'appliquer sur les trous de la poignée.

POUR REPLACER LA POIGNÉE DE LA PORTE DU CONGÉLATEUR:

1. Installer la poignée sur le côté opposé en utilisant les trous de la plaque signalétique.
2. Fixer la poignée à la base de la porte.
3. Faire glisser la garniture directement dans le support de la poignée.



POUR ENLEVER LA POIGNÉE DE LA PORTE DU CONGÉLATEUR:

(Il est plus facile d'inverser les poignées lorsque les portes sont enlevées.)

1. Enlever les deux vis qui retiennent la poignée à la base de la porte du congélateur.
2. Faire pivoter la base de la poignée en l'éloignant de la porte et faire glisser la poignée vers le haut, directement hors du bouton en queues d'aronde.
3. Enlever la vis et le bouton en queues d'aronde et les installer du côté opposé, dans les trous de la plaque signalétique.
4. **Modèles avec plaque signalétique magnétique :** Soulever délicatement le cadre de la plaque signalétique magnétique de la porte à l'aide d'un couteau à mastic. Enlever la plaque signalétique de son cadre, retourner le cadre et l'installer dans les trous de la poignée. Insérer la plaque signalétique dans le cadre.
Modèles avec plaque signalétique autocollante : Détacher délicatement la plaque signalétique de la porte et l'appliquer sur les trous de la poignée à l'aide d'un couteau à mastic.

POUR REPLACER LA POIGNÉE DE LA PORTE DU CONGÉLATEUR:

1. Commencer lorsque la partie inférieure de la poignée est éloignée de la porte. Placer la partie supérieure de la poignée par-dessus le bouton en queues d'aronde, faire pivoter la poignée pour qu'elle soit en position verticale et appuyer en poussant vers le bas pour la verrouiller en place.
2. Fixer la base de la poignée avec les deux vis enlevées précédemment.

POUR ENLEVER LA POIGNÉE DE LA PORTE DU CONGÉLATEUR :

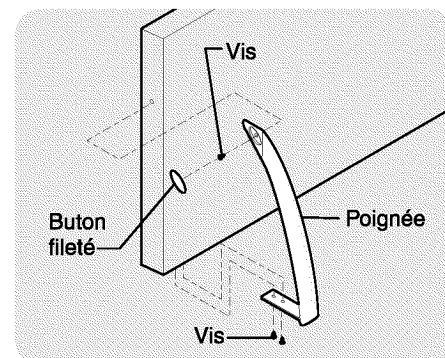
(Il est plus facile d'inverser les poignées lorsque les portes sont enlevées.)

1. Enlever les deux vis qui retiennent la poignée à la base de la porte du congélateur.
2. Enlever le capuchon d'obturation avec le côté d'un couteau à mastic.
3. Enlever la vis sur le côté de la porte du congélateur et retirer la poignée.

POUR FIXER LA POIGNÉE DE LA PORTE DU CONGÉLATEUR :

1. Fixer le côté de la poignée à la porte et remplacer le bouchon.
2. Fixer la poignée à la base de la porte.

REMARQUE : Pour inverser la poignée de la porte du congélateur, consulter la figure 3, à la page 53.





Dépose des portes et instructions pour l'inversion (suite)

DÉPOSE DE LA GARNITURE (MODÈLES AVEC GARNITURE PLEINE LONGUEUR UNIQUEMENT)

Sur certains modèles, la porte du réfrigérateur comporte une garniture pleine longueur entre la base de la poignée et la base de la porte. Le haut de la garniture est fixé dans le support de la poignée (figure 1) ou autour de la base de la poignée (figure 2). Un fixeur de garniture adhésif est placé à mi-hauteur. La base de la garniture est maintenue en place soit par un fixeur de garniture adhésif ou par un fixeur de garniture comportant à deux broches insérées dans un trou à la surface de la porte.

POUR ENLEVER LA GARNITURE :

1. Enlever délicatement la garniture de la porte en tirant aux endroits où se trouve les fixeurs.
2. Lorsque la garniture est enlevée de la porte, la faire glisser directement hors de la base de la poignée.

REMARQUE: Pour les modèles avec une petite garniture, l'enlever en la faisant glisser directement vers le bas, hors du support à poignée.

POUR ENLEVER LA POIGNÉE DE LA PORTE DU RÉFRIGÉRATEUR:

(Il est plus facile d'inverser les poignées lorsque les portes sont enlevées.)

Figure 1 Poignées stylées

1. Enlever les deux vis qui retiennent la poignée au haut de la porte du réfrigérateur.
2. Enlever la vis qui retient la base de la poignée à la porte.
3. Enlevez deux bouche-trous et le bouche-goupille de penture sur le dessus de la porte et installez de l'autre côté. Enlevez la vis-bouchon en plastique du devant de la porte avec un tournevis de type Phillips et installez la sur le côté opposé.

Figure 2 Poignées stylées

1. Enlever les deux vis qui retiennent la poignée au haut de la porte du réfrigérateur.
2. Faire pivoter le haut de la poignée en l'éloignant de la porte et faire glisser la poignée vers le bas, directement hors du bouton en queues d'aronde.
3. Enlever la vis et le bouton en queues d'aronde et les installer du côté opposé. Déplacer les capuchons pour trou dans les trous du côté opposé.

POUR FIXER LA POIGNÉE DE LA PORTE DU RÉFRIGÉRATEUR :

Figure 1 Poignées stylées

1. Fixer la base de la poignée avec les vis.
2. Fixer Le haut de la poignée avec les vis.

Figure 2 Style Handles

1. Commencer lorsque la partie inférieure de la poignée est éloignée de la porte. Placer la partie supérieure de la poignée par-dessus le bouton en queues d'aronde, faire pivoter la poignée pour qu'elle soit en position verticale et appuyer en poussant vers le haut pour la verrouiller en place.
2. Fixer Le haut de la poignée avec les vis.

POUR FIXER LA GARNITURE :

1. Faire glisser des deux fixeurs de garniture hors de la garniture.
2. Insérer les nouveaux fixeurs de garniture adhésifs inclus dans votre pochette à brochures.

REMARQUE: Le fixeur de garniture doit être enlevé et installé en le faisant glisser sur les deux endroits en forme d'anneau.

3. Fixer la garniture à la poignée en la faisant glisser sous la base de la poignée. Bien aligner la garniture et appuyer fermement à l'endroit où se trouvent les fixeurs.
4. Utiliser de l'alcool à friction pour enlever les résidus de colle du fixeur de garniture.

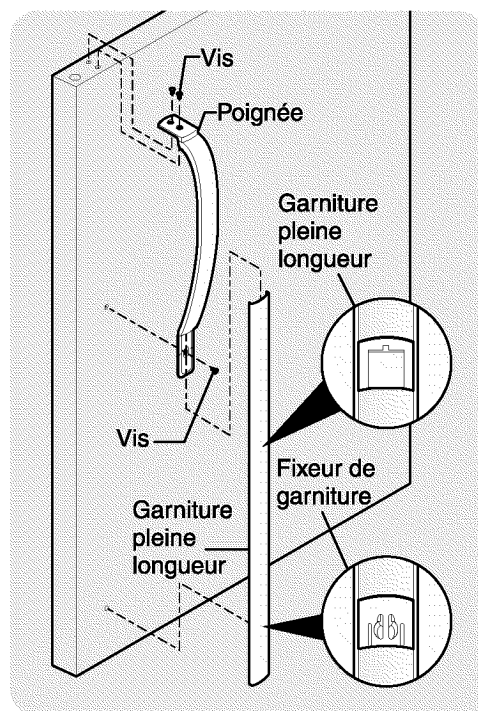


Figure 1

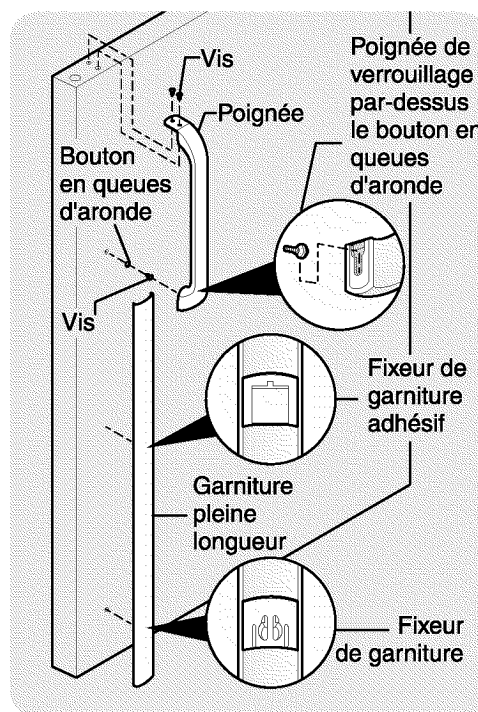


Figure 2



Dépose des portes et instructions pour l'inversion (suite)

POUR ENLEVER LA POIGNÉE DE LA PORTE DU RÉFRIGÉRATEUR:

(Il est plus facile d'inverser les poignées lorsque les portes sont enlevées.)

1. Enlever les deux vis qui retiennent la poignée au haut de la porte du réfrigérateur.
2. Enlever le capuchon d'obturation avec le côté d'un couteau à mastic.
3. Enlever la vis sur le côté de la porte du réfrigérateur et retirez la poignée.
4. Inverser les poignées du congélateur et du réfrigérateur tel qu'illustré à la figure 3.

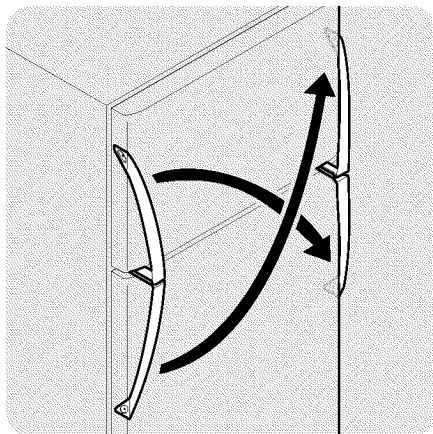
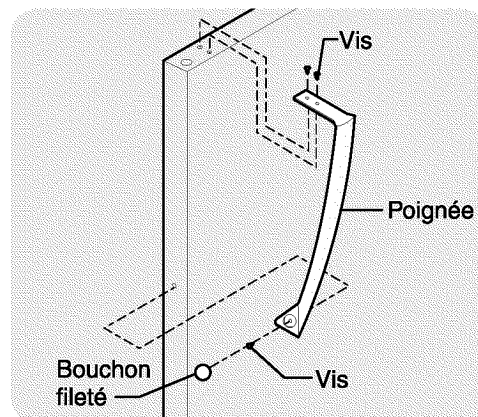


Figure 3 - Inversion de la poignée



Porte de réfrigérateur sans garniture

POUR FIXER LA POIGNÉE DE LA PORTE DU RÉFRIGÉRATEUR:

1. Fixer le côté de la poignée à la porte et replacer le bouchon.
2. Fixer la poignée au haut de la porte.

ENLEVER LES PORTES ET LES POIGNÉES EN ACIER INOXYDABLE

⚠ MISE EN GARDE Procéder avec soin lorsque vous utilisez des outils près des portes en acier inoxydable afin d'éviter de les rayer.

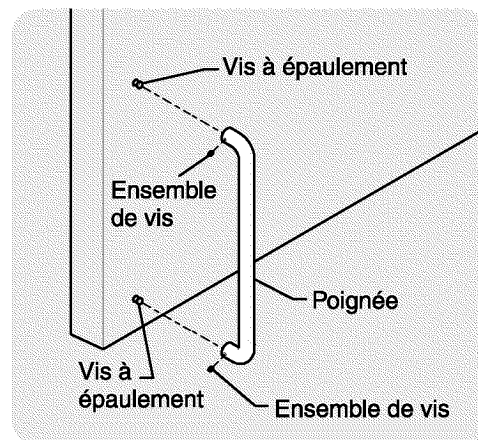
Pour enlever les portes

Les portes en acier inoxydable ne sont pas réversibles. Suivre les étapes ci-dessous pour enlever les portes.

1. Enlever le grillage inférieur et le couvercle de la charnière supérieure.
2. Enlever la charnière supérieure et soulever la porte du congélateur de l'axe de charnière centrale. Mettre la porte de côté.
3. Dévisser l'axe de charnière centrale à l'aide d'une clé à ouverture variable et mettre de côté pour le réassemblage. S'assurer que la rondelle en plastique reste sur l'axe de charnière.
4. Soulever la porte du réfrigérateur de la charnière inférieure et la mettre de côté.
5. Enlever la charnière centrale et la cale en enlevant la vis à l'intérieur et en desserrant suffisamment les deux vis à l'extérieur pour permettre à la charnière de glisser à l'extérieur.
6. Enlever la charnière inférieure. Insérer les deux vis à l'extérieur et resserrer.
7. Inverser les étapes 1 à 6 pour installer les portes.

Pour enlever les poignées

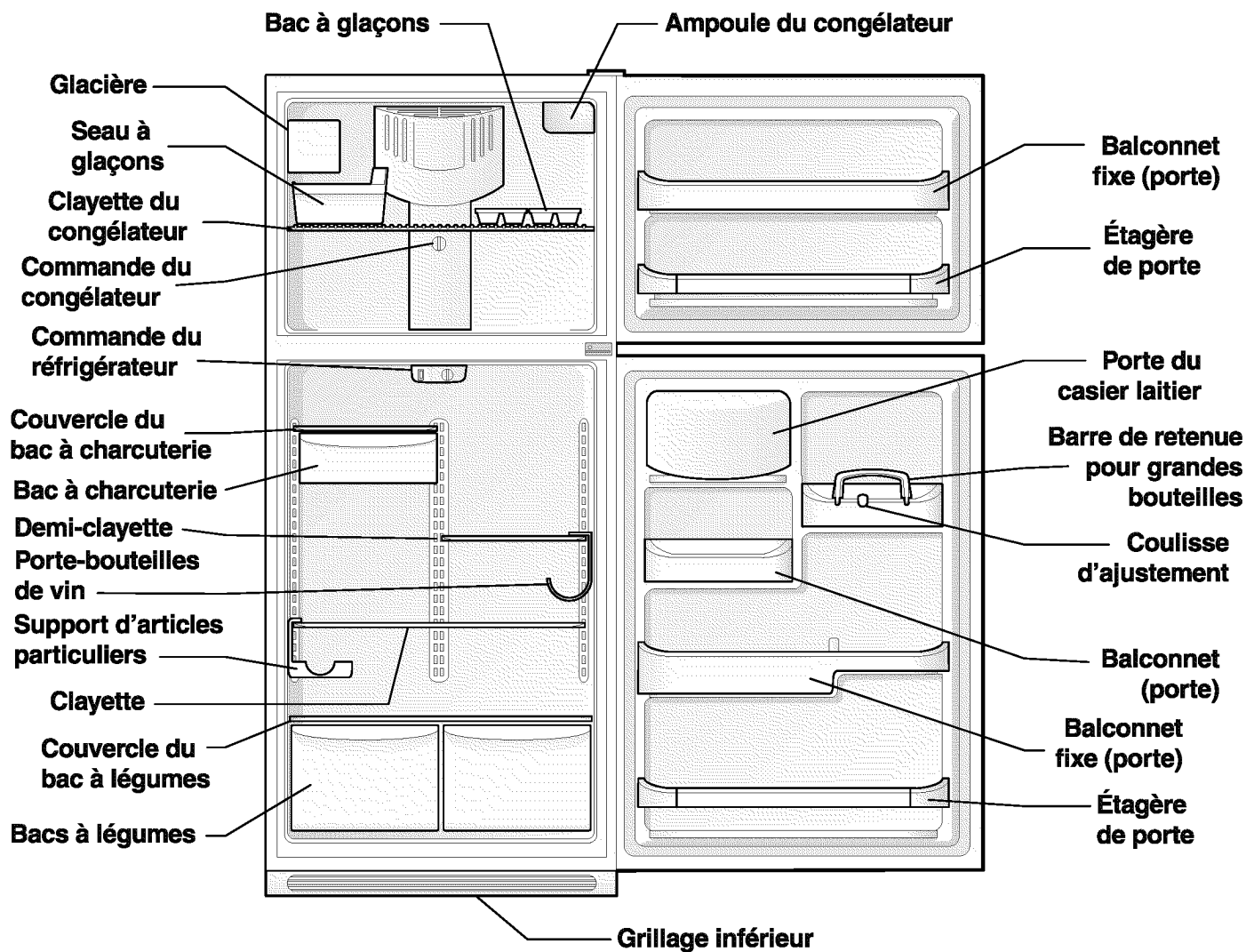
1. Tenir fermement la poignée de la porte du congélateur pendant que vous desserrez les vis avec une clé Allen de 2,4 mm (3/32 po). Enlever la poignée de la porte du congélateur.
2. Répéter l'étape 1 pour la porte du réfrigérateur.



Poignée typique



Aperçu des caractéristiques



Les caractéristiques peuvent varier selon le modèle



Commandes de température

PÉRIODE DE REFROIDISSEMENT

Pour assurer la conservation des aliments, faire fonctionner le réfrigérateur avec les portes fermées pendant au moins 8 à 12 heures avant de mettre de la nourriture dans le réfrigérateur.

COMMANDES DU RÉFRIGÉRATEUR ET DU CONGÉLATEUR

REMARQUE: Lorsque vous réglez les commandes pour la première fois ou que vous changez les réglages, attendez 24 heures pour que la température se stabilise avant d'apporter de nouveaux changements.

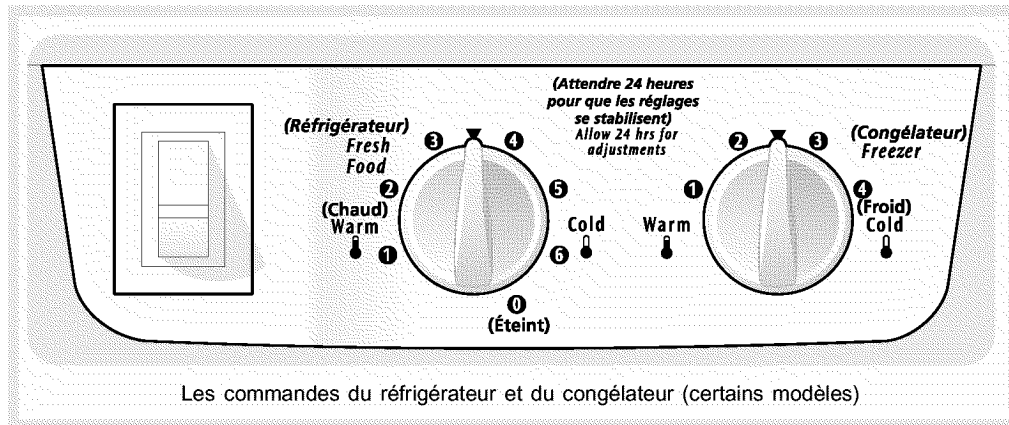
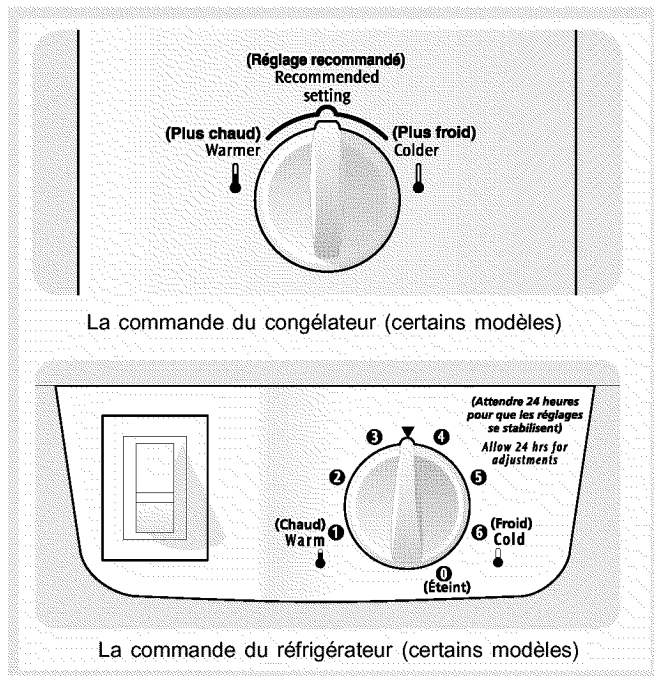
RÉGLAGE DE LA TEMPÉRATURE

REMARQUE: Il est recommandé qu'au démarrage initial du réfrigérateur les commandes des compartiments congélateur et réfrigérateur soient placés à la position ▼. Après 24 heures, régler les commandes au besoin.

- **Ajustez graduellement le bouton de commande de température en le déplaçant un petit peu à la fois pour permettre la stabilisation de la température.**
- Pour obtenir une température plus froide, tourner le cadran vers « **Cold** » (froid).
- Pour obtenir une température plus chaude, tourner le cadran vers « **Warm** » (chaud).

La commande du réfrigérateur contrôle la température des deux compartiments. Par exemple, si la commande du réfrigérateur est mise à un réglage plus froid, il est possible que la commande du congélateur doive être réglée à un réglage plus chaud. La commande du congélateur ne contrôle que la température du congélateur.

Le ventilateur fait circuler l'air dans les compartiments du réfrigérateur et du congélateur afin d'y maintenir la température. Ne pas obstruer les volets d'entrée de l'air froid avec des aliments afin de maintenir une bonne circulation.



IMPORTANT: Tourner la commande de température du réfrigérateur à « 0 » éteint le compresseur sans pour autant couper le courant qui alimente l'ampoule électrique et les autres composants électriques.

GUIDE DE RÉGLAGE DE LA TEMPÉRATURE

Si le compartiment du réfrigérateur est trop chaud	Tourner un peu la commande du réfrigérateur dans le sens de « Cold » (froid)
Si le compartiment du réfrigérateur est trop froid	Tourner un peu la commande du réfrigérateur dans le sens de « Warm » (chaud)
Si le compartiment du congélateur est trop chaud	Tourner un peu la commande du congélateur dans le sens de « Colder » (plus froid)
Si le compartiment du congélateur est trop froid	Tourner un peu la commande du congélateur dans le sens de « Warmer » (plus chaud)
Pour éteindre le réfrigérateur	Tourner la commande du réfrigérateur à « 0 »



Vue de l'intérieur

MISE EN GARDE Pour éviter les risques de blessures ou les dommages matériels, manipuler avec précaution les clayettes en verre trempé. Les clayettes peuvent se briser soudainement si elles sont ébréchées, égratignées ou exposées à de brusques changements de température.

RÉGLAGE DES CLAYETTES

Les clayettes du réfrigérateur peuvent être facilement ajustées selon les besoins. Avant d'ajuster les clayettes, enlever toute nourriture.

Pour régler les clayettes coulissantes :

- 1 Enlever la clayette en tirant vers l'avant jusqu'au point d'arrêt.
- 2 Soulever l'avant et tirer vers l'extérieur.

Replacer la clayette sur n'importe quelle paire de rails, en inversant cette procédure.

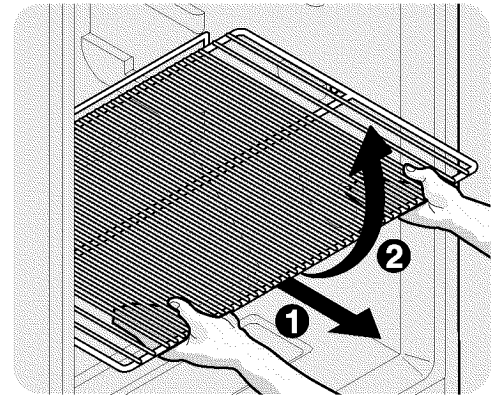
Pour régler les clayettes en porte-à-faux :

REMARQUE: Les clayettes en porte-à-faux sont supportées à l'arrière du réfrigérateur. Les clayettes en porte-à-faux sont offertes en verre ou en métal

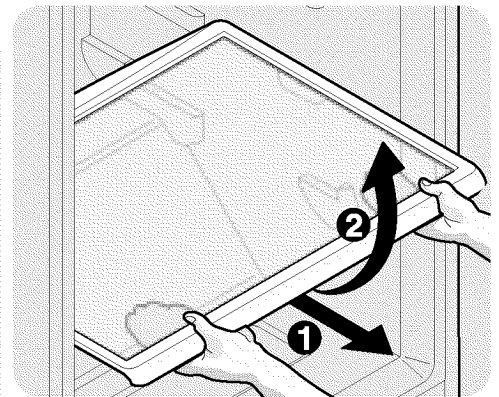
- 1 Soulever le rebord avant.
- 2 Tirer sur la clayette pour l'extraire

Replacer la clayette en insérant les crochets dans la crémaillère, au fond du réfrigérateur. Abaisser la clayette dans les fentes et verrouiller en position.

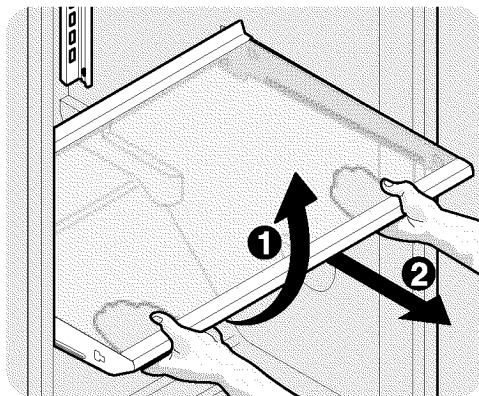
Les clayettes en verre *SpillSafe™* (certains modèles) retiennent les déversements accidentels. Sur certains modèles, les clayettes en verre *SpillSafe™* sont coulissantes pour faciliter le nettoyage et l'accès à la nourriture. Les clayettes coulissent indépendamment des crémaillères. Tirer tout simplement sur la clayette pour l'avancer. La clayette peut être allongée aussi loin que la butée le permet, mais elle ne peut **pas** être enlevée de la crémaillère.



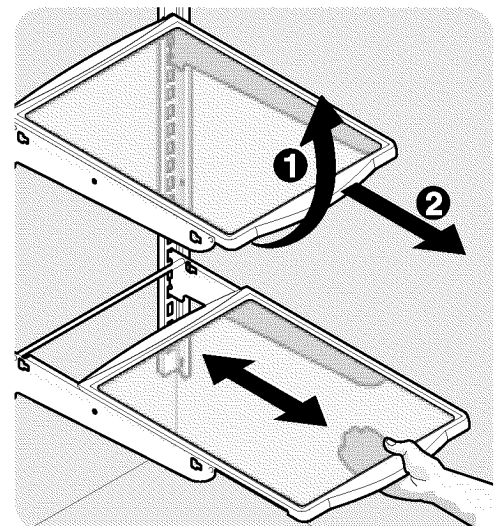
Clayette coulissante en métal



Clayette coulissante en verre



Clayettes en porte-à-faux en verre pleine grandeur



Clayettes en porte-à-faux en verre - Fixe et coulissante



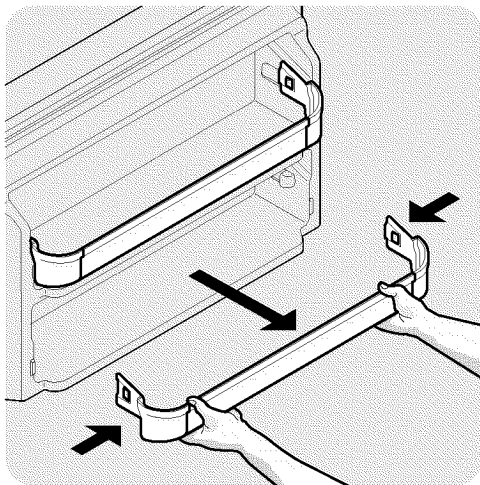
Vue de l'intérieur (suite)

PORTE ÉTAGÈRE

Les balconnets, les clayettes et les porte-bouteilles servent à ranger les pots, les bouteilles et boîtes. Les items les plus utilisés peuvent être sélectionnés rapidement.

Certains modèles ont des balconnets et des bacs de porte qui peuvent accommoder les bouteilles d'eau gazeuses de grand format et les bocaux de format économique. Certains balconnets se règlent pour offrir une plus grande capacité de rangement.

Le casier laitier, qui est moins froid que le reste du réfrigérateur, est conçu pour y ranger le fromage, les tartinades et le beurre pour de courtes périodes de temps.



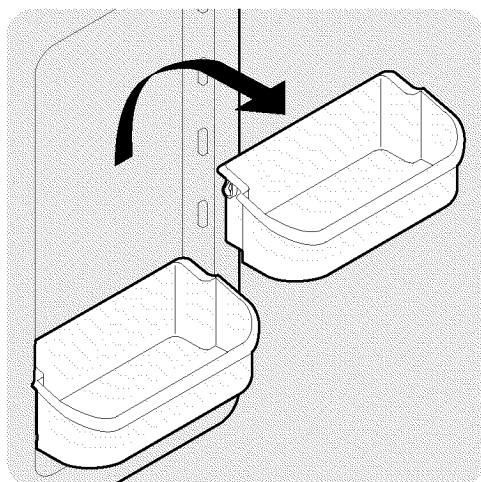
Étagère de porte

BALCONNETS AMOVIBLES

Certains modèles comportent des balconnets amovibles qui peuvent être déplacés selon les besoins.

Pour déplacer les balconnets

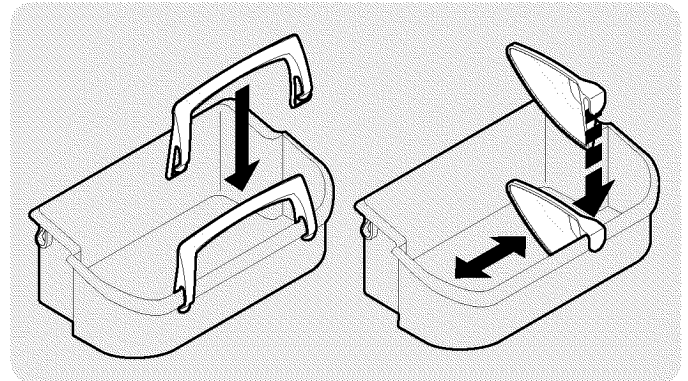
1. Soulever le balconnet.
2. Enlever le balconnet.
3. Replacer le balconnet à l'endroit désiré.
4. Enfoncer le bac dans les supports jusqu'à ce qu'il se verrouille en place.



Balconnet amovible

BARRE DE RETENUE POUR GRANDES BOUTEILLES (CERTAINS MODÈLES)

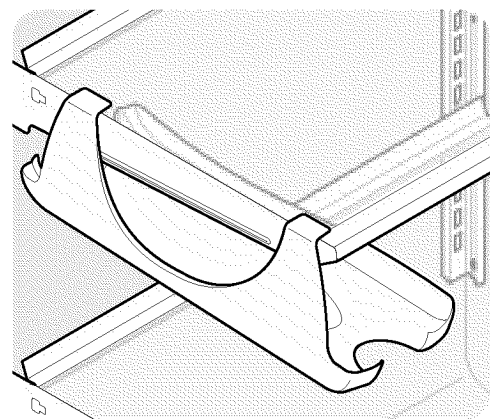
La barre de retenue pour grandes bouteilles permet de maintenir les bouteilles de grand format pendant l'ouverture et la fermeture de la porte. Pour installer la barre de retenue, la tenir par le haut et la faire glisser par-dessus la paroi du bac, tel qu'illustré dans le schéma. La barre de retenue fonctionne mieux avec la coulisse d'ajustement pour balconnet.



Barre de retenue pour grandes bouteilles (gauche) et coulisse d'ajustement pour balconnet (droit)

SUPPORT D'ARTICLES PARTICULIERS (CERTAINS MODÈLES)

La conception innovatrice du support d'articles particuliers permet de déposer un paquet de 6 canettes de breuvage de 355 ml (12 oz.), une bouteille de vin, une bouteille de 2 litres de boisson gazeuse, ou une douzaine d'œufs. Le support d'articles particuliers s'installe sur le côté gauche de votre réfrigérateur. Pour l'installer, glissez simplement le support d'articles particuliers sur n'importe quelle tablette comme montré sur le dessin.



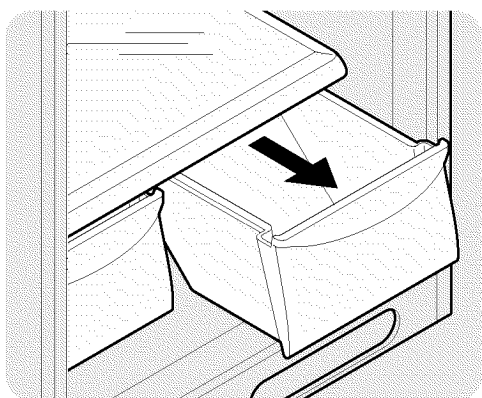
Support d'articles particuliers



Vue de l'intérieur (suite)

BAC À LÉGUMES (CERTAINS MODÈLES)

Les bacs à légumes, situés sous la clayette inférieure du réfrigérateur, sont conçus pour y placer les fruits, les légumes et les autres produits frais. Laver ces produits à l'eau fraîche et bien les faire égoutter avant de les placer dans les bacs à légumes. Les aliments qui ont une odeur forte ou un haut taux d'humidité doivent être emballés avant d'être rangés dans le réfrigérateur.

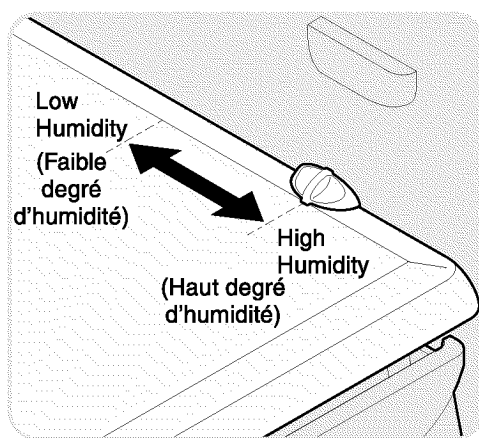


Bac à légumes

COMMANDE DE L'HUMIDITÉ (CERTAINS MODÈLES)

Certains modèles de bacs à légumes comportent une commande de l'humidité qui vous permet de contrôler le taux d'humidité à l'intérieur du bac. Cette commande permet de prolonger la vie des légumes frais qui se conservent mieux à un haut degré d'humidité.

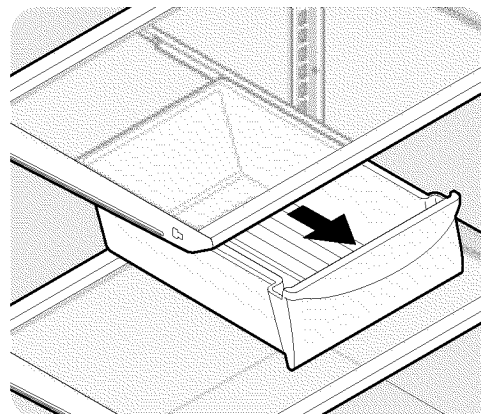
REMARQUE: Les légumes-feuille se conservent mieux lorsque la commande de l'humidité est réglée à «**High Humidity**» (humidité élevée) ou dans un bac à légumes sans commande de l'humidité.



Commande de l'humidité du bac à légumes

BAC À CHARCUTERIE (CERTAINS MODÈLES)

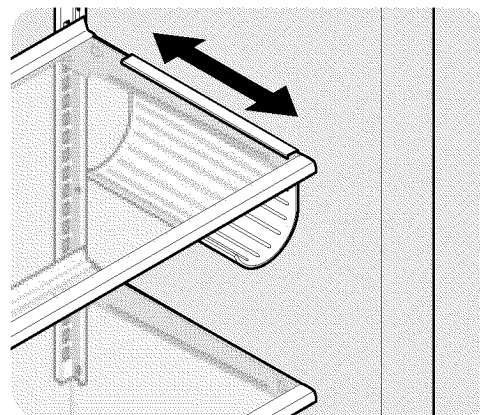
Certains modèles comportent un bac à charcuterie pour ranger les viandes froides, les tartinades, les fromages et les autres produits fins.



Bac à charcuterie

PORTE-BOUTEILLES DE VIN (CERTAINS MODÈLES)

Les porte-bouteilles de vin permettent de ranger les bouteilles de vin, les bouteilles de jus ou de soda de deux litres. Pour installer le porte-bouteilles, le faire glisser sur la clayette en plaçant la partie incurvée vers l'intérieur. Pour l'enlever, le faire glisser vers l'extérieur. L'installer sur un des deux côtés de la clayette.



Porte-bouteilles de vin



Fabrication de glace

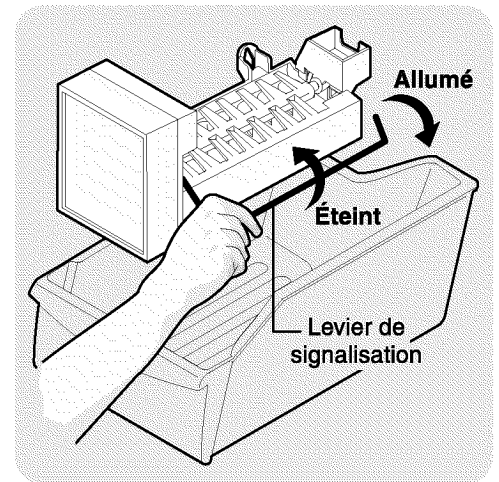
Si votre réfrigérateur comporte une glacière automatique, elle produira suffisamment de glaçons pour un usage normal. Cependant, pendant les 24 premières heures de la période de démarrage initial de votre réfrigérateur, la glacière ne produira pas de glaçons. Les glacières automatiques sont des accessoires en option qui peuvent être installés en tout temps sur la plupart des modèles. Contactez votre distributeur local pour plus d'informations.

METTRE EN MARCHÉ VOTRE GLACIÈRE

Lorsque les conduits d'alimentation en eau sont installés, la soupape d'admission doit être ouverte. Placer le bac à glaçons sous la glacière, en le poussant aussi loin que possible. Rabaisser le levier de signalisation à sa position « ON » (allumé). L'utilisation de nouveaux conduits d'alimentation en eau peut amener la production de glaçons décolorés ou ayant un goût désagréable. Jeter ces premiers glaçons jusqu'à ce qu'ils ne présentent plus de décoloration ou de goût désagréable.

ARRÊTER VOTRE GLACIÈRE

Pour éteindre la glacière, soulever le levier de signalisation à sa position « OFF » (éteint). De plus, la glacière s'éteint automatiquement lorsque le bac à glaçons est plein. Si votre modèle comporte une clayette de congélateur réglable, la placer à sa position la plus basse afin que le levier de signalisation touche à la glace lorsque le bac est plein.



Glacière

⚠ MISE EN GARDE Les produits chimiques provenant d'un système d'adoucisseur d'eau défectueux peuvent endommager la glacière. Si la glacière est connectée à un tel système, s'assurer qu'il est bien entretenu et qu'il fonctionne correctement.

CONSEILS SUR LA FABRICATION DE GLAÇONS

- Les glaçons peuvent prendre un goût désagréable avec le temps. Vider le bac à glaçons et s'assurer que le levier de signalisation est à sa position « ON » (allumé). La glacière produira alors d'autres glaçons.
- De temps à autre, secouer le bac à glaçons pour maintenir les cubes de glace séparés.
- Maintenir le levier de signalisation à sa position élevée ou « OFF » (éteint) lorsque le réfrigérateur n'est pas relié au conduit d'alimentation en eau ou lorsque l'alimentation en eau est fermée.
- Lorsque la glacière fonctionne, les bruits suivants sont normaux :
 - Moteur qui fonctionne
 - Les glaçons qui se détachent du bac
 - Les glaçons qui tombent dans le bac
 - L'eau qui circule
 - La soupape d'admission qui s'ouvre et se ferme

REMARQUE: Pour plus d'informations à propos de ces fonctions, consulter la section « Bruits de fonctionnement normaux et aspects », à la page 61.

⚠ MISE EN GARDE Ne pas laver le bac à glaçons au lave-vaisselle.

- Laver le bac à glaçons avec de l'eau chaude et un détergent doux. Bien rincer et assécher.
- Arrêter la glacière lorsque vous nettoyez le congélateur et lorsque vous êtes absent pendant plusieurs jours.
- Si la glacière est arrêtée pour une longue période de temps, fermer la soupape d'admission de l'eau.



Conseils pour la conservation des aliments et l'économie d'énergie

CONSEILS SUR LA CONSERVATION DES ALIMENTS

Conservation des aliments frais

- Le compartiment pour la nourriture fraîche doit être maintenu entre 1,1 °C et 4,4 °C (34 °F et 40 °F), la température idéale étant 2,7 °C (37 °F).
- Éviter de surcharger les clayettes du réfrigérateur. Cela réduit la circulation d'air autour des aliments et amène un refroidissement inégal.

Fruits et légumes

- Les bacs à légumes emprisonnent l'humidité afin d'aider à conserver la qualité des fruits et des légumes pendant plus longtemps.

Viande

- La viande et la volaille non cuites doivent être bien emballées afin d'éviter la contamination des autres aliments et des surfaces.

Conservation des aliments congelés

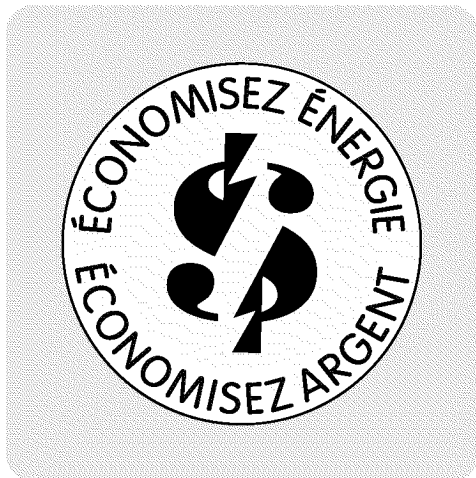
- Le compartiment du congélateur doit être maintenu à une température de -17,7 °C (0 °F) ou moins.
- Les congélateurs fonctionnent plus efficacement lorsqu'ils sont remplis aux trois quarts.

Emballage pour la congélation

- Pour réduire la déshydratation et la détérioration de la nourriture, utiliser une feuille d'aluminium, une pellicule pour congélation, un sac pour congélation ou un contenant hermétique. Extraire autant d'air que possible et refermer hermétiquement. L'air peut assécher, décolorer ou altérer le goût de la nourriture (par brûlure au froid).
- Suremballer la viande et la volaille fraîche avec un emballage pour congélation approprié avant de congeler.
- Ne jamais congeler de nouveau de la viande décongelée.

Remplir le congélateur

- Éviter de placer trop de nourriture chaude dans le congélateur en même temps. Cela surcharge le congélateur, ralentit le taux de congélation et risque de faire augmenter la température des aliments congelés.
- Laisser de l'espace entre les emballages afin que l'air froid puisse circuler librement et que les aliments refroidissent aussi rapidement que possible.
- Éviter de ranger des aliments difficiles à congeler comme de la crème glacée et du jus d'orange dans la porte du congélateur. Il est préférable de ranger ces aliments à l'intérieur du congélateur où la température subit moins de variations.



CONSEILS EN MATIÈRE D'ÉCONOMIE D'ÉNERGIE

- Placer le réfrigérateur à l'endroit le plus frais de la pièce, loin de la lumière directe du soleil et des tubulures ou des registres de chauffage. Ne pas placer le réfrigérateur près des appareils producteurs de chaleur comme une plaque chauffante, une cuisinière ou un lave-vaisselle. Si cela n'est pas possible, installez une section d'armoire ou ajoutez une couche additionnelle d'isolant entre les deux appareils afin de permettre au réfrigérateur de fonctionner plus efficacement.
- Mettre le réfrigérateur à niveau afin que les portes se referment bien.
- Consulter ce manuel d'utilisation et d'entretien pour des suggestions de réglages de la commande de température.
- Nettoyer régulièrement le condenseur ce qui permet de maintenir l'efficacité du réfrigérateur. Consulter la fiche d'entretien et de nettoyage, à la page 62.
- Ne pas surcharger le réfrigérateur ni obstruer les volets d'entrée de l'air froid. Le réfrigérateur devra alors fonctionner plus longtemps et consommera plus d'énergie.
- Recouvrir les aliments et essuyer les contenants avant de les ranger au réfrigérateur. Ceci diminue l'accumulation d'humidité à l'intérieur de l'appareil.
- Organiser le réfrigérateur de manière à réduire la fréquence de l'ouverture de la porte. Retirer tous les items dont vous avez besoin en une seule fois et refermer immédiatement la porte.

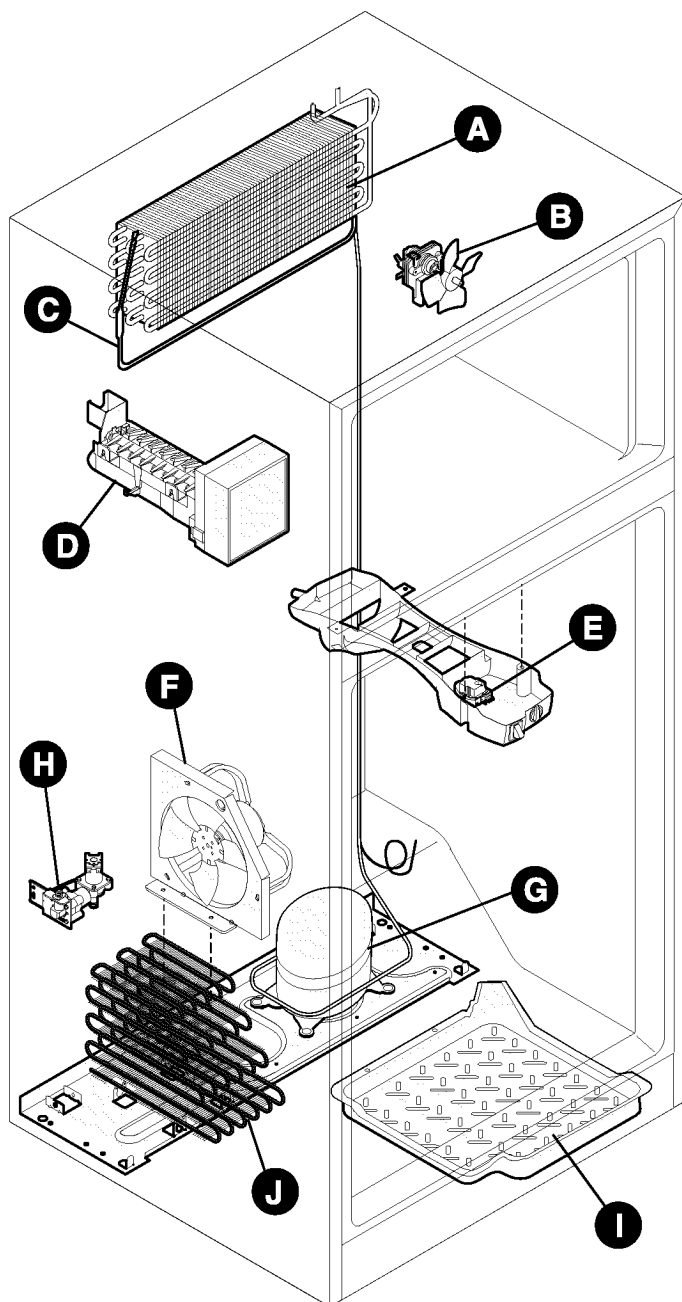


Bruits de fonctionnement normaux et aspects

IDENTIFIER LES SONS QUE VOUS ENTENDEZ

Votre nouveau réfrigérateur à rendement élevé peut émettre des sons avec lesquels vous n'êtes pas familier. Ne vous inquiétez pas, ces bruits sont normaux. Les surfaces dures, comme les planchers en vinyle ou en bois, les murs et les comptoirs de cuisine peuvent amplifier les sons. Vous trouverez ci-dessous la liste des bruits les plus communs que vous risquez d'entendre ainsi que leur cause.

REMARQUES: Les panneaux d'isolant-mousse permettent une bonne économie d'énergie, mais n'offrent pas d'isolation acoustique.



A. Évaporateur

Le liquide de refroidissement qui passe dans le circuit d'évaporation peut produire un bruit de gargouillis ou de bouillonnement.

B. Ventilateur de l'évaporateur

Il est possible que vous entendiez le bruit de l'air renvoyé dans le réfrigérateur par le ventilateur de l'évaporateur.

C. Chauffe-rette de décongélation

Pendant les cycles de décongélation, les gouttes d'eau qui tombent sur la chauffe-rette de décongélation peuvent produire un bruit de sifflement ou de grésillement. Après la décongélation, un bruit de craquement peut se produire.

IMPORTANT: Pendant le cycle de décongélation automatique, vous pourrez remarquer une lueur rouge dans les volets sur la paroi au fond du compartiment de votre congélateur. Ceci est normal pendant le cycle de décongélation.

D. Glacière automatique

Si votre réfrigérateur est équipé d'une glacière automatique, vous entendrez les cubes de glace tomber dans le bac à glaçons.

E. Thermostat et minuteur de décongélation

Ces composants peuvent produire des bruits de claquement ou des cliquetis lorsqu'ils allument ou éteignent le réfrigérateur. Le minuteur peut également émettre un tic-tac semblable à celui d'une horloge électrique.

F. Ventilateur du condenseur

Si les serpentins du condenseur se trouvent sous le réfrigérateur, comme sur l'illustration de gauche, c'est qu'il est équipé d'un ventilateur de condenseur. Il est possible que vous entendiez le bruit de l'air renvoyé dans le réfrigérateur par le ventilateur du condenseur.

G. Compresseur

Les compresseurs à haut rendement fonctionnent beaucoup plus rapidement que ceux des anciens modèles. Le compresseur peut produire un ronronnement aigu ou un bruit de pulsation.

H. Soupape

Si votre réfrigérateur est équipé d'une glacière automatique, vous entendrez un bruit de vibration lorsque la soupape s'ouvre pour remplir la glacière à chaque cycle.

I. Plateau de récupération (non amovible)

Il est possible que vous entendiez le bruit de l'eau qui coule dans le plateau de récupération pendant le cycle de décongélation. Le plateau de récupération sert pour les condenseurs refroidis par air et se trouve sur le dessus du compresseur (serpentins noirs à l'arrière du réfrigérateur).

J. Serpentins du condensateur (modèles à ventilation forcée seulement)



Entretien et nettoyage

Toujours maintenir le réfrigérateur et le congélateur propres afin d'éviter l'apparition de mauvaises odeurs. Nettoyer immédiatement les déversements et laver les deux sections au moins deux fois par an. **Ne jamais** utiliser de tampon à récurer métallique, de brosses, de pâte abrasive ou de solution alcaline forte pour nettoyer les surfaces. **Ne jamais** laver les parties amovibles dans le lave-vaisselle. **Toujours débrancher le cordon d'alimentation électrique de la prise de courant murale avant de commencer le nettoyage.**

MISE EN GARDE

- Lorsque vous déplacez le réfrigérateur, toujours le maintenir à la verticale. Ne pas faire balancer le réfrigérateur d'un côté à l'autre, ce qui pourrait endommager le revêtement du plancher. Si le réfrigérateur est équipé d'une glacière, prendre soin de ne pas le déplacer au-delà de la longueur des conduits d'alimentation en eau.
- Les objets humides adhèrent aux surfaces froides en métal. Ne pas toucher aux surfaces gelées avec les mains mouillées ou humides.
- Nettoyer le condensateur régulièrement pour le maintenir en bon état et permettre au réfrigérateur de fonctionner le plus efficacement possible.

REMARQUES:

- Tourner la commande de température du réfrigérateur à « 0 » éteint le compresseur sans pour autant couper le courant qui alimente l'ampoule électrique et les autres composants électriques.
- Ne pas utiliser de lames de rasoir ou d'autres instruments tranchants qui pourraient abîmer la surface de l'appareil pour enlever les étiquettes adhésives. Les résidus de colle des étiquettes et des rubans peuvent être enlevés avec un mélange d'eau chaude et de détergent doux ou en utilisant la surface collante de l'étiquette ou du ruban qui vient d'être enlevé. Ne pas enlever la plaque signalétique.

Fiche d'entretien et de nettoyage

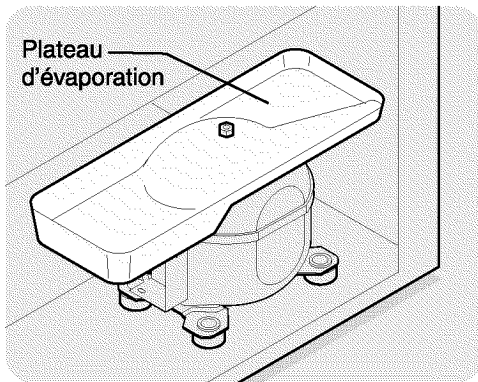
Pièce	Ce que vous devez utiliser	Conseils et précautions
Revêtement intérieur / de la porte	<ul style="list-style-type: none"> • Eau et savon • Eau et bicarbonate de soude 	Utiliser 2 cuillères de kable de bicarbonate de soude dans ¼ litre (1 pinte) d'eau chade. Bien essor l'éponge ou le chiffon avant de nettoyage autout des commandes, de l'ampoule électrique et de toutesles autres composantes électriques.
Jointe de porte	<ul style="list-style-type: none"> • Eau et savon 	Essuyer les joints avec un chiffon doux et propre.
Bacs / Balconnets	<ul style="list-style-type: none"> • Eau et savon 	Ne jamais laver les parties amovibles (balconnets, bacs, etc.) dans le lave-vaisselle.
Clayettes en verre	<ul style="list-style-type: none"> • Eau et savon • Nettoyage pour verre • Pulvériser liquide doux 	Laisser le verre se réchauffer à la température de la pièce avant de l'immerger dans de l'eau chaude.
Grillage inférieur	<ul style="list-style-type: none"> • Eau et savon • Pulvériser liquide doux • Embout d'aspirateur 	Aspirer la poussière de l'avant du grillage inférieur. Enlever le grillage inférieur (Voir l'illustration à la page 48). Passer l'aspirateur sur l'arrière et essuyer avec un chiffon ou une éponge. Rincer et assécher.
Surfaces extérieures et poignées	<ul style="list-style-type: none"> • Eau et savon 	Ne pas utiliser de produits d'entretien ménager, d'ammoniaque ou d'alcool pour nettoyer les poignées.
Surfaces extérieures et poignées (Modèles en acier inoxydable uniquement)	<ul style="list-style-type: none"> • Eau et savon • Ammoniaque • Nettoyants pour acier inoxydable 	Nettoyer les poignées et la façade en acier inoxydable avec de l'eau savonneuse non abrasive et un linge à vaisselle. Rincer à l'eau propre, avec un linge souple. Essuyer les taches rebelles à l'aide d'un essuie-tout trempé dans l'ammoniaque, et rincer. Se servir d'un produit de nettoyage non abrasif pour l'acier inoxydable. Ces produits de nettoyage s'achètent dans la plupart des magasins à rayons ou centres de rénovation. Suivre toujours les instructions du fabricant. REMARQUE : Toujours nettoyer, essuyer et sécher dans le sens du grain pour éviter les égratignures transversales au grain. Laver le reste des surfaces de la caisse avec de l'eau tiède et un détergent liquide doux. Bien rincer et essuyer avec un linge souple et propre.
Serpentins du condensateur (modèles à ventilation forcée seulement)	<ul style="list-style-type: none"> • Une brosse de nettoyage du condensateur est disponible chez votre dépositaire • Aspirateur électrique 	Il n'est pas nécessaire de nettoyer à moins que le réfrigérateur fonctionne dans un endroit particulièrement poussiéreux ou gras ou s'il y a plusieurs animaux domestiques à votre domicile. Si le nettoyage s'avère nécessaire, enlevez la plaque de protection et enlevez la poussière accumulée sur les serpentins du condensateur avec l'accessoire de rallonge d'un aspirateur électrique et la brosse de nettoyage du condensateur (Pour déterminer la localisation, voir "J" à la page 61).
Serpentins du condensateur (modèles à ventilation naturelle seulement)	<ul style="list-style-type: none"> • Aspirateur électrique 	Utiliser la brosse à épousseter de votre aspirateur pour enlever la poussière accumulée sur les serpentins du condenseur (tubes et fils noirs) fixés à l'arrière des réfrigérateurs refroidis par air.
Plateau d'évaporation	<ul style="list-style-type: none"> • Eau et savon 	Certains modèles comportent un plateau d'évaporation placé au-dessus du compresseur au bas du réfrigérateur (voir l'illustration à la page suivante). Essuyer le plateau d'évaporation avec un chiffon humide.



Entretien et nettoyage (suite)

NE NETTOYEZ JAMAIS LE CONDENSATEUR (CERTAINS MODÈLES)

En condition normale Il n'est pas nécessaire de nettoyer votre réfrigérateur s'il est muni d'un condensateur "Never Clean". Pour obtenir un rendement maximum, il peut être nécessaire de nettoyer le condensateur de temps à autre si le réfrigérateur fonctionne dans un endroit particulièrement poussiéreux ou gras ou si il y a plusieurs animaux domestiques à votre domicile.

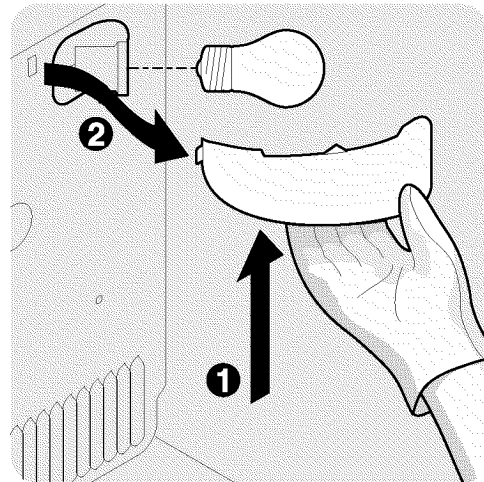


Plateau d'évaporation (certains modèles)

⚠ MISE EN GARDE Afin d'éviter les coupures, porter des gants pour remplacer les ampoules électriques.

CHANGER L'AMPOULE ÉLECTRIQUE DU CONGÉLATEUR (CERTAINS MODÈLES)

1. Débrancher le réfrigérateur.
2. Porter des gants pour vous protéger au cas où il y aurait du verre brisé.
3. Déloger le pare-lumière tel qu'illustré.
4. Dévisser et remplacer l'ampoule grillée par une ampoule pour appareil électroménager du même wattage.
5. Replacer le pare-lumière.
6. Ne pas oublier de rebrancher le réfrigérateur.



Conseils pour les vacances et les déménagements

Absences de courte durée	<ul style="list-style-type: none"> • Laisser le réfrigérateur fonctionner pendant les absences de 3 semaines ou moins. • Consommer tous les aliments périssables rangés dans la section du réfrigérateur. • Éteindre la glacière automatique, même si vous ne vous absentez que pour quelques jours.
Absences de longue durée	<ul style="list-style-type: none"> • Enlever tous les aliments et la glace si vous vous absentez pour un mois ou plus. • Tourner la commande du réfrigérateur à OFF et débrancher le cordon d'alimentation. • Éteindre la glacière automatique et fermer la soupape d'admission d'eau. • Nettoyer entièrement l'intérieur de l'appareil. • Laisser les deux portes ouvertes afin d'éviter l'apparition d'odeur et de moisissure.. Bloquer les portes en position ouverte se nécessaire.
Déménagement	<ul style="list-style-type: none"> • Enlever toute la nourriture et la glace. • Si vous utilisez un chariot, charger le réfrigérateur de côté. • Régler les pieds de nivellement à leur position la plus rétractée a fin de les protéger lors des déplacements. • Recouvrir le boîtier pour en protéger la surface.



Informations sur la garantie

GARANTIE DU RÉFRIGÉRATEUR

Votre réfrigérateur est protégé par cette garantie

	PÉRIODE DE GARANTIE	PAR L'ENTREMISE DE NOS PRÉPOSÉS À L'ENTRETIEN AUTORISÉS :	RESPONSABILITÉ DU CLIENT :
GARANTIE COMPLÈTE DE UN AN	Un an à partir de la date d'achat.	Tous les frais de réparation ou de remplacement de toute pièce de cet appareil présentant des défauts de matériaux ou de fabrication. Excluant les éléments filtrants d'origine et de remplacement pour eau et glaçons (le cas échéant). Les éléments filtrants d'origine et de remplacement sont garantis pour 30 jours (pièces uniquement).	Le coût des visites d'un réparateur pour les items classés sous la liste RESPONSABILITÉS NORMALES DU CLIENT.*
GARANTIE LIMITÉE DE 2 À 5 ANS (Revêtement du boîtier et système scellé)	Entre deux et cinq ans à partir de la date d'achat.	Réparera ou remplacera toute pièce du revêtement du boîtier et du système scellé (compresseur, condenseur, évaporateur, séchoir et tuyauterie) qui présente des défauts de matériaux ou de fabrication.	Les coûts de transport de l'appareil requis pour effectuer les réparations. Le coût de la main-d'œuvre, des pièces et les frais de transport pour les autres composants que ceux du revêtement du boîtier ou du système de réfrigération scellé.
GARANTIE LIMITÉE (Applicable à l'état de l'Alaska uniquement)	Les périodes de temps indiquées ci-dessus.	Toutes les dispositions de la garantie complète indiquées ci-dessus et les exclusions indiquées ci-dessous s'appliquent.	Les coûts de déplacement du réparateur et de transport de l'appareil requis pour effectuer les réparations.

Aux États-Unis, votre appareil est garanti par Electrolux Home Products d'Amérique du Nord, une filiale de White Consolidated Industries Inc. Nous n'autorisant aucune personne à modifier ou à ajouter quelle qu'obligation que ce soit à cette garantie. Nos obligations concernant les réparations ou les pièces couvertes par cette garantie doivent être effectuées par Electrolux Home Products d'Amérique du Nord ou par un préposé à l'entretien autorisé de Electrolux Home Products d'Amérique du Nord. Au Canada, votre appareil est garanti par les WCI Canada Inc.

*RESPONSABILITÉS NORMALES DU CLIENT

Cette garantie s'applique uniquement aux produits utilisés à des fins domestiques et le client est responsable pour les items inclus dans la liste ci-dessous :

1. Une utilisation appropriée de l'appareil conformément aux instructions fournies avec le produit.
2. Une installation appropriée par un préposé à l'entretien autorisé conformément aux instructions fournies avec l'appareil et à tous les codes locaux de plomberie, d'électricité et/ou de gaz.
3. Un branchement approprié à une prise de courant avec mise à la terre et à une tension suffisante, ainsi que le remplacement des fusibles grillés, la réparation des branchements défaits ou défectueux.
4. Les coûts pour rendre l'appareil accessible pour les réparations, comme la dépose de garnitures, d'armoires, d'étagères, etc., qui ne faisaient pas partie de l'appareil à sa sortie de l'usine.
5. Les dommages au fini après l'installation.
6. Le remplacement des ampoules électriques et/ou des tubes fluorescents (sur les modèles qui présentent ces caractéristiques).

EXCLUSIONS

Cette garantie ne couvre pas :

1. LES DOMMAGES INDIRECTS OU CONSÉCUTIFS, COMME LES DOMMAGES À LA PROPRIÉTÉ OU LES FRAIS CONSÉCUTIFS RÉSULTANT D'UN MANQUEMENT DE QUELLE QUE NATURE QUE CE SOIT DE CETTE GARANTIE ÉCRITE OU DE TOUTE AUTRE GARANTIE IMPLICITE
REMARQUE : Certains états ou provinces ne permettent pas l'exclusion ou la limitation des dommages indirects ou consécutifs, il est donc possible que cette limitation ne s'applique pas à votre cas.
2. Les appels de service non reliés à un mauvais fonctionnement ou à une défaillance de matériaux ou de fabrication ou pour les appareils qui ne servent pas à des fins domestiques. Le client devra assumer les frais de ces appels de service.
3. Les dommages causés par un entretien effectué par un préposé non autorisé par Electrolux Home Products d'Amérique du Nord; l'utilisation de pièces autres que les pièces authentiques de Electrolux Home Products ou obtenues par une personne autre qu'un préposé autorisé ou encore des causes extérieures comme une utilisation abusive, un mauvais usage, une alimentation électrique inadéquate ou une catastrophe naturelle.
4. Les produits dont les numéros de série d'origine ont été enlevés ou effacés et qui ne peuvent être lus.

SI VOUS AVEZ BESOIN DE SERVICE

Garder votre facture, le bordereau de livraison ou toute autre preuve de versement effectué. La date de la facture indique le début de la période de garantie dans l'éventualité où une réparation serait requise. Il est dans votre intérêt de demander et de conserver tous les reçus. Cette garantie écrite vous donne des droits légaux spécifiques. Il est possible que vous ayez également d'autres droits qui varient selon les régions. Les services couverts par cette garantie doivent être obtenus en contactant Electrolux Home Products :

Cette garantie ne s'applique qu'aux 50 états des États-Unis, Puerto Rico, et Canada. Les caractéristiques du produit décrites ou illustrées sont sujettes à des modifications sans préavis. Toutes les garanties sont émises par Electrolux Home Products d'Amérique du Nord, une filiale de White Consolidated Industries Inc. Au Canada, votre appareil est garanti par les WCI Canada Inc.

01-U-RE-02 (Rev. 12/2000)

USA

800•944•9044

Electrolux Home Products North America

P.O. Box 212378

Augusta, GA 30917

Canada

866•294•9911

Electrolux Home Products North America

6150 McLaughlin Road

Mississauga, Ontario

L5R 4C2

ATTENTION

**Pour Installer correctement votre réfrigérateur,
consulter la section «Installation», aux pages 48 et 49**

OU

**Pour inverser les portes, consulter la section «Dépose des
portes et instructions pour l'inversion», aux pages 50 à 53**



Avant d'appeler

Problèmes courants	Consulter cette liste avant de faire un appel de service. Ceci peut vous faire économiser temps et argent. Cette liste inclut les principales causes de problèmes qui ne sont pas causés par des défauts de matériaux.
Le réfrigérateur ne fonctionne pas.	<ul style="list-style-type: none">• S'assurer que la fiche électrique est bien enfoncée dans prise de courant.• Vérifier/remplacer le fusible par un fusible de temporisation de 15 ampères. Réarmer le disjoncteur.• La commande de température est à « Off » (éteint).• Il est possible que le réfrigérateur soit dans un cycle de décongélation. Attendez 20 minutes avant de vérifier de nouveau.
La température du congélateur est trop froide. La température du réfrigérateur est adéquate.	<ul style="list-style-type: none">• Régler la commande du congélateur à un réglage plus chaud jusqu'à ce que la température soit adéquate. Attendre 24 heures pour que la température se stabilise.
La température du réfrigérateur est trop froide. La température du congélateur est adéquate.	<ul style="list-style-type: none">• Régler la commande du réfrigérateur à un réglage plus chaud. Attendre 24 heures pour que la température se stabilise. Vérifier la température du congélateur et régler au besoin.
* Le réfrigérateur est bruyant ou vibre.	<ul style="list-style-type: none">• L'appareil n'est pas à niveau.• Le plancher n'est pas assez solide.
Présence d'odeurs dans le réfrigérateur.	<ul style="list-style-type: none">• L'intérieur a besoin d'être nettoyé.• Les aliments qui dégagent une odeur forte doivent être emballés ou couverts.
L'ampoule ne fonctionne pas.	<ul style="list-style-type: none">• Remplacer l'ampoule électrique.• S'assurer que la fiche électrique est bien enfoncée dans prise de courant.• L'interrupteur est peut-être coincé. Appuyez sur l'interrupteur, situé sur le boîtier de commande du réfrigérateur, pour le décoincer.
La glacière automatique ne fonctionne pas (certains modèles).	<ul style="list-style-type: none">• S'assurer que le levier de signalisation est en position élevée.• La glacière doit produire entre 1,8 et 2,25 kg (4 et 5 lb) de glace en 24 heures.• L'alimentation en eau est coupée.• La pression d'eau est trop faible.• Le congélateur n'est pas suffisamment froid.

* Consulter la section «Bruits de fonctionnement normaux et aspects», à la page 61.

3 Ways To Contact Us!
¡3 formas de contactarnos!
3 façons de nous contacter !

USA, EE.UU., É.-U.
1-800-944-9044

CANADA, CANADÁ
1-866-213-9397 (English)
1-866-294-9911 (Français)

Or, O, Ou

USA, EE.UU., É.-U.
Electrolux Home Products
North America
P.O. Box 212378
Augusta, GA 30917

CANADA, CANADÁ
Electrolux Home Products
North America
6150 McLaughlin Road
Mississauga, Ontario
L5R 4C2

Or,O,Ou

Visit Frigidaire's Web Site At:
Visite la página de Frigidaire en Internet:
Visitez le site Internet de Frigidaire au :

<http://www.frigidaire.com>

© 2001 White Consolidated Industries, Inc.

 **The Electrolux Group. The world's No.1 choice.**

The Electrolux Group is the world's largest producer of powered appliances for kitchen, cleaning and outdoor use combined. More than 55 million Electrolux Group products (such as refrigerators, cookers, washing machines, vacuum cleaners, chain saws and lawn mowers) are sold each year to a value of approx. USD 14 billion in more than 150 countries around the world.