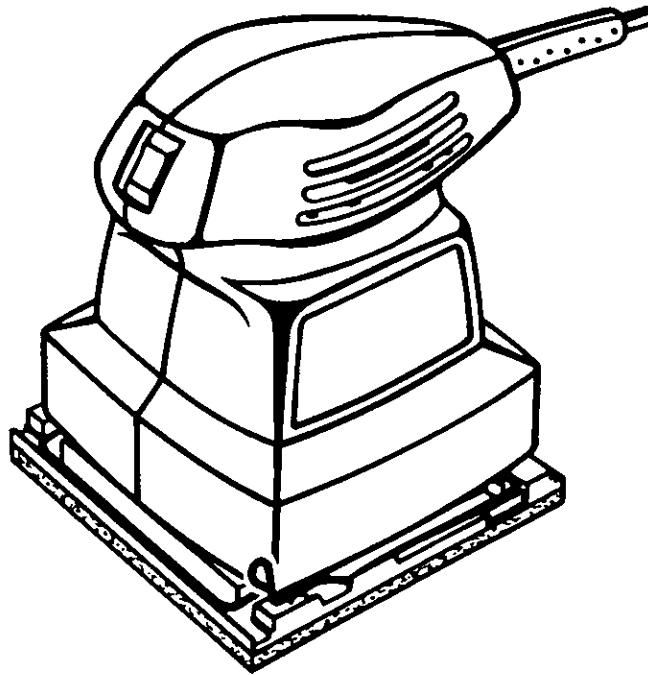


Owner's Manual

CRAFTSMAN®

Palm Grip Finishing Sander Double Insulated

Model No.
315.116271



Save this manual for
future reference.

⚠ CAUTION: Read and follow
all Safety Rules and Operating
Instructions before first use of
this product.

Customer Help Line: 1-800-932-3188

Sears, Roebuck and Co., Hoffman Estates, IL 60179 USA
Visit the Craftsman web page: www.sears.com/craftsman

972000-851
5-01

- Safety
- Features
- Adjustments
- Operation
- Maintenance
- Parts List



RULES FOR SAFE OPERATION

DOUBLE INSULATION is a concept in safety, in electric power tools, which eliminates the need for the usual three wire grounded power cord and grounded supply system. Wherever there is electric current in the tool there are two complete sets of insulation to protect the user. All exposed metal parts are isolated from internal metal motor components with protecting insulation.

WARNING:

Do not attempt to operate this tool until you have read thoroughly and understand completely all instructions, safety rules, etc. contained in this manual. Failure to comply can result in accidents involving fire, electric shock, or serious personal injury. Save owner's manual and review frequently for continuing safe operation, and instructing others who may use this tool.

IMPORTANT – Servicing of a tool with double insulation requires extreme care and knowledge of the system and should be performed only by a qualified service technician. For service we suggest you return the tool to your nearest Sears Store for repair. Always use original factory replacement parts when servicing.

WARNING:

The double insulated system is intended to protect the user from shock resulting from a break in the tool's internal wiring. Observe all normal safety precautions related to avoiding electrical shock.

READ ALL INSTRUCTIONS

- **KNOW YOUR POWER TOOL.** Read owner's manual carefully. Learn its applications and limitations as well as the specific potential hazards related to this tool.
- **GUARD AGAINST ELECTRICAL SHOCK** by preventing body contact with grounded surfaces. For example: pipes, radiators, ranges, refrigerator enclosures.
- **KEEP GUARDS IN PLACE** and in working order.
- **KEEP WORK AREA CLEAN.** Cluttered areas and benches invite accidents.
- **AVOID DANGEROUS ENVIRONMENT.** Don't use power tool in damp or wet locations or expose to rain. Keep work area well lit.
- **KEEP CHILDREN AND VISITORS AWAY.** All visitors should wear safety glasses and be kept a safe distance from work area.
- **STORE IDLE TOOLS.** When not in use tools should be stored in a dry and high or locked-up place - out of the reach of children.
- **DON'T FORCE TOOL.** It will do the job better and safer at the rate for which it was designed.
- **USE RIGHT TOOL.** Don't force small tool or attachment to do the job of a heavy duty tool. Don't use tool for purpose not intended - for example - A circular saw should never be used for cutting tree limbs or logs.
- **WEAR PROPER APPAREL.** Do not wear loose clothing or jewelry that can get caught in tool's moving parts and cause personal injury. Rubber gloves and non-skid footwear are recommended when working outdoors. Wear protective hair covering to contain long hair and keep it from being drawn into nearby air vents.
- **ALWAYS WEAR SAFETY GLASSES WITH SIDE SHIELDS.** Everyday eyeglasses have only impact-resistant lenses; they are **NOT** safety glasses.
- **PROTECT YOUR LUNGS.** Wear a face mask or dust mask if operation is dusty.
- **PROTECT YOUR HEARING.** Wear hearing protection during extended periods of operation.
- **DON'T ABUSE CORD.** Never carry tool by cord or yank it to disconnect from receptacle. Keep cord from heat, oil, and sharp edges.
- **SECURE WORK.** Use clamps or a vise to hold work. Both hands are needed to operate the tool.
- **DO NOT OVERREACH.** Keep proper footing and balance at all times. Do not use on a ladder or unstable support.
- **MAINTAIN TOOLS WITH CARE.** Keep tools sharp and clean for best and safest performance. Follow instructions for lubricating and changing accessories.
- **DISCONNECT ALL TOOLS.** When not in use, before servicing, or when changing or adjusting sandpaper, attachments, blades, bits, cutters, etc., all tools should be disconnected from power supply.
- **REMOVE ADJUSTING KEYS AND WRENCHES.** Form habit of checking to see that keys and adjusting wrenches are removed before turning tool on.
- **AVOID ACCIDENTAL STARTING.** Don't carry plugged-in tools with finger on switch. Be sure switch is off when plugging in.

RULES FOR SAFE OPERATION

- **USE THE PROPER EXTENSION CORD.** Make sure your extension cord is in good condition. When using an extension cord, be sure to use one heavy enough to carry the current your product will draw. An undersized cord will cause a drop in line voltage resulting in loss of power and overheating. A wire gage size (A.W.G.) of at least 16 is recommended for an extension cord 100 feet or less in length. A cord exceeding 100 feet is not recommended. If in doubt, use the next heavier gage. The smaller the gage number, the heavier the cord.
- **USE ONLY OUTDOOR EXTENSION CORDS** with approved ground connection that are intended for use outdoors and so marked.
- **NEVER USE THIS OR ANY POWER SANDER FOR WET SANDING OR LIQUID POLISHING.** Failure to comply can result in electrical shock causing serious injury or worse.
- **KEEP HANDS AWAY FROM SANDING AREA.**
- **NEVER USE IN AN EXPLOSIVE ATMOSPHERE.** Normal sparking of the motor could ignite fumes.
- **INSPECT TOOL CORDS PERIODICALLY** and, if damaged, have repaired by a qualified service technician. Stay constantly aware of cord location.
- **INSPECT EXTENSION CORDS PERIODICALLY** and replace if damaged.
- **KEEP HANDLES DRY, CLEAN, AND FREE FROM OIL AND GREASE.** Always use a clean cloth when cleaning. Never use brake fluids, gasoline, petroleum-based products or any strong solvents to clean your tool.
- **STAY ALERT AND EXERCISE CONTROL.** Watch what you are doing and use common sense. **Do not** operate tool when you are tired. **Do not** rush.
- **CHECK DAMAGED PARTS.** Before further use of the tool, a guard or other part that is damaged should be carefully checked to determine that it will operate properly and perform its intended function. Check for alignment of moving parts, binding of moving parts, breakage of parts, mounting, and any other conditions that may affect its operation. A guard or other part that is damaged must be properly repaired or replaced by an authorized service center to avoid risk of personal injury.
- **DO NOT USE TOOL IF SWITCH DOES NOT TURN IT ON AND OFF.** Have defective switches replaced by an authorized service center.
- **INSPECT FOR** and remove all nails from lumber before sanding.
- **DRUGS, ALCOHOL, MEDICATION.** Do not operate tool while under the influence of drugs, alcohol, or any medication.
- **WHEN SERVICING USE ONLY IDENTICAL CRAFTSMAN REPLACEMENT PARTS.**
- **POLARIZED PLUGS.** To reduce the risk of electric shock, this tool has a polarized plug (one blade is wider than the other). This plug will fit in a polarized outlet only one way. If the plug does not fit fully in the outlet, reverse the plug. If it still does not fit, contact a qualified electrician to install the proper outlet. Do not change the plug in any way.
- **SAVE THESE INSTRUCTIONS.** Refer to them frequently and use them to instruct other users. If you loan someone this tool, loan them these instructions also.

WARNING:

Some dust created by power sanding, sawing, grinding, drilling, and other construction activities contains chemicals known to cause cancer, birth defects or other reproductive harm. Some examples of these chemicals are:

- lead from lead-based paints,
- crystalline silica from bricks and cement and other masonry products, and
- arsenic and chromium from chemically-treated lumber.

Your risk from these exposures varies, depending on how often you do this type of work. To reduce your exposure to these chemicals: work in a well ventilated area, and work with approved safety equipment, such as those dust masks that are specially designed to filter out microscopic particles.



Look for this symbol to point out important safety precautions. It means attention!!! Your safety is involved.

INTRODUCTION

CONGRATULATIONS AND THANK YOU FOR BUYING THIS CRAFTSMAN PALM GRIP FINISHING SANDER.

It has been designed, engineered and manufactured to provide you with Sears high standard of dependability, ease of operation, and operator safety. Properly cared for, it will give you years of rugged, trouble-free performance.

CAUTION:

Carefully read through this entire owner's manual before using your new sander. Pay close attention to the Rules For Safe Operation, Warnings and Cautions. If you use your sander properly and only for what it is intended, you will enjoy years of safe, reliable service.

Your sander has many features for making your sanding operations more pleasant and enjoyable. Safety, performance, and dependability have been given top priority in the design of this sander making it easy to maintain and operate.

SPECIFICATIONS:

Size of Paper	1/4 Sheet
Orbital Motion	
Amperes	1.8
Rating	120 Volts, 60 Hz, AC only
No Load Speed	14,000 OPM
Orbital Diameter	1/16 inch

UNPACKING

Your sander has been shipped completely assembled and ready for use. After removing it from the box, inspect it carefully to make sure no breakage or damage has occurred during shipping and that no parts are missing. If any parts are damaged or missing, contact your nearest Sears Service Center or the Service Department at most Sears stores.

FULL ONE YEAR WARRANTY ON CRAFTSMAN SANDER

If this **CRAFTSMAN** Sander fails to give complete satisfaction within one year from the date of purchase, **RETURN IT TO THE NEAREST SEARS STORE IN THE UNITED STATES**, and Sears will replace it, free of charge.

If this **CRAFTSMAN** Sander is used for commercial or rental purposes, this warranty applies for only 90 days from the date of purchase.

This warranty gives you specific legal rights, and you may also have other rights which vary from state to state.

Sears, Roebuck and Co., DEPT. 817 WA, Hoffman Estates, IL 60179

TABLE OF CONTENTS

- Rules for Safe Operation 2-3
- Introduction, Product Specifications, and Unpacking 4
- Warranty and Table of Contents 4
- Operation 5-8
- Accessories 9
- Maintenance 10
- Exploded View and Parts List 11
- Parts Ordering / Service 12

WARNING:



The operation of any sander can result in foreign objects being thrown into your eyes which can result in severe eye damage. Before beginning power tool operation, always wear safety goggles or safety glasses with side shields and a full face shield when needed. We recommend Wide Vision Safety Mask for use over eyeglasses or standard safety glasses with side shields.

OPERATION

⚠ WARNING:

Always wear safety goggles or safety glasses with side shields when operating your sander. Failure to do so could result in dust, shavings, loose particles or foreign objects being thrown into your eyes, causing possible serious injury.

KNOW YOUR SANDER

Before attempting to use your sander, familiarize yourself with all operating features and safety requirements. See *Figure 1*.

SWITCH

See *Figure 1*.

Your sander is equipped with a simple switch control located on the front of your sander. To turn your sander **ON**, depress the switch button to the **ON** position as shown in figure 1. To turn your sander **OFF**, depress the switch button in the opposite direction to the **OFF** position.

Be sure your sander is not ON before connecting to power supply source.

⚠ WARNING:

If any parts are missing, do not operate your sander until the missing parts are replaced. Failure to do so could result in possible serious personal injury.

ELECTRICAL CONNECTION

Your sander has a precision built electric motor. It should be connected to a **power supply that is 120 volts, 60Hz, AC only (normal household current)**. Do not operate this tool on direct current (DC). A voltage drop of more than 10 percent will cause a loss of power and the motor will overheat. If your tool does not operate when plugged into an outlet, double-check the power supply.

⚠ WARNING:

Do not allow familiarity with your sander to make you careless. Remember that a careless fraction of a second is sufficient to inflict severe injury.

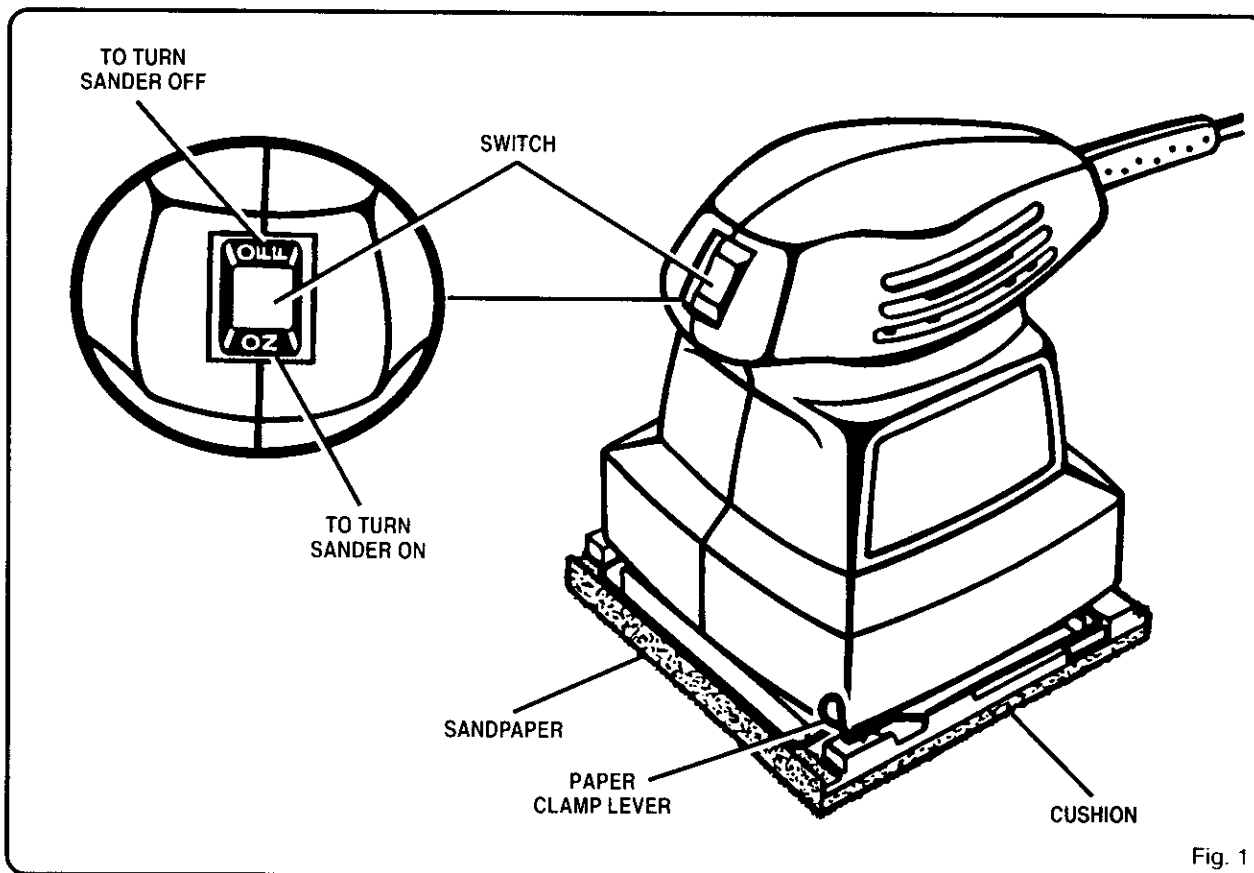


Fig. 1

OPERATION

SANDPAPER SELECTION

Selecting the correct size grit and type sandpaper is an extremely important step in achieving a high quality sanded finish. Aluminum oxide, silicon carbide, and other synthetic abrasives are best for power sanding. Natural abrasives, such as flint and garnet are too soft for economical use in power sanding.

In general, coarse grit will remove the most material and finer grit will produce the best finish in all sanding operations. The condition of the surface to be sanded will determine which grit will do the job. If the surface is rough, start with a coarse grit and sand until the surface is uniform. Medium grit may then be used to remove scratches left by the coarser grit and finer grit used for finishing of the surface. Always continue sanding with each grit until surface is uniform.

NOTE: To prevent damaging the cushion, **DO NOT** use sander without sandpaper installed.

WARNING:

Your sander should never be connected to power supply when you are installing or replacing sandpaper, assembling parts, making adjustments, when cleaning, or when not in use. Disconnecting your sander will prevent accidental starting that could cause serious

TO INSTALL NON-ADHESIVE SANDPAPER

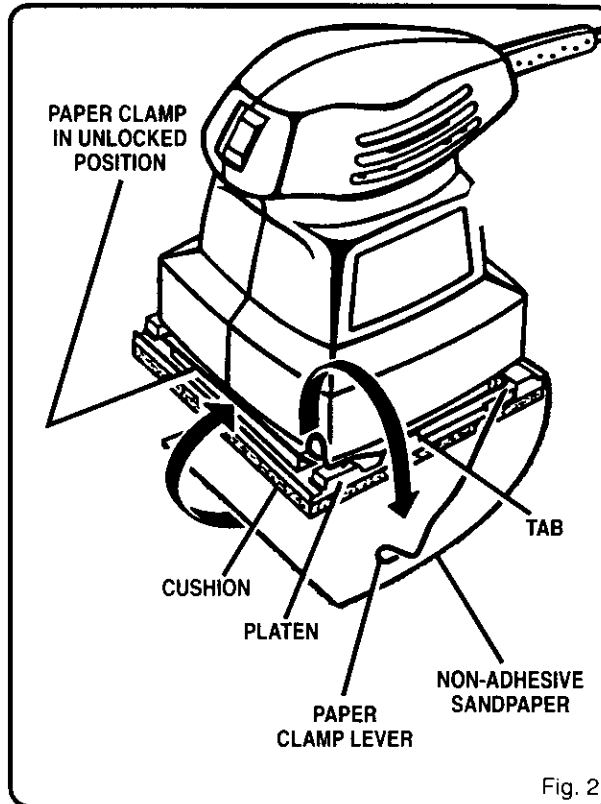
See Figure 2.

Inspect sandpaper before installing. **Do not use if broken or defective.**

- **UNPLUG YOUR SANDER.**

WARNING:

Failure to unplug your sander could result in accidental starting causing serious injury.



- If replacing sandpaper, remove old sandpaper. To remove old sandpaper, release paper clamp by lifting up on paper clamp lever and disengaging it from the tab on the platen.
- Insert end of new sandpaper under the paper clamp.
- Lift up on paper clamp lever and lock into place. Apply downward pressure to conform sandpaper to platen.
- Wrap sandpaper around cushion. Lift paper clamp lever on opposite end of sander and insert loose end of sandpaper under the paper clamp. Fit sandpaper against cushion as tight as possible.
- Lift up on paper clamp lever and lock into place.

OPERATION

TO INSTALL ADHESIVE SANDPAPER

See Figure 3.

Inspect sandpaper before installing. Do not use if broken or defective.

■ UNPLUG YOUR SANDER.

⚠ WARNING:

Failure to unplug your sander could result in accidental starting causing serious injury.

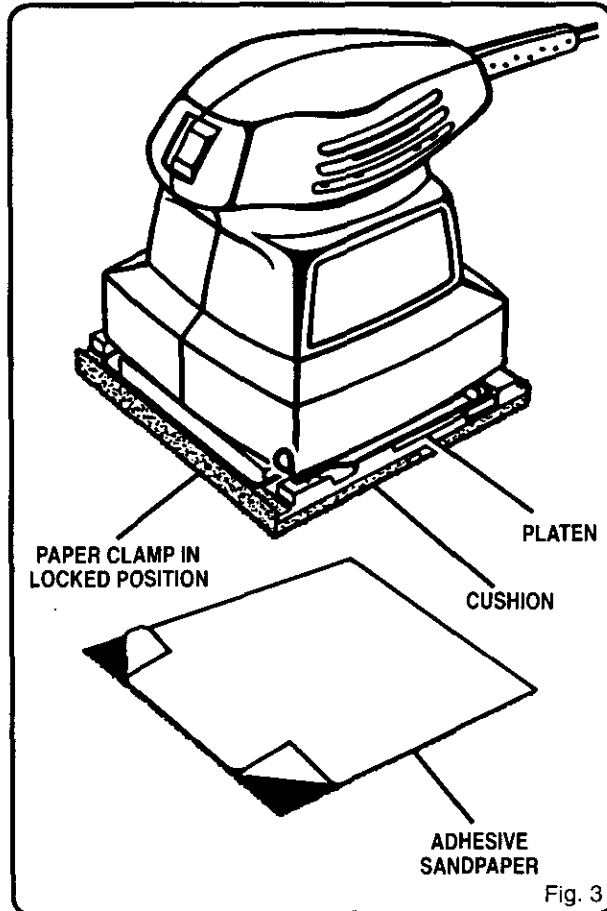
- If replacing sandpaper, remove old sandpaper by peeling it off cushion. If removing non-adhesive sandpaper, release paper clamp by lifting up on paper clamp lever and disengaging it from the tab on the platen. Then remove non-adhesive sandpaper, lift paper clamp lever, and return it to its proper place over tab on platen.
- Carefully peel adhesive backing from new 1/4 sheet sandpaper.
- Position sandpaper into place, then carefully press sticky side of sandpaper on cushion.

REMOVE SANDPAPER BEFORE STORAGE

Do not store your sander with sandpaper installed. Heat generated from sanding causes the pressure sensitive adhesive to flow and form a tight bond between the cushion and sandpaper.

Removing the sandpaper soon after you have finished a sanding operation avoids letting the adhesive set up. If the sandpaper is left on the cushion for an extended period of time after use, the adhesive will set up and cause the sandpaper to become difficult to remove. It may also tear when removing. When this situation occurs, it becomes difficult to clean the cushion for the next sandpaper.

NOTE: If you forget to remove the sandpaper after a sanding operation, sand for a few minutes to soften the adhesive backing before attempting to remove sandpaper.



OPERATION

APPLICATIONS

(Use only for the purposes listed below)

- Sanding on wood surfaces.
- Removing rust from and sanding steel surfaces.

⚠ WARNING:

Do not wear loose clothing or jewelry when operating sander. They could get caught in moving parts causing serious injury. Keep head away from sander and sanding area. Hair could be drawn into sander causing serious injury.

TO OPERATE

Clamp or otherwise secure the work to prevent it from moving under your sander.

⚠ WARNING:

Unsecured work could be thrown towards the operator causing injury.

Hold your sander in front and away from you, keeping it clear of the workpiece. Start your sander by pressing the switch to **ON** position and letting the motor build to its maximum speed. Gradually lower your sander on the work with a slight forward movement. See Figure 4. Move it slowly using forward and backward strokes.

DO NOT FORCE. The weight of the unit supplies adequate pressure, so let the sanding sheet and sander do the work. Applying additional pressure only slows the motor, rapidly wears sandpaper and greatly reduces sander speed. Excessive pressure will overload the motor causing possible damage from motor overheating and can result in inferior work. Any finish on resin or wood may soften from the frictional heat. Do not allow sanding on one spot too long as the sander's rapid action may remove too much material, making the surface uneven. Always lift your sander from workpiece before turning off.

Flush sanding can be performed with your sander. As shown in figure 5, the front edge of your sander allows flush sanding in corners. The two side edges can also be used when sanding in corners. Always remove sander from workpiece before turning your sander off.

ORBITAL MOTION

Orbital motion is ideal for fast cutting action when removing old finishes, smoothing rough wood, cutting stock down to required dimensions or for finishing surfaces to be painted. As shown in Figure 6, the sandpaper moves in tiny circles at a very high speed, allowing the sander to move easily.

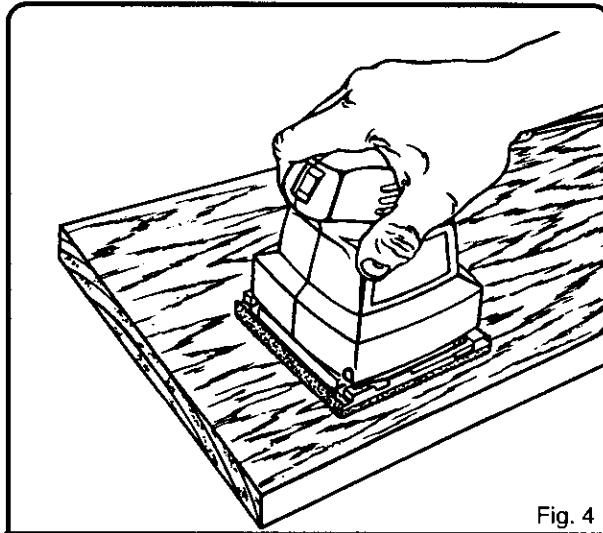


Fig. 4

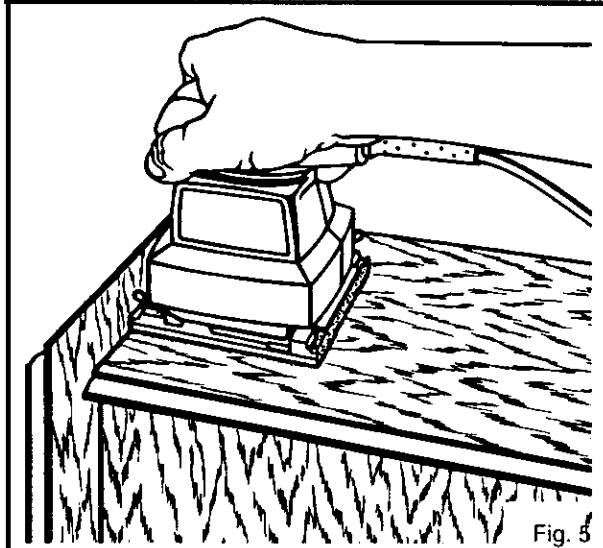


Fig. 5

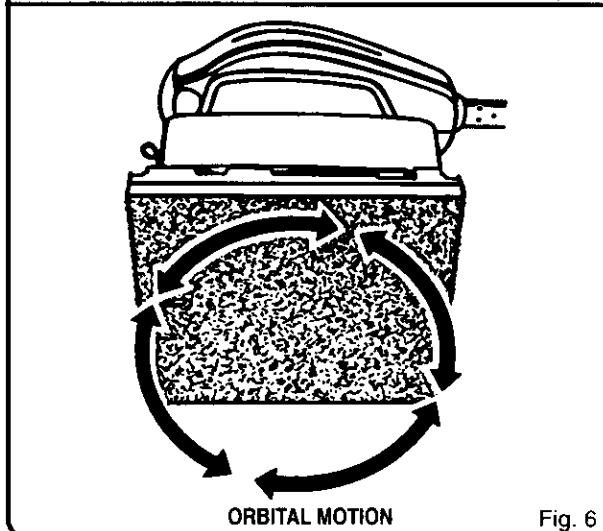


Fig. 6

ACCESSORIES

THE FOLLOWING RECOMMENDED ACCESSORIES ARE
CURRENTLY AVAILABLE AT SEARS RETAIL STORES.

ALUMINUM OXIDE SHEETS WITH PAPER BACKING (1/4 SHEET)

- X-Fine
- Fine
- Medium
- Coarse

PRESSURE SENSITIVE ADHESIVE, PAPER BACKED SHEETS (1/4 SHEET)

- X-Fine
- Fine
- Medium
- Coarse

THE FOLLOWING STANDARD 4-1/2 IN. X 11 IN. SANDING SHEETS CAN BE CUT TO FIT YOUR SANDER.

NON-LOADING ALUMINUM OXIDE SANDING SHEETS

- X-Fine
- Fine
- Medium
- Coarse



WARNING: The use of attachments or accessories not listed above might be hazardous.

MAINTENANCE

WARNING:

When servicing use only identical Craftsman replacement parts. Use of any other parts may create a hazard or cause product damage.

It has been found that electric tools are subject to accelerated wear and possible premature failure when they are used on fiberglass boats, sports cars, wallboard, spackling compounds, or plaster. The chips and grindings from these materials are highly abrasive to electric tool parts such as bearings, brushes, commutators, etc. Consequently, it is not recommended that this tool be used for extended work on any fiberglass material, wallboard, spackling compounds, or plaster. During any use on these materials, it is extremely important that the tool is cleaned frequently by blowing with an air jet.

GENERAL

Only the parts shown on parts list, page 11, are intended to be repaired or replaced by the customer. All other parts represent an important part of the double insulation system and should be serviced only by a qualified Sears service technician.

Avoid using solvents when cleaning plastic parts. Most plastics are susceptible to damage from various types of commercial solvents and may be damaged by their use. Use clean cloths to remove dirt, carbon dust, etc.

WARNING:

Always wear safety goggles or safety glasses with side shields during power tool operation or when blowing dust. If operation is dusty, also wear a dust mask.

WARNING:

Do not at any time let brake fluids, gasoline, petroleum-based products, penetrating oils, etc. come in contact with plastic parts. They contain chemicals that can damage, weaken, or destroy plastic.

EXTENSION CORDS

The use of any extension cord will cause some loss of power. To keep the loss to a minimum and to prevent tool overheating, use an extension cord that is heavy enough to carry the current the tool will draw.

A wire gage size (A.W.G.) of at least 16 is recommended for an extension cord 100 feet or less in length. When working outdoors, use an extension cord that is suitable for outdoor use. The cord's jacket will be marked **WA**.

CAUTION:

Keep extension cords away from the sanding area and position the cord so that it will not get caught on lumber, tools, etc. during sanding operation.

WARNING:

Check extension cords before each use. If damaged replace immediately. Never use tool with a damaged cord since touching the damaged area could cause electrical shock resulting in serious injury.

LUBRICATION

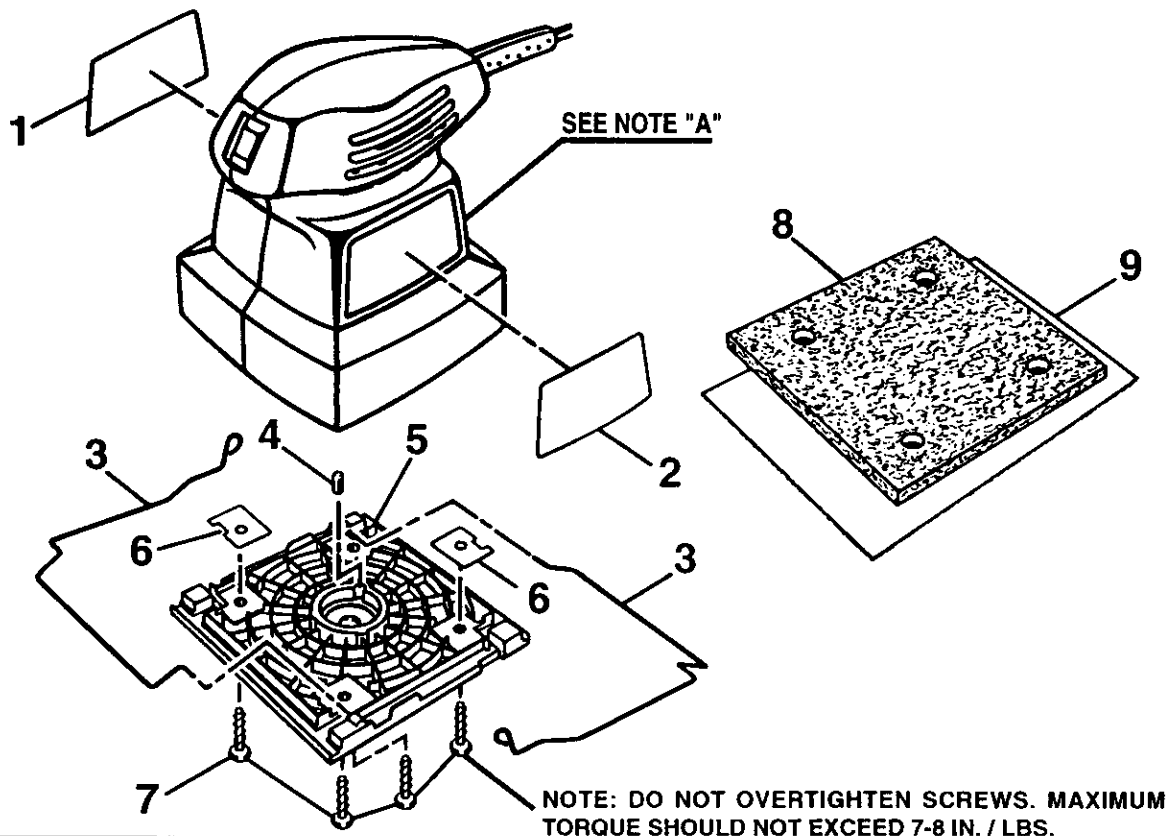
All of the bearings in this tool are lubricated with a sufficient amount of high grade lubricant for the life of the unit under normal operating conditions. Therefore, no further lubrication is required.



CRAFTSMAN PALM GRIP FINISHING SANDER – MODEL NO. 315.116271

The model number will be found on a plate attached to the motor housing. Always mention the model number in all correspondence regarding your SANDER or when ordering repair parts.

SEE BACK PAGE FOR PARTS ORDERING INSTRUCTIONS



PARTS LIST

Key No.	Part Number	Description	Quan.
1	982584-001	Data Plate	1
2	980438-001	Logo Plate	1
3	973776-002	Paper Clamp	2
4	623019-004	Rubber Plug	1
5	973764-000	Platen (Includes Key Nos. 4 and 8)	1
6	974485-001	Paper Clamp Retainer	2
7	617966-030	* Screw (#8-10 x 5/8 In. Pan Hd.)	4
8	973775-002	Cushion	1
9	***	Sandpaper	1
	972000-851	Owner's Manual	

NOTE "A": The assembly shown represents an important part of the double insulated system. To avoid the possibility of alteration or damage to the system, service should be performed by your nearest Sears Repair Center. Contact your nearest Sears Retail Store.

* Standard Hardware Item — May Be Purchased Locally

*** Complete Assortment Available At Your Nearest Sears Retail Store

Get it fixed, at your home or ours!

For repair of major brand appliances **in your own home...**
no matter who made it, no matter who sold it!

1-800-4-MY-HOMESM Anytime, day or night
(1-800-469-4663)

www.sears.com

To bring in products such as vacuums, lawn equipment and electronics
for repair, call for the location of your nearest **Sears Parts & Repair Center.**

1-800-488-1222 Anytime, day or night

www.sears.com

For the replacement parts, accessories and owner's manuals
that you need to do-it-yourself, call **Sears PartsDirect**SM!

1-800-366-PART 6 a.m. – 11 p.m. CST,
(1-800-366-7278) 7 days a week

www.sears.com/partsdirect

To purchase or inquire about a Sears Service Agreement:

1-800-827-6655

7 a.m. – 5 p.m. CST, Mon – Sat

Para pedir servicio de reparacion a domicilio,
y para ordenar piezas con entrega a domicilio

1-888-SU-HOGARSM
(1-888-784-6427)

Au Canada pour service en français

1-877-LE-FOYERSM
(1-877-533-6937)

