

SEARS

owner's manual

Model
C950-52005-0
5-H.P. 22 inch

CAUTION:

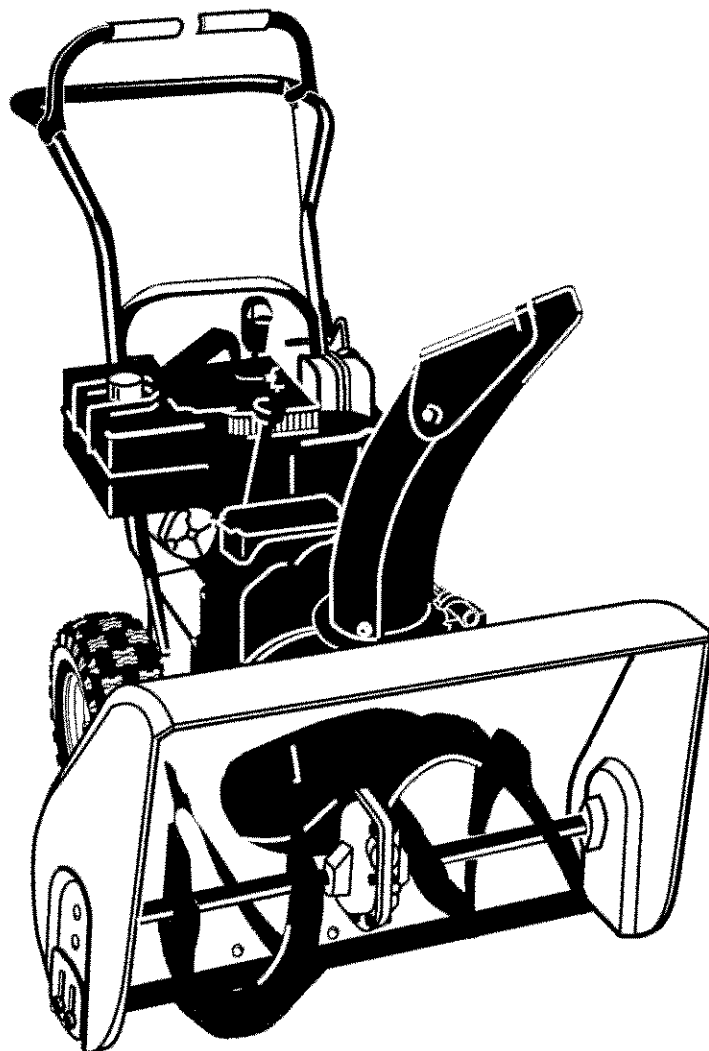
You must read and understand this owner's manual before operating unit.

Serial No. _____

SEARS

CRAFTSMAN

DUAL STAGE SNOW BLOWER



RULES FOR SAFE OPERATION

IMPORTANT



WARNING: Always disconnect the spark plug wire and place it where it cannot make contact with spark plug to prevent accidental starting during: Preparation, Maintenance, or Storage of your snow blower.



SAFE OPERATION PRACTICES FOR WALK-BEHIND SNOW BLOWER DO NOT OPERATE THIS EQUIPMENT BEFORE READING THIS MANUAL



WARNING:



Engine Exhaust, some of its constituents, and certain vehicle components contain or emit chemicals known to the State of California to cause cancer and birth defects or other reproductive harm.

Battery posts, terminals and related accessories contain lead and lead compounds, chemicals known to the State of California to cause cancer and birth defects or other reproductive harm. WASH HANDS AFTER HANDLING.

TRAINING

1. Read the operating and service instruction manual carefully. Be thoroughly familiar with the controls and the proper use of the equipment. Know how to stop the unit and disengage the controls quickly.
2. Never allow children to operate the equipment. Never allow adults to operate the equipment without proper instruction.
3. Keep the area of operation clear of all persons, particularly small children and pets.
4. Exercise caution to avoid slipping or falling especially when operating in reverse.

PREPARATION

1. Thoroughly inspect the area where the equipment is to be used and remove all doormats, sleds, boards, wires, and other foreign objects.
2. Disengage all clutches before starting the engine.
3. Do not operate the equipment without wearing adequate winter outer garments. Wear footwear that will improve footing on slippery surfaces.
4. Handle fuel with care; it is highly flammable.
 - (a) Use an approved fuel container.
 - (b) Never add fuel to a running engine or hot engine.

(c) Fill fuel tank outdoors with extreme care. Never fill fuel tank indoors.

(d) Replace gasoline cap securely and wipe up spilled fuel.

5. For all units with electric starting motors use electric starting extension cords certified CSA/UL. Use only with a receptacle that has been installed in accordance with local inspection authorities.
6. Adjust the auger housing height to clear gravel or crushed rock surface.
7. Under no circumstances should any adjustments be made while the engine is running (except when specifically recommended by manufacturer).
8. Let engine and machine adjust to outdoor temperatures before starting to clear snow.
9. Always wear safety glasses or eye shields during operation or while performing an adjustment or repair to protect eyes from foreign objects that may be thrown from the machine.

OPERATION

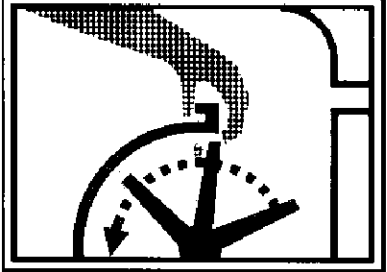

1. Do not put hands or feet near or under rotating parts. Keep clear of the discharge opening at all times.
2. Exercise extreme caution when operating on or crossing gravel drives, walks or roads. Stay alert for hidden hazards or traffic.
3. Never discharge snow onto public roads or near moving traffic.
4. After striking a foreign object, stop the engine, remove the wire from the spark plug, thoroughly inspect snow blower for any damage, and repair the damage before re-starting and operating the snow blower.
5. If the unit should start to vibrate abnormally, stop the engine and check immediately for the cause. Vibration is generally a warning of trouble.
6. Stop the engine and remove spark plug wire whenever you leave the operating position, before unclogging the auger/impeller housing or discharge chute and when making any repairs, adjustments, or inspections.
7. When cleaning, repairing, or inspecting, make certain the auger/impeller and all moving parts have stopped and all controls are disengaged. Disconnect the spark plug wire and keep the wire away from the spark plug to prevent accidental starting.

RULES FOR SAFE OPERATION

8. Take all possible precautions when leaving the snow blower unattended. Disengage the auger/ impeller, shift to neutral, stop engine, and remove key.
9. Do not run the engine indoors, except when starting the engine and for transporting the snow blower in or out of the building. Ensure the outside doors are open; exhaust fumes are dangerous.
10. Do not clear snow across the face of slopes. Exercise extreme caution when changing direction on slopes. Do not attempt to clear steep slopes.
11. Never operate the snow blower without proper guards, plates or other safety protective devices in place.
12. Never operate the snow blower near enclosures, automobiles, window wells, drop-offs, and the like without proper adjustment of the snow discharge angle. Keep children and pets away.
13. Do not overload the machine capacity by attempting to clear snow at too fast a rate.
14. Never operate the machine at high transport speeds on slippery surfaces. Look behind and use care when backing up.
15. Never direct discharge at bystanders or allow anyone in front of the unit.
16. Disengage power to the collector/impeller when snow blower is transported or not in use.
17. Use only attachments and accessories approved by the manufacturer of the snow blower (such as wheel weights, counterweights, cabs, and the like).
18. Never operate the snow blower without good visibility or light. Always be sure of your footing and keep a firm hold on the handles.
19. Do not over-reach. Keep proper footing and balance at all times.
20. Do not attempt to use snow blower on a roof.

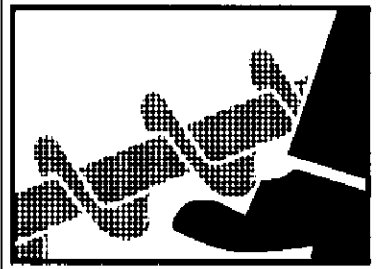

MAINTENANCE AND STORAGE

1. Check shear bolts and other bolts at frequent intervals for proper tightness to be sure the equipment is in safe working condition.
2. Never store the machine with fuel in the tank inside a building where ignition sources are present such as hot water and space heaters, clothes dryers, and the like. Allow the engine to cool before storing in any enclosure.
3. Always refer to operator's guide instructions for important details if the snow blower is to be stored for an extended period.
4. Maintain or replace safety and instruction labels, as necessary.
5. Run the machine 2 minutes with auger clutch lever engaged after blowing snow to prevent freeze-up of the auger/impeller.



WARNING: Do not use hands to unclog discharge chute.

- Stop engine/motor before removing debris.
- Do not walk in front of running machine.
- Do not discharge at bystanders.
- Keep people and pets a safe distance from the machine.
- Before leaving machine, shut off engine/ motor and remove key.



WARNING: Avoid injury from rotating auger— keep hands, feet, and clothing away.

OWNER'S INFORMATION

DATE PURCHASED: _____
MODEL NO: _____
SERIAL NO: _____
STORE WHERE PURCHASED: _____
ADDRESS: _____
CITY: _____ PROVINCE: _____
TELEPHONE : _____

Record this information about your unit so that you will be able to provide it in case of loss or theft.

Horse Power	5 HP
Gasoline Capacity	2 quarts (2 litre)
Oil Capacity (5W30)	21 oz. (630 ml)
Spark Plug: (Gap .030 in.)	Champion RJ19LM
Tire Pressure	24 PSI (1,687 kg/cm ²)
See side of the tire for maximum inflation. Do not exceed the maximum pressure on the tire wall.	

MAINTENANCE AGREEMENT

The Craftsman Warranty, plus a Maintenance Agreement, provide maximum value for Sears products. Contact your nearest Sears store for details.

CUSTOMER RESPONSIBILITIES

Read and observe the safety rules.

Follow a regular schedule in maintaining, caring for and using your snow blower.

Follow the instructions under "Customer Responsibilities" and "Storage" sections of this owner's manual.

WHEELED SNOW BLOWER

LIMITED TWO (2) YEAR WARRANTY ON CRAFTSMAN SNOW BLOWER

For two (2) years from date of purchase, Sears Canada Inc. will repair or replace free of charge, at Sears option, parts which are defective as a result of material or workmanship.

COMMERCIAL OR RENTAL USE:

Warranty on snow blower will be 90 days from date of purchase if used for commercial or rental purposes.

THIS WARRANTY DOES NOT COVER:

1. Pre-delivery set-up.
2. Expendable items which become worn during normal use, such as belts, spark plugs, filter, shear pins as well as damages to the engine resulting from operating the snow blower with insufficient oil.
3. Tire replacement or repair caused by punctures from outside objects, such as nails, thorns, stumps or glass.
4. In home service.

Warranty service is available by returning the Craftsman snow blower to the nearest Sears Service Centre/Department in Canada. This warranty applies only while this product is in use in Canada.

This warranty is in addition to any statutory warranty and does NOT exclude or limit legal rights you may have but shall run concurrently with applicable provincial legislation. Furthermore, some provinces do not allow limitations on how long an implied warranty will last so the above limitations may not apply to you.

SEARS CANADA INC., TORONTO, ONTARIO M5B 2B8

TABLE OF CONTENTS

RULES FOR SAFE OPERATION	2	AS REQUIRED	17
OWNER'S INFORMATION	4	LUBRICATION AT STORAGE	17
ASSEMBLY	6	LUBRICATION – EVERY 25 HOURS	18
TOOLS REQUIRED FOR ASSEMBLY	6	ENGINE	19
CONTENTS OF SHIPPING CARTON	6	ADJUSTMENT/REPAIR	20
PARTS BAGS CONTENTS:	6	AUGER HOUSING HEIGHT ADJUSTMENT	20
UNPACKING	7	TO ADJUST SCRAPER BAR	20
UPPER HANDLE AND CRANK ASSEMBLY	8	TO ADJUST SKID HEIGHT	20
CONNECT CONTROL CABLE SPRINGS	8	BELT ADJUSTMENT	21
SPEED SELECT LEVER	8	TRACTION DRIVE BELT	21
SHIFTER LEVER KNOB ASSEMBLY	9	AUGER DRIVE BELT	21
OPERATION	10	BELT REPLACEMENT	21
ENGINE AND SNOW BLOWER OPERATING CONTROLS	10	AUGER DRIVE BELT	21
SNOW BLOWER OPERATION	11	TRACTION DRIVE BELT	21
WHEEL LOCK OUT PIN	12	BELT GUIDE ADJUSTMENT	22
BEFORE STARTING ENGINE	13	CABLE ADJUSTMENT	22
CHECK THE OIL	13	FRICTION WHEEL ADJUSTMENT	23
FILL GAS	13	FRICTION WHEEL REPLACEMENT	24
BEFORE STOPPING THE ENGINE	13	AUGER SHEAR BOLT REPLACEMENT	25
TO START ENGINE	13	STORAGE	26
OPERATING TIPS	15	TROUBLE SHOOTING CHART	27
SERVICE RECOMMENDATIONS	16	REPAIR PARTS	28
CUSTOMER RESPONSIBILITIES	17	PARTS ORDERING SERVICE	46
SNOW BLOWER	17	ORDER REPAIR PARTS	47

ASSEMBLY

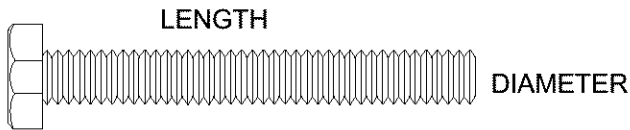
TOOLS REQUIRED FOR ASSEMBLY

- 1-Knife
- 2 1/2" wrenches (or adjustable wrenches)
- 2-9/16" wrenches (or adjustable wrenches)
- 2-3/4" wrenches (or adjustable wrenches)
- 1- Pair pliers or screw driver (to spread cotter pin)

CONTENTS OF SHIPPING CARTON

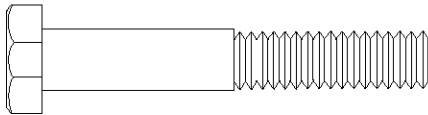
- 1- Snow Blower
- 1- Bottle of Fuel Stabilizer
- 1- Crank Assembly
- 1- Parts Bag

HOW TO MEASURE SCREW SIZE

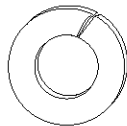


WARNING: Always wear safety glasses or eye shields while assembling snow blower.

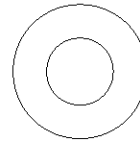
PARTS BAGS CONTENTS:



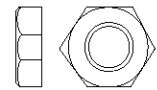
1- 5/16-18 X 2.00 Bolt



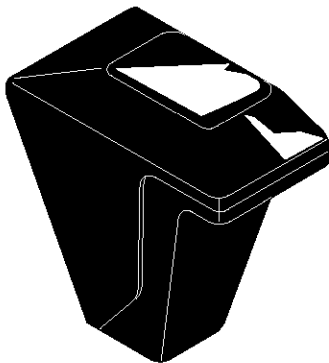
1- 5/16-18
Lockwasher



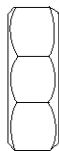
1- 5/16-18
Washer, Flat



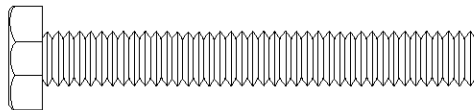
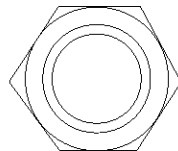
1- 5/16-18
Nut



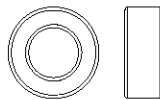
1- Shifter Knob



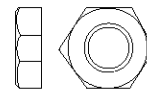
1- 1/2-13 Hex Jam Nut



* 2-1/4-20 x 1.75



* 2-Spacer



* 2-1/4-20
Hex nut

*Non Assembly parts are found in toolbox located on top of belt cover.

ASSEMBLY

Figure 1 shows the snow blower in the shipping position.

Figure 2 shows the snow blower completely assembled.

Reference to right and left hand side of the snow blower is from the operator's position at the handle.

UNPACKING

1. Locate and remove the fuel stabilizer and the parts bag.

NOTE: Place fuel stabilizer in a safe place until needed for storage.

2. Cut all four corners of the carton from top to bottom and lay the panels flat.
3. Locate all parts packed separately and remove from carton.
4. Remove and discard the packing material from around the snow blower.
5. For shipping purposes, the **height adjust skids** are attached to the pallet. Remove the **screw** that secures each **height adjust skid** to the pallet.
6. Roll the snow blower off the carton by pulling on the lower handle.

CAUTION: DO NOT back over cables.

7. Remove the packing material from the handle assembly.
8. Cut ties securing the clutch control cables to the lower handle.

NOTE: If the cables have become disconnected from the clutch levers, reinstall the cables as shown in Figure 3.

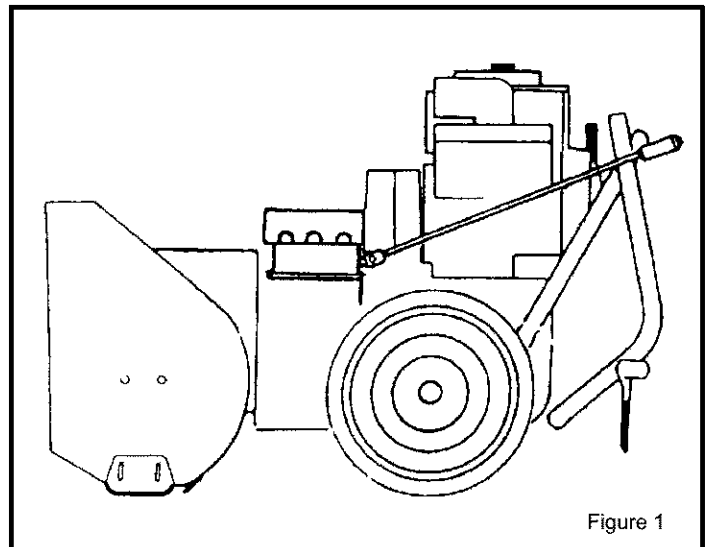


Figure 1

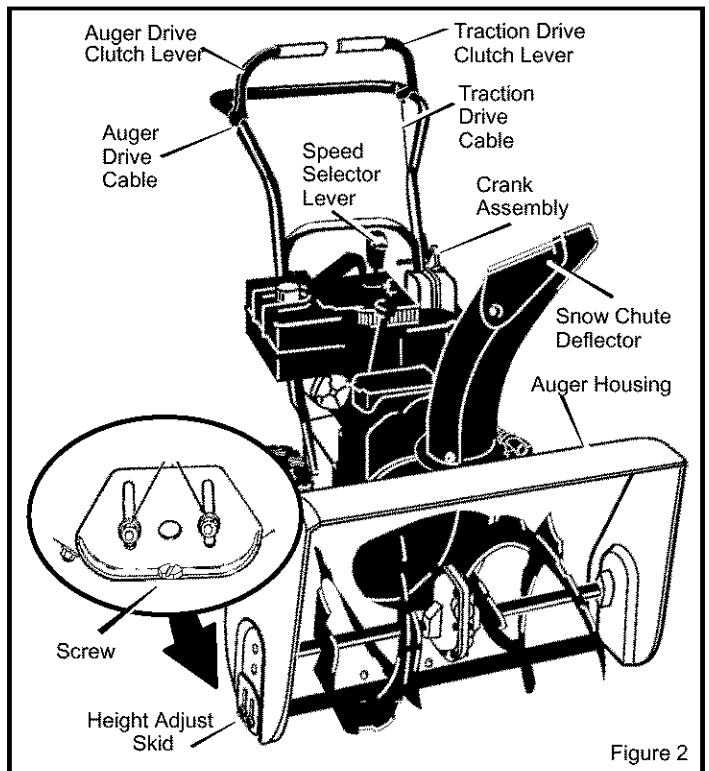


Figure 2

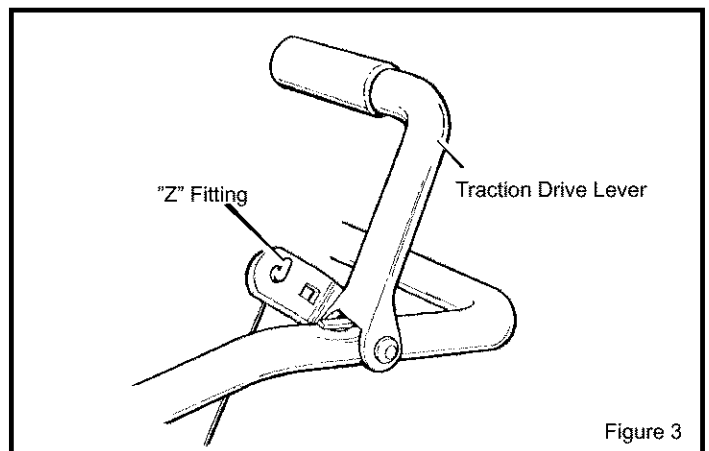


Figure 3

ASSEMBLY

UPPER HANDLE AND CRANK ASSEMBLY

1. Loosen, but do not remove the screws, flatwashers, lockwashers and hex nuts in the upper holes of the lower handle.
2. Raise upper handle into operating position. Upper handle should be to the outside of the lower handle.

NOTE: Make sure the cables are not caught between the upper and lower handle.

3. Install hardware supplied in the parts bag (bolt, flatwasher, lockwasher, and hex nut) into right lower hole of upper handle (See Figure 5). Do not tighten until all bolts are in place.
4. Install hardware supplied in the parts bag (bolt, flatwasher, lockwasher and hex nut) into right lower hole of upper handle (See Figure 4). Do not tighten until all bolts are in place.

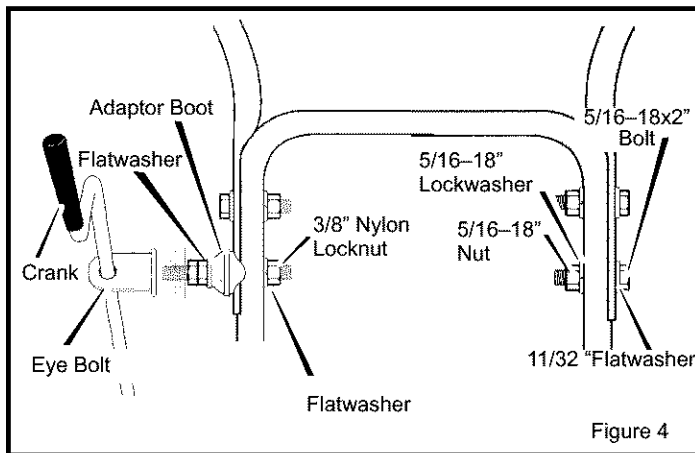


Figure 4

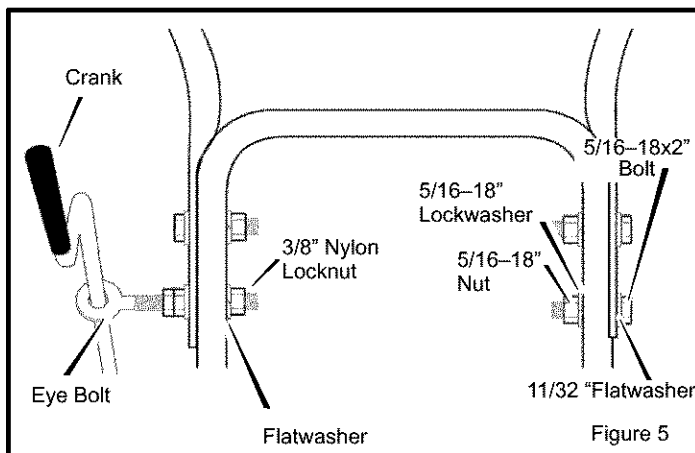


Figure 5

5. Locate crank assembly removed from carton earlier and remove the 3/8" nylon locknut and flatwasher from the eye bolt assembly.
6. Install the eye bolt through the lower hole on the left hand side of the handle. (See Figure 4).
7. Install the eye bolt through the lower hole on the left hand side of the handle. (See Figure 5).
8. Install the 3/8" flatwasher and the 3/8" nylon locknut.
9. Carefully remove cotter pin, clevis pin, and universal joint pin from yoke end of crank rod assembly. (Figure 6)
10. Place universal joint into end of worm gear lining up large holes. Insert the universal joint pin. Make sure the opening in pin is in line with small openings in universal joint.
11. Place yoke end of crank rod around universal joint lining up openings. Insert clevis pin through assembly and secure with cotter pin. Spread ends of cotter pin to lock in place.
12. Tighten nut on eye bolt, keeping eye in line with the rod while tightening the inside securely.
13. Tighten all handle bolts.

NOTE: Make sure crank does not touch carburetor cover.

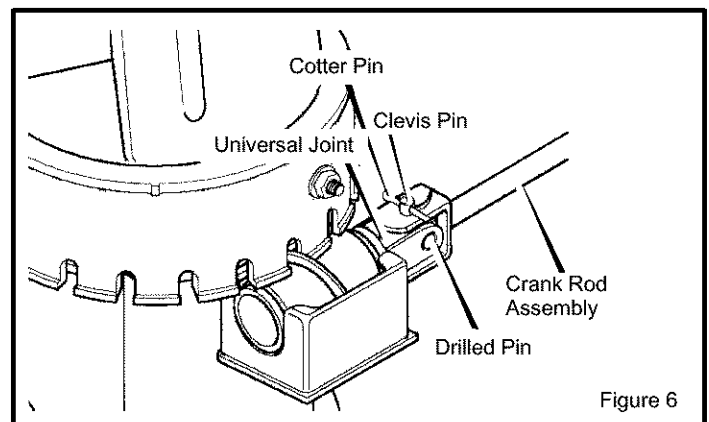


Figure 6

CONNECT CONTROL CABLE SPRINGS

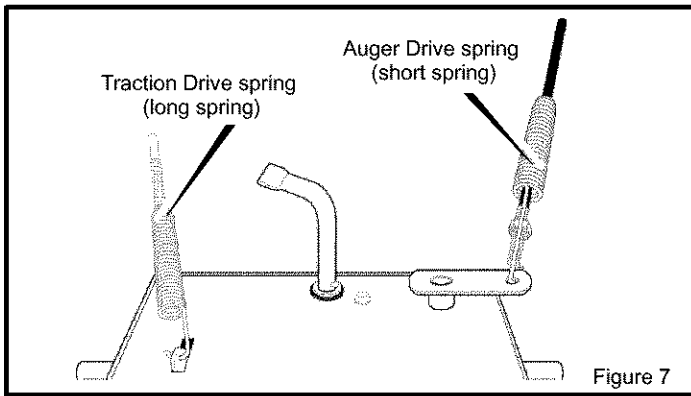
1. If control cable springs have become unattached from motor mount frame, reconnect cables as shown in Figure 7.
2. For cable adjustments, see "Cable Adjustment" in the ADJUSTMENT/REPAIR section.

F-001145J

HOW TO SET THE LENGTH OF THE CABLES

The cables were adjusted at the factory and no adjustments should be necessary. However, after the handles are put in the operating position, the cables can be too tight or too loose. If an adjustment is necessary, see "How To Check And Adjust The Cables" in the Service And Adjustment section.

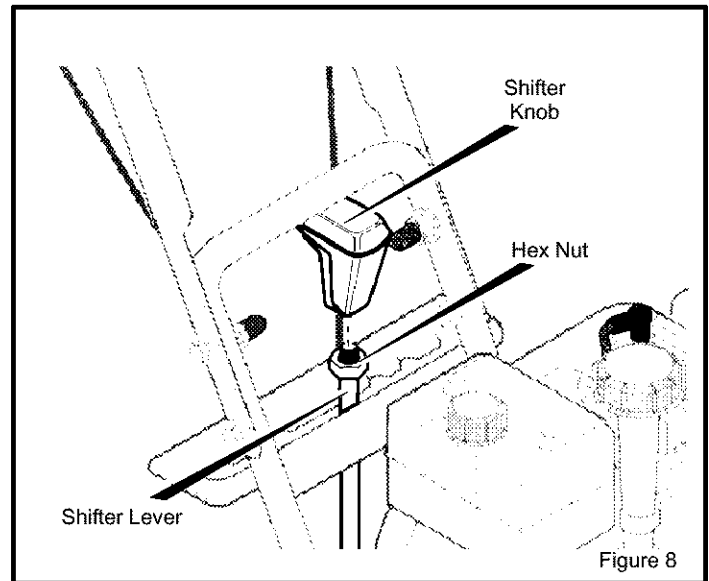
ASSEMBLY



SHIFTER LEVER KNOB ASSEMBLY

1. Thread the hex nut found in the parts bag onto shifter lever. (See Figure 8)
2. Thread the shifter lever knob onto the threaded end of the shifter lever until it is snug against the hex nut and the lip is pointed away from the engine.

3. Tighten hex nut against the bottom of the shifter lever knob.



NOTE: This snow blower was shipped WITH OIL in the engine. See "Before Starting Engine" instructions in the Operation section of this manual before starting engine.

OPERATION

Get to know your snow blower and its controls. Be sure you (or any other operator) have read and understood the Operation Precautions listed on page 2 of this manual.

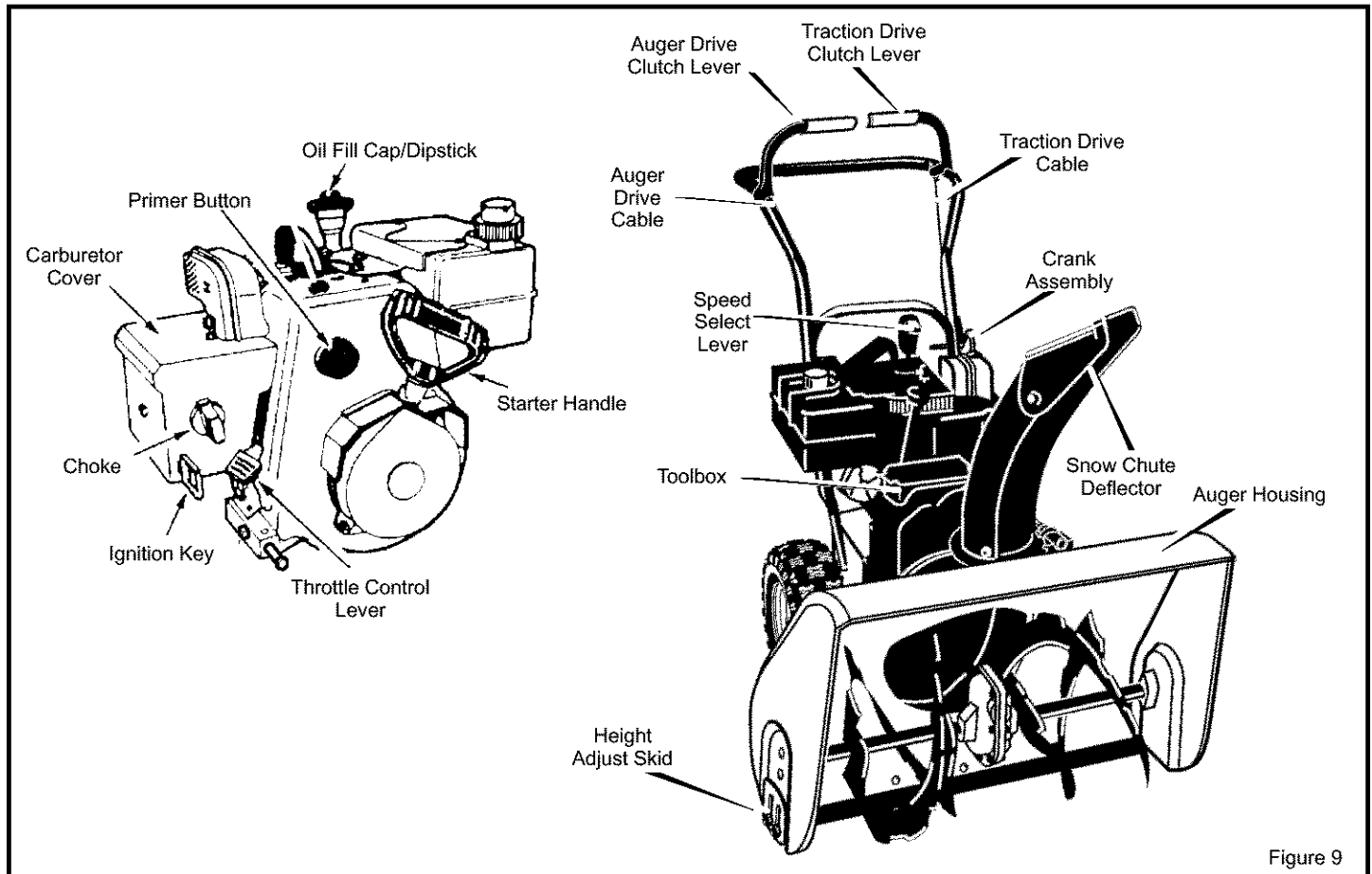


Figure 9

ENGINE AND SNOW BLOWER OPERATING CONTROLS

The engine operating controls and their functions are as follows:

Throttle Control Lever – This snow blower is equipped with an engine mounted throttle control lever used to start a cold engine.

Choke Lever– Set choke lever to ON CHOKE position to start a cold engine.

Prime Button– Used to inject fuel directly into carburetor manifold to insure fast starts in cool weather.

Ignition Key– Must be inserted into ignition key slot to start engine. Pull out to stop. Do not turn ignition key.

Starter Handle– Starts the engine manually.

The snow blower operating controls and their functions are as follows:

Speed Select Lever– Allows the operator to use one of six (6) forward and two (2) reverse speeds. To shift, move speed select lever to desired position.

NOTE: Do not move speed select lever while Traction Drive Clutch is engaged. This may result in severe damage to drive system.

Auger Drive Clutch Lever– Used to engage and disengage the auger and impeller. To engage push down, to disengage release.

Traction Drive Clutch Lever– Used to propel snow blower forward or reverse. Push down to engage, release to disengage.

Snow Chute Deflector– Changes the direction the snow is blown.

Crank– Used to change direction of the snow discharge. Turn handle clockwise to turn chute to right. Turn handle counter clockwise to turn chute to left.

Height Adjust Skid– Used to adjust ground clearance of auger housing (see To Adjust Skid Height in the Adjustment/Repair section of this manual).

Toolbox – Spare shear pins and spacers are located in toolbox.

OPERATION



The operation of any snow blower can result in foreign objects being thrown into the eyes, which can result in severe eye damage. Always wear safety glasses or eye shields before beginning snow blower operation. We recommend standard safety glasses or Wide Vision Safety Mask for over spectacles.

SNOW BLOWER OPERATION

The most effective use of the snow blower will be established by experience, taking into consideration the terrain, wind conditions and building location which will determine the direction of the discharge chute.

NOTE: Do not blow snow towards a building as hidden objects could be blown with sufficient force to cause damage.

1. Start the engine as described in section "To Start Engine" (see Figure 12).
2. Adjust snow chute deflector. Loosen wing nut on the side of the snow chute and raise chute deflector for more distance. Tighten wing nut. (see Figure 11).
3. Using crank, position the discharge chute to discharge snow with the wind.
4. Select proper speed for snow conditions as outlined below and set speed select lever to desired position.

NOTE: Always release traction drive clutch lever before moving speed select lever.

Ground speed is determined by snow conditions. Select the speed you desire by moving the speed selector into the appropriate colored area on the control panel.

Red	Wet, Heavy, Slushy, Extra Deep
Amber	Moderate
White	Very Light
Green	Transport Only

NOTE: When clearing wet, heavy snow, it is recommended that the ground speed of the unit be reduced, maintain full throttle and do not attempt to clear the full width of the unit.

For additional operating instructions see "Operating Tips" in this section of the manual.

5. Engage auger drive clutch lever (right hand—Figure 12).
IMPORTANT: Be sure front of unit is clear of bystanders or obstacles before operating.
6. Engage traction drive clutch lever (left hand—Figure 12). As the snow blower starts to move, maintain a firm hold on the handles and guide the snow blower along the cutting path. Do not attempt to push the snow blower.



WARNING: Read Owner's Manual before operating machine. This machine can be dangerous if used carelessly.

Never operate the snow blower without all guards, covers, and shields in place.

Never direct discharge towards windows or allow bystanders near machine while engine is running.

Stop the engine whenever leaving the operating position.

Disconnect spark plug before unclogging the impeller housing or the discharge chute and before making repairs or adjustments.

When leaving the machine, remove the ignition key.

To reduce the risk of fire, keep the machine clean and free from spilled gas, oil and debris.

ENGINE WILL NOT START UNLESS IGNITION KEY IS INSERTED INTO IGNITION SLOT IN CARBURETOR COVER. DO NOT TURN IGNITION KEY.

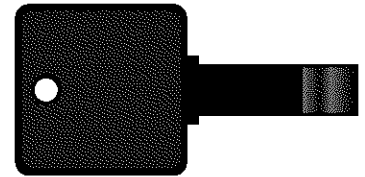


Figure 10

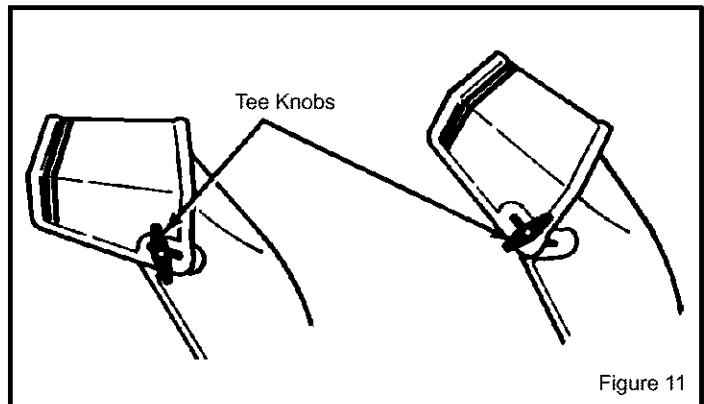


Figure 11

OPERATION

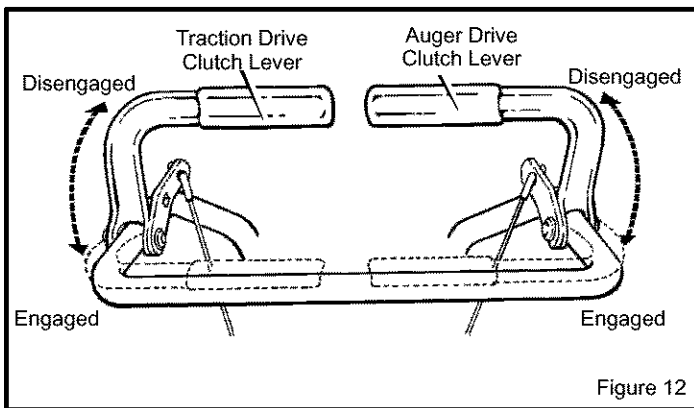


Figure 12

7. To stop forward motion, release traction drive clutch lever (left hand – Figure 12).
8. To stop auger, release auger drive clutch lever (right hand – Figure 12).
9. To move the snow blower backwards, move speed select lever into first or second reverse and engage traction drive clutch lever (left hand). To stop, release traction drive clutch lever.

WARNING: Never run engine indoors or in an enclosed, poor ventilated area. Engine exhaust contains **CARBON MONOXIDE**, an **ORDERLESS** and **DEADLY GAS**.

Keep hands, feet, hair and loose clothing away from any moving parts on engine and snow blower.

Temperature of muffler and nearby areas can exceed 150° F (66° C). Avoid these areas.

DO NOT allow children or young teenagers to operate or be near snow blower while it is operating.

WHEEL LOCK OUT PIN

1. The left hand wheel is secured to the axle with a klik pin. This unit was shipped with this klik pin in the locked position. (Figure 13).
2. For ease of maneuverability when lighter conditions prevail, remove klik pin from wheel locked position and insert into single wheel drive (unlocked) position (Figure 14). Make sure that the klik pin is in the single wheel drive position of the axle only and not through the locked position.

NOTE: Check tire pressure (24 pounds). See side of tire for maximum inflation. Do not exceed listed maximum pressure.

WARNING: Do not attempt to remove any item that may become lodged in auger without taking the following precautions:

- Release auger and drive clutch levers.
- Move throttle lever to STOP position.
- Remove the ignition key.
- Disconnect the spark plug wire.
- Do not put your hands in the auger or discharge chute. Use a pry bar.

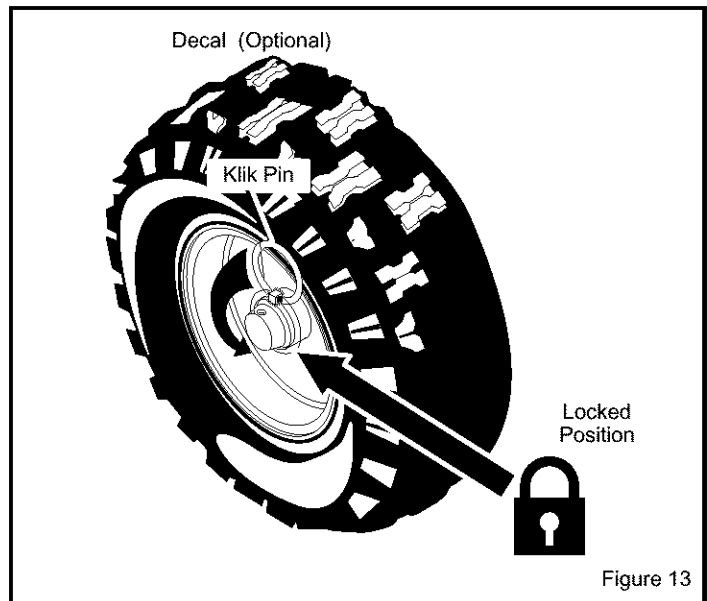


Figure 13

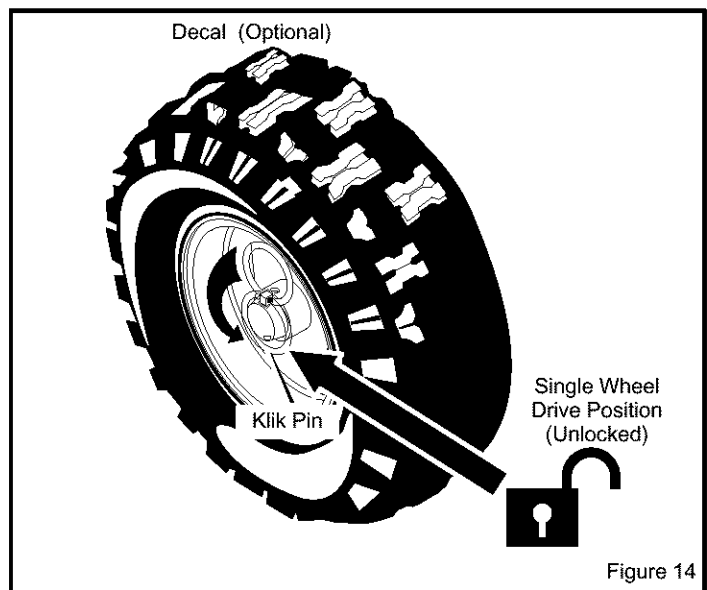


Figure 14

OPERATION

BEFORE STARTING ENGINE

Check the oil

NOTE: The engine was shipped from the factory filled with oil. Check the level of the oil. Add oil as needed.

1. Make sure the unit is level.
2. Remove the oil fill cap/dipstick. Check the oil.

NOTE: Do not check the level of the oil while the engine runs.

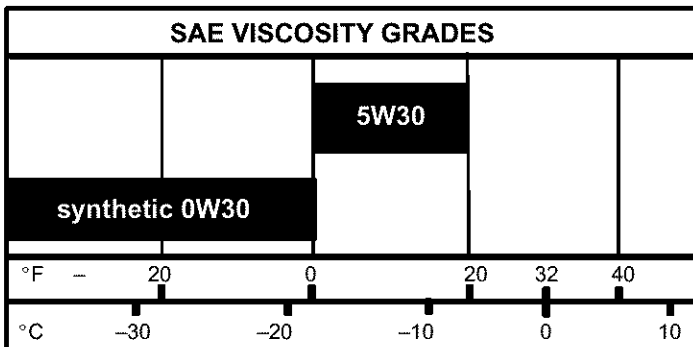
3. If necessary, add oil until the oil reaches the FULL mark on the oil fill/cap dipstick (see Figure 15). Do not add too much oil.

NOTE: For extreme cold operating conditions of 0°F (-18°C) and below, use a synthetic 0W30 motor oil for easier starting.

NOTE: S.A.E. 5W30 motor oil may be used to make starting easier in areas where the temperature is 20°F (-7°C) to 0°F (-18°C).

NOTE: SEE CHART FOR OIL RECOMMENDATION

TEMPERATURE	TYPE OF OIL
20° F. to 0° F. (-7° C) to (-18° C)	S.A.E. 5W30
0° F. (-18° C) and below	synthetic 0 W30



FILL GAS

1. Fill the fuel tank with a fresh, clean, unleaded regular, unleaded premium, or reformulated automotive gasoline only. **DO NOT** use leaded gasoline.

NOTE: Winter grade gasoline has higher volatility to improve starting. Be certain container is clean and free from rust or other foreign particles. Never use gasoline that may be stale from long periods of storage in the container.

CAUTION: DO NOT use gasoline containing any amount of alcohol as it can cause serious damage to the engine or significantly reduce the performance.

2. Check to make sure that spark plug is tightened securely into engine and spark plug wire is attached to spark plug. If torque wrench is available, torque plug to 18–23 ft-lbs.



WARNING: Gasoline is flammable. Always use caution when handling or storing gasoline. Do not add gasoline to the fuel tank while snow blower is running, hot, or when snow blower is in an enclosed area. Keep away from open flame, electrical sparks and **DO NOT SMOKE** while filling the fuel tank. Never fill the fuel tank completely; but fill the fuel tank to within 1/4–1/2 inch (6.5–12.5 mm) from the top to provide space for the expansion of the fuel. Always fill fuel tank outdoors and use a funnel or spout to prevent spilling. Make sure to wipe up any spilled fuel before starting the engine.

Store gasoline in a clean, approved container, and keep the cap in place on the container. Keep gasoline in a cool well ventilated place; never in the house. Never buy more than a 30 day supply of gasoline to assure volatility. Gasoline is intended to be used as a fuel for internal combustion engines; therefore, do not use gasoline for any other purpose. Since many children like the smell of gasoline, keep it out of their reach because the fumes are dangerous to inhale, as well as being explosive.

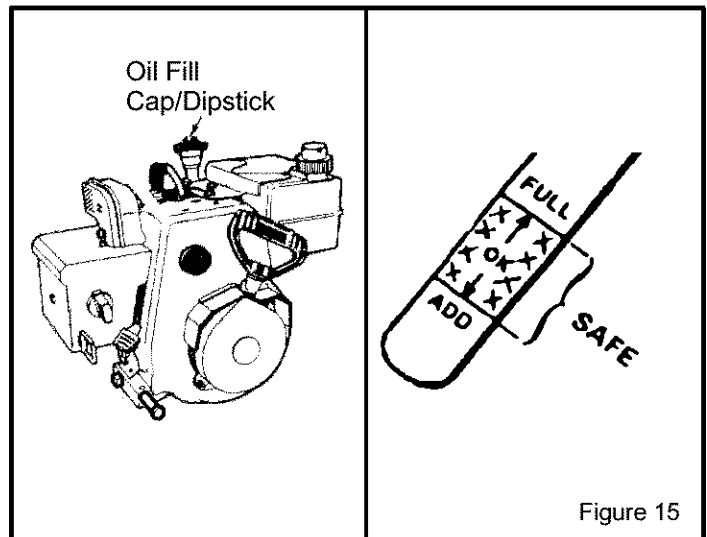


Figure 15

BEFORE STOPPING THE ENGINE

Run the engine for a few minutes to help dry off any moisture on the engine.

To help avoid possible freeze-up of the starter, proceed as follows:

Recoil Starter

With the engine running, pull the starter rope with a rapid continuous full arm stroke three or four times.

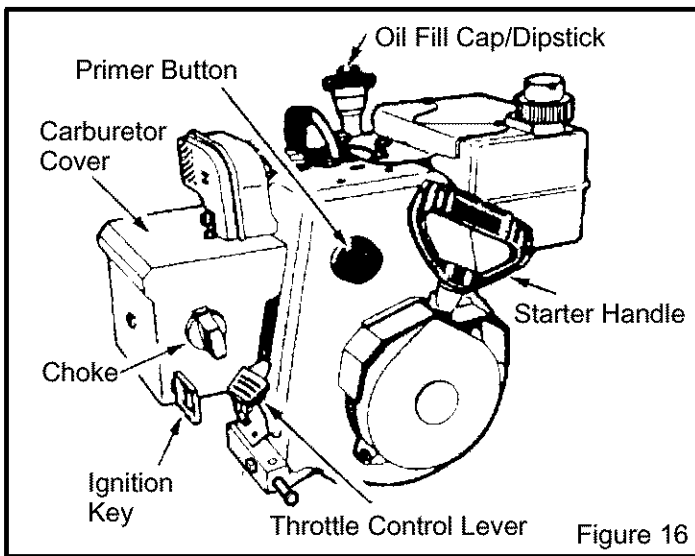
NOTE: The normal sound made by pulling the starter rope will not harm the engine or the starter.

TO START ENGINE

Be sure that engine has sufficient oil.

The snow blower engine is equipped with a recoil starter.

OPERATION



COLD ENGINE START (RECOIL STARTER) (SEE FIGURE 16)

(Engine has not been run recently.)

1. Be sure auger drive clutch lever and traction drive clutch lever are in the disengaged (RELEASED) position.
2. IN TEMPERATURES ABOVE 0°F (-18°C)
Move throttle control to "FAST" position.
IN TEMPERATURES BELOW 0°F (-18°C)
Move throttle control to "1/2 THROTTLE" position. Before engaging auger drive clutch lever allow engine to idle for five minutes to allow engine oil to warm. Failure to allow engine oil to warm can cause damage to engine.

3. Insert key into ignition slot. Make sure it snaps into place (Figure 16). Do not turn key.
4. Rotate choke knob to the on position.
5. Push the primer button as follows:
Above 50° F (10° C), DO NOT PRIME.
From 50° F (10° C) to 15°F (-10° C), PUSH TWO TIMES.
Below 15° F (-10° C), PUSH FOUR TIMES.

NOTE: Cover the vent hole when as you push the primer. Remove your finger from the primer vent hole between pushes.

6. Pull starter handle (Figure 16) rapidly, and allow to re-wind slowly while maintaining firm grip on handle.
7. As engine warms up move choke lever to "1/2 choke" position. When engine does not run smoothly, move choke lever to the off position.

NOTE: Allow the engine to warm up for several minutes before blowing snow in temperatures below 0°F (-18° C).

8. Run engine at or near top speed.

9. To stop engine, move throttle control lever to stop position. Remove key. Do not turn key.

WARM ENGINE START (RECOIL STARTER)

(Engine still warm from recent running.)

1. Be sure auger drive clutch lever and traction drive clutch lever are in the disengaged (RELEASED) position.
2. IN TEMPERATURES ABOVE 0°F (-18°C)
Move throttle control to "FAST" position.
IN TEMPERATURES BELOW 0°F (-18°C)
Move throttle control to "1/2 THROTTLE" position. Allow engine to idle at "1/2 Throttle" for five minutes to allow engine oil to warm before engaging auger drive clutch lever. Failure to allow engine oil to warm can cause damage to engine.
3. Insert key into ignition slot. Make sure it snaps into place (Figure 16). Do not turn key.
4. CHOKE KNOB must be in the off position. Do not use primer button.
5. Pull starter handle (Figure 16) rapidly, and allow to re-wind slowly while maintaining firm grip on handle.
6. If engine fails to start after a reasonable number of starting attempts, rotate choke knob to the on position and repeat instruction number 5.
7. As engine warms up, move the choke lever to the "1/2 choke" position. When engine does not run smoothly, move choke lever to the off position.

NOTE: Allow the engine to warm up for several minutes before blowing snow in temperatures below 0°F (-18° C).

8. Run engine at or near top speed.
9. To stop engine, move throttle control lever to stop position. Remove ignition key. Do not turn the ignition key.

To help prevent possible freeze-up of recoil starter and engine controls, proceed as follows after each snow removal job.

1. With engine running, pull starter rope hard with a continuous full arm stroke three or four times. Pulling of starter rope will produce a loud clattering sound. This is not harmful to the engine or starter.
2. With engine not running, wipe all snow and moisture from carburetor cover in area of control levers. Also move control levers backward and forward several times.

IMPORTANT: After each use of the snow blower, stop the engine, remove the ignition key, remove all accumulated snow from the snow blower and wipe clean. Store the snow blower in a protected area.

NOTE: Never cover snow blower while engine and exhaust area are still warm.

OPERATION

OPERATING TIPS

1. For optimum snow blower efficiency, adjust ground speed, not the throttle. **REMEMBER** – if the wheels slip, forward speed will be reduced. The engine is designed to deliver optimum performance at full throttle and must be run at this power setting at all times.
2. Most efficient snowblowing is accomplished when snow is removed immediately after it falls.
3. For complete snow removal, slightly overlap each swath previously taken.
4. Snow should be discharged downwind whenever possible.
5. For normal usage, set the skids one–eighth inch (3 mm) below the scraper bar. For extremely hard–packed snow surfaces, the skids may be adjusted upward to insure cleaning efficiency.
6. On gravel or crushed rock surfaces, the skids should be set at 1–1/4 inch (32 mm) below the scraper bar (see To Adjust Skid Height, in the Adjustment/Repair section in this manual). Rocks and gravel must not be picked up and thrown by the machine.
7. After the snowblowing job has been completed, allow the engine to idle for a few minutes, to melt snow and ice accumulated on the engine.
8. Remove ice and snow accumulation from the entire snow blower to prevent obstructions and possible damage when snow blower is subsequently operated.
9. Before starting snow blower, always inspect augers and impeller for ice accumulation and/or debris, which could result in snow blower damage.
10. Check oil level before every start. fill to “SAFE” indication prior to operating snow blower.

To help avoid possible freeze–up of starter, proceed as follows:

Recoil Starter:

With engine running, pull starter rope with a rapid continuous full arm stroke three (3) or four (4) times.

NOTE: The unusual sound made by pulling starter rope will not harm the engine or the starter.

SERVICE RECOMMENDATIONS

SERVICE RECOMMENDATIONS									
PROCEDURE		FIRST 2 HOUR	BEFORE EACH USE	OFTEN	EVERY 5 HOURS	EVERY 10 HOURS	EVERY 25 HOURS	BEGINNING EACH SEASON	BEFORE STORAGE
S N O W B L O W E R	Tighten all screws and nuts	√		√				√	
	Check Traction Clutch Cable Adjustment (See Cable Adjustment)	√						√	
	Check Auger clutch Cable Adjustment (See Cable Adjustment)	√						√	
	Lubricate Chains and Hex Shaft							√	√
E N G I N E	Oil, Check		√		√			√	
	Oil, Change	√					√	√	

The warranty on this snow blower does not cover items that have been subjected to operator abuse or negligence. To receive full value from the warranty, operator must maintain snow blower as instructed in this manual. The following **Service Recommendations** is supplied to assist operator to properly maintain snow blower. This is a check list only. Adjustment referred to will be found in Adjustments/Repairs section of this manual.

AFTER EACH USE

1. Check for any loose or damaged parts.
2. Tighten any loose fasteners.
3. Check and maintain the auger.
4. After each use, remove all snow and slush off the snow blower to prevent freezing of auger or controls.
5. Check controls to make sure they are functioning properly.
6. If any parts are worn or damaged, replace immediately.

CUSTOMER RESPONSIBILITIES

Some adjustments will need to be made periodically to properly maintain your snow blower.

All adjustments in ADJUSTMENTS/REPAIRS section of this manual should be checked at least once each season.

SNOW BLOWER

Auger and Traction Drive Belts should be adjusted after the first 2 to 4 hours of use, again about mid-season and twice each season thereafter (See To Adjust Belts paragraph in the Adjustment/Repair section).

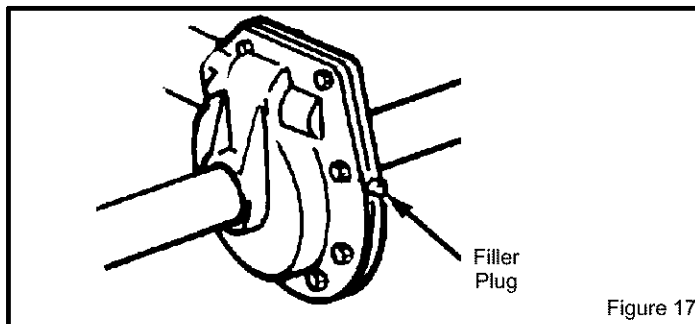
AS REQUIRED

Auger Gear Box

The auger gear box is lubricated at the factory and should not require additional lubrication.

If for some reason the lubricant should leak out, or if the auger gear box has been serviced, add Lubriplate GR132 Grease or equivalent. Maximum 3-1/4 ounces, (92 grams) should be used.

Remove filler plug (Figure 17), once a year. If grease is visible, do not add. If grease is not visible, use a piece of fine wire, like a dipstick to check if there is grease in the gear box. Mobilux EP1 and Shell Aldania EP1 are suitable equivalents.



LUBRICATION AT STORAGE

Bearings and bushings

All bearings and bushings are lifetime lubricated and require no maintenance.

Hex shaft and chains

For storage hex shaft should be wiped with a cloth lightly moistened with motor oil to prevent rusting (see Figure 19).

For storage chains should be lubricated with a chain type lube. (see Figure 19).

NOTE: Any greasing or oiling of the above mentioned components can cause contamination of the rubber friction wheel. If the disc drive plate or friction wheel come in contact with grease or oil damage to rubber friction wheel will result .

Should grease or oil come in contact with the disc drive plate or friction wheel be sure to clean plate and wheel thoroughly with a alcohol base solvent.

CUSTOMER RESPONSIBILITIES

LUBRICATION – EVERY 25 HOURS

Disc Drive Plate

Lubricate Disc Drive Plate every twenty-five (25) hours and at the end of the season and/or before storage.

To Lubricate:

1. Position speed selector lever in first (1) forward gear.
2. Stand the snow blower up on the auger housing end.
NOTE: When the crank case is filled with oil, do not leave the snow blower standing up on the auger housing for an extended period of time.
3. Remove the bottom panel.
4. Turn disc drive plate clockwise by hand until grease zerk is clearly visible at front center (see Figure 18).
5. Place a coin or **(a shim of equal thickness)** between the rubber friction wheel and disc drive plate to prevent rubber friction wheel contacting the drive disc (see Figure 18).
6. To grease zerk, use a hand grease gun, lubricate with a Hi Temp EP Moly grease. See inset of Figure 18. **DO NOT** over fill or allow grease to come in contact with the disc drive plate or friction wheel or damage will result. Fill zerk only until grease becomes visible below bearing assembly located under grease zerk.
7. Remove coin used in step 5. Make sure that a gap exists between the friction wheel and the disc drive plate.

NOTE: Clean all excess grease or oil found on the friction disc hub.

CAUTION: Do not allow grease or oil to contact the rubber friction wheel or the disc drive plate.

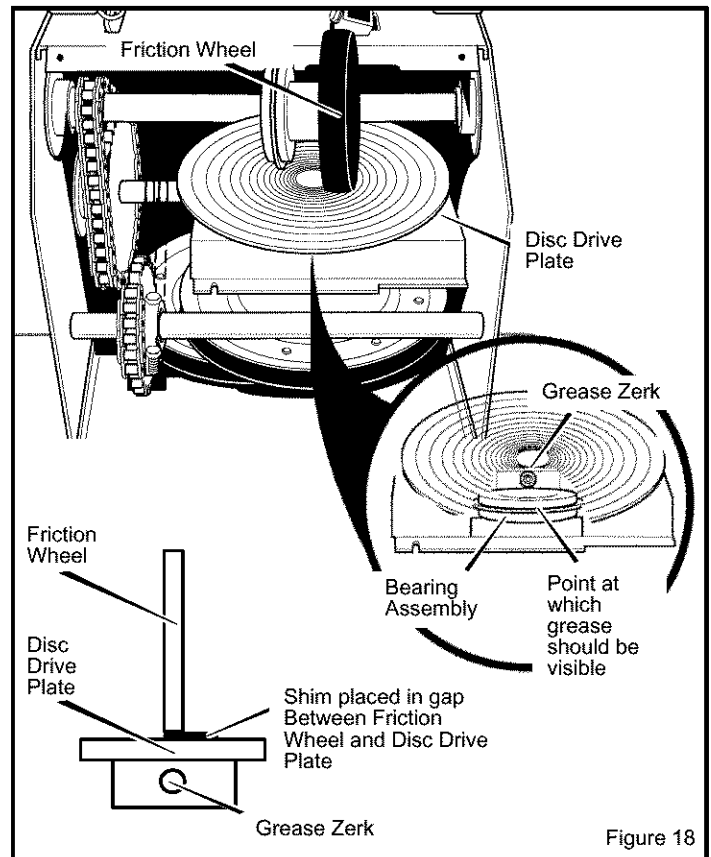


Figure 18

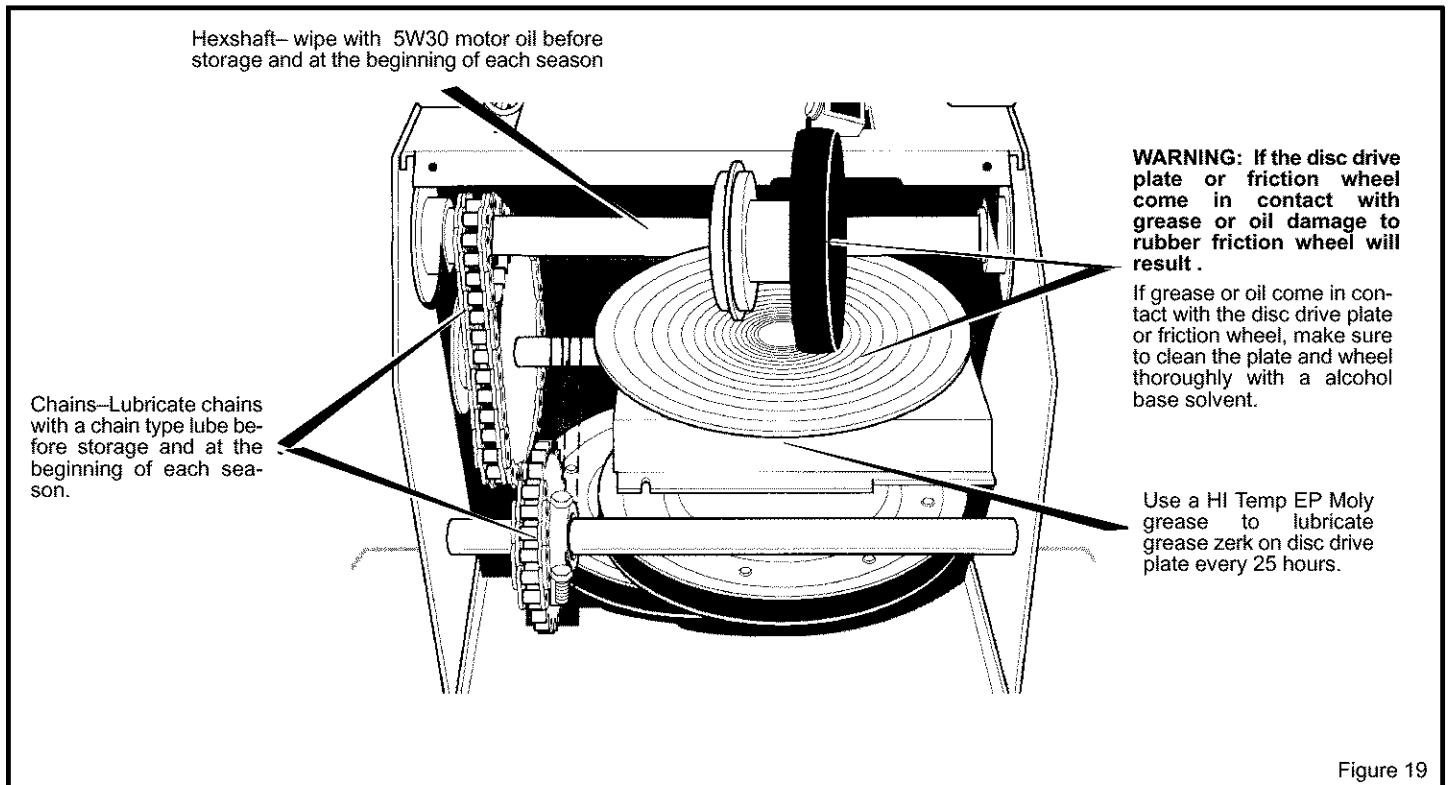


Figure 19

CUSTOMER RESPONSIBILITIES

ENGINE

Check Crankcase Oil Level before starting engine and after each 5 hours of continuous use (see Figure 20). Add proper motor oil as required.

NOTE: Overfilling the engine can affect performance. Tighten the oil fill cap securely to prevent leakage.

Change Oil every 25 hours of operation or at least once a year, even if the snow blower is not used for twenty-five hours. Use a clean, high quality detergent oil. Fill the crank case to FULL line on dipstick (see Figure 20). Be sure original container is marked: A.P.I. service "SF" or higher. Do not use SAE10W40 oil (as it may not provide proper lubrication). See Chart for oil recommendations.

To Drain Oil – Position snow blower so that the oil drain plug is lowest point on engine. Remove oil drain plug and oil fill cap and drain oil into a suitable container (Figure 21).

NOTE: Oil will drain more freely when warm.

Replace oil drain plug and tighten securely. Refill crank case with proper motor oil or as indicated in the preceding paragraphs of this section.

SAE VISCOSITY GRADES	
	5W30
synthetic 0W30	
°F	20 0 20 32 40
°C	-30 -20 -10 0 10

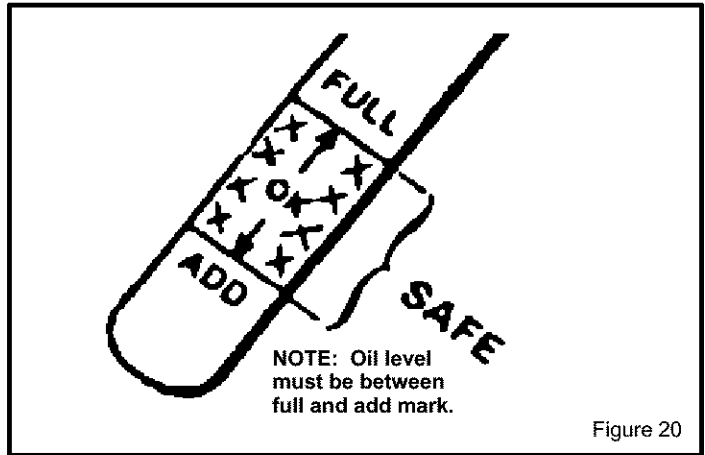


Figure 20

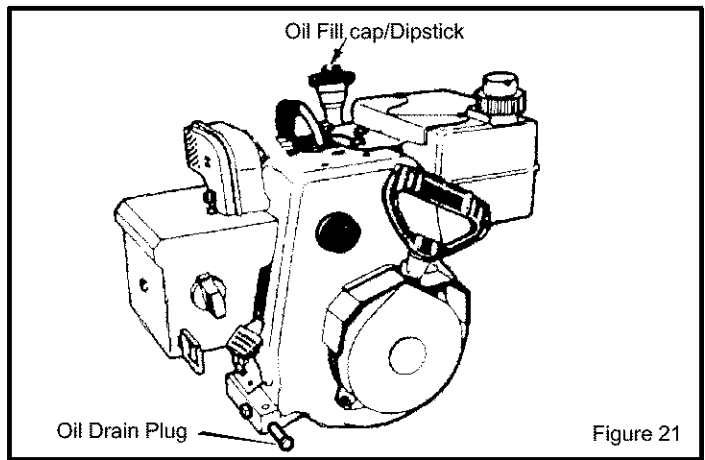


Figure 21

ADJUSTMENT/REPAIR



WARNING: Always turn unit off, remove ignition key and disconnect the spark plug wire before making any repairs or adjustments.

AUGER HOUSING HEIGHT ADJUSTMENT

TO ADJUST SCRAPER BAR

After considerable use, the metal scraper bar will have a definite wear pattern. The scraper bar in conjunction with the skids should always be adjusted to allow one-eighth of an inch (3 mm) between the scraper bar and the sidewalk or area to be cleaned.

To adjust the scraper bar, proceed as follows:

1. Position the snow blower on a level surface.
2. Loosen the carriage bolts and nuts securing the scraper bar to the auger housing.
3. Adjust the scraper bar to the proper position. Tighten the carriage bolts and nuts, insuring that the scraper bar is parallel with the working surface.
4. For extended operation, the scraper bar may be reversed. If the scraper bar must be replaced because of wear, remove the carriage bolts and nuts and install a new scraper bar.

TO ADJUST SKID HEIGHT

This snow blower is equipped with two height adjust skids, secured to the outside of the auger housing. These elevate the front of the snow blower.

When removing snow from a hard surface area such as a paved driveway or walk, adjust the skids up to bring the front of the snow blower down.

When removing snow from rock or uneven construction, raise the front of the snow blower by moving the skids down. This will help to prevent rocks and other debris from being picked up and thrown by the augers.

To adjust skids, proceed as follows:

1. Place a block (equal to height from ground desired) under scraper bar near but not under skid.
2. Loosen skid mounting nuts (Figure 22) and push the skid down until it touches the ground. Retighten mounting nuts.
3. Set skid on other side at same height.

NOTE: Make sure that snow blower is set at same height on both sides.



WARNING: Be certain to maintain proper ground clearance for your particular area to be cleared. Objects such as gravel, rocks or other debris, if struck by the impeller, may be thrown with sufficient force to cause personal injury, property damage or damage to the snow blower.

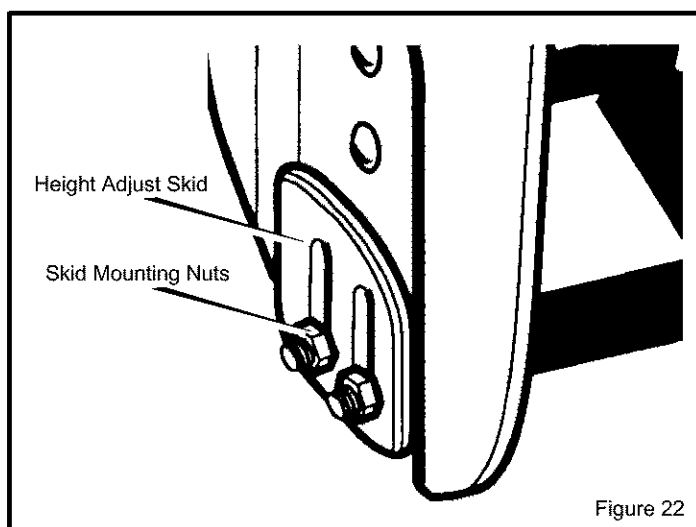


Figure 22

ADJUSTMENT/REPAIR

BELT ADJUSTMENT

Traction Drive Belt

Traction drive belt has constant spring pressure and does not require adjustment.

Replace the belt if it is slipping (See Belt Replacement in this section of the manual).

BELT REPLACEMENT

How To Remove The Auger Drive Belt (see Figure 23)

1. Disconnect spark plug wire.
2. Remove belt cover.
3. Loosen **belt guide** and pull away from **auger drive pulley** (see Figure 23).
4. Loosen the **nut** on the **auger idler pulley**. Pull the **auger idler pulley** away from the **auger drive belt**.
5. Remove belt from auger drive pulley.
6. Remove belt from impeller pulley.
7. Position new belt onto impeller pulley.
8. Position new belt onto auger drive pulley.
9. Adjust belt guides. (See "Belt Guide Adjustment").
10. Reinstall belt cover.
11. Reconnect spark plug wire.

How To Remove The Traction Drive Belt (see Figure 23)

Traction drive belt has constant spring pressure and does not require adjustment. If the snow thrower will not move forward, check the traction drive belt for wear or damage. If the traction drive belt is worn or damaged, replace the belt as follows.

1. Disconnect spark plug wire.
2. Remove the auger drive belt. See "How To Remove The Auger Drive Belt".
3. Pull traction drive belt idler pulley away from traction drive belt.
4. Remove traction drive belt.
5. Position new traction drive belt onto traction pulley.

Auger Drive Belt

If your snow blower will not discharge snow, check the control cable adjustment. If it is correct, then check the condition of the auger drive belt. If it is damaged or loose, replace it (see Belt Replacement in this section of the manual).

6. Pull idler pulley away from belt, allowing belt to be positioned onto auger pulley.
7. Release idler pulley. Ensure idler pulley is properly engaged with belt.
8. Reinstall auger drive belt.
9. Install and adjust the **auger drive belt**. See "How To Remove The Auger Drive Belt".
10. Adjust belt guide (see "Belt Guide Adjustment").
11. Reinstall belt cover.
12. Check the adjustment of the cables. See "How To Check And Adjust The Cables" in the Maintenance section.
13. Reconnect the spark plug wire.

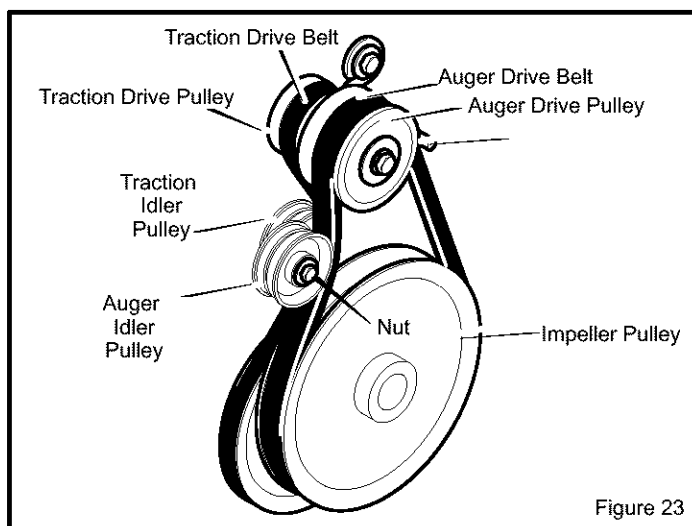
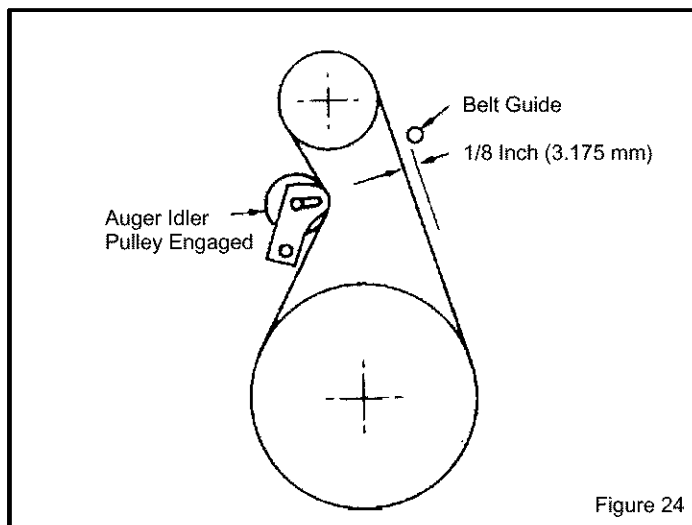


Figure 23

ADJUSTMENT/REPAIR

BELT GUIDE ADJUSTMENT

1. Remove spark plug wire.
2. Have someone engage auger drive.
3. Measure the distance between the belt guide and belt. The distance should be 1/8 inch (3.175 mm) for guide. See Figure 24.
4. If adjustment is necessary, loosen belt guide mounting bolt. Move belt guide to the correct position. Tighten mounting bolt.
5. Reinstall belt cover.
6. Reconnect spark plug wire.



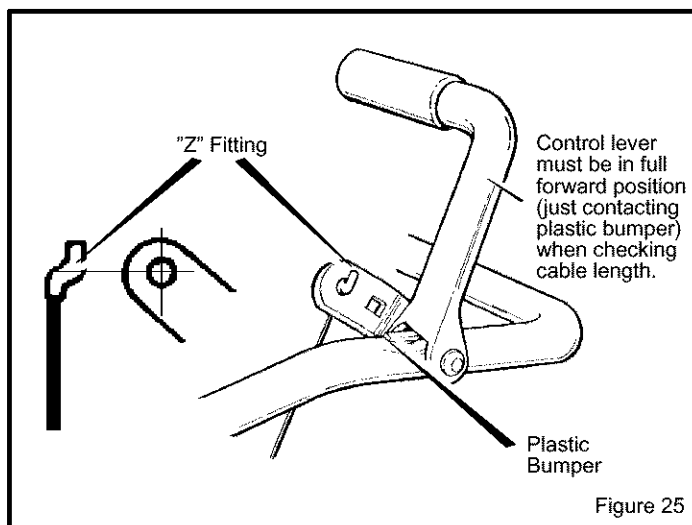
CABLE ADJUSTMENT – TRACTION DRIVE AND AUGER DRIVE

The cables are adjusted at the factory and no adjustment should be necessary. If the cables have become stretched or are sagging adjustment will be necessary.

Whenever belts are adjusted or replaced, the cables will need to be adjusted.

To check for correct adjustment, unhook "Z" fitting at clutch lever (see Figure 25).

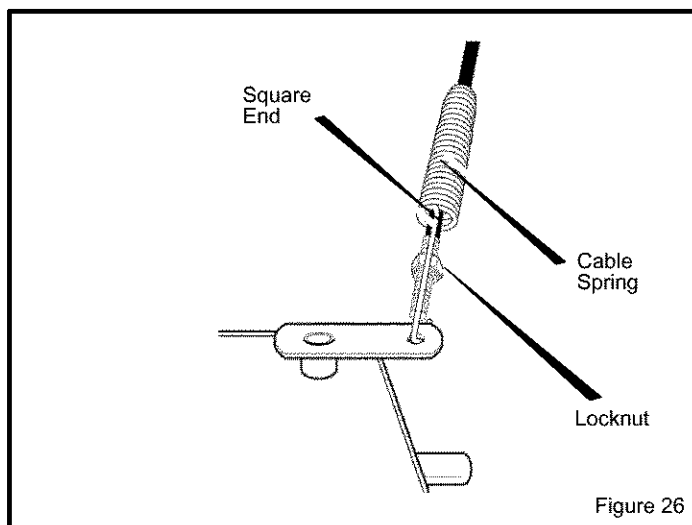
1. Move clutch lever to the full forward position (just contacting plastic bumper). Holding cable tight, note position of fitting to hole in clutch lever.
2. The center of the "Z" fitting should be between the centre and top of the hole in the clutch lever.



If Adjustment is Necessary (see Figure 26)

WARNING: Drain the gasoline outdoors, away from fire or flame.

1. Remove gas from gas tank.
2. Stand blower on end.
3. Push cable through spring to expose the threaded portion of the cable.
4. Hold square end of threaded portion with pliers and adjust locknut in or out until correct adjustment is reached. Pull cable back through spring and connect cable.



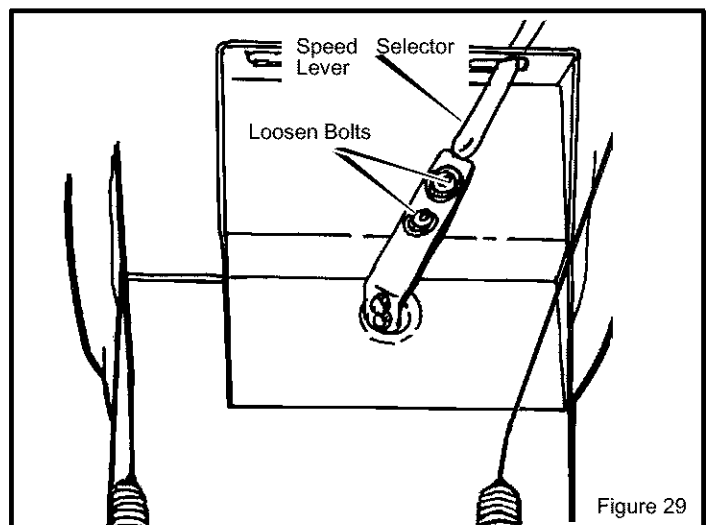
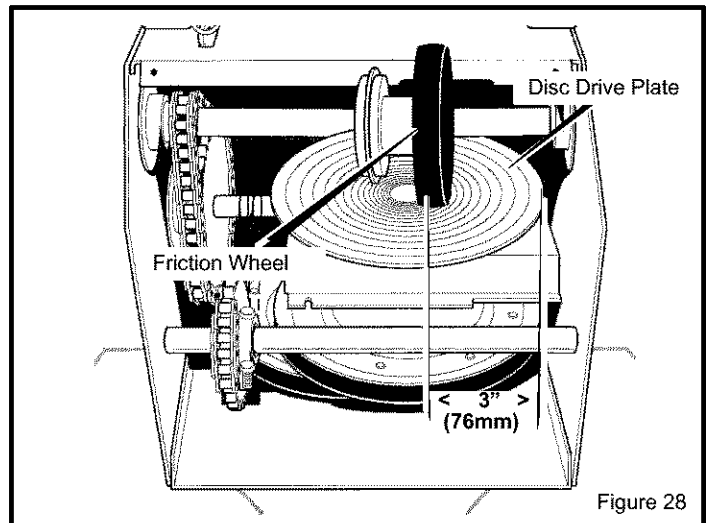
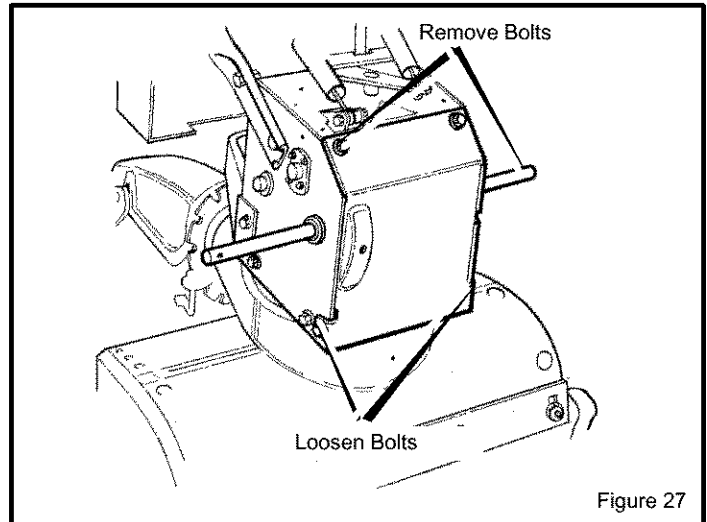
ADJUSTMENT/REPAIR

FRICION WHEEL ADJUSTMENT

1. Remove bottom panels (Figure 27).
2. Position gear select lever in 1st forward gear.
3. Note position of friction wheel on disc drive plate. Proper position from the right outer side of disc drive plate to the centre of friction wheel must be 3" (76 mm) (see Figure 28).

If adjustment is required, proceed as follows:

4. Loosen bolts in speed selector lever. (Figure 29).
5. Move friction wheel to proper position as indicated in step 3.
6. Replace bolts in speed selector lever.
7. Reinstall bottom panels.



ADJUSTMENT/REPAIR

FRICTION WHEEL REPLACEMENT

1. Remove gas from gas tank.
2. Disconnect spark plug wire.
3. Stand blower up on auger housing end. Remove bottom panel.
4. Remove bracket from speed control lever (see Figure 29).
5. Remove fasteners securing friction wheel to hub, and set fasteners aside (see Figure 30).
6. Remove four bolts securing bearing plates (both sides).
7. Remove right side bearing plate. Leave hex shaft in original position.
8. Remove friction wheel from hub. Slip friction wheel off hex shaft towards right side.
9. Position new friction wheel onto hub (see Figure 31). Install bearing plates to original position. Ensure hex shaft is engaged with both bearing plates.
10. Secure bearing plates using bolts removed earlier.
11. Secure friction wheel to hub using fasteners removed earlier. Ensure hex shaft turns freely.
12. Replace bracket to speed control lever.
13. Should friction wheel require adjustment see "Friction Wheel Adjustment".

NOTE: Make sure friction wheel and friction disc are free from grease or oil.

14. Reinstall bottom panel.

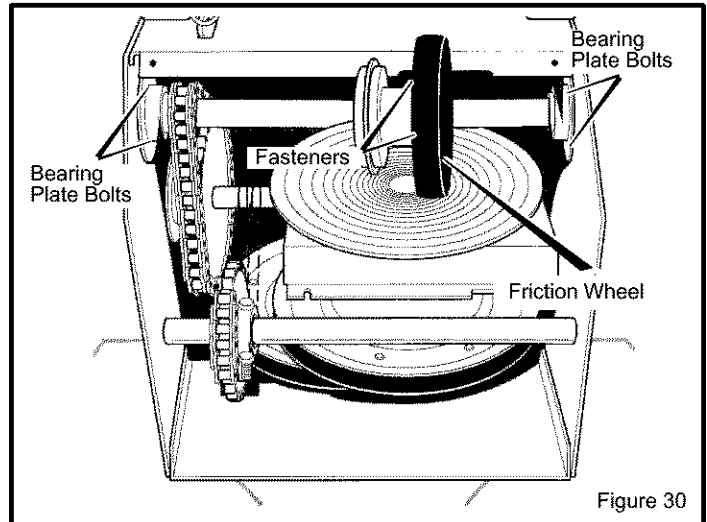


Figure 30

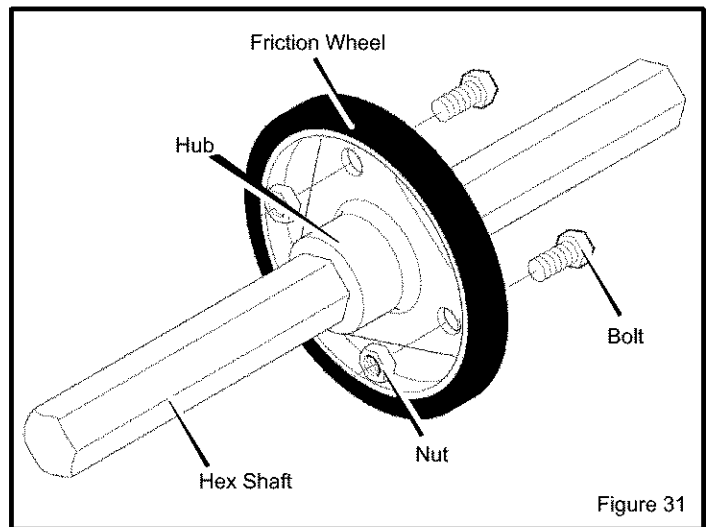


Figure 31

ADJUSTMENT/REPAIR

AUGER SHEAR BOLT REPLACEMENT

The augers are secured to the auger shaft with special bolts that are designed to break if an object becomes lodged in the auger housing. Use of a harder bolt will reduce the protection provided by the shear bolt. To replace a broken shear bolt, proceed as follows:



WARNING: To insure safety and performance levels, only original replacement shear bolts should be used.

1. Move throttle to STOP, disengage all controls, disconnect the spark plug lead wire, and insure all moving parts have stopped.
2. Align the hole in the auger with the hole in the auger shaft. Install new shear bolt, spacer and locknut provided. (See Figure 32)

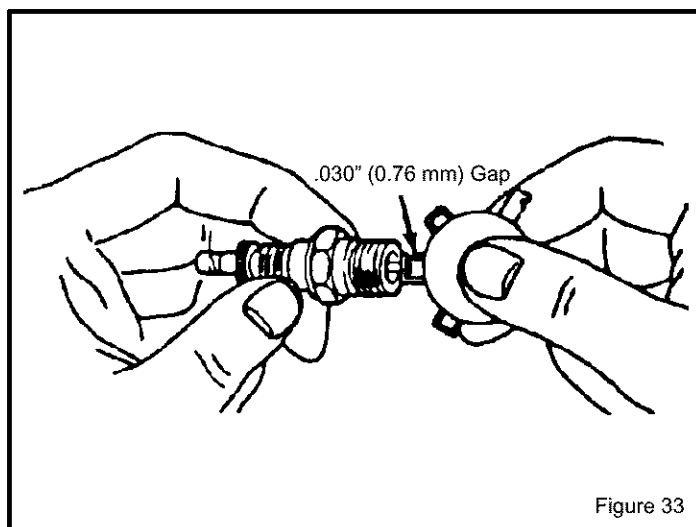
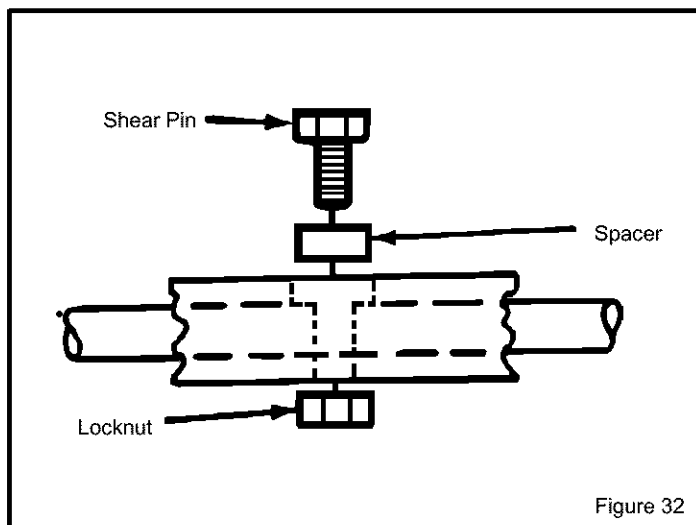
NOTE: The spacer fits into the larger hole in the auger tube.

SPARK PLUG ADJUSTMENT (SEE FIGURE 33)

NOTICE: This spark ignition system meets all requirements of the Canadian Interference-Causing Equipment Regulations.

1. Clean spark plug and reset gap periodically.
2. Clean area around spark plug base before removal, to prevent dirt from entering engine.
3. Replace spark plug if electrodes are pitted or burned or if porcelain is cracked.
4. Clean spark plug by carefully scraping electrodes (do not sandblast or use wire brush).
5. Be sure spark plug is clean and free of foreign material. Check electrodes gap with a wire feeler gauge and reset gap to 0.030" (0.76 mm) if necessary. If a new spark plug is needed, refer to Engine Repair Parts section of this manual for proper replacement spark plug.

6. Before installing spark plug, coat threads lightly with graphite grease to insure easy removal.
7. Tighten plug firmly into engine. If torque wrench is available, torque plug to 18–23 ft-lbs.



STORAGE

OFF SEASON STORAGE



WARNING: Never store engine with fuel in tank indoors or in enclosed, poorly ventilated enclosures, where fuel fumes may reach an open flame, spark or pilot light as on a furnace, water heater, clothes dryer, etc.

Handle gasoline carefully. It is highly flammable and careless use could result in serious fire damage to your person and /or property.

Drain fuel into approved containers outdoors, away from open flame.

If the snow blower is to be stored for thirty (30) days or more at the end of the snow season, the following steps are recommended to prepare your snow blower for storage.

NOTE: Gasoline must be removed or treated to prevent gum deposits from forming in the tank, filter, hose, and carburetor during storage.

1. To remove gasoline, run engine until tank is empty and engine stops. Then drain remaining gasoline from carburetor by pressing upward on bowl drain located on the bottom of carburetor (see Figure 34).



WARNING: Drain gasoline outdoors, away from fire or flame.

If you do not want to remove gasoline use the fuel stabilizer supplied with unit. Add fuel stabilizer to any gasoline left in the tank to minimize gum deposits and acids. If the tank is almost empty, mix stabilizer with fresh gasoline in a separate container and add some to the tank. ALWAYS FOLLOW INSTRUCTIONS ON STABILIZER CONTAINER. THEN RUN ENGINE AT LEAST 10 MINUTES AFTER STABILIZER IS ADDED TO ALLOW MIXTURE TO REACH CARBURETOR. STORE SNOW BLOWER IN SAFE PLACE.

2. You can help keep your engine in good operating condition by changing oil before storage.

3. Lubricating the piston/cylinder area. This can be done by first removing the spark plug and squirting clean engine oil into the spark plug hole. Then cover the spark plug hole with a rag to absorb oil spray. Next, rotate the engine by pulling the starter two or three times. Finally, reinstall spark plug and attach spark plug wire.
4. Thoroughly clean the snow blower.
5. Lubricate all lubrication points (see Lubrication, see Customer Responsibilities).
6. Insure that all nuts, bolts, and screws are securely fastened. Inspect all visible moving parts for damage, breakage, and wear. Replace if necessary.
7. Touch up all rusted or chipped paint surfaces; sand lightly before painting.
8. Cover the bare metal parts of the blower housing auger, and the impeller with rust preventative.
9. If possible, store your snow blower indoors and cover it to give protection from dust and dirt.
10. If the machine must be stored outdoors, block up the snow blower and insure the entire machine is off the ground. Cover the snow blower with a heavy tarpaulin.

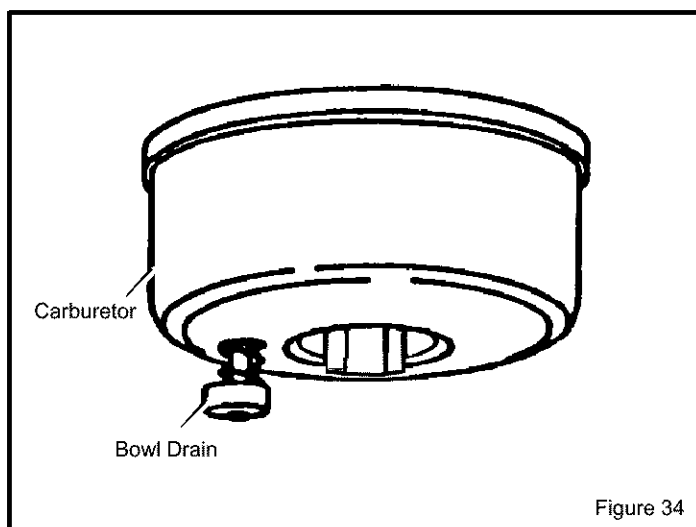


Figure 34

TROUBLE SHOOTING CHART

PROBLEM	LOOK FOR	REMEDY
Difficult starting	Defective spark plug.	Replace defective spark plug.
Engine runs erratically	Blocked fuel line.	Clean fuel line.
	Empty gas tank.	Check fuel supply,
	Stale gasoline.	Add fresh gasoline.
	Water or dirt in fuel system.	Remove carburetor bowl to drain fuel tank. Refill with fresh fuel. CAUTION: Do not remove carburetor bowl when the engine is hot.
Engine stalls	Unit running on CHOKE.	Set choke lever to RUN position.
Loss of power	Gas cap vent hole is plugged.	Remove ice and snow from cap. Be sure vent hole is clear.
Excessive vibration	Loose parts or damaged impeller.	Stop engine immediately and remove spark plug wire. Tighten all bolts and make all necessary repairs. If vibration continues, have the unit serviced by a competent repairman.
Unit fails to propel itself	Drive belt loose or damaged.	Replace drive belt. Refer to Drive Belt Replacement in Adjustments/Repairs section of this manual.
	Incorrect adjustment of traction drive cable.	Adjust traction drive cable. Refer to Cable Adjustment in Adjustments/Repairs section of this manual.
	Worn or damaged friction disc.	Replace friction disc. Refer to Friction Wheel Replacement in Adjustments/Repairs section of this manual.
Unit fails to discharge snow	Auger drive belt loose or damaged.	Replace or adjust auger drive belt. Refer to Drive Belt Replacement and Drive Belt Adjustment in Adjustments/Repairs section of this manual.
	Auger control cable not adjusted correctly.	Adjust auger control cable. Refer to Cable Adjustment in Adjustments/Repairs section of this manual.
	Broken shear bolt.	Replace shear bolt. Refer to Auger Shear Bolt Replacement in Adjustments/Repairs section of this manual.
	Discharge chute clogged.	Stop engine immediately and disconnect spark plug wire. Refer to the first Warning in Snow blower Operation in Operation section of this manual. Clean discharge chute and inside of auger housing.
	Foreign object lodged in auger.	Stop engine immediately and disconnect spark plug wire. Refer to the third Warning in Snow blower Operation in Operation section of this manual. Remove object from auger.

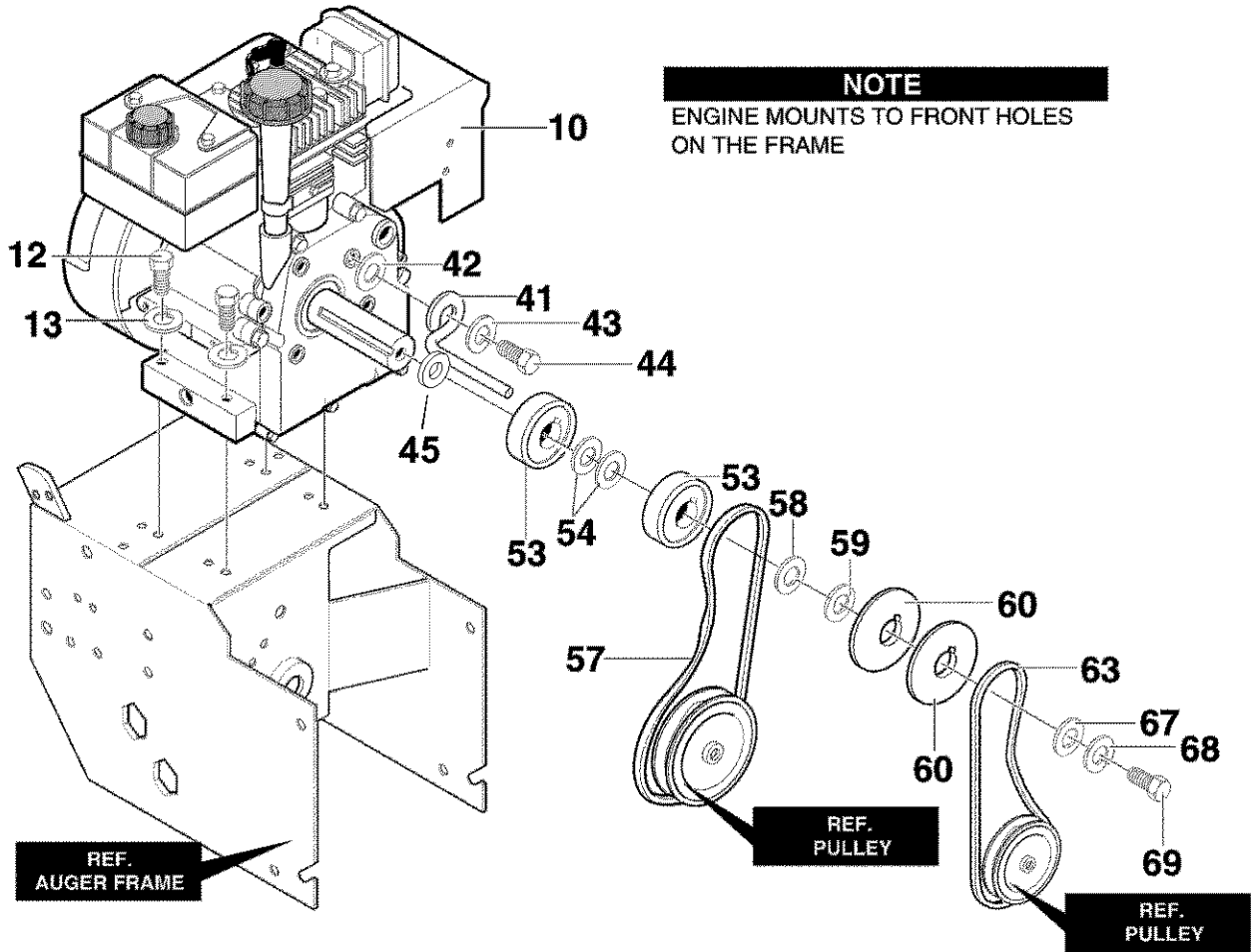
Identifying Your Snow blower

Your new Snow blower has two (2) identifying numbers: (1) unit model number: (2) unit serial number. The two preceding numbers are required to insure that the proper replacement parts are obtained when required. If you have any questions concerning parts, service, or technical data, contact your nearest Sears Service Department.

For complete warranty information refer to the warranty in the Owner's Information section of this manual.

CRAFTSMAN 22" SNOW BLOWER C950-52005-0
CRAFTSMAN 22" CHASSE-NEIGE C950-52005-0

REPAIR PARTS
PIÈCES DE RECHANGE
ENGINE / MOTEUR



NOTE
 ENGINE MOUNTS TO FRONT HOLES
 ON THE FRAME

326928

Key No.
N° sur le
schéma

Description

10	5HP (See Engine Manual)
12	SCREW, 5/16-18
13	WASHER, SPTLK .31X.58X.08
41	GUIDE, ROD BELT
42	PLASTIC WASHER
43	WASHER, SPTLK .31X.58X.08
44	SCREW, 5/16-24X 1.00
45	SPACER
53	PULLEY, HALF
54	WASHER, FLAT .752X.91X.02
57	BELT, V 3L 33.13LG
58	FLATWASHER .765X1.12X.06
59	SPACER, SLEEVE
60	PULLEY, ENGINE
63	BELT, V 4L35.6 LG
67	WASHER, FLAT .375X1.25X.104
68	WASHER,HVSPTLK .38ID
69	SCREW, 3/8-24X1.00
—	OWNER'S MANUAL

Description

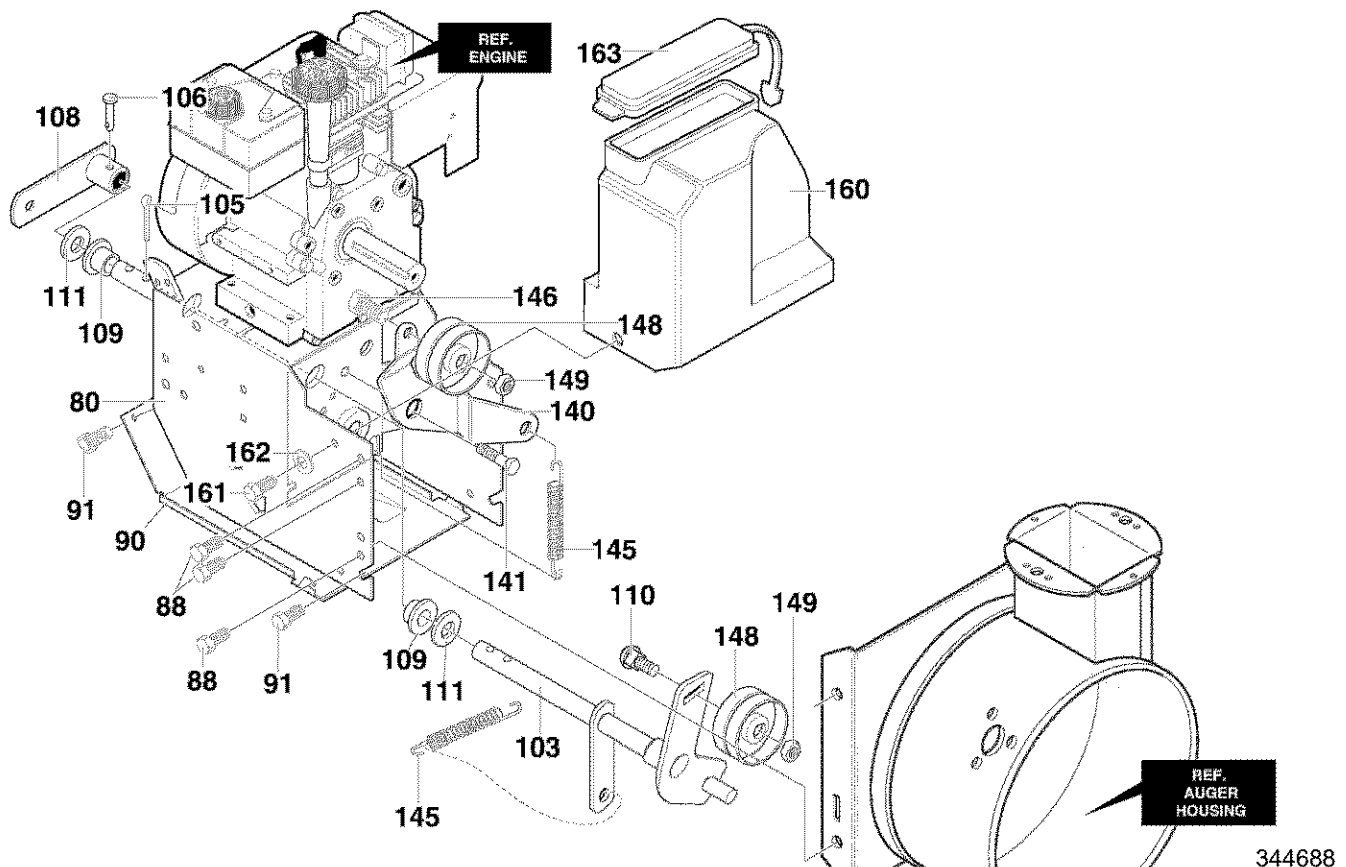
MOTEUR 5HP
VIS, 5/16-18
RONDELLE-FREIN
GUIDE DE COURROIE, DROITE
RONDELLE, PLASTIQUE
RONDELLE-FREIN
VIS, 5/16-24X 1,00
ENTRETOISE
POULIE
RONDELLE PLATE ,752X,91X,02
COURROIE, V 3L
RONDELLE PLATE ,765X1,12X,06
ENTRETOISE
POULIE, MOTEUR V4L
COURROIE, V 4L
RONDELLE PLATE ,375X1,25X,104
RONDELLE-FREIN
VIS, 3/8-24X1,00
MANUEL D'UTILISATION
28

Part No.
N° de pièce

ENGINE
710024
71060
3949
6711
71060
910828
762291
579854
579861
579932
712120
586251
586253
581264
50677
71063
71015
F-001145J

CRAFTSMAN 22" SNOW BLOWER C950-52005-0
CRAFTSMAN 22" CHASSE-NEIGE C950-52005-0

REPAIR PARTS
PIÈCES DE RECHANGE
FRAME COMPONENTS / BÂTI



344688

Key No.
N° sur le
schéma

Description

Description

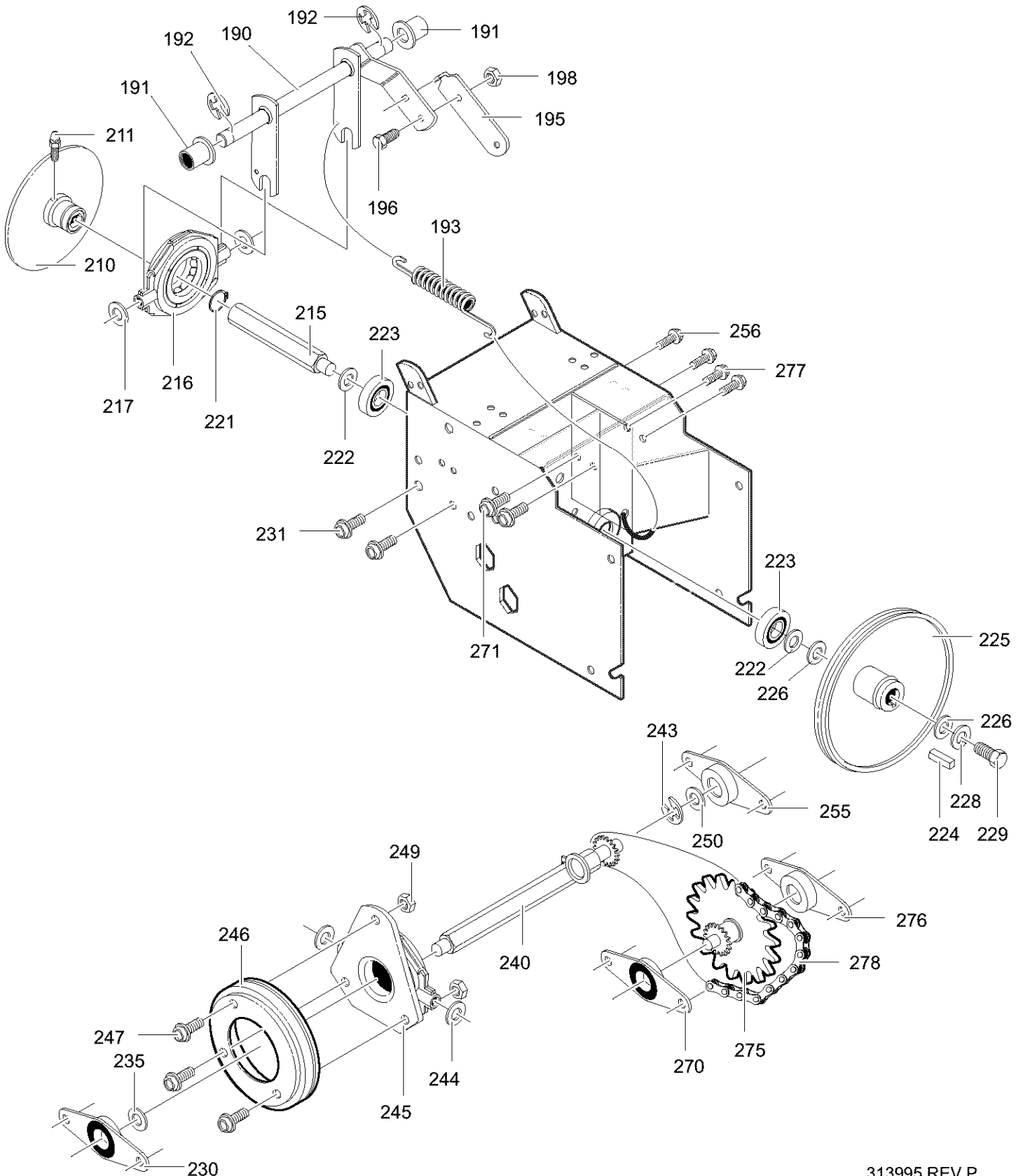
Part No.
N° de pièce

80	FRAME ASSY	BÂTI DE MONTAGE	761702-848
88	SCREW, 5/16-18X .50	VIS, 5/16-18X,50 PO.	780055
90	COVER, BOTTOM	PANNEAU INFÉRIEUR	583031-853
91	SCREW, 1/4-20X .63	VIS, 1/4-20X,63 PO	310169
103	IDLER ASSEMBLY	MONTAGE, POULIE DE TENSION	762295
105	PIN, HAIR .38DIA X1.64LG	GOUPILLE, FENDUE	711682
106	PIN, KLIK 3/16" DIA	GOUPILLE À ANNEAU	761761
108	ASSY., SPRING ATTACH	MONTAGE, RESSORT ATTACHEMENT	761766
109	BEARING, FL.	PALIER	53703
110	BOLT, 3/8-16X1.25 CARR.	VIS 3/8-16X1,25 PO.	585781
111	WASHER, FLAT	RONDELLE PLATE	711617
140	LEVER, IDLER ARM TRACTION	LEVIER DE POULIE DE TENSION	761701
141	BOLT, .625X.135 HSH 5/16-18	BOULON, .625X,135 5/16-18	329989
145	IDLER SPRING TRACTION DRIVE	RESSORT DE POULIE DE TENSION	53704
146	SCREW, 3/8-16X1.25	VIS, 3/8-16X1,25 PO	761760
148	PULLEY, IDLER	POULIE DE TENSION	50793
149	NUT, 3/8-16	ÉCROU 3/8-16	590
160	COVER, BELT	COUVERCLE DE COURROIE	760478
161	SCREW, 1/4-20X .63	VIS, 1/4-20X,63	310169
162	WASHER, FLAT	RONDELLE PLATE, .281X,63X,065	71067
163	LID, BELT COVER	COUVERCLE DE COURROIE	760539

CRAFTSMAN 22" SNOW BLOWER C950-52005-0
CRAFTSMAN 22" CHASSE-NEIGE C950-52005-0

REPAIR PARTS
PIÈCES DE RECHANGE

DRIVE COMPONENTS / BÂTI DE MONTAGE DU MOTEUR



313995 REV P

CRAFTSMAN 22" SNOW BLOWER C950-52005-0
CRAFTSMAN 22" CHASSE-NEIGE C950-52005-0

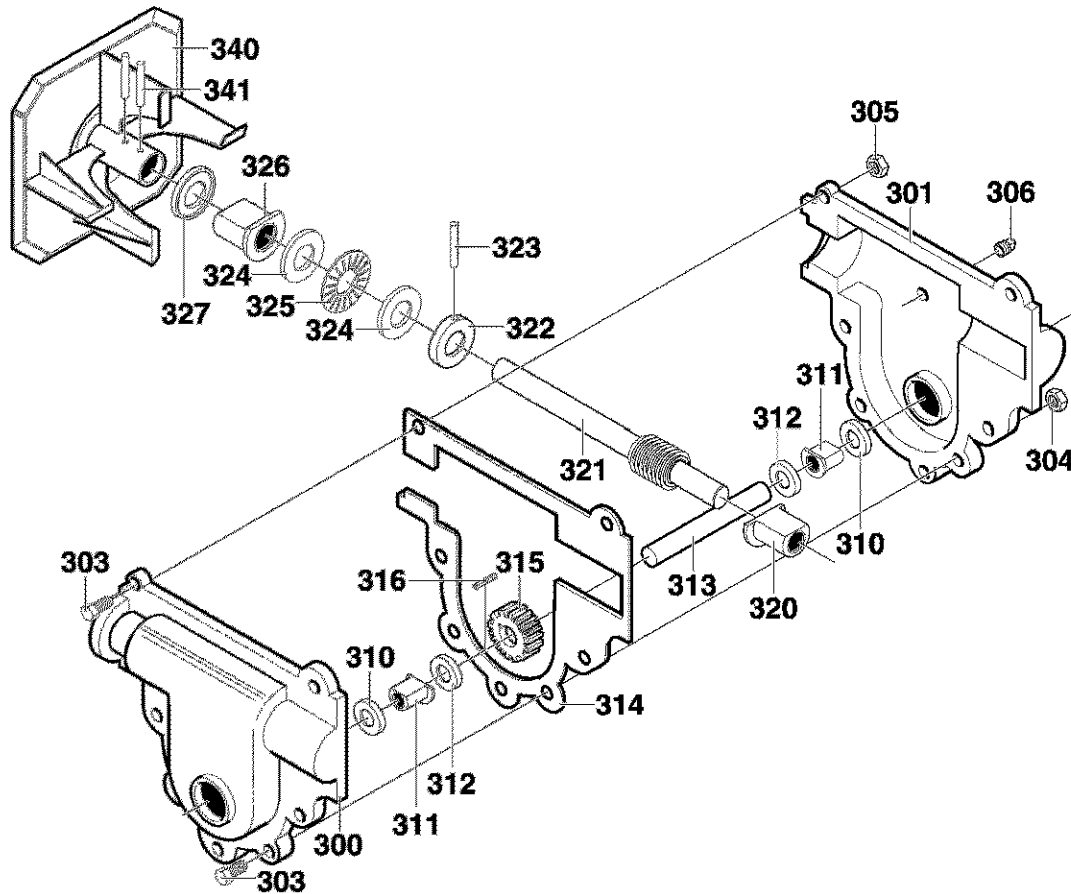
REPAIR PARTS
PIÈCES DE RECHANGE

DRIVE COMPONENTS / BÂTI DE MONTAGE DU MOTEUR

Key No. N° sur le schéma	Description	Description	Part No. N° de pièce
190	LEVER, ASSY TRACTION CLUTCH	LEVIER, COMMANDE DE EMBRAYAGE	761820
191	BEARING, FLANGE	PALIER	53703
192	RING, RET E	CIRCLIP	20864
193	SPRING, RETURN	RESSORT DE RAPPEL D'EMBRAYAGE	53818
195	LEVER, SPRING	LEVIER DE RESSORT DE COMMANDE DES ROUES	579937
196	SCREW, 1/4-20X .63	VIS, 1/4-20X,63 PO.	11871
198	NUT, 1/4-20 REGHEXCTRLK	ÉCROU, 1/4-20	73826
210	DISC, ASSY	DISQUE DE COMMANDE DES ROUES	583163-853
211	ZERK, GREASE	GRAISSEUR	583206
215	SHAFT, HEX TRACTION	ARBRE HEXAGONAL DE COMMANDE DES ROUES	583155
216	BEARING, TRUNION	PALIER DE TOURILLON	85501
217	FLATWASHER, .53 X1.00X.063	RONDELLE PLATE ,53X1,00X,063	71074
221	RING, RETEX	CIRCLIP	73811
222	FLATWASHER, .680X1.12X.060	RONDELLE PLATE ,680X1,12X,060	580969
223	BEARING, BALL	ROULEMENT À BILLE	43846
224	KEY, SQUARE	CLAVETTE	71371
225	PULLEY, V3L 6.50X .56	POULIE, V3L 6,50X,56	580961
226	WASHER	RONDELLE	580965
227	FLATWASHER, .281X1.00X.063	RONDELLE PLATE ,281X1,00X.063	712123
228	WASHER, SPLIT .26X.50X.06	RONDELLE FENDUE	71059
229	BOLT	BOULON	1X176
230	BEARING & RETAINER	PALIER & CIRCLIP	334163
231	SCREW, 5/16-18X .50	VIS, 5/16-18X,50 PO.	780055
235	WASHER, .502X .75X.0605	RONDELLE ,502X,75X,0605	579858
240	HEX, ASSY#40-8T W/PBRG	HEXAGONAL MONTAGE #40-8T	579897
243	RING, RETEX	CIRCLIP	783002
244	FLATWASHER, .53 X1.00X.063	RONDELLE PLATE ,53X1,00X,063	71074
245	BEARING, TRUNION	PALIER DE TOURILLON	337029
246	WHEEL, ASSY FRICTION	PLATEAU DE FRICTION ROUE	53830
247	SCREW, 1/4-20X .63	VIS, 1/4-20X,63	11871
249	NUT, 1/4-20 HEXKEPS	ÉCROU, 1/4-20	303008
250	WASHER, .502X .75X.0605	RONDELLE, ,502X,75X,0605	579858
255	BEARING & RETAINER	PALIER & CIRCLIP	334163
256	SCREW, 5/16-18X .50	VIS, 5/16-18X,50	780055
270	BEARING & RETAINER	PALIER & CIRCLIP	334163
271	SCREW, 5/16-18X .50	VIS, 5/16-18X,50 PO.	780055
275	JACK, ASSY#41-36/8T	HEXAGONAL MONTAGE #41-36T/8T	761691
276	BEARING & RETAINER	PALIER & CIRCLIP	334163
277	SCREW	VIS, 5/16-18X,50	780055
278	CHAIN ROLLER	CHAÎNE, CYLINDRIQUE #42X40P	579867
—	LINK, CHAIN MASTER	ÉNTREPRENEUR DE CHAÎNON	760504

CRAFTSMAN 22" SNOW BLOWER C950-52005-0
CRAFTSMAN 22" CHASSE-NEIGE C950-52005-0

REPAIR PARTS
PIÈCES DE RECHANGE
GEAR CASE / BOÎTER



313996

Key No.
N° sur le
schéma

Description

300	CASE, GEAR, RH
301	CASE, GEAR, LH
303	SCREW, 1/4-20X.75
304	NUT, 1/4-20
305	NUT, 1/4-20 HEXKEYS
306	SCREW, 3/8-16X.50
310	SEAL, OIL
311	BEARING, FL
312	WASHER, FLAT
313	SHAFT, AUGER OUTPUT
314	GASKET, GEAR BOX
315	WORM GEAR
316	KEY, WOODRUFF #61
320	BRNG, FL
321	SHAFT, AUGER INPUT
322	COLLAR, THRUST
323	PIN, SPRING
324	WASHER, FLAT
325	BRNG, ROLL
326	BRNG, FL
327	SEAL, OIL
340	IMPELLER
341	PIN, SPRING
*	10oz TUBE LUBRIPLATE

Description

BOÎTER CÔTÉ DROIT	10577
BOÎTER CÔTÉ GAUCHE	10576
VIS, 1/4-20X,75 PO.	710025
ÉCROU, 1/4-20	302635
ÉCROU, 1/4-20	303008
VIS, 3/8-16X,50	9344
JOINT À LÈVRE	9566
PALIER	50304
RONDELLE PLATE	48275
ARBRE DE VIS SANS FIN	340284
JOINT PLAT	51279
PIGNON	51405
CLAVETTE DEMI-LUNE No. 61	431787
PALIER	50221
ARBRE DE VIS SANS FIN	583125
PALIÉR DE BUTÉE	580295
GOUPILLE, RESSORT	454565
RONDELLE, PLATE	48275
PALIER	50684
PALIER	50304
JOINT À LÈVRE	9566
ARBRE DE LA TURBINE	760194-853
GOUPILLE RESSORT	454565
10oz LUBRIPLATE	333431

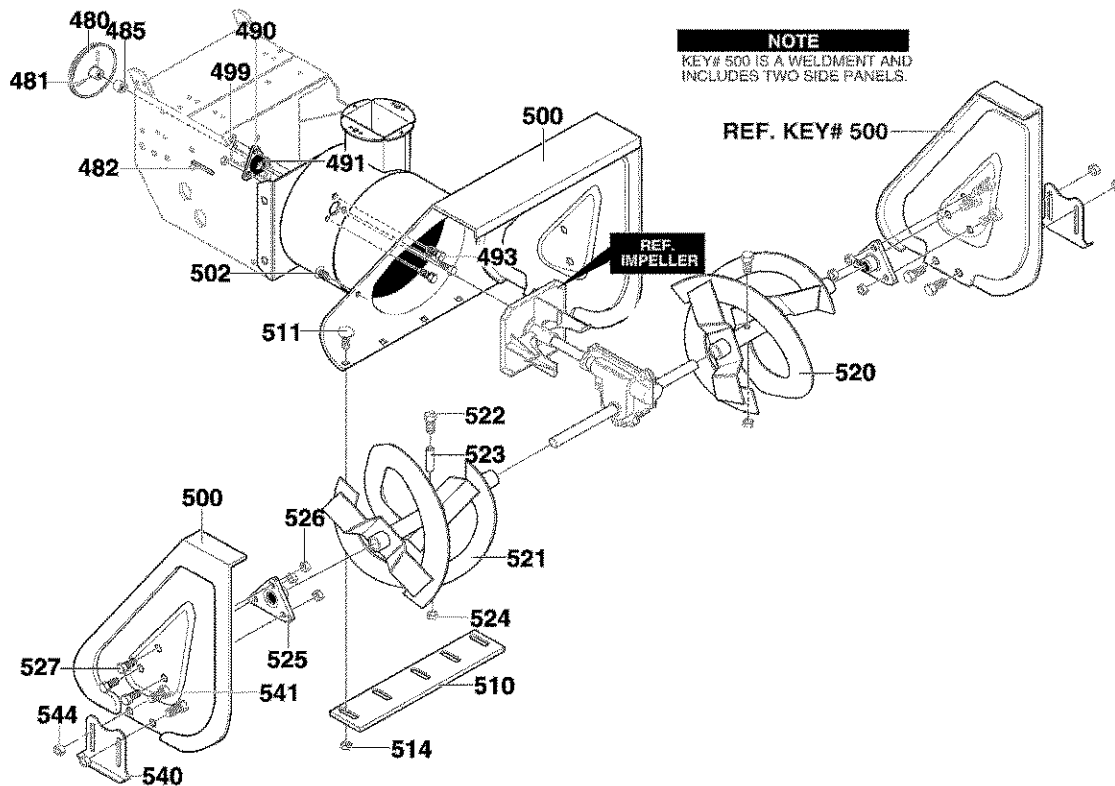
* (NOT ILLUSTRATED)

* (NON ILLUSTRÉ)

32

CRAFTSMAN 22" SNOW BLOWER C950-52005-0
CRAFTSMAN 22" CHASSE-NEIGE C950-52005-0

REPAIR PARTS
PIÈCES DE RECHANGE
AUGER HOUSING / VIS SANS FIN



339972

Key No.
N° sur le
schéma

Description

480	PULLEY, 4L 6.12X .67
481	SCREW, 5/16-18X.63
482	KEY, SQUARE
485	SPACER, SLEEVE .676X1.00X.53
490	RETAINER, BALL BRNG
491	BEARING, BALL
493	SCREW, 5/16-18X .75
499	NUT, 5/16-18 HEXWDFLLK
500	HOUSING, ASSY
502	FASTENER, RATCHET
510	BLADE, SCRAPER 22"
511	BOLT, 1/4-20X.75
514	NUT, 1/4-20
520	AUGER, ASSY, LH
521	AUGER, ASSY, RH
522	SCREW, 1/4-20X1.75
523	SPACER, SLEEVE
524	NUT, 1/4-20 REGHEXCTRLK
525	BEARING, FLANGE
526	NUT, 5/16-18
527	SCREW, 5/16-18X .75
540	SKID, HEIGHT ADJUST
541	BOLT, 5/16-18 X .75
544	NUT, 5/16-18 REGHEX

Description

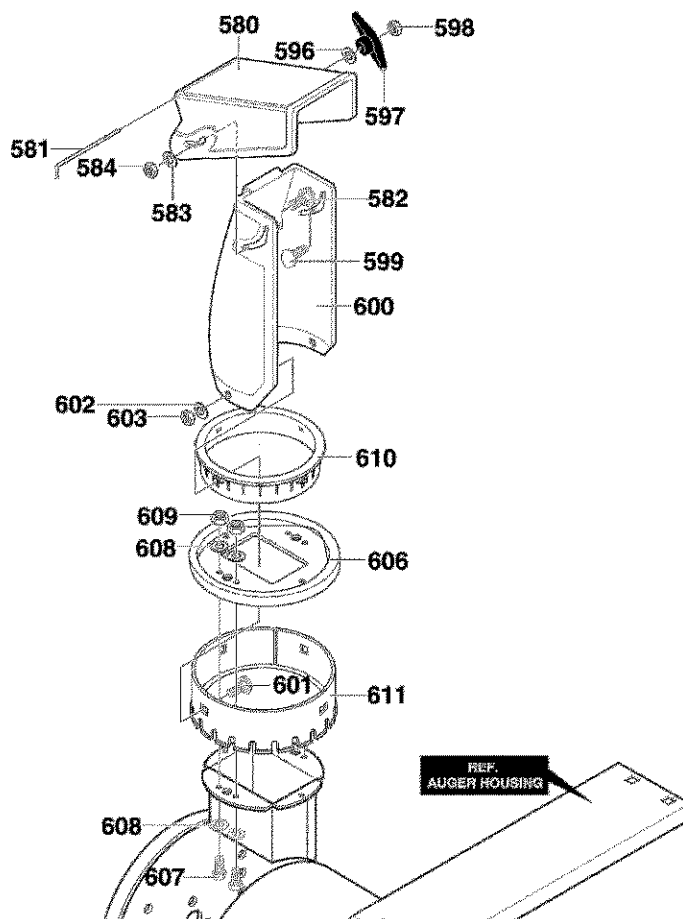
POULIE, 4L 6,22X ,67
VIS, 5/16-18X,63
CLAVETTE
ENTRETOISE ,676X1,00X,53
CIRCLIP, ROULEMENT À BILLE
ROULEMENT À BILLE
VIS, 5/16-18X,75
ÉCROU, 5/16-18
BOÎTER DE VIS SANS FIN
ATTACHES
BORD D'ATTAQUE 22 PO.
BOULON, 1/4-20X,75
ÉCROU, 1/4-20
VIS SANS FIN, CÔTÉ GAUCHE
VIS SANS FIN, CÔTÉ DROITE
VIS, 1/4-20X1,75 PO.
ENTRETOISE
ÉCROU, 1/4-20
PALIER
ECROU 5/16-18
VIS, 5/16-18X,75
PATIN
BOULON, 5/16-18 X ,75 PO
ÉCROU 5/16-18

Part No.
N° de pièce

762146
577400
71371
334514
582960
43846
313676
710026
761742-848
309235
581395-853
340714
780285
340520-853
340525-853
9524
3943
73826
9517
711862
9357
301380-853
340720
710026

CRAFTSMAN 22" SNOW BLOWER C950-52005-0
CRAFTSMAN 22" CHASSE-NEIGE C950-52005-0

REPAIR PARTS
PIÈCES DE RECHANGE
DISCHARGE CHUTE / DÉFLECTEUR DE GOULOTTE

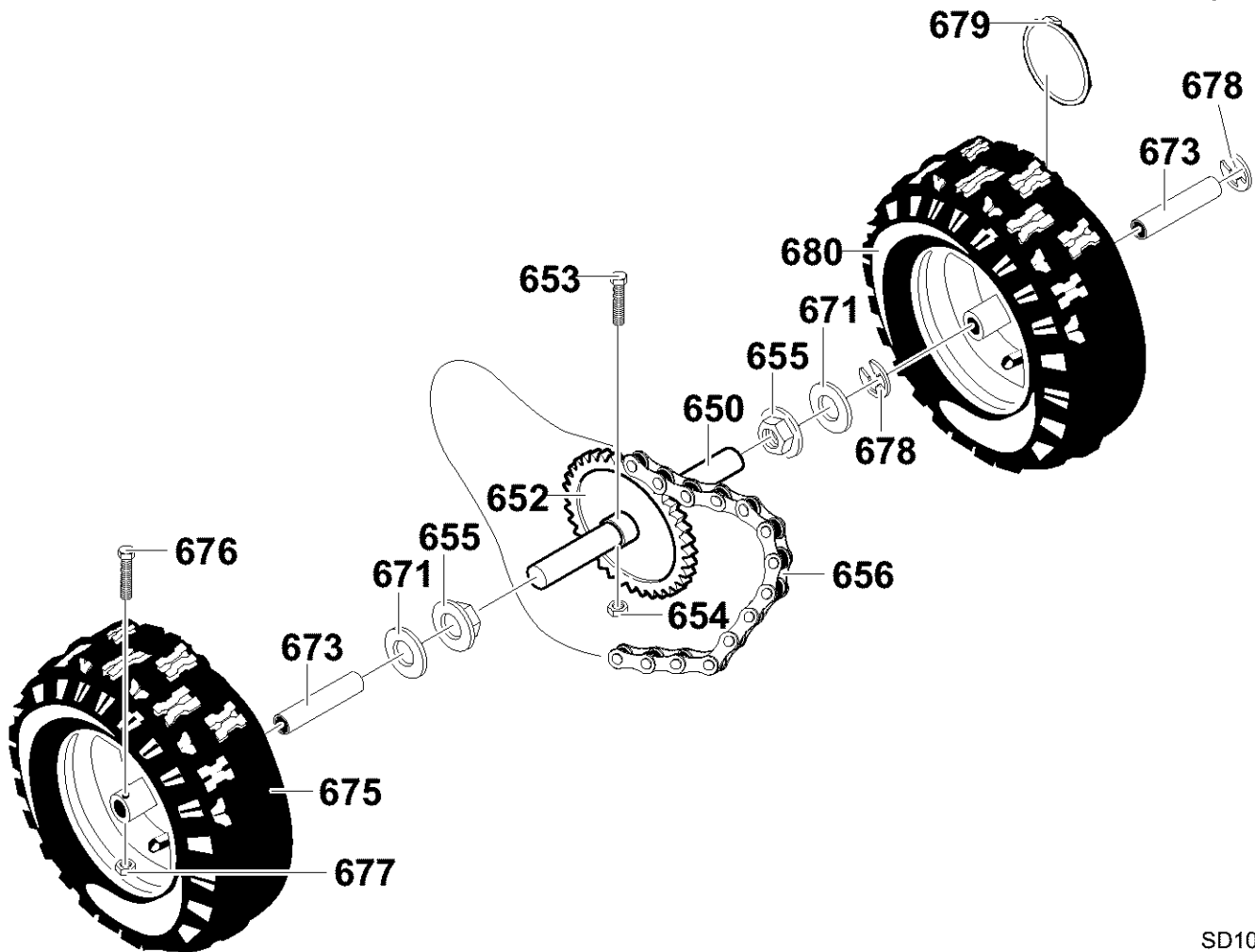


334214

Key No. N° sur le schéma	Description	Description	Part No. N° de pièce
580	CHUTE, UPPER	DÉFLECTEUR DE GOULOTTE, SUPERIEURE	325847
581	WIRE, HINGE	TIGE D'ARTICULATION	308931
582	SCREW, 5/16-18 X.75	VIS, 5/16-18X,75 PO.	578088
583	WASHER, FLAT .349X.69X.066	RONDELLE PLATE ,344X,69X,066	71071
584	NUT, 5/16-18 REGHEXCTRLK	ÉCROU 5/16-18	71391
596	WASHER, FLAT .349X.69X.066	RONDELLE PLATE ,344X,69X,066	71071
597	KNOB, T 3.00	MANETTE, T	57171
598	NUT, 5/16-18 REGHEX	ÉCROU, 5/16-18	71037
599	BOLT, 5/16-18X1.25 CARR.	BOULON, 5/16-18X1,25 PO.	302843
600	CHUTE, LOWER W/REMOTE	DÉFLECTEUR DE GOULOTTE, INFERIEURE	334234
601	BOLT, 5/16-18 X1.00	BOULON, 5/16-18X1,00 PO.	586280
602	WASHER, FLAT .349 X .69 X .066	RONDELLE PLATE ,349X,69X,066	71071
603	NUT, 5/16-18 HEXNYL	ÉCROU, 5/16-18	71038
606	CHUTE COLLAR	COLLIER DE COURONNE	585214-853
607	SCREW, 1/4-20 X .75	VIS, 1/4-20X,75 PO.	302628
608	WASHER, FLAT .281X.63X.065	RONDELLE PLATE, ,281X,63X,065	71067
609	NUT, 1/4-20 HEX NYLOCK	CONTRE-ÉCROU 1/4-20	780029

CRAFTSMAN 22" SNOW BLOWER C950-52005-0
CRAFTSMAN 22" CHASSE-NEIGE C950-52005-0

REPAIR PARTS
PIÈCES DE RECHANGE
WHEELS / ROUE

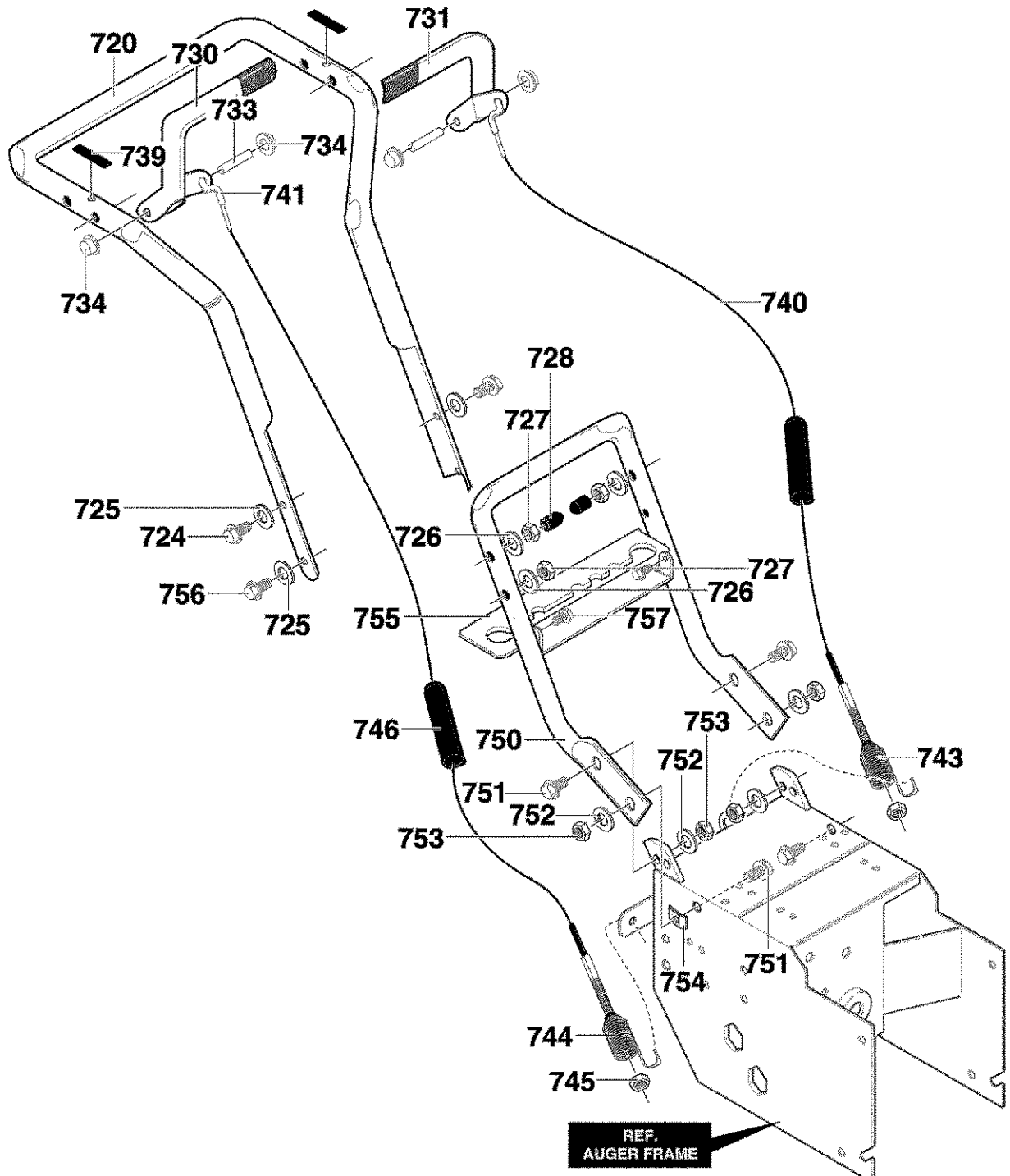


SD1020

Key No. N° sur le schéma	Description	Description	Part No. N° de pièce
650	SHAFT, AXLE	D'ARBRE, ROUE	580883
652	SPRKT & HUB	ROUE DENTÉE MONTAGE	583012
653	SCREW, 1/4-20X2.25	VIS, 1/4-20X2.25 PO.	73839
654	NUT, 1/4-20 HEX NYLOCK	ÉCROU, 1/4-20	780029
655	BRNG, FL	PALIER	581730
656	CHAIN, ROLLER	CHAÎNE, CYLINDRIQUE	579867
—	LINK, CHAIN MASTER	ÉNTREPRENEUR DE CHAÎNON	760504
671	FLATWASHER	RONDELLE PLATE, .765X1.12X.08	712120
673	BUSHING, WHEEL	PALIER	585591
675	TIRE & RIM, RIGHT	ROUE MONTAGE, DROIT	1501026
676	SCREW, 1/4-20X1.75	VIS, 1/4-20X1,50 PO.	577015
677	NUT, 1/4-20 HEX NYLOCK	ÉCROU, 1/4-20	780029
678	RING, RET	RONDELLE DE RETENUE	239
679	PIN, KLIK	GOUPILLE À ANNEAU	73842
680	TIRE & RIM, LEFT	ROUE MONTAGE, GAUCHE	1501025

CRAFTSMAN 22" SNOW BLOWER C950-52005-0
CRAFTSMAN 22" CHASSE-NEIGE C950-52005-0

REPAIR PARTS
PIÈCES DE RECHANGE
HANDLE / POIGNÉE



CRAFTSMAN 22" SNOW BLOWER C950-52005-0
CRAFTSMAN 22" CHASSE-NEIGE C950-52005-0

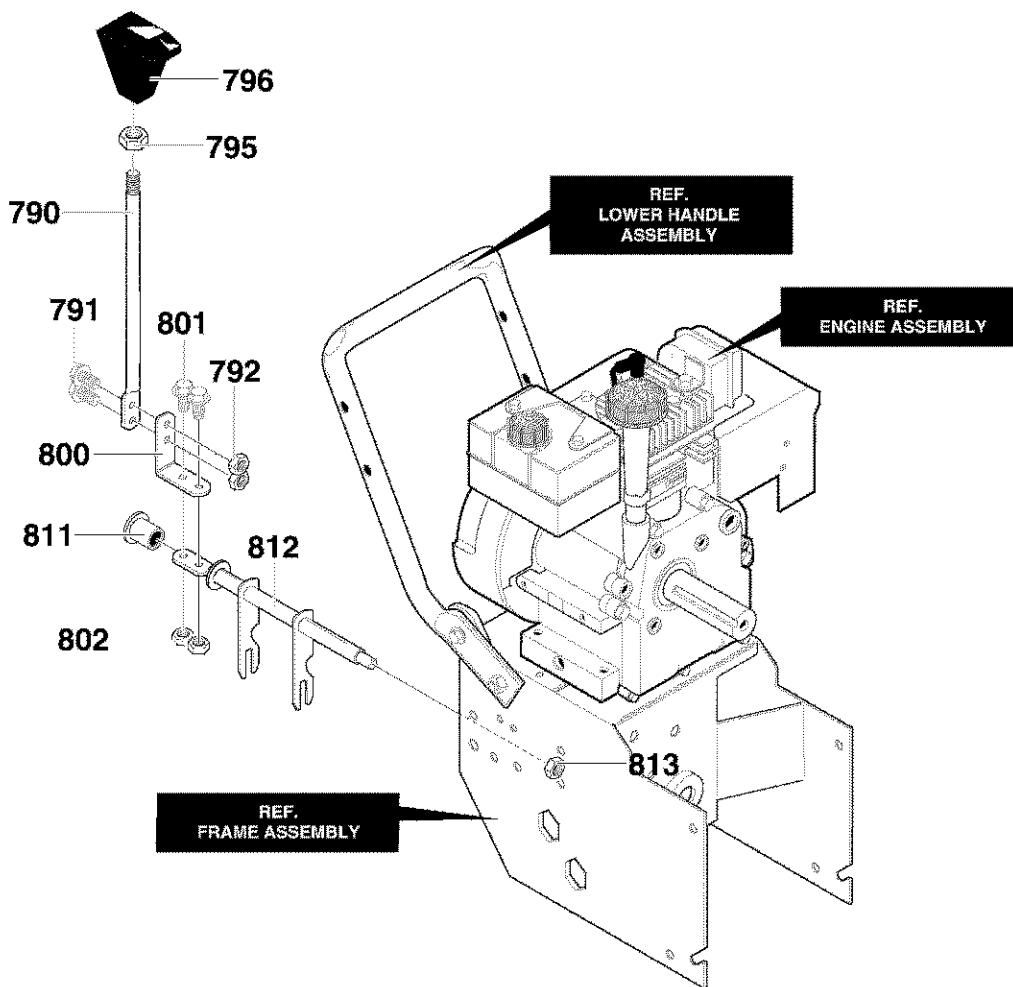
REPAIR PARTS
PIÈCES DE RECHANGE
HANDLE / POIGNÉE

Key No. N° sur le schéma	Description	Description	Part No. N° de pièce
720	HANDLE, UPPER	PARTIE SUPÉRIEURE DU GUIDON	9552-853
724	SCREW, 5/16-18X2.75	VIS, 5/16-18X2,75 PO.	11234
725	WASHER, FLAT .349X.69X.066	RONDELLE PLATE ,349X,69X,066	71071
726	WASHER, SPTLK .31X.58X.08	RONDELLE FREIN ,31X,58X,08	71060
727	NUT, 5/16-18 REGHEX	ÉCROU, 5/16-18	71037
728	STOP, RED PLASTIC	BUTÉE EN PLASTIQUE	11261
730	SET OF CLUTCH HANDLE RH & LH	POIGNÉE D'EMBRAYAGE, CÔTÉ DROIT ET GAUCHE	334195
731	SET OF CLUTCH HANDLE RH & LH	POIGNÉE D'EMBRAYAGE, CÔTÉ DROIT ET GAUCHE	334195
733	PIN, CLUTCH HANDLE	AXE DE PIVOT	4140
734	NUT, PUSH ON CAP	ÉCROU, BORGNE	3535
739	BUMPER, RECTANGLE	BUTÉE	4049
740	CABLE, CLUTCH 28.44L	CÂBLE D'EMBRAYAGE	1579
741	CABLE, AUGER CLUTCH	CÂBLE VIS SANS FIN D'EMBRAYAGE	761590
743	TENSION SPRING	RESSORT	579869
744	SPRING, AUGER CLUTCH	RESSORT D'EMBRAYAGE DE LA VIS SANS FIN	1673
745	NUT, 1/4-20	ÉCROU, 1/4-20	780029
746	BOOT, CLUTCH SPRING	RESSORT D'EMBRAYAGE DE LA VIS SANS FIN	308146
750	HANDLE, LOWER	PARTIE, INFÉRIEURE DU GUIDON	339541-853
751	SCREW, 5/16-18 X1.00	VIS, 5/16-18X1,00	313053
752	WASHER, SPTLK	RONDELLE FREIN	71060
753	NUT, 5/16-18 REGHEX	ÉCROU, 5/16-18	71037
754	PUSHNUT, 5/16 BOLT RETAINER	ÉCROU RAPIDE, 5/16 BOULON CIRCLIP	309436
755	BRKT, GEAR SELECTOR	SUPPORT, GRILLE DE VITESSES	337407-853
756	SCREW, 5/16-18X2.00	VIS, 5/16-18X2,00 PO.	6751
757	SCREW, .25X.75X.51	VIS, ,25X,75X,51	300303

CRAFTSMAN 22" SNOW BLOWER C950-52005-0
CRAFTSMAN 22" CHASSE-NEIGE C950-52005-0

REPAIR PARTS
PIÈCES DE RECHANGE

SHIFT YOKE / DE COMMANDE YOKE MONTAGE

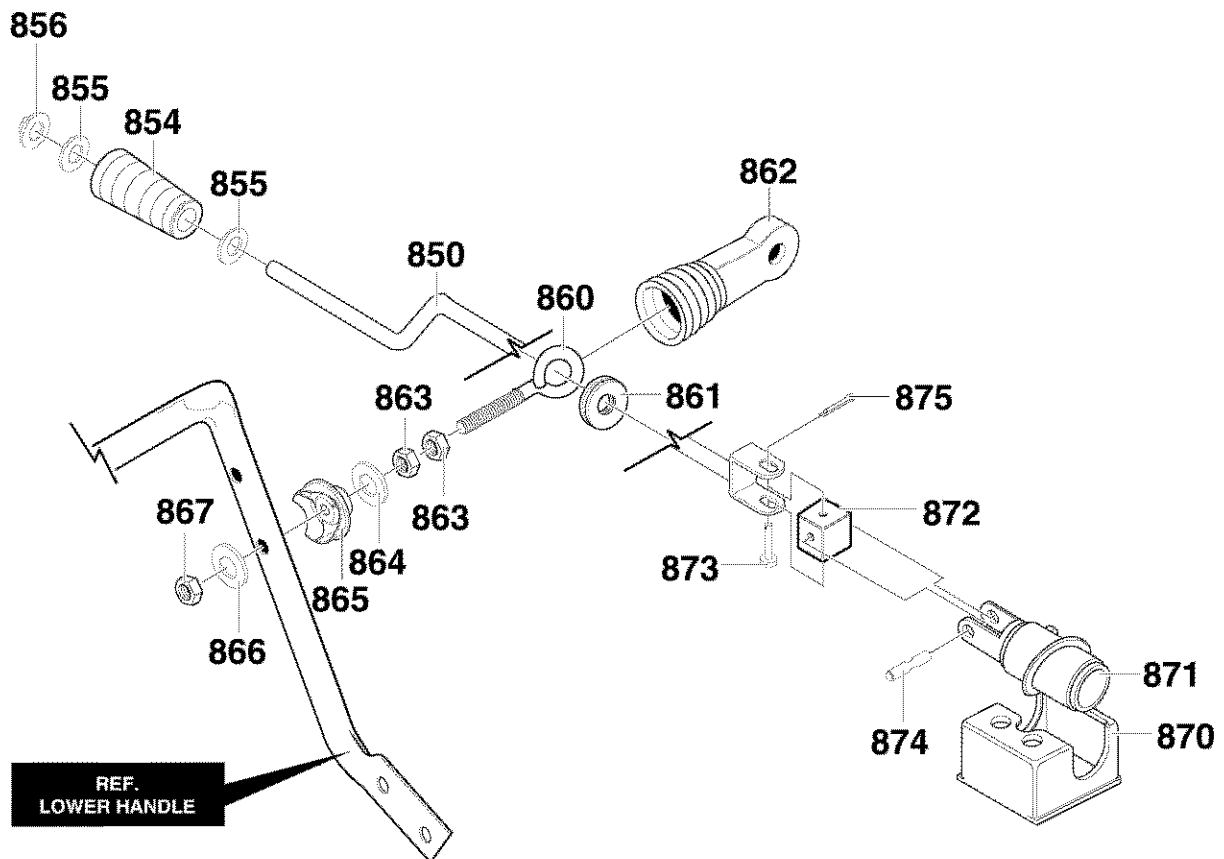


319053

Key No. N° sur le schéma	Description	Description	Part No. N° de pièce
790	ROD, SHIFT	TIGE DE COMMANDE DE VITESSE	581631-853
791	SCREW, 1/4-20X.75	VIS, 1/4-20X,75 PO.	302628
792	NUT, 1/4-20 REGHEXCTRLK	CONTRE-ÉCROU, 1/4-20	73826
795	NUT, 1/2-13 HEXJAM	ÉCROU, 1/2-13	318486
796	KNOB, SHIFT	POMMEAU	304438
800	LEVER, SPRING SHIFT	LEVIER, RESSORT DE COMMANDE	760564
801	SCREW, 1/4-20X.75	VIS, 1/4-20X,75 PO.	302628
802	NUT, 1/4-20 REGHEXCTRLK	CONTRE-ÉCROU, 1/4-20	73826
811	BEARING, FLANGED	PALIER	579944
812	ROD, ASSY. YOKE	TIGE,	581795
813	NUT, 3/8-16 HEXCTRLK	CONTRE-ÉCROU 3/8-16	71111

CRAFTSMAN 22" SNOW BLOWER C950-52005-0
CRAFTSMAN 22" CHASSE-NEIGE C950-52005-0

REPAIR PARTS
PIÈCES DE RECHANGE
CHUTE ROD / GOULOTTE TIGE

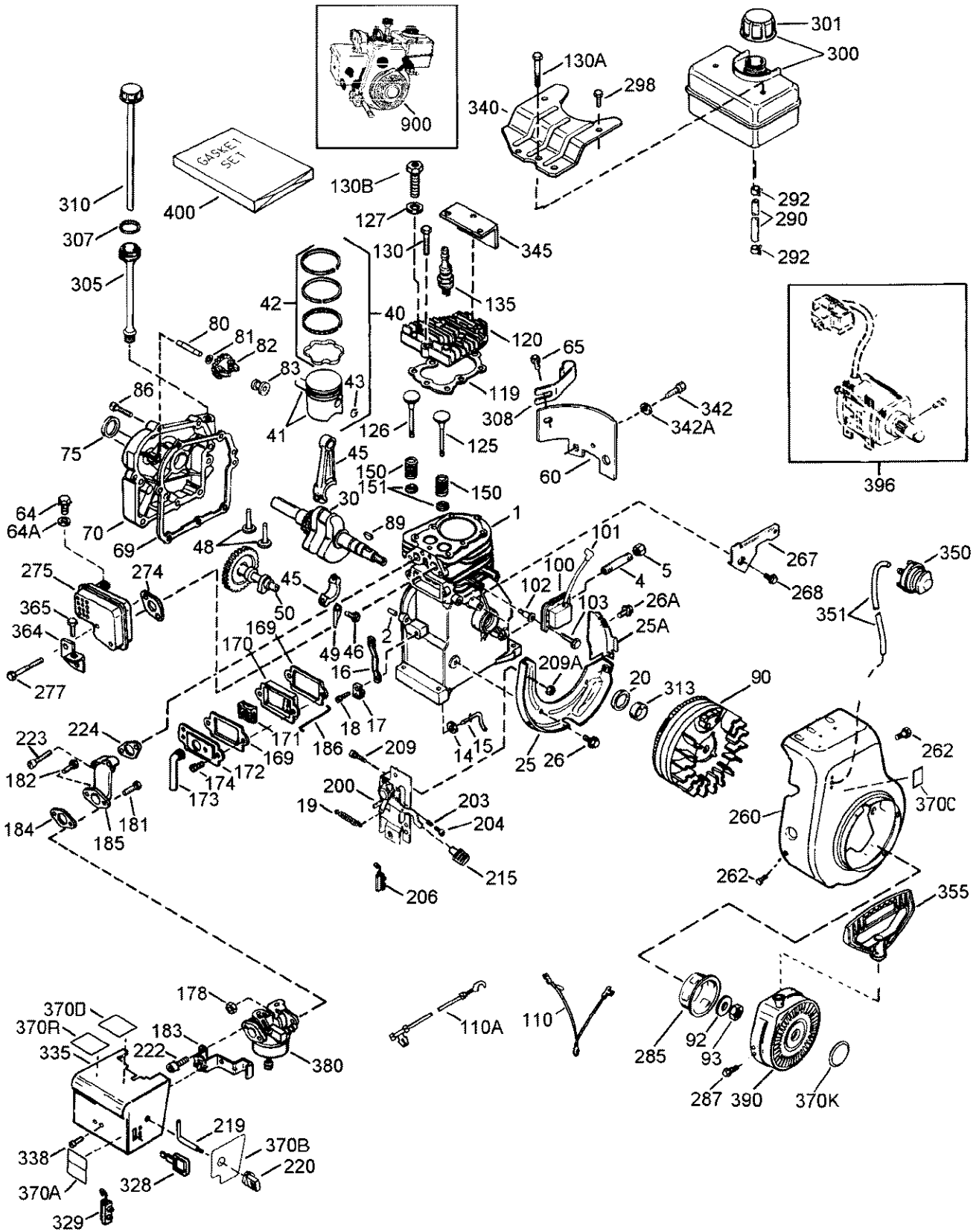


334215

Key No. N° sur le schéma	Description	Description	Part No. N° de pièce
850	CRANK, ASSY CHUTE	POIGNÉE DE MANIVELLE MONTAGE	585426
854	HANDLE, CHUTE CRANK	POIGNÉE DE MANIVELLE	307399
855	FLATWASHER .39X.70X.05	RONDELLE PLATE, ,39X,70X,05	309312
856	E RING	CIRCLIP	578159
860	EYE BOLT 3/8-16X6.00	BOULON À OIL 3/8-16X6,00 PO.	581618
861	GROMMET, EYE BOLT	PASSE-TUBE	148
862	BOOT	BOUTIE	308145
863	NUT, 3/8-16 HEXJAM	ÉCROU, 3/8-16	71045
864	FLATWASHER .406X.81X.066	RONDELLE PLATE ,406X,81X,066	71072
865	ADAPTER, BOOT TO HANDLE	ADAPTATEUR	309344
866	FLATWASHER .406X.81X.066	RONDELLE PLATE ,406X,81X,066	71072
867	NUT, 3/8-16 HEXNYL	ÉCROU INDESSERRABLE 1/4-20	71046
870	BRACKET, WORM MTG	SUPPORT DE VIS SANS FIN DE GOULOTTE	585195
871	WORM, GEAR CHUTE ROTATION	VIS SANS FIN	585196
872	BLOCK, UNIVERSAL PIVOT	FOURCHETTE DE JOINT UNIVERSEL	578063
873	CLEVIS PIN	AXE DE MONTAGE	578309
874	PIN, UNIVERSAL JOINT	AXE DE JOINT UNIVERSEL	578060
875	COTTER PIN	GOUPILLE FENDUE	579493

TECUMSEH 5 HP 4 CYCLE ENGINE 143.015003
MOTEUR 5 HP 4 TEMPS TECUMSEH 143.015003

REPAIR PARTS
PIÈCES DE RECHANGE



TECUMSEH 5 HP 4 CYCLE ENGINE 143.015003

MOTEUR 5 HP 4 TEMPS TECUMSEH 143.015003

REPAIR PARTS

PIÈCES DE RECHANGE

Key No.
N° sur le
schéma

	Description	Description	Part No. N° de pièce
	RPM High 3550 to 3850	Régime maximal: 3550 à 3850 tr/min	
	RPM Low 1850–2150	Régime de ralenti: 1750–2050 tr/min	
1	Cylinder Ass'y (Incl. 2, 20,72 & 125)	Cylindre (comprend ref. 2, 20 et 72)	36469A
2	Dowel Pin	Cheville	26727
4	Oil Drain Extension	Rallonge d'orifice de vidaoge	0
5	Extension Cap	Bouchon	30969
14	Washer	Rondelle	28277
15	Governor Rod	Elge du régulateur	31334
16	Governor Lever	Levier du régulateur	31510
17	Governor Lever Clamp	Bride du levier du régulateur	31335
18	Screw, Torx T–15 ,8–32 x 19/64"	Vis, Torx T–15, 8–32 x 19/64 po	651018
19	Extention Spring	Ressort	31426
20	Oil Seal	Joint à lèvres	32600
25	Blower Housing Baffle (Inc. 262)	Défecteur du boîtier de soufflante (comprend 262)	36552
25A	Baffle Extension	Défecteur de boîtier de soufflante	35883
26	Screw, 1/4–20 x 5/8"	Vis, 1/4–20 x 5/8 po	650802
26A	Screw, 8–32 x 21/64"	Vis, 8–32 x 21/64 po	650926
30	Crankshaft	Vi lebrequin	37245
40	Piston, Pin & Ring Set (Std.)	Piston, axe et segments (standard)	36073
40	Piston, Pin & Ring Set (.010" OS)	Piston, axe et segments (cote + 0,010)	36074
40	Piston, Pin & Ring Set (.020" OS)	Piston, axe et segments (cote + 0,020))	36075
41	Piston, Pin Ass'y. (Std.) (Incl. 43)	Piston, axe et segments (standard) (comprend ref. 43)	36070
41	Piston, Pin Ass'y. (.010" OS) (Incl. 43)	Piston, axe et segments (cote + 0,010) (comprend ref. 43)	36071
41	Piston, Pin Ass'y. (.020" OS) (Incl. 43)	Piston, axe et segments (cote + 0,020) (comprend ref. 43)	36072
42	Ring Set (Std.)	Segments (standard)	36076
42	Ring Set (.010" OS)	Segments (cote + 0,010)	36077
42	Ring Set (.020" OS)	Segments (cote + 0,020)	36078
43	Piston Pin Retaining Ring	Circlip d'axe de piston	20381
45	Connecting Rod Assty (Incl. 46&49)	Bielle (comprend ref. 46&49)	32875A
46	Connecting Rod Bolt	Vis de bielle	32610A
48	Valve Lifter	Poussoir de soupape	27241
49	Oil Dipper	Défecteur d'huile	32654
50	Camshaft (BCR)	Arbre à cames	33158
60	Blower Housing Extension	Rehausse de boîtier de soufflante	29745
64	Screw, Torx T–30, 1/4–20 x 1/2"	Vis, Torx T–30, 1/4–20 x 1/2po	30063
64A	Washer	Rondelle	8345
65	Screw, 10–24x 1/2"	Vis, 1 0–24 x 1/2 po	650128
69	Cylinder Cover Gasket	Joint du couvercle de cylindre	*27677A
70	Cylinder Cover (Incl. 75 –83)	Couvercle de cylindre (comprend ref. 75 – 83)	34674C
75	Oil Seal	Joint à lèvres	27897
80	Governor Shaft	Axe du régulateur	30574A
81	Washer	Rondelle	30590A
82	Governor Gear Ass'y	Couronne	30591
83	Governor Spool	Bobine du régulateur	30588A

TECUMSEH 5 HP 4 CYCLE ENGINE 143.015003

MOTEUR 5 HP 4 TEMPS TECUMSEH 143.015003

REPAIR PARTS

PIÈCES DE RECHANGE

86	Screw, 1/4–20 x 1–3/16"	Vis, 1/4–20 x 1–3/16 po	650488
89	Flywheel Key	Clavette du volant	610961
90	Flywheel (W/Ring Gear)	Volant (avec couronne)	611199
92	Washer	Rondelle	650815
93	Flywheel Nut	Écrou du volant	650816
100	Solid State Ignition	Module d'allumage	34443B
101	Spark Plug Cover	Capuchon de bougie	610118
102	Solid State Mounting Stud	Goujon du module d'allumage	651024
103	Screw, Torx T–15, 10–24 x 15/16"	Vis, T–15 Torx, 10–24 x 15/16 po	651007
110	Ground Wire	Fil de masse	35182
110A	Ground Wire	Fil de masse	36874
119	Cylinder Head Gasket	Joint de culasse	36443
120	Cylinder Head	Culasse	36441
125	Exhaust Valve (Std.) (Incl. 151)	Soupape d'échappement (standard) (comprend ref. 151)	36471
125	Exhaust Valve (1/32" OS) (Incl. 151)	Soupape d'échappement (cote + 1/32 po) (comprend ref. 151)	36472
126	Intake Valve (Std.) (Incl. 151)	Soupape d'admission (standard) (comprend ref. 151)	32644A
126	Intake Valve (1/32" OS) (Incl. 151)	Soupape d'admission (cote + 1/32 po) (comprend ref. 151)	32645A
127	Washer	Rondelle	650691
130	Screw, 5/16–18 x 1–1/2"	Vis, 5/16–18 x 1–1/2 po	6021A
130A	Screw, 5/16–18 x 2"	Vis, 5/16–18 x 2 po	650694A
130B	Screw, 5/16–18 x 1–1/2"	Vis, 5/16–18 x 1–1/2 po	650818
135	Resistor Spark Plug (RJ1 9LM)	Bougie	35395
150	Valve Spring	Ressort de soupape	31672
151	Valve Spring Keeper	Clavette de ressort de soupape	31673
169	Valve Cover Gasket	Joint de cache-culbuteurs	*27234A
170	Breather Body	Reniflard	27666
171	Breather Element	Filtre du reniflard	31410
172	Valve Cover	Couvercle du reniflard	34146
173	Breather Tube	Tube du reniflard	35350
174	Screw, 10–24 x 3/4"	Vis, 10–24 x 3/4 po	650783
178	Nut & Lock Washer, 1/4–28	Écrou et rondelle-frein, 1/4–28	29752
181	Screw, 1/4–28 x 1–11/16"	Vis, 1/4–28 x 1–11/16 po	650870
182	Screw, 1/4–28 x 7/8"	Vis, 1/4–28 x 7/8 po	6201
183	Choke Bracket	Bride de volet de départ	34583A
184	Carburetor To Intake Pipe Gasket	Joint du carburateur	*26756
185	Intake Pipe	Collecteur d'admission	33691
186	Governor Link	Tige du régulateur	32698
200	Control Bracket (Incl. 19, 203, 204 & 206)	Support de commande (comprend ref. 19, 203, 204 et 206)	36677
203	Compression Spring	Ressort	31342
204	Screw, Torx T–10 5–40 x 7/16"	Vis, 5–40 x 7/16 po	651029
206	Terminal	Borne	610973
209	Screw, 8–32 x 3/4 "	Vis, 8–32 x 3/4 po	650139
209A	Lock Nut, 8–32	Écrou-frein 8–32	30322
215	Control Knob	Bouton de manette d'accélération	35440
219	Choke Rod	Tige du volet de départ	34582
220	Choke Knob	Manette du volet de départ	35438

TECUMSEH 5 HP 4 CYCLE ENGINE 143.015003

MOTEUR 5 HP 4 TEMPS TECUMSEH 143.015003

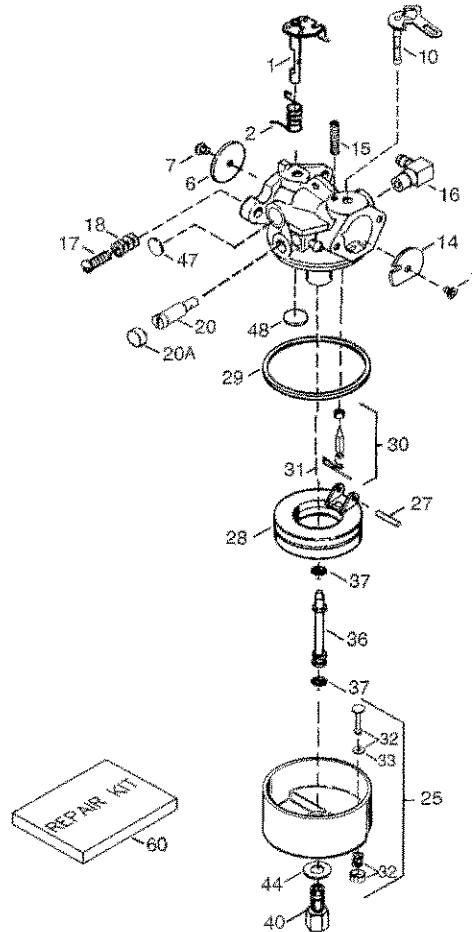
REPAIR PARTS

PIÈCES DE RECHANGE

222	Screw, 10-32 x 1/2"	Vis, 1 0-32 x 1/2 po	28820
223	Screw, Torx T-30, 5/16-18 x 1-1/8"	Vis, TorxT-30,5/16-18x1-1/8po	650664
224	Intake Pipe Gasket	Joint de collecteur d'admission	*33673A
260	Blower Housing	Boîtier de soufflante	35656A
262	Screw, 1/4-20 x 1/2"	Vis, 1/4-20 x1/2 po	650737
267	Hold Down Bracket	Support	34212
268	Screw, 10-24 x 9/16"	Vis, 5/16-18 x 3/16po	30200
274	Exhaust Gasket	Joint	33670A
275	Muffler	Silencieux	35771A
277	Screw, 1/4-20 x2-27/64"	Vis, 1/4-20 x2-27/64po	650327
285	Starter Cup	Moyeu du démarreur	36467A
287	Screw, 8-32 x 21/64"	Vis, 8-32 x 21/64	650926
290	Fuel Line	Tuyau d'essence	30705
292	Fuel Line Clamp	Collier	26460
298	Screw, 1/4-15 x 3/4"	Vis, 1/4-15 x 3/4 po	650665
300	Fuel Tank (Incl. 292 & 301)	Réservoir d'essence (comprend ref,292 et 301)	35584
301	Fuel Cap	Bouchon du réservoir	35355
305	Oil Fill Tube	Tube de remplissage d'huile	35554
307	"O" Ring	Joint torique	35499
308	Fill Tube Clip	Bride du tube de remplissage	35539
310	Dipstick	Jauge d'huile	35556
313	Spacer	Entretoise	34080
328	Ignition Key	Clé de contact	35062
329	Terminal	Borne	610973
335	Carburetor Cover	Couvercle du carburateur	35072
338	Screw, 8-32 x 5/16"	Vis,8-32 x 5/16 po	650257
340	Fuel Tank Bracket	Support du réservoir	36247
342	Screw, Torx T-301/4-20 x 1/2"	Vis,Torx-T-301/4-20 x 1/2 po	30063
342A	Washer	Rondelle	650675
345	Heat Baffle	Déflexor	33344
350	Primer Ass'y	Amorceur	570682A
351	Primer Line	Tuyau de l'amorceur	32180C
355	Starter Handle	Poignée du démarreur	590574
364	Carburetor Cover Bracket	Support du couvercle du carburateur	33333
365	Screw, 8-32 x 27/64"	Vis,8-32 x 27/64 po	650735
370A	Lubrication Decal	Autocollant (graissage)	36261
370C	Primer Decal	Autocollant de l'amorceur	36501
370D	Caution Decal	Autocollant d'avertissement	36534
370B	Choke Decal	Autocollant Volet de départ	35282
370K	Starter Decal	Autocollant de démarreur	36695
370R	Warning Decal	Autocollant d'avertissement	37119
380	Carburetor (Incl. 184)	Carburateur (comprend ref.184)	640084A
390	Rewind Starter	Démarreur à corde	590742
396	Electric Starter Motor (Optional)	Démarreur électrique (option)	33290E
400	Gasket Set (Incl. items marked *) Incl. part #'s 26756, 27234A, 27272A, 27677A, 29673, 36443, 33670A, 33673A	Nécessaire de joints (comprend références identifiées *) Comprend réf 26756, 27234A, 27272A, 27677A, 29673, 36443, 33670A, 33673A	36444

TECUMSEH 5 HP 4 CYCLE ENGINE 143.015003
MOTEUR 5 HP 4 TEMPS TECUMSEH 143.015003

REPAIR PARTS
PIÈCES DE RECHANGE



Key No.
N° sur le
schéma

Description

	Carburetor (Incl.184 of Engine Parts List)
1	Throttle Shaft & Lever Assembly
2	Throttle Return Spring
6	Throttle Shutter
7	Shutter Screw
10	Choke Shaft & Lever Assembly
14	Choke Shutter
15	Choke Positioning Spring
16	Fuel Fitting
17	Throttle Crack Screw/Idle Speed Screw
18	Tension Spring
20	Idle Mixture Screw
20A	Idler Restrictor Screw Cap
25	Float Bowl Ass'y. (Incl. 32 & 33)
27	Float Shaft
28	Float
29	Float Bowl "O" Ring
30	Inlet Needle, Seat & Clip (Incl. 31)
31	Spring Clip
32	Bowl Drain Assembly
33	Drain Plunger Gasket
36	Main Nozzle Tube
37	"O" Ring, Main Nozzle Tube
40	High Speed Bowl Nut
44	Bowl Nut Washer
47	Welch Plug, Idle Mixture Well
48	Welch Plug, Atmospheric Vent

Description

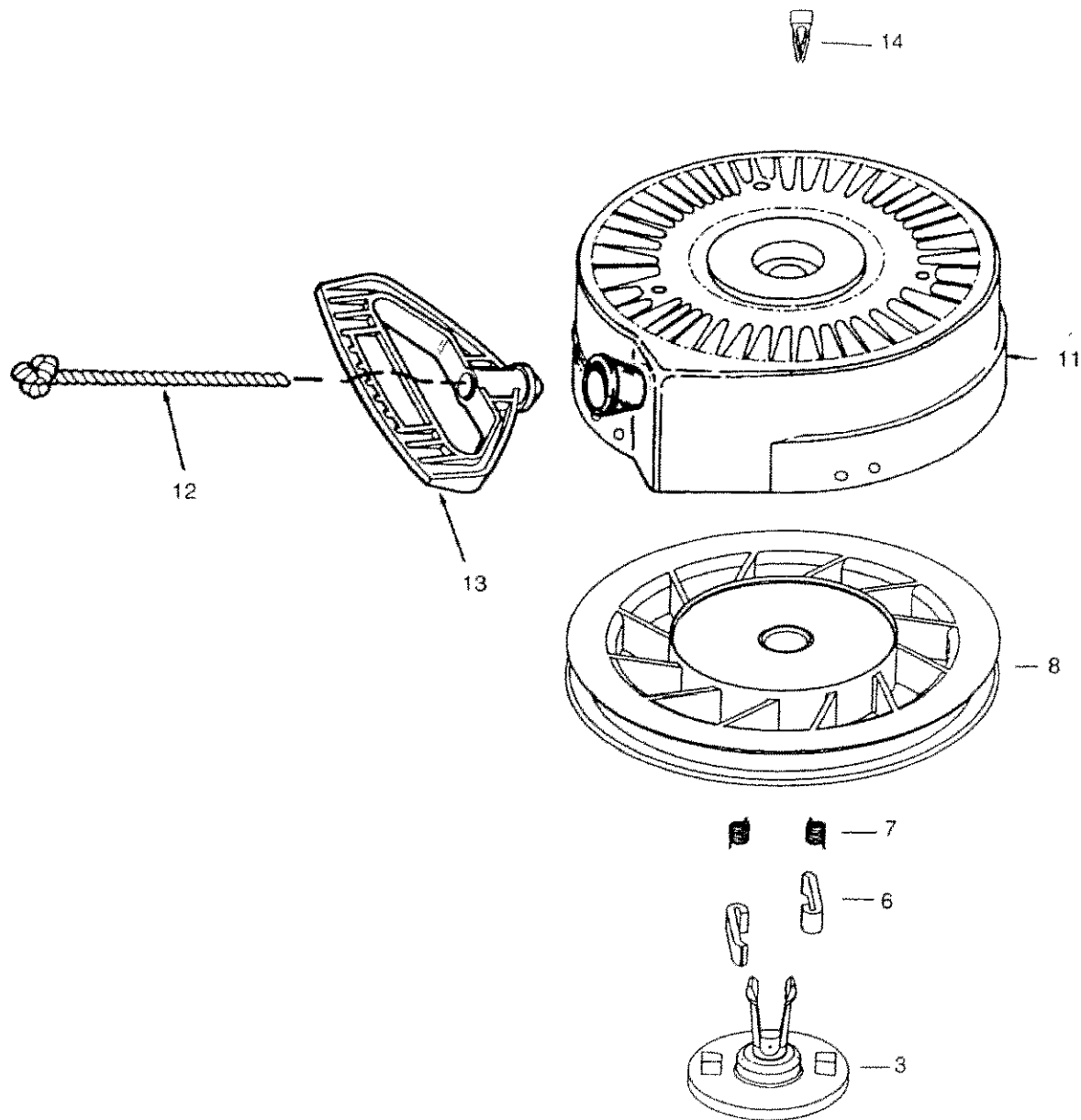
Carbureteur (comprend ref. 184 de la liste de pieces du moteur)
Axe et levier du papillon
Ressort de rappel du papillon
Cache du papillon
Vis de cache
Axe et levier du volet de départ
Cache du volet de départ
Ressort de butée du volet de départ
Raccord
Vis de ralenti
Ressort
Vis de richesse
Capuchon, Vis de richesse
Joint torique cuve (comprend ref. 32 et 33)
Axe du flotteur
Flotteur
Joint torique
Pointeau, siège et arrêt (comprend ref. 31)
Epingle
Vis de vidange de cuve
Joint
Tube
Joint torique
Écrou
Rondelle d'écrou de cuve
Pastille d'obturation
Pastille d'obturation

Part No.
N° de pièce

640084A
631615
631767
640070
650506
632108
631890
630735
631807
651025
630766
640018
640027
631951
631024
632019
631028
631021
631022
27136A
27554
632745
632547
640183
27110A
630748
631027

TECUMSEH 5 HP 4 CYCLE ENGINE 143.015003
MOTEUR 5 HP 4 TEMPS TECUMSEH 143.015003

REPAIR PARTS
PIÈCES DE RECHANGE



Key No.
N° sur le
schéma

Description

0	Rewind Starter
3	Retainer
6	Starter Dog
7	Dog Spring
8	Pulley & Rewind Spring Ass'y.
11	Starter Housing Ass'y.
12	Starter Rope (Length 98" x 9/64" dia.)
13	Mitten Grip Handle (Not included with starter)
14	Spring Clip

Description

Démarreur à corde	590742
Fixation	590740
Doigt de démarreur	590616
Ressort de doigt	590617
Potpie et ressort de rappel	590645A
Boîtier du démarreur	590647
Corde de démarreur (longeur 98 po, diamètre 9/64 po)	590535
Poignée (non livrée avec le démarreur)	590574
Epingle	590760

Part No.
N° de pièce

SEARS

*owner's
manual*

**Model
C950-52005-0
5-H.P. 22 inch**

**DUAL STAGE
SNOW BLOWER**

CRAFTSMAN

**SERVICE
is at
YOUR
SERVICE**

Serial No. _____

Model and Serial Number may be found on the number plate on the rear of the Snow blower. You should record both Model and Serial Number and keep in a safe place for future reference.

HOW TO ORDER REPAIR PARTS

Each SNOW BLOWER has its own MODEL NUMBER Each ENGINE has its own MODEL NUMBER.

The MODEL NUMBER for the ENGINE will be found on the BLOWER HOUSING.

Always mention the MODEL NUMBERS when requesting service or Repair Parts for your SNOW BLOWER.

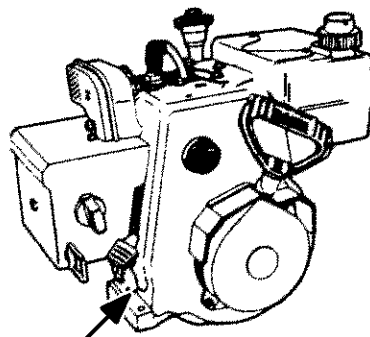
All parts list herein may be ordered through SEARS CANADA INC. RETAIL OR CATALOG STORES AND SERVICE CENTERS. If the parts you need are not stocked locally, your order will be electronically transmitted to a SEARS Parts Distribution Center for expedited handling.

When ordering parts by mail, selling prices will be furnished on request or parts will be shipped at prevailing prices and you will be billed accordingly.

WHEN ORDERING REPAIR PARTS, ALWAYS GIVE THE FOLLOWING INFORMATION:

1. PART NUMBER
2. PART DESCRIPTION
3. MODEL NUMBER
4. NAME OF THE ITEM-SNOW BLOWER
5. ENGINE MODEL NUMBER

Your Sears Merchandise takes on added value when you discover that Sears has Service Units throughout the Country Each is staffed by Sears-Trained, Professional technicians using Sears approved methods.



ENGINE MODEL DECAL

BLOWER MODEL DECAL



Dear Customer,

In manufacturing this product, many steps have been taken to provide you with the highest quality. Unfortunately, errors or omissions occasionally occur. In the event that you find a missing or defective part, please contact your nearest Sears store.

**SERVICE AND REPAIR PARTS
CALL 1-800-665-4455 ***

Keep this number handy should you required a service call or need to order repair parts. If ordering parts make sure you have the name, make and model no. of the merchandise and the name and number of the part you wish to order.

*If calling locally, please use one of the following numbers:

Regina – 566-5124

Montreal – 333-5740

Toronto – 744-4900

Halifax – 454-2444

Kitchener – 894-7590

Ottawa – 738-4440

Vancouver – 420-8211

If you have any suggestions that would help us to improve our assembly/operation instructions. or this product, please write them down and mail to:

Sears Canada Inc.
222 Jarvis Street
Toronto, Ontario
M5B 2B8

Attention Buyer Dept. 671

Model No. _____

NAME: _____

ADDRESS: _____

POSTAL CODE: _____ PHONE # _____

SEARS

*Manuel
d'utilisation*

Modèle
C950-52005-0
5-H.P.
22 pouces

Attention:

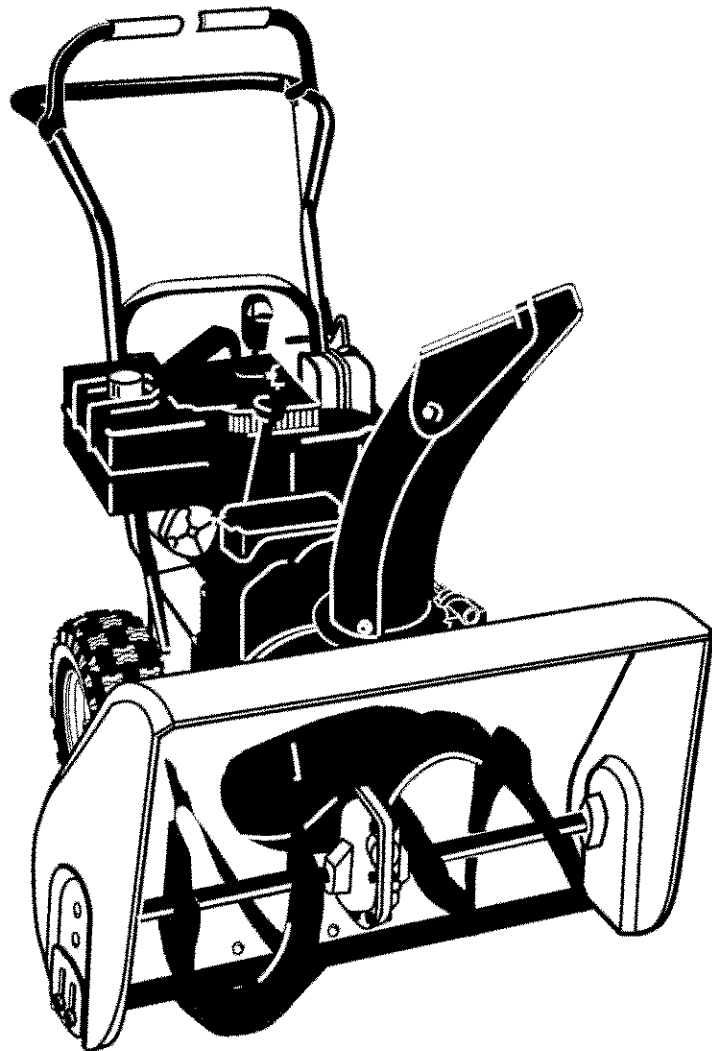
Lire et bien comprendre
ce manuel avant d'utiliser
le chasse-neige.

Numéro de série _____

SEARS

CRAFTSMAN

CHASSE-NEIGE À DEUX PHASES



CONSEILS DE SECURITE



ATTENTION: Toujours débrancher le fil de la bougie et le placer à l'écart pour éviter tout risque de mise en marche accidentelle pendant la préparation, l'entretien et le remisage du chasse-neige.



CONSEILS DE SÉCURITÉ POUR CHASSE-NEIGE À MAIN LIRE CE MANUEL AVANT D'UTILISER CET ÉQUIPEMENT



AVERTISSEMENT



Les gaz d'échappement du moteur, certains éléments de leur composition, ainsi que certains organes du véhicule contiennent ou émettent des substances chimiques qui, selon l'État de Californie, peuvent causer le cancer, des malformations à la naissance, ou représentent un danger pour la reproduction.

Les bornes et pôles de batterie et autres accessoires de ce type contiennent du plomb et des composés de plomb, substances chimiques qui, selon l'État de Californie, peuvent causer le cancer, des malformations à la naissance, ou représentent un danger pour la reproduction.

FORMATION

1. Lire attentivement le Manuel d'instructions et d'utilisation. Apprendre à bien connaître les commandes pour utiliser convenablement le chasse-neige. Apprendre à arrêter la machine et débrayer rapidement les commandes.
2. Ne jamais laisser d'enfants utiliser le chasse-neige. Ne jamais laisser d'adultes utiliser l'équipement sans en connaître le maniement.
3. Éloigner toutes les personnes de l'aire de travail, particulièrement les jeunes enfants et les animaux domestiques.
4. Faire attention à ne pas glisser ou tomber, particulièrement en marche arrière.

PRÉPARATION

1. Inspecter soigneusement la zone où le chasse-neige doit être utilisé et enlever tous les paillasons, traîneaux, planches, fils métalliques et autres corps étrangers.
2. Débrayer tous les embrayages et passer au point mort avant de mettre le moteur en marche.
3. Ne pas utiliser le chasse-neige à moins de porter des vêtements chauds pour l'hiver. Porter des chaussures qui aident à conserver un bon équilibre sur les surfaces glissantes.
4. Manier l'essence avec soin; elle est très inflammable.
 - (a) Utiliser un récipient approuvé pour l'essence.

- (b) Ne jamais ajouter d'essence à un moteur en marche ou chaud.
 - (c) Remplir le réservoir de carburant à l'extérieur en faisant très attention. Ne jamais remplir le réservoir à l'intérieur d'un local.
 - (d) Replacer soigneusement le bouchon du réservoir et essuyer tout carburant renversé.
5. Utiliser des rallonges et des prises de courant recommandées par le fabricant pour tous les chasse-neige équipés de démarreurs électriques.
 6. Régler la hauteur du boîtier du chasse-neige pour déneiger des surfaces recouvertes de gravier.
 7. Ne jamais effectuer de réglages lorsque le moteur tourne (sauf pour les réglages recommandés par le fabricant).
 8. Laisser le moteur et le chasse-neige s'adapter aux températures extérieures avant de commencer à déblayer la neige.
 9. Toujours porter des lunettes de sécurité lors de l'utilisation ou lors de tout réglage ou réparation pour protéger les yeux d'objets pouvant être projetés par le chasse-neige.

UTILISATION

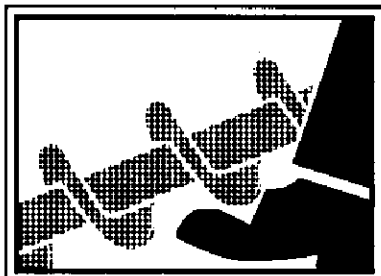
1. Ne pas placer les mains ou les pieds en dessous des pièces mobiles. Se tenir à l'écart de la goulotte d'éjection.
2. Faire extrêmement attention lors de travail sur ou lors de la traversée de routes revêtues de gravier, de trottoir ou de chaussée. Faire attention aux dangers cachés ou à la circulation.
3. Ne jamais éjecter la neige sur la voie publique ou vers la circulation.
4. Arrêter le moteur immédiatement après avoir heurté un corps étranger. Débrancher le fil de la bougie, et inspecter soigneusement le chasse-neige pour toute trace de dégâts. Effectuer les réparations nécessaires avant de remettre l'appareil en marche.
5. Si le chasse-neige commence à vibrer anormalement, arrêter le moteur et rechercher immédiatement la cause. Les vibrations sont des signes de mauvais fonctionnement.
6. Arrêter le moteur chaque fois que le chasse-neige est laissé sans surveillance, avant de dégager les aubes de la turbine ou la goulotte d'éjection et lors de réparations, réglages ou inspections.
7. Lors du nettoyage, de réparation, ou d'inspection, s'assurer que les aubes de la turbine et toutes les pièces mobiles sont arrêtées. Débrancher le fil de la bougie et tenir le fil à l'écart de la bougie pour éviter toute mise en marche accidentelle.

CONSEILS DE SECURITE

8. Prendre toutes les précautions nécessaires lorsque le chasse-neige est laissé sans surveillance. Débrayer la vis sans fin et la turbine, passer au point mort, arrêter le moteur et retirer la clé.
9. Ne pas faire tourner le moteur à l'intérieur d'un local, sauf lors de la mise en marche du moteur ou pour sortir ou rentrer le chasse-neige. Ouvrir les portes, les gaz d'échappement sont mortels.
10. Ne pas tenter de déneiger en travers de terrains en pente. Faire extrêmement attention lors de changement de direction sur des pentes. Ne pas tenter de déneiger des pentes abruptes.
11. Ne jamais utiliser le chasse-neige sans les protecteurs, plaques ou autres dispositifs de sécurité.
12. Ne jamais utiliser le chasse-neige près de vitrines, d'automobiles, de rebords de fenêtre, de surplombs, avant d'avoir réglé convenablement l'angle de la goulotte d'éjection. Garder les enfants et les animaux domestiques à l'écart.
13. Ne pas surcharger l'appareil en tentant de déneiger à un régime trop rapide.
14. Ne jamais utiliser le chasse-neige à des vitesses élevées sur des surfaces glissantes. Faire très attention lors de l'utilisation en marche arrière.
15. Ne jamais diriger la goulotte d'éjection vers des passants et ne permettre à personne de se tenir en avant de l'appareil.
16. Débrayer la vis sans fin lorsque le chasse-neige est transporté ou n'est pas utilisé.
17. N'utiliser que les accessoires approuvés par le fabricant pour le chasse-neige (comme masses d'alourdissement, contrepoids, cabine et autres).
18. Ne jamais utiliser le chasse-neige lorsque l'éclairage est insuffisant ou qu'il fait noir. Toujours conserver une bonne prise, un bon maintien sur le guidon et marcher, ne jamais courir.
19. Ne jamais se pencher. Conserver un bon équilibre.
20. Ne jamais utiliser le chasse-neige sur un toit.



DANGER: Ne pas approcher les mains, les pieds ni les vêtements de la vis sans fin pour éviter tout risque de blessures.

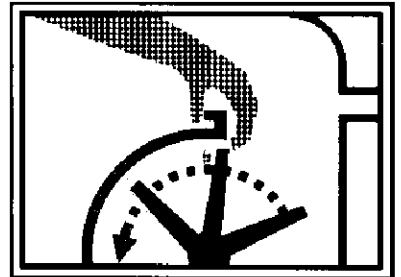


ENTRETIEN ET REMISAGE

1. Vérifier le serrage des boulons de cisaillement et autres boulons, à intervalles réguliers, pour s'assurer que l'équipement est en bon état de marche.
2. Ne jamais remiser le chasse-neige contenant de l'essence dans le réservoir dans un bâtiment où il existe des sources de flammes ou d'étincelles comme chauffe-eau, radiateur, séchoir à vêtements et autres. Laisser refroidir le moteur avant de le remiser.
3. Toujours se reporter aux instructions du manuel si le chasse-neige doit être remisé pendant une longue période.
4. Conserver les étiquettes d'instructions et de sécurité en bon état et les remplacer au besoin.
5. Laisser le chasse-neige en marche pendant quelques minutes après le déneigement pour éviter à la turbine de geler.



DANGER: ne pas débarrasser la goulotte d'éjection à la main.



- Arrêter le moteur et la turbine avant d'éliminer les débris.
- Ne pas marcher devant la machine au travail.
- Ne pas projeter la neige vers d'autres personnes.
- Éloigner les personnes et les animaux domestiques de la machine au travail.
- Avant de laisser la machine sans surveillance, arrêter le moteur et retirer la clé de contact.

AVIS AU CLIENT

DATE D'ACHAT: _____

N° DE MODÈLE: _____

N° DE SÉRIE: _____

ADRESSE DU MAGASIN D'ACHAT: _____

VILLE: _____ PROVINCE: _____

TÉLÉPHONE : _____

-Noter les renseignements ci-dessous pour l'identification de la machine en cas de perte ou de vol.

Puissance	5 HP
Contenance du réservoir d'essence	2 quarts (2 litre)
Contenance du carter d'huile (5W30)	21 oz (630 ml)
Bougie: (écartement 0,030 po.)	Champion RJ19LM
Pression de gonflage des pneus	24 PSI (1,687 kg/cm ²)
Vérifier la pression de gonflage des pneus. La pression dégonflage maximale est indiquée sur le flanc du pneu. ne pas excéder la pression de gonflage indiquée.	

CONTRAT D'ENTRETIEN

La **Garantie Craftsman**, plus un **contrat d'entretien** sont la meilleure protection des produits Sears. Consulter le magasin Sears le plus proche pour tous les détails.

RESPONSABILITÉS DU CLIENT

Lire et observer les règles de sécurité.

Respecter le calendrier d'entretien régulier.

Suivre les instructions données au chapitre "**Responsabilités du client**" et "**Remisage**" de ce Manuel.

CHASSE-NEIGE À ROUES

GARANTIE LIMITÉE DE 2 ANS POUR LE CHASSE-NEIGE CRAFTSMAN

Pour une période de deux (2) ans, suivant la date d'achat, Sears Canada Inc. réparera ou remplacera, selon son choix, gratuitement, toute pièce reconnue comme comportant un défaut de matière première ou de fabrication.

UTILISATION À DES FINS COMMERCIALES OU DE LOCATION

Lorsque le chasse-neige est utilisé à des fins commerciales ou de location, la période de garantie est de 90 jours après la date d'achat.

EXCLUSIONS À LA GARANTIE

1. Montage avant la livraison.
2. Les pièces soumises à l'usure durant le fonctionnement normal, comme les courroies, bougies, filtre, axes de cisaillement, ainsi que les dégâts provoqués au moteur par l'utilisation du chasse-neige avec de l'huile en quantité insuffisante.
3. Le remplacement ou la réparation de pneus endommagés par des corps étrangers comme des clous, des épines, des souches d'arbre ou du verre.
4. Réparation à domicile.

Si cet équipement requiert une intervention au titre de la garantie, le renvoyer au centre de service Sears canadien le plus proche. Cette garantie n'est en vigueur que lorsque le chasse-neige est utilisé au Canada.

Cette garantie s'ajoute à toute garantie légale et n'exclut ni limite les droits légaux de l'acheteur, mais est complémentaire aux lois provinciales en vigueur. De plus, parce que certaines provinces ne permettent pas de limite de durée des garanties implicites, les limites stipulées ci-dessus peuvent ne pas s'appliquer à l'acheteur.

SEARS CANADA INC., TORONTO, ONTARIO M5B 2B8

TABLES DES MATIÈRES

CONSEILS DE SÉCURITÉ	2	COMME REQUIS	17
AVIS AU CLIENT	4	LUBRIFICATION AVANT REMISAGE	17
MONTAGE	6	LUBRIFICATION – TOUTES LES 25 HEURES	18
OUTILS REQUIS POUR LE MONTAGE	6	MOTEUR	19
CARTON D'EXPÉDITION	6	RÉGLAGES/RÉPARATIONS	20
SAC DE PIÈCES CONTENANT	6	RÉGLAGE DE LA HAUTEUR DU BOÎTIER DE LA VIS SANS FIN	20
DÉBALLAGE	7	RÉGLAGE DU BORD D'ATTAQUE	20
MONTAGE DE LA GOULOTTE	8	RÉGLAGE DES PATINS	20
MONTAGE DE LA POIGNÉE SUPÉRIEURE ET DE LA MANIVELLE	9	RÉGLAGES DES COURROIES	21
BRANCHEMENT DES CÂBLES DE COMMANDE ...	9	COURROIE DE COMMANDE DES ROUES	21
ENSEMBLE POMMEAU DU SÉLECTEUR	10	COURROIE DE LA VIS SANS FIN	21
UTILISATION	10	REMPACEMENT DES COURROIES	21
COMMANDES DU MOTEUR ET DU CHASSE-NEIGE	10	COURROIE DE LA VIS SANS FIN	21
UTILISATION DU CHASSE-NEIGE	11	COURROIE DE COMMANDE DES ROUES	21
GOUPILLE DE BLOCAGE DE ROUE	12	RÉGLAGE DES GUIDE DE COURROIE	22
AVANT LA MISE EN MARCHÉ DU MOTEUR	13	RÉGLAGE DES CÂBLES DE COMMANDE DES ROUES ET DE LA VIS SANS FIN	22
VÉRIFICATION DE L'HUILE	13	RÉGLAGE DU DISQUE DE FRICTION	23
REMPHIR D'ESSENCE	13	REMPACEMENT DU DISQUE DE FRICTION	24
AVANT L'ARRÊT	13	REMISAGE	26
MISE EN MARCHÉ DU MOTEUR	13	TABLEAU DE DIAGNOSTIC	27
CONSEILS D'UTILISATION	15	PIÈCES DE RECHANGE (DANS LA PARTIE ANGLAISE DU MANUEL)	28
CALENDRIER D'ENTRETIEN	16	COMMENT OBTENIR DES PIÈCES DE RECHANGE .	28
RESPONSABILITÉS DE CLIENT	17	ENTRETIEN ET PIÈCES DE RECHANGE	29
CHASSE-NEIGE	17		

MONTAGE

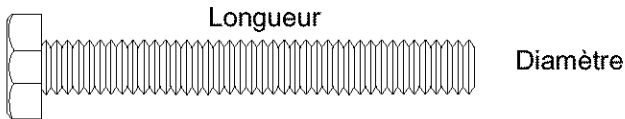
OUTILS REQUIS POUR LE MONTAGE

- 1 – couteau
- 2 – clés 1/2 po (ou clés a molette)
- 2 – clés 9/16 po (ou clés a molette)
- 2 – clés 3/4 po (ou clés a molette)
- 1 – paire de pinces ou 1 tournevis (pour écarter les goupilles fendues)

CARTON D'EXPEDITION

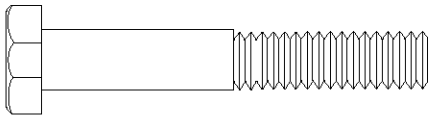
- 1 – chasse-neige
- 1 – Bouteille de stabilisateur
- 1 – Ensemble de déversoir
- 1 – Sac de pièces détachées

COMMENT MESURER LES VIS

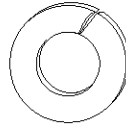


AVERTISSEMENT: Toujours porter des lunettes de sécurité ou une visière lors du montage du chasse-neige.

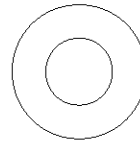
SAC DE PIÈCES CONTENANT



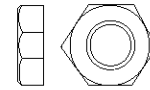
1– 5/16–18 X 2.00 Vis



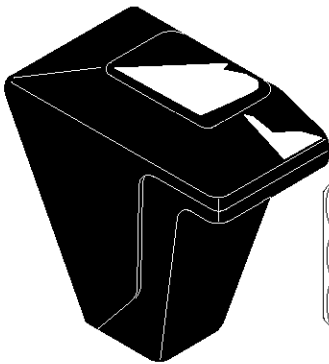
1– 5/16–18
Rondelle, Frein



1– 5/16–18
Rondelle, Plate



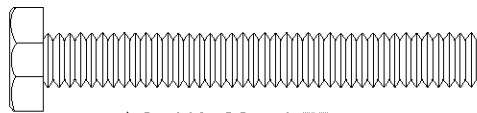
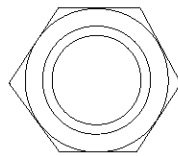
1– 5/16–18
Écrous



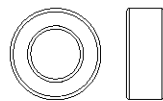
1– Pommeau



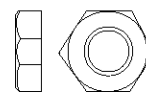
1– 1/2–13 Écrou Hexagonal



* 2–1/4–20 x 1.75



* 2–Entretoise



* 2–1/4–20
Écrou

*Les pièces ne servant pas au montage se trouvent dans la boîte à outils située sur le carter de courroie.

MONTAGE

La Figure 1 illustre le chasse-neige en position d'expédition.

La Figure 2 illustre le chasse-neige complètement monté.

Les références aux côtés droit et gauche s'entendent pour un observateur se tenant au guidon du chasse-neige et faisant face vers l'avant.

DÉBALLAGE

1. Repérer et retirer le stabilisateur d'essence et le sac des pièces détachées.

REMARQUE: Garder le stabilisateur en lieu sûr quand il n'est pas utilisé.

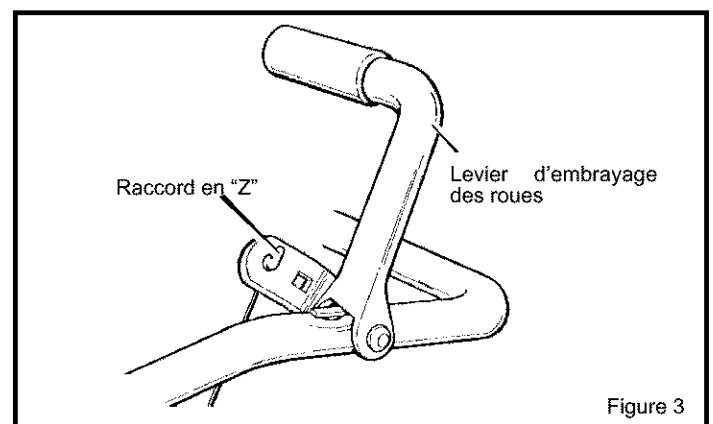
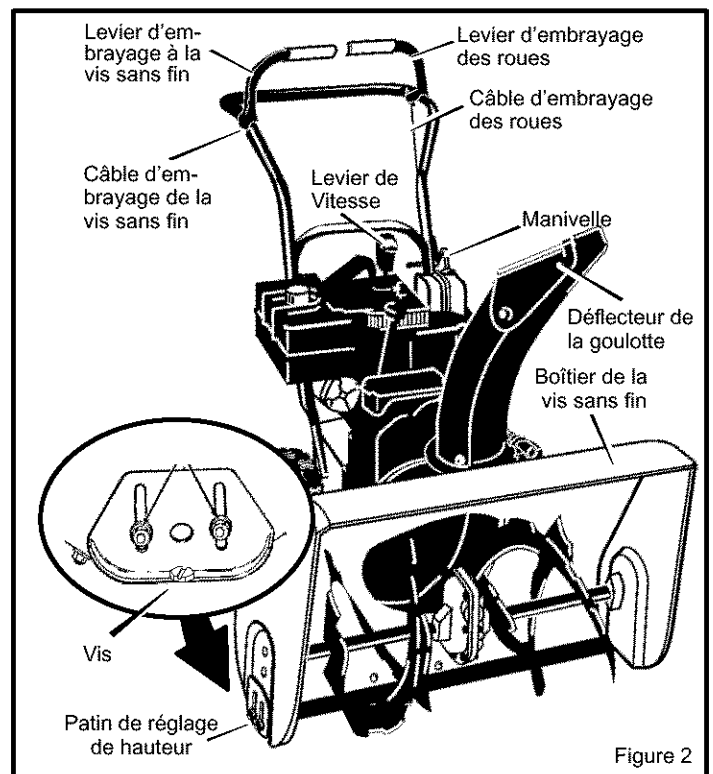
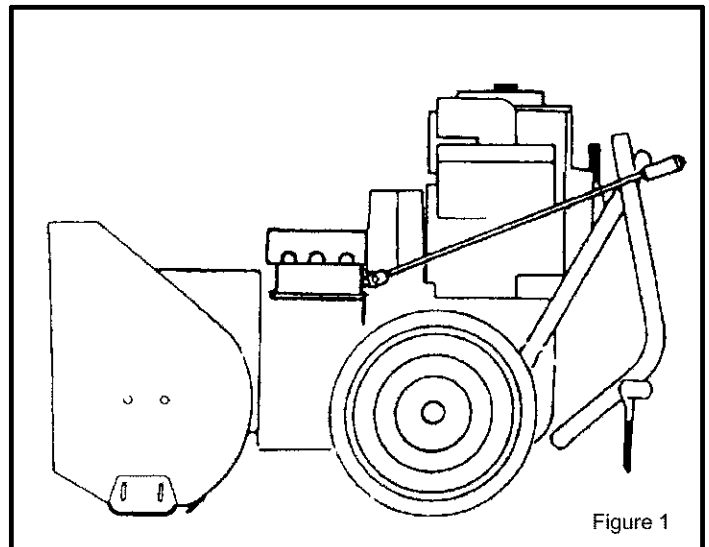
2. Couper le carton aux quatre coins de haut en bas et mettre les côtés à plat.
3. Repérer toutes les pièces qui ont été emballées séparément et les retirer de leur carton.
4. Retirer et jeter l'emballage qui se trouve autour du chasse-neige.
5. Pour faciliter le transport, les **patins de réglage de la hauteur** sont fixés sur la palette. Retirer les **vis** attachant chacun des **patins de réglage de la hauteur** à la palette.
6. Faire rouler le chasse-neige hors du carton en tirant sur le guidon inférieur.

ATTENTION: NE PAS rouler sur les fils.

7. Retirer l'emballage de l'ensemble guidon.
8. Couper les brides qui maintiennent les câbles de commande d'embrayage du guidon inférieur.

REMARQUE: Si les câbles ont été débranchés des leviers d'embrayage, reposer les câbles comme illustré en Figure 3.

F-001145J



MONTAGE

MONTAGE DE LA POIGNÉE SUPÉRIEURE ET DE LA MANIVELLE

1. Desserrer les vis, les rondelles plates, les rondelles de blocage et les écrous hexagonaux des orifices du haut de la poignée inférieure, sans les retirer.
2. Soulever la poignée supérieure et la mettre en position de fonctionnement. La poignée supérieure devrait être à l'extérieur de la poignée inférieure.

REMARQUE: S'assurer que les câbles ne se prennent pas entre la poignée inférieure et la poignée supérieure.

3. Installer les pièces fournies dans le sac (vis, rondelle plate, rondelle de blocage, écrou hexagonal) dans l'orifice droit du bas de la poignée supérieure (voir Figure 4). Ne visser qu'une fois que tous les boulons sont en place.
4. Installer les pièces fournies dans le sac (vis, rondelle plate, rondelle de blocage, écrou hexagonal) dans l'orifice droit du bas de la poignée supérieure (voir Figure 5). Ne visser qu'une fois que tous les boulons sont en place.

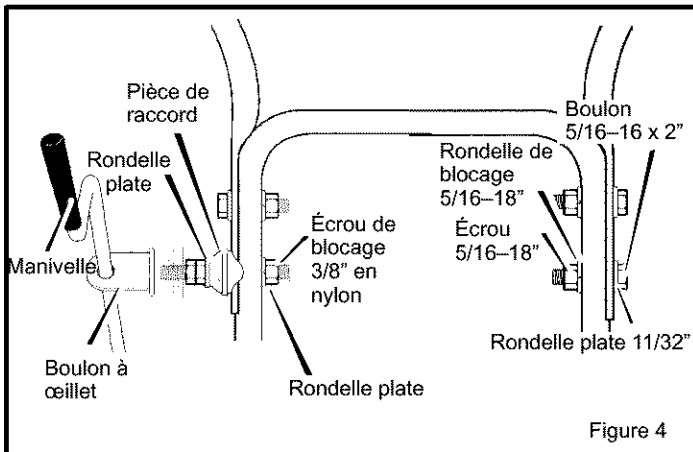


Figure 4

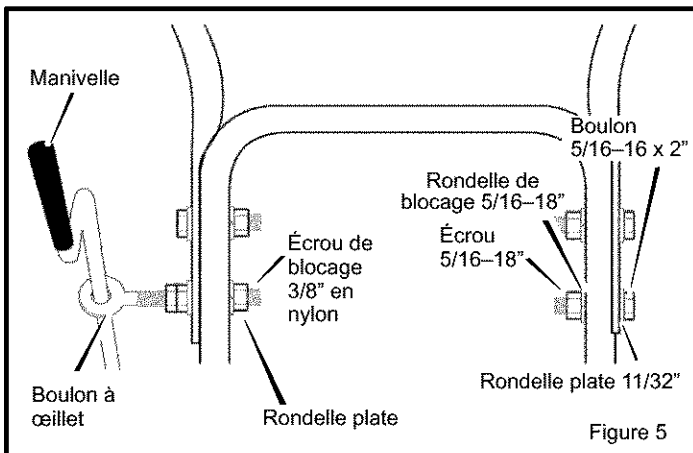


Figure 5

5. Repérer l'ensemble manivelle sorti de son emballage et retirer l'écrou de blocage 3/8" en nylon ainsi que la rondelle plate de l'ensemble de boulon à œillet.
6. Faire passer le boulon à œillet à travers l'orifice inférieur de la poignée gauche. (Voir Figure 4).
7. Faire passer le boulon à œillet à travers l'orifice inférieur de la poignée gauche. (Voir Figure 5).
8. Installer la rondelle plate 3/8" et l'écrou de blocage 3/8" en nylon.
9. Retirer avec précaution la goupille fendue, l'axe de montage, et le joint universel de la fourche de la manivelle (Figure 6).
10. Placer le joint universel dans la fourche de la vis sans fin en alignant les gros orifices. Introduire le joint universel (s'assurer que l'orifice de la goupille est aligné avec les petits orifices du joint universel).
11. Placer la chape de la fourche de la manivelle autour des orifices des joints universels de la fourche de la vis sans fin. Introduire l'axe de montage et fixer le tout avec la goupille fendue. Écarter les pattes de la goupille pour tenir le joint en place.
12. Serrer l'écrou sur le boulon à œillet, en alignant l'œillet avec la tige puis bien visser à l'intérieur.
13. Visser tous les boulons de la poignée.

REMARQUE: S'assurer que la manivelle ne touche par le couvercle du carburateur.

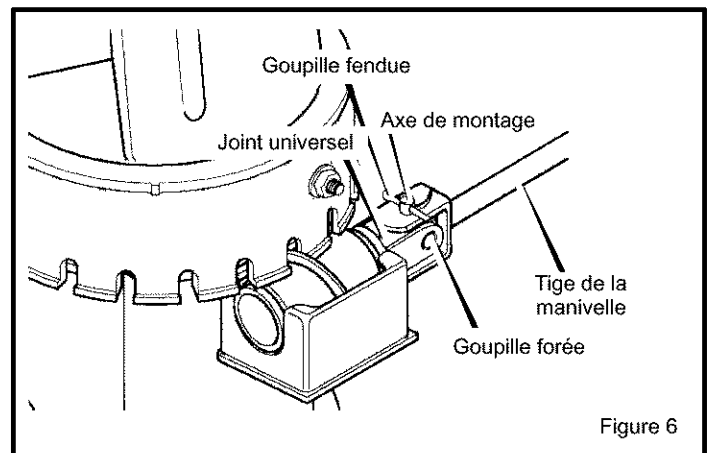


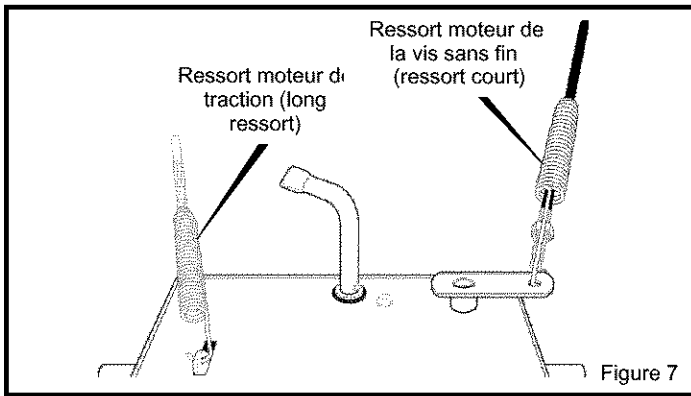
Figure 6

BRANCHEMENT DES CÂBLES DE COMMANDE

1. Si les câbles de commande se sont détachés du cadre du moteur, rebrancher les câbles comme indiqué en Figure 7.

2. Réglage éventuel, voir "Réglage Des Câbles de Commande des Roues" dans la section consacrée à la RÉGLAGES/REPARATIONS.

MONTAGE

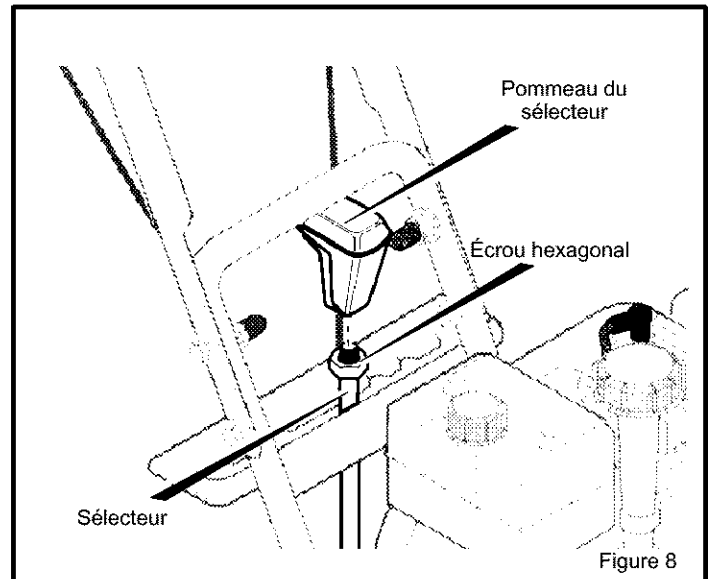


RÉGLAGE DE LA LONGUEUR DES CÂBLES

Les câbles ont été ajustés en usine et aucun réglage ne devrait être nécessaire. Cependant, lors de la mise des poignées en position de fonctionnement, les câbles peuvent être trop tendus ou trop lâches. Dans le cas où un réglage s'avère nécessaire, consulter la rubrique "Vérification et réglage des câbles" dans la section Maintenance et réglage.

ENSEMBLE POMMEAU DU SÉLECTEUR (FIGURE 8)

1. Visser l'écrou hexagonal, qui se trouve dans le sac des pièces détachées, au sélecteur. (voir Figure 8).
2. Visser le pommeau du sélecteur sur le bas du filet du sélecteur jusqu'à ce qu'il soit bien contre l'écrou hexagonal. Veiller à ce que la languette ne pointe pas vers le moteur.
3. Serrer l'écrou hexagonal contre le bas du pommeau du sélecteur.



REMARQUE : Ce chasse-neige a été expédié AVEC huile. Avant tout, consulter les instructions "Avant de démarrer le moteur" dans la section "Fonctionnement" de ce manuel.

UTILISATION

Apprendre à connaître le chasse-neige et ses commandes. Lire et bien comprendre les conseils de sécurité donnés en page 2.

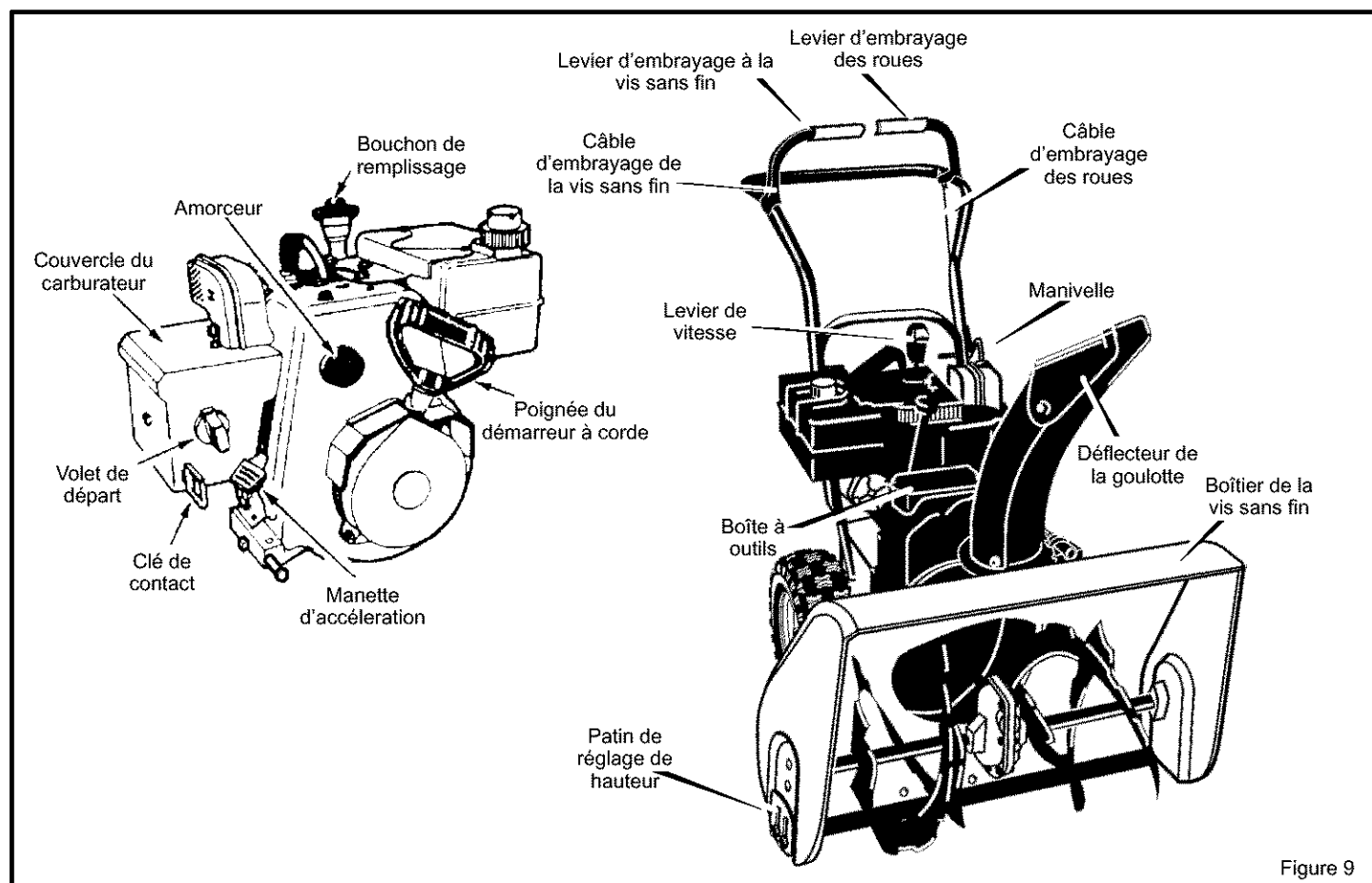


Figure 9

COMMANDES DU MOTEUR ET DU CHASSE-NEIGE

Les commandes du moteur et leurs fonctions sont expliquées ci-dessous.

Manette d'accélération – La manette d'accélération qui contrôle le régime du moteur est montée sur le moteur.

Levier du volet de départ – Placer le levier du volet de départ à la position "ON" pour la mise en marche du moteur à froid.

Amorceur – Ce bouton sert à injecter de l'essence directement dans le collecteur du carburateur pour faciliter la mise en marche par temps froid.

Clé de contact – Elle doit être insérée dans la fente prévue à cet effet afin de démarrer le moteur. Retirer la clé pour arrêter le moteur. Ne pas tourner cette clé.

Poignée du démarreur – Ce chasse-neige est équipé d'un démarreur à corde.

Les commandes du chasse-neige et leurs fonctions sont expliquées ci-dessous.

Levier de vitesse – Ce levier permet de choisir l'une des six (6) vitesses avant et des deux (2) vitesses arrière. Il suffit de placer le levier dans la position voulue.

REMARQUE: Ne pas manœuvrer ce levier lorsque les roues sont embrayées car le mécanisme d'embrayage serait sérieusement endommagé.

Levier d'embrayage de la vis sans fin – Ce levier sert à embrayer et à débrayer la vis sans fin et la turbine. Pousser le levier pour embrayer et le relâcher pour débrayer.

Levier d'embrayage des roues – Ce levier sert à embrayer et à débrayer la marche avant ou la marche arrière. Pousser le levier pour embrayer et le relâcher pour débrayer.

Déflecteur de la goulotte – Il change le sens d'éjection de la neige

Levier de commande du déflecteur à distance – Pousser le levier de commande à distance vers l'avant pour éjecter la neige en hauteur et à une grande distance. Tirer sur le levier de commande à distance pour éjecter la neige vers le bas.

Manivelle – La manivelle sert à orienter la goulotte. Tourner la manivelle dans le sens des aiguilles d'une montre pour tourner la goulotte vers la droite ou dans le sens inverse pour la tourner vers la gauche.

Patins – Les patins permettent de modifier la garde au sol du boîtier de la vis sans fin (voir "Réglages de patins" dans la partie Réglages/Réparation de ce manuel).

Boîte à outils – Vous y trouverez des goupilles de cisaillement et des entretoises.

UTILISATION



L'utilisation d'un chasse-neige peut provoquer la pénétration de corps étrangers dans les yeux et entraîner des blessures. Toujours porter des lunettes de sécurité ou une visière pour travailler avec le chasse-neige. Des lunettes de sécurité et des visières sont en vente dans les magasins de vente au détail.

UTILISATION DU CHASSE-NEIGE

L'utilisation la plus efficace du chasse-neige sera déterminée par l'expérience, en tenant compte de la nature du terrain, du vent et de la position des bâtiments, en particulier pour déterminer la direction d'éjection de la neige.

REMARQUE: Ne pas projeter la neige vers un bâtiment car des corps étrangers pourraient être pris par la vis sans fin et éjectés violemment.

1. Mettre le moteur en marche comme indiqué au paragraphe "Mise en marche du moteur".
2. Régler le déflecteur de la goulotte. Desserrer l'écrou à oreilles situé sur le côté de la goulotte et relever le déflecteur pour augmenter la distance d'éjection ou l'abaisser pour diminuer la distance d'éjection. Serrer l'écrou à oreilles (voir Figure 11).
3. Orienter la goulotte à l'aide de la manivelle pour projeter la neige dans le sens du vent.
4. Choisir la vitesse appropriée en fonction des conditions de travail comme indiqué ci-dessous et régler le levier de vitesse à la position voulue.

REMARQUE: Toujours relâcher la poignée d'embrayage des roues avant de manœuvrer le levier de vitesse.

La vitesse de déplacement est déterminée par les conditions de la neige. Choisir la vitesse en déplaçant le levier de vitesse dans la partie colorée du panneau comme indiqué ci-dessous.

Rouge Neige humide, lourde et très profonde

Orange Neige moyenne

Blanc Neige très légère

Vert Position de transport seulement

REMARQUE: Lors de déneigement de neige lourde et humide, il est conseillé de réduire la vitesse de déplacement, de maintenir le moteur à plein régime et de ne pas dégager la neige sur toute la largeur de la machine.

Pour tous renseignements supplémentaires se reporter à la section "Conseils d'utilisation" de ce manuel.

5. Embrayer la vis sans fin à l'aide de la poignée d'embrayage (droite—Figure 12).

IMPORTANT: S'assurer que personne ni aucun obstacle ne soit devant la machine avant d'embrayer la vis sans fin (Figure 12).

6. Embrayer la commande des roues avec la poignée gauche (Figure 12). Lorsque le chasse-neige commence à se déplacer, bien maintenir les poignées sur le guidon et guider le chasse-neige dans la direction voulue. Ne pas pousser le chasse-neige.



AVERTISSEMENT: Lire le manuel avant d'utiliser le chasse-neige. Cette machine peut être dangereuse si elle est mal utilisée.

Ne jamais utiliser le chasse-neige sans les protecteurs et les couvercles en place.

Ne jamais projeter la neige vers des fenêtres et ne laisser personne se tenir à proximité de la machine en marche.

Arrêter le moteur avant de laisser la machine sans surveillance.

Débrancher le fil de la bougie avant de débarrasser la neige de la goulotte ou de la vis sans fin et avant de procéder à toute intervention de réglage ou d'entretien. Retirer la clé de contact avant de quitter la machine. Retirer la clé de contact avant de s'éloigner de la machine.

Pour réduire les risques d'incendie éliminer l'essence renversée, l'huile ou les débris de la machine.

LE MOTEUR NE PEUT PAS DÉMARRER SANS LA CLÉ DE CONTACT DANS LA FENTE DU COUVERCLE DU CARBURATEUR. NE PAS TOURNER CETTE CLÉ.



Figure 10

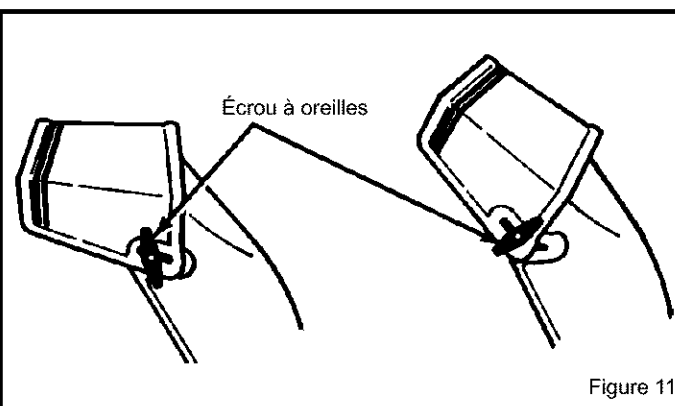


Figure 11

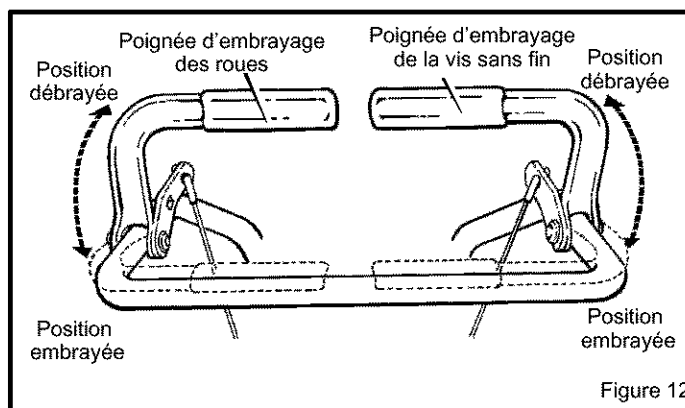


Figure 12

UTILISATION

7. Pour arrêter le déplacement de la machine, relâcher la poignée de l'embrayage des roues (poignée gauche – Figure 12).
8. Pour arrêter la vis sans fin, relâcher la poignée d'embrayage de la vis sans fin (poignée droite – Figure 12).
9. Pour faire reculer le chasse-neige, placer le levier de vitesse en première ou deuxième vitesse de marche arrière et embrayer les roues (poignée gauche). Pour arrêter le chasse-neige, relâcher la poignée d'embrayage.



AVERTISSEMENT: Ne jamais faire fonctionner le moteur à l'intérieur d'un local ou dans un endroit mal ventilé. Les fumées d'échappement contiennent de l'OXYDE DE CARBONE qui est un gaz INODORE et MORTEL.

Ne pas approcher les pieds, les mains les cheveux ou des vêtements lâches des pièces mobiles du moteur et du chasse-neige.

Le silencieux et les pièces avoisinantes peuvent atteindre une température de 150°F (66°C) Ne pas les toucher.

NE PAS permettre à des enfants d'utiliser le chasse-neige ou de se tenir à proximité lorsqu'il est en marche.

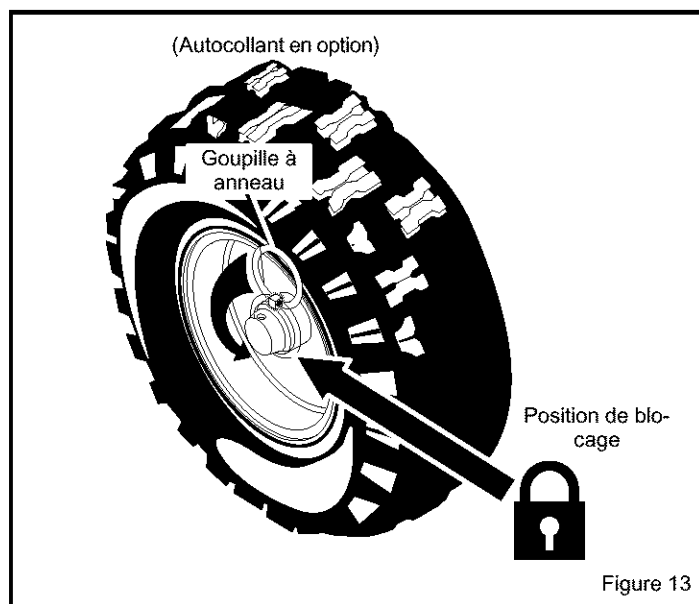


Figure 13

GOUPILLE DE BLOCAGE DE ROUE

1. La roue gauche est fixée à l'essieu par une goupille à anneau. Ce chasse-neige a été expédié avec la goupille en position de blocage (Figure 13).
2. Pour augmenter la maniabilité dans de la neige légère, retirer la goupille de sa position de blocage et l'engager dans le trou pour une roue motrice (Figure 14). S'assurer que la goupille est dans la position correspondant à une seule roue motrice et non pas en position de blocage.

REMARQUE: Pression de gonflage des pneus (24 pounds). La pression dégonflage maximale est indiquée sur le flanc du pneu. ne pas excéder la pression de gonflage indiquée.



AVERTISSEMENT: Ne pas retirer d'objets coincés dans la vis sans fin sans prendre les précautions suivantes:

- Débrayer la vis sans fin et les roues avec les poignées du guidon.
- Ramener la manette d'accélération à la position d'ARRÊT (STOP).
- Retirer la clé de contact.
- Débrancher le fil de la bougie.
- Ne pas engager les mains dans la vis sans fin ou la goulotte. Utiliser un morceau de bois ou de fer.

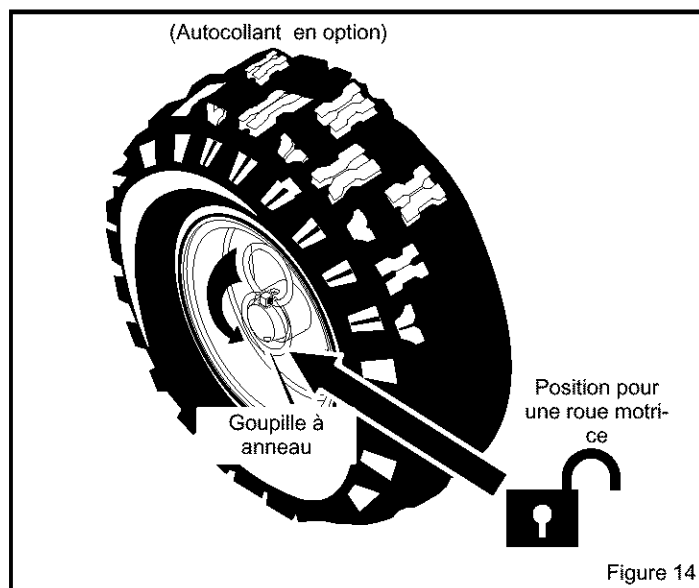


Figure 14

UTILISATION

AVANT LA MISE EN MARCHÉ DU MOTEUR

Vérification de l'huile

REMARQUE : le moteur a quitté l'usine rempli d'huile. Vérifier le niveau d'huile. En ajouter autant que nécessaire. Suivre les instructions du fabricant de ce moteur au sujet de l'utilisation de l'essence et de l'huile.

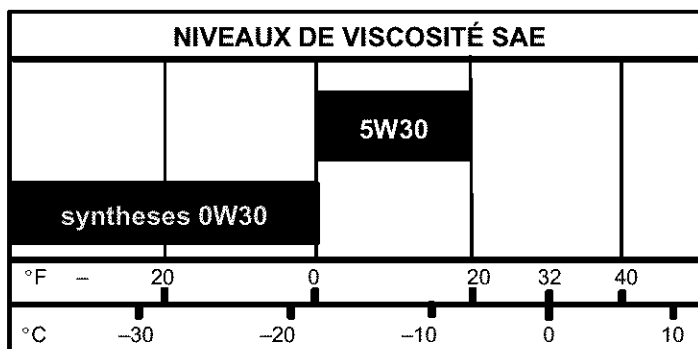
1. Veiller à ce que la chasse-neige soit à niveau.
REMARQUE : Ne pas inspecter le niveau d'huile lorsque la chasse-neige est en marche.
2. Retirer le bouchon de vidange et verser l'huile jusqu'à vérifier l'huile.
3. Si nécessaire, ajouter le bouchon de vidange et verser l'huile jusqu'à atteindre la marque FULL (plein) sur la jauge (Figure 15). Veiller à ne pas dépasser la marque indiquée.

REMARQUE: Pour des températures de 0°F (-18° C) et au dessous de 0°F, utiliser une huile de synthèse partielle 0W30 pour faciliter le démarrage.

REMARQUE: L'huile S.A.E. 5W30 conviendra pour des températures au dessous de 20° F (-7° C) to 0°F (-18° C).

REMARQUE: POUR L'HUILE PRÉCONISÉE, VOIR LE TABLEAU .

TEMPÉRATURE	TYPE d'HUILE
0°F (-18° C) et en dessous	Huile de moteur de synthèse 0 W30
Entre 20° F (-7° C) et 0° F (-18° C)	5W30 S.A.E.



REEMPLIR D'ESSENCE

1. Remplir le réservoir d'essence avec de l'essence ordinaire propre, de l'essence sans plomb ou de l'essence nouvelle formule. **NE PAS** utiliser de l'essence de plomb.

REMARQUE: L'essence d'hiver est plus volatile et facilite la mise en marche. S'assurer que le bidon d'essence est propre et ne contient aucune particule de rouille ni corps étrangers. Ne jamais utiliser d'essence qui a été stockée pendant trop longtemps.



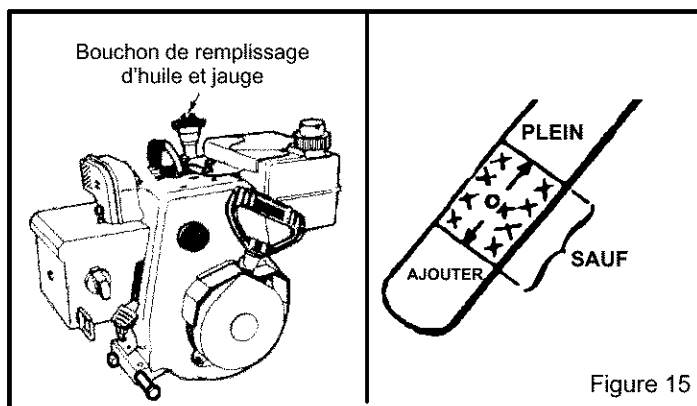
AVERTISSEMENT: NE PAS utiliser d'essence contenant de l'alcool car le moteur risquerait d'être sérieusement endommagé ou son rendement serait considérablement réduit.

2. S'assurer que la bougie est fermement serrée dans le moteur et que le fil est branché sur la bougie. Serrer la bougie au couple de 18 à 23 pi-lb.



AVERTISSEMENT: L'essence est inflammable et exige des précautions particulières. Ne pas remplir le réservoir du chasse-neige pendant que le moteur est en marche ou est encore chaud ou lorsque la machine est dans un local fermé. Ne pas approcher de flamme d'étincelles électriques et **NE PAS FUMER** pendant le remplissage du réservoir. Ne jamais remplir le réservoir complètement et laisser environ 1/4 à 1/2 po au sommet du réservoir pour la dilatation de l'essence. Toujours remplir le réservoir à l'extérieur d'un local et utiliser un entonnoir approprié. Essuyer l'essence renversée avant de remettre le moteur en marche.

Garder l'essence dans un récipient homologué et propre et maintenir le bouchon du récipient fermé. Garder l'essence dans un local frais et bien aéré jamais à l'intérieur d'une maison. Ne pas stocker de quantité d'essence supérieure aux besoins de 30 jours pour en maintenir la volatilité appropriée. L'essence est destinée à être utilisée comme carburant pour les moteurs à combustion interne, par conséquent ne jamais utiliser d'essence dans un autre but. Comme certains enfants aiment l'odeur de l'essence garder les récipients d'essence hors de leur portée car les émanations sont dangereuses à respirer et explosives.



AVANT L'ARRÊT

Faire tourner le moteur pendant quelques minutes pour sécher toute humidité présente.

Pour éviter le blocage potentiel du démarreur, procéder comme suit :

Lanceur à rappel automatique :

Lorsque le moteur tourne, tirer trois ou quatre fois, rapidement et de manière continue, sur la corde de démarrage.

REMARQUE: le son inhabituel émis en tirant sur la corde de démarrage ne nuira pas au moteur ou au démarreur.

MISE EN MARCHÉ DU MOTEUR

S'assurer que le moteur contient une quantité d'huile suffisante.

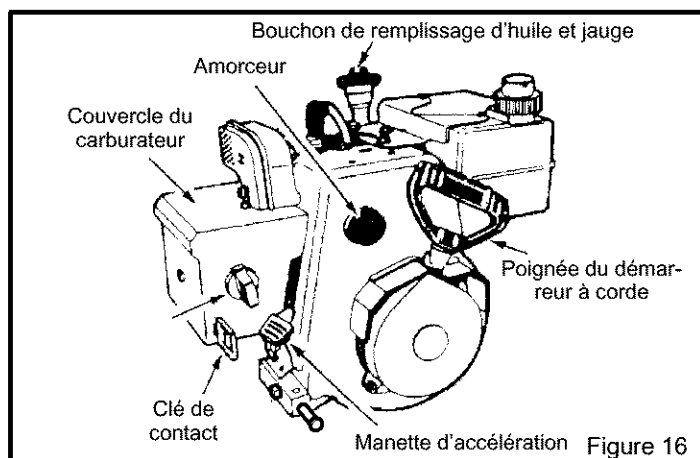
UTILISATION

Le moteur du chasse-neige est équipé d'un démarreur à corde.

MISE EN MARCHÉ DU MOTEUR FROID (DÉMARREUR À CORDE) (VOIR FIGURE 16)

(Moteur resté à l'arrêt pendant un certain temps)

1. S'assurer que la commande de la vis sans fin et la commande des roues sont débrayées et que les leviers respectifs sont RELÂCHÉS sur le guidon.



2. POUR DES TEMPÉRATURES AU DESSUS DE -18°C (0°F)

Placer la commande des gaz en position "FAST".

- POUR DES TEMPÉRATURES AU DESSOUS DE -18°C (0°F)

Placer la commande des gaz en position "1/2 ACCÉLÉR.". Avant d'engager la manette d'embrayage d'entraînement des lames, laisser le moteur chauffer pendant cinq minutes, en gardant l'unité immobile. Sinon, le moteur pourrait être endommagé.

3. Engager la clé de contact dans sa fente. S'assurer qu'elle est bien enclenché. Ne pas tourner la clé.
4. Tourner le bouton du volet de départ à la position allumé. Ne pas appuyer sur l'amorceur.

REMARQUE: Ne pas enclencher le volet de départ si le moteur est chaud (Voir "Mise en marche du moteur chaud").

5. Appuyer deux fois sur l'amorceur. Ne pas utiliser l'amorceur si la température est au-dessus de 50°F . Amorceur deux fois si la température est entre 50°F et 15°F . Amorceur quatre fois si la température est au-dessous de 15°F .

REMARQUE: Couvrir les trous d'aération lorsque l'on appuie sur le bouton d'amorçage. Retirer le doigt des trous d'aération entre chaque pression.

6. Tirer rapidement sur la manette de démarrage (Figure 16), et la laisser se rembobiner lentement tout en la maintenant fermement.

7. Pendant le réchauffement du moteur, tourner lentement le bouton du volet de départ vers la position 1/2 allumé. Si le moteur a des ratés, fermer le volet de départ à mi-course jusqu'à ce que le moteur tourne normalement. Le placer ensuite à la position éteint.

REMARQUE: Laisser le moteur chauffer pendant quelques minutes avant de souffler la neige lorsque les températures sont au-dessous de 0°F (-18°C).

8. Faire fonctionner le moteur à son régime maximum ou presque.
9. Pour arrêter le moteur, ramener la manette d'accélération à la position d'arrêt. Retirer la clé. Ne pas tourner la clé.

MISE EN MARCHÉ DU MOTEUR CHAUD (DÉMARREUR À CORDE)

(Moteur encore chaud d'une récente utilisation)

1. S'assurer que la commande de la vis sans fin et la commande des roues sont débrayées et que les leviers respectifs sont RELÂCHÉS sur le guidon.

2. POUR DES TEMPÉRATURES AU DESSUS DE -18°C (0°F)

Placer la commande des gaz en position "FAST".

- POUR DES TEMPÉRATURES AU DESSOUS DE -18°C (0°F)

Placer la commande des gaz en position "1/2 ACCÉLÉR.". Avant d'engager la manette d'embrayage d'entraînement des lames, laisser le moteur chauffer pendant cinq minutes, en gardant l'unité immobile. Sinon, le moteur pourrait être endommagé.

3. Engager la clé de contact dans sa fente. S'assurer qu'elle est bien enclenché. Ne pas tourner la clé.
4. Tourner le bouton du volet de départ à la position éteint. Ne pas appuyer sur l'amorceur.
5. Tirer rapidement sur la manette de démarrage (Figure 16), et la laisser se rembobiner lentement tout en la maintenant fermement.
6. Si le moteur ne démarre pas après plusieurs tentatives, tourner le bouton du volet de départ sur la position allumé et répéter les opérations du paragraphe.
7. Lorsque le moteur démarre, tourner graduellement le bouton du volet de départ jusqu'à la position éteint.

REMARQUE: Laisser le moteur chauffer pendant quelques minutes avant d'évacuer la neige lorsque les températures sont au-dessous de 0°F (-18°C).

8. Faire tourner le moteur à son régime maximum ou presque.
9. Pour arrêter le moteur, ramener la manette d'accélération à la position d'arrêt. Retirer la clé. Ne pas tourner la clé.

Pour éviter le gel possible du démarreur à corde ou des commandes du moteur, procéder comme suit après chaque utilisation du chasse-neige.

UTILISATION

1. Avec le moteur en marche, tirer fortement sur la corde du démarreur d'un mouvement continu trois ou quatre fois. Cette manœuvre produira un bruit fort qui n'indique aucune anomalie ni dégât au moteur ou au démarreur.
2. Avec le moteur à l'arrêt, essuyer toute la neige et l'humidité du levier de couvercle du carburateur à proximité du levier de commande. Manœuvrer également les leviers sur toute leur course plusieurs fois.
5. Normalement, régler les patins à 1/8 pouce (3mm) sous le bord d'attaque. Dans de la neige très dure et tassée, les patins peuvent être réglés vers le haut pour mieux nettoyer les surfaces enneigées.
6. Sur des surfaces de gravier, les patins doivent être réglés à 1-1/4 pouce (32mm) sus le bord d'attaque (Voir "Réglage des patins"). De cette façon, le gravier ne sera pas pris par la vis sans fin ni soufflé par la machine.

IMPORTANT: Après chaque utilisation du chasse-neige, arrêter le moteur, retirer la clé de contact, éliminer les accumulations de neige et essuyer la machine. Ranger le chasse-neige dans un endroit protégé.

REMARQUE: Ne jamais couvrir le chasse-neige lorsque le moteur et le système d'échappement sont encore chauds.

CONSEILS D'UTILISATION

1. Pour obtenir le meilleur rendement du chasse-neige régler la vitesse de déplacement, sans toucher au régime du moteur. **NE PAS OUBLIER** que si les roues patinent, la vitesse d'avancement doit être réduite. Le moteur est prévu pour fonctionner au mieux à plein régime et doit toujours être maintenu au régime maximum.
2. Les meilleurs résultats s'obtiennent lorsque le travail s'effectue immédiatement après une chute de neige.
3. Faire légèrement chevaucher les différents passages du chasse-neige.
4. Souffler le neige dans le sens du vent dans toute la mesure du possible.
7. À la fin du travail, laisser le moteur tourner au ralenti pendant quelques minutes pour faire fondre la neige et la glace accumulée sur le moteur.
8. Éliminer la glace et la neige de la machine pour éviter les obstructions et les dégâts possibles lors de l'utilisation suivante.
9. Avant de mettre le chasse-neige en marche, toujours vérifier que les vis sans fin et la turbine ne sont pas obstruées par des accumulations de glace et/ou de débris qui pourraient provoquer des dégâts au chasse-neige.
10. Vérifier le niveau d'huile avant chaque mise en marche. Remplir d'huile jusqu'au repère identifié "SAFE" avant d'utiliser le chasse-neige.

Procéder comme suit pour éviter le givrage du démarreur.

Démarreur à corde:

Le moteur étant en marche, tirer à fond sur la corde du démarreur d'un mouvement rapide trois ou quatre fois.

REMARQUE: Le bruit inhabituel que cette opération provoque n'entraîne aucun inconvénient pour le moteur ou le démarreur.

CALENDRIER D'ENTRETIEN

CALENDRIER D'ENTRETIEN									
PROCÉDURE		APRÈS LES 2 PRE- MIÈRES HEURES	AVANT CHAQUE UTILISA- TION	FRÉQUEM- ENT	TOUTES LES 5 HEURES	TOUTES LES 10 HEURES	TOUTES LES 25 HEURES	AU DÉBUT DE CHAQUE SAISON	AVANT LE REMISAGE
C H A S S E N E I G E	Serrage de tous le écrous et vis	√		√				√	
	Vérification du câble d'embrayage des roues (voir "Réglage des câbles")	√						√	
	Vérification du câble d'embrayage de la vis sans fin (voir "Réglage des câbles")	√						√	
	Lubrifier les chaînes et l'arbre hexagonal							√	√
M O T E U R	Vérification du niveau d'huile du moteur		√		√			√	
	Vidange de l'huile du moteur						√	√	

La garantie de ce chasse-neige ne couvre pas les pièces qui ont été soumises à des abus ou qui ont été négligées. Pour bénéficier de la garantie, l'utilisateur doit entretenir son chasse-neige selon les directives de ce manuel. Le **Calendrier d'entretien** suivant est destiné à aider l'utilisateur à entretenir le chasse-neige convenablement. Il ne s'agit que d'un tableau. Les réglages dont il est question sont expliqués au chapitre "Réglages/Réparations" de ce manuel.

APRÈS CHAQUE UTILISATION

1. Vérifier que les pièces ne soient pas lâches ou endommagées.
2. Resserrer les attaches si nécessaire.
3. Vérifier et maintenir en place la vis sans fin.
4. Après chaque utilisation, retirer toute la neige, même fondue, du chasse-neige afin d'empêcher le gel de la vis sans fin ou des commandes.
5. Vérifier les commandes afin de s'assurer qu'elles fonctionnent correctement.
6. Toute pièce endommagée ou lâche doit être remplacée immédiatement.

RESPONSABILITÉS DE CLIENT

Certains réglages sont nécessaires périodiquement pour maintenir le chasse-neige en bon état.

Tous les réglages indiqués au chapitre RÉGLAGES/RÉPARATIONS de ce manuel doivent être effectués au moins une fois par saison.

CHASSE-NEIGE

Les réglages suivants doivent être effectués plus d'une fois par saison.

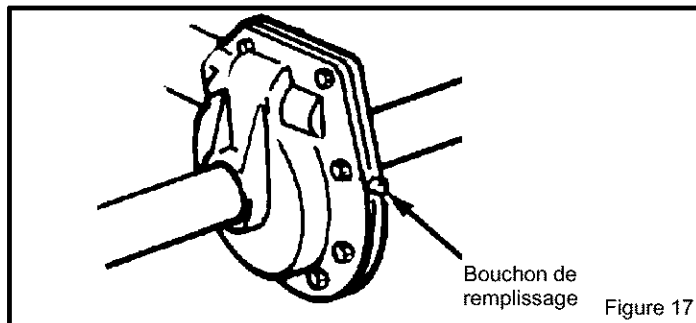
Courroies de la vis sans fin et des roues – Vérifier la tension des courroies après les 2 à 4 premières heures d'utilisation et à la mi-saison par la suite. Vérifier ensuite deux fois par saison. (Voir le paragraphe "Réglages des courroies" dans la section Réglages/Réparations)

COMME REQUIS

Boîtier de renvoi de la vis sans fin

Le boîtier de renvoi de la vis est graissé en usine et n'exige aucun graissage supplémentaire.

Si, pour une raison quelconque, la graisse a fui ou si le boîtier de renvoi a été réparé, ajouter de la graisse Lubriplate GR132 ou une graisse équivalente. La contenance maximale est de 3-1/4 oz (92 g).



Déposer le bouchon de remplissage (Figure 17) une fois par an. Si la graisse est visible, ne pas en ajouter. Si la graisse n'est pas visible, faire pénétrer un morceau de fil de fer dans le boîtier pour déterminer s'il contient de la graisse. Les graisses Mobilux EP1 et Shell Aldania EP1 sont des graisses appropriées.

LUBRIFICATION AVANT REMISAGE

Roulements et Bagues

Tous les roulements et les bagues sont graissés à vie et n'exigent aucun entretien.

Arbres hexagonaux et chaînes

Pour le remisage, l'arbre hexagonal doit être enduit d'huile moteur pour prévenir la rouille. (Voir Figure 19).

Avant le remisage, les chaînes devraient être lubrifiées avec de la graisse prévue à cet effet. (Voir Figure 19).

REMARQUE: Tout graissage ou huilage des pièces mentionnées ci-dessus peut provoquer la détérioration du disque en caoutchouc. Si ce disque ou le plateau de commande entre en contact avec de la graisse ou de l'huile, le caoutchouc sera endommagé.

Si le disque ou plateau de commande entre en contact avec de la graisse ou de l'huile, bien laver le disque ou le plateau avec un produit solvant à base d'alcool.

RESPONSABILITÉS DE CLIENT

LUBRIFICATION – TOUTES LES 25 HEURES

Plateau de commande du disque

Le lubrifier toutes les vingt-cinq (25) heures, à la fin de la saison, et/ou avant de la ranger.

Pour lubrifier:

1. Engager la première vitesse du sélecteur de vitesse.
2. Placer le chasse-neige sur l'extrémité du boîtier de la vis sans fin.

REMARQUE: lorsque le bloc-cylindre est rempli d'huile, ne pas laisser le chasse-neige debout appuyé sur le carter de la fraise pendant une durée prolongée.

3. Déposer le panneau de dessous.
4. Faire tourner à la main le plateau de commande du disque de dessous dans le sens des aiguilles d'une montre jusqu'à ce que le graisseur soit bien visible au centre (Voir Figure 18).
5. Pour éviter que le disque de friction de caoutchouc entre en contact avec le plateau de commande du disque, placer une pièce de monnaie (ou une cale d'épaisseur égale) entre le disque de friction de caoutchouc et le plateau de commande du disque.
6. Pour le graissage, utiliser un pistolet à graisse et de la graisse à haute température EP Moly. Voir les détails en Figure 18. **NE PAS** verser de quantité excessive d'huile et **ÉVITER** que de la graisse entre en contact avec le plateau de commande ou le disque car cela endommagerait le caoutchouc. Remplir le graisseur jusqu'à ce que la graisse apparaisse sous le support situé sous le graisseur.
7. Retirer la pièce de monnaie utilisée à l'étape 5. S'assurer qu'il existe un écart entre le disque de friction de caoutchouc et le plateau de commande du disque.

REMARQUE: Nettoyer l'excès de graisse sur le disque de friction.

REMARQUE: Éviter que de la graisse entre en contact avec le disque en caoutchouc et le plateau du disque de commande.

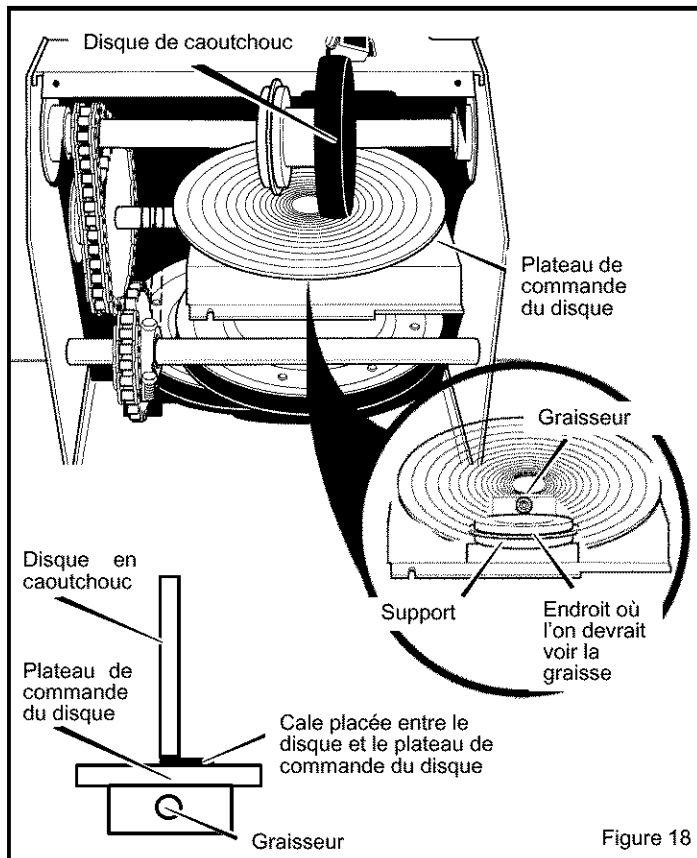
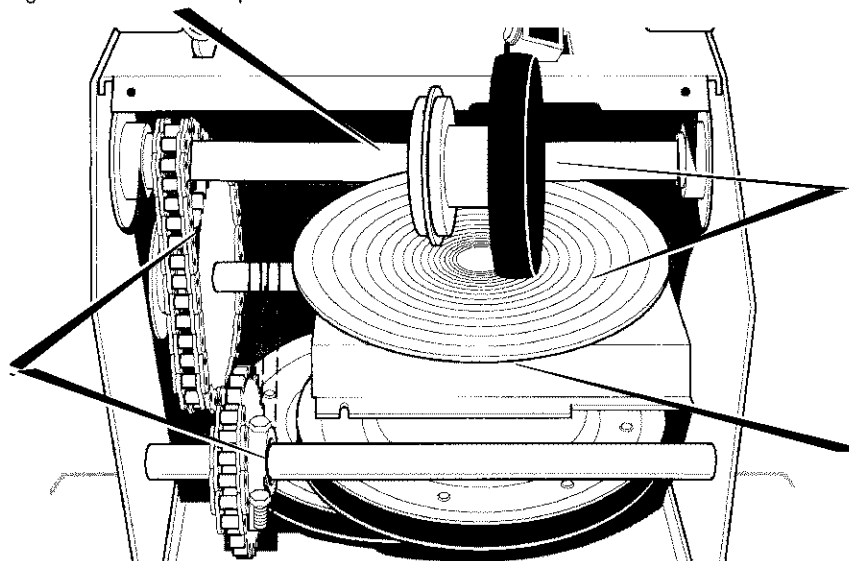


Figure 18

Arbre hexagonal – à nettoyer avec de l'huile 5W30 avant remisage et au début de chaque saison

Chaînes—Lubrifier les chaînes avec de la graisse prévue à cet effet avant remisage et au début de chaque saison.



AVERTISSEMENT: Si le disque ou le plateau de commande entre en contact avec de la graisse ou de l'huile, le caoutchouc serait endommagé.

Si le disque ou le plateau de commande entre en contact avec de la graisse ou de l'huile, veiller à ce que le disque ou le plateau soit bien nettoyé avec un solvant à base d'alcool.

Utiliser un pistolet à graisse et de la graisse à haute température EP Moly pour lubrifier le graisseur du disque toutes les 25 heures.

Figure 19

RESPONSABILITÉS DE CLIENT

MOTEUR

Vérifier le niveau d'huile du carter: (Figure 20) avant de mettre le moteur en marche et ensuite toutes les 5 heures d'utilisation. Compléter le niveau avec de l'huile moteur au besoin. Resserrer fermement le bouchon de remplissage et la jauge après la vérification du niveau.

REMARQUE: Une quantité d'huile excessive peut affecter le fonctionnement du moteur. Resserrer fermement le bouchon de remplissage d'huile pour éviter les fuites.

Vidange d'huile – Vidanger l'huile après les deux premières heures d'utilisation et toutes les vingt-cinq heures par la suite ou au moins une fois par an même si le chasse-neige n'accumule pas vingt-cinq heures d'utilisation par saison. Utiliser une huile détergente de bonne qualité et propre. Remplir le carter jusqu'au repère de la jauge identifié "FULL" (0,77 L pour les moteurs 10 HP et 0,83 L pour les 12 HP) (voir Figure 20). L'huile doit correspondre aux désignations "SF" ou degré API supérieur de l'API. Ne pas utiliser d'huile SAE 10W40 (cette huile n'effectue pas un bon graissage). Par températures inférieures à 0°C ou 32°F utiliser de l'huile SAE5W30. (L'huile SAE10W peut également être utilisée). Par températures inférieures à -18°C ou 0°F, de l'huile SAE0W30.

Vidange de l'huile – Placer le chasse-neige de sorte que le bouchon de vidange d'huile soit au point le plus bas du moteur. Déposer le bouchon de vidange et le bouchon de remplissage et vidanger l'huile dans un récipient approprié (Figure 21).

REMARQUE: L'huile se vidange mieux lorsqu'elle est chaude.

Remonter le bouchon de vidange et le serrer fermement. Remplir le carter avec de l'huile moteur, ou comme indiqué au paragraphe précédent de ce chapitre.

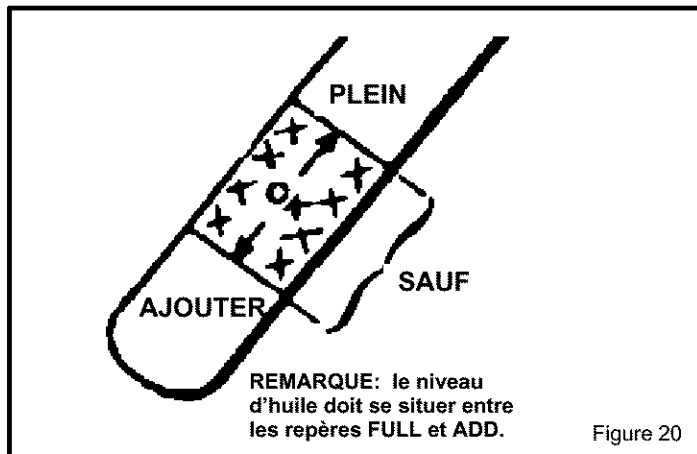


Figure 20

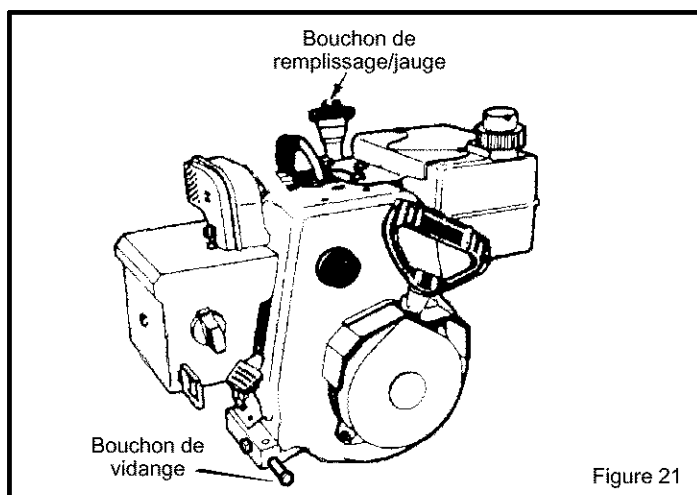


Figure 21

NIVEAUX DE VISCOSITÉ SAE	
	5W30
synthese 0W30	
°F	20 0 20 32 40
°C	-30 -20 -10 0 10

REGLAGES/REPARATIONS



AVERTISSEMENT: Toujours débrancher le fil de la bougie et l'écarter de la bougie avant de procéder à toute réparation ou à tout réglage .

RÉGLAGE DE LA HAUTEUR DU BOÎTIER DE LA VIS SANS FIN

RÉGLAGE DU BORD D'ATTAQUE

Après une longue utilisation, le bord d'attaque métallique s'usera. Le bord d'attaque et les patins doivent toujours être réglés pour placer le bord d'attaque à 1/8 po (3 mm) au-dessus de la surface à déneiger.

Procéder comme suit pour régler le bord d'attaque.

1. Arrêter le chasse-neige sur une surface horizontale.
2. Desserrer les boulons et les écrous qui fixent le bord d'attaque au boîtier de la vis sans fin.
3. Régler le bord d'attaque à la position appropriée. Resserrer les boulons et les écrous en s'assurant que le bord d'attaque est parallèle à la surface du sol.
4. Pour en prolonger l'utilisation, le bord d'attaque peut être retourné. Si le bord d'attaque doit être remplacé à la suite d'une usure excessive, déposer les boulons et les écrous et monter un bord d'attaque neuf.

RÉGLAGE DES PATINS

Ce chasse-neige est équipé de deux patins situés de chaque côté du boîtier de la vis sans fin. Ces patins permettent de régler la hauteur du boîtier.

Lorsque le travail s'effectue sur une surface dure comme une allée pavée par exemple, régler les patins vers le haut pour descendre le boîtier de la vis sans fin plus près du sol.

Lorsque le travail s'effectue sur des allées en gravier ou de construction irrégulière, relever l'avant du chasse-neige en descendant les patins. Cette position empêchera la vis sans fin de prendre du gravier ou d'autres débris et de les projeter avec la neige.

Pour régler les patins procéder comme suit.

1. Placer une cale (de hauteur égale à la hauteur de travail souhaitée) sous le bord d'attaque, à côté de chaque patin.
2. Desserrer les écrous du patin (Figure 22) et descendre le patin jusqu'à ce qu'il touche le sol. Resserrer les écrous.
3. Régler le patin de l'autre côté à la même hauteur.

REMARQUE: S'assurer que le chasse-neige est réglé à la même hauteur des deux côtés.



AVERTISSEMENT: Toujours maintenir une garde au sol appropriée en fonction de la surface de travail. Des objets comme du gravier, des pierres et d'autres débris peuvent être pris par la turbine et projetés avec une force suffisante pour provoquer des blessures ou des dégâts.

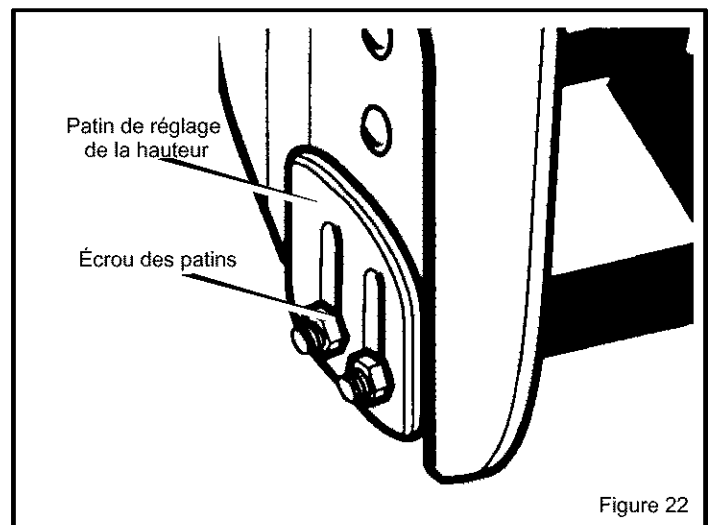


Figure 22

REGLAGES/REPARATIONS

RÉGLAGES DES COURROIES

Courroie de commande des roues

La courroie de commande des roues est soumise à la pression constante d'un ressort et n'exige aucun réglage.

Remplacer la courroie si elle patine (voir la section "Remplacement des courroies" dans ce manuel).

Courroie de la vis sans fin

Si votre chasse-neige n'éjecte pas la neige, vérifier le réglage du câble de commande. Ensuite, vérifier l'état de la courroie d'entraînement des lames. Si celle-ci est endommagée ou lâche, la remplacer (voir la section "Remplacement de courroie" dans ce manuel).

REMPACEMENT DES COURROIES

Démonte de la courroie de la vis sans fin

1. Débrancher le fil de la bougie.
2. Déposer le couvercle de la courroie.
3. Desserrer les **guides de courroie** et les écarter de la poulie de tension (voir Figure 23).
4. Desserrer le **boulon** de la **poulie libre**. Séparer la **poulie libre** de la **courroie d'entraînement de la fraise**.
5. Desserrer la courroie de la poulie de tension.
6. Retirer la courroie de la poulie de la turbine.
7. Installer la nouvelle courroie sur la poulie de la turbine.
8. Installer la nouvelle courroie sur la poulie de tension.
9. Régler les guides de courroie (voir la section "Réglage des guides de courroies").
10. Reposer le couvercle de courroie.
11. Rebrancher le fil de la bougie.

Courroie de commande des roues (voir Figure 23)

La courroie de commande des roues est soumise à la pression constante d'un ressort et n'exige aucun réglage. Si le chasse-neige n'avance pas, vérifier la courroie d'entraînement des roue pour détecter tout dommage ou toute usure. Si celle-ci est endommagée ou usée, la remplacer comme suit.

1. Débrancher le fil de la bougie.
2. Retirer la courroie d'entraînement de la fraise. Voir "Démontage de la courroie d'entraînement de la fraise" dans la section Entretien.
3. Dégager la poulie de tension de la courroie de commande des roues.
4. Retirer la courroie de commande des roues.

5. Installer une nouvelle courroie de commande des roues sur la poulie de commande des roues.
6. Dégager la poulie de tension de la courroie de commande des roues, de manière à pouvoir installer la courroie sur la poulie de tension.
7. Relâcher la poulie de tension et s'assurer que celle-ci est bien en contact avec la courroie.
8. Reposer la courroie de commande de la vis sans fin.
9. Monter et régler la **courroie d'entraînement de la fraise**. Voir "Démontage de la courroie d'entraînement de la fraise" dans la section Entretien.
10. Régler les guides de courroie (voir la section "Réglages des guides de courroies").
11. Reposer le couvercle de courroie.
12. Vérifier le réglage des câbles. Voir "Vérification du réglage des câbles" dans la section Entretien.
13. Rebrancher le fil de la bougie.

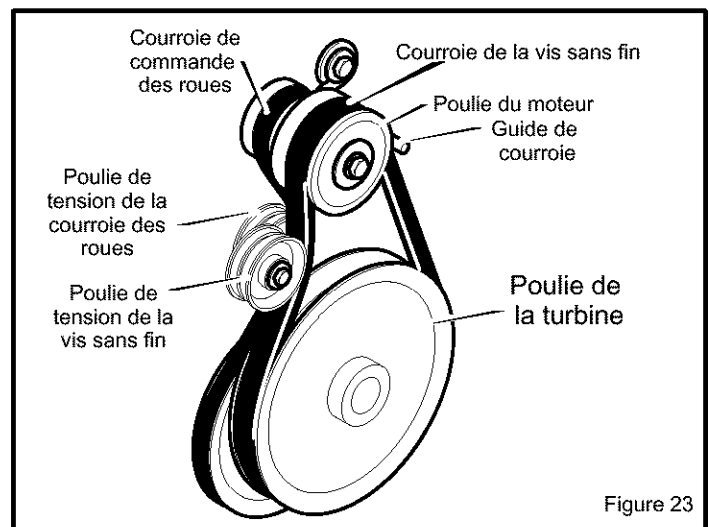


Figure 23

REGLAGES/REPARATIONS

RÉGLAGE DES GUIDE DE COURROIE (VOIR FIGURE 24)

1. Débrancher le fil de la bougie.
2. Demander à quelqu'un d'embrayer la vis sans fin avec la poignée du guidon.
3. Mesurer la distance entre le guide de courroie et la courroie. Cette distance doit être de 1/8 po (3.175 mm) pour le guide du côté gauche et de 1/4 po (6 mm) pour le guide de côté droit.
4. Si un réglage est nécessaire, desserrer les boulon de montage des guide et placer les guide à la position voulue. Resserrer ensuite les boulon.
5. Remonter le carter de courroie.
6. Rebrancher le fil de la bougie.

RÉGLAGE DES CÂBLES DE COMMANDE DES ROUES ET DE LA VIS SANS FIN

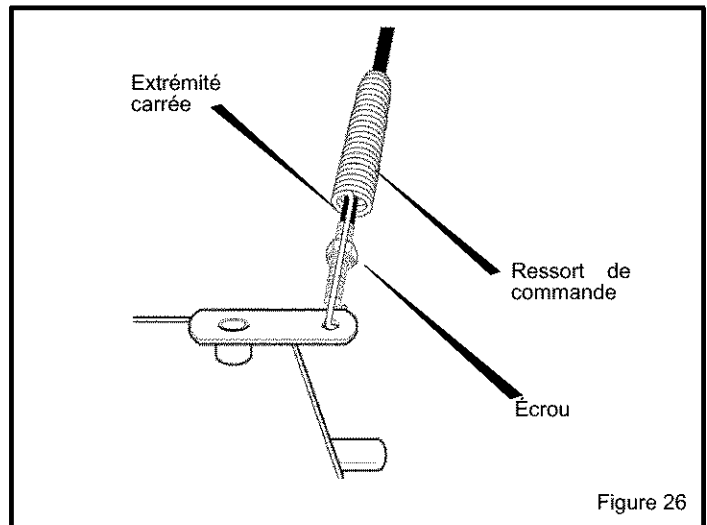
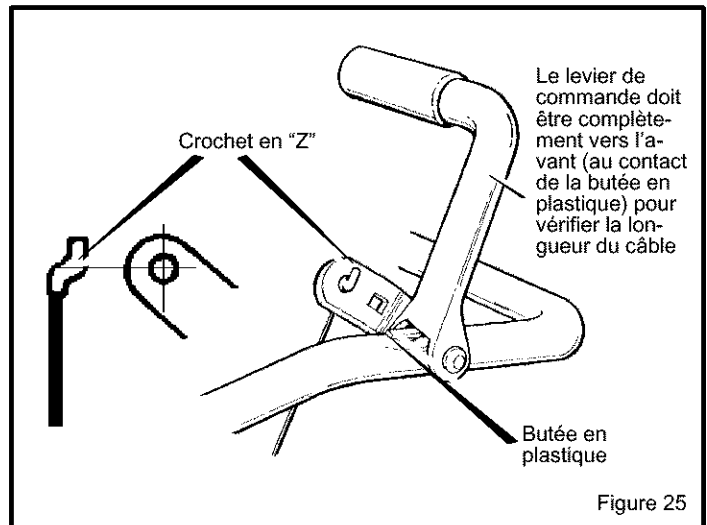
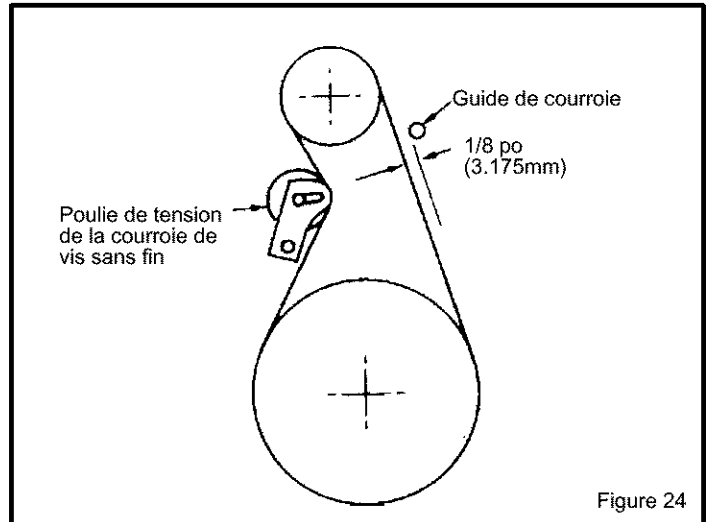
Les câbles doivent être réglés chaque fois que les courroies sont réglées ou remplacées.

Pour vérifier le réglage détacher le crochet en "Z" du levier d'embrayage (voir Figure 25):

1. Pousser le levier d'embrayage complètement vers l'avant (au contact de la butée en plastique).
2. Le centre du crochet doit être entre le centre et le sommet du trou du levier d'embrayage.

Réglage au besoin (voir Figure 26)

1. Vidanger l'essence du réservoir.
2. Mettre le chasse-neige debout sur le boîtier de la vis sans fin.
3. Pousser le câble dans le ressort pour exposer la partie filetée du câble.
4. Tenir l'extrémité carrée de la partie filetée avec des pinces et tourner l'écrou dans un sens ou dans l'autre pour obtenir le réglage approprié. Tirer le câble dans le ressort et remonter le câble.



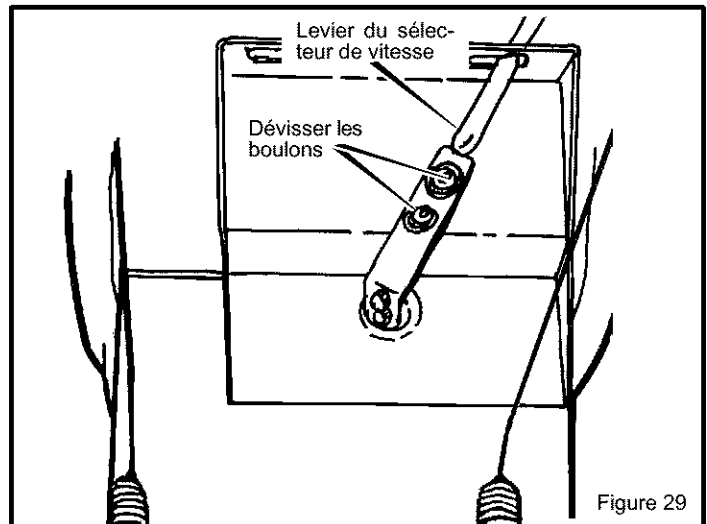
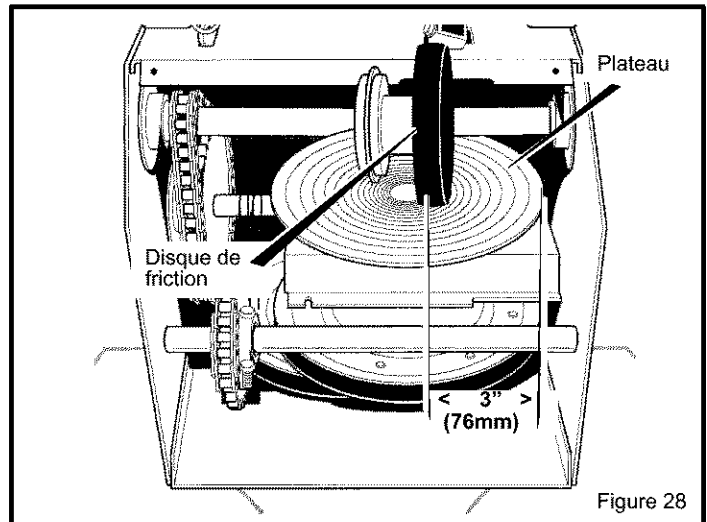
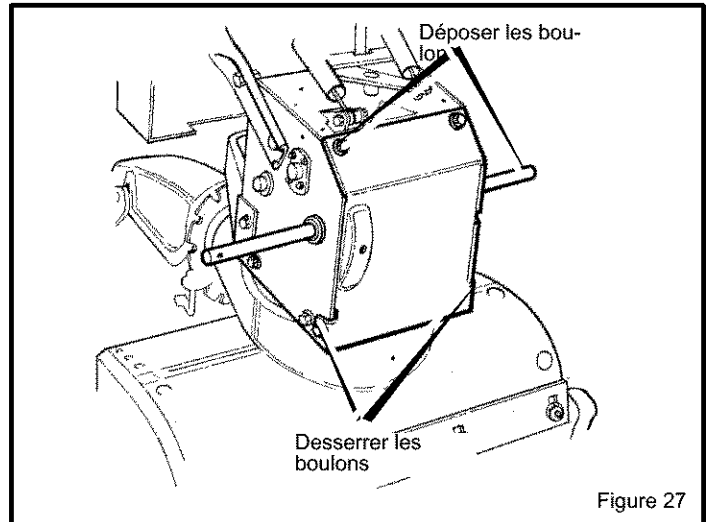
REGLAGES/REPARATIONS

RÉGLAGE DU DISQUE DE FRICTION

1. Déposer les panneaux de dessous (Figure 27).
2. Placer le levier de vitesse en première.
3. Noter la position du disque sur le plateau. La position appropriée à partir du côté extérieur droit du plateau au centre du disque doit être de 3 pouces (76 mm) (Figure 28).

Si un réglage est nécessaire, procéder comme suit:

4. Dévisser les boulons du levier du sélecteur de vitesse. (Figure 29).
5. Placer le disque de friction correctement comme indiqué dans l'étape 3.
6. Remettre les boulons du levier du sélecteur de vitesse en place.
7. Reconnect les panneaux de dessous (Figure 27).



REGLAGES/REPARATIONS

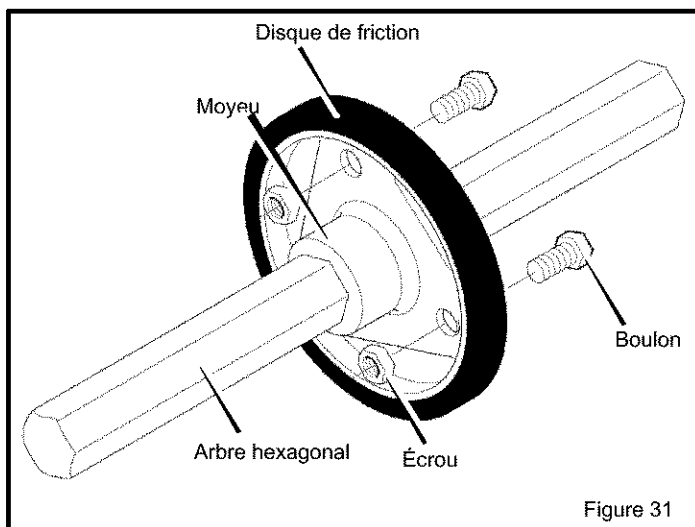
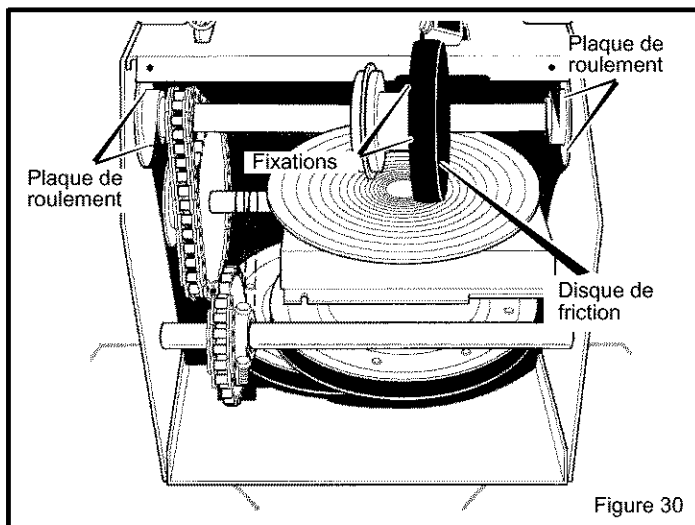
REPLACEMENT DU DISQUE DE FRICTION

1. Vidanger l'essence du réservoir.
2. Débrancher le fil de la bougie.
3. Mettre le chasse-neige debout sur le boîtier de la vis sans fin. Déposer le panneau inférieur.
4. Déposer le support du levier de commande de vitesse (voir Figure 29).
5. Déposer les fixations du disque de friction sur le moyeu et les mettre de côté (voir Figure 30).
6. Déposer les quatre boulons qui fixent les plaques de roulement (des deux côtés).
7. Déposer la plaque de roulement droite. Laisser l'arbre hexagonal en place.
8. Déposer le disque de friction du moyeu en le faisant glisser sur l'arbre hexagonal vers la droite.
9. Monter le disque de friction neuf sur le moyeu (voir Figure 31). Reposer les plaques de roulement en s'assurant que l'arbre hexagonal y est bien engagé.
10. Fixer les plaques de roulement à l'aide des boulons déposés lors du démontage.
11. Fixer le disque de friction sur le moyeu à l'aide des fixations déposées lors du démontage en s'assurant que l'arbre hexagonal tourne librement.
12. Reposer la rotule sur le levier de commande de vitesse.
13. Reconnect tige de commande de vitesse sur tige de vitesse.

14. Dans le cas où le disque de friction devrait être réglé, voir "Réglage du disque de friction".

REMARQUE: Vérifier qu'il n'y a pas de graisse ou d'huile sur le disque de friction et le plateau.

15. Remonter le panneau inférieur.



REGLAGES/REPARATIONS

REPLACEMENT DES BOULONS DE CISAILLEMENT DE LA VIS SANS FIN

La vis sans fin est fixée à l'arbre par des boulons spéciaux qui sont prévus pour casser si un objet se coince dans le boîtier de la vis sans fin. L'utilisation d'un boulon plus dur supprimera la protection du boulon de cisaillement. Pour remplacer un boulon de cisaillement cassé, procéder comme suit.



AVERTISSEMENT: Pour garantir la sécurité et le fonctionnement approprié de la machine, seuls des boulons de cisaillement de rechange d'origine doivent être utilisés.

1. Placer la manette d'accélération à la position d'arrêt, débrayer toutes les commandes, débrancher le fil de la bougie et s'assurer que toutes les pièces sont arrêtées.
2. Graisser les graisseurs de l'arbre de la vis sans fin (voir "Points de graissage" dans la section Entretien de ce manuel).
3. Centrer le trou de la vis sans fin avec celui de son arbre. Monter la goupille de cisaillement, l'entretoise, et l'écrou de blocage. (Voir Figure 32).

REMARQUE: L'entretoise entre dans le plus grand orifice de la barre de soutien de l'arbre de la vis sans fin.

RÉGLAGE DE LA BOUGIE (VOIR FIGURE 33)

REMARQUE: Ce système d'allumage à bougie est conforme à toutes les exigences des réglementations du Canada en matière de matériel brouilleur.

REMARQUE: Ce moteur est conforme à toutes les restrictions actuelles de l'Australie et de la Nouvelle-Zélande en matière de brouillage électromagnétique.

1. Nettoyer la bougie et régler l'écartement des électrodes périodiquement.
2. Nettoyer tout autour de la bougie avant de la déposer, pour empêcher la pénétration de corps étrangers dans le moteur.
3. Remplacer la bougie si les électrodes sont piquées ou brûlées ou si la porcelaine est fêlée.
4. Nettoyer la bougie en grattant les électrodes avec précaution (ne pas utiliser de sableuse ni de brosse métallique).

5. S'assurer que la bougie est propre et ne comporte aucun corps étranger. Vérifier l'écartement des électrodes avec une jauge à fil et régler cet écartement à 0,030 po (0,76 mm) au besoin. Si une bougie neuve doit être montée, se reporter au chapitre "Pièces de rechange du moteur", qui indique la bougie appropriée.
6. Avant de monter la bougie, enduire légèrement le filetage d'une graisse à base de graphite pour faciliter la dépose ultérieure.
7. Serrer la bougie fermement dans le moteur au couple de 18 à 23 pi-livre.

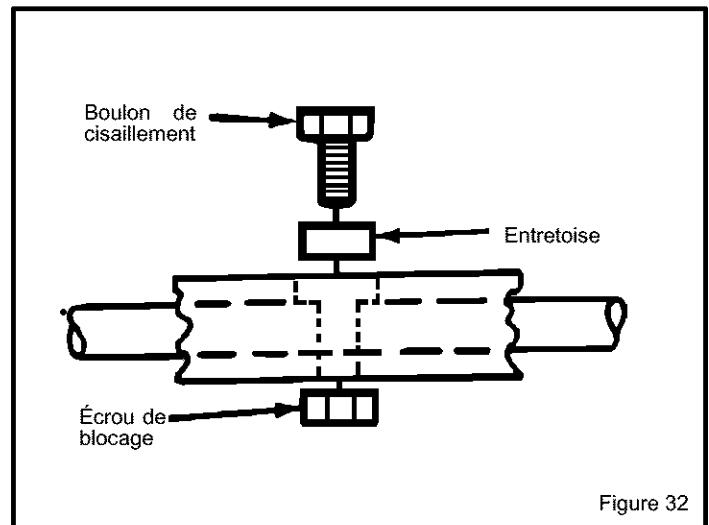


Figure 32

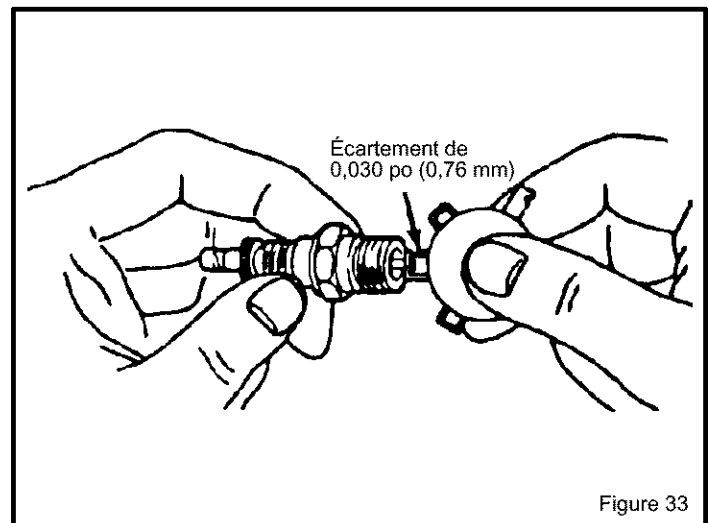


Figure 33

REMISAGE

REMISAGE HORS SAISON



AVERTISSEMENT: Ne jamais remiser la machine avec de l'essence dans le réservoir ou dans un endroit mal ventilé où les émanations d'essence peuvent atteindre une flamme, une étincelle ou la veilleuse d'un appareil ménager comme un chauffe-eau, une sècheuse ou une chaudière.

Faire preuve de prudence avec l'essence qui est très inflammable et peut provoquer des risques d'incendie ou de dégâts.

Vidanger l'essence dans un récipient approprié, à l'extérieur, loin de toute source de flammes ou d'étincelles.

Si le chasse-neige doit être remisé pendant trente (30) jours ou plus à la fin de la saison, les opérations suivantes sont recommandées.

REMARQUE: L'essence doit être retirée du réservoir ou traitée pour éviter la formation de gomme dans le réservoir, le filtre, le flexible d'alimentation et le carburateur.

1. Pour vidanger l'essence, faire tourner le moteur jusqu'à ce qu'il tombe en panne sèche. Vidanger l'essence résiduelle du carburateur en appuyant sur le bouton de vidange situé à la base du carburateur (voir Figure 34).



AVERTISSEMENT: Vidanger l'essence à l'extérieur, à l'écart de flammes ou d'étincelles.

La vidange et le remplacement de l'huile du moteur permettra de le garder en bon état pendant le remisage.

À défaut de vidanger l'essence, un stabilisateur d'essence, dont un petit récipient est livré dans le sac de pièces, peut être ajouté au réservoir pour réduire la formation de gomme et d'acide. Si le réservoir est déjà vide, mélanger le stabilisateur d'essence avec de l'essence propre dans un récipient séparé et verser une petite quantité du mélange dans le réservoir. **TOUJOURS RESPECTER LES DIRECTIVES QUI FIGURENT SUR LE BIDON DE STABILISATEUR. FAIRE ENSUITE TOURNER LE MOTEUR PENDANT AU MOINS 10 MINUTES POUR PERMETTRE AU MÉLANGE D'ATTEINDRE LE CARBURATEUR. RANGER ENSUITE LE CHASSE-NEIGE DANS UN ENDROIT SÛR.**

2. Pour lubrifier le cylindre et le piston, déposer la bougie et verser de l'huile moteur propre dans le trou de la bougie. Couvrir ensuite le trou de la bougie à l'aide d'un chiffon pour absorber la pulvérisation d'huile et entraîner le moteur avec le démarreur deux ou trois fois. Reposer ensuite la bougie et rebrancher le fil de la bougie.
3. Nettoyer complètement le chasse-neige.
4. Graisser tous les points de graissage (voir Graissage, voir "Responsabilités du client").
5. S'assurer que tous les écrous, boulons et vis sont fermement serrés. Vérifier toutes les pièces mobiles pour déceler les indices de dégâts et d'usure. Remplacer les pièces au besoin.
6. Faire les retouches de peinture sur les surfaces rouillées ou écaillées. Poncer légèrement au papier de verre avant la peinture.
7. Couvrir les pièces de métal du boîtier de la vis sans fin et de la turbine d'un produit antirouille.
8. Si possible, ranger le chasse-neige à l'intérieur d'un local et le couvrir d'une bâche pour le protéger de la poussière.
9. Si la machine doit être remisée à l'extérieur, la monter sur des cales pour qu'elle ne repose pas au sol. Couvrir ensuite le chasse-neige à l'aide d'une bâche épaisse.

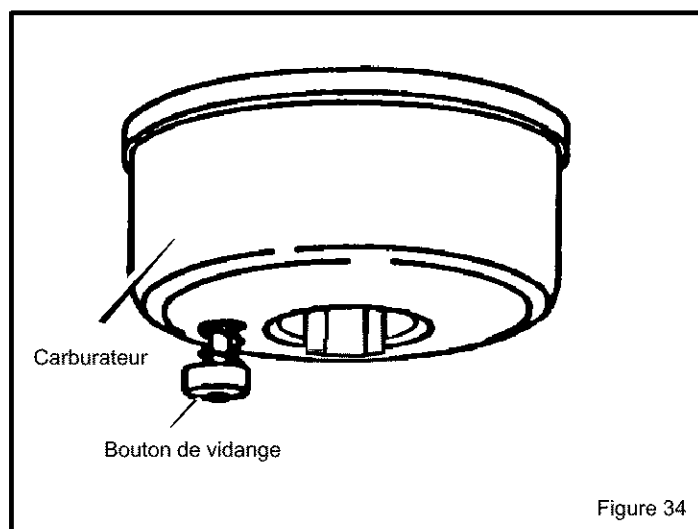


Figure 34

TABLEAU DE DIAGNOSTIC

PROBLÈME	CAUSE	REMÈDE
Mise en marche difficile	Bougie défectueuse.	Remplacer la bougie défectueuse.
Fonctionnement irrégulier du moteur	Canalisation d'essence obstruée.	Nettoyer la canalisation d'essence.
	Réservoir d'essence vide.	Nettoyer la canalisation d'essence, vérifier le niveau du réservoir.
	Essence trop vieille.	Utiliser de l'essence fraîche.
	Présence d'eau ou d'impuretés dans le circuit d'alimentation.	Déposer la cuve du carburateur pour vidanger le réservoir. Remplir avec de l'essence fraîche. ATTENTION: Ne pas déposer la cuve du carburateur lorsque le moteur est chaud.
Calage du moteur	VOLET DE DÉPART fermé.	Ouvrir le volet de départ.
Perte de puissance	Évent du bouchon du réservoir d'essence obstrué.	Éliminer la glace et la neige du bouchon du réservoir. S'assurer que le trou d'évent est propre.
Vibrations excessives	Pièces desserrées ou turbine endommagée.	Arrêter immédiatement le moteur et débrancher la bougie; resserrer tous les boulons et faire les réparations qui s'imposent. Si les vibrations persistent, faire vérifier la machine par un technicien compétent.
Pas de propulsion	Courroie défectueuse ou endommagée.	Remplacer la courroie. Se reporter au paragraphe "Remplacement des courroies" du chapitre Réglages/Réparations de ce manuel.
	Mauvais réglage du câble de commande des roues.	Régler le câble de commande de roues. Se reporter à la rubrique "Réglage du câble" du chapitre Réglages/Réparations de ce manuel.
	Disque de friction usé ou endommagé.	Remplacer le disque de friction. Se reporter à la rubrique "Remplacement du disque de friction" du chapitre Réglages/Réparations de ce manuel.
Pas d'éjection de la neige	Courroie de vis sans fin détendue ou endommagée.	Régler la courroie de la vis sans fin ou; la remplacer si elle est endommagée. Se reporter à la rubrique "Remplacement des courroies d'entraînement" et "Réglage des courroies d'entraînement" du chapitre Réglages/Réparations de ce manuel.
	Câble de vis sans fin mal réglé.	Régler le câble de la vis sans fin. Se reporter à la rubrique "Réglage du câble" du chapitre Réglages/Réparations de ce manuel.
	Boulon de cisaillement cassé	Remplacer le boulon de cisaillement. Se reporter à la rubrique "Remplacement du boulon de cisaillement" du chapitre Réglages/Réparations de ce manuel.
	Goulotte d'éjection obstruée.	Arrêter le moteur immédiatement et débrancher le fil de la bougie. Se reporter à la première rubrique "Danger" du chapitre Utilisation de ce manuel. Nettoyer la goulotte d'éjection et l'intérieur du boîtier de la vis sans fin.
	Corps étrangers dans la vis sans fin.	Arrêter immédiatement le moteur et débrancher le fil de la bougie. Se reporter à la troisième rubrique Danger du chapitre Utilisation du chasse-neige de ce manuel. Retirer les corps étrangers de la vis sans fin.

Identification du chasse-neige

Ce chasse-neige comporte deux (2) numéros d'identification: (1) le numéro de modèle et (2) le numéro de série. Ces deux numéros sont nécessaires pour obtenir les pièces de rechange en cas de besoin. Pour toutes questions au sujet des pièces de rechange, des services de réparation ou des données techniques, communiquer avec le centre de service Sears le plus proche.

Pour tous les détails de la garantie, se reporter à la page intitulée Avis au Client de ce manuel.

SEARS

Manuel d'utilisation

Modèle
C950-52005-0
5-H.P.
22 pouces

Chasse-Neige à
Deux Phases

CRAFTSMAN

le Service
est à
**VOTRE
SERVICE**

N° de série _____

Vous trouverez le numéro du modèle et le numéro de série sur la plaque d'identification à l'arrière du boîtier du chasse-neige. Enregistrez les numéros de modèle et de série et conservez les pour pouvoir vous y reporter.

COMMENT OBTENIR DES PIÈCES DE RECHANGE

Chaque chasse-neige a son propre NUMÉRO DE MODÈLE. Chaque moteur a son propre NUMÉRO DE MODÈLE.

Le NUMÉRO DE MODÈLE du MOTEUR figure sur le boîtier du VENTILATEUR.

Lorsque vous désirez obtenir des services d'entretien et des pièces de rechange, mentionnez toujours ces numéros.

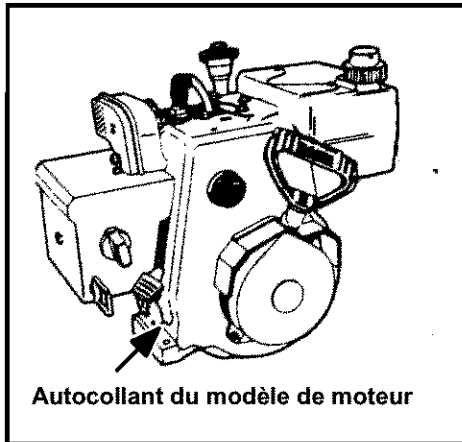
Toutes les pièces énumérées ici peuvent être obtenues des CENTRES DE SERVICE, CATALOGUES ET MAGASINS SEARS CANADA INC. Si les pièces que vous désirez ne sont pas en stock, votre commande sera transmise électroniquement à un centre de distribution de pièces SEARS et traitée immédiatement.

Lorsque vous commandez des pièces de rechange par courrier, les prix de vente seront fournis sur demande, ou les pièces seront expédiées au prix en cours et vous serez facturé en conséquence.

LORSQUE VOUS COMMANDEZ DES PIÈCES DE RECHANGE, FOURNISSEZ TOUJOURS LES INFORMATIONS SUIVANTES:

1. NUMÉRO DE PIÈCE
2. DESCRIPTION DE LA PIÈCE
3. NUMÉRO DU MODÈLE
4. NOM DE LA MACHINE-CHASSE-NEIGE
5. NUMÉRO DE MODÈLE DU MOTEUR

Vos produits Sears prennent une valeur supplémentaire grâce aux centres de service Sears dans tout le pays. Chaque centre emploie des techniciens qualifiés utilisant les méthodes Sears approuvées.



Monsieur, Madame, Mademoiselle,

Lors de la fabrication de cet article, aucun effort n'a été épargné pour vous offrir une marchandise de toute première qualité. Malheureusement, des erreurs ou des omissions sont quelquefois commises. Si vous remarquez qu'une pièce est manquante ou défectueuse, veuillez contacter votre magasin Sears le plus proche.

**ENTRETIEN ET PIÈCES DE
RECHANGE
COMPOSEZ LE 1-800-665-4455 ***

Conservez ce numéro a porte de la main au cas ou vous auriez besoin d'une visite d'entretien ou de pièces de rechange. Lorsque vous commandez des pièces de rechange, indiquez le nom, la marque et le no de modèle du produit ainsi que le nom et le numéro de la pièce que vous désirez commander.

* si vous appelez un centre d'entretien local, composez un des numéros suivants:

Regina – 566-5124

Montréal – 333-5740

Toronto – 744-4900

Halifax – 454-2444

Kitchener – 894-7590

Ottawa – 738-4440

Vancouver – 420-8211

Si vous avez des suggestions nous permettant d'améliorer nos instructions relatives au montage et/ou à l'utilisation du produit, ou le produit lui-même, veuillez remplir le formulaire ci-dessous et l'envoyer à:

Sears Canada Inc.
222 rue Jarvis
Toronto, Ontario
M5B 2B8

À l'attention de: Service clientèle 671

N° de modèle: _____

NOM: _____

ADRESSE: _____

CODE POSTAL: _____ TÉLÉPHONE # _____
