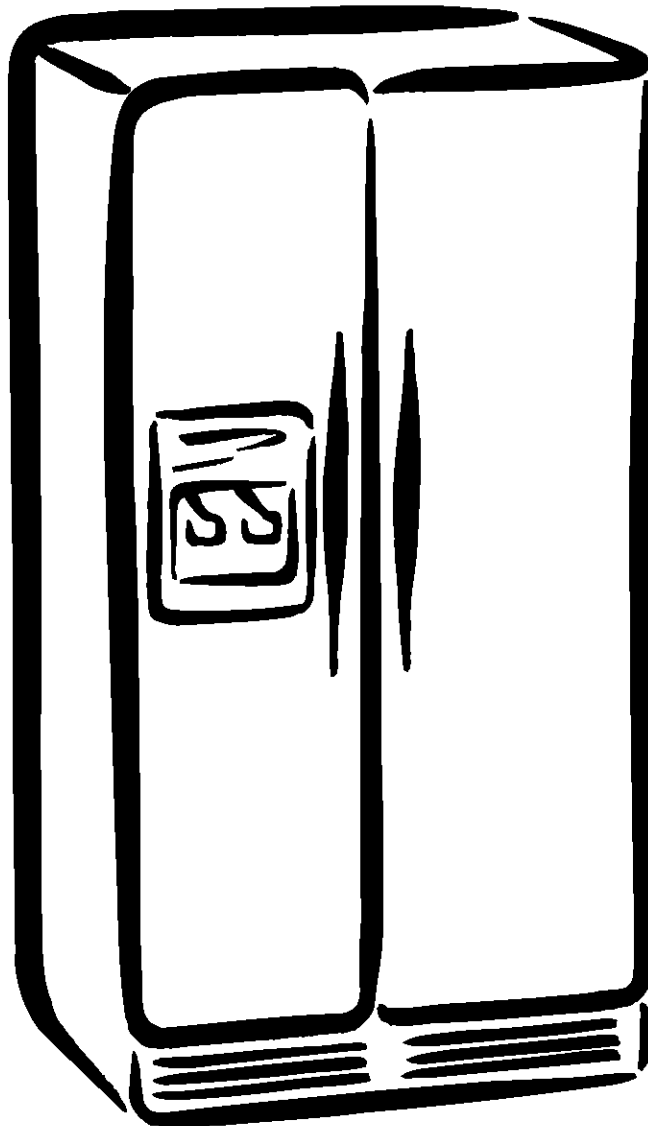




**Side by Side Refrigerator**  
Use & Care Guide

**Lado a Lado Refrigerador**  
Guía para su uso y cuidado

**Compartiments Côte à Côte Réfrigérateur**  
Guide d'utilisation et d'entretien



ENGLISH

ESPAÑOL

FRANÇAIS

Sears, Roebuck and Co., Hoffman Estates, IL 60179 U.S.A.  
Sears Canada, Inc., Toronto, Ontario, Canada M5B 2B8

www.sears.com  
240461400 (0103)



## Welcome & Congratulations

Congratulations on your purchase of a new refrigerator! We here at **Sears** are very proud of our product and we are completely committed to providing you with the best service possible. Your satisfaction is our #1 priority.

We know you'll enjoy your new refrigerator and **Thank You** for choosing our product. We hope you consider us for future purchases.

### PLEASE READ AND SAVE THESE INSTRUCTIONS

This Owner's Guide provides specific operating instructions for your model. Use your refrigerator only as instructed in this manual. These instructions are not meant to cover every possible condition and situation that may occur. Common sense and caution must be practiced when installing, operating and maintaining any appliance.

**Please record your model and serial numbers below for future reference. This information is found on the serial plate located inside the refrigerator compartment.**

**NOTE:** Use only soap and water to clean serial plate.

Model Number: 253

or: 970

Serial Number: \_\_\_\_\_

Purchase Date: \_\_\_\_\_

### TABLE OF CONTENTS

Record Serial/Model Numbers .....	2
Safety .....	2-3
Warranty .....	3
Canada - Limited Warranty .....	4
Installation .....	5-6
Door Removal Instructions .....	7
Features At A Glance .....	8
Temperature Controls .....	9
Looking Inside .....	10-12
Automatic Ice & Water Dispenser .....	13-14
Front Ice & Water Filter .....	15
Food Storage & Energy Saving Tips ...	16
Normal Operating Sounds & Sights ....	17
Care & Cleaning .....	18-19
Before You Call .....	20-23



## Important Safety Instructions



**Please Read All Instructions Before Using This Refrigerator.**

### FOR YOUR SAFETY

- Do not store or use gasoline, or other flammable liquids in the vicinity of this or any other appliance. Read product labels for warnings regarding flammability and other hazards.
- Do not operate the refrigerator in the presence of explosive fumes.
- Avoid contact with any moving parts of automatic ice maker.
- Remove all staples from the carton. Staples can cause severe cuts, and also destroy finishes if they come in contact with other appliances or furniture.

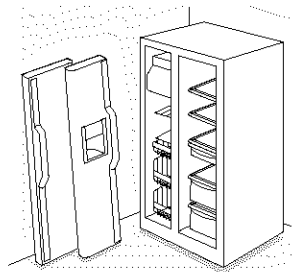
### CHILD SAFETY

Destroy or recycle the carton, plastic bags, and any exterior wrapping material immediately after the refrigerator is unpacked. Children should **NEVER** use these items to play. Cartons covered with rugs, bedspreads, plastic sheets or stretch wrap may become airtight chambers, and can quickly cause suffocation.

### PROPER DISPOSAL OF YOUR REFRIGERATOR OR FREEZER

#### *Risk of child entrapment*

Child entrapment and suffocation are not problems of the past. Junked or abandoned refrigerators or freezers are still dangerous – even if they will sit for “just a few days.” If you are getting rid of your old refrigerator or freezer, please follow the instructions below to help prevent accidents.



#### **Before you throw away your old refrigerator/ freezer:**

- Remove doors.
- Leave shelves in place so children may not easily climb inside.
- Have refrigerant removed by a qualified service technician.



## Important Safety Instructions (cont.)

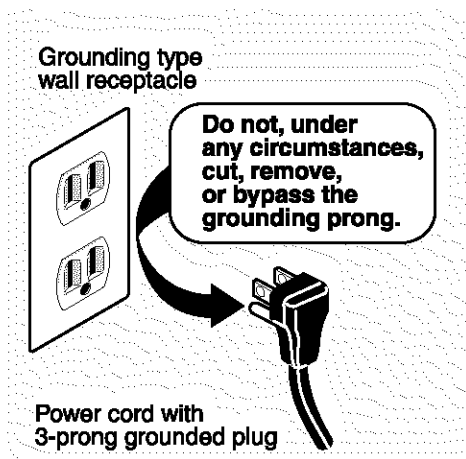
### ⚠ WARNING

These Guidelines Must Be Followed To Ensure That Safety Mechanisms In This Refrigerator Will Operate Properly.

### ELECTRICAL INFORMATION

- The refrigerator must be plugged into its own dedicated 115 Volt, 60 Hz., AC only electric outlet. The power cord of the appliance is equipped with a three-prong grounding plug for your protection against electrical shock hazards. It must be plugged directly into a properly grounded three-prong receptacle. The receptacle must be installed in accordance with local codes and ordinances. Consult a qualified electrician. **Do not use an extension cord or adapter plug.**
- Immediately repair or replace any power cord that becomes frayed or damaged.
- Never unplug the refrigerator by pulling on the power cord. Always grip the plug firmly, and pull straight out from the receptacle to prevent damaging the power cord.
- Unplug the refrigerator before cleaning and before replacing a light bulb to avoid electrical shock.
- Performance may be affected if the voltage varies by 10% or more. Operating the refrigerator with insufficient power can damage the compressor. Such damage is not covered under your warranty.
- Do not plug the unit into an outlet controlled by a wall switch or pull cord to prevent the refrigerator from being turned off accidentally.
- Avoid connecting refrigerator to a Ground Fault Interruptor (GFI) circuit.

**NOTE:** Turning the freezer temperature control to "O" turns off the compressor, but does not disconnect electrical power to the light bulb or other electrical components.



## Warranty Information

### FULL ONE-YEAR WARRANTY ON REFRIGERATOR

For one year from the date of purchase, when this refrigerator is operated and maintained according to the instructions provided in this Owner's Guide, Sears will repair this refrigerator, free of charge, if defective in material or workmanship.

### FULL FIVE-YEAR WARRANTY ON SEALED REFRIGERATION SYSTEM

For five years from the date of purchase, when this refrigerator is operated and maintained according to the instructions provided in this Owner's Guide, Sears will repair the sealed system (consisting of refrigerant, connecting tube, and compressor motor), free of charge, if defective in material or workmanship.

The above refrigerator warranty applies only to refrigerators which are used for storage of food for private household purposes.

**FULL 30-DAY WARRANTY ON KENMORE REFRIGERATOR WATER FILTRATION CARTRIDGE.** If this Kenmore Refrigerator Water Filtration Cartridge fails due to a defect in material or workmanship within 30 days from the date of purchase, RETURN IT TO THE NEAREST SEARS STORE IN THE UNITED STATES and Sears will replace it, free of charge.

This warranty gives you specific legal rights and you may also have other rights which vary from state to state.

Warranty service is available by contacting the NEAREST SEARS SERVICE CENTER/DEPARTMENT in the United States. See the back page of this manual.

For warranty questions, please contact the following address:

**Sears, Roebuck and Co.**  
**Dept. 817WA**  
**Hoffman Estates, IL 60179**

ENGLISH



## Warranty Information

# CANADA — LIMITED WARRANTY



## Refrigerators

Sears Canada Inc., warrants every new *Kenmore* refrigerator to be free from defects in material or workmanship. What Sears will do, free of charge, in case of defect:

What is covered?	How long warranted? (from date of sale)	Parts: At Sears' option, either repair or supply replacement part for:	Labor: Instal repaired or replacement part for:
The Compressor	TEN (10) YEARS	TEN (10) YEARS	FIVE (5) YEARS
The Sealed System (consisting of refrigerant, evaporator, and condenser)	FIVE (5) YEARS	FIVE (5) YEARS	FIVE (5) YEARS
All other parts or adjustments	ONE (1) YEAR	ONE (1) YEAR	ONE (1) YEAR

### Normal Responsibility of the Customer

The following items, since they are not manufacturing defects, are not included in the warranty, but are the responsibility of the customer:

- 1) Damage to finish after delivery.
- 2) Improper power supply, low voltage, or any defects in the house wiring system or appliance not connected to electric outlet.
- 3) Replacement of light bulbs.
- 4) Damage caused by moving the product from its original installation.
- 5) Service required as a result of alteration, abuse, fire, floods, or acts of God.
- 6) Providing adequate air circulation to the refrigerating system.
- 7) Proper use and care of product as listed in the customer's manual; proper setting of the controls.

If any service is required under this warranty, simply call **1-800-FOR-MY-HOME** (1-800-469-4663).

This warranty is in addition to any statutory warranty. The above warranty covers *Kenmore* Refrigerators sold and operated in Canada only and shall not apply if the refrigerator is used for other than domestic purposes.

### Sears Maintenance Agreement

Maintain the value of your *Kenmore* refrigerator with a Sears Maintenance Agreement.

**SEARS CANADA INC. • Toronto, Canada • M5B 2B8**

PRINTED IN U.S.A.



# Installation

This Owner's Guide provides specific operating instructions for your model. Use the refrigerator only as instructed in this Use & Care Manual. **Before starting the refrigerator, follow these important first steps.**

## LOCATION

- Choose a place that is near a grounded electrical outlet. **Do Not** use an extension cord or an adapter plug.
- If possible, place the refrigerator out of direct sunlight and away from the range, dishwasher or other heat sources.
- The refrigerator must be installed on a floor that is level and strong enough to support a fully loaded refrigerator.
- Consider water supply availability for models equipped with an automatic ice maker.

## INSTALLATION

- **Do Not** install the refrigerator where the temperature will drop below 55°F (13°C) or rise above 110°F (43°C). The compressor will not be able to maintain proper temperatures inside the refrigerator.

**CAUTION** Do Not block the toe grille on the lower front of your refrigerator. Sufficient air circulation is essential for the proper operation of your refrigerator.

### Installation Clearances

- Allow the following clearances for ease of installation, proper air circulation, and plumbing and electrical connections:
  - Sides & Top ----- 3/8"
  - Back ----- 1"

## DOOR OPENING

**NOTE:** If your refrigerator is placed with the door hinge side against a wall, you may have to allow additional space so the door can be opened wider.

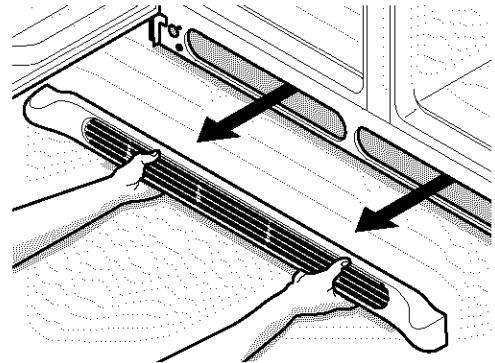
Your refrigerator should be positioned to allow easy access to a counter when removing food. For best use of drawers and freezer baskets, the refrigerator should be in a position where both the refrigerator and freezer doors can be fully opened.

## LEVELING

All four corners of your refrigerator must rest firmly on a solid floor. Your refrigerator is equipped with adjustable front rollers to help level your unit.

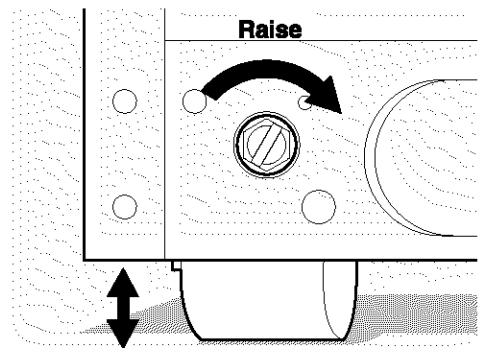
### To Level Your Refrigerator:

1. Remove toe grille.



2. Use flat-blade screwdriver or 3/8" socket wrench to adjust front rollers.

**NOTE:** The refrigerator doors are designed to shut by themselves within a 20 degree opening.



3. Check both doors to be sure seals touch cabinet on all four sides.

ENGLISH



## Installation - Connecting Ice Maker To Water Supply

**⚠ WARNING** To avoid electric shock, which can cause death or severe personal injury, disconnect the refrigerator from electrical power before connecting a water supply line to the refrigerator.

**⚠ CAUTION** To Avoid Property Damage:

- Copper tubing is recommended for the water supply line. Water supply tubing made of ¼" plastic is not recommended since it greatly increases the potential for water leaks. Manufacturer will not be responsible for any damage if plastic tubing is used for supply line.
- DO NOT install water supply tubing in areas where temperatures fall below freezing.
- Chemicals from a malfunctioning softener can damage the ice maker. If the ice maker is connected to soft water, ensure that the softener is maintained and working properly.

**IMPORTANT:** Ensure that your water supply line connections comply with all local plumbing codes.

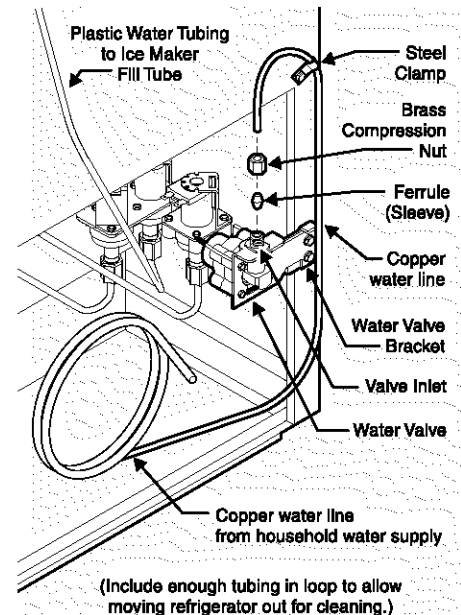
### Before Installing The Water Supply Line, You Will Need

- **Basic Tools:** adjustable wrench, flat-blade screwdriver, and Phillips™ screwdriver
- Access to a household cold water line with water pressure between 20 and 100 psi.
- A water supply line made of ¼ inch (6.4 mm) OD, copper tubing. To determine the length of copper tubing needed, you will need to measure the distance from the ice maker inlet valve at the back of the refrigerator to your cold water pipe. Then add approximately 7 feet (2.1 meters), so the refrigerator can be moved out for cleaning (as shown).
- A shutoff valve to connect the water supply line to your household water system. **DO NOT** use a self-piercing type shutoff valve.
- A compression nut and ferrule (sleeve) for connecting the water supply line to the ice maker inlet valve.

**NOTE:** A water line kit is available from your appliance dealer at additional cost. It contains 25 feet (7.6 meters) of ¼ inch OD copper tubing, a saddle type shutoff valve (nonpiercing), (2) ¼ inch brass compression nuts, (2) ferrules/sleeves, and instructions for installing a water supply line.

### To Connect Water Supply Line To Ice Maker Inlet Valve

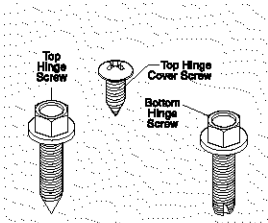
1. Disconnect refrigerator from electric power source.
2. Place end of water supply line into sink or bucket. Turn ON water supply and flush supply line until water is clear. Turn OFF water supply at shut off valve.
3. Unscrew plastic cap from water valve inlet and discard cap.
4. Slide brass compression nut, then ferrule (sleeve) onto water supply line, as shown.
5. Push water supply line into water valve inlet as far as it will go (¼ inch). Slide ferrule (sleeve) into valve inlet and finger tighten compression nut onto valve. Tighten another half turn with a wrench; **DO NOT** over tighten.
6. With steel clamp and screw, secure water supply line to rear panel of refrigerator as shown.
7. Coil excess water supply line (about 2½ turns) behind refrigerator as shown and arrange coils so they do not vibrate or wear against any other surface.
8. Turn ON water supply at shutoff valve and tighten any connections that leak.
9. Reconnect refrigerator to electrical power source.
10. To turn ice maker on, lower wire signal arm (see ice maker front cover for ON/OFF position of arm).



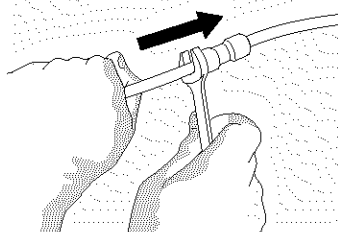
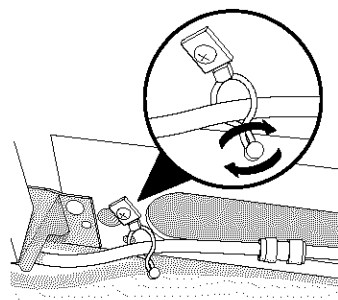
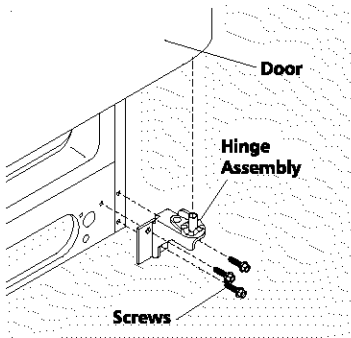
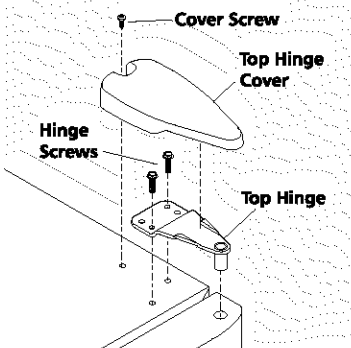
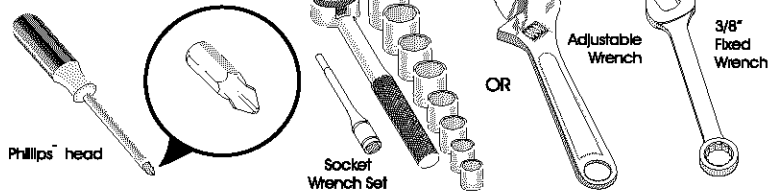
**IMPORTANT:** It takes approximately 24 hours for the ice maker to begin producing ice. Air in new plumbing lines may cause ice maker to cycle two or three times before making a full tray of ice. New plumbing may cause ice to be discolored or have poor flavor. Discard ice made during the first 24 hours.



# Door Removal Instructions



## Tools Necessary:



## DOOR REMOVAL INSTRUCTIONS:

*If it is necessary to move the refrigerator through narrow doorways, follow these steps to remove the doors.*

**IMPORTANT:** Before you begin, turn freezer temperature control to OFF and remove electrical power cord from wall outlet. Remove any food from door shelves.

1. Disconnect electrical supply.
2. Open both doors, then remove toe grille.
3. Close doors.

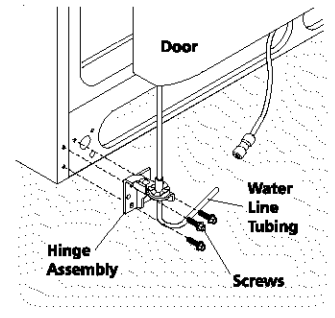
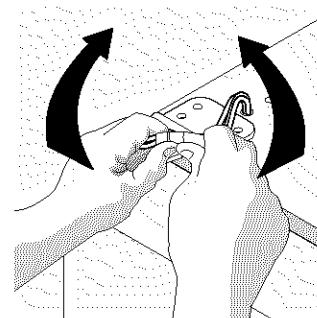
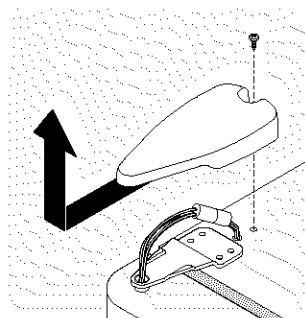
### To Remove Refrigerator Door:

1. Remove top hinge cover screw on refrigerator door and remove cover.
2. Trace around hinge with soft lead pencil. This will make it easier to realign doors when they are replaced.
3. Remove top hinge and lift refrigerator door off bottom hinge pin. Set door aside.
4. Remove bottom hinge, if necessary.
5. Reverse this procedure to reinstall refrigerator door.

### To Remove Freezer Door:

1. Disconnect water line coming from lower hinge of freezer door at connection located under front of freezer: grip water tube firmly in one hand, then with 3/8" wrench or fingers, push in on gray collar to release water connector.
2. Remove top hinge cover screw on freezer door and remove cover.
3. Disconnect wiring harness connector plug at top hinge: place your thumbs on flat sides of each connector and bend both parts back and forth, then with firm grasp, pull both pieces apart.
4. Trace around hinge with soft lead pencil. This will make it easier to realign doors when they are replaced.
5. Remove top hinge, allowing wiring harness to pull through hinge and lift freezer door off of bottom hinge pin. Lay door down flat to avoid kinking water line.
6. Remove bottom hinge, if necessary.
7. Reverse this procedure to reinstall freezer door.

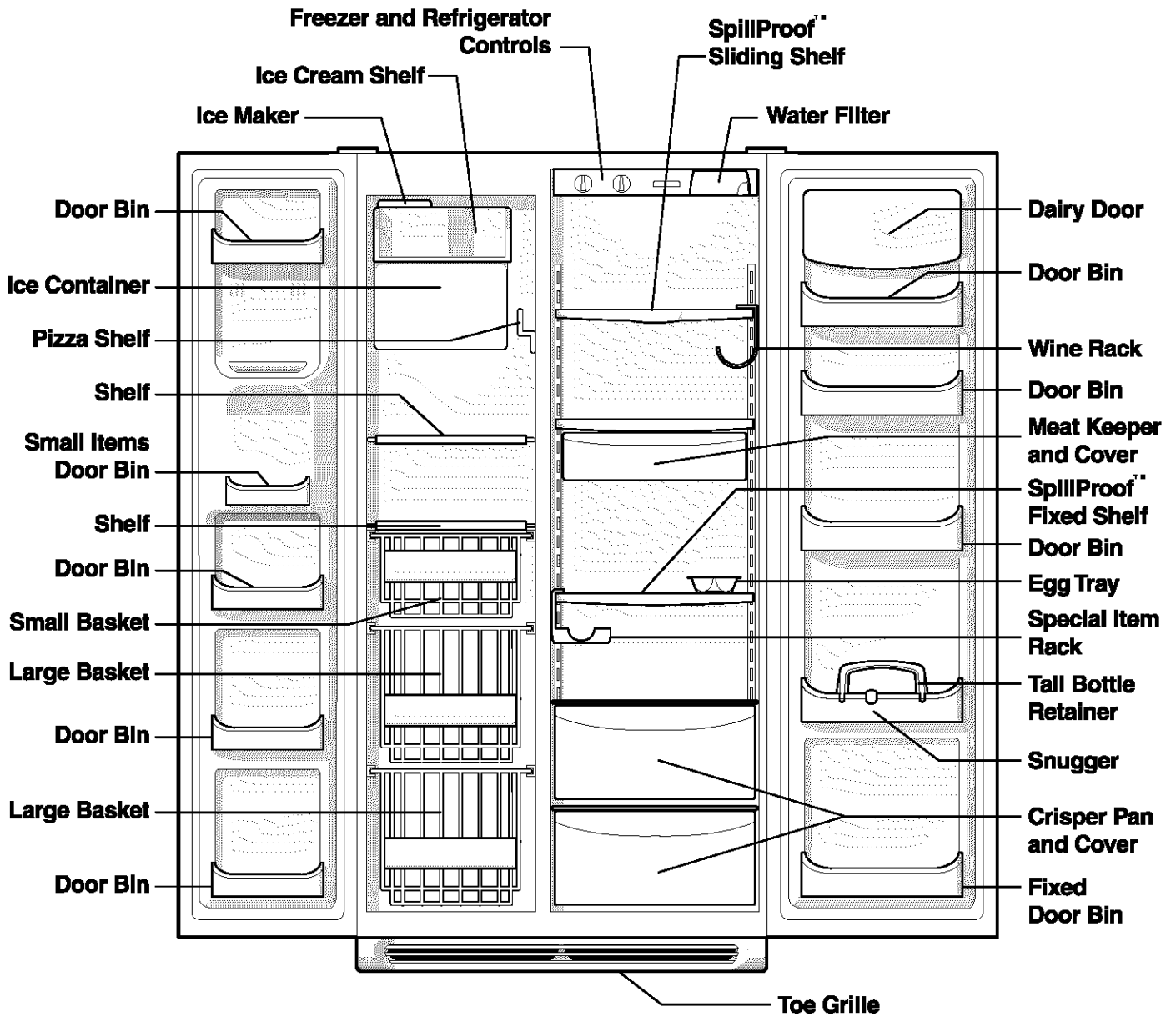
When both doors have been reinstalled, replace toe grille and plug in electrical power cord. Turn both temperature controls to center position. Adjust settings as necessary.



ENGLISH



## Features At A Glance



ENGLISH

*Features may vary according to model*





# Temperature Controls

## COOL DOWN PERIOD

To ensure safe food storage, allow the refrigerator to operate with the doors closed for at least 8 to 12 hours before loading it with food.

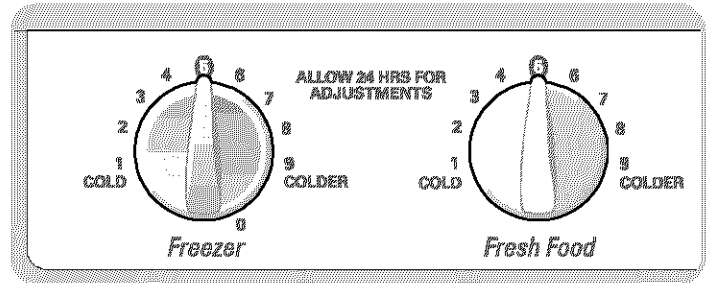
## REFRIGERATOR & FREEZER CONTROLS

**NOTE:** When first setting the controls or when changing a setting, wait 24 hours for the temperature to stabilize before making additional changes.

## TEMPERATURE ADJUSTMENT

- After 24 hours, adjust the controls as needed. **Adjust temperatures gradually; move the knob in small increments, allowing the temperature to stabilize.**
- For colder temperatures, turn the knob towards **Colder**.
- For warmer temperatures, turn the knob towards **Cold**.

To maintain temperatures, a fan circulates air in the refrigerator and freezer compartments. For good circulation, do not block cold air vents with food items.



Refrigerator & Freezer Controls  
(Features may vary according to model.)

**IMPORTANT:** Turning the freezer temperature control to “0” turns off the compressor, but does not disconnect the power to the light bulb and other electrical components.

TEMPERATURE ADJUSTMENT GUIDE	
If Fresh Food Compartment Is Too Warm	Turn Fresh Food Control Slightly Towards <b>Colder</b> .
If Fresh Food Compartment Is Too Cold	Turn Fresh Food Control Slightly Towards <b>Cold</b> .
If Freezer Compartment Is Too Warm	Turn Freezer Control Slightly Towards <b>Colder</b> .
If Freezer Compartment Is Too Cold	Turn Freezer Control Slightly Towards <b>Cold</b> .
To Turn Refrigerator Off	Turn Freezer Control To <b>0</b> .

ENGLISH



## Looking Inside

### TIP-UP SHELF (SOME MODELS)

A Tip-Up shelf in the freezer section allows tall items to be easily stored.

**CAUTION** To avoid personal injury or property damage, handle tempered glass shelves carefully. Shelves may break suddenly if nicked, scratched, or exposed to sudden temperature change.

### CANTILEVER SHELF ADJUSTMENT

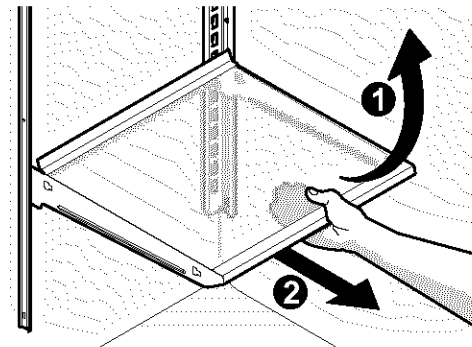
Refrigerator shelves are easily adjusted to suit individual needs. Before adjusting the shelves, remove all food. Cantilever shelves are supported at the back of the refrigerator.

#### To adjust cantilever shelves:

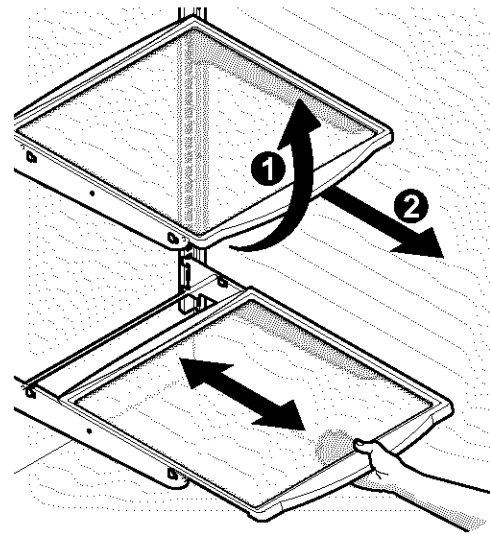
- 1 Lift front edge up.
- 2 Pull shelf out.

Replace the shelf by inserting the hooks at rear of the shelf into the wall bracket. Lower the shelf into the desired slots and lock into position.

*SpillProof™* glass shelves (some models) catch and hold accidental spills. In some models, the *SpillProof™* shelves slide out for easy access to food and for fast cleaning. The shelves slide out independently of their mounting brackets. Just pull the front of the shelf forward. Shelves can be extended as far as the stopper will allow but are **not** removable from their mounting brackets.



Cantilever Glass Shelf



Cantilever Sliding Glass Shelf



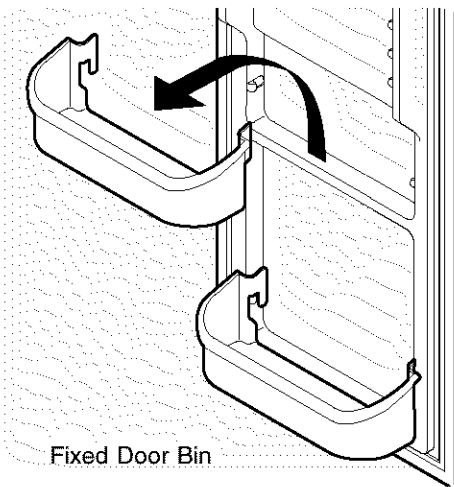
## Looking Inside (continued)

### DOOR STORAGE

Door bins and shelves are provided for convenient storage of jars, bottles, and cans. Frequently used items can be quickly selected.

Some models have door bins that can accommodate gallon-sized plastic drink containers and economy-sized jars and containers. Some bins are adjustable for maximum storage capacity.

The dairy compartment, which is warmer than the general food storage section, is intended for short term storage of cheese, spreads, or butter.



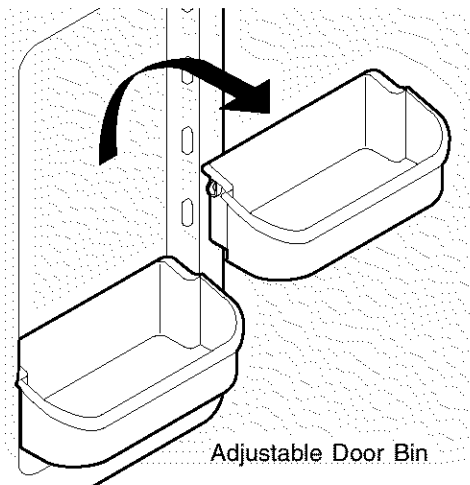
Fixed Door Bin

### ADJUSTABLE DOOR BINS

Some models have adjustable door bins that can be moved to suit individual needs.

*To move door bins*

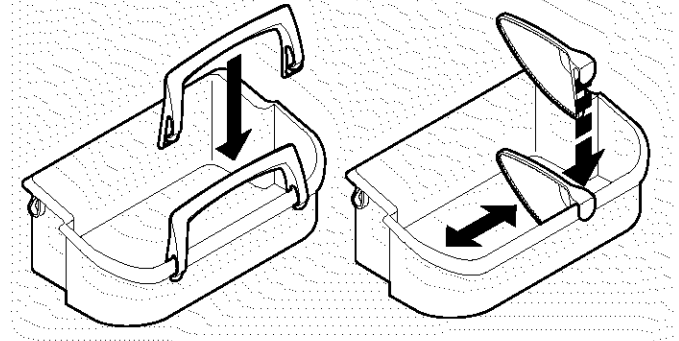
1. Lift bin straight up.
2. Remove bin.
3. Place bin in desired position.
4. Lower bin onto supports until locked in place.



Adjustable Door Bin

### TALL BOTTLE RETAINER (SOME MODELS)

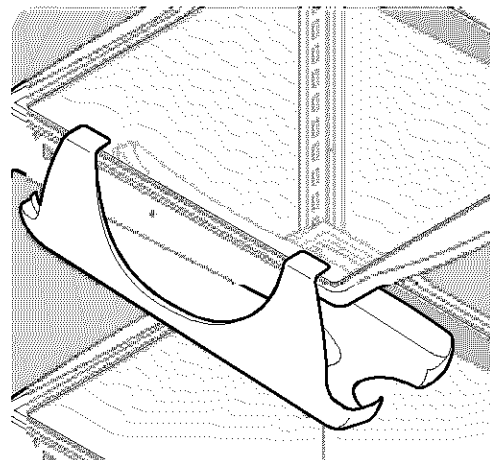
The Tall Bottle Retainer keeps tall containers in the bin from falling forward when opening or closing the refrigerator door. To install, hold the retainer at the top, and slide it over the outside wall of the bin, as shown in the diagram. The Tall Bottle Retainer works best with a Bin Snugger.



Tall Bottle Retainer (left) and Bin Snugger (right)

### SPECIAL ITEM RACK (SOME MODELS)

The innovative design of the Special Item Rack allows you to store a six-pack of 12 ounce drink cans, a bottle of wine, a two-liter soft drink bottle, or a carton of eggs. The Special Item Rack mounts on the **left** side of your refrigerator. To install, just slide the Special Item Rack onto any shelf as shown in the drawing.



Special Item Rack

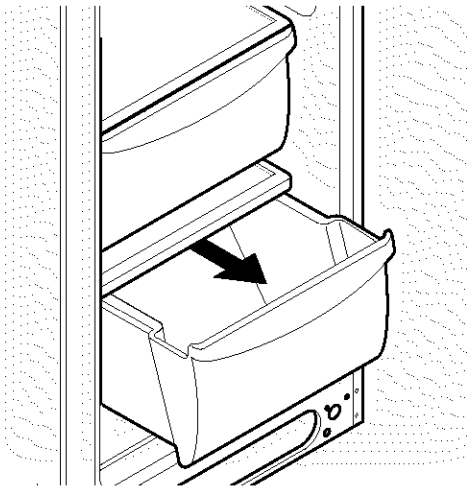
ENGLISH



## Looking Inside - Special Storage Areas

### CRISPERS (SOME MODELS)

The crispers, located under the bottom refrigerator shelf, are designed for storing fruits, vegetables, and other fresh produce. Wash items in clear water and remove excess water before placing them in the crispers. Items with strong odors or high moisture content should be wrapped before storing.

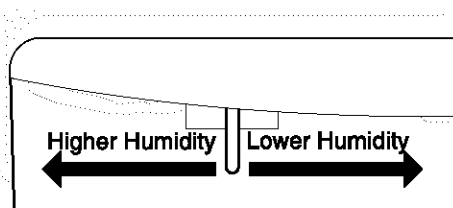


Crisper Drawer

### HUMIDITY CONTROL (SOME MODELS)

The Humidity Control, present on some models with crisper drawers, allows you to adjust the humidity within the crisper. This can extend the life of fresh vegetables that keep best in high humidity.

**NOTE:** Leafy vegetables keep best when stored with the Humidity Control set on **Higher Humidity**, or in a drawer without a Humidity Control. This keeps incoming air to a minimum and maintains maximum moisture content.



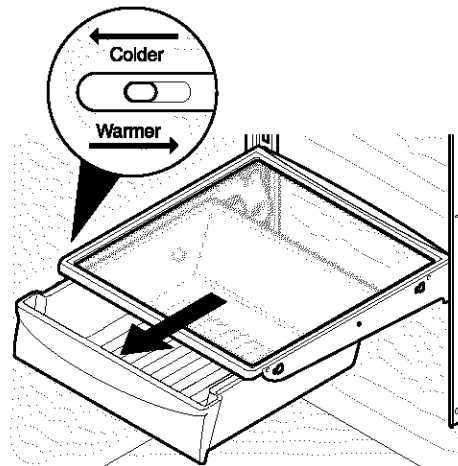
Crisper Humidity Control

### DELI DRAWER (SOME MODELS)

Some models are equipped with a Deli Drawer for storage of luncheon meats, spreads, cheeses, and other deli items.

### MEAT KEEPER (SOME MODELS)

Some models are equipped with a Meat Keeper. Meat Keeper temperatures can be adjusted by sliding the Meat Keeper Temperature Control in either direction. Use this pan for short term storage of bulk meat items. If meats are to be kept longer than one or two days, they should be frozen. The Meat Keeper is fixed and cannot be moved up or down. If fruits or vegetables are to be stored in the Meat Keeper, set the Meat Keeper Temperature Control to a warmer setting to prevent freezing.

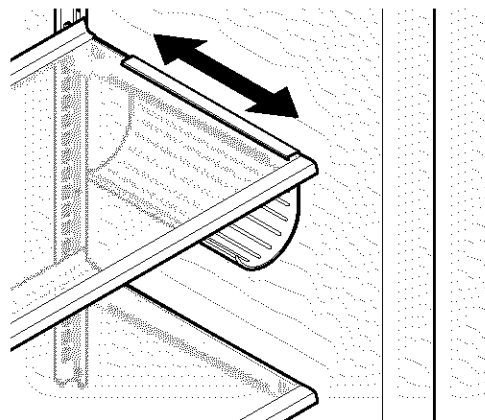


Meat Keeper with Temperature Control

**NOTE:** The Meat Keeper may be removed for cleaning. To remove, pull the Meat Keeper straight out while lifting up toward the back on the bottom of the Meat Keeper.

### WINE RACK (SOME MODELS)

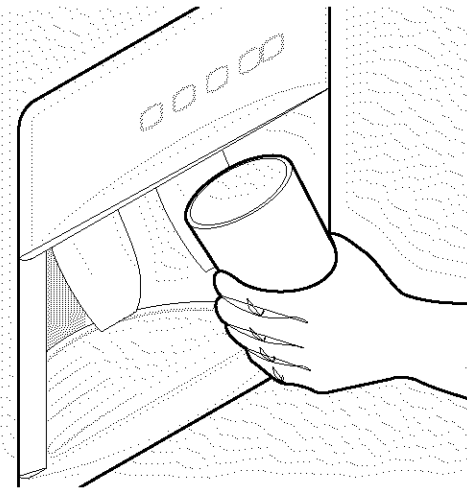
The wine rack stores bottles of wine, or single two-liter plastic bottles of juice or soda pop. To install, slide the Wine Rack onto the shelf with the curve facing in. To remove, slide the Wine Rack out. Install on either side of shelf.



Wine Rack



# Automatic Ice and Water Dispenser



## ICE AND WATER DISPENSER FEATURES

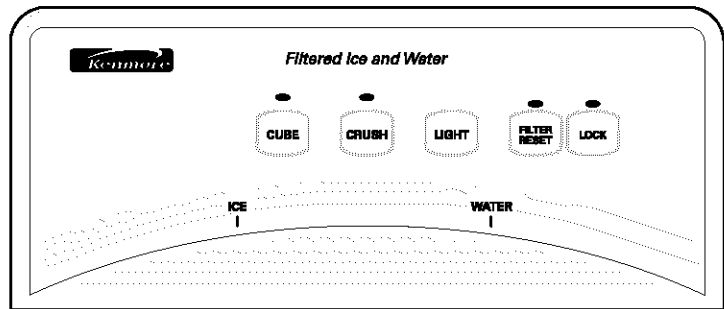
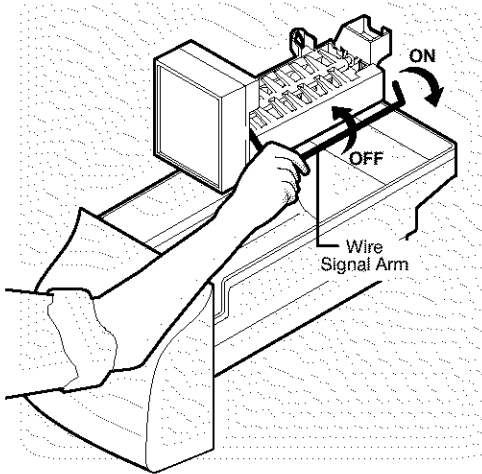
The ice and water dispenser conveniently dispenses chilled water, and ice cubes or crushed ice, depending on the model.

To operate the ice dispenser, select the ice option desired using the touchpad. Press a glass against the dispensing paddle as far up as possible to catch all ice. To stop dispensing ice, pull glass away from dispensing paddle. Do not remove the glass until the ice has completely dispensed. (Complete instructions for the dispenser operation are attached to the inside of the freezer door.)

To operate the water dispenser, press a glass against the dispensing paddle. To stop dispensing water, pull glass away from dispensing paddle. A drip tray located at the base of the dispenser, catches small spills and allows them to evaporate. This drip tray is removable and dishwasher safe. **Do not pour water or excess cubes into this area** because there is no drain.

### Dispenser Light (some models)

The dispenser has a light which can be turned on and off by pressing the *Light* touchpad. The light also turns on automatically when ice and/or water is dispensed. Replace light bulb with an appliance bulb of the same wattage.



Ice and Water Dispenser Panel (features may vary according to model)

### How the Water Dispenser Works

The water tank, located behind the drawers in the refrigerator compartment, automatically fills as water is dispensed. For proper dispenser operation, the recommended supply water pressure should fall between 20 psi and 100 psi.

After the refrigerator is connected to the water supply, fill the water tank by drawing one glass of water. **It may take about 1½ minutes** after activating the dispenser paddle before water begins to fill this first glass. Continue flushing the system for 3 minutes to rid the tank and plumbing connections of any impurities. The water dispenser has a built in shutoff device that will stop the water flow after 3 minutes of continuous use. Simply release the dispenser paddle to reset the shutoff mechanism.

**CAUTION** Chemicals from a malfunctioning softener can damage the ice maker. If the ice maker is connected to soft water, ensure that the softener is maintained and working properly.

### How the Ice Dispenser Works

The ice maker and container are located in the top of the freezer compartment. After the refrigerator is installed properly and has cooled for several hours, the ice maker can begin making ice within 24 hours. Air in new plumbing lines may cause the ice maker to cycle two or three times before making a full tray of ice. To begin ice production, lower the wire signal arm to the "down" or ON position. With no usage it will take approximately 2 days to fill the ice container. The ice maker turns off automatically when the ice container becomes full. To stop the ice maker, lift the wire signal arm until it clicks, and locks in the "up" or OFF position.

Because of new plumbing connections, the first production of ice cubes may be discolored or have an odd flavor. These should be discarded until the cubes made are free of discoloration and taste.

ENGLISH



# Automatic Ice and Water Dispenser

## ICE DISPENSER TIPS

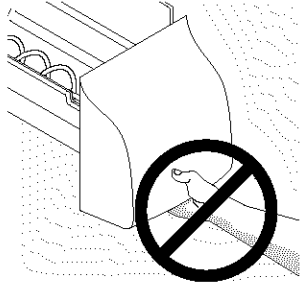
- Ice cubes stored too long may develop an odd flavor. Empty the ice container and ensure that the wire signal arm is in its "down" or ON position. The ice maker will then produce more ice.
- Occasionally shake the ice container to keep ice separated.
- Keep the wire signal arm in its "up" or OFF position until the refrigerator is connected to the water supply or whenever the water supply is turned off.

**⚠ CAUTION** If the dispensing paddle is pushed for more than 4 minutes, the dispenser motor may overload and stop. The overload protector will reset automatically after 3 or 4 minutes.

- If a large quantity of ice is needed at one time, it is best to remove cubes directly from the ice container.
- The following sounds are normal when the ice maker is operating:
  - Motor running
  - Ice loosening from tray
  - Ice dropping into ice container
  - Running water
  - Water valve opening or closing
- Stop the ice maker when cleaning the freezer and during vacations.
- If the ice maker will be turned off for a long period of time, turn the water supply valve to the closed position.

### ⚠ WARNING

Do not use the ice chute as a handle when removing or replacing the ice storage bin. Surfaces there may be sharp.



Do not put fingers up ice chute. Surfaces there may be sharp.

## CLEANING THE ICE DISPENSER

Clean the dispenser and ice container at regular intervals, particularly before you take a vacation or move, or if the ice dispenser sticks.

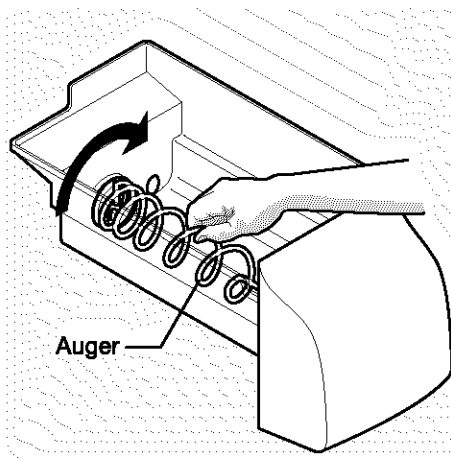
1. Stop ice production by lifting the wire signal arm to the "up" or OFF position.
2. Remove ice container by lifting up and out. Empty and carefully clean the container with **mild** detergent. Rinse with clear water. Do not use harsh or abrasive cleaners. Allow ice container to dry completely before replacing in the freezer.
3. Remove ice chips and clean the shelf and chute that supports the ice container.
4. Replace the ice container. Lower the wire signal arm on the ice maker to the "down" or ON position and the ice maker will resume production.

**IMPORTANT:** When removing or replacing the ice bin, do not rotate the auger in the ice bin. If the auger is accidentally turned, you must realign the auger by turning it in 90° turns until the ice bin fits into place with the drive mechanism. For further instruction, see the label on the ice bucket.

### **Remove and empty the ice storage bin if:**

1. An extended power failure (one hour or longer) causes ice cubes in the ice storage bin to melt and freeze together and jam the dispenser mechanism.
2. The ice dispenser is not used frequently. Ice cubes will freeze together in the bin and jam the dispenser mechanism. Remove the ice storage bin and shake to loosen the cubes.

**NEVER** use an ice pick or similar sharp instrument to break up the ice. This could damage the ice storage bin and dispenser mechanism.





# Automatic Ice and Water Dispenser

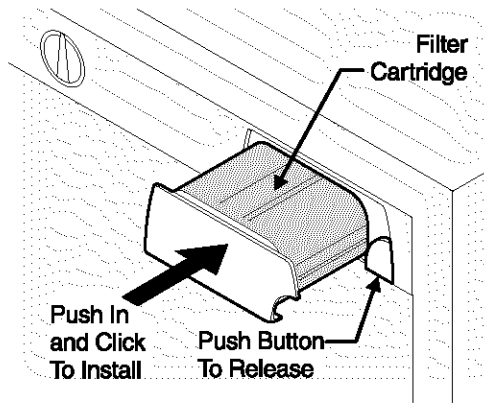
## Kenmore Ice and Water Front Filter (some models)

**NOTE:** If you purchased a refrigerator with a Kenmore Ice and Water front filter, please read the following use and care information. This ice and water filter system filters water to your ice maker and water dispenser. It is located in the upper right front corner of the fresh food compartment.

### System Startup:

Water supply does not need to be turned off, however, do not use ice and water dispenser while installing filter.

The filter cartridge has already been installed in the filter housing at the factory. Refer to the *How The Water Dispenser Works* section to properly fill the system with water.



### Changing the Filter:

Water conditions vary throughout the world, but changing the water filter every 6 - 9 months normally will ensure the highest possible water quality. The Filter Status light will turn red after approximately 400 gallons of water has flowed through the ice and water dispenser. Also, if the filter has been in a refrigerator that has not been in use for awhile (during moving for example), change the filter before reinstalling the refrigerator. The dispenser system will also operate without filtration (with filter cartridge removed and bypass installed).

### To change filter:

It is not necessary to turn the water supply off to change the filter.

1. Set ice maker wire signal arm to the OFF (up) position (See illustration on page 13).
2. Push the *Filter Release Button*, located to the right of the filter cartridge, to release the filter from the housing. To minimize the possibility of the filter falling out of the housing during removal, it would be best to hold the filter as it moves out toward you.

**NOTE:** A small amount of water may be released during this operation. You should have a paper towel or dish cloth handy to wipe up any water that may drip out of the filter or housing. Two small holes near the back of the housing have been added for any excess water to escape. It would be best to clear away any food near this area on the top shelf in advance of removing the filter.

3. Pull the old filter cartridge straight out of the housing.
4. Discard the old filter.
5. Remove the new filter cartridge from the packaging and insert into the filter housing the same way the old one came out.
6. When the cartridge is almost in, you will feel it stop against the clip assembly in the back of the housing. The clip assembly holds the filter cartridge firmly in place. At this point, you will need to push firmly until the cartridge snaps fully in place. When completely in place, the front of the filter cartridge will be flush with the front of the housing.
7. Set the ice maker wire signal arm to the ON (down) position.
8. Fill a glass with water. As you are doing this, check for leaks at the filter housing. There will be noticeable spurts and sputters as the system pushes the air out through the system and out the dispenser nozzle. This is normal.
9. After you have run one glass of water, continue to flush the system for approximately 3 minutes to assure that the purest water possible is stored in the water storage tank.

### IMPORTANT: Resetting The Filter Status Light (some models)

After replacing the filter cartridge, it will be necessary to press the *Filter Reset* button located on the ice and water dispenser. This will reset the Filter Status light. Push the reset button until the green light flashes (3-15 seconds). Please refer to the complete dispenser operating instructions attached to the inside of the freezer door.

Order new filter cartridges through the dealer where you bought the refrigerator, or contact the *Consumer Assistance Center* at 1-800-944-9044. It might be good to order some filter cartridges when you first install your refrigerator. Be sure to ask for *the* Kenmore replacement cartridge.



The *Kenmore* Ice and Water Filter System NGFC 2000 with the *Kenmore* cartridge FC 100 is tested and certified by NSF International, the nationally recognized and respected, not for profit, certification organization for public health safety. The *Kenmore* Filter system is tested and certified to ANSI/NSF Standards 42 and 53. See performance data sheet for specifications. This system should not be used on water that is microbiologically unsafe or with water of unknown quality unless the water has been adequately disinfected before or after traveling through the filtration system.

- Rated Capacity - 400 gallons
- Rated service flow - .5 GPM
- Maximum Rated Pressure - 100 PSI
- Maximum Operating Temp. - 100° F

ENGLISH



# Food Storage & Energy Saving Ideas

## FOOD STORAGE IDEAS

### *Fresh Food Storage*

- The fresh food compartment should be kept between 34° F and 40° F with an optimum temperature of 37° F.
- Avoid overcrowding the refrigerator shelves. This reduces the circulation of air around the food and results in uneven cooling.

### *Fruits and Vegetables*

- Storage in the crisper drawers traps moisture to help preserve the fruit and vegetable quality for longer time periods.

### *Meat*

- Raw meat and poultry should be wrapped securely so leakage and contamination of other foods or surfaces does not occur.

### *Frozen Food Storage*

- The freezer compartment should be kept at 0° F or lower.
- A freezer operates most efficiently when it is at least 2/3 full.

### *Packaging Foods for Freezing*

- To minimize dehydration and quality deterioration, use aluminum foil, freezer wrap, freezer bags or airtight containers. Force as much air out of the packages as possible and seal them tightly. Trapped air can cause food to dry out, change color, and develop an off-flavor (freezer burn).
- Wrap fresh meats and poultry with suitable freezer wrap prior to freezing.
- Do not refreeze meat that has completely thawed.

### *Loading the Freezer*

- Avoid adding too much warm food to the freezer at one time. This overloads the freezer, slows the rate of freezing, and can raise the temperature of frozen foods.
- Leave a space between the packages, so cold air can circulate freely, allowing food to freeze as quickly as possible.
- Avoid storing hard-to-freeze foods such as ice cream and orange juice on the freezer door shelves. These foods are best stored in the freezer interior where the temperature varies less.

ENGLISH



## ENERGY SAVING IDEAS

- Locate the refrigerator in the coolest part of the room, out of direct sunlight, and away from heating ducts or registers. Do not place the refrigerator next to heat-producing appliances such as a range, oven, or dishwasher. If this is not possible, a section of cabinetry or an added layer of insulation between the two appliances will help the refrigerator operate more efficiently.
- Level the refrigerator so that the doors close tightly.
- Refer to this Use & Care Manual for the suggested temperature control settings.
- Periodic cleaning of the condenser will help the refrigerator run more efficiently. See the *Care and Cleaning Chart* on page 17.
- Do not overcrowd the refrigerator or block cold air vents. Doing so causes the refrigerator to run longer and use more energy.
- Cover foods and wipe containers dry before placing them in the refrigerator. This cuts down on moisture build-up inside the unit.
- Organize the refrigerator to reduce door openings. Remove as many items as needed at one time and close the door as soon as possible.



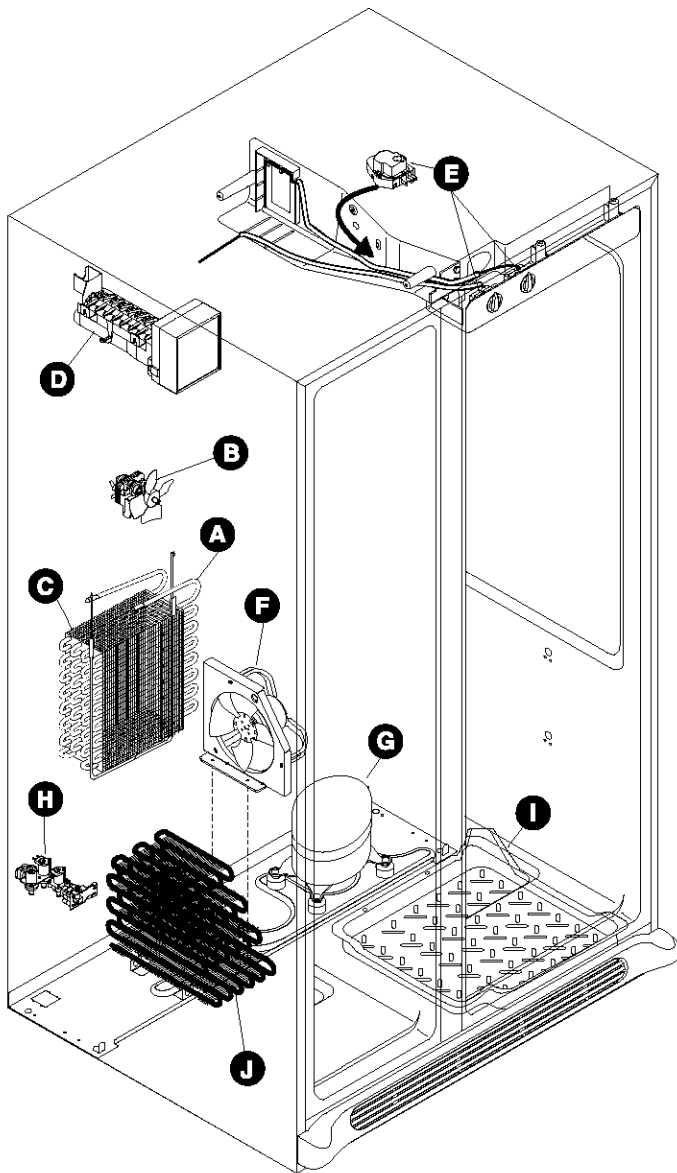


## Normal Operating Sounds & Sights

### UNDERSTANDING THE SOUNDS YOU MAY HEAR

Your new high-efficiency refrigerator may make unfamiliar sounds. Don't be alarmed, these are all normal sounds. Hard surfaces, such as vinyl or wood floors, walls, and kitchen cabinets may make sounds more noticeable. Listed below are descriptions of some of the most common sounds you may hear, and what is causing them.

**NOTE:** Rigid foam insulation is very energy efficient, but is not a sound insulator.



#### A. *Evaporator*

The flow of refrigerant through the evaporator may create a boiling or gurgling sound.

#### B. *Evaporator Fan*

You may hear air being forced through the refrigerator by the evaporator fan. Also, you will feel warm air being pushed out the front of the refrigerator from under the Toe Grille.

#### C. *Defrost Heater*

During defrost cycles, water dripping onto the defrost

**IMPORTANT:** During the automatic defrost cycle, you may notice a red glow in the vents on the back wall of your freezer compartment. This is normal during the defrost cycle.

heater may cause a hissing or sizzling sound. After defrosting, a popping sound may occur.

#### D. *Automatic Ice Maker*

If your refrigerator is equipped with an automatic ice maker, you will hear ice cubes falling into the ice bin.

#### E. *Cold Control & Defrost Timer*

These parts can produce a snapping or clicking sound when turning the refrigerator on and off. The timer also produces sounds similar to an electric clock.

#### F. *Condenser Fan*

You may hear air being forced through the condenser by the condenser fan.

#### G. *Compressor*

Modern, high-efficiency compressors operate much faster than older models. The compressor may have a high-pitched hum or pulsating sound.

#### H. *Water Valve*

If your refrigerator is equipped with an automatic ice maker, you will hear a buzzing sound as the water valve opens to fill the ice maker during each cycle.

#### I. *Drain Pan (not removable)*

You may hear water running into the drain pan during the defrost cycle.

#### J. *Condenser*



## Care & Cleaning

Keep your refrigerator and freezer clean to prevent odor build-up. Wipe up any spills immediately and clean both sections at least twice a year. **Never** use metallic scouring pads, brushes, abrasive cleaners or strong alkaline solutions on any surface. **Do not** wash any removable parts in a dishwasher. **Always unplug the electrical power cord from the wall outlet before cleaning.**

### ⚠ CAUTION

- **When moving the refrigerator, pull straight out. Do not shift the refrigerator from side to side as this may damage the floor. Be careful not to move the refrigerator beyond the plumbing connections.**
- **Damp objects stick to cold metal surfaces. Do not touch refrigerated surfaces with wet or damp hands.**
- **To avoid damage and help the refrigerator run as efficiently as possible, clean the condenser periodically.**

### NOTES:

- Turning the freezer temperature control to OFF turns off the compressor, but does not disconnect electrical power to the light bulb or other electrical components.
- Do not use razor blades or other sharp instruments which can scratch the appliance surface when removing adhesive labels. Any glue left from tape or labels can be removed with a mixture of warm water and mild detergent, or, touch the glue residue with the sticky side of tape you have already removed. **Do not remove the serial plate.**

## Care & Cleaning Chart

Part	Cleaning Agents	Tips and Precautions
Interior/Door Liner	<ul style="list-style-type: none"> <li>• Soap and water</li> <li>• Baking soda and water</li> </ul>	Use 2 tablespoons of baking soda in 1 quart of warm water. <b>Be sure to wring excess water out of sponge or cloth before cleaning around controls, light bulb or any electrical part.</b>
Door Gaskets	<ul style="list-style-type: none"> <li>• Soap and water</li> </ul>	Wipe gaskets with a clean soft cloth.
Drawers/Bins	<ul style="list-style-type: none"> <li>• Soap and water</li> </ul>	Do not wash any removable items (bins, drawers, etc.) in dishwasher.
Glass Shelves	<ul style="list-style-type: none"> <li>• Soap and water</li> <li>• Glass cleaner</li> <li>• Mild liquid sprays</li> </ul>	Allow glass to warm to room temperature before immersing in warm water.
Toe Grille	<ul style="list-style-type: none"> <li>• Soap and water</li> <li>• Mild liquid sprays</li> <li>• Vacuum attachment</li> </ul>	Vacuum dust from front of toe grille. Remove toe grille (See illustration on page 5). Vacuum backside and wipe with sudsy cloth or sponge. Rinse and dry.
Exterior and Handles	<ul style="list-style-type: none"> <li>• Soap and water</li> </ul>	Do not use commercial household cleaners, ammonia, or alcohol to clean handles.
Exterior and Handles (Stainless Steel Models Only)	<ul style="list-style-type: none"> <li>• Soap and water</li> <li>• Ammonia</li> <li>• Stainless Steel Cleaners</li> </ul>	Clean stainless steel front and handles with soapy water. Use ammonia on stubborn spots. Use a non-abrasive stainless steel cleaner. These cleaners can be purchased at most home improvement or major department stores.
Condenser Coils	<ul style="list-style-type: none"> <li>• Vacuum attachment</li> </ul>	Use the dusting tool attachment on your vacuum to remove dust build-up on the condenser coils (see item "J" in illustration on page 17 for location).

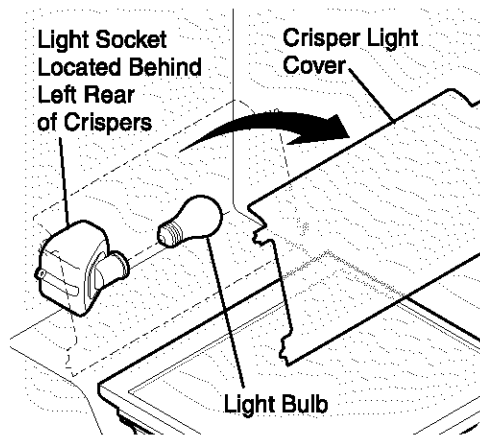


## Care & Cleaning (continued)

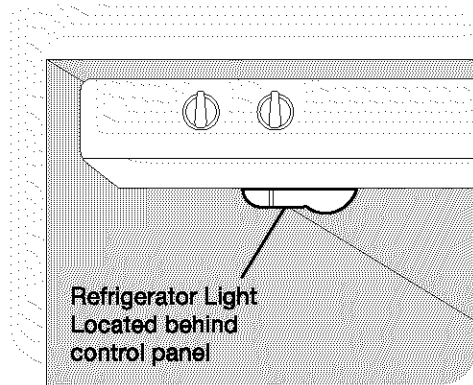
**CAUTION** Wear gloves when replacing light bulbs to avoid getting cut.

### REPLACING LIGHT BULBS

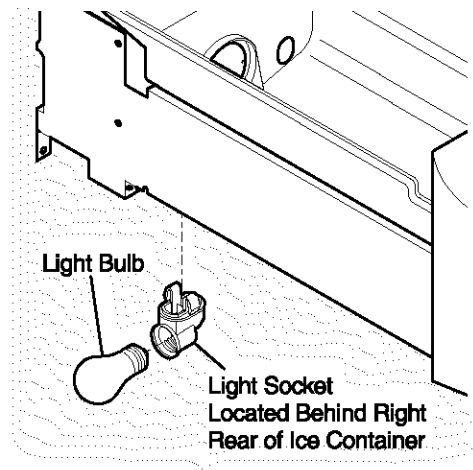
1. Unplug refrigerator.
2. Wear gloves as protection against possible broken glass.
3. Remove light cover, if necessary.
4. Unscrew and replace old bulb with an appliance bulb of the same wattage.
5. Replace light cover, if necessary.
6. Remember to plug the refrigerator back in.



Crisper Light Replacement (Some Models)



Refrigerator Light Replacement



Freezer Light Replacement

## Vacation and Moving Tips

<b>Short Vacations</b>	<ul style="list-style-type: none"> <li>• Leave refrigerator operating during vacations of 3 weeks or less.</li> <li>• Use all perishable items from refrigerator compartment.</li> <li>• Turn automatic ice maker off, even if you will only be gone for a few days.</li> </ul>
<b>Long Vacations</b>	<ul style="list-style-type: none"> <li>• Remove all food and ice if you will be gone one month or more.</li> <li>• Turn controls to OFF and disconnect power.</li> <li>• Turn off automatic ice maker and turn water supply valve to closed position.</li> <li>• Clean interior thoroughly.</li> <li>• Leave both doors open to prevent odors and mold build-up. Block doors open if necessary.</li> </ul>
<b>Moving</b>	<ul style="list-style-type: none"> <li>• Remove all food and ice.</li> <li>• If using handcart, load from side.</li> <li>• Adjust rollers all the way up to protect them during sliding or moving.</li> <li>• Pad cabinet to avoid scratching surface.</li> </ul>

**IMPORTANT:** If the refrigerator is going to be stored or moved in freezing temperatures, the water in the ice and water system must be drained completely. Failure to do so could result in water leaks when the refrigerator is put back into service. Contact a service representative to perform this operation.



## Before You Call

PROBLEM	CAUSE	CORRECTION
<b>RUNNING OF REFRIGERATOR</b>		
<b>Compressor does not run.</b>	<ul style="list-style-type: none"> <li>• Freezer control is OFF.</li> <li>• Refrigerator is in defrost cycle.</li>   <li>• Plug at wall outlet is disconnected.</li> <li>• House fuse blown or tripped circuit breaker.</li> <li>• Power outage.</li> </ul>	<ul style="list-style-type: none"> <li>• Set freezer control. See <b>Temperature Controls</b> section.</li> <li>• This is normal for a fully automatic defrost refrigerator. The defrost cycle occurs periodically, lasting about 30 minutes.</li> <li>• Ensure plug is tightly pushed into outlet.</li>   <li>• Check/replace fuse with a 15 amp time-delay fuse. Reset circuit breaker.</li> <li>• Check house lights. Call local Electric Company.</li> </ul>
<b>Refrigerator runs too much or too long.</b>	<ul style="list-style-type: none"> <li>• Room or outside weather is hot.</li> <li>• Refrigerator has recently been disconnected for a period of time.</li> <li>• Automatic ice maker is operating.</li> <li>• Doors are opened too frequently or too long.</li> <li>• Refrigerator/freezer door may be slightly open.</li>   <li>• Freezer control is set too cold (control found in refrigerator section).</li> <li>• Refrigerator/freezer gasket is dirty, worn, cracked, or poorly fitted.</li> <li>• Condenser is dirty.</li> </ul>	<ul style="list-style-type: none"> <li>• It's normal for the refrigerator to work longer under these conditions.</li> <li>• It takes 8-12 hours for the refrigerator to cool down completely.</li>   <li>• Ice maker operation causes refrigerator to run slightly more.</li> <li>• Warm air entering the refrigerator causes it to run more. Open doors less often.</li> <li>• Ensure refrigerator is level. Keep food and containers from blocking door. See <b>PROBLEM</b> section <b>OPENING/CLOSING OF DOORS/DRAWERS</b>.</li> <li>• Set refrigerator control to warmer setting until refrigerator temperature is satisfactory. Allow 24 hours for temperature to stabilize.</li> <li>• Clean or change gasket. Leaks in door seal will cause refrigerator to run longer in order to maintain desired temperatures.</li> <li>• Clean condenser. See <i>Care &amp; Cleaning Chart</i> in <b>Care and Cleaning</b> section.</li> </ul>
<b>Compressor goes off and on frequently.</b>	<ul style="list-style-type: none"> <li>• Thermostat keeps the refrigerator at a constant temperature.</li> </ul>	<ul style="list-style-type: none"> <li>• This is normal. Refrigerator goes on and off to keep temperature constant.</li> </ul>
<b>TEMPERATURES ARE TOO COLD</b>		
<b>Freezer temperature too cold. Refrigerator temperature is satisfactory.</b>	<ul style="list-style-type: none"> <li>• Freezer control is set too cold.</li> </ul>	<ul style="list-style-type: none"> <li>• Set freezer control to a warmer setting. Allow 24 hours for temperature to stabilize.</li> </ul>
<b>Refrigerator temperature too cold. Freezer temperature is satisfactory.</b>	<ul style="list-style-type: none"> <li>• Refrigerator control is set too cold.</li> </ul>	<ul style="list-style-type: none"> <li>• Set refrigerator control to a warmer setting. Allow 24 hours for temperature to stabilize.</li> </ul>
<b>Food stored in drawers freezes.</b>	<ul style="list-style-type: none"> <li>• Refrigerator control is set too cold.</li> </ul>	<ul style="list-style-type: none"> <li>• See solution above.</li> </ul>
<b>Food stored in Meat Keeper freezes (some models).</b>	<ul style="list-style-type: none"> <li>• Meat Keeper Temperature Control set too cold.</li> </ul>	<ul style="list-style-type: none"> <li>• Adjust Meat Keeper Temperature Control to a lower setting. (Meat should be stored at a temperature just below the freezing point for maximum fresh storage time. It is normal for ice crystals to form due to the moisture content of meat.)</li> </ul>

ENGLISH



## Before You Call (continued)

PROBLEM	CAUSE	CORRECTION
<b>TEMPERATURES ARE TOO WARM</b>		
Freezer/Refrigerator temperature is too warm.	<ul style="list-style-type: none"> <li>Doors are opened too frequently or too long.</li> <li>Door is slightly open.</li> <li>Condenser is dirty.</li> </ul>	<ul style="list-style-type: none"> <li>Warm air enters the refrigerator whenever the door is opened. Open the door less often.</li> <li>See <b>PROBLEM</b> section <b>OPENING/CLOSING OF DOORS/DRAWERS</b>.</li> <li>Clean condenser. See <i>Care &amp; Cleaning Chart</i> in <b>Care and Cleaning</b> section.</li> </ul>
Freezer temperature is too warm. Refrigerator temperature is satisfactory.	<ul style="list-style-type: none"> <li>Freezer control is set too warm.</li> </ul>	<ul style="list-style-type: none"> <li>Set freezer control to a colder setting. Allow 24 hours for temperature to stabilize.</li> </ul>
Refrigerator temperature is too warm. Freezer temperature is satisfactory.	<ul style="list-style-type: none"> <li>Refrigerator control is set too warm.</li> </ul>	<ul style="list-style-type: none"> <li>Set refrigerator control to a colder setting. Allow 24 hours for temperature to stabilize.</li> </ul>
Temperature in the Meat Keeper is too warm (some models).	<ul style="list-style-type: none"> <li>Meat Keeper Temperature Control is set too warm.</li> </ul>	<ul style="list-style-type: none"> <li>Adjust Meat Keeper Temperature Control to a colder setting.</li> </ul>
<b>WATER/MOISTURE/FROST INSIDE REFRIGERATOR</b>		
Moisture collects on inside of refrigerator walls.	<ul style="list-style-type: none"> <li>Weather is hot and humid.</li> <li>Door is slightly open.</li> <li>Door is opened too often or too long.</li> <li>Open containers.</li> </ul>	<ul style="list-style-type: none"> <li>The rate of frost buildup and internal sweating increases.</li> <li>See <b>PROBLEM</b> section <b>OPENING/CLOSING OF DOORS/DRAWERS</b>.</li> <li>Open door less often.</li> <li>Keep containers covered.</li> </ul>
Water collects on bottom side of drawer cover.	<ul style="list-style-type: none"> <li>Vegetables contain and give off moisture.</li> </ul>	<ul style="list-style-type: none"> <li>It is not unusual to have moisture on the bottom side of the cover.</li> <li>Move humidity control (some models) to lower setting.</li> </ul>
Water collects in bottom of drawer.	<ul style="list-style-type: none"> <li>Washed vegetables and fruit drain while in the drawer.</li> </ul>	<ul style="list-style-type: none"> <li>Dry items before putting them in the drawer. Water collecting in bottom of drawer is normal.</li> </ul>
<b>WATER/MOISTURE/FROST OUTSIDE REFRIGERATOR</b>		
Moisture collects on outside of refrigerator or between doors.	<ul style="list-style-type: none"> <li>Weather is humid.</li> <li>Door is slightly open, causing cold air from inside refrigerator to meet warm air from outside.</li> </ul>	<ul style="list-style-type: none"> <li>This is normal in humid weather. When humidity is lower, the moisture should disappear.</li> <li>See <b>PROBLEM</b> section <b>OPENING/CLOSING OF DOORS/DRAWERS</b>.</li> </ul>
<b>AUTOMATIC ICE MAKER</b>		
Ice maker is not making any ice.	<ul style="list-style-type: none"> <li>Ice maker wire signal arm is in the "up" or <b>OFF</b> position.</li> <li>Household water line valve is not open.</li> <li>Freezer is not cold enough.</li> <li>Saddle valve on cold water pipe is clogged or restricted by foreign material.</li> <li>Check to see if the water dispenser is dispensing water.</li> </ul>	<ul style="list-style-type: none"> <li>Move wire signal arm to the "down" or <b>ON</b> position.</li> <li>Turn on household water line valve.</li> <li>See <b>PROBLEM</b> section <b>TEMPERATURES ARE TOO WARM</b>.</li> <li>Turn off household water line valve. Remove valve. Ensure that valve is not a self-piercing saddle valve. Clean valve. Replace valve if necessary.</li> <li>If not, the ice &amp; water filter cartridge is clogged or restricted by foreign material, and must be replaced.</li> </ul>



## Before You Call (continued)

PROBLEM	CAUSE	CORRECTION
<b>AUTOMATIC ICE MAKER (CONTINUED)</b>		
Ice maker is not making enough ice.	<ul style="list-style-type: none"> <li>• Ice maker is producing less ice than you expect.</li> <li>• Freezer is not cold enough.</li> <li>• Household water line valve is not completely open.</li> <li>• Check to see if water dispenser is dispensing slower than normal.</li> </ul>	<ul style="list-style-type: none"> <li>• Ice maker should produce approximately 4 – 5 pounds of ice every 24 hours. <i>Extra Ice</i>s should produce up to 8 pounds of ice every 24 hours.</li> <li>• See <b>PROBLEM</b> section <b>TEMPERATURES ARE TOO WARM</b>.</li> <li>• Turn on household water line valve.</li> <li>• If it is, replace the ice &amp; water filter cartridge.</li> </ul>
Ice maker will not stop making ice.	<ul style="list-style-type: none"> <li>• Ice maker wire signal arm is being held down by some item in the freezer.</li> </ul>	<ul style="list-style-type: none"> <li>• Move item and release wire signal arm. Remove any ice cubes that are frozen together over the wire signal arm.</li> </ul>
Ice maker is not separating the ice cubes.	<ul style="list-style-type: none"> <li>• Ice cubes are not being used frequently enough.</li> <li>• Ice cubes are hollow or smaller than normal.</li> </ul>	<ul style="list-style-type: none"> <li>• Remove and shake ice container to separate cubes.</li> <li>• The ice &amp; water filter cartridge may be clogged. Replace filter cartridge.</li> </ul>
Ice has bad odor and taste.	<ul style="list-style-type: none"> <li>• Ice has picked up odor or flavor from strong food stored in refrigerator or freezer.</li> <li>• Water running to ice maker has poor taste or odor.</li> <li>• Ice not used frequently enough.</li> </ul>	<ul style="list-style-type: none"> <li>• Cover foods tightly. Discard stale ice. Ice maker will produce fresh supply.</li> <li>• Add filter to water supply line. Consult a water purifying company.</li> <li>• Discard stale ice.</li> </ul>
<b>ICE DISPENSER</b>		
Dispenser will not dispense ice.	<ul style="list-style-type: none"> <li>• Ice storage container is empty.</li> <li>• Freezer temperature is set too warm.</li> <li>• Household water line valve is not open.</li> <li>• Freezer door is not closed.</li> <li>• Ice dispensing arm has been held in for more than 4-5 minutes.</li> </ul>	<ul style="list-style-type: none"> <li>• When the first supply of ice is dropped into the container, the dispenser should operate.</li> <li>• Turn freezer control to a higher setting so that ice cubes will be made. When first supply of ice is made, dispenser should operate.</li> <li>• Open household water line valve. Allow sufficient time for the ice to be made. When ice is made, the dispenser should operate.</li> <li>• Ensure freezer door is closed.</li> <li>• Motor is overloaded. Motor overload protector will reset in approximately 3 minutes. Ice can then be dispensed.</li> </ul>
Ice dispenser is jammed.	<ul style="list-style-type: none"> <li>• Ice has melted and frozen around auger due to infrequent use, temperature fluctuations, and/or power outages.</li> <li>• Ice cubes are jammed between ice maker and back of ice container.</li> <li>• Ice cubes are frozen together.</li> <li>• Ice cubes are hollow or smaller than normal.</li> </ul>	<ul style="list-style-type: none"> <li>• Remove ice container, thaw, and empty the contents. Clean container, wipe dry, and replace in proper position. When new ice is made, dispenser should operate.</li> <li>• Remove ice cubes that are jamming the dispenser.</li> <li>• Use the dispenser often so that cubes do not freeze together.</li> <li>• The ice &amp; water filter cartridge could be clogged. Replace the filter cartridge. Dispensing system operates best at 20 – 100 psi water pressure. Well water pressures should fall within this range.</li> </ul>

ENGLISH



## Before You Call (continued)

PROBLEM	CAUSE	CORRECTION
<b>WATER DISPENSER</b>		
Dispenser will not dispense water.	<ul style="list-style-type: none"> <li>• Household water line valve is not open.</li> <li>• Freezer door is not closed.</li> <li>• Ice &amp; water filter cartridge is clogged.</li> </ul>	<ul style="list-style-type: none"> <li>• Open household water line valve. See <b>PROBLEM</b> section <b>ICE MAKER IS NOT MAKING ANY ICE</b>.</li> <li>• Ensure that freezer door is closed.</li> <li>• Replace filter cartridge.</li> </ul>
Water has an odd taste and/or odor.	<ul style="list-style-type: none"> <li>• Water has been in the tank for a period of time.</li> <li>• Unit not properly connected to cold water line.</li> <li>• Tubing used in the household water supply and installation may affect water taste and odor.</li> <li>• Water has a high mineral content.</li> </ul>	<ul style="list-style-type: none"> <li>• Draw and discard 10 – 12 glasses of water to freshen the supply and completely rinse out the tank.</li> <li>• Connect unit to cold water line that supplies water to the kitchen faucet.</li> <li>• For best results, use copper tubing for water connections.</li> <li>• Contact water treatment plant for help.</li> </ul>
Water pressure is extremely low.	<ul style="list-style-type: none"> <li>• Cut-off and cut-on pressures are too low (well systems only).</li> <li>• Reverse osmosis system is in regenerative phase.</li> </ul>	<ul style="list-style-type: none"> <li>• Have someone turn up the cut-off and cut-on pressure on the water pump system (well systems only).</li> <li>• It is normal for a reverse osmosis system to be below 20 psi during the regenerative phase.</li> </ul>
<b>ODORS IN REFRIGERATOR</b>		
Interior is dirty.	<ul style="list-style-type: none"> <li>• Interior needs to be cleaned.</li> <li>• Food with strong odors is in refrigerator.</li> </ul>	<ul style="list-style-type: none"> <li>• See <i>Care &amp; Cleaning Chart</i> in <b>Care and Cleaning</b> section.</li> <li>• Cover food tightly.</li> </ul>
<b>OPENING/CLOSING OF DOORS/DRAWERS</b>		
Door(s) will not close.	<ul style="list-style-type: none"> <li>• Door was closed too hard, causing other door to open slightly.</li> <li>• Refrigerator is not level. It rocks on the floor when moved slightly.</li> <li>• Refrigerator is touching a wall or cabinet.</li> </ul>	<ul style="list-style-type: none"> <li>• Close both doors gently.</li> <li>• Ensure floor is level and solid, and can adequately support the refrigerator. Contact a carpenter to correct a sagging or sloping floor.</li> <li>• Ensure floor is level and solid, and can adequately support the refrigerator. Contact a carpenter to correct a sagging or sloping floor.</li> </ul>
Drawers are difficult to move.	<ul style="list-style-type: none"> <li>• Food is touching shelf on top of drawer.</li> <li>• Track that drawers slide on is dirty.</li> </ul>	<ul style="list-style-type: none"> <li>• Keep less food in drawer.</li> <li>• Clean drawer, rollers, and track. See <i>Care &amp; Cleaning Chart</i> in <b>Care and Cleaning</b> section.</li> </ul>
<b>LIGHT BULB IS NOT ON</b>		
Light bulb is not on.	<ul style="list-style-type: none"> <li>• Light bulb is burned out.</li> <li>• Light switch is stuck.</li> <li>• No electric current is reaching refrigerator.</li> </ul>	<ul style="list-style-type: none"> <li>• See <i>Replacing Light Bulbs</i> in <b>Care and Cleaning</b> section.</li> <li>• Light switch is located on side of refrigerator and freezer liners.</li> <li>• See <b>PROBLEM</b> section <b>RUNNING OF REFRIGERATOR</b>.</li> </ul>



# Bienvenido y felicitaciones

¡Felicitaciones por la compra de su nuevo refrigerador! En **Sears** nos sentimos muy orgullosos de nuestro producto y nos comprometemos totalmente a brindarle el mejor servicio posible. Su satisfacción es nuestra primera prioridad.

Estamos seguros de que disfrutará su nuevo refrigerador y permítanos darle las **gracias** por preferir nuestro producto. Esperamos contar con su preferencia en futuras compras.

## SÍRVASE LEER Y GUARDAR ESTAS INSTRUCCIONES

Este manual de uso y cuidado contiene instrucciones específicas para el funcionamiento de su unidad. Use el refrigerador sólo como se especifica en este manual. Estas instrucciones no pretenden abarcar todas las condiciones y situaciones que pudieran presentarse. Por favor, use el sentido común y tenga precaución al instalar, poner en funcionamiento y darle mantenimiento a cualquier electrodoméstico.

**Escriba los números de modelo y de serie en las siguientes líneas para futura referencia. Dichos números se encuentran en la placa de identificación ubicada en el compartimiento interno del refrigerador.**

**NOTA:** Use sólo jabón y agua para limpiar la placa de identificación.

Número de modelo: \_\_\_\_\_  
 O: 253 \_\_\_\_\_  
 Número de serie: 970 \_\_\_\_\_  
 Fecha de compra: \_\_\_\_\_

## INDICE DE CONTENIDO

Registración del número de modelo y de serie .....	24
Seguridad .....	24-25
Garantía .....	25
Canadá - Garantía limitada .....	26
Instalación .....	27-28
Extracción de puertas .....	29
Características a la vista .....	30
Controles de temperatura .....	31
Vista interior .....	32-34
Distribuidor automático de hielo y agua .....	35-36
Hielo y filtro posterior del agua .....	37
Almacenamiento de alimentos y consejos para el ahorro de energía .....	38
Sonidos normales del funcionamiento .....	39
Cuidado y limpieza .....	40-41
Antes de llamar al servicio técnico .....	42-46

### ADVERTENCIA

Sírvase leer todas las instrucciones antes de usar este refrigerador.

## PARA SU SEGURIDAD

- No almacene ni utilice gasolina u otros líquidos inflamables cerca de este o cualquier otro electrodoméstico. Lea las advertencias sobre inflamabilidad y otros peligros que aparecen en las etiquetas del producto.
- No ponga a funcionar el refrigerador cuando haya vapores explosivos.
- Evite el contacto con las partes móviles del fabricante automático de hielo.
- Quite todas las grapas del cartón, ya que éstas pueden causar heridas graves y también dañar el acabado de otros electrodomésticos o muebles con los que pueden entrar en contacto.

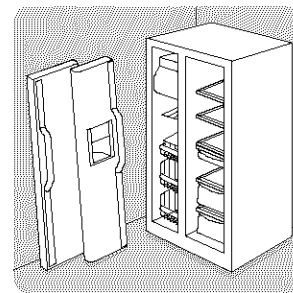
## PARA LA SEGURIDAD DE LOS NIÑOS

Destruya o recicle el cartón, las bolsas plásticas y cualquier material de embalaje externo inmediatamente después de desempacar el refrigerador. Los niños **nunca** deben utilizarlos para jugar. Los cartones cubiertos con alfombras, cubrecamas, sábanas plásticas o envoltura elástica pueden convertirse en cámaras herméticas y provocar asfixia rápidamente.

## ELIMINACIÓN CORRECTA DE SU REFRIGERADOR O CONGELADOR

### Reisgo de encerramiento accidental para los niños

El encerramiento accidental y la asfixia de niños no son problemas del pasado. Los refrigeradores o congeladores desechados o abandonados siguen peligrosos, incluso si van a permanecer en un lugar "sólo por unos pocos días". Si usted va a deshacerse de un viejo refrigerador o congelador, siga las instrucciones que se indican a continuación para prevenir accidentes.



### Antes de eliminar su viejo refrigerador o congelador:

- Quitele las puertas.
- Deje los anaqueles en su lugar para impedir que los niños pueden meterse fácilmente dentro de la unidad.
- Asegúrese de que un técnico deservicio calificado extraiga el líquido refrigerante.





## Instrucciones importantes de seguridad

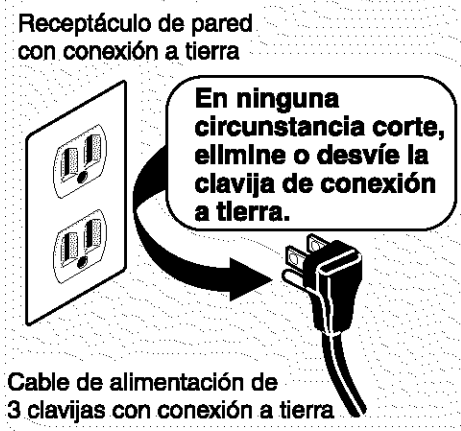


**ADVERTENCIA** Siga estas instrucciones para garantizar el funcionamiento correcto de los mecanismos de seguridad de este refrigerador.

### INFORMACIÓN ELÉCTRICA

- El refrigerador debe enchufarse en una toma de corriente independiente de corriente alterna únicamente y de 115 voltios, 60 Hz. Para su protección contra descargas eléctricas, el cable de alimentación del refrigerador tiene en enchufe de tres clavijas con conexión a tierra. Debe enchufarse directamente en un receptáculo debe estar instalado según los códigos y normativas locales. Consulte con un electricista calificado. **No utilice una extensión ni un adaptador.**
- Inmediatamente repare o reemplace cualquier cable de energía eléctrica que esté desgastado o dañado.
- Nunca tire bruscamente del cable de alimentación para desenchufar el refrigerador. Sujete el enchufe firmemente y jálalo para sacarlo del receptáculo, evitando dañar el cable de energía eléctrica.
- Para evitar descargas eléctricas, desenchufe el refrigerador antes de limpiarlo o cambiarle la bombilla.
- Las variaciones del 10% o más en el voltaje pueden afectar el buen funcionamiento de la unidad. Poner a funcionar el refrigerador con alimentación insuficiente puede dañar el compresor. Tal daño no está cubierto por su garantía.
- Para evitar que el refrigerador sea apagado accidentalmente, no lo enchufe en un toma controlada por un interruptor de pared ni tire del cable de alimentación.
- Evite conectar el refrigerador en un circuito de interruptor de avería por puesta a tierra.

**NOTA:** Al poner el control de temperatura en la posición "O", se apaga el compresor del refrigerador pero no se desconecta la corriente eléctrica que alimenta la bombilla y otros componentes eléctricos.



## Información sobre a garantía

### GARANTÍA COMPLETA DE UN AÑO PARA EL REFRIGERADOR

Dentro de un año a partir de la fecha de compra, cuando este refrigerador sea operado y mantenido de acuerdo con las instrucciones provistas en el Manual del Usuario, Sears reparará este refrigerador, gratuitamente, si tiene defectos de material o mano de obra.

### GARANTÍA COMPLETA DE CINCO AÑOS EN EL SISTEMA DE REFRIGERACIÓN SELLADO

Durante cinco años a partir de la fecha de compra, cuando este refrigerador sea operado y mantenido de acuerdo con las instrucciones indicadas en el Manual del Usuario, Sears reparará el sistema sellado (que se compone del refrigerante, tubería de conexión y motor del compresor), gratuitamente, si tiene defectos de material o mano de obra.

La garantía antes mencionada se aplica solamente a los refrigeradores que son usados para conservación de alimentos en hogares privados.

**GARANTÍA COMPLETA POR 30 DÍAS SOBRE EL CARTUCHO DE FILTRACIÓN DE AGUA DEL REFRIGERADOR KENMORE.** Si el cartucho de filtración de agua del refrigerador *Kenmore* falla debido a un defecto en los materiales o en la mano de obra dentro de los 30 días a partir de la fecha de compra, DEVUÉLVALO A LA TIENDA SEARS MÁS CERCANA A USTED EN LOS ESTADOS UNIDOS y Sears lo reemplazará sin costo alguno.

Esta garantía le otorga derechos específicos y también puede tener otros que varían de estado en estado.

Contacte el Centro De Servicio sears en los Estados Unidos mas proximo a usted para cualquier servicio de garantía. Refiera la ultima pagina de este manual.

Para informacion sobre garantías, por favor contacte la siguiente direccion:

**Sears, Roebuck and Co.**  
Dept. 817WA  
Hoffman Estates, IL 60179



## Información sobre a garantía

# CANADÁ — GARANTÍA LIMITADA



## Refrigeradores

Sears Canadá Inc., garantiza que cada refrigerador *Kenmore* nuevo sea libre de defectos de material o fabricación. Sears hará lo siguiente, gratuito, en el caso un defecto:

¿Que incluye?	¿Durante cuánto tiempo se garantiza? (Desde la fecha de compra)	Partes: A la opción de Sears, reparar o reemplazar una parte por:	Mano de obra: Instalar la parte reparada o la parte de reemplazo por:
El compresor	DIEZ (10) AÑOS	DIEZ (10) AÑOS	CINCO (5) AÑOS
El sistema sellado (consitiendo del refrigerante, evaporador, y condensador)	CINCO (5) AÑOS	CINCO (5) AÑOS	CINCO (5) AÑOS
Todas las otras partes y ajustos	UN (1) AÑO	UN (1) AÑO	UN (1) AÑO

### Responsabilidades Normales del Cliente

Las cosas siguientes, como no son defectos de fabricación, no son incluídas en la garantía, sino son la responsabilidad del cliente:

- 1) Daños al acabamiento después de la entrega.
- 2) Fuente de energía inadecuada, voltaje inadecuado, o cualquier defectos del sistema eléctrico de la casa o el aparato no conectado a un tomacorriente.
- 3) Reemplazo de ampolletas.
- 4) Daños causados por mover el aparato de su sitio de instalación original.
- 5) Servicio requerido como resultado de alteración, abuso, incendio, inundada, o desatres naturales.
- 6) Asegurarse de que circulación de aire adecuada sea disponible al sistema de refrigeración.
- 7) Cuidad y uso apropiados del artefacto, como se detalla en el Manual del Usuario; colocación de los controles apropiada.

Si se requiere algún servicio bajo ésta garantía, sencillamente llame al **1-800-4-MY-HOME** (1-800-469-4663).

Esta garantía es establecida en adición a cualquier garantía estatuida. La garantía arriba cubre los refrigeradores *Kenmore* vendidos y operados en el Canadá único y no aplica sí el refrigerador se usa para propósitos no domésticos.

### Convenio de Mantenimiento Sears

Mantenga el valor de su refrigerador *Kenmore* con un Convenio de Mantenimiento Sears.

**SEARS CANADA INC. • Toronto, Canada • M5B 2B8**

ESPAÑOL



# Instalación

Este manual de uso y cuidado contiene instrucciones específicas para el funcionamiento de su unidad. Use el refrigerador sólo como se especifica en este manual de uso y cuidado. **Antes de encender el refrigerador, siga estos primeros pasos importantes.**

## UBICACIÓN

- Elija un lugar que esté cerca de una toma eléctrica con conexión a tierra. No utilice una extensión ni un adaptador.
- Si es posible, coloque el refrigerador en un lugar donde no reciba luz solar directa. Colóquelo lejos de la estufa, del lavavajillas automático y de cualquier otra fuente de calor.
- El refrigerador debe instalarse en un piso que tenga la superficie nivelada y que resista el peso del refrigerador completamente cargado.
- Tenga en cuenta la disponibilidad de suministro de agua en aquellos modelos que incluyen un fabricante automático de hielo.

## INSTALACIÓN

- No instale el refrigerador en un lugar con temperatura que pueda ser inferior a los 13° C (55° F) o superior a los 43° C (110° F). El compresor no podrá mantener las temperaturas apropiadas dentro del refrigerador.

**PRECAUCIÓN** No bloquee la rejilla de la base ubicada en la parte delantera inferior del refrigerador. La circulación suficiente de aire es esencial para el funcionamiento correcto del refrigerador.

## Espacios libres para la instalación

- Deje los espacios libres siguientes para facilitar la circulación de aire adecuada durante la instalación y para las conexiones eléctricas de fontanería:  
Lados y parte superior -- 3/8"  
Parte trasera ----- 1"

## APERTURA DE PUERTAS

**NOTA:** Si su refrigeradora está ubicada de manera que el lado de la bisagra de la puerta se encuentra contra una pared, deberá dejar un espacio adicional para que la puerta pueda abrirse más.

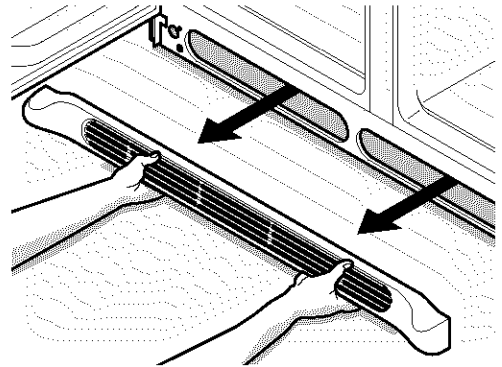
El refrigerador debe estar colocado de manera tal que permita el acceso fácil a un mostrador en el momento de sacar los alimentos. Para utilizar los compartimientos y cestas del congelador de forma óptima, el refrigerador debe estar ubicado de tal manera que tanto las puertas del refrigerador como las del congelador se puedan abrir completamente.

## NIVELACIÓN

Las cuatro esquinas del refrigerador deben apoyarse firmemente sobre piso estable. El refrigerador está equipado con ruedas delanteras ajustables que permiten su nivelación.

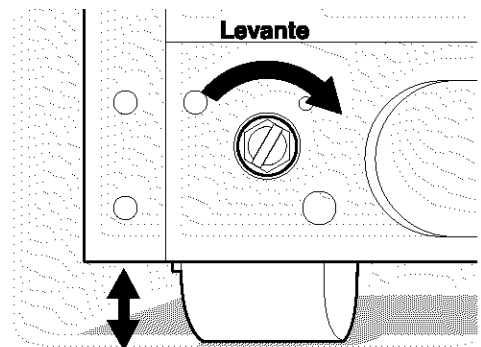
### Para nivelar el refrigerador:

1. Quite la rejilla de la base.



2. Utilice un destornillador plano o una llave de cubo de 9 mm (3/8 de pulg.) para ajustar las ruedas delanteras.

**NOTA:** Las puertas del refrigerador están diseñadas para que se cierren solas si están a 20 grados de la apertura.



3. Revise ambas puertas para cerciorarse de que los sellos en los cuatro lados hagan contacto con el gabinete.



## Instalación - Conexión del fabricante de hielo opcional al suministro de agua

**ADVERTENCIA** Para evitar descargas eléctricas que pudieran causar la muerte o graves lesiones a personas, desconecte el refrigerador de la fuente de alimentación eléctrica antes de conectar la tubería de suministro de agua en el refrigerador.

**PRECAUCIÓN** Para evitar daños a la propiedad:

- Se recomienda utilizar tubería de cobre para la tubería de suministro de agua. No es recomendable utilizar tuberías plásticas de 6,4 mm (¼ de pulg.) para el suministro de agua porque aumentan significativamente el riesgo de filtraciones. El fabricante no se hace responsable de cualquier daño causado por el uso de tubería plástica para la tubería de suministro.
- NO instale la tubería de suministro de agua en áreas donde la temperatura puede ser inferior al punto de congelación.
- Los químicos de un sistema suavizador que no funcione correctamente pueden dañar el fabricante de hielo. Si el fabricante de hielo está conectado a una fuente de agua suavizada, asegúrese de que al sistema suavizador se le dé mantenimiento y que funcione correctamente.

**IMPORTANTE:** Asegúrese de que las conexiones de la tubería de suministro de agua cumplan con todas las normativas locales de plomería.

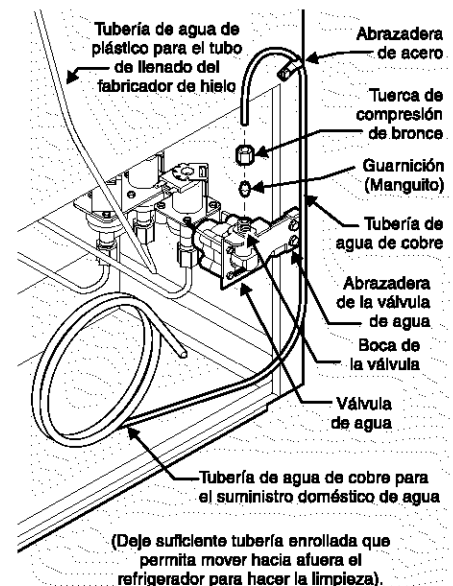
### Para instalar la tubería de suministro de agua, usted necesitará:

- **Herramientas básicas:** llave ajustable, destornillador plano y destornillador con punta Phillips™.
- Acceso a una tubería de suministro doméstico de agua fría con una presión de agua entre 1,4 y 6,89 barios (20 a 100 lb/pulg<sup>2</sup>).
- Una tubería de cobre para el suministro de agua de 6,4 mm (1/4 de pulg) de diámetro externo. Para determinar la longitud necesaria de la tubería de cobre, mida la distancia entre la válvula de entrada del fabricante de hielo ubicada, en la parte posterior del refrigerador, y la tubería de agua fría. Al resultado súmele 2,1 metros (7 pies) aproximadamente para que quede espacio libre que permita mover hacia afuera el refrigerador para hacer limpieza (como se muestra).
- Una válvula de apagado para conectar la tubería de suministro de agua al sistema de suministro doméstico de agua. NO utilice una válvula de apagado tipo autopercutor.
- Una tuerca de compresión y guarnición (manguito) para conectar la tubería de suministro de agua a la válvula de entrada del fabricante de hielo.

**NOTA:** El juego de tubería de agua disponible a un costo adicional en su distribuidor de electro domésticos, contiene 7,6 metros (25 pies) de tubería de cobre de 6,4 mm (¼ de pulg) de diámetro externo, una válvula singular de apagado (no perforante), (2) tuercas de compresión de bronce de 6,4 mm (¼ de pulg) , (2) guarniciones/manguitos, y las instrucciones para instalar la tubería de suministro de agua.

### Para conectar la tubería de suministro de agua a la válvula de entrada del fabricante de hielo

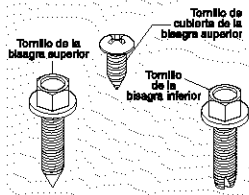
1. Desconecte el refrigerador de la fuente de alimentación eléctrica.
2. Coloque el extremo de la tubería de suministro de agua dentro del fregadero o una cubeta. Abra el suministro de agua y deje correr agua por la tubería de suministro hasta que el agua salga limpia. Cierre el suministro de agua en la válvula de apagado.
3. Desenrosque la tapa plástica de la boca de la válvula de agua. Deseche la tapa.
4. Deslice la tuerca de compresión de bronce, seguida de la guarnición (manguito), en la tubería de suministro de agua, como se muestra.
5. Introduzca la tubería de suministro de agua en la boca de la válvula de agua hasta el punto máximo permitido (6,4 mm o ¼ de pulg). Deslice la guarnición (manguito) dentro de la boca de la válvula y enrosque manualmente la tuerca de compresión dentro de la válvula. Con una llave, enrósquela una media vuelta más. NO la enrosque de masiado.
6. Utilice una abrazadera de acero y un tornillo para asegurar la tubería de suministro de agua en el panel posterior del refrigerador, como se muestra.
7. Enrolle el exceso de la tubería de suministro de agua (aproximadamente 2½ vueltas) detrás del refrigerador, como se muestra en la figura 1, y arregle la tubería enrollada de manera tal que no vibre o se desgaste por el roce con otra superficie.
8. Abra el suministro de agua en la válvula de apagado y apriete cualquier conexión que filtre agua.
9. Reconecte el refrigerador a la fuente de alimentación eléctrica.
10. Para encender el fabricante de hielo, baje el brazo metálico indicador (verifique la posición de encendido/ apagado (ON/OFF) del brazo en la cubierta delantera del fabricante de hielo).



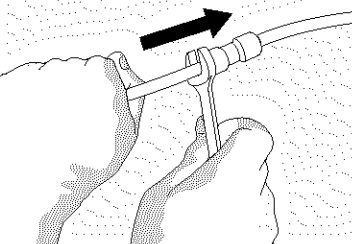
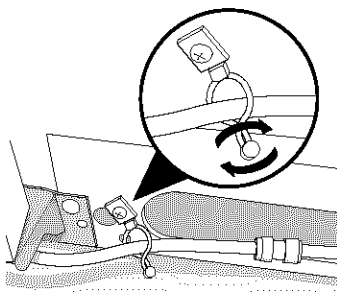
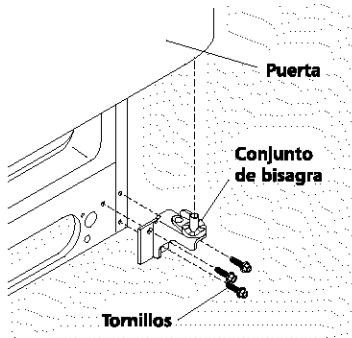
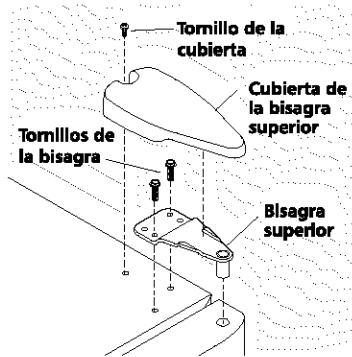
**IMPORTANTE:** El fabricante de hielo tarda aproximadamente 24 horas para comenzar a producir hielo. El aire que circula en las tuberías nuevas puede hacer que el fabricante de hielo inicie dos o tres ciclos antes de fabricar una bandeja completa de hielo. Las tuberías nuevas pueden provocar que el hielo tenga cierta decoloración o sabor extraño. Deseche todo el hielo fabricado durante las primeras 24 horas.



# Instrucciones para extraer las puertas



Herramientas necesarias:



## INSTRUCCIONES PARA LA EXTRACCIÓN DE PUERTA:

*Si es necesario pasar el refrigerador por un marco de puerta estrecho, siga estos pasos para extraer las puertas.*

**IMPORTANTE:** Antes de empezar, coloque el control de temperatura del congelador en la posición de apagado (O) y desenchufe el cable de energía eléctrica de la toma de pared. Saque todos los alimentos que estén en los anaqueles de las puertas.

1. Desconecte el suministro eléctrico.
2. Abra ambas puertas, luego retire la rejilla de la base.
3. Cierre las puertas.

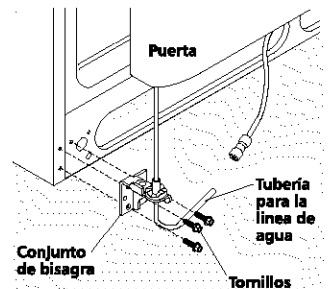
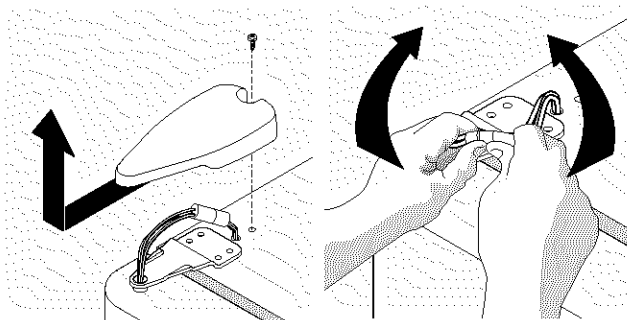
### Para extraer la puerta del refrigerador:

1. Retire el tornillo de la tapa de la bisagra superior de la puerta del refrigerador y quite la tapa.
2. Trace con un lápiz de mina suave alrededor de la bisagra. Esto facilitará la realineación de las puertas al volver a colocarlas.
3. Quite la bisagra superior y levante la puerta del refrigerador, sacándola del vástago de la bisagra inferior. Coloque la puerta a un lado.
4. Quite la bisagra inferior si es necesario.
5. Realice este procedimiento de manera inversa para reinstalar la puerta del refrigerador.

### Para extraer la puerta del congelador:

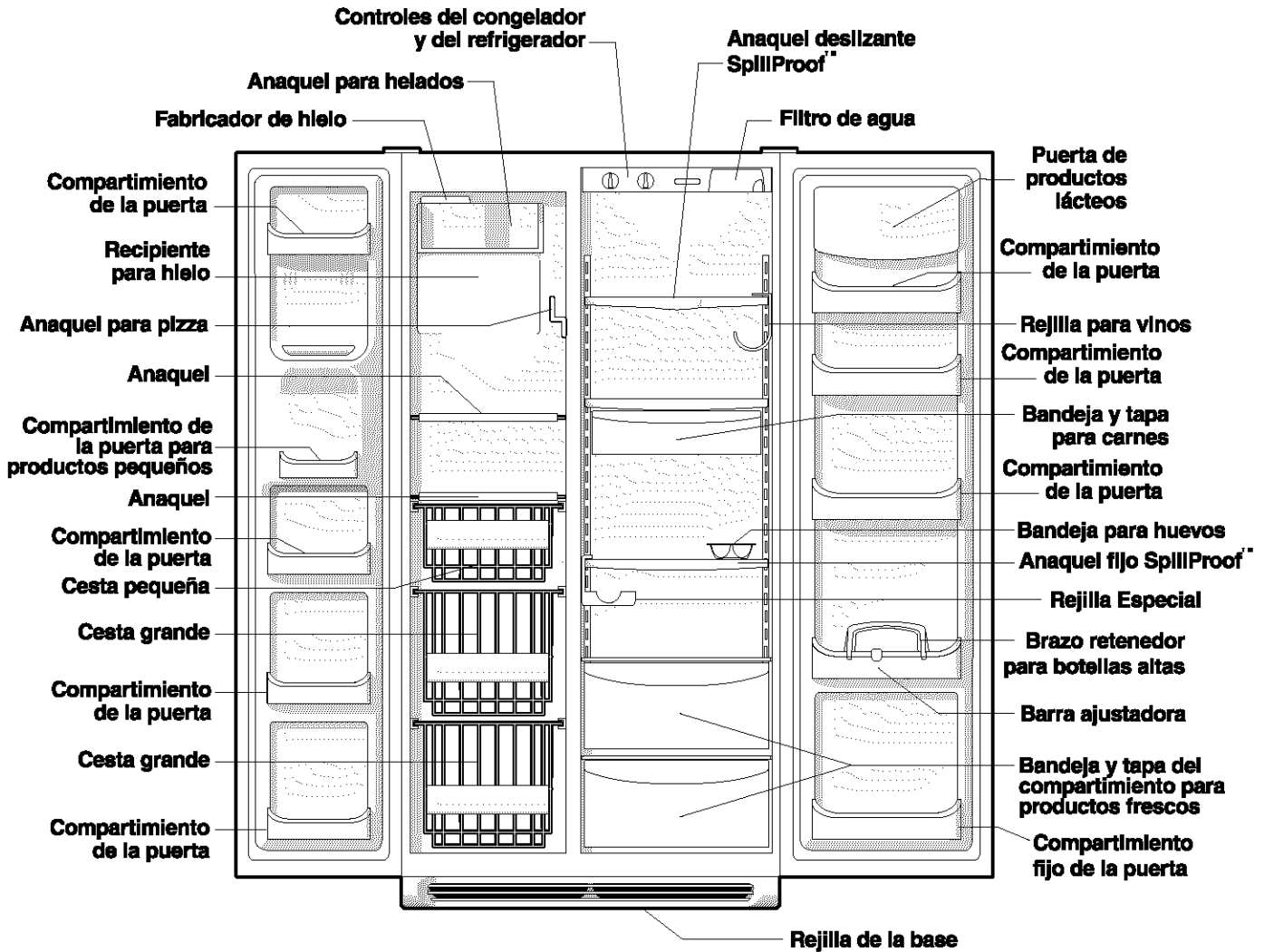
1. Desconecte la tubería de suministro doméstico de agua que sale de la bisagra inferior de la puerta del congelador de la conexión, ubicada bajo la parte frontal del congelador. Sujete el tubo de agua firmemente con una mano y luego con la llave de 3/8 de pulg. o con los dedos empuje el collarín gris hacia adentro para liberar el conector de agua.
2. Retire el tornillo de la tapa de la bisagra superior de la puerta del congelador y quite la tapa.
3. Desconecte el conector de tapón del arnés del cableado en la bisagra superior: Coloque los pulgares en los lados planos de cada conector y doble ambas piezas hacia atrás y hacia delante. Luego, sujetando firmemente, hale las dos piezas para separarlas.
4. Trace con un lápiz de mina suave alrededor de la bisagra. Esto facilitará la realineación de las puertas al volver a colocarlas.
5. Quite la bisagra superior, permitiendo que el arnés del cableado salga por la bisagra y levante la puerta del refrigerador, sacándola del vástago de la bisagra inferior. Coloque la puerta plana para evitar doblar la tubería de agua.
6. Quite la bisagra inferior si es necesario.
7. Realice este procedimiento de manera inversa para reinstalar la puerta del congelador.

Cuando haya reinstalado ambas puertas, reeplace la rejilla de la base y enchufe el cable de energía eléctrica. Coloque ambos controles de temperatura en la posición central. Cambie este ajuste si es necesario.





## Características a la vista



*Las características pueden variar según el modelo*



## Controles de temperatura

### PERÍODO DE ENFRIAMIENTO

Para garantizar el almacenamiento correcto de los alimentos, deje funcionar el refrigerador con las puertas cerradas por un tiempo mínimo de 8 a 12 horas antes de colocar alimentos en el interior.

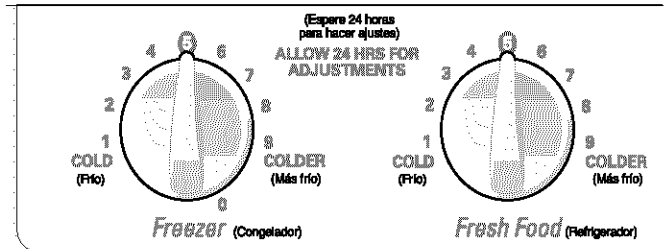
### CONTROLES DEL REFRIGERADOR Y EL CONGELADOR

**NOTA:** Al ajustar los controles por primera vez o al cambiar la posición, espere 24 horas para que la temperatura se estabilice antes de hacer otros cambios.

### AJUSTE DE LA TEMPERATURA

- Transcurridas 24 horas, haga los ajustes de los controles que sean necesarios. **Ajuste gradualmente el control de la temperatura: mueva la perilla poco a poco, hasta lograr que la temperatura se estabilice.**
- Para obtener una temperatura más fría, gire la perilla hacia **Colder** (más frío).
- Para obtener una temperatura menos fría, gire la perilla hacia **Cold** (frío).

Para mantener las temperaturas, un ventilador hace circular el aire en los compartimientos del refrigerador y del congelador. Para lograr una buena circulación, no bloquee con alimentos las salidas de aire frío.



Controles del refrigerador y del congelador

**IMPORTANTE:** Al colocar el control de temperatura en la posición "O", se apaga el compresor del refrigerador pero no se desconecta la corriente eléctrica que alimenta la bombilla y otros componentes eléctricos.

GUÍA PARA EL AJUSTE DE TEMPERATURA	
Si el compartimiento del refrigerador no está lo suficientemente frío	Gire ligeramente el control del refrigerador hacia <b>Colder</b> (más frío)
Si el compartimiento del refrigerador está excesivamente frío	Gire ligeramente el control del refrigerador hacia <b>Cold</b> (frío)
Si el compartimiento del congelador no está lo suficientemente frío	Gire ligeramente el control del congelador hacia <b>Colder</b> (más frío)
Si el compartimiento del congelador está excesivamente frío	Gire ligeramente el control del congelador hacia <b>Cold</b> (frío)
Para apagar el refrigerador	Gire el control del congelador hacia "O".



## Vista interior

### ANAQUEL QUE SE PUEDE LEVANTAR (EN CIERTOS MODELOS)

Un anaquel que se levanta en la sección del congelador permite almacenar con facilidad los artículos altos.

**⚠ PRECAUCIÓN** Para evitar lesiones personales o daños a la propiedad, maneje los compartimientos de vidrio endurecido cuidadosamente. Estos pueden romperse si se rasguñan, rayan o si sufren cambios repentinos de temperatura.

### AJUSTE DEL ANAQUEL VOLADIZO

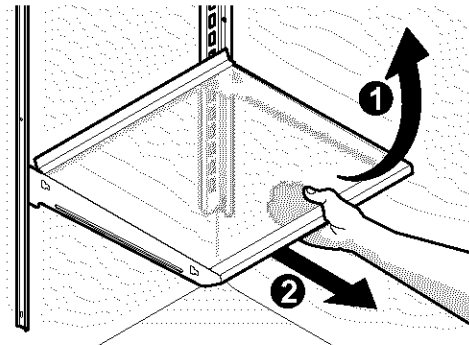
Los anaqueles del refrigerador se pueden ajustar fácilmente para satisfacer las necesidades individuales. Antes de ajustar los anaqueles, saque todos los alimentos. Los anaqueles voladizos se apoyan en la parte posterior del refrigerador.

#### Para ajustar los anaqueles voladizos:

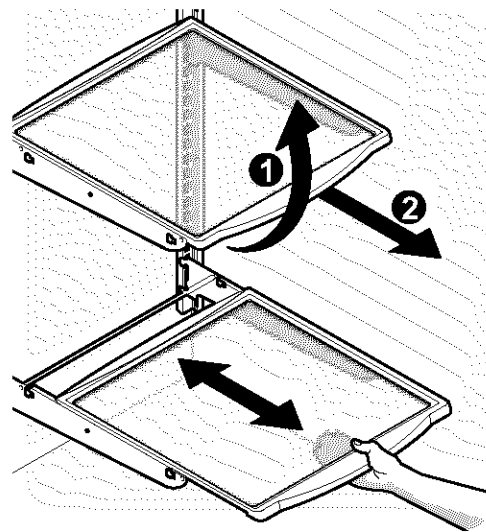
- 1 Levante el borde delantero hacia arriba.
- 2 Saque el anaquel hacia afuera.

Para colocar el anaquel, introduzca los ganchos que se encuentran en la parte posterior del anaquel en el soporte vertical en la pared. Baje el anaquel hasta las ranuras deseadas y fíjelo en posición.

Los anaqueles de vidrio *SpillProof™* (en ciertos modelos) recogen y retienen los derrames accidentales. En algunos modelos, los anaqueles *SpillProof™* se deslizan hacia afuera, permitiendo un mayor acceso a los alimentos y facilidad de limpieza. Los anaqueles se deslizan hacia afuera independientemente de los soportes voladizos. Sólo tire de



Anaquele voladizo de vidrio



Anaquele voladizo de vidrio corredizo





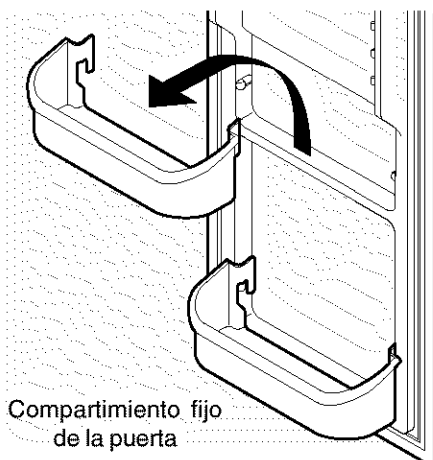
## Vista interior (continuación)

### ALMACENAMIENTO EN LAS PUERTAS

Los compartimientos, anaqueles y rejillas de las puertas están diseñados para el fácil almacenamiento de tarros, botellas y latas. Permiten el acceso rápido a artículos de uso frecuente.

Ciertos modelos tienen rejillas o compartimientos en las puertas con espacio suficiente para recipientes plásticos de bebidas de 3,8 litros (1 galón) de capacidad, además de tarros y otros recipientes de tamaño económico. Algunas rejillas ajustables brindan mayor capacidad de almacenamiento.

El compartimiento de los productos lácteos, que es menos frío que la sección general de almacenamiento de alimentos, está diseñado para almacenar quesos, cremas para untar o mantequilla por períodos cortos.



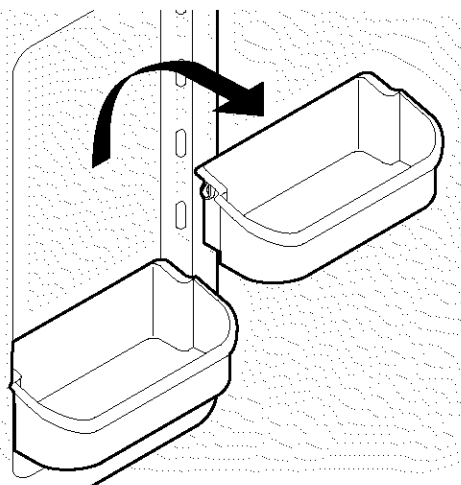
Compartimiento fijo de la puerta

### COMPARTIMIENTOS AJUSTABLES DE LA PUERTA

Ciertos modelos tienen compartimientos ajustables en la puerta que pueden moverse de acuerdo a las necesidades individuales.

*Para mover los compartimientos de la puerta*

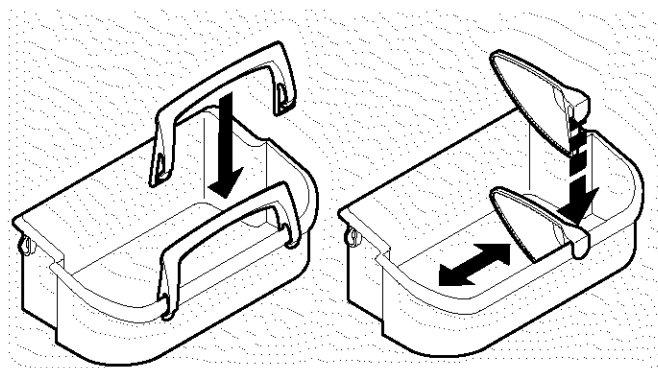
1. Levante el compartimiento hacia arriba.
2. Saque el compartimiento.
3. Coloque el compartimiento en la posición deseada.
4. Baje el compartimiento hasta que encaje bien en su lugar.



Compartimiento ajustable de la puerta

### BRAZO RETENEDOR PARA BOTELLAS ALTAS (EN CIERTOS MODELOS)

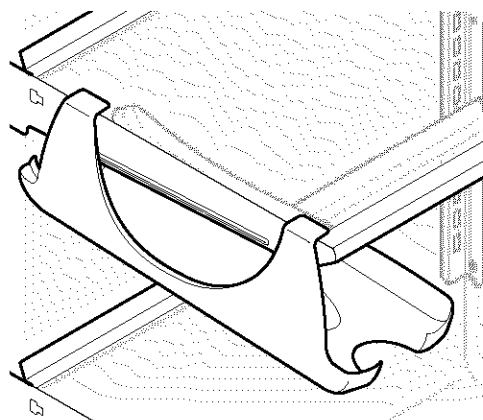
El brazo retenedor para botellas altas evita que se caigan los recipientes altos que se encuentran en el compartimiento al abrir o cerrar la puerta del refrigerador. Para colocarlo, sujete el brazo retenedor por la parte superior y deslícelo sobre la pared externa del compartimiento, como se muestra en el dibujo. El brazo retenedor funciona mejor con una barra ajustadora de compartimiento.



Brazo retenedor para botellas altas (izquierda) y barra ajustadora de compartimiento (derecha)

### REJILLA ESPECIAL (EN CIERTOS MODELOS)

El innovador diseño de la Rejilla Especial le permite guardar un empaque con seis de latas de 12 onz., una botella de vino, una botella de dos litros o una caja de huevos. La Rejilla Especial se encuentra al lado **izquierdo** de su refrigeradora. Para instalarlo, sólo deslice la Rejilla Especial sobre un anaquel tal como se indica en el gráfico.



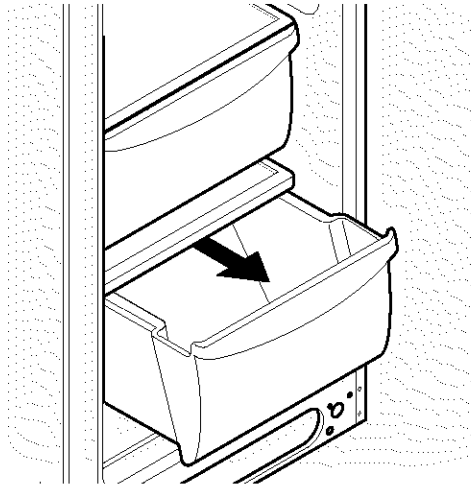
Rejilla Especial



## Vista interior - Áreas especiales de almacenamiento

### COMPARTIMIENTO PARA PRODUCTOS FRESCOS (EN CIERTOS MODELOS)

Los compartimientos para productos frescos, ubicados debajo del anaquel inferior del refrigerador, están diseñados para almacenar frutas, vegetales y otros productos frescos. Lave los alimentos en agua limpia y elimine el exceso de agua antes de colocarlos en los compartimientos para productos frescos. Se recomienda envolver los alimentos que tengan un olor penetrante o mucha humedad antes de almacenarlos.

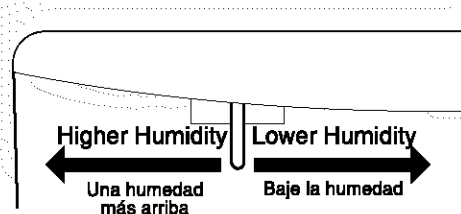


Compartimiento para productos frescos

### CONTROL DE HUMEDAD (EN CIERTOS MODELOS)

El control de humedad, incluido en ciertos modelos con compartimientos para productos frescos, permite ajustar la humedad dentro del mismo. Con esta función se prolonga la frescura de los vegetales que se conservan mejor en ambientes de humedad alta.

**NOTA:** Los vegetales de hojas verdes se conservan mejor cuando el control de humedad está en la posición **Higher Humidity** (una humedad más arriba), o en un compartimiento sin control de humedad. Así se reduce al mínimo el flujo de aire entrante y se conserva el máximo contenido de humedad.



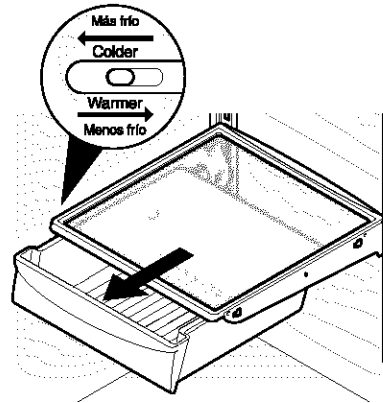
Control de humedad del compartimiento para productos frescos

### COMPARTIMIENTO PARA CHARCUTERÍA (EN CIERTOS MODELOS)

Ciertos modelos están equipados con un compartimiento para charcutería para guardar fiambres de carne, cremas para untar, quesos y otros artículos de charcutería.

### COMPARTIMIENTO PARA CARNES (EN CIERTOS MODELOS)

Ciertos modelos están equipados con un compartimiento para carnes. La temperatura de este compartimiento se puede ajustar moviendo el control de temperatura del compartimiento para carnes hacia la izquierda o derecha. Utilice este compartimiento para períodos cortos de almacenamiento de grandes trozos de carne. Si la carne va a permanecer más de uno o dos días, es mejor congelarla. El compartimiento para carnes no se puede mover hacia arriba o abajo porque es un compartimiento fijo. Si se almacenan frutas y vegetales en este compartimiento, fije el control de temperatura del mismo en un valor menos frío para evitar que los productos se congelen.

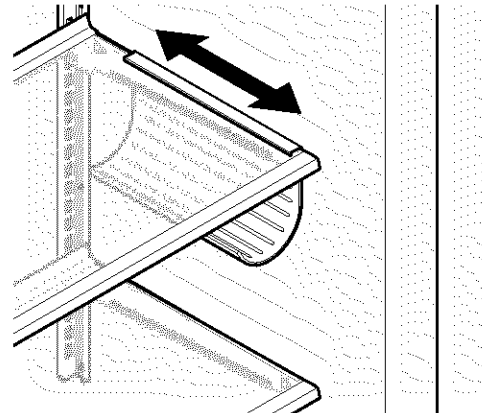


Compartimiento para carnes con control de temperatura

**NOTA:** El encargado de la carne puede ser quitado para la limpieza. Para quitar, tire del encargado de la carne derecho hacia fuera mientras que levanta para arriba hacia la parte posterior en el fondo del encargado de la carne.

### REJILLA PARA VINOS (EN CIERTOS MODELOS)

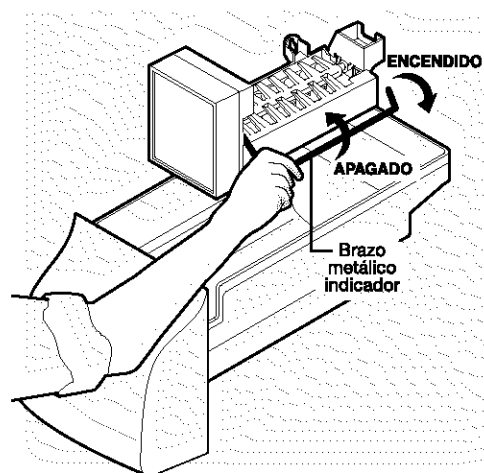
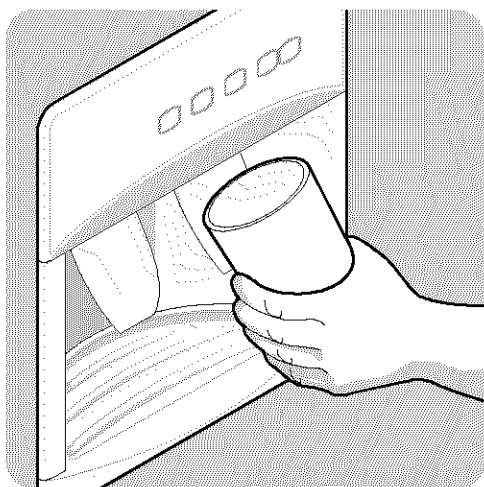
La rejilla para vinos permite almacenar botellas de vino o botellas plásticas de dos litros de jugo o gaseosa. Para instalarla, deslice la rejilla para vinos sobre el anaquel con la curva apuntando hacia adentro. Para quitarla, deslice la rejilla hacia afuera. Se puede instalar en cualquier extremo del anaquel.



Rejilla para vinos



## Dispensador automático de agua y hielo



### CARACTERÍSTICAS DEL DISPENSADOR DE AGUA Y HIELO

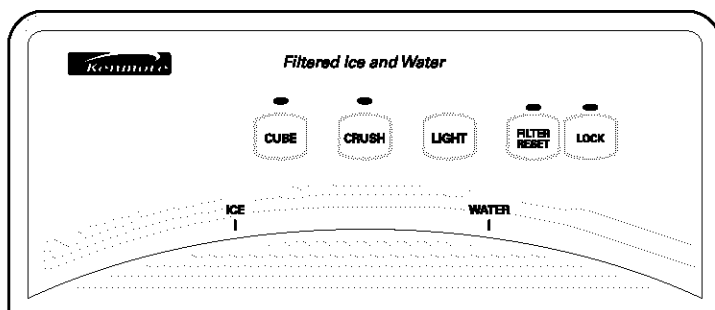
El dispensador de agua y hielo suministra cómodamente agua helada y hielo en cubos o triturado, según el modelo.

Para hacer funcionar el dispensador de hielo, seleccione la opción de hielo deseada utilizando la pantalla táctil. Presione el vaso contra el canal de suministro, lo más arriba posible para capturar todo el hielo. Para detener el suministro de hielo, retire el vaso del canal de suministro. No retire el vaso hasta que se haya suministrado todo el hielo. (Las instrucciones completas para el funcionamiento del dispensador se incluyen dentro de la puerta del congelador.)

Para hacer funcionar el dispensador de agua, presione el vaso contra el canal de suministro. Para detener el suministro de agua, retire el vaso del canal de suministro. La bandeja de goteo ubicada en la base del dispensador retiene cantidades pequeñas de agua, permitiendo que ésta se evapore. Esta bandeja de goteo se puede retirar y lavar en el lavavajillas automático. **No llene esta área con agua o exceso de cubos de hielo**, ya que no cuenta con drenaje.

### Luz del dispensador (en ciertos modelos)

El dispensador cuenta con una luz que se puede encender y apagar presionando la pantalla táctil de luz. Ésta también se enciende automáticamente cuando se suministra agua y/o hielo. Reemplace la bombilla con una que tenga la misma capacidad de vatios y que sea para uso en electrodomésticos.



Panel del dispensador de agua y hielo  
(Las características pueden variar según el modelo)

### Cómo funciona el dispensador de agua

El tanque de agua, ubicado detrás de los compartimientos en el compartimiento del refrigerador, se llena automáticamente cuando se suministra agua. Para obtener el funcionamiento óptimo del dispensador, la presión recomendada del suministro de agua debe estar entre 1,4 y 6,89 barios (20 a 100 lb/pulg<sup>2</sup>).

Después de conectar el refrigerador al suministro de agua, llene el tanque surtiendo un vaso de agua. **Puede tardar 1.5 minutos** después de activar el canal del dispensador antes de que el agua empiece a fluir para llenar el primer vaso. Continúe limpiando el sistema durante 3 minutos para eliminar cualquier impureza del tanque y las tuberías. El dispensador de agua cuenta con un dispositivo de cierre que detiene el flujo de agua después de 3 minutos de uso continuo. Simplemente libere el canal del dispensador para restablecer el mecanismo de cierre.

**PRECAUCIÓN** Los químicos de un sistema suavizador que no funcione correctamente pueden dañar el fabricante de hielo. Si el fabricante de hielo está conectado a una fuente de agua suavizada, asegúrese de que el sistema suavizador tenga mantenimiento y que funcione correctamente.

### Cómo funciona el dispensador de hielo

El fabricante de hielo y el recipiente se ubican en la parte superior del compartimiento del congelador. Después de haber instalado el refrigerador debidamente y luego de que éste comience a enfriar por varias horas, el fabricante de hielo podrá comenzar a fabricar hielo dentro de 24 horas. El aire en las tuberías nuevas puede hacer que el fabricante de hielo realice dos o tres ciclos antes de fabricar una bandeja llena de hielo. Para iniciar la producción de hielo, baje el brazo metálico indicador colocándolo en la posición hacia "abajo" u ON (encendido). Sin uso, se debe llenar el recipiente de hielo en aproximadamente 2 días. El fabricante se apaga automáticamente cuando el recipiente está lleno. Para detener el fabricante de hielo, levante el brazo metálico indicador hasta que haga clic y se bloquee en la posición hacia "arriba" u OFF (apagado).

Debido a que las conexiones de las tuberías son nuevas, la primera producción de cubos de hielo puede tener un color o sabor extraño. Estos cubos se deben desechar hasta que los cubos no tengan color o sabor extraño.

ESPAÑOL



# Dispensador automático de agua y hielo

## SUGERENCIAS SOBRE EL DISPENSADOR DE HIELO

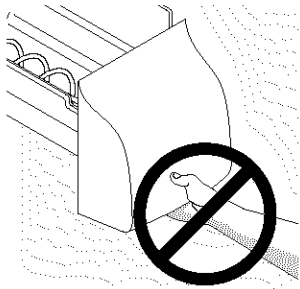
- Los cubos de hielo que quedan almacenados por mucho tiempo pueden adquirir un sabor extraño. Vacíe el recipiente de hielo y asegúrese de que el brazo metálico indicador está en la posición hacia “abajo” u ON (encendido). Entonces, el fabricante de hielo producirá más hielo.
- De vez en cuando sacuda el recipiente de hielo para mantener el hielo separado.
- Mantenga el brazo metálico indicador en su posición hacia “arriba” u OFF (apagado) hasta que el refrigerador sea conectado al suministro de agua y cada vez que el suministro de agua esté cerrado.

**PRECAUCIÓN** Si el canal del dispensador se presiona por más de 4 minutos, el motor del mismo se puede sobrecargar y detenerse. El protector contra sobrecargas se reestablecerá automáticamente después de 3 ó 4 minutos.

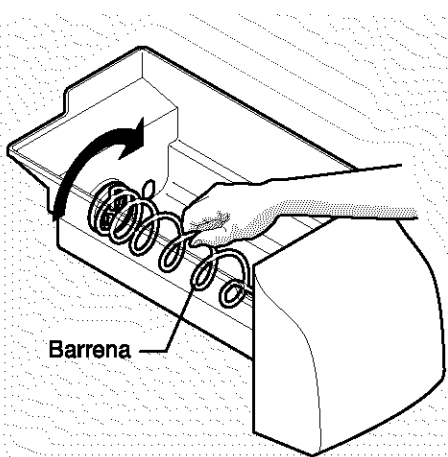
- Si se requiere una cantidad grande de hielo, es mejor retirar los cubos directamente del recipiente de hielo.
- Los siguientes sonidos son normales durante el funcionamiento del fabricante de hielo:
  - Motor encendido
  - Hielo que se desprende de la bandeja
  - Hielo que cae dentro del recipiente de hielo
  - Agua que corre
  - Válvula de agua que se cierra o abre
- Apague el fabricante de hielo mientras limpia el congelador y durante las vacaciones.
- Si el fabricante de hielo va a permanecer apagado durante un largo período, cierre la válvula de suministro de agua.

### ADVERTENCIA

No utilice el conducto para hielo como manilla al retirar o reemplazar el depósito para hielo. Las superficies pueden ser filosas.



No introduzca los dedos en el conducto para hielo. Las superficies pueden ser filosas.



## LIMPIEZA DEL DISPENSADOR DE HIELO

Limpie el dispensador y el recipiente de hielo regularmente, particularmente antes de irse de vacaciones o realizar una mudanza, o si se atasca el dispensador.

1. Detenga la producción de hielo, colocando el brazo metálico indicador en la posición hacia “arriba” u OFF (apagado)
2. Saque el recipiente de hielo, levantándolo hacia arriba y afuera. Vacíe y limpie el recipiente con un detergente **suave**. Enjuáguelo con agua limpia. No utilice limpiadores fuertes o abrasivos. Permita que el recipiente de hielo se seque completamente antes de colocarlo en el congelador de nuevo.
3. Retire las astillas de hielo y limpie el anaquel y el canal que soporta el recipiente de hielo.
4. Reemplace el recipiente de hielo. Coloque el brazo metálico indicador del fabricante de hielo en la posición hacia “abajo” u ON (encendido) y el fabricante reiniciará la producción.

**IMPORTANTE:** Al quitar o reemplazar el recipiente de hielo, no haga girar la barrena en este recipiente. Si se gira la barrena accidentalmente, deberá realinearla, haciéndola girar 90° hasta que el recipiente de hielo quepa en el mecanismo de impulsión. Para obtener instrucciones adicionales, consulte la etiqueta en la cubeta de hielo.

### Quite y vacíe el compartimiento de almacenamiento de hielo si:

1. Un apagón (de una o más horas) hace que los cubos de hielo en el compartimiento de almacenamiento de hielo se descongelen y vuelvan a congelar, así adhiriéndose y atascando el mecanismo del dispensador.
2. El dispensador de hielo no se utiliza frecuentemente. Los cubos de hielos se congelan y se adhieren en el compartimiento y atascan el mecanismo del dispensador. Quite el compartimiento de almacenamiento de hielo y sacúdalo para aflojar los cubos.

**NUNCA** utilice un punzón u otro utensilio afilado para romper el hielo. Esto puede averiar el compartimiento de almacenamiento de hielo y el mecanismo del dispensador.



## Dispensador automático de agua y hielo

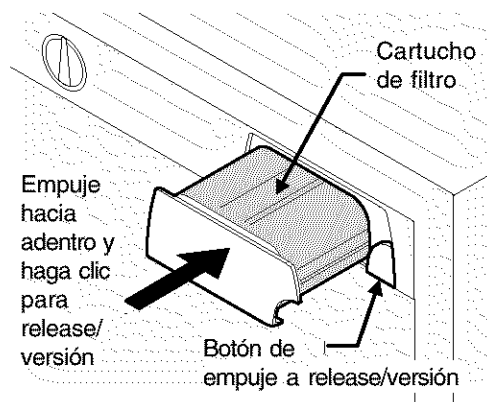
### Hielo De Kenmore Y Filtro Posterior Del Agua (en ciertos modelos)

**NOTA:** Si adquirió un refrigerador con el filtro para agua y hielo Kenmore, sírvase leer la siguiente información sobre su uso y cuidado. Este sistema para filtrar agua y hielo filtra el agua que utilizará el dispensador de agua y hielo. Se ubica en la esquina superior derecha de la parte posterior del compartimiento para alimentos frescos.

#### Inicio del sistema:

No es necesario cerrar el suministro de agua para cambiar el filtro, sin embargo, no utilice el dispensador de agua y hielo mientras instala el filtro.

El cartucho del filtro viene preinstalado de fábrica en el alojamiento para el filtro. Refiérase a la sección *Cómo funciona el dispensador de agua* para llenar el sistema debidamente con agua.



#### Para cambiar el filtro:

No es necesario cortar el suministro del agua para cambiar el filtro.

1. Coloque la manecilla de la máquina de hacer hielo en la posición "OFF" (hacia arriba) (Ver ilustración en la página 36).
2. Oprima el Botón de Liberación del Filtro, ubicado en el lado derecho del cartucho filtrante, para desenganchar el filtro de la caja. Para evitar de que el filtro caiga fuera de la caja durante el desmontaje, se recomienda sujetar el filtro a medida que se mueve hacia usted.

**NOTA:** Es posible que salga un poco de agua durante esta operación. Disponga de una toalla de papel o de un paño para limpiar el agua que pueda gotear del filtro o de la caja. Se han agregado dos agujeros pequeños cerca de la parte trasera de la caja para que escape cualquier exceso de agua. Es conveniente sacar todos los alimentos que estén cerca de esta área en la parrilla superior antes de retirar el filtro.

Pida los cartuchos nuevos del filtro a través del distribuidor donde adquirió el refrigerador, o póngase en contacto con el *Centro de Asistencia al Cliente (Consumer Assistance Center)*, llamando al 1-800-944-9044, en EE.UU. Es buena idea pedir algunos cartuchos de filtro cuando instale el refrigerador por primera vez. Asegúrese de pedir el cartucho de recambio FC-100 Kenmore.



El sistema para filtrar agua y hielo Kenmore NGFC-2000 con el cartucho FC-100 ha sido probado y certificado por NSF International, una organización para la salud pública reconocida y respetada mundialmente, sin fines de lucro. El sistema Kenmore se prueba y certifica según las normas ANSI/NSF 42 & 53. Consulte la hoja de datos de rendimiento para obtener las especificaciones. Este sistema no se debe utilizar para filtrar agua que no es microbiológicamente segura o de calidad desconocida, a menos que el agua se desinfecte adecuadamente antes o después de desplazarse por el sistema de filtración.

- Capacidad clasificada - 400 galones
- Capacidad de flujo- 1,89 l por minuto (0,5 galones por minuto)
- Presión máxima- 6,89 barios (100 lb/pulg<sup>2</sup>)
- Temperatura máxima de funcionamiento - 37,78° C (100° F)

3. Retire el cartucho filtrante antiguo tirándolo derecho hacia afuera de la caja.
4. Descarte el filtro antiguo.
5. Saque el cartucho filtrante nuevo de su empaque e insértelo en la caja del filtro de la misma manera en que sacó el antiguo.
6. Cuando el cartucho esté casi introducido, sentirá que se detiene contra el sujetador en la parte trasera de la caja. El sujetador mantiene al cartucho filtrante firmemente en su lugar. En este momento, deberá empujar firmemente hasta que el cartucho entre a presión en su lugar. Cuando esté firmemente instalado, la parte delantera del cartucho filtrante quedará al ras con la parte delantera de la caja.
7. Coloque la manecilla de la máquina de hacer hielo en la posición "ON" (hacia abajo).
8. Llene un vaso con agua. A medida que hace esto, verifique si hay escapes en la caja del filtro. Habrá chisporroteo y salpicaduras a medida que el sistema expulsa el aire hacia afuera a través de la boquilla del distribuidor del hielo. Esto es normal.
9. Después de obtener un vaso de agua, continúe enjuagando el sistema durante aproximadamente 3 minutos para asegurarse de que el depósito del almacenamiento del agua contenga el agua más pura posible.

**IMPORTANTE: Restablecimiento de la luz de estado del filtro (en ciertos modelos)**  
Después de reemplazar el cartucho del filtro, deberá presionar el botón para establecer el estado del filtro ubicado en el dispensador de agua y hielo. Esto restablecerá la luz de estado del filtro. Presione el botón de reestablecer hasta que la luz verde parpadee (3 a 15 segundos). Consulte las instrucciones completas de funcionamiento del dispensador ubicadas dentro de la puerta del congelador.

ESPAÑOL



## Almacenamiento de alimentos e ideas para el ahorro de energía

### IDEAS PARA EL ALMACENAMIENTO DE ALIMENTOS

#### Almacenamiento de alimentos frescos

- El compartimiento de alimentos frescos debe mantenerse entre 1,1° C (34° F) y 4,4° C (40° F) con una temperatura óptima de 2,8° C (37° F).
- Evite abarrotar los anaqueles del refrigerador, ya que esto reduce la circulación de aire alrededor de los alimentos y provoca enfriamiento irregular.

#### Frutas y vegetales

- El almacenamiento en los compartimientos para productos frescos encierra la humedad para ayudar a conservar la calidad de las frutas y vegetales durante más tiempo.

#### Carnes

- Se debe envolver de manera segura la carne roja y de aves cruda para evitar el derrame de líquidos y la contaminación de otros alimentos o superficies.

#### Almacenamiento de alimentos congelados

- El compartimiento del congelador debe mantenerse a una temperatura igual o menor a -17,8° C (0° F).
- El congelador funciona más eficientemente cuando tiene por lo menos 2/3 de su capacidad llena.

#### Empacado de alimentos para su congelación

- Para reducir la deshidratación y el deterioro de la calidad, utilice papel de aluminio, envoltura para congelar, bolsas para congelar o recipiente herméticos. Extraiga todo el aire que sea posible de los empaques y séllelos bien. El aire que queda encerrado puede secar los alimentos, cambiarles el color y darles un sabor desagradable (quemadura por congelación).
- Envuelva bien las carnes rojas y de aves frescas con envoltura para congelar antes de congelarlas.
- No congele de nuevo la carne que ya ha sido completamente descongelada.

#### Carga del congelador

- Evite colocar demasiados alimentos calientes en el congelador al mismo tiempo, ya que eso provoca que el congelador se sobrecargue, se reduce la velocidad de congelación y puede aumentar la temperatura de los alimentos ya congelados.
- Deje espacio entre los empaques, de manera tal que el aire frío pueda circular libremente y los alimentos se congelen tan rápidamente como sea posible.
- Evite almacenar en los anaqueles de la puerta del congelador alimentos que sean difíciles de congelar, tales como helado y jugo de naranja. Estos alimentos se conservan mejor en el interior del congelador donde la variación de la temperatura es menor.

### IDEAS PARA EL AHORRO DE ENERGÍA

- Sitúe el refrigerador en la parte más fresca de la habitación, lejos de la luz solar directa y de conductos de calefacción o registros. No sitúe el refrigerador junto a electrodomésticos que generen calor tales como estufas, hornos o lavavajillas automáticos. De no ser posible, la colocación de una sección de gabinetes o una capa de aislamiento adicional entre los dos electrodomésticos permitirá el funcionamiento más eficiente del refrigerador.
- Nivele el refrigerador para que las puertas cierren bien.
- Consulte este manual de uso y cuidado para verificar la graduación recomendada del control de temperatura.
- La limpieza periódica del condensador permitirá que el refrigerador funcione más eficientemente. Vea la tabla de cuidado y limpieza en la página 41.
- No abarrote el refrigerador ni bloquee las salidas de aire frío, ya que esto provoca que el refrigerador trabaje por más tiempo y consuma más energía.
- Cubra los alimentos y seque los recipientes antes de colocarlos en el refrigerador. Esto reduce la acumulación de humedad dentro de la unidad.
- Organice el refrigerador para reducir el tiempo de apertura de las puertas. Saque la mayor cantidad de artículos que necesite de una sola vez y cierre la puerta tan pronto como sea posible.



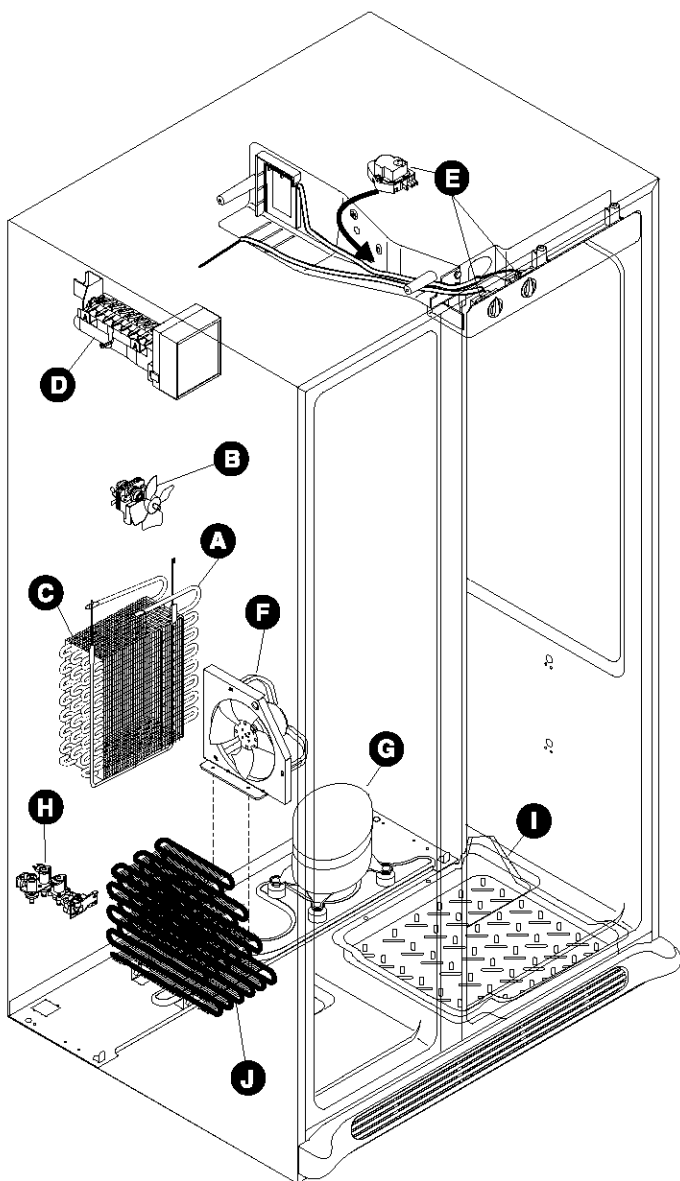


## Sonidos y señales que indican funcionamiento normal

### EL SIGNIFICADO DE LOS SONIDOS QUE USTED PUEDE ESCUCHAR

Es posible que su nuevo refrigerador de alta eficiencia emita sonidos que no sean familiares para usted. No hay razón para alarmarse ya que son sonidos normales. Las superficies duras, tales como los pisos de vinilo o madera, paredes y gabinetes de la cocina, pueden hacer que los sonidos parezcan más fuertes de lo que son en realidad. A continuación le damos una lista de descripción de algunos de los sonidos más comunes que usted puede escuchar y su causa.

**NOTA:** El aislante de espuma rígida permite el uso racional de la energía, sin embargo, también tiende a amplificar los sonidos.



#### A. Evaporador

El flujo de líquido refrigerante a través del evaporador puede crear un sonido de ebullición o borboteo.

#### B. Ventilador del evaporador

Puede escuchar el flujo de aire que el ventilador del evaporador hace pasar a través del refrigerador.

#### C. Calentador de descongelación

Durante los ciclos de descongelación, el agua que escurre sobre el calentador de descongelación puede causar un sonido sibilante o chisporroteo. Después de la descongelación, puede haber un sonido de estallido.

**IMPORTANTE:** Durante el ciclo automático de descongelación, es posible que se note un resplandor rojo en las salidas de aire en la pared posterior del compartimiento del congelador. Esta característica es normal durante el ciclo de descongelación.

#### D. Fabricador automático de hielo

Si su refrigerador está equipado con un fabricante automático de hielo, usted escuchará el sonido de los cubitos de hielo al caer en el recipiente de hielo.

#### E. Reloj de descongelación y control de enfriamiento

Estas partes pueden producir un chasquido al encender y apagar el refrigerador. El reloj también produce sonidos similares a los de un reloj eléctrico.

#### F. Ventilador del condensador

Usted puede escuchar el aire que el ventilador del condensador hace pasar a través del condensador.

#### G. Compresor

Los compresores modernos de alta eficiencia funcionan con mayor velocidad que los modelos antiguos. El compresor puede generar un zumbido alto o un sonido palpitante.

#### H. Válvula de agua

Si su refrigerador está equipado con un fabricante automático de hielo, usted escuchará un zumbido a medida que la válvula de agua se abre para llenar el fabricante de hielo en cada ciclo.

#### I. Bandeja de drenaje

Es posible que usted escuche el agua correr hacia la bandeja de drenaje durante el ciclo de descongelación.

#### J. Condensador



## Cuidado y limpieza

Mantenga su refrigerador y congelador limpios para evitar la aparición de olores desagradables. Limpie cualquier derrame inmediatamente y limpie ambos compartimientos por lo menos dos veces al año. **Nunca** utilice esponjas para restregar, cepillos, limpiadores abrasivos ni soluciones alcalinas fuertes para limpiar las superficies. **No** lave ninguna de las piezas móviles en el lavavajillas automático. **Siempre desenchufe el cable de alimentación eléctrica de la toma de corriente de pared antes de la limpieza.**

### PRECAUCIÓN

- Al mover el refrigerador, sáquelo directamente hacia afuera. No mueva el refrigerador de lado a lado, ya que puede dañar el piso. Tenga cuidado de no mover el refrigerador más allá de lo que permiten las conexiones de tuberías.
- Los objetos húmedos se adhieren a las superficies metálicas frías. No toque las superficies refrigeradas con las manos mojadas o húmedas.
- Para evitar daños y lograr que el refrigerador funcione con la mayor eficiencia posible, limpie el condensador periódicamente.

### NOTAS:

- Al colocar el control de temperatura del refrigerador en la posición OFF (apagado) se apaga el compresor, pero no se desconecta la corriente eléctrica que alimenta la bombilla y otros componentes eléctricos.
- No utilice hojas de afeitar ni otros instrumentos afilados para quitar las etiquetas adhesivas porque puede dañar la superficie del aparato. Cualquier residuo de pegamento de etiquetas o cintas puede eliminarse con una mezcla de agua tibia y detergente suave; también puede levantar el residuo de goma con la parte adhesiva de a cinta que ya haya quitado. **No quite la placa de identificación.**

### Tabla de cuidado y limpieza

Parte	Agente limpiador	Consejos y precauciones
Interior/ Revestimiento de la puerta	<ul style="list-style-type: none"> <li>• Jabón y agua</li> <li>• Bicarbonato de soda y agua</li> </ul>	Use 2 cucharadas de bicarbonato de soda en 0,97 litros (1/4 de galón) de agua tibia. <b>Asegúrese de exprimir todo el exceso de agua de la esponja o el paño antes de limpiar la zona alrededor de los controles, la bombilla y cualquier otra parte eléctrica.</b>
Juntas de las puertas	<ul style="list-style-type: none"> <li>• Jabón y agua</li> </ul>	Limpie las juntas con un paño suave y limpio.
Compartimientos	<ul style="list-style-type: none"> <li>• Jabón y agua</li> </ul>	No lave ninguna de las partes móviles (compartimientos, cajones, etc.) en el lavavajillas automático.
Anaqueles de vidrio	<ul style="list-style-type: none"> <li>• Jabón y agua</li> <li>• Limpiavidrios</li> <li>• Aerosol líquido suave</li> </ul>	Deje que el vidrio adquiera la temperatura ambiente antes de sumergirlo en el agua tibia.
Rejilla de la base	<ul style="list-style-type: none"> <li>• Jabón y agua</li> <li>• Aerosol líquido suave</li> <li>• Accesorio de aspiradora</li> </ul>	Aspire el polvo de la parte delantera de la rejilla de la base. Quite la rejilla (vea la ilustración de la página 27). Aspire la parte posterior y limpie con un paño o esponja impregnada de agua jabonosa. Enjuague y seque.
Exterior y manillas	<ul style="list-style-type: none"> <li>• Jabón y agua</li> </ul>	No utilice limpiadores comerciales para uso doméstico, amoníaco ni alcohol para limpiar las manillas.
Exterior y manillas (Sólo para modelos de acero inoxidable)	<ul style="list-style-type: none"> <li>• Jabón y agua</li> <li>• Amoníaco</li> <li>• Limpiadores de acero inoxidable</li> </ul>	Limpie la parte delantera y las manillas de acero inoxidable con agua y jabón. Utilice un producto de limpieza de discos no abrasivo del acero inoxidable. Estos productos de limpieza de discos se pueden comprar en la mayoría de la mejora casera o los almacenes grandes importantes.
Serpentines del condensador	<ul style="list-style-type: none"> <li>• Accesorio de aspiradora</li> </ul>	Utilice el accesorio para quitar polvo de la aspiradora para eliminar la acumulación de polvo de los serpentines del condensador (consulte el ítem "J" en el dibujo en la página 39, para saber dónde están ubicados).



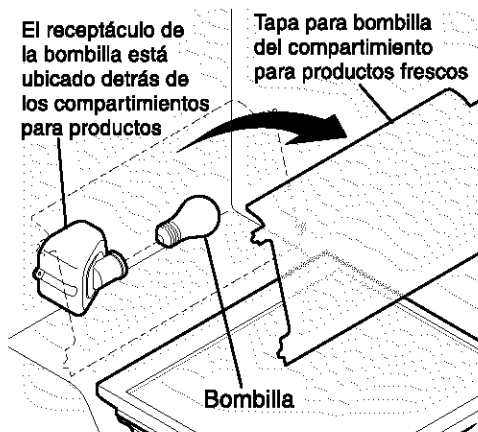


## Cuidado y limpieza (continuación)

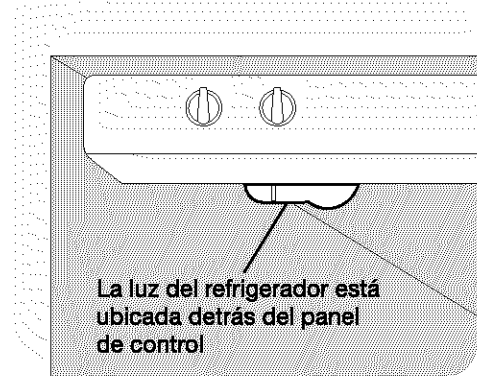
**PRECAUCIÓN** Tenga cuidado de no cortarse al reemplazar las bombillas; utilice guantes.

### REEMPLAZO DE LA BOMBILLA

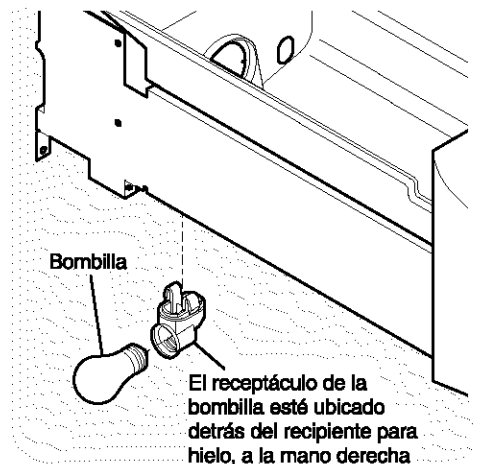
1. Desenchufe el refrigerador.
2. Use guantes como protección en caso de que haya vidrios rotos.
3. Quite la tapa de la luz, si es necesario.
4. Desenrosque y reemplace la bombilla quemada con una nueva de igual vatiaje.
5. Reemplace la tapa de la luz, si es necesario.
6. Recuerde enchufar de nuevo el refrigerador.



Reemplazo de la bombilla del compartimiento para productos frescos (en ciertos modelos)



Reemplazo de la bombilla del refrigerador



Reemplazo de la bombilla del congelador

Consejos para las vacaciones y mudanzas	
<b>Vacaciones cortas</b>	<ul style="list-style-type: none"> <li>• Deje el refrigerador funcionando durante periodos de vacaciones de hasta 3 semanas de duración.</li> <li>• Consuma todos los alimentos perecederos del compartimiento del refrigerador.</li> <li>• Apague el fabricante automático de hielo, incluso si sólo se ausenta por unos pocos días.</li> </ul>
<b>Vacaciones largas</b>	<ul style="list-style-type: none"> <li>• Retire todos los alimentos el hielo si se va a ausentar por un mes o más tiempo.</li> <li>• Apague todos los controles (OFF) y desconecte la energía eléctrica.</li> <li>• Apague el fabricante automática de hielo y cierre la válvula de suministro de agua.</li> <li>• Limpie profundamente el interior del refrigerador.</li> <li>• Deje las dos puertas abiertas para evitar la aparición de olores y de moho. Si es necesario,</li> </ul>
<b>Mudanza</b>	<ul style="list-style-type: none"> <li>• Retire todos los alimentos y el hielo.</li> <li>• Si usa una carretilla, cargue el refrigerador por el costado.</li> <li>• Ajuste las ruedas completamente hacia arriba para protegerlas durante el traslado o mudanza.</li> <li>• Acolche el gabinete para evitar raspaduras en la superficie.</li> </ul>

**IMPORTANTE:** Si el refrigerador se va a mover o almacenar a temperaturas bajo 0° C (32° F), se debe drenar el sistema de agua completamente. De lo contrario, pueden haber fugas de agua cuando se vuelva a utilizar el refrigerador. Póngase en contacto con un representante de servicio técnico para realizar este procedimiento.



## Antes de llamar al servicio técnico

PROBLEMA	CAUSA	SOLUCIÓN
<b>FUNCIONAMIENTO DEL REFRIGERADOR</b>		
El compresor no funciona.	<ul style="list-style-type: none"> <li>El control del congelador está en OFF (apagado).</li> <li>El refrigerador está en el ciclo de descongelado.</li> <li>El enchufe está desconectado de la toma de pared.</li> <li>El fusible se quemó o se ha desconectado el cortacircuitos.</li> <li>Hubo un apagón.</li> </ul>	<ul style="list-style-type: none"> <li>Regule el control del congelador. Consulte la sección <b>Control de temperatura</b>.</li> <li>Esto es normal para un refrigerador con descongelado completamente automático. El ciclo de descongelado se lleva a cabo periódicamente y dura alrededor de 30 minutos.</li> <li>Asegúrese de que el enchufe esté introducido firmemente en la toma.</li> <li>Verifique/reemplace el fusible con un fusible de tiempo de retardo de 15 amperios. Reestablezca el cortacircuitos.</li> <li>Revise las luces de la casa. Llame a su compañía de energía local.</li> </ul>
El refrigerador funciona demasiado o por demasiado tiempo.	<ul style="list-style-type: none"> <li>Hace calor en la habitación o afuera.</li> <li>Recientemente se desconectó el refrigerador por un período.</li> <li>El fabricante automático de hielo está funcionado.</li> <li>Las puertas se abren frecuentemente o permanecen abiertas por mucho tiempo.</li> <li>La puerta del refrigerador/congelador está levemente abierta.</li> <li>El control del congelador está fijado demasiado frío (el control está en la sección del refrigerador).</li> <li>La junta del refrigerador/congelador está sucia, desgastada, cuarteada o instalada indebidamente.</li> <li>El condensador está sucio.</li> </ul>	<ul style="list-style-type: none"> <li>Es normal que el refrigerador funcione por más tiempo en estas condiciones.</li> <li>Lleva entre 8 y 12 hora para que el refrigerador se enfríe por completo.</li> <li>El funcionamiento del fabricante de hielo hace que el refrigerador funcione durante más tiempo.</li> <li>El aire caliente que entra en el refrigerador lo hace funcionar más tiempo. No abra las puertas con tanta frecuencia.</li> <li>Asegúrese de que el refrigerador esté nivelado. Evite que la comida y los recipientes bloqueen la puerta. Consulte el apartado <b>APERTURA/CIERRE DE PUERTAS/COMPARTIMIENTOS</b> en la sección <b>PROBLEMA</b>.</li> <li>Coloque el control del refrigerador en un valor menos frío hasta que la temperatura del mismo sea satisfactoria. Deje transcurrir 24 horas para que la temperatura se estabilice.</li> <li>Limpie o cambie la junta. Las fugas en el sello de la puerta hacen que el refrigerador funcione durante más tiempo para mantener las temperaturas deseadas.</li> <li>Limpie el condensador. Consulte el diagrama de cuidado y limpieza en la sección <b>Cuidado y limpieza</b>.</li> </ul>
El compresor se apaga y enciende frecuentemente.	<ul style="list-style-type: none"> <li>El termostato mantiene el refrigerador a una temperatura constante.</li> </ul>	<ul style="list-style-type: none"> <li>Esto es normal. El refrigerador se enciende y apaga para mantener la temperatura constante.</li> </ul>
<b>LAS TEMPERATURAS ESTÁN DEMASIADO BAJAS</b>		
La temperatura del congelador está demasiado baja. La temperatura del refrigerador es satisfactoria.	<ul style="list-style-type: none"> <li>El control del congelador se fijó demasiado frío.</li> </ul>	<ul style="list-style-type: none"> <li>Coloque el control del congelador en un valor menos frío. Deje transcurrir 24 horas para que la temperatura se estabilice.</li> </ul>
La temperatura del refrigerador está demasiado baja. La temperatura del congelador es satisfactoria.	<ul style="list-style-type: none"> <li>El control del refrigerador se fijó demasiado frío.</li> </ul>	<ul style="list-style-type: none"> <li>Coloque el control del refrigerador en un valor menos frío. Deje transcurrir 24 horas para que la temperatura se estabilice.</li> </ul>



## Antes de llamar al servicio técnico (continuación)

PROBLEMA	CAUSA	SOLUCIÓN
<b>LAS TEMPERATURAS ESTÁN DEMASIADO BAJAS (CONTINUACIÓN)</b>		
La comida en los compartimientos se congela.	<ul style="list-style-type: none"> <li>El control del refrigerador se fijó demasiado frío.</li> </ul>	<ul style="list-style-type: none"> <li>Consulte la solución anterior.</li> </ul>
La comida en el compartimiento para carnes se congela (algunos modelos).	<ul style="list-style-type: none"> <li>El control del compartimiento para carnes se fijó demasiado frío.</li> </ul>	<ul style="list-style-type: none"> <li>Fije el control temperatura del compartimiento para carnes en un valor menos frío. (La carne se debe almacenar justo debajo del punto de congelación para obtener el máximo tiempo de almacenamiento. Es normal que se formen cristales de hielo debido al contenido de humedad de la carne.</li> </ul>
<b>LAS TEMPERATURAS ESTÁN DEMASIADO ALTAS</b>		
La temperatura del congelador/refrigerador está demasiado alta	<ul style="list-style-type: none"> <li>Las puertas se abren frecuentemente o permanecen abiertas por mucho tiempo.</li> <li>La puerta está levemente abierta.</li> <li>El condensador está sucio.</li> </ul>	<ul style="list-style-type: none"> <li>El aire caliente que entra en el refrigerador cuando se abre la puerta lo hace funcionar más tiempo. No abra las puertas con tanta frecuencia.</li> <li>Consulte el apartado <b>APERTURA/CIERRE DE PUERTAS/COMPARTIMENTOS</b> en la sección <b>PROBLEMA</b>.</li> <li>Limpie el condensador. Consulte el diagrama de cuidado y limpieza en la sección <b>Cuidado y limpieza</b>.</li> </ul>
La temperatura del congelador está demasiado alta. La temperatura del refrigerador es satisfactoria.	<ul style="list-style-type: none"> <li>El control del congelador se fijó demasiado caliente.</li> </ul>	<ul style="list-style-type: none"> <li>Coloque el control del congelador en un valor más frío. Deje transcurrir 24 horas para que la temperatura se estabilice.</li> </ul>
La temperatura del refrigerador está demasiado alta. La temperatura del congelador es satisfactoria.	<ul style="list-style-type: none"> <li>El control del refrigerador se fijó demasiado caliente.</li> </ul>	<ul style="list-style-type: none"> <li>Coloque el control del refrigerador en un valor más frío. Deje transcurrir 24 horas para que la temperatura se estabilice.</li> </ul>
La temperatura en el compartimiento para carnes es demasiado alta (algunos modelos).	<ul style="list-style-type: none"> <li>El control del compartimiento para carnes se fijó demasiado caliente.</li> </ul>	<ul style="list-style-type: none"> <li>Fije el control de temperatura del compartimiento para carnes en un valor más frío.</li> </ul>
<b>AGUA/CONDENSACIÓN/ESCARCHA DENTRO DEL REFRIGERADOR</b>		
Hay condensación en la parte interna de las paredes del refrigerador.	<ul style="list-style-type: none"> <li>El tiempo está cálido y húmedo.</li> <li>La puerta está levemente abierta.</li> <li>Las puertas se abren frecuentemente o permanecen abiertas por mucho tiempo.</li> <li>Hay recipientes abiertos.</li> </ul>	<ul style="list-style-type: none"> <li>La velocidad de acumulación de escarcha y condensación interna aumenta.</li> <li>Consulte el apartado <b>APERTURA/CIERRE DE PUERTAS/COMPARTIMENTOS</b> en la sección <b>PROBLEMA</b>.</li> <li>No abra las puertas con tanta frecuencia.</li> <li>Mantenga los recipientes tapados.</li> </ul>



## Antes de llamar al servicio técnico (continuación)

PROBLEMA	CAUSA	SOLUCIÓN
<b>AGUA/CONDENSACIÓN/ESCARCHA DENTRO DEL REFRIGERADOR (CONTINUACIÓN)</b>		
Hay agua en la parte inferior de la tapa del compartimiento.	<ul style="list-style-type: none"> <li>Los vegetales contienen y expelen humedad.</li> </ul>	<ul style="list-style-type: none"> <li>Con frecuencia se acumula humedad en la parte inferior de la tapa.</li> <li>Fije el control de humedad (algunos modelos) en un valor inferior.</li> </ul>
Hay agua en el compartimiento inferior.	<ul style="list-style-type: none"> <li>Las frutas y vegetales lavados se escurren mientras están en el compartimiento.</li> </ul>	<ul style="list-style-type: none"> <li>Seque los productos antes de colocarlos en el compartimiento. Es normal que haya agua en la parte inferior del compartimiento.</li> </ul>
<b>AGUA/CONDENSACIÓN/ESCARCHA FUERA DEL REFRIGERADOR</b>		
Hay condensación en la parte externa del refrigerador o entre las puertas.	<ul style="list-style-type: none"> <li>El tiempo está húmedo.</li> <li>La puerta está levemente abierta, haciendo que el aire frío del refrigerador y el aire tibio de afuera hagan contacto.</li> </ul>	<ul style="list-style-type: none"> <li>Esto es normal cuando el tiempo está húmedo. Cuando baja la humedad, la condensación debe desaparecer.</li> <li>Consulte el apartado <b>APERTURA/ CIERRE DE PUERTAS/ COMPARTIMENTOS</b> en la sección <b>PROBLEMA</b>.</li> </ul>
<b>FABRICADOR AUTOMÁTICO DE HIELO</b>		
El fabricante no elabora hielo.	<ul style="list-style-type: none"> <li>El brazo metálico indicador del fabricante de hielo está en la posición hacia "arriba" u <b>OFF</b> (apagado).</li> <li>La válvula de la tubería de suministro doméstico de agua está cerrada.</li> <li>El congelador no está suficientemente frío.</li> <li>La válvula de desviación de la tubería de agua fría está tapada u obstruida por material extraño.</li> <li>Revise si el dispensador de agua surte agua.</li> </ul>	<ul style="list-style-type: none"> <li>Coloque el brazo metálico indicador en la posición hacia "abajo" <b>ON</b> (apagado).</li> <li>Abra la válvula de la tubería de suministro doméstico de agua.</li> <li>Consulte el apartado <b>LAS TEMPERATURAS ESTÁN DEMASIADO ALTAS</b> en la sección <b>PROBLEMA</b>.</li> <li>Cierre la válvula de la tubería de suministro doméstico de agua. Retire la válvula. Asegúrese que no sea una válvula de desviación autoperforante. Limpie la válvula. Reemplácela si es necesario.</li> <li>De lo contrario, el cartucho de filtro para agua y hielo está obstruido o restringido por material extraño y debe reemplazarse.</li> </ul>
El fabricante de hielo no está elaborando suficiente hielo.	<ul style="list-style-type: none"> <li>El fabricante de hielo está produciendo menos hielo del que usted espera.</li> <li>El congelador no está suficientemente frío.</li> <li>La válvula de la tubería de suministro doméstico de agua no está completamente abierta.</li> <li>Revise si el dispensador de agua está surtiendo más lento que lo normal.</li> </ul>	<ul style="list-style-type: none"> <li>El fabricante de hielo debe producir aproximadamente 1,8 a 2,3 kg (4 a 5 lb) de hielo cada 24 horas. En el valor <i>Hielo adicional</i>, debe producir hasta 3,6 kg (8 lb) de hielo cada 24 horas.</li> <li>Consulte el apartado <b>LAS TEMPERATURAS ESTÁN DEMASIADO ALTAS</b> en la sección <b>PROBLEMA</b>.</li> <li>Abra la válvula de la tubería de suministro doméstico de agua.</li> <li>Si es así, reemplace el cartucho de filtro para agua y hielo.</li> </ul>
El fabricante de hielo no deja de elaborar hielo.	<ul style="list-style-type: none"> <li>Algún objeto dentro del congelador está sujetando el brazo metálico indicador del fabricante de hielo hacia abajo.</li> </ul>	<ul style="list-style-type: none"> <li>Quite el objeto y libere el brazo metálico indicador. Retire los cubos que se hayan fusionado sobre el brazo metálico indicador.</li> </ul>
El fabricante de hielo no está separando los cubos.	<ul style="list-style-type: none"> <li>No se están utilizando los cubos con suficiente frecuencia.</li> <li>Los cubos de hielo salen huecos o más pequeños que lo normal.</li> </ul>	<ul style="list-style-type: none"> <li>Saque y scauda el recipiente de hielo para separar los cubos.</li> <li>El cartucho del filtro para agua y hielo puede estar tapado. Reemplácelo.</li> </ul>



## Antes de llamar al servicio técnico (continuación)

PROBLEMA	CAUSA	SOLUCIÓN
<b>FABRICADOR AUTOMÁTICO DE HIELO (CONTINUACIÓN)</b>		
<b>El hielo tiene mal olor y color extraño.</b>	<ul style="list-style-type: none"> <li>El hielo absorbió el olor o sabor fuerte de comida almacenada en el refrigerador o congelador.</li> <li>El agua suministrada al fabricante de hielo tiene mal sabor u olor.</li> <li>No se están utilizando los cubos con suficiente frecuencia.</li> </ul>	<ul style="list-style-type: none"> <li>Cubra la comida debidamente. Deseche el hielo afectado. El fabricante de hielo suministrará hielo fresco.</li> <li>Instale un filtro en la línea de suministro de agua. Consulte con una compañía de purificación de agua.</li> <li>Deseche el hielo afectado.</li> </ul>
<b>DISPENSADOR DE HIELO</b>		
<b>El dispensador no surte hielo.</b>	<ul style="list-style-type: none"> <li>El recipiente para almacenar hielo está vacío.</li> <li>La temperatura del congelador está demasiado alta.</li> <li>La válvula de la tubería de suministro doméstico de agua está cerrada.</li> <li>La puerta del congelador está abierta.</li> <li>El canal del dispensador de hielo ha permanecido presionado por más de 4 a 5 minutos.</li> </ul>	<ul style="list-style-type: none"> <li>Cuando el primer suministro de hielo entra en el recipiente, debe funcionar el dispensador.</li> <li>Coloque el control del congelador en un valor más alto para que se fabriquen cubos de hielo. Cuando se fabrique el primer suministro de hielo, debe funcionar el dispensador.</li> <li>Abra la válvula de la tubería de suministro doméstico de agua. Deje transcurrir suficiente tiempo para que se fabrique hielo. Cuando se fabrique hielo, debe funcionar el dispensador.</li> <li>Asegúrese de que la puerta del congelador está cerrada.</li> <li>El motor está sobrecargado. El protector contra sobrecargas se reestablecerá en aproximadamente 3 minutos. Luego se puede dispensar hielo.</li> </ul>
<b>El dispensador de hielo está atascado.</b>	<ul style="list-style-type: none"> <li>El hielo se derritió y volvió a congelar alrededor de la barrena debido al uso infrecuente, fluctuaciones de temperatura y/o apagones.</li> <li>Los cubos de hielo se atascan entre el fabricante de hielo y la parte posterior del recipiente de hielo.</li> <li>Los cubos de hielos están fusionados.</li> <li>Los cubos de hielo salen huecos o más pequeños que lo normal.</li> </ul>	<ul style="list-style-type: none"> <li>Quite el recipiente de hielo, déjelo descongelar y vacíe el contenido. Limpie el recipiente, séquelo y colóquelo en la posición apropiada. Cuando se fabrique hielo nuevo, debe funcionar el dispensador.</li> <li>Quite los cubos atascados en el dispensador.</li> <li>Utilice el dispensador a menudo para que los cubos no se fusionen.</li> <li>El cartucho del filtro para agua y hielo puede estar obstruido. Reemplácelo. El sistema dispensador funciona mejor con presión de agua entre 1,4 y 6,89 barios (20 a 100 lb/pulg<sup>2</sup>). El agua de pozo debe estar en esta gama de presión.</li> </ul>
<b>DISPENSADOR DE AGUA</b>		
<b>El dispensador no surte agua.</b>	<ul style="list-style-type: none"> <li>La válvula de la tubería de suministro doméstico de agua está cerrada.</li> <li>La puerta del congelador está abierta.</li> <li>El cartucho del filtro para agua y hielo está tapado.</li> </ul>	<ul style="list-style-type: none"> <li>Abra la válvula de la tubería de suministro doméstico de agua. Consulte el apartado <b>EL FABRICADOR NO ELABORA HIELO</b> en la sección <b>PROBLEMA</b>.</li> <li>Asegúrese de que la puerta del congelador está cerrada.</li> <li>Reemplace el cartucho del filtro.</li> </ul>



## Antes de llamar al servicio técnico (continuación)

PROBLEMA	CAUSA	SOLUCIÓN
<b>DISPENSADOR DE AGUA (CONTINUACIÓN)</b>		
El agua tiene mal sabor y/u olor.	<ul style="list-style-type: none"> <li>El agua lleva mucho tiempo en el tanque.</li> <li>La unidad no está debidamente conectada a la tubería de agua fría.</li> <li>La tubería utilizada en el suministro doméstico de agua e instalación puede afectar el sabor y olor.</li> <li>El agua contiene muchos minerales.</li> </ul>	<ul style="list-style-type: none"> <li>Sirva y deseche entre 10 y 12 vasos de agua para renovar el suministro y enjuagar completamente el tanque.</li> <li>Conecte la unidad a la tubería de suministro doméstico de agua fría que suministra agua al grifo de agua.</li> <li>Para obtener mejores resultados, utilice tubería de cobre para las conexiones de agua.</li> <li>Póngase en contacto con la planta de tratamiento de agua para obtener ayuda.</li> </ul>
La presión de agua es extremadamente baja.	<ul style="list-style-type: none"> <li>La presión de apagado y encendido son muy bajas (sistemas de pozo solamente).</li> <li>El sistema de osmosis inversa está en la fase regenerativa.</li> </ul>	<ul style="list-style-type: none"> <li>Debe incrementar la presión de apagado y encendido del sistema de bombeo de agua (sistemas de pozo solamente).</li> <li>Los sistemas de osmosis inversa generalmente generan menos de 1,38 barios (20 lb/pulg<sup>2</sup>) durante la fase regenerativa.</li> </ul>
<b>OLORES EN EL REFRIGERADOR</b>		
El interior está sucio.	<ul style="list-style-type: none"> <li>Límpielo.</li> <li>Hay comida con olor fuerte en el refrigerador.</li> </ul>	<ul style="list-style-type: none"> <li>Consulte el diagrama de cuidado y limpieza en la sección <b>Cuidado y limpieza</b>.</li> <li>Cubra la comida debidamente.</li> </ul>
<b>APERTURA/CIERRE DE PUERTAS/COMPARTIMENTOS</b>		
La(s) puerta(s) no cierra(n).	<ul style="list-style-type: none"> <li>Se cerró la puerta con demasiada fuerza, haciendo que la puerta permaneciera ligeramente abierta.</li> <li>El refrigerador no está nivelado. Se mece en el piso cuando se mueve levemente.</li> <li>El refrigerador hace contacto con una pared o gabinete.</li> </ul>	<ul style="list-style-type: none"> <li>Cierre ambas puertas con cuidado.</li> <li>Asegúrese de que el piso esté nivelado y sólido, y que pueda soportar el refrigerador. Póngase en contacto con un carpintero para corregir el piso hundido o con caída.</li> <li>Asegúrese de que el piso esté nivelado y sólido y que pueda soportar el refrigerador. Póngase en contacto con un carpintero para corregir el piso hundido o con caída.</li> </ul>
Es difícil mover los compartimentos.	<ul style="list-style-type: none"> <li>La comida hace contacto con el anaquel en la parte superior del compartimento.</li> <li>El riel de deslizamiento del compartimento está sucio.</li> </ul>	<ul style="list-style-type: none"> <li>Mantenga menos comida en el compartimento.</li> <li>Limpie el compartimento, rodillos y riel. Consulte el diagrama de cuidado y limpieza en la sección <b>Cuidado y limpieza</b>.</li> </ul>
<b>LA BOMBILLA NO SE ENCIENDE</b>		
La bombilla no se enciende.	<ul style="list-style-type: none"> <li>La bombilla está quemada.</li> <li>El interruptor de la luz está atascado.</li> <li>No hay corriente eléctrica en el refrigerador.</li> </ul>	<ul style="list-style-type: none"> <li>Consulte el apartado <i>Replazo de la bombilla</i> en la sección <b>Cuidado y limpieza</b>.</li> <li>El interruptor de la luz está ubicado a un lado del refrigerador y el forro del congelador.</li> <li>Consulte el apartado <b>FUNCIONAMIENTO DEL REFRIGERADOR</b> de la sección <b>PROBLEMA</b>.</li> </ul>



## Bienvenue et félicitations

Félicitations pour l'achat de votre nouveau réfrigérateur! Nous, de **Sears**, sommes très fiers de nos produits et nous sommes déterminés à vous offrir le meilleur service possible. Votre satisfaction est notre priorité.

Nous sommes certains que vous apprécierez votre nouveau réfrigérateur et merci d'avoir choisi un de nos produits. Nous souhaitons que vous nous soyez fidèles pour vos prochains achats.

### VEUILLEZ LIRE CES INSTRUCTIONS ET LES CONSERVER

Ce Manuel d'utilisation et d'entretien fournit des instructions de fonctionnement spécifiques pour votre modèle. N'utilisez votre réfrigérateur que de la façon indiquée dans ce manuel. Ces instructions n'ont pas la prétention de couvrir toutes les conditions ou situations susceptibles de se produire. Il faut faire preuve de bon sens et de prudence chaque fois que l'on installe un appareil, qu'on le fait fonctionner ou qu'on en fait la maintenance.

**Veuillez indiquer les numéros de modèle et de série ci-dessous pour référence future. Ces informations se trouvent sur la plaque signalétique située à l'intérieur de votre réfrigérateur.**

**REMARQUE :** N'utilisez que de l'eau et du savon pour nettoyer la plaque signalétique.

Numéro de modèle : 253

Ou : 970

Numéro de série : \_\_\_\_\_

Date de l'achat : \_\_\_\_\_

### TABLE DES MATIERES

Inscrivez les numéros de	
Série et de modèle .....	47
Sécurité.....	57-48
Garantie .....	48
Canada - Garantie .....	49
Installation .....	50-51
Instructions de dépose de la porte .....	52
Aperçu des caractéristiques .....	53
Commandes de température .....	54
Vue de l'intérieur .....	55-56
Distributeur automatique d'eau et de glaçons ...	57-58
Glace de Kenmore et filtre avant de l'eau .....	59
Conseils pour la conservation des aliments et l'économie d'énergie .....	60
Bruits de fonctionnement normaux .....	61
Entretien et nettoyage .....	63-64
Avant d'appeler .....	65-69



## Recommandations pour une utilisation sécuritaire



**AVERTISSEMENT** Veuillez lire toutes instructions avant d'utiliser ce réfrigérateur.

### POUR VOTRE SÉCURITÉ

- Ne pas ranger ni utiliser d'essence ou tout autre liquide inflammable à proximité de cet appareil ou de tout autre appareil. Lire les étiquettes du produit pour vous informer de tout indice d'inflammabilité ou de toutes autres précautions d'usage.
- Ne pas faire fonctionner le réfrigérateur en présence d'émanations explosives.
- Éviter tout contact avec les pièces mobiles de la glacière automatique.
- Enlever toutes les agrafes du carton. Les agrafes peuvent causer des coupures importantes et endommager le fini des meubles et des appareils électroménagers.

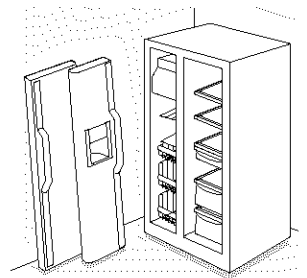
### LA SÉCURITÉ DES ENFANTS

Jeter au rebut ou recycler le carton, les sacs de plastique et tous les autres matériaux d'emballage immédiatement après avoir déballé le réfrigérateur. Les enfants ne devraient jamais jouer avec ces matériaux. Les morceaux de carton couverts de tapis, d'un couvre-lit, de feuilles de plastique ou de film étirable peuvent facilement se transformer en construction étanche et causer rapidement l'asphyxie.

### MISE AU REBUT APPROPRIÉE DE VOTRE RÉFRIGÉRATEUR OU CONGÉLATEUR

#### Risque de piégeage des enfants

Le piégeage et la suffocation d'enfants n'est pas un problème du passé. Les réfrigérateurs et les congélateurs au rebut ou abandonnés sont toujours dangereux-même pour quelques jours. Si vous vous débarrasser de votre vieux réfrigérateur ou congélateur, veuillez suivre les consignes suivantes pour éviter les accidents.



#### Avant de jeter au rebut votre vieux réfrigérateur/ congélateur:

- Enlever les portes.
- Laissez les tablettes en place pour empêcher que les enfants n'y entrent facilement.
- Faites enlever le réfrigérant par un technicien qualifié.



## Recommandations pour une utilisation sécuritaire



**AVERTISSEMENT** Ces directives doivent être suivies pour assurer le bon fonctionnement des dispositifs de sécurité de ce réfrigérateur.

### INFORMATIONS SUR LE SYSTÈME ÉLECTRIQUE

- Le réfrigérateur doit être branché à sa propre prise de courant alternatif de 115 volts et de 60 Hz. Le cordon d'alimentation de l'appareil est muni de 3 broches avec mise à la terre pour assurer une protection accrue contre les risques d'électrocution. La fiche électrique à 3 broches doit être branchée directement dans une prise de courant appropriée avec mise à la terre. La prise de courant doit respecter les codes locaux et les ordonnances. Consulter un électricien qualifié. **Ne pas utiliser de rallonge ni d'adaptateur.**
- Réparer ou remplacer immédiatement un cordon électrique usé ou endommagé.
- Ne jamais débrancher le réfrigérateur en tirant sur le cordon électrique. Toujours saisir fermement la fiche et la tirer directement de la prise de courant afin de ne pas endommager le cordon électrique.
- Pour réduire les risques de choc électrique, toujours débrancher le réfrigérateur avant de le nettoyer ou de changer une ampoule.
- Le rendement de l'appareil peut être affecté par une variation de tension de 10% ou plus. Faire fonctionner le réfrigérateur avec une alimentation électrique insuffisante peut endommager le compresseur. Ce type de dommages ne sont pas couverts par votre garantie.
- Pour éviter que le courant électrique qui alimente le réfrigérateur ne soit accidentellement coupé, ne pas brancher l'appareil à une prise de courant contrôlée par un interrupteur mural ni tirer sur le cordon électrique.
- Éviter de brancher le réfrigérateur à un interrupteur à circuit de terre contrôlé.

**REMARQUE:** Tourner la commande de température du congélateur à «O» éteint le compresseur sans pour autant couper le courant qui alimente l'ampoule électrique ou les autres composants électriques.



## Informations sur la garantie

### GARANTIE COMPLÈTE DE UN AN SUR LE RÉFRIGÉRATEUR

Pendant un an à partir de la date d'achat, si ce réfrigérateur fonctionne et est entretenu selon les instructions du guide de l'utilisateur, Sears réparera ce réfrigérateur, gratuitement, en cas de défaut de matériau ou de fabrication.

### GARANTIE COMPLÈTE DE CINQ ANS SUR LE SYSTÈME DE RÉFRIGÉRATION SCÉLLÉ

Pendant cinq ans à partir de la date d'achat, si ce réfrigérateur fonctionne et est maintenu selon les instructions du guide de l'utilisateur, Sears réparera gratuitement le système de réfrigération scellé (comprenant le réfrigérant, la tuyauterie et le moteur du compresseur), en cas de défaut de matériau ou de fabrication.

La garantie ci-dessus ne s'applique qu'à des réfrigérateurs utilisés à fins domestiques.

**GARANTIE COMPLÈTE DE 30 JOURS SUR LA CARTOUCHE DE FILTRATION D'EAU POUR RÉFRIGÉRATEUR KENMORE.** Si cette cartouche de filtration d'eau pour réfrigérateur Kenmore s'avère défectueuse à cause d'un défaut de matériau ou de fabrication dans les 30 jours suivant la date d'achat, **VEUILLEZ LA RETOURNER AU MAGASIN SEARS AUX ÉTATS-UNIS LE PLUS PRÈS DE CHEZ VOUS**, et Sears la remplacera sans frais.

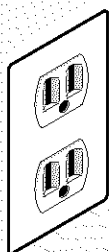
Cette garantie vous donne des droits spécifiques. Il se peut que vous bénéficiiez d'autres droits, lesquels varient d'états à états.

Le service de garantie est disponible en contactant le **CENTRE DE SERVICE/DÉPARTEMENT DE SEARS PLUS PROCHE** aux États - Unis. Voir la page postérieure de ce manuel.

Pour les questions au garantie, s'il vous plaît contacter l'adresse suivante:

**Sears, Roebuck and Co.  
Dept. 817WA  
Hoffman Estates, IL 60179**

Prise murale avec mise à la terre



**Ne jamais couper, enlever ou contourner la broche de mise à la terre.**

Cordon d'alimentation à 3 broches avec mise à la terre







## Informations sur la garantie

# CANADA — GARANTIE



## Réfrigérateurs

Canada Inc. garantit tous les réfrigérateurs *Kenmore* neufs contre tout vice de matériau ou de fabrication. En cas de défaut, voici ce que Sears effectuera gratuitement:

Cette garantie couvre:	Durée de la garantie (à compter de la date d'achat)	Pièces: Au choix de Sears, réparation ou remplacement de la pièce défectueuse pendant:	Main d'oeuvre: Installation de la pièce réparée ou de la pièce de rechange pendant:
Le compresseur	DIX (10) ANS	CINQ (10) ANS	DIX (10) ANS
Le système scellé (réfrigérant, évaporateur et condenseur)	CINQ (5) ANS	CINQ (5) ANS	CINQ (5) ANS
Toutes les autres pièces, tous les autres réglages	UN (1) AN	UN (1) AN	UN (1) AN

### Responsabilité normale du consommateur

Les points suivants, qui ne sont pas des défauts de fabrication, ne sont pas compris dans la garantie, mais sont à la charge du client:

- 1) Dommages du fini après livraison.
- 2) Alimentation électrique impropre, faible tension, tout défaut du câblage de la maison, appareil non branché à une prise électrique.
- 3) Remplacement des ampoules électriques.
- 4) Dommages causés par le déplacement de l'appareil.
- 5) Réparations à la suite de modifications, usage abusif, incendie, inondation ou causes naturelles.
- 6) Bonne circulation d'air au système de réfrigération.
- 7) Utilisation et entretien appropriés, comme il est indiqué dans le guide, bon réglage des commandes.

Pour tout entretien nécessaire sous cette garantie, appelez simplement **1-877-LE-FOYER<sup>SM</sup>** (1-877-533-6937).

La garantie ci-dessus concerne les réfrigérateurs *Kenmore* vendus et fonctionnant au Canada seulement.

Elle ne s'applique pas si le réfrigérateur est utilisé à d'autres fins que domestiques.

### Contrat d'entretien Sears

Conservez la valeur de votre réfrigérateur *Kenmore* avec un contrat d'entretien Sears.

**SEARS CANADA INC. • Toronto, Canada • M5B 2B8**

**FRANÇAIS**



# Installation

Ce Manuel d'utilisation et d'entretien fournit des instructions de fonctionnement spécifiques pour votre modèle. N'utilisez le réfrigérateur que de la façon indiquée dans ce manuel d'utilisation et d'entretien. **Avant de faire fonctionner le réfrigérateur, suivez ces premières étapes importantes.**

## EMPLACEMENT

- Placer le réfrigérateur près d'une prise de courant avec mise à la terre. Ne pas utiliser de rallonge ni d'adaptateur.
- Si possible, ne pas placer le réfrigérateur directement sous la lumière du soleil et le placer loin de la cuisinière, du lave-vaisselle et des autres sources de chaleur.
- Le réfrigérateur doit être installé sur un plancher à niveau et suffisamment solide pour supporter le poids du réfrigérateur une fois rempli.
- Prendre en considération la proximité de l'approvisionnement en eau pour les modèles équipés d'une glacière automatique.

## INSTALLATION

- Ne pas installer le réfrigérateur dans un endroit où la température descend en dessous de 13 °C (55 °F) ou monte au-dessus de 43 °C (110 °F). Le compresseur ne pourra maintenir la température appropriée à l'intérieur du réfrigérateur.

**⚠ MISE EN GARDE** Ne pas obstruer le grillage inférieur situé à l'avant de votre réfrigérateur. Une bonne circulation d'air est essentielle pour que votre réfrigérateur fonctionne correctement.

### Dégagement nécessaire pour l'installation

- Laisser le dégagement suivant pour faciliter l'installation et permettre une bonne circulation d'air et les connexions électriques et de plomberie:
  - Côtés et dessus ----- 1cm (3/8 po)
  - Arrière ----- 2,5 cm (1 po)

### OUVERTURE DE LA PORTE

**REMARQUE :** Si votre réfrigérateur est positionné contre un mur sur le côté des pentures, vous devrez peut-être le distancer du mur pour permettre une plus grande ouverture de la porte.

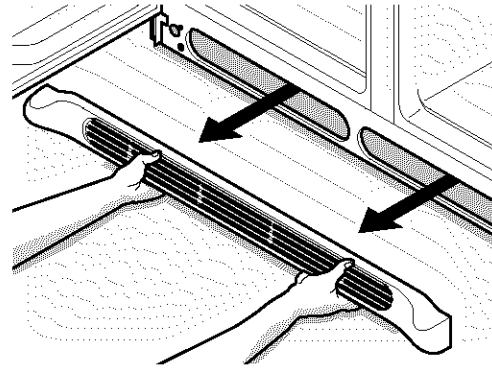
Votre réfrigérateur doit être placé près d'un comptoir de manière à vous permettre d'y déposer facilement la nourriture. Pour faciliter l'utilisation des bacs du réfrigérateur et des paniers du congélateur, placer le réfrigérateur de manière à permettre à la porte du réfrigérateur et à celle du congélateur de s'ouvrir complètement.

## MISE À NIVEAU

Les quatre coins de votre réfrigérateur doivent reposer fermement sur un plancher solide. Votre réfrigérateur est équipé de pieds de nivellement à l'avant pour vous aider le mettre à niveau.

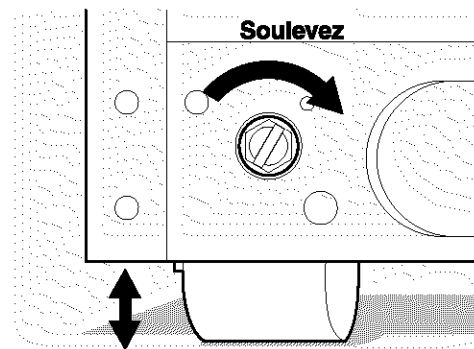
**Pour mettre votre réfrigérateur à niveau :**

1. Enlevez le grillage inférieur.



2. Utilisez un tournevis à lame plate ou une clé à douilles de 9 mm (3/8 po) pour régler les pieds de nivellement avant.

**REMARQUE :** Les portes du réfrigérateur se referment d'elles-mêmes lorsqu'elles sont ouvertes à un angle de 20° ou moins.



3. Vérifier que les joints hermétiques des deux portes sont en contact avec le boîtier sur les quatre côtés.



## Installation - Raccorder la glacière en option à l'alimentation en eau

**AVERTISSEMENT** Afin d'éviter tout risque de chocs électriques qui pourraient entraîner des blessures graves ou même la mort, toujours débrancher le réfrigérateur de la prise de courant avant de le raccorder à l'alimentation en eau.

**MISE EN GARDE** Pour éviter des dommages matériels :

- Il est recommandé d'utiliser des tuyaux en cuivre pour l'alimentation en eau. Les tuyaux en plastique de 6,4 mm (¼ po) ne sont pas recommandés, car ils présentent d'importants risques de fuite. Le fabricant ne sera tenu responsable pour aucun dommage résultant de l'utilisation de tuyaux en plastique.
- **NE PAS** installer les tuyaux d'alimentation en eau dans un endroit où la température peut descendre en dessous du point de congélation.
- Les produits chimiques provenant d'un système, d'adoucisseur d'eau défectueux peuvent endommager la glacière. Si la glacière est connectée à un tel système, s'assurer qu'il est bien entretenu et qu'il fonctionne correctement.

**IMPORTANT** : S'assurer que les raccordements d'alimentation en eau respectent tous les codes de plomberie locaux.

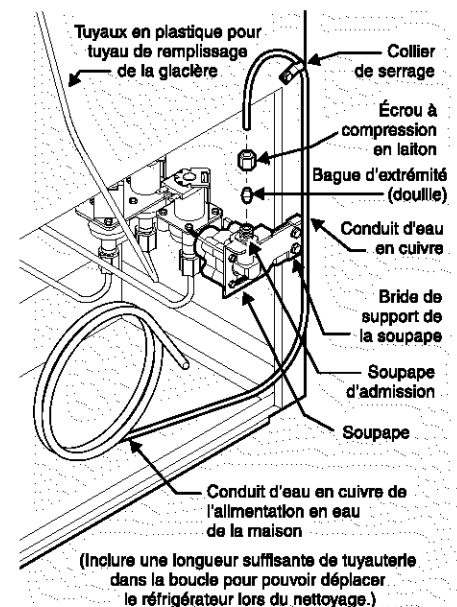
### Avant d'installer de l'alimentation en eau, vous aurez besoin

- **Outils nécessaires** : clé à ouverture variable, tournevis standard à lame plate et tournevis Phillips™.
- Accès au conduit d'alimentation en eau froide de la maison ayant une pression d'eau de 20 à 100 psi.
- Un conduit d'alimentation d'eau en cuivre de 6,4 mm (¼ po) de diamètre intérieur. Pour déterminer la longueur du conduit en cuivre dont vous aurez besoin, vous devrez mesurer la distance entre la soupape de la glacière, située à l'arrière du réfrigérateur, et le conduit d'eau froide. Puis ajouter environ 2,1 m (7 pi), afin de permettre le déplacement du réfrigérateur lors du nettoyage (voir illustration).
- Une vanne d'arrêt branchée au conduit en eau de votre maison. **NE PAS** utiliser de vanne d'arrêt autotaraudeus.
- Un écrou à compression et une bague d'extrémité (douille) pour raccorder le conduit d'alimentation en eau à la soupape d'admission de la glacière.

**REMARQUE** : La trousse de conduit d'eau disponible chez votre fournisseur (pour un coût additionnel), contient un conduit en cuivre de 7,6 m (25 pi) d'un diamètre extérieur de 6,4 mm (¼ po), une vanne d'arrêt de type étrier (non autotaraudeuse), deux écrous à compression en laiton de 6,4 mm (¼ po), deux bagues d'extrémité/douilles, ainsi que des directives d'installation du conduit d'alimentation.

### Pour raccorder le conduit d'alimentation en eau à la soupape d'admission de la glacière

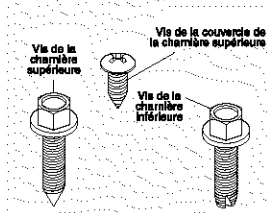
1. Débrancher le réfrigérateur de la prise de courant.
2. Placer l'extrémité du conduit d'alimentation en eau dans un évier ou un seau. OUVRIRE l'alimentation en eau et laisser s'écouler l'eau jusqu'à ce qu'elle soit claire. FERMER l'alimentation en eau à partir de la vanne d'arrêt.
3. Dévisser le capuchon de plastique de la soupape d'admission (certains modèles) et le jeter.
4. Faire glisser l'écrou à compression en laiton puis la bague d'extrémité (douille) sur le conduit d'alimentation en eau, tel qu'illustré.
5. Pousser le conduit d'alimentation en eau dans la soupape d'admission aussi profondément que possible (6,4 mm [¼ po]). Faire glisser la bague d'extrémité (douille) dans la soupape d'admission et visser à la main l'écrou à compression sur la soupape. Visser d'un autre demi-tour avec une clé; **NE PAS** trop serrer.
6. À l'aide d'un collier de serrage et d'une vis, bien fixer le conduit d'alimentation en eau à l'arrière du panneau du réfrigérateur à l'endroit illustré.
7. Enrouler le surplus du conduit d'alimentation en eau (environ 2 tours et demi) à l'arrière du réfrigérateur tel qu'illustré à la figure 1 et le placer de manière à ce qu'il ne vibre pas et ne frotte pas contre une surface.
8. OUVRIRE l'alimentation en eau à partir de la vanne d'arrêt et resserrer tous les raccords qui présentent des fuites.
9. Brancher le réfrigérateur à la prise de courant.
10. Pour faire fonctionner la glacière, rabaisser le levier de signalisation (le commutateur du levier de signalisation se trouve à l'avant de la glacière).



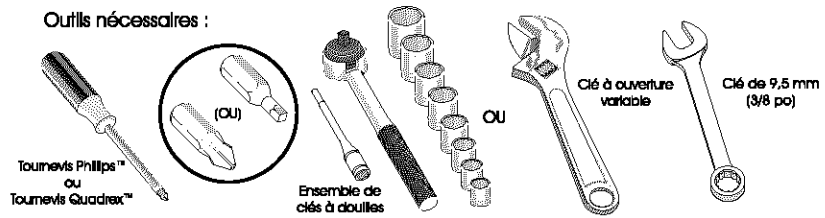
**IMPORTANT**: La glacière prend environ 24 heures avant de commencer à produire des glaçons. La présence d'air dans le nouveau conduit d'alimentation en eau peut faire en sorte que la glacière prenne deux ou trois cycles avant de produire un plein bac à glaçons. Le nouveau conduit d'alimentation en eau peut également amener la production de glaçons décolorés ou ayant un goût désagréable. Jeter les glaçons produits au cours des premières 24 heures.



# Instructions de dépose de la porte



Outils nécessaires :



## INSTRUCTIONS DE DÉPOSE DE LA PORTE:

*Si vous devez faire passer le réfrigérateur par des entrées de porte étroites, suivez les étapes suivantes pour enlever les portes*

**IMPORTANT :** Avant de commencer, tourner la commande de température du congélateur à «O» pour l'éteindre et débrancher le cordon électrique de la prise de courant. Enlever tout ce qui se trouve sur les étagères de la porte.

1. Débrancher le réfrigérateur de la prise de courant.
2. Ouvrir les deux portes, puis retirer le grillage inférieur.
3. Refermer les portes.

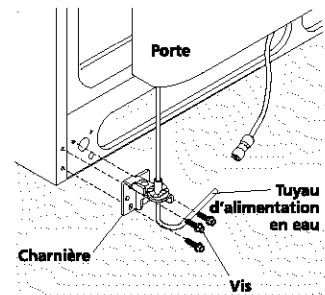
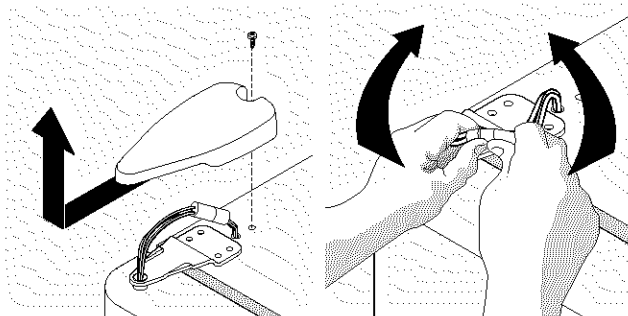
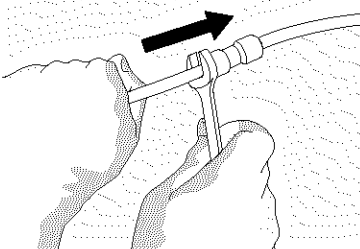
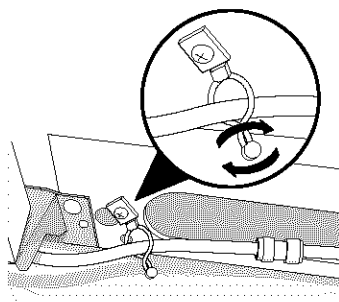
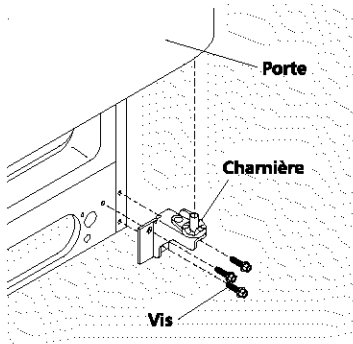
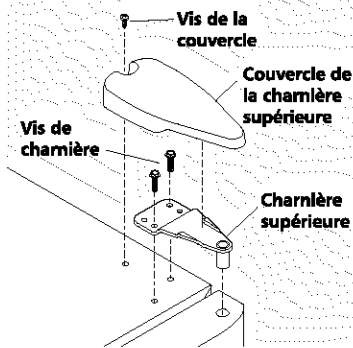
### **Pour enlever la porte du réfrigérateur:**

1. Enlever la vis du couvercle de la charnière supérieure de la porte du réfrigérateur puis enlever le couvercle.
2. Tracer le pourtour de la charnière avec un crayon à mine tendre. Cela facilitera l'alignement des portes lorsque vous les replacerez.
3. Enlever la charnière supérieure et soulever la porte du réfrigérateur de l'axe de charnière inférieure. Mettre la porte de côté.
4. Enlever la charnière inférieure, si nécessaire.
5. Effectuer cette procédure dans l'ordre inverse lorsque vous réinstallerez la porte.

### **Pour enlever la porte du congélateur:**

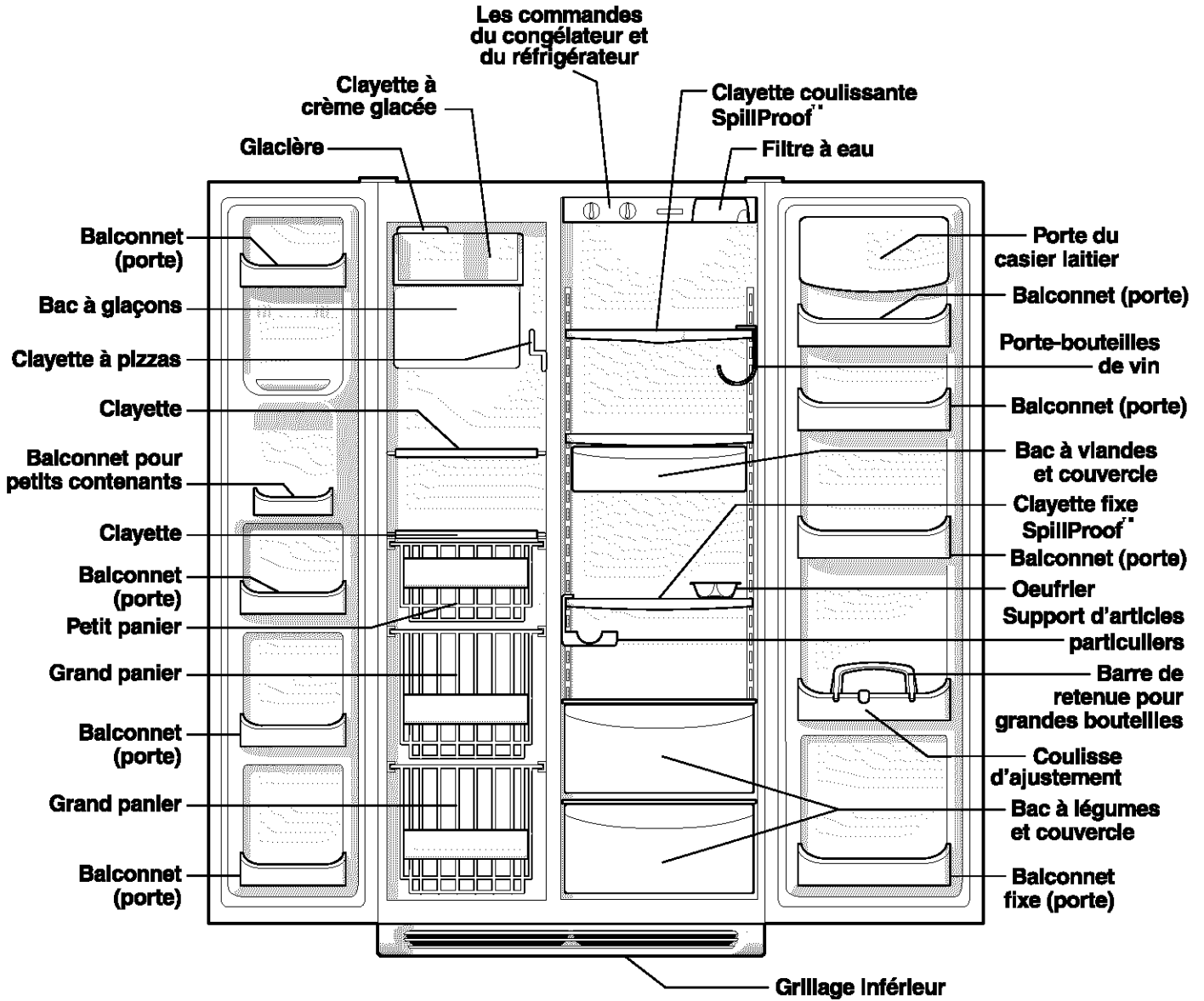
1. Débrancher le conduit d'alimentation en eau provenant de la charnière inférieure de la porte du congélateur au raccord situé sous la partie avant du congélateur : Saisir le tuyau fermement d'une main et, à l'aide d'une clé de 9,5 mm (3/8 po), enfoncer le collet gris de façon à libérer le connecteur d'eau.
2. Enlever la vis du couvercle de la charnière supérieure de la porte du congélateur et enlever le couvercle.
3. Débrancher le connecteur d'alimentation électrique situé à la charnière supérieure: placer vos deux pouces sur les côtés plats des deux pièces du connecteur, les plier d'avant en arrière, puis d'un mouvement ferme, tirer sur les deux pièces pour les détacher.
4. Tracer le pourtour de la charnière avec un crayon à mine tendre. Cela facilitera l'alignement des portes lorsque vous les replacerez.
5. Enlever la charnière supérieure, laissant le connecteur d'alimentation électrique sortir par la charnière et soulever la porte du congélateur de l'axe de la charnière inférieure. Poser la porte à plat pour éviter de déformer le conduit d'alimentation en eau.
6. Enlever la charnière inférieure, si nécessaire.
7. Effectuer de nouveau cette procédure dans l'ordre inverse lorsque vous réinstallerez la porte du congélateur.

Lorsque les deux portes auront été installées, replacer le grillage inférieur et brancher le cordon électrique. Tourner les deux commandes de température pour qu'elles soient à leur position centrale. Régler les commandes de température au besoin.





## Aperçu des caractéristiques



*Les caractéristiques peuvent varier selon le modèle*



## Commandes de température

### PÉRIODE DE REFROIDISSEMENT

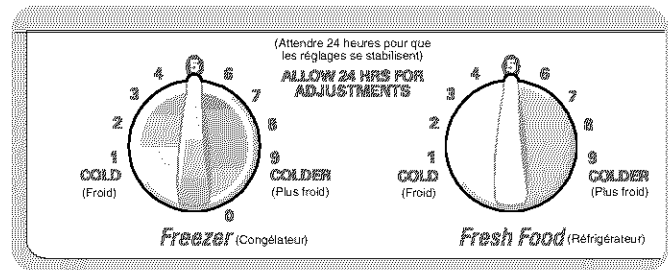
Pour assurer la conservation des aliments, faire fonctionner le réfrigérateur avec les portes fermées pendant au moins 8 à 12 heures avant de mettre de la nourriture dans le réfrigérateur.

### COMMANDES DU RÉFRIGÉRATEUR ET DU CONGÉLATEUR

**REMARQUE:** Lorsque vous réglez les commandes pour la première fois ou que vous changez les réglages, attendez 24 heures pour que la température se stabilise avant d'apporter de nouveaux changements.

### RÉGLAGE DE LA TEMPÉRATURE

- Après 24 heures, régler les commandes au besoin.  
**Ajustez graduellement le bouton de commande de température en le déplaçant un petit peu à la fois pour permettre la stabilisation de la température.**
- Pour obtenir une température plus froide, tourner le cadran vers « **Colder** » (plus froid).
- Pour obtenir une température plus chaude, tourner le cadran vers « **Cold** » (froid).



Les commandes du réfrigérateur et du congélateur

Le ventilateur fait circuler l'air dans les compartiments du réfrigérateur et du congélateur afin d'y maintenir la température. Ne pas obstruer les volets d'entrée de l'air froid avec des aliments afin de maintenir une bonne circulation.

**IMPORTANT:** Tourner la commande de température du congélateur à « **O** » éteint le compresseur sans pour autant couper le courant qui alimente l'ampoule électrique et les autres composants électriques.

GUIDE DE RÉGLAGE DE LA TEMPÉRATURE	
Si le compartiment du réfrigérateur est trop chaud	Tourner un peu la commande du réfrigérateur dans le sens de « <b>Colder</b> » (plus froid)
Si le compartiment du réfrigérateur est trop froid	Tourner un peu la commande du réfrigérateur dans le sens de « <b>Cold</b> » (froid)
Si le compartiment du congélateur est trop chaud	Tourner un peu la commande du congélateur dans le sens de « <b>Colder</b> » (plus froid)
Si le compartiment du congélateur est trop froid	Tourner un peu la commande du congélateur dans le sens de « <b>Cold</b> » (froid)
Pour éteindre le réfrigérateur	Tourner la commande du congélateur à « <b>O</b> »



## Vue de l'intérieur

### TABLETTE À BASCULE (CERTAINS MODÈLES)

La tablette à bascule qui se trouve dans le congélateur permet de ranger aisément les grands articles.

**MISE EN GARDE** Pour éviter les risques de blessures ou les dommages matériels, manipuler avec précaution les clayettes en verre trempé. Les clayettes peuvent se briser soudainement si elles sont ébréchées, égratignées ou exposées à de brusques changements de température.

### RÉGLAGE DES CLAYETTES EN PORTE-À-FAUX

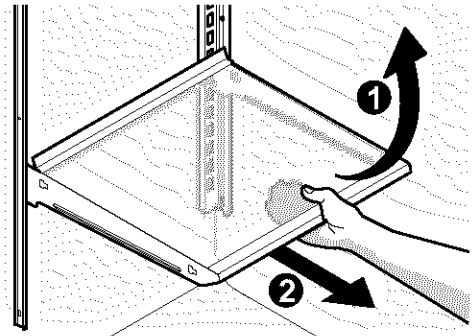
Les clayettes du réfrigérateur peuvent être facilement ajustées selon les besoins. Avant d'ajuster les clayettes, enlever toute nourriture. Les clayettes en porte-à-faux sont offertes en verre ou en métal.

**Pour régler les clayettes en porte-à-faux :**

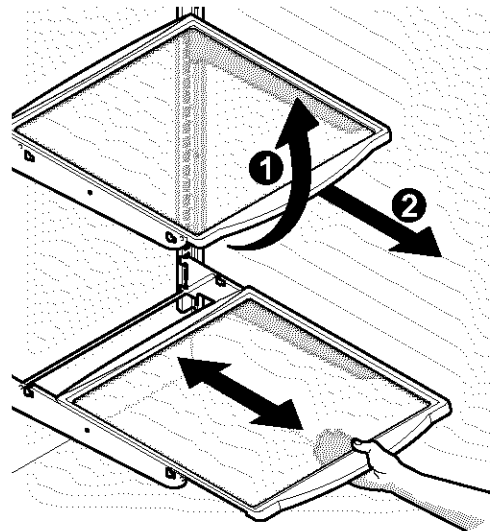
- 1 Soulever le rebord avant.
- 2 Tirer sur la clayette pour l'extraire.

Replacer la clayette en insérant les crochets dans la crémaillère, au fond du réfrigérateur. Abaisser la clayette dans les fentes et verrouiller en position.

Les clayettes en verre *SpillProof™* (certains modèles) retiennent les déversements accidentels. Sur certains modèles, les clayettes en verre *SpillProof™* sont coulissantes pour faciliter le nettoyage et l'accès à la nourriture. Les clayettes coulissent indépendamment des crémaillères. Tirer tout simplement sur la clayette pour l'avancer. Les clayettes peuvent être allongées aussi loin que la butée le permet, mais elles ne peuvent **pas** être enlevées de la crémaillère.



Clayettes en porte-à-faux en verre



Clayette coulissante en verre en porte-à-faux



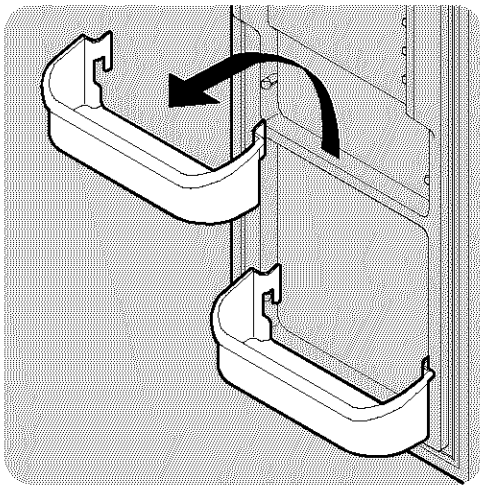
## Vue de l'intérieur (suite)

### PORTE ÉTAGÈRE

Les balconnets, les clayettes et les porte-bouteilles servent à ranger les pots, les bouteilles et boîtes. Les items les plus utilisés peuvent être sélectionnés rapidement.

Certains modèles ont des balconnets et des bacs de porte qui peuvent accommoder les bouteilles d'eau gazeuses de grand format et les bocaux de format économique. Certains balconnets se règlent pour offrir une plus grande capacité de rangement.

Le casier laitier, qui est moins froid que le reste du réfrigérateur, est conçu pour y ranger le fromage, les tartinades et le beurre pour de courtes périodes de temps.



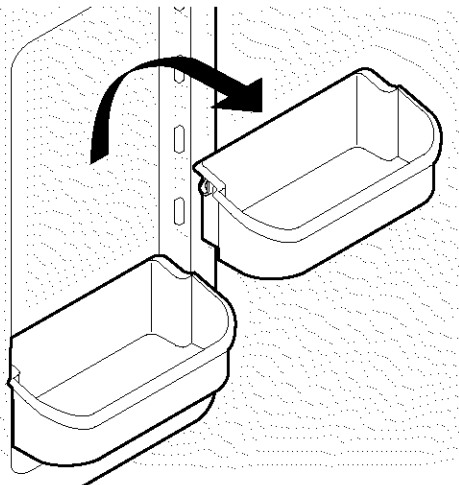
Casier fixe de porte

### BALCONNETS AMOVIBLES

Certains modèles comportent des balconnets amovibles qui peuvent être déplacés selon les besoins.

*Pour déplacer les balconnets*

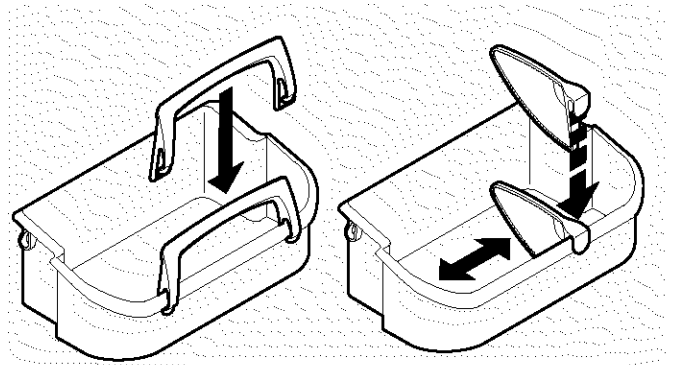
1. Soulever le balconnet.
2. Enlever le balconnet.
3. Replacer le balconnet à l'endroit désiré.
4. Enfoncer le bac dans les supports jusqu'à ce qu'il se verrouille en place.



Balconnet amovible

### BARRE DE RETENUE POUR GRANDES BOUTEILLES (CERTAINS MODÈLES)

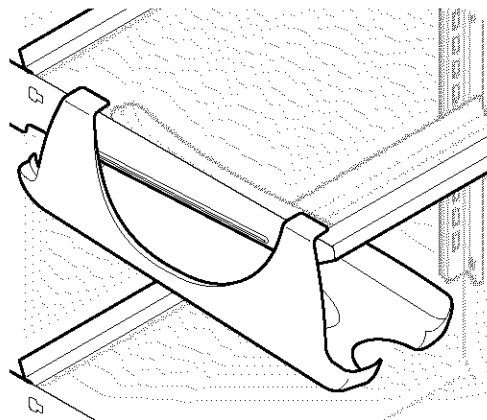
La barre de retenue pour grandes bouteilles permet de maintenir les bouteilles de grand format pendant l'ouverture et la fermeture de la porte. Pour installer la barre de retenue, la tenir par le haut et la faire glisser par-dessus la paroi du bac, tel qu'illustré dans le schéma. La barre de retenue fonctionne mieux avec la coulisse d'ajustement pour balconnet.



Barre de retenue pour grandes bouteilles (gauche) et coulisse d'ajustement pour balconnet (droit)

### SUPPORT D'ARTICLES PARTICULIERS (CERTAINS MODÈLES)

La conception innovatrice du support d'articles particuliers permet de déposer un paquet de 6 canettes de breuvage de 355 ml (12 oz.), une bouteille de vin, une bouteille de 2 litres de boisson gazeuse, ou une douzaine d'œufs. Le support d'articles particuliers s'installe sur le côté gauche de votre réfrigérateur. Pour l'installer, glissez simplement le support d'articles particuliers sur n'importe quelle tablette comme montré sur le dessin.



Support d'articles particuliers

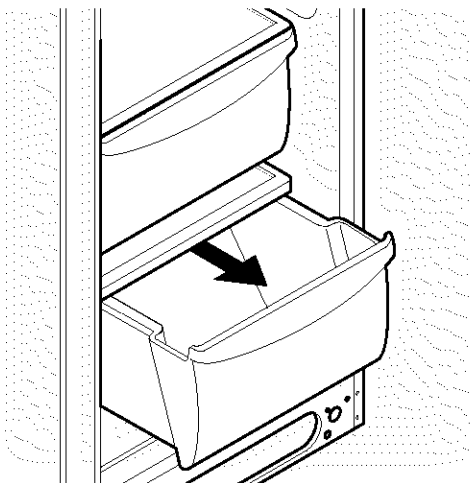




## Vue de l'intérieur - Espace de rangement spécial

### BAC À LÉGUMES (CERTAINS MODÈLES)

Les bacs à légumes, situés sous la clayette inférieure du réfrigérateur, sont conçus pour y placer les fruits, les légumes et les autres produits frais. Laver ces produits à l'eau fraîche et bien les faire égoutter avant de les placer dans les bacs à légumes. Les aliments qui ont une odeur forte ou un haut taux d'humidité doivent être emballés avant d'être rangés dans le réfrigérateur.

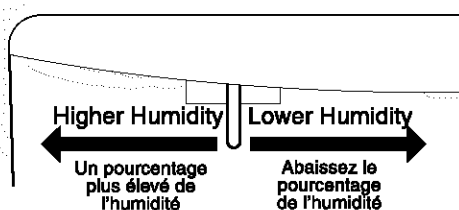


Bac à légumes

### COMMANDE DE L'HUMIDITÉ (CERTAINS MODÈLES)

Certains modèles de bacs à légumes comportent une commande de l'humidité qui vous permet de contrôler le taux d'humidité à l'intérieur du bac. Cette commande permet de prolonger la vie des légumes frais qui se conservent mieux à un haut degré d'humidité.

**REMARQUE:** Les légumes-feuille se conservent mieux lorsque la commande de l'humidité est réglée à «**Higher Humidity**» (un pourcentage plus élevé de l'humidité) ou dans un bac à légumes sans commande de l'humidité.



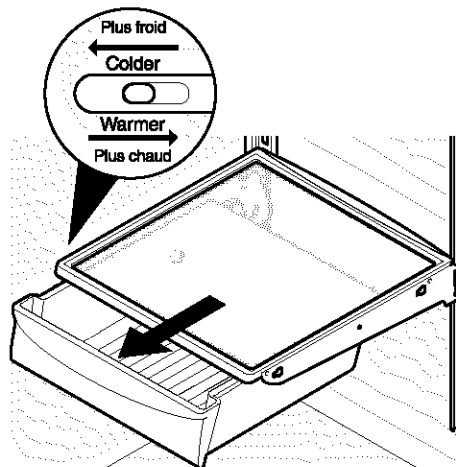
Commande de l'humidité du bac à légumes

### BAC À CHARCUTERIE (CERTAINS MODÈLES)

Certains modèles comportent un bac à charcuterie pour ranger les viandes froides, les tartinades, les fromages et les autres produits fins.

### BAC À VIANDES (CERTAINS MODÈLES)

Certains modèles comportent un bac à viandes. La température du bac à viandes peut être réglée en faisant glisser la commande de température du bac à viandes dans un sens ou dans l'autre. Utiliser ce bac pour les pièces de viandes plus importantes pour de courtes périodes de temps. Si vous désirez conserver la viande pour plus d'un ou deux jours, elle devrait être placée au congélateur. Le bac à viandes est fixe et ne peut être déplacé en haut ou en bas. Si vous rangez des fruits ou des légumes dans le bac à viandes, placer la commande de température du bac à viandes au réglage le plus élevé pour éviter que ces aliments ne gèlent.

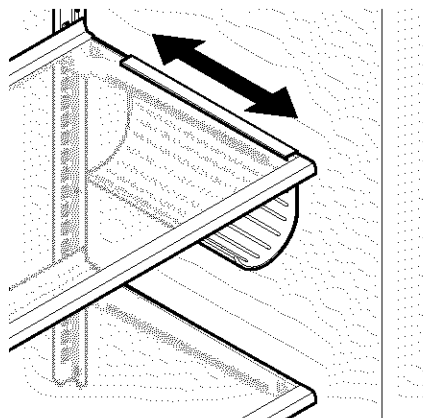


Bac à viandes avec commande de température

**REMARQUE:** Le garde de viande peut être retiré pour le nettoyage. Pour retirer, tirez le garde de viande directement dehors tout en se soulevant vers le haut vers le dos sur le bas du garde de viande.

### PORTE-BOUTEILLES DE VIN (CERTAINS MODÈLES)

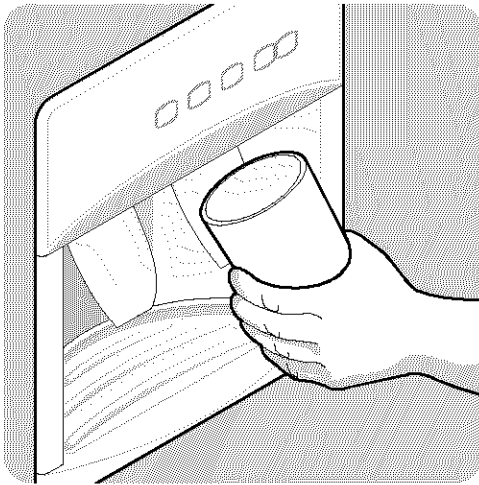
Les porte-bouteilles de vin permettent de ranger les bouteilles de vin, les bouteilles de jus ou de soda de deux litres. Pour installer le porte-bouteilles, le faire glisser sur la clayette en plaçant la partie incurvée vers l'intérieur. Pour l'enlever, le faire glisser vers l'extérieur. L'installer sur un des deux côtés de la clayette.



Porte-bouteilles de vin



## Distributeur automatique d'eau et de glaçons



### CARACTÉRISTIQUES DU DISTRIBUTEUR D'EAU ET DE GLAÇONS

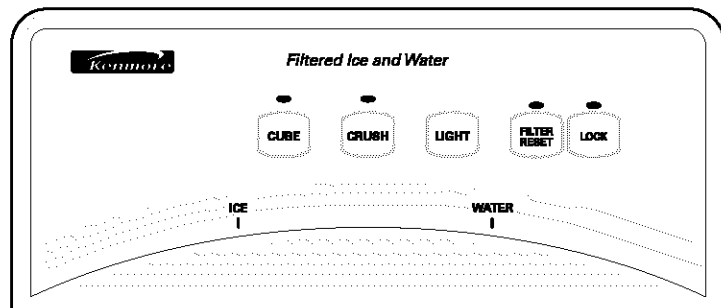
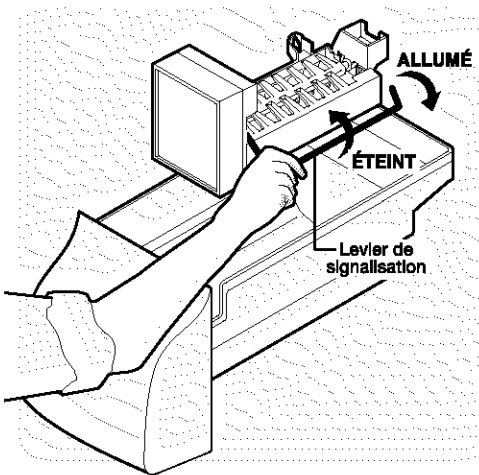
Le distributeur d'eau et de glaçons distribue de l'eau froide ainsi que des glaçons ou de la glace broyée, selon le modèle.

Pour faire fonctionner le distributeur de glaçons, choisir l'option désirée à l'aide de l'interrupteur à effleurement. Appuyer un verre contre le bras de distribution jusqu'au fond pour recueillir tous les glaçons. Pour arrêter la distribution de glaçons, cesser d'appuyer contre le bras de distribution. Ne pas retirer complètement le verre pendant la distribution des glaçons. (Les instructions complètes du fonctionnement du distributeur sont fixées à l'intérieur de la porte du congélateur.)

Pour faire fonctionner le distributeur d'eau, appuyer un verre contre le bras de distribution. Pour arrêter la distribution de l'eau, cesser d'appuyer contre le bras de distribution. Un égouttoir situé à la base du distributeur recueille les petits déversements qui peuvent alors s'évaporer. Cet égouttoir est amovible et résistant au lave-vaisselle. **Ne pas verser d'eau ni de glaçons dans l'égouttoir**, car il ne comporte pas de drain.

### Lumière du distributeur (certains modèles)

Le distributeur comporte une lumière qui peut être allumée ou éteinte en appuyant l'interrupteur de la lumière. De plus, la lumière s'allume automatiquement lorsque de l'eau et/ou de la glace sont distribuées. Remplacer l'ampoule grillée par une ampoule pour appareil électroménager du même wattage.



Panneau du distributeur d'eau et de glaçons  
(Les caractéristiques peuvent varier selon le modèle)

### Fonctionnement du distributeur d'eau

Le réservoir d'eau, situé derrière les bacs à l'intérieur du réfrigérateur, se remplit automatiquement. Pour assurer le fonctionnement optimal du distributeur, la pression de l'eau doit se situer entre 138 et 690 kPa (20 et 100 psi).

Lorsque le réfrigérateur est connecté à l'alimentation en eau, remplir le réservoir en actionnant la distribution d'eau. **Cela prend environ une minute et demie** après avoir actionné le bras de distribution pour que l'eau soit distribuée la première fois. Faire couler l'eau pendant 3 minutes pour éliminer les impuretés du réservoir et de la tuyauterie. Le distributeur d'eau comporte un dispositif d'arrêt qui interrompt l'écoulement de l'eau après 3 minutes sans interruption. Relâcher le bras de distribution pour réenclencher le mécanisme.

**⚠ MISE EN GARDE** Les produits chimiques provenant d'un système d'adoucisseur d'eau défectueux peuvent endommager la glacière. Si la glacière est connectée à un tel système, s'assurer qu'il est bien entretenu et qu'il fonctionne correctement.

### Fonctionnement du distributeur de glaçons

La glacière et le bac à glaçons sont situés dans la partie supérieure du compartiment du congélateur. Lorsque le réfrigérateur est correctement installé et qu'il a refroidi pendant quelques heures, la glacière peut commencer à fabriquer des glaçons après 24 heures. La présence d'air dans le nouveau conduit d'alimentation en eau peut faire en sorte que la glacière prenne deux ou trois cycles avant de produire un plein bac à glaçons. Pour activer la production de glaçons, abaisser le levier de signalisation à sa position ON. La glacière prend environ 2 jours pour remplir le bac à glaçons. La glacière s'éteint automatiquement lorsque le bac à glaçons est plein. Pour arrêter la fabrication de glaçons, soulever le levier de signalisation à sa position OFF (éteint).

L'utilisation de nouveaux conduits d'alimentation en eau peut entraîner la production de glaçons décolorés ou ayant un goût désagréable. Jeter ces premiers glaçons jusqu'à ce qu'ils ne présentent plus de décoloration ou de goût désagréable.



## Distributeur automatique d'eau et de glaçons

### CONSEILS À PROPOS DU DISTRIBUTEUR DE GLAÇONS

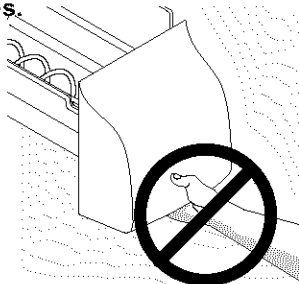
- Les glaçons peuvent prendre un goût désagréable avec le temps. Vider le bac à glaçons et s'assurer que le levier de signalisation est à la position «ON» (allumé). La glacière produira alors d'autres glaçons.
- De temps à autre, secouer le bac à glaçons pour maintenir les cubes de glace séparés.
- Maintenir le levier de signalisation à sa position élevée ou «OFF» (éteint) lorsque le réfrigérateur n'est pas relié au conduit d'alimentation en eau ou lorsque l'alimentation en eau est fermée.

**⚠ MISE EN GARDE** Si le bras de distribution est enfoncé pendant plus de 4 minutes, le moteur du distributeur risque de subir une surcharge et de s'arrêter. Le dispositif de protection se remettra automatiquement en marche après 3 ou 4 minutes.

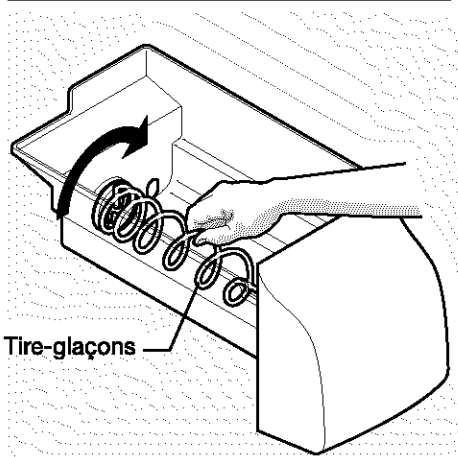
- Si une grande quantité de glaçons est nécessaire dans un court laps de temps, il est préférable de retirer les glaçons directement du bac à glaçons.
- Lorsque la glacière fonctionne, les bruits suivants sont normaux :
  - Moteur qui fonctionne
  - Les glaçons qui se détachent du bac
  - Les glaçons qui tombent dans le bac à glaçons
  - L'eau qui circule
  - La soupape d'admission qui s'ouvre et se ferme
- Arrêter la glacière lorsque vous nettoyez le congélateur et lorsque vous êtes absent pendant plusieurs jours.
- Si la glacière est arrêtée pour une longue période de temps, fermer la soupape d'admission de l'eau.

#### ⚠ AVERTISSEMENT

Ne pas utiliser la chute à glaçons comme poignée lorsque vous enlevez ou remplacez le bac à glaçons. À cet endroit, les surfaces peuvent être acérées.



Ne pas introduire les doigts dans la chute à glaçons. À cet endroit, les surfaces peuvent être acérées.



### NETTOYAGE DU DISTRIBUTEUR DE GLAÇONS

Nettoyer le distributeur et le bac à glaçons régulièrement, particulièrement avant de prendre des vacances, de déménager ou si le distributeur est sale.

1. Arrêter la production de glaçons en soulevant le levier de signalisation à sa position «OFF» (éteint).
2. Soulever le bac à glaçons et l'enlever du congélateur. Le vider et bien le nettoyer avec un détergent **doux**. Le rincer à l'eau fraîche. Ne pas utiliser de détergents forts ou abrasifs. Laisser le bac à glaçons sécher complètement avant de le replacer dans le congélateur.
3. Enlever les morceaux de glace et nettoyer la clayette et la chute qui supportent le bac à glaçon.
4. Replacer le bac à glaçons dans le congélateur. Rabaisser le levier de signalisation de la glacière à sa position «ON» (allumé) afin que la glacière recommence à produire des glaçons.

**IMPORTANT:** Lorsque vous enlevez ou remplacez le bac à glaçons, ne pas changer l'orientation du tire-glaçons. Si le tire-glaçons n'est pas dans la même position, il faudra le ramener à sa position originale pour que son mécanisme d'entraînement puisse entrer dans le bac à glaçons. Pour plus de détails, voir l'étiquette sur le bac à glaçons.

#### Enlever et vider le bac à glaçons dans les cas suivants:

1. Une panne de courant prolongée (une heure ou plus) fera fondre les cubes de glace dans le bac à glaçons qui, par la suite, gèleront ensemble et gêneront le mécanisme du distributeur.
2. Le bac à glaçons n'est pas utilisé fréquemment. Les cubes de glace gèlent ensemble et gênent le mécanisme du distributeur. Enlever le bac à glaçons et le secouer pour dégager les cubes.

**NE JAMAIS** utiliser de pic à glace ou un instrument similaire pour briser la glace. Cela pourrait endommager le bac à glaçons et le mécanisme du distributeur.



# Distributeur automatique d'eau et de glaçons

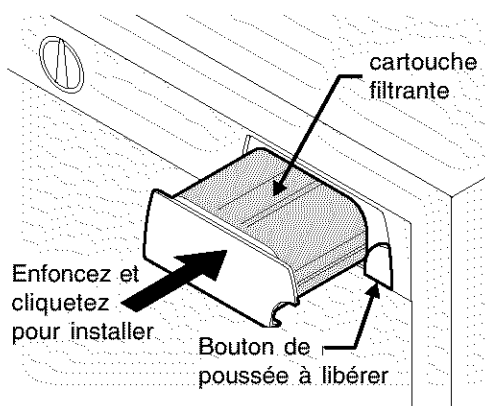
## Glace de Kenmore et filtre avant de l'eau (certains modèles)

**REMARQUE :** Si vous avez acheté un réfrigérateur muni d'un filtre à eau et à glaçons Kenmore, veuillez lire les informations suivantes concernant son utilisation et son entretien. Le système de filtre à eau et à glaçons filtre l'eau de la glacière et du distributeur d'eau. Il est situé dans le coin supérieur bon avant du compartiment pour la nourriture fraîche.

### Démarrage du système :

Il n'est pas nécessaire de fermer l'alimentation en eau; cependant, ne pas utiliser la glacière ni le distributeur d'eau et de glaçons lors de l'installation du filtre.

La cartouche filtrante est déjà installée dans le boîtier du filtre de l'appareil à sa sortie de l'usine. Consulter la section *Fonctionnement du distributeur d'eau* pour obtenir des renseignements sur la façon appropriée de remplir le système d'eau.



### Changement du filtre:

La qualité de l'eau varie selon les régions; cependant, changer le filtre tous les 6 à 9 mois assure normalement la meilleure qualité d'eau possible. Le voyant de fonctionnement du filtre s'allume après un écoulement de 1514 L (400 gal) d'eau par le distributeur d'eau et de glaçons. De plus, si le filtre a séjourné un certain temps dans un réfrigérateur débranché (lors d'un déménagement par exemple), changer le filtre avant de réinstaller le réfrigérateur. Le système du distributeur fonctionne même sans filtre (sans cartouche filtrante).

### Pour changer de filtre :

Il n'est pas nécessaire de couper l'eau pour changer le filtre.

1. Relever la manette de la machine à glaçons à la position OFF (ARRÊT) (voir illustration à la page 13).
2. Appuyer sur le *bouton de libération du filtre*, situé à droite de la cartouche-filtre, pour dégager le filtre du boîtier. Pour éviter que le filtre ne tombe du boîtier lors de sa dépose, il serait préférable de le retenir en le sortant vers soi.

**REMARQUE :** Il est possible qu'un peu d'eau s'écoule pendant cette opération. Préparer un papier essuie-tout ou un linge pour essuyer l'eau qui pourrait s'écouler du filtre ou du boîtier. Deux petits orifices près de l'arrière du boîtier ont été ajoutés pour que l'eau en excès puisse s'échapper. Il serait préférable d'enlever toute nourriture près de cette zone sur la clayette supérieure, avant de retirer le filtre.

3. Sortir la cartouche-filtre en la tirant tout droit du boîtier.
4. Jeter le vieux filtre.
5. Retirer le nouveau filtre de son emballage et l'introduire dans le boîtier du filtre de la même façon que celle utilisée pour la dépose de l'ancien filtre.
6. Lorsque la cartouche est presque totalement introduite, elle butera contre l'attache à l'arrière du boîtier. L'attache retient la cartouche-filtre fermement en place. À ce point, il sera nécessaire de pousser fermement jusqu'à ce que la cartouche s'enclenche bien à sa position. Lorsque la cartouche-filtre sera tout à fait en place, elle sera de niveau avec l'avant du boîtier.
7. Baisser la manette de la machine à glaçons à la position ON (MARCHE).
8. Remplir un verre d'eau. En le faisant, vérifier l'absence de fuite au boîtier du filtre. Il y aura des à-coups et des éclaboussures alors que le système expulse l'air par le gicleur. Ceci est normal.
9. Après avoir obtenu un verre d'eau, continuer à rincer le système pendant environ 3 minutes pour s'assurer que l'eau la plus pure possible est conservée dans le réservoir d'eau.

### IMPORTANT : Réenclenchement du voyant de fonctionnement du filtre (certains modèles).

Après avoir remplacé la cartouche filtrante, il faut appuyer sur le bouton de remise en marche du filtre situé sur le distributeur d'eau et de glaçons. Cela permettra de réenclencher le voyant de fonctionnement du filtre. Appuyer sur le bouton de remise en marche jusqu'à ce que le voyant vert clignote (3 à 15 secondes). Se référer aux instructions complètes du fonctionnement du distributeur fixées à l'intérieur de la porte du congélateur.

Commander de nouvelles cartouches filtrantes au-près du distributeur chez qui vous avez acheté votre réfrigérateur ou contacter le *Centre d'aide aux consommateurs* au 1-800-944-9044. Vous pourriez commander quelques cartouches filtrantes lors de l'installation de votre réfrigérateur. Assurez-vous de commander la cartouche de remplacement FC-100 Kenmore.

**NSF.** Le système de filtre à eau et à glaçons Kenmore NGFC-2000 utilisé conjointement avec la cartouche FC-100 a été vérifié et certifié par NSF International, un organisme de certification à but non lucratif respecté et reconnu à l'échelle nationale pour promouvoir la santé publique. Le système Kenmore est vérifié et certifié ANSI/NSF, normes 42. Consulter la fiche technique pour en connaître les caractéristiques. Ce système ne doit pas être utilisé avec une eau non potable (présence microbiologique) ou une eau dont la qualité n'est pas connue, à moins qu'elle n'ait été désinfectée avant ou après avoir circulée dans le système de filtration.

- Capacité évaluée - 1514 L (400 gal)
- Débit d'écoulement nominal - 0,5 GPM
- Pression nominale maximale - 690 kPa (100 PSI)
- Température de fonctionnement maximale - 37,7 °C (100 °F)



## Conseils pour la conservation des aliments et l'économie d'énergie

### CONSEILS SUR LA CONSERVATION DES ALIMENTS

#### Conservation des aliments frais

- Le compartiment pour la nourriture fraîche doit être maintenu entre 1,1 °C et 4,4 °C (34 °F et 40 °F), la température idéale étant 2,7 °C (37 °F).
- Éviter de surcharger les clayettes du réfrigérateur. Cela réduit la circulation d'air autour des aliments et amène un refroidissement inégal.

#### Fruits et légumes

- Les bacs à légumes emprisonnent l'humidité afin d'aider à conserver la qualité des fruits et des légumes pendant plus longtemps.

#### Viande

- La viande et la volaille non cuites doivent être bien emballées afin d'éviter la contamination des autres aliments et des surfaces.

#### Conservation des aliments congelés

- Le compartiment du congélateur doit être maintenu à une température de -17,7 °C (0 °F) ou moins.
- Les congélateurs fonctionnent plus efficacement lorsqu'ils sont remplis aux trois quarts.

#### Emballage pour la congélation

- Pour réduire la déshydratation et la détérioration de la nourriture, utiliser une feuille d'aluminium, une pellicule pour congélation, un sac pour congélation ou un contenant hermétique. Extraire autant d'air que possible et refermer hermétiquement. L'air peut assécher, décolorer ou altérer le goût de la nourriture (par brûlure au froid).
- Suremballer la viande et la volaille fraîche avec un emballage pour congélation approprié avant de congeler.
- Ne jamais congeler de nouveau de la viande décongelée.

#### Remplir le congélateur

- Éviter de placer trop de nourriture chaude dans le congélateur en même temps. Cela surcharge le congélateur, ralentit le taux de congélation et risque de faire augmenter la température des aliments congelés.
- Laisser de l'espace entre les emballages afin que l'air froid puisse circuler librement et que les aliments refroidissent aussi rapidement que possible.
- Éviter de ranger des aliments difficiles à congeler comme de la crème glacée et du jus d'orange dans la porte du congélateur. Il est préférable de ranger ces aliments à l'intérieur du congélateur où la température subit moins de variations.



### CONSEILS EN MATIÈRE D'ÉCONOMIE D'ÉNERGIE

- Placer le réfrigérateur à l'endroit le plus frais de la pièce, loin de la lumière directe du soleil et des tubulures ou des registres de chauffage. Ne pas placer le réfrigérateur près des appareils producteurs de chaleur comme une plaque chauffante, une cuisinière ou un lave-vaisselle. Si cela n'est pas possible, installez une section d'armoire ou ajoutez une couche additionnelle d'isolant entre les deux appareils afin de permettre au réfrigérateur de fonctionner plus efficacement.
- Mettre le réfrigérateur à niveau afin que les portes se referment bien.
- Consulter ce manuel d'utilisation et d'entretien pour des suggestions de réglages de la commande de température.
- Nettoyer régulièrement le condenseur ce qui permet de maintenir l'efficacité du réfrigérateur. Consulter la fiche d'entretien et de nettoyage, à la page 67.
- Ne pas surcharger le réfrigérateur ni obstruer les volets d'entrée de l'air froid. Le réfrigérateur devra alors fonctionner plus longtemps et consommera plus d'énergie.
- Recouvrir les aliments et essuyer les contenants avant de les ranger au réfrigérateur. Ceci diminue l'accumulation d'humidité à l'intérieur de l'appareil.
- Organiser le réfrigérateur de manière à réduire la fréquence de l'ouverture de la porte. Retirer tous les items dont vous avez besoin en une seule fois et refermer immédiatement la porte.

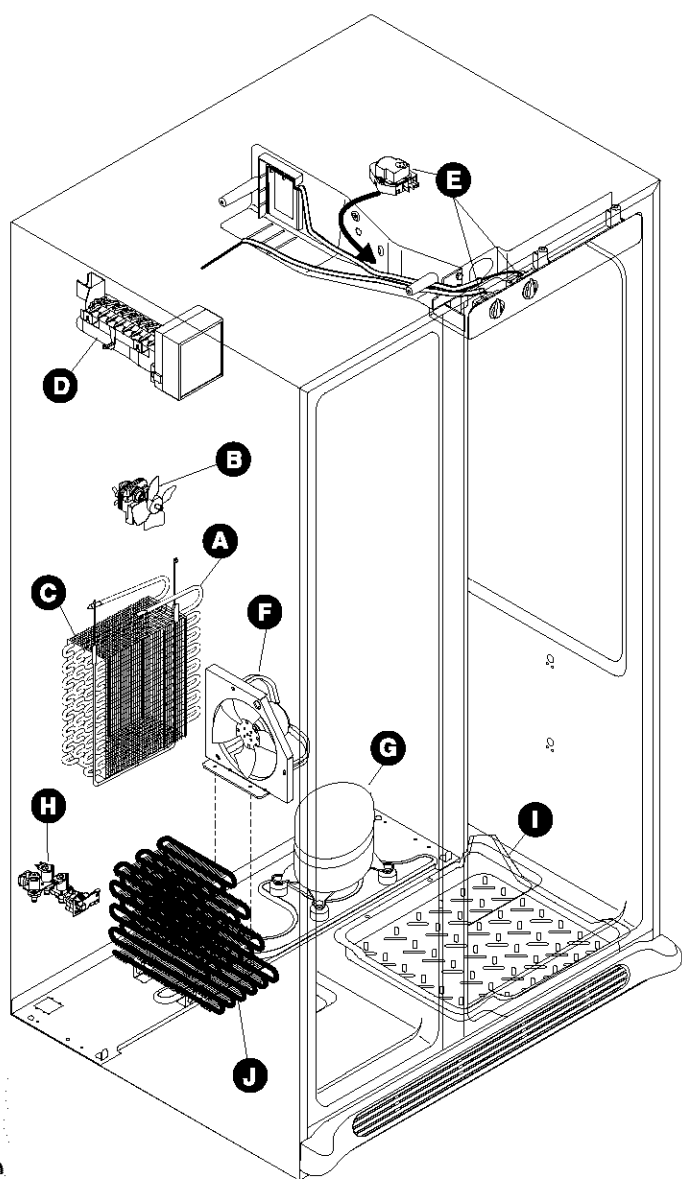


## Bruits de fonctionnement normaux et aspects

### IDENTIFIER LES SONS QUE VOUS ENTENDEZ

Votre nouveau réfrigérateur à rendement élevé peut émettre des sons avec lesquels vous n'êtes pas familier. Ne vous inquiétez pas, ces bruits sont normaux. Les surfaces dures, comme les planchers en vinyle ou en bois, les murs et les comptoirs de cuisine peuvent amplifier les sons.

**REMARQUE:** Les panneaux d'isolant-mousse permettent une bonne économie d'énergie, mais n'offrent pas d'isolation acoustique.



#### A. Évaporateur

Le liquide de refroidissement qui passe dans le circuit d'évaporation peut produire un bruit de gargouillis ou de bouillonnement.

#### B. Ventilateur de l'évaporateur

Il est possible que vous entendiez le bruit de l'air renvoyé dans le réfrigérateur par le ventilateur de l'évaporateur.

#### C. Chauffe-rette de décongélation

Pendant les cycles de décongélation, les gouttes d'eau qui tombent sur la chauffe-rette de décongélation peuvent produire un bruit de sifflement ou de grésillement. Après la décongélation, un bruit de craquement peut se produire.

**IMPORTANT:** Pendant le cycle de décongélation automatique, vous pourrez remarquer une lueur rouge dans les volets sur la paroi au fond du compartiment de votre congélateur. Ceci est normal pendant le cycle de décongélation.

#### D. Glacière automatique

Si votre réfrigérateur est équipé d'une glacière automatique, vous entendrez les cubes de glace tomber dans le bac à glaçons.

#### E. Thermostat et minuteur de décongélation

Ces composants peuvent produire des bruits de claquement ou des cliquetis lorsqu'ils allument ou éteignent le réfrigérateur. Le minuteur peut également émettre un tic-tac semblable à celui d'une horloge électrique.

#### F. Ventilateur du condenseur

Il est possible que vous entendiez le bruit de l'air renvoyé dans le réfrigérateur par le ventilateur du condenseur.

#### G. Compresseur

Les compresseurs à haut rendement fonctionnent beaucoup plus rapidement que ceux des anciens modèles. Le compresseur peut produire un ronronnement aigu ou un bruit de pulsation.

#### H. Soupape

Si votre réfrigérateur est équipé d'une glacière automatique, vous entendrez un bruit de vibration lorsque la soupape s'ouvre pour remplir la glacière à chaque cycle.

#### I. Plateau de récupération

Il est possible que vous entendiez le bruit de l'eau qui coule dans le plateau de récupération pendant le cycle de décongélation.

#### j. Condenseur



## Entretien et nettoyage

Toujours maintenir le réfrigérateur et le congélateur propres afin d'éviter l'apparition de mauvaises odeurs. Nettoyer immédiatement les déversements et laver les deux sections au moins deux fois par an. **Ne jamais** utiliser de tampon à récurer métallique, de brosses, de pâte abrasive ou de solution alcaline forte pour nettoyer les surfaces. **Ne jamais** laver les parties amovibles dans le lave-vaisselle. **Toujours débrancher le cordon d'alimentation électrique de la prise de courant murale avant de commencer le nettoyage.**

### ⚠ MISE EN GARDE

- Lorsque vous déplacez le réfrigérateur, toujours le maintenir à la verticale. **Ne pas faire balancer le réfrigérateur d'un côté à l'autre, cela pourrait endommager le plancher. Prendre soin de ne pas le déplacer au-delà de la longueur des conduits d'alimentation en eau.**
- Les objets humides adhèrent aux surfaces froides en métal. **Ne pas toucher aux surfaces gelées avec les mains mouillées ou humides.**
- Nettoyer le condensateur régulièrement pour le maintenir en bon état et permettre au réfrigérateur de fonctionner le plus efficacement possible.

### REMARQUES:

- Tourner la commande de température du réfrigérateur à «OFF» éteint le compresseur sans pour autant couper le courant qui alimente l'ampoule électrique et les autres composants électriques.
- Ne pas utiliser de lames de rasoir ou d'autres instruments tranchants qui pourraient abîmer la surface de l'appareil pour enlever les étiquettes adhésives. Les résidus de colle des étiquettes et des rubans peuvent être enlevés avec un mélange d'eau chaude et de détergent doux ou en utilisant la surface collante de l'étiquette ou du ruban qui vient d'être enlevé. Ne pas enlever la plaque signalétique.

Fiche d'entretien et de nettoyage		
Pièce	Produits de nettoyage	Conseils et précautions
Revêtement intérieur / de la porte	<ul style="list-style-type: none"> <li>• Eau et savon</li> <li>• Eau et bicarbonate de soude</li> </ul>	Utiliser 2 cuillères de kable de bicarbonate de soude dans ¼ litre (1 pinte) d'eau chade. <b>Bien essor l'éponge ou le chiffon avant de nettoyage autout des commandes, de l'ampoule électrique et de toutes les autres composantes électriques.</b>
Jointe de porte	<ul style="list-style-type: none"> <li>• Eau et savon</li> </ul>	Essuyer les joints avec un chiffon doux et propre.
Bacs / Balconnets	<ul style="list-style-type: none"> <li>• Eau et savon</li> </ul>	Ne jamais laver les parties amovibles (balconnets, bacs, etc.) dans le lave-vaisselle.
Clayettes en verre	<ul style="list-style-type: none"> <li>• Eau et savon</li> <li>• Nettoyage pour verre</li> <li>• Pulvériseur liquide doux</li> </ul>	Laisser le verre se réchauffer à la température de la pièce avant de l'immerger dans de l'eau chaude.
Grillage inférieur	<ul style="list-style-type: none"> <li>• Eau et savon</li> <li>• Pulvériseur liquide doux</li> <li>• Embout d'aspirateur</li> </ul>	Aspirer la poussière de l'avant du grillage inférieur. Enlever le grillage inférieur (Voir l'illustration à la page 50). Passer l'aspirateur sur l'arrière et essuyer avec un chiffon ou une éponge. Rincer et assécher.
Surfaces extérieures et poignées	<ul style="list-style-type: none"> <li>• Eau et savon</li> </ul>	Ne pas utiliser de produits d'entretien ménager, d'ammoniaque ou d'alcool pour nettoyer les poignées.
Surfaces extérieures et poignées (Modèles en acier inoxydable uniquement)	<ul style="list-style-type: none"> <li>• Eau et savon</li> <li>• Ammoniaque</li> <li>• Nettoyants pour acier inoxydable</li> </ul>	Nettoyer l'avant et les poignées en acier inoxydable avec de l'eau savonneuse. Utilisez un décapant non-abrasif d'acier inoxydable. Ces décapants peuvent être achetés la plupart d'amélioration à la maison ou grands magasins principaux.
Serpentins du condenseur	<ul style="list-style-type: none"> <li>• Embouts d'aspirateur</li> </ul>	Utiliser la brosse à épousseter de votre aspirateur pour enlever la poussière accumulée sur les serpentins du condenseur (Voir l'article "J" de l'illustration de la page 62 pour l'emplacement).

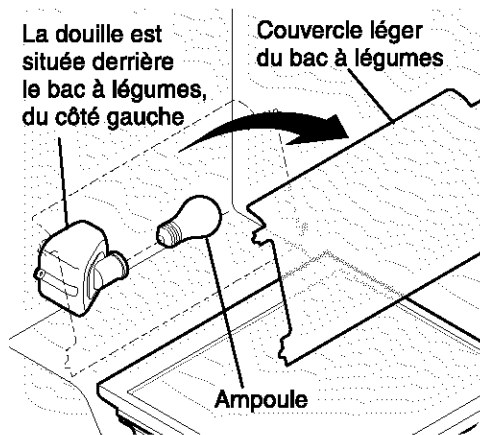


## Entretien et nettoyage (suite)

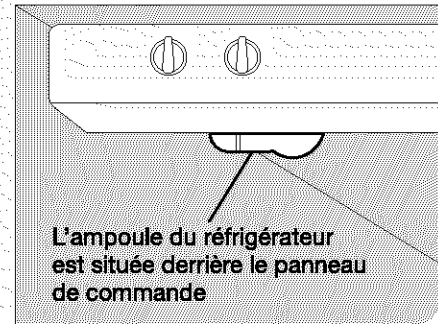
**MISE EN GARDE** Afin d'éviter les coupures, porter des gants pour remplacer les ampoules électriques.

### REPLACEMENT DES AMPOULES

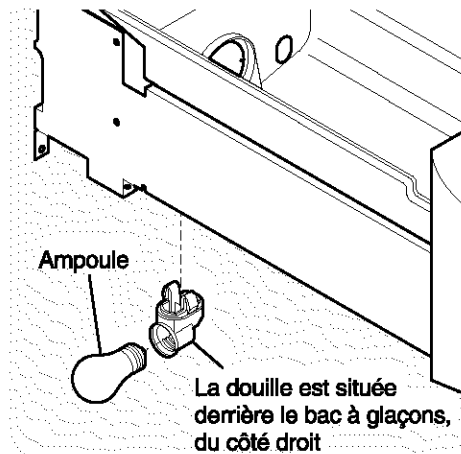
1. Débrancher le réfrigérateur.
2. Porter des gants pour vous protéger au cas où il y aurait du verre brisé.
3. Enlever le couvercle de l'ampoule, si nécessaire.
4. Dévisser et remplacer l'ampoule grillée par une ampoule pour appareil électroménager du même wattage.
5. Replacer le couvercle de l'ampoule, si nécessaire.
6. Ne pas oublier de rebrancher le réfrigérateur.



Remplacement de l'ampoule du bac à légumes (certains modèles)



Remplacement de l'ampoule du réfrigérateur



Remplacement de l'ampoule du congélateur

### Conseils pour les vacances et les déménagements

<b>Absences de courte durée</b>	<ul style="list-style-type: none"> <li>• Laisser le réfrigérateur fonctionner pendant les absences de 3 semaines ou moins.</li> <li>• Consommer tous les aliments périssables rangés dans la section du réfrigérateur.</li> <li>• Éteindre la glacière automatique, même si vous ne vous absentez que pour quelques jours.</li> </ul>
<b>Absences de longue durée</b>	<ul style="list-style-type: none"> <li>• Enlever tous les aliments et la glace si vous vous absentez pour un mois ou plus.</li> <li>• Tourner la commande du réfrigérateur à OFF et débrancher le cordon d'alimentation.</li> <li>• Éteindre la glacière automatique et fermer la soupape d'admission d'eau.</li> <li>• Nettoyer entièrement l'intérieur de l'appareil.</li> <li>• Laisser les deux portes ouvertes afin d'éviter l'apparition d'odeur et de moisissure. Bloquer les portes en position ouverte si nécessaire.</li> </ul>
<b>Déménagement</b>	<ul style="list-style-type: none"> <li>• Enlever toute la nourriture et la glace.</li> <li>• Si vous utilisez un chariot, charger le réfrigérateur de côté.</li> <li>• Régler les pieds de nivellement à leur position la plus rétractée afin de les protéger lors des déplacements.</li> <li>• Recouvrir le boîtier pour en protéger la surface.</li> </ul>

**IMPORTANT** : Si le réfrigérateur est entreposé ou déménagé à des températures sous le point de congélation, il faut drainer complètement l'eau du distributeur d'eau et de glaçons. Ne pas respecter cette consigne risque d'entraîner des fuites d'eau lorsque le réfrigérateur sera remis en service. Contacter un préposé au service pour effectuer cette procédure.





## Avant d'appeler

PROBLÈME	CAUSE	MESURE CORRECTIVE
<b>FONCTIONNEMENT DU RÉFRIGÉRATEUR</b>		
<b>Le compresseur ne fonctionne pas.</b>	<ul style="list-style-type: none"><li>• La commande du congélateur est éteinte (OFF).</li><li>• Le réfrigérateur est dans un cycle de dégivrage.</li><li>• La fiche électrique est débranchée de la prise de courant.</li><li>• Un fusible est grillé ou un disjoncteur a sauté.</li><li>• Panne d'électricité.</li></ul>	<ul style="list-style-type: none"><li>• Régler la commande du congélateur. Consulter la section <b>Commandes de Température</b>.</li><li>• Ceci est normal pour un réfrigérateur à dégivrage entièrement automatique. Le cycle de dégivrage se produit périodiquement et dure environ 30 minutes.</li><li>• S'assurer que la fiche électrique est bien enfoncée dans la prise de courant.</li><li>• Vérifier/remplacer le fusible par un fusible de temporisation de 15 ampères. Réarmer le disjoncteur.</li><li>• Vérifier les ampoules de la maison. Appeler la compagnie d'électricité.</li></ul>
<b>Le réfrigérateur fonctionne trop ou trop longtemps.</b>	<ul style="list-style-type: none"><li>• La température de la pièce est très élevée.</li><li>• Le réfrigérateur a été débranché pendant un certain temps.</li><li>• La glacière automatique fonctionne.</li><li>• Les portes sont ouvertes très souvent ou très longtemps.</li><li>• La porte du réfrigérateur ou du congélateur est légèrement ouverte.</li><li>• La commande du congélateur est réglée à une température trop basse (la commande se trouve dans le réfrigérateur).</li><li>• Les joints du réfrigérateur ou du congélateur sont sales, usés, fendillés ou mal ajustés.</li><li>• Le condenseur est sale.</li></ul>	<ul style="list-style-type: none"><li>• Il est normal que le réfrigérateur fonctionne plus longtemps dans ces conditions.</li><li>• Le réfrigérateur prend 8 à 12 heures pour se refroidir complètement.</li><li>• La fabrication de glaçons amène le réfrigérateur à fonctionner un peu plus.</li><li>• L'air chaud qui entre dans le réfrigérateur l'amène à fonctionner davantage. Ouvrir les portes moins souvent.</li><li>• S'assurer que le réfrigérateur est à niveau. S'assurer que la nourriture et les contenants n'entravent pas la fermeture de la porte. Se référer à la rubrique <b>PROBLÈME</b>, de la section <b>OUVRIR/FERMER LES PORTES ET LES BACS</b>.</li><li>• Régler la commande du réfrigérateur à un réglage plus chaud jusqu'à ce que la température soit adéquate. Attendre 24 heures pour que la température se stabilise.</li><li>• Nettoyer ou changer le joint. Le réfrigérateur doit fonctionner plus longtemps pour maintenir la température lorsque les joints ne sont pas étanches.</li><li>• Nettoyer le condenseur. Voir la <i>Fiche d'entretien et de nettoyage</i> de la section <b>Entretien et nettoyage</b>.</li></ul>
<b>Le compresseur s'allume et s'éteint fréquemment.</b>	<ul style="list-style-type: none"><li>• Le thermostat maintient le réfrigérateur à une température constante.</li></ul>	<ul style="list-style-type: none"><li>• Ceci est normal. Le réfrigérateur s'allume et s'éteint pour maintenir une température constante.</li></ul>
<b>LES TEMPÉRATURES SONT TROP FROIDES</b>		
<b>La température du congélateur est trop froide. La température du réfrigérateur est adéquate.</b>	<ul style="list-style-type: none"><li>• La commande du congélateur est réglée à une température trop basse.</li></ul>	<ul style="list-style-type: none"><li>• Régler la commande du congélateur à un réglage plus chaud. Attendre 24 heures pour que la température se stabilise.</li></ul>
<b>La température du réfrigérateur est trop froide. La température du congélateur est adéquate.</b>	<ul style="list-style-type: none"><li>• La commande du réfrigérateur est réglée à une température trop basse.</li></ul>	<ul style="list-style-type: none"><li>• Régler la commande du réfrigérateur à un réglage plus élevé. Attendre 24 heures pour que la température se stabilise.</li></ul>
<b>La nourriture rangée dans les bacs gèle.</b>	<ul style="list-style-type: none"><li>• La commande du réfrigérateur est réglée à une température trop basse.</li></ul>	<ul style="list-style-type: none"><li>• Voir la solution ci-dessus.</li></ul>



## Avant d'appeler (suite)

PROBLÈME	CAUSE	MESURE CORRECTIVE
<b>LES TEMPÉRATURES SONT TROP FROIDES (SUITE)</b>		
La nourriture rangée dans le bac à viandes gèle (certains modèles).	<ul style="list-style-type: none"> <li>La commande de température du bac à viandes est réglée à une température trop basse.</li> </ul>	<ul style="list-style-type: none"> <li>Régler la commande de température du bac à viandes à un réglage plus élevé. (La viande doit être maintenue à une température juste en dessous du point de congélation pour assurer une durée de conservation maximale. Il est normal que des cristaux de glace se forment sur la viande à cause de sa teneur en humidité.)</li> </ul>
<b>LES TEMPÉRATURES SONT TROP CHAUDES</b>		
La température du réfrigérateur et du congélateur est trop chaude.	<ul style="list-style-type: none"> <li>Les portes sont ouvertes très souvent ou très longtemps.</li> <li>La porte est légèrement ouverte.</li> <li>Le condenseur est sale.</li> </ul>	<ul style="list-style-type: none"> <li>De l'air chaud entre dans le réfrigérateur chaque fois que la porte est ouverte. Ouvrir la porte moins souvent.</li> <li>Se référer à la rubrique <b>PROBLÈME</b>, de la section <b>OUVRIR/FERMER LES PORTES ET LES BACS</b>.</li> <li>Nettoyer le condenseur. Voir la <i>Fiche d'entretien et de nettoyage</i> de la section <b>Entretien et nettoyage</b>.</li> </ul>
La température du congélateur est trop chaude. La température du réfrigérateur est adéquate.	<ul style="list-style-type: none"> <li>La commande du congélateur est réglée à une température trop élevée.</li> </ul>	<ul style="list-style-type: none"> <li>Régler la commande du congélateur à un réglage plus bas. Attendre 24 heures pour que la température se stabilise.</li> </ul>
La température du réfrigérateur est trop chaude. La température du congélateur est adéquate.	<ul style="list-style-type: none"> <li>La commande du réfrigérateur est réglée à une température trop élevée.</li> </ul>	<ul style="list-style-type: none"> <li>Régler la commande du réfrigérateur à un réglage plus bas. Attendre 24 heures pour que la température se stabilise.</li> </ul>
La température du bac à viandes est trop élevée (certains modèles).	<ul style="list-style-type: none"> <li>La commande de température du bac à viandes est réglée à une température trop élevée.</li> </ul>	<ul style="list-style-type: none"> <li>Régler la commande de température du bac à viandes à un réglage plus bas.</li> </ul>
<b>PRÉSENCE D'EAU/D'HUMIDITÉ/DE GIVRE DANS LE RÉFRIGÉRATEUR</b>		
L'humidité s'accumule sur les murs intérieurs du réfrigérateur.	<ul style="list-style-type: none"> <li>La température extérieure est chaude et humide.</li> <li>La porte est légèrement ouverte.</li> <li>La porte est ouverte très souvent ou très longtemps.</li> <li>Des contenants sont ouverts.</li> </ul>	<ul style="list-style-type: none"> <li>Le taux d'accumulation de givre et d'humidité augmente.</li> <li>Se référer à la rubrique <b>PROBLÈME</b>, de la section <b>OUVRIR/FERMER LES PORTES ET LES BACS</b>.</li> <li>Ouvrir les portes moins souvent.</li> <li>Garder les contenants fermés.</li> </ul>
De l'eau s'accumule à la base du couvercle du bac.	<ul style="list-style-type: none"> <li>Les fruits et les légumes contiennent et répandent de l'humidité.</li> </ul>	<ul style="list-style-type: none"> <li>Il est normal qu'un peu d'humidité soit présente à la base du couvercle.</li> <li>Mettre la commande de l'humidité (certains modèles) à un réglage plus bas.</li> </ul>
De l'eau s'accumule au fond du bac.	<ul style="list-style-type: none"> <li>Les fruits et légumes lavés s'égouttent dans le bac.</li> </ul>	<ul style="list-style-type: none"> <li>Assécher les aliments avant de les placer dans le bac. Il est normal que de l'eau s'accumule au fond du bac.</li> </ul>
<b>PRÉSENCE D'EAU/D'HUMIDITÉ/DE GIVRE À L'EXTÉRIEUR DU RÉFRIGÉRATEUR</b>		
De l'humidité s'accumule à l'extérieur du réfrigérateur ou entre les portes.	<ul style="list-style-type: none"> <li>Le temps est humide.</li> <li>Les portes sont légèrement ouvertes et l'air froid du réfrigérateur entre en contact avec l'air chaud de l'extérieur.</li> </ul>	<ul style="list-style-type: none"> <li>Ceci est normal par temps humide. Lorsque le temps sera moins humide, ce problème devrait disparaître.</li> <li>Se référer à la rubrique <b>PROBLÈME</b>, de la section <b>OUVRIR/FERMER LES PORTES ET LES BACS</b>.</li> </ul>



## Avant d'appeler (suite)

PROBLÈME	CAUSE	MESURE CORRECTIVE
<b>GLACIÈRE AUTOMATIQUE</b>		
La glacière automatique ne produit pas de glaçons.	<ul style="list-style-type: none"><li>Le levier de signalisation de la glacière est soulevé à la position « OFF » (éteint).</li><li>La vanne du conduit d'alimentation en eau n'est pas ouverte.</li><li>Le congélateur n'est pas suffisamment froid.</li><li>La vanne à étrier du conduit d'eau froide est obstruée par des corps étrangers.</li><li>Vérifier si le distributeur d'eau fonctionne.</li></ul>	<ul style="list-style-type: none"><li>Rabaisser le levier de signalisation à sa position « ON » (allumé).</li><li>Ouvrir la vanne du conduit d'alimentation en eau.</li><li>Se référer à la rubrique <b>PROBLÈME</b>, de la section <b>LES TEMPÉRATURES SONT TROP CHAUDES</b>.</li><li>Fermer la vanne du conduit d'alimentation en eau. Enlever la vanne. S'assurer que la vanne n'est pas une vanne d'arrêt autotaraudeuse. Nettoyer la vanne. La remplacer si nécessaire.</li><li>Si ce n'est pas le cas, la cartouche filtrante est obstruée par des corps étrangers et doit être remplacée.</li></ul>
La glacière automatique ne produit pas suffisamment de glaçons.	<ul style="list-style-type: none"><li>La glacière produit moins de glaçons que prévu.</li><li>Le congélateur n'est pas suffisamment froid.</li><li>La vanne du conduit d'alimentation en eau n'est pas complètement ouverte.</li><li>Vérifier si le distributeur d'eau fournit moins d'eau que normalement.</li></ul>	<ul style="list-style-type: none"><li>La glacière doit produire environ 1,8 à 2,3 kg (4 à 5 lb) de glaçons par 24 heures. Le dispositif <i>Glaçons supplémentaires (Extra Ice)</i> doit produire jusqu'à 3,6 kg (8 lb) de glaçons par 24 heures.</li><li>Se référer à la rubrique <b>PROBLÈME</b>, de la section <b>LES TEMPÉRATURES SONT TROP CHAUDES</b>.</li><li>Ouvrir la vanne du conduit d'alimentation en eau.</li><li>Si c'est le cas, remplacer la cartouche filtrante.</li></ul>
La glacière n'arrête pas de fabriquer de la glace.	<ul style="list-style-type: none"><li>Le levier de signalisation de la glacière est maintenu appuyé par quelque chose dans le congélateur.</li></ul>	<ul style="list-style-type: none"><li>Déplacer l'objet pour dégager le levier de signalisation. Enlever les cubes de glace qui obstruent le levier de signalisation.</li></ul>
La glacière ne sépare pas les cubes de glace.	<ul style="list-style-type: none"><li>Les cubes de glace ne sont pas utilisés assez fréquemment.</li><li>Les cubes de glace sont creux ou plus petits que normalement.</li></ul>	<ul style="list-style-type: none"><li>Enlever et secouer le bac à glaçons pour séparer les glaçons.</li><li>Il est possible que la cartouche filtrante soit obstruée. Remplacer la cartouche filtrante.</li></ul>
Les glaçons présentent une décoloration et un goût désagréable.	<ul style="list-style-type: none"><li>La glace a pris l'odeur ou la saveur de nourriture rangée dans le réfrigérateur ou le congélateur.</li><li>L'eau qui alimente la glacière a une odeur ou une saveur désagréable.</li><li>Les glaçons sont trop vieux.</li></ul>	<ul style="list-style-type: none"><li>Emballer la nourriture hermétiquement. Jeter les vieux glaçons. La glacière produira de nouveaux glaçons.</li><li>Ajouter un filtre à l'alimentation en eau. Consulter une entreprise d'épuration de l'eau.</li><li>Jeter les vieux glaçons.</li></ul>
<b>BAC À GLAÇONS</b>		
Le bac à glaçons ne distribue pas de glaçons.	<ul style="list-style-type: none"><li>Le bac à glaçon est vide.</li></ul>	<ul style="list-style-type: none"><li>Lorsque la première production de glaçons tombe dans le bac à glaçons, le distributeur devrait fonctionner.</li></ul>



## Avant d'appeler (suite)

PROBLÈME	CAUSE	MESURE CORRECTIVE
<b>BAC À GLAÇONS (suite)</b>		
Le bac à glaçons ne distribue pas de glaçons. (suite)	<ul style="list-style-type: none"> <li>La température du congélateur est trop chaude.</li> <li>La vanne du conduit d'alimentation en eau n'est pas ouverte.</li> <li>La porte du congélateur n'est pas fermée.</li> <li>Le levier du bac à glaçons a été enfoncé pendant plus de 4 à 5 minutes.</li> </ul>	<ul style="list-style-type: none"> <li>Régler la commande du congélateur à un réglage plus élevé afin de permettre la fabrication de glaçons. Lorsque la première production de glaçons est fabriquée, le distributeur devrait fonctionner.</li> <li>Ouvrir le conduit d'alimentation en eau de la maison. Laisser suffisamment de temps pour que la glace se forme. Lorsque les glaçons sont produits, le distributeur devrait fonctionner.</li> <li>S'assurer que la porte du congélateur est fermée.</li> <li>Le moteur a subi une surcharge. Le dispositif de protection du moteur se remettra automatiquement en marche après environ 3 minutes. Les glaçons peuvent être distribués.</li> </ul>
Le distributeur de glaçons est obstrué.	<ul style="list-style-type: none"> <li>La glace a fondu et gelé autour du tire-glaçons à cause d'un manque d'utilisation, de fluctuations de température et /ou de pannes de courant.</li> <li>Les glaçons sont coincés entre la glacière et le fond du bac à glaçons.</li> <li>Les glaçons ont gelé ensemble.</li> <li>Les cubes de glace sont creux ou plus petits que normalement.</li> </ul>	<ul style="list-style-type: none"> <li>Enlever le bac à glaçons, le laisser dégeler et le vider. Nettoyer le bac à glaçons, l'essuyer et le replacer correctement dans le congélateur. Lorsque de nouveaux glaçons sont fabriqués, le distributeur devrait fonctionner.</li> <li>Enlever les cubes de glace qui obstruent le distributeur.</li> <li>Utiliser le distributeur régulièrement pour empêcher que les glaçons ne gèlent ensemble.</li> <li>Il est possible que la cartouche filtrante soit obstruée. Remplacer la cartouche filtrante. Le distributeur fonctionne mieux lorsque la pression de l'eau est située entre 138 et 690 kPa (20 et 100 psi). La pression de l'eau provenant d'un puits doit rester dans ces paramètres.</li> </ul>
<b>DISTRIBUTEUR D'EAU</b>		
Le distributeur d'eau ne distribue pas d'eau.	<ul style="list-style-type: none"> <li>La vanne du conduit d'alimentation en eau n'est pas ouverte.</li> <li>La porte du congélateur n'est pas fermée.</li> <li>La cartouche filtrante est obstruée.</li> </ul>	<ul style="list-style-type: none"> <li>Ouvrir le conduit d'alimentation en eau de la maison. Se référer à la rubrique <b>PROBLÈME</b>, de la section <b>LA GLACIÈRE NE PRODUIT PAS DE GLAÇONS</b>.</li> <li>S'assurer que la porte du congélateur est fermée.</li> <li>Remplacer la cartouche filtrante.</li> </ul>
L'eau a un goût et/ou une odeur désagréable.	<ul style="list-style-type: none"> <li>L'eau a séjourné trop longtemps dans le réservoir.</li> <li>L'appareil n'est pas bien branché au conduit d'alimentation en eau froide.</li> <li>La tuyauterie de la maison et l'installation peuvent affecter la qualité de l'eau.</li> <li>L'eau a une haute teneur en minéraux.</li> </ul>	<ul style="list-style-type: none"> <li>Faire couler 10 à 12 verres d'eau afin de vider complètement le réservoir et de renouveler l'eau.</li> <li>Brancher l'appareil au conduit d'alimentation en eau froide qui alimente le robinet de la cuisine.</li> <li>Pour obtenir de meilleurs résultats, utiliser une tuyauterie en cuivre pour l'alimentation en eau.</li> <li>Contactez la station de traitement d'eau potable pour obtenir de l'aide.</li> </ul>
La pression d'eau est extrêmement faible.	<ul style="list-style-type: none"> <li>Les pressions d'activation et de désactivation sont trop basses (alimentation avec un puits uniquement).</li> <li>Le système à osmose inversée est dans sa phase de régénération.</li> </ul>	<ul style="list-style-type: none"> <li>Faire augmenter les pressions d'activation et de désactivation du système de pompe à eau (alimentation avec un puits uniquement).</li> <li>Il est normal que la pression d'un système à osmose inversée soit en dessous de 138 kPa (20 psi) pendant sa phase de régénération.</li> </ul>



## Avant d'appeler (suite)

PROBLÈME	CAUSE	MESURE CORRECTIVE
<b>PRÉSENCE D'ODEURS DANS LE RÉFRIGÉRATEUR</b>		
L'intérieur du réfrigérateur est sale.	<ul style="list-style-type: none"><li>• L'intérieur a besoin d'être nettoyé.</li><li>• De la nourriture dégage une forte odeur dans le réfrigérateur.</li></ul>	<ul style="list-style-type: none"><li>• Voir la <i>Fiche d'entretien et de nettoyage</i> de la section <b>Entretien et nettoyage</b>.</li><li>• Emballer la nourriture hermétiquement.</li></ul>
<b>OUVRIR/FERMER LES PORTES ET LES BACS</b>		
Une ou des portes ne ferment pas.	<ul style="list-style-type: none"><li>• La porte a été fermée trop brusquement et s'est légèrement réouverte.</li><li>• Le réfrigérateur n'est pas à niveau. Il se balance lorsqu'on le déplace un peu.</li><li>• Le réfrigérateur touche un mur ou un comptoir.</li></ul>	<ul style="list-style-type: none"><li>• Fermer doucement les deux portes.</li><li>• S'assurer que le plancher est solide et à niveau et qu'il peut supporter le poids du réfrigérateur. Contacter un charpentier pour corriger un plancher affaissé ou en pente.</li><li>• S'assurer que le plancher est solide et à niveau et qu'il peut supporter le poids du réfrigérateur. Contacter un charpentier pour corriger un plancher affaissé ou en pente.</li></ul>
Les bacs sont difficiles à ouvrir et à refermer.	<ul style="list-style-type: none"><li>• La nourriture touche la clayette au-dessus du bac.</li><li>• La glissière du bac est sale.</li></ul>	<ul style="list-style-type: none"><li>• Placer moins de nourriture dans le bac.</li><li>• Nettoyer le bac, les roulements et la glissière. Voir la <i>Fiche d'entretien et de nettoyage</i> de la section <b>Entretien et nettoyage</b>.</li></ul>
<b>L'AMPOULE NE S'ALLUME PAS</b>		
L'ampoule ne s'allume pas.	<ul style="list-style-type: none"><li>• L'ampoule est brûlée.</li><li>• L'interrupteur est coincé.</li><li>• Le courant électrique ne se rend pas au réfrigérateur.</li></ul>	<ul style="list-style-type: none"><li>• Voir la rubrique <i>Remplacement des ampoules</i> de la section <b>Entretien et nettoyage</b>.</li><li>• L'interrupteur est situé sur le côté de l'enceinte du réfrigérateur et du congélateur.</li><li>• Se référer à la rubrique <b>PROBLÈME</b>, de la section <b>FONCTIONNEMENT DU RÉFRIGÉRATEUR</b>.</li></ul>

# Get it fixed, at your home or ours!

For repair of major brand appliances **in your own home...**  
no matter who made it, no matter who sold it!

**1-800-4-MY-HOME<sup>SM</sup>** Anytime, day or night  
(1-800-469-4663)

[www.sears.com](http://www.sears.com)

To bring in products such as vacuums, lawn equipment and electronics  
for repair, call for the location of your nearest **Sears Parts & Repair Center.**

**1-800-488-1222** Anytime, day or night

[www.sears.com](http://www.sears.com)

For the replacement parts, accessories and owner's manuals  
that you need to do-it-yourself, call **Sears PartsDirect<sup>SM</sup>!**

**1-800-366-PART** 6 a.m. – 11 p.m. CST,  
(1-800-366-7278) 7 days a week

[www.sears.com/partsdirect](http://www.sears.com/partsdirect)

To purchase or inquire about a Sears Service Agreement:

**1-800-827-6655**

7 a.m. – 5 p.m. CST, Mon. – Sat.

Para pedir servicio de reparación a domicilio,  
y para ordenar piezas con entrega a domicilio:

**1-888-SU-HOGAR<sup>SM</sup>**  
(1-888-784-6427)

Au Canada pour service en français:

**1-877-LE-FOYER<sup>SM</sup>**  
(1-877-533-6937)

**SEARS**  
**HomeCentral<sup>SM</sup>**