

# Operator's Manual

## Snow Thrower

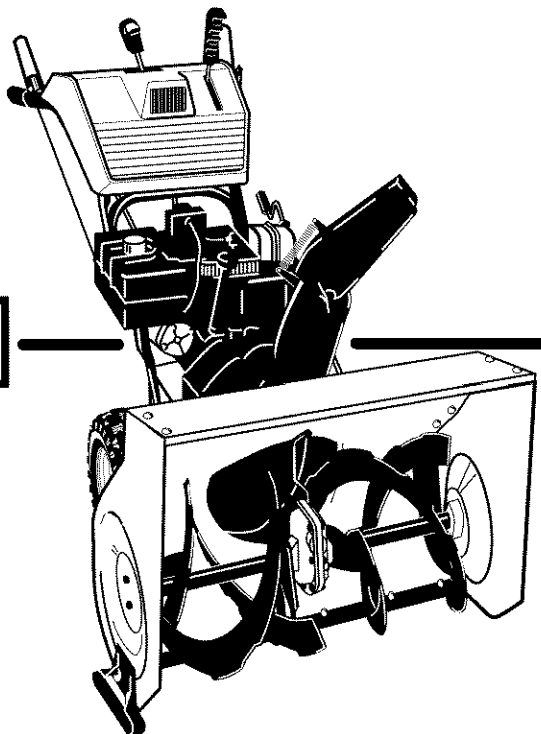
11 Horsepower

Electric Start

30-inch Dual Stage

Model 536.881112

**CAUTION:** Before using this product, read this manual and follow all of its Safety Rules and Operating Instructions.



**CRAFTSMAN**<sup>®</sup>

Manual del usuario

Quitanieves

de 30 pulgadas

11 caballos de fuerza (hp)

Bietápico

Arranque eléctrico

Modelo 536.881112

**PRECAUCIÓN:** Antes de usar este producto, lea este manual y siga todas las reglas de seguridad e instrucciones de operación.

Sears, Roebuck and Co., Hoffman Estates, IL 60179 U.S.A.

F-011047L

[www.sears.com/craftsman](http://www.sears.com/craftsman)

## TABLE OF CONTENTS

WARRANTY STATEMENT .....	2	STORAGE .....	32
SAFETY RULES .....	2	TROUBLE SHOOTING CHART ..	33
INTERNATIONAL SYMBOLS ...	4	REPAIR PARTS .....	37
ASSEMBLY .....	6	ENGINE REPAIR PARTS .....	56
OPERATION .....	12	SPANISH (ESPAÑOL) .....	64
MAINTENANCE .....	19	PARTS ORDERING/SERVICE ..	
SERVICE AND ADJUSTMENT ..	22	BACK COVER	

## WARRANTY STATEMENT

### LIMITED TWO-YEAR WARRANTY ON CRAFTSMAN SNOW THROWER

For two years from the date of purchase, when this Craftsman Snow thrower is maintained, lubricated, and tuned up according to the operating and maintenance instructions in the owner's manual, Craftsman will repair, free of charge, any defect in material or workmanship.

If this Craftsman Snow thrower is used for commercial or rental purposes, this warranty applies for only 90 days from the date of purchase.

This warranty does not cover the following:

- Items which become worn during normal use, such as spark plugs, drive belts and shear pins.
- Repair necessary because of operator abuse or negligence, including bent crankshafts and the failure to maintain the equipment according to the instructions contained in the owner's manual.

**WARRANTY SERVICE IS AVAILABLE BY RETURNING THE CRAFTSMAN SNOW THROWER TO THE NEAREST CRAFTSMAN SERVICE CENTER/DEPARTMENT IN THE UNITED STATES. THIS WARRANTY APPLIES ONLY WHILE THIS PRODUCT IS IN USE IN THE UNITED STATES.**

This warranty gives you specific legal rights, and you may also have other rights which may vary from state to state.

Sears, Roebuck and Co., D817WA, Hoffman Estates, IL 60179

## SAFETY RULES



**LOOK FOR THIS SYMBOL TO POINT OUT IMPORTANT SAFETY PRECAUTIONS. IT MEANS-- ATTENTION!!! BECOME ALERT!!! YOUR SAFETY IS INVOLVED.**



### WARNING:



**Engine Exhaust, some of its constituents, and certain vehicle components contain or emit chemicals known to the State of California to cause cancer and birth defects or other reproductive harm.**

**Battery posts, terminals and related accessories contain lead and lead compounds, chemicals known to the State of California to cause cancer and birth defects or other reproductive harm. WASH HANDS AFTER HANDLING.**



**WARNING:** Always disconnect the spark plug wire and place it where it cannot make contact with spark plug to prevent accidental starting during: Preparation, Maintenance, or Storage of your snow thrower.

**IMPORTANT:** Safety standards require operator presence controls to minimize the risk of injury. Your snow thrower is equipped with such controls. Do not attempt to defeat the function of the operator presence control under any circumstances.

## TRAINING

1. Read the operating and service instruction manual carefully. Be thoroughly familiar with the controls and the proper use of the equipment. Know how to stop the unit and disengage the controls quickly.
2. Never allow children to operate the equipment. Never allow adults to operate the equipment without proper instruction.
3. Keep the area of operation clear of all persons, particularly small children and pets.
4. Exercise caution to avoid slipping or falling especially when operating in reverse.

## PREPARATION

1. Thoroughly inspect the area where the equipment is to be used and remove all doormats, sleds, boards, wires, and other foreign objects.
2. Disengage all clutches before starting the engine (motor).
3. Do not operate the equipment without wearing adequate winter outer garments. Wear footwear that will improve footing on slippery surfaces.
4. Handle fuel with care; it is highly flammable.
  - a. Use an approved fuel container.
  - b. Never remove fuel tank cap or add fuel to a running engine (motor) or hot engine (motor).
  - c. Fill fuel tank outdoors with extreme care. Never fill fuel tank indoors.
  - d. Replace fuel cap securely and wipe up spilled fuel.
  - e. Never store fuel or snow thrower with fuel in the tank inside of a building where fumes may reach an open flame or spark.
  - f. Check fuel supply before each use, allowing space for expansion as the heat of the engine (motor) and/or sun can cause fuel to expand.
5. For all units with electric starting motors use electric starting extension cords certified CSA/UL. Use only with a receptacle that has been installed in accordance with local inspection authorities.
6. Adjust the snow thrower height to clear gravel or crushed rock surface.
7. Never attempt to make any adjustments while the engine (motor) is running (except when specifically recommended by manufacturer).
8. Let engine (motor) and snow thrower adjust to outdoor temperatures before starting to clear snow.

9. Always wear safety glasses or eye shields during operation or while performing an adjustment or repair to protect eyes from foreign objects that may be thrown from the snow thrower.

## OPERATION

1. Do not operate this machine if you are taking drugs or other medication which can cause drowsiness or affect your ability to operate this machine.
2. Do not use this machine if you are mentally or physically unable to operate this machine safely.
3. Do not put hands or feet near or under rotating parts. Keep clear of the discharge opening at all times.
4. Exercise extreme caution when operating on or crossing gravel drives, walks or roads. Stay alert for hidden hazards or traffic.
5. After striking a foreign object, stop the engine (motor), remove the wire from the spark plug, thoroughly inspect snow thrower for any damage, and repair the damage before restarting and operating the snow thrower.
6. If the unit should start to vibrate abnormally, stop the engine (motor) and check immediately for the cause. Vibration is generally a warning of trouble.
7. Stop the engine (motor) whenever you leave the operating position, before unclogging the auger/impeller housing or discharge chute and when making any repairs, adjustments, or inspections.
8. When cleaning, repairing, or inspecting, make certain the auger/impeller and all moving parts have stopped and all controls are disengaged. Disconnect the spark plug wire and keep the wire away from the spark plug to prevent accidental starting.
9. Take all possible precautions when leaving the snow thrower unattended. Disengage the auger/ impeller, stop engine (motor), and remove key.
10. Do not run the engine (motor) indoors, except when starting the engine (motor) and for transporting the snow thrower in or out of the building. Open the outside doors; exhaust fumes are dangerous (containing CARBON MONOXIDE, an ODORLESS and DEADLY GAS).
11. Do not clear snow across the face of slopes. Exercise extreme caution when changing direction on slopes. Do not attempt to clear steep slopes.
12. Never operate the snow thrower without proper guards, plates or other safety protective devices in place.

13. Never operate the snow thrower near enclosures, automobiles, window wells, drop-offs, and the like without proper adjustment of the snow discharge angle. Keep children and pets away.
14. Do not overload the machine capacity by attempting to clear snow at too fast a rate.
15. Never operate the machine at high transport speeds on slippery surfaces. Look behind and use care when backing up.
16. Never direct discharge at bystanders or allow anyone in front of the unit.
17. Disengage power to the collector/impeller when snow thrower is transported or not in use.
18. Use only attachments and accessories approved by the manufacturer of the snow thrower (such as tire chains, electric start kits, ect.).
19. Never operate the snow thrower without good visibility or light. Always be sure of your footing and keep a firm hold on the handles. Walk; never run.
20. Do not over-reach. Keep proper footing and balance at all times.
21. Do not attempt to use snow thrower on a roof.
2. Never store the snow thrower with fuel in the tank inside a building where ignition sources are present such as hot water and space heaters, clothes dryers, and the like. Allow the engine (motor) to cool before storing in any enclosure.
3. Always refer to operator's guide instructions for important details if the snow thrower is to be stored for an extended period.
4. Maintain or replace safety and instruction labels, as necessary.
5. Run the snow thrower a few minutes after throwing snow to prevent freeze-up of the auger/impeller.



**WARNING: This snow thrower is for use on sidewalks, driveways and other ground level surfaces.**

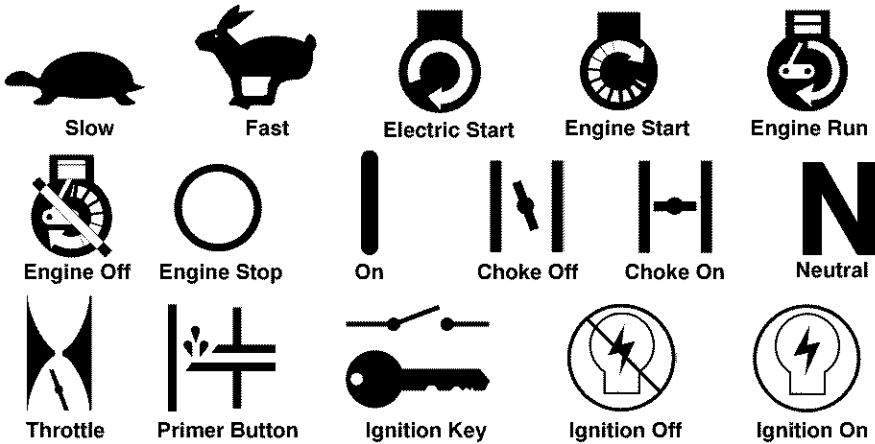
**Caution should be exercised while using on steep sloping surfaces. DO NOT USE SNOW THROWER ON SURFACES ABOVE GROUND LEVEL such as roofs of residences, garages, porches or other such structures or buildings.**

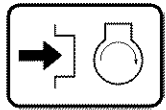
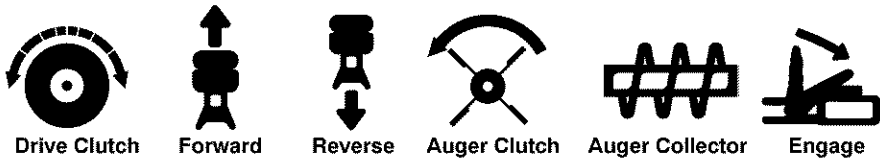
## MAINTENANCE AND STORAGE

1. Check shear bolts and other bolts at frequent intervals for proper tightness to be sure the equipment is in safe working condition.

**IMPORTANT:** Many of the following symbols are located on your unit or on literature supplied with the product. Before you operate the unit, learn and understand the purpose for each symbol.

## CONTROL AND OPERATING SYMBOLS





Push To Engage Electric Starter



Fuel



Oil



Fuel Oil Mixture



Discharge DOWN



Discharge UP



Discharge LEFT



Discharge RIGHT



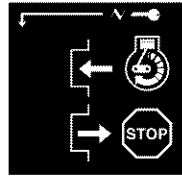
Weight Transfer Lift Handle To Engage



Weight Transfer Depress Pedal To Disengage



Transmission

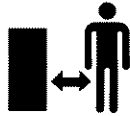


Ignition Key Insert To Run, Pull Out To Stop.

### Safety Warning Symbols



**DANGER**  
Thrown Objects.  
Keep Bystanders Away.



**DANGER**  
Thrown Objects.  
Keep Bystanders Away.



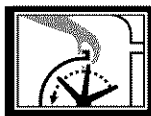
**WARNING**



**IMPORTANT**  
Read Owner's Manual  
Before Operating  
This Machine.



**DANGER**  
Avoid Injury From  
Rotating Auger. Keep  
Hands, Feet And  
Clothing Away.



**DANGER**  
Stop The Engine  
Before Unclogging  
Discharge Chute!



**WARNING**  
Hot Surface



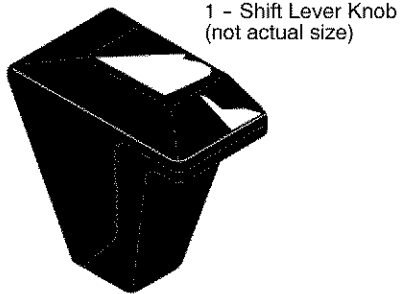
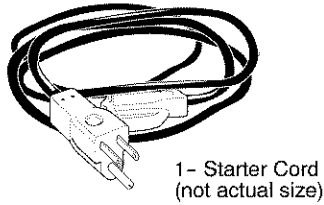
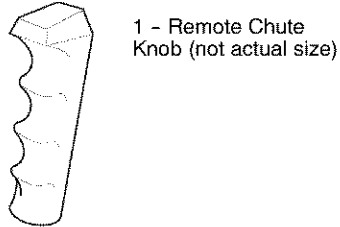
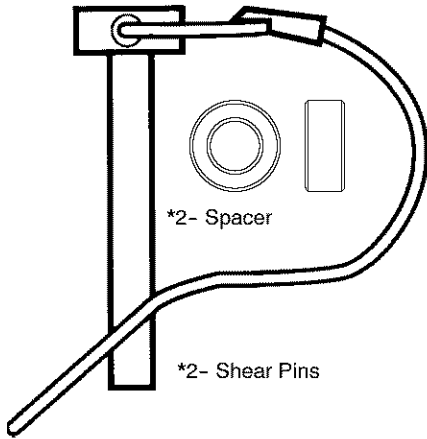
**STOP**

# ASSEMBLY

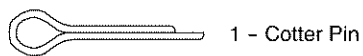
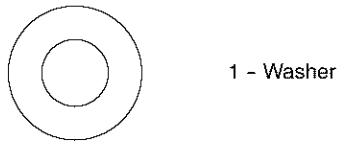
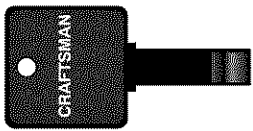
## CONTENTS OF PARTS BAG (ACTUAL SIZE)

- 1 - Owner's Manual (not shown)
- 1 - Packet of Fuel Stabilizer (not shown)
- 1 - Warranty Card (not shown)

\*Non-Assembly Parts, found in toolbox located on belt cover



## PARTS PACKED SEPARATELY IN CARTON (NOT SHOWN FULL SIZE)



## ASSEMBLY



**WARNING:** Always wear safety glasses or eye shields while assembling snow thrower.

### TOOLS REQUIRED FOR ASSEMBLY

- 1 - Knife to cut carton
- 2 - 1/2 inch wrenches (or adjustable wrenches)
- 2 - 9/16 inch wrenches (or adjustable wrenches)
- 2 - 3/4 inch wrenches (or adjustable wrenches)
- 1 - Pliers (to spread cotter pin)
- 1 - Screwdriver
- 1 - Measuring tape or ruler

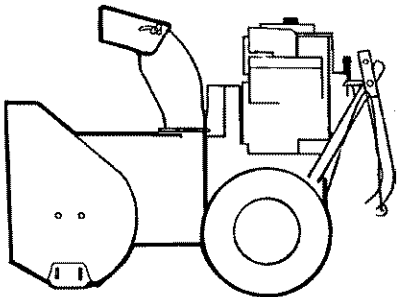


Figure 1

Figure 1 shows the snow thrower in the shipping position.

Figure 2 shows the snow thrower completely assembled.

References to the right or left hand side of the snow thrower are from the viewpoint of the operator's position behind the unit.

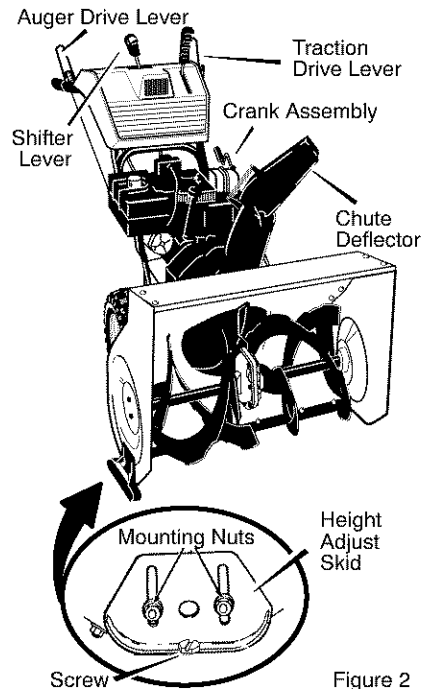


Figure 2

### TO REMOVE SNOW THROWER FROM CARTON

1. Locate all parts packed separately and remove from the carton.  
**NOTE:** Place fuel stabilizer in a safe place until needed for storage.
2. Remove and discard the packing material from around the snow thrower.
3. Cut down all four corners of the carton and lay the panels flat.
4. For shipping purposes, the **height adjust skids** are attached to the pallet. Remove the **screw** that secures each **height adjust skid** to the pallet. See Figure 2.
5. Roll snow thrower off the pallet by pulling on the lower handle.  
**CAUTION: DO NOT** back over cables.
6. Remove all packing material from the unit.
7. Cut ties securing the clutch control cables to the lower handle and lay cable back away from the motor frame.

## ASSEMBLY

### TO ASSEMBLE THE HANDLE AND CRANK ASSEMBLY

1. Cut tie holding shift rod to lower handle and move shifter to the first forward gear.
2. Cut and discard the plastic tie that secures the crank assembly.
3. Loosen, but do not remove, the screws, flatwashers, lockwashers, and hex nuts in the upper holes of the lower handle. See Figure 3.
4. Remove the fasteners and the eye bolt from the lower holes of the lower handle. See Figure 5.

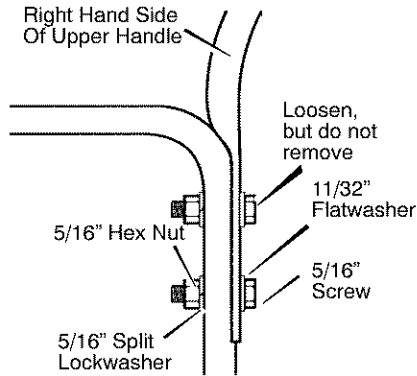


Figure 3

**NOTE:** Make sure the cables are not caught between the upper and lower handle.

5. Raise the upper handle into operating position.

**NOTE:** If the cables have become disconnected from the drive levers, reinstall the cables as shown in Figure 4.

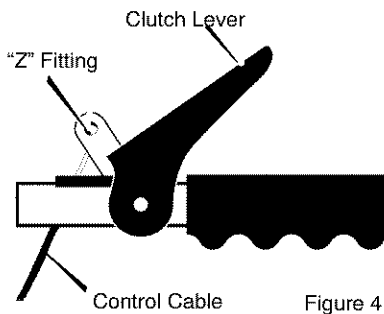


Figure 4

F-011047L

6. Install the fasteners that were removed in step 4. **DO NOT** tighten until all bolts are in place.

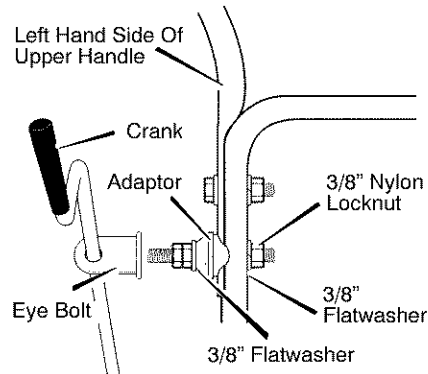


Figure 5

7. Attach the crank rod to the universal joint assembly with the hair pin. See Figure 6.
8. Tighten nut on **eye bolt**. Make sure **eye bolt** is properly aligned and the **crank** can freely rotate.
9. Tighten all handle bolts.

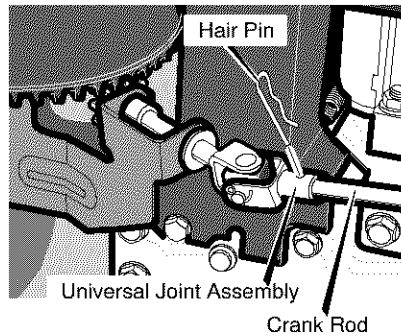
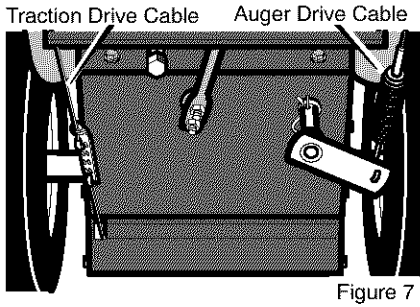


Figure 6

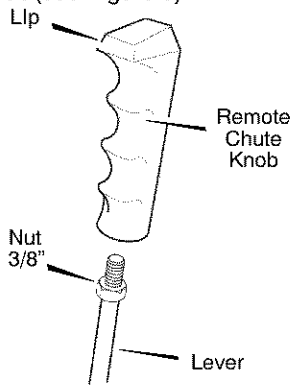


**NOTE:** If the cables have become disconnected, connect cables as shown in Figure 7.



## How To Install The Knobs Remote Chute Knob

1. Assemble the **remote chute knob** onto the **lever** until snug against the **nut** (see Figure 8).



2. Make sure **lip** on the **remote chute knob** is pointed toward the engine.
3. Tighten the **nut** against the bottom of the **remote chute knob**.

## Speed Select Knob

Install the **speed select knob** to the **speed select lever**. See Figure 9.

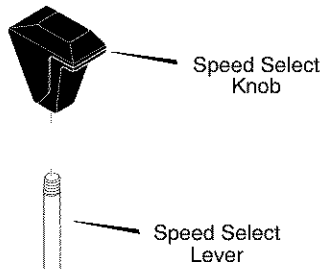


Figure 9

## ASSEMBLY

### How To Install The Speed Control Rod

1. Put the **speed select lever** into the sixth gear position.
2. Attach the **speed control rod (end with 90° bend)** to the **speed select bracket** with **washer** and **cotter pin**. See Figure 10.
3. Put the **speed select lever** into the first gear position.
4. Attach the **ball joint**, located on the bottom end of the **speed control rod**, to the **shift yoke assembly**. See Figure 11. The **fasteners** are attached to the **ball joint** at the factory.
5. The length of the **ball joint** and **speed control rod** have been pre-adjusted at the factory. If an adjustment is required, loosen the **nut**. Remove the **fasteners** to disconnect the **ball joint** from the **shift yoke assembly**. To lengthen or shorten the **speed control rod**, turn the **adapter** to obtain the correct length.
6. Make sure the **speed select lever** functions correctly. Move the **speed select lever** through all speeds.

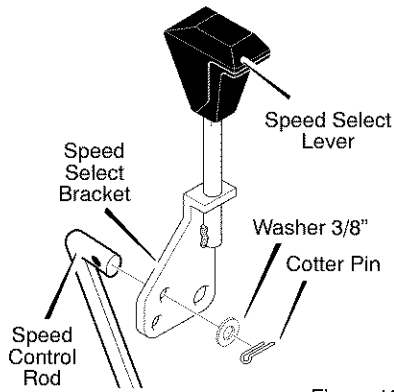


Figure 10

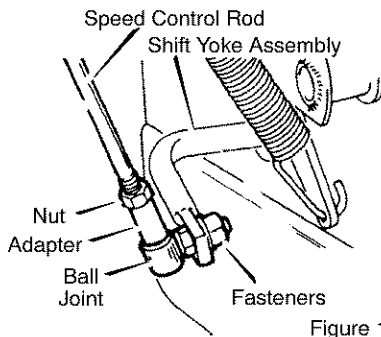


Figure 11

### How To Assemble The Chute Deflector

1. Remove the **carriage bolt**. See Figure 12.
2. Raise the **chute deflector** into **operating position**.
3. Fasten **chute deflector** to **flange** with **carriage bolt**. Make sure to install with head of **carriage bolt** on the inside of the **flange**.
4. Fasten with **washer** and **locknut**.
5. Tighten **locknut** securely. **NOTE: Make sure all carriage bolts in flange are tight. DO NOT OVERTIGHTEN.**
6. Cut **tie strap** on **chute deflector**.

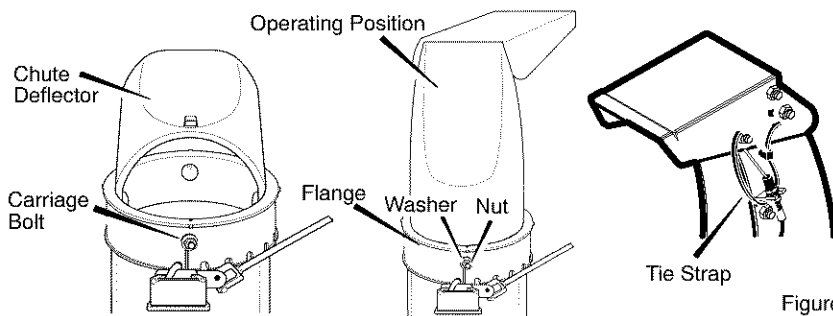


Figure 12

## ASSEMBLY

### How To Set The Skid Height

The snow thrower is equipped with **height adjustable skids** mounted on the outside of the auger housing. See Figure 13. To adjust the height of the skids, see "How To Adjust The Height Of The Skids" in the Maintenance section.

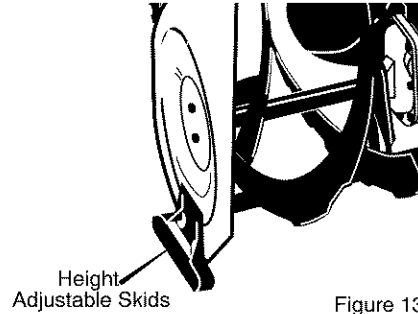


Figure 13

### How To Set The Length Of The Cables

The cables were adjusted at the factory and no adjustments should be necessary. However, after the handles are put in the operating position, the cables can be too tight or too loose. If an adjustment is necessary, see "How To Check And Adjust The Cables" in the Service And Adjustment section.

### ✓ CHECKLIST

Before you operate your new snow thrower, to ensure that you receive the best performance and satisfaction from this quality product, please review the following checklist:

- ✓ All assembly instructions have been completed.
- ✓ The discharge chute rotates freely.
- ✓ No remaining loose parts in carton.

While learning how to use your snow thrower, pay extra attention to the following important items:

- ✓ Engine oil is at proper level.
- ✓ Make sure gas tank is filled properly with clean, fresh, unleaded gasoline.
- ✓ Become familiar with all controls—their location and function. Operate controls before starting engine.

## OPERATION

### KNOW YOUR SNOW THROWER

READ THIS OWNER'S MANUAL AND SAFETY RULES BEFORE OPERATING YOUR SNOW THROWER. Compare the illustrations with your SNOW THROWER to familiarize yourself with the location of various controls and adjustments. Save this manual for future reference.

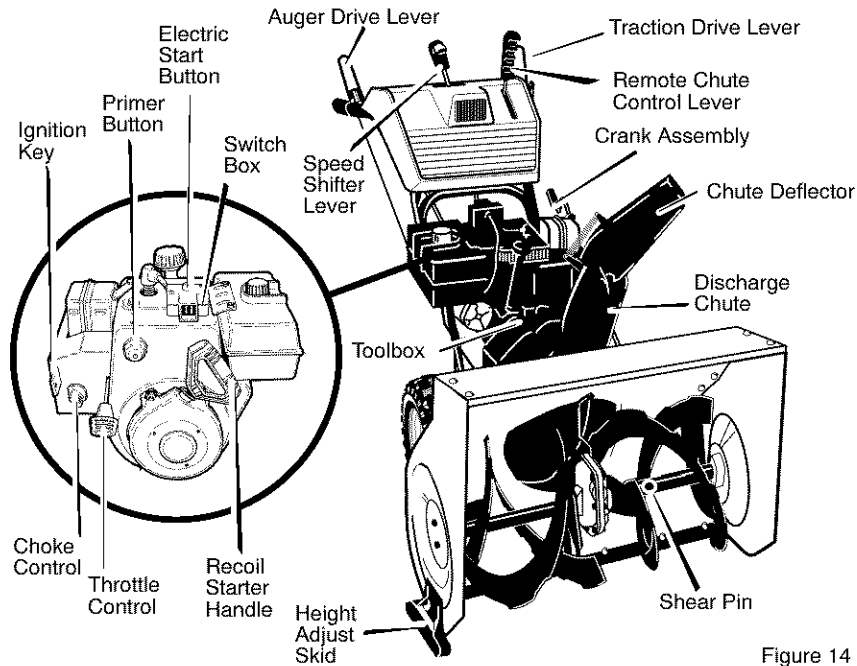


Figure 14

**Auger Drive Lever** - Starts and stops the auger and impeller (**snow gathering and throwing**)

**Traction Drive Lever** - Propels the snow thrower forward and in reverse.

**Speed Shifter Lever** - Selects the speed of the snow thrower (6 speeds forward and 2 speeds reverse).

**Crank Assembly** - Changes the direction of snow throwing through the discharge chute.

**Chute Deflector** - Changes the distance the snow is thrown.

**Discharge Chute** - Changes the height and direction the snow is thrown.

**Height Adjust Skid** - Adjusts the ground clearance of the auger housing.

**Ignition Key** - Must be inserted to start the engine.

**Recoil Starter Handle** - Starts the engine manually.

F-011047L

**Choke Control** - Used to start a cold engine.

**Primer Button** - Injects fuel directly into the carburetor manifold for fast starts in cold weather.

**Remote Chute Control Lever** - Push forward to discharge snow high and far. Pull remote lever back to discharge snow down.

**Throttle Control** - Controls the engine speed.

**Electric Start Button** - (if so equipped) Used to start the engine using the 120 V electric starter.

**Shear Pin** - Shear pins are designed to break (to protect the machine) if an object becomes lodged in the auger housing.

**Toolbox** - Spare shear pins and spacers are located in toolbox.

## OPERATION

The operation of any snow thrower can result in foreign objects being thrown into the eyes, which can result in severe eye damage. Always wear safety glasses or eye shields while operating the snow thrower.

We recommend standard safety glasses or a wide vision safety mask for over your glasses.



**WARNING: Read Owner's Manual before operating machine. Never direct discharge toward bystanders. Stop the engine before unclogging discharge chute or auger housing and before leaving the machine.**

### TO STOP YOUR SNOW THROWER

1. To stop throwing snow, release the **auger drive lever**. See Figure 15.
2. To stop the wheels, release the **traction drive lever**.
3. To stop the engine, push the **throttle control lever** to off and pull out the **ignition key**.

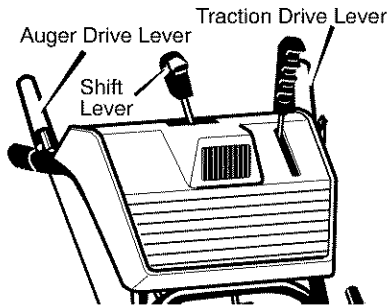


Figure 15

### TO CONTROL SNOW DISCHARGE

1. Turn the **crank assembly** to set the direction of the snow throwing. See Figure 16.
2. Push the **remote chute lever** forward to discharge the snow high

and far. Pull the **remote chute lever** back to discharge the snow down.

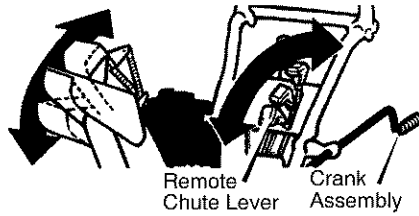


Figure 16

### HOW TO MOVE FORWARD AND BACKWARD

1. To shift, release the traction drive lever (**left hand**) and move the speed shift lever to the speed you desire. See Figure 15. Ground speed is determined by snow conditions. Select the speed you desire by moving the speed shifter lever left into the appropriate notches on the shift lever plate:  
Speeds 1,2 - Wet, Heavy  
Speed 3 - Light  
Speed 4 - Very Light  
Speed 5,6 - Transport only
2. Engage the traction drive lever (**left hand**). As the snow thrower starts to move, maintain a firm hold on the handles, and guide the snow thrower along the clearing path. Do not attempt to push the snow thrower.
3. To move the snow thrower backward, move the speed shifter lever right into first or second reverse and engage the traction drive lever (**left hand**).

**IMPORTANT: Do not move the speed shifter lever while the traction lever is down.**

### TO THROW SNOW

1. Push down the auger driver lever (**right hand**). See Figure 15.
2. Release to stop throwing snow.

## OPERATION

### HOW TO USE THE WHEEL LOCKOUT

The left wheel is secured to the axle with a lockout pin. See Figure 17. The unit was shipped with the lockout pin in the locked position. For ease of maneuverability in light snow conditions, disconnect the lockout pin as follows.

1. Pull the **knob** out to disengage the lockout pin.
2. To lock in the disengaged position, turn the **knob** 1/4 turn (90 degrees).

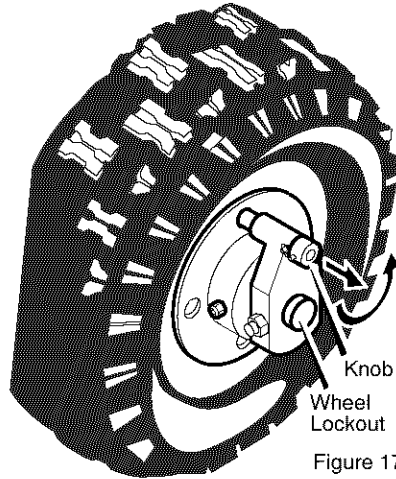


Figure 17

### BEFORE STARTING THE ENGINE

1. Before you service or start the engine, familiarize yourself with the snow thrower. Be sure you understand the function and location of all controls.
2. Check the tension of clutch cable before starting the engine. See **To Adjust The Control Cable** paragraph in the **Service & Adjustments** section of this manual.
3. Be sure that all fasteners are tight.
4. Make sure the height adjust skids are properly adjusted. See **To Adjust Skid Height** paragraph in the **Service & Adjustments** section of this manual.
5. Check tire pressure (**14-17 pounds**). Do not exceed maximum amount of pressure.

### CHECK THE OIL:

**NOTE:** The engine was shipped from the factory filled with oil. Check the level of the oil. Add oil as needed.

1. Make sure the unit is level.

**NOTE:** Do not check the level of the oil while the engine runs.

F-011047L

2. Remove the oil fill cap/dipstick. Check the oil.
3. If necessary, add oil until the oil reaches the FULL mark on the oil fill cap/dipstick (see Figure 18). Do not add too much oil.

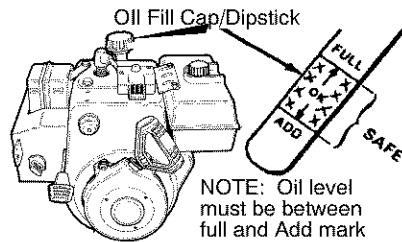


Figure 18

4. Tighten the fill cap/dipstick securely each time you check the oil level.

**NOTE:** For extreme cold operating conditions of 0°F and below, use a partial synthetic 0W30 motor oil for easier starting.

**NOTE:** S.A.E. 5W30 motor oil may be used to make starting easier in areas where temperature is consistently 20°F. or lower.

### FILL GAS:

**NOTICE:** ENGINES WHICH ARE CERTIFIED TO COMPLY WITH CAL-

## OPERATION

### IFORNIA AND US EPA EMISSION REGULATIONS FOR ULGE ENGINES:

Are certified to operate on regular unleaded gasoline. Include the following emission control system(s): EM, TWC (if so equipped). Include any user adjustable features—therefore no other adjustments are needed.



**WARNING:** Experiences indicate that alcohol blended fuels (called gasohol or those using ethanol or methanol) can attract moisture which leads to separation and formation of acids during storage. Acidic gas can damage the fuel system of an engine while in storage.

**NOTE:** To avoid engine problems, the fuel system must be emptied before storage for 30 days or longer. Start the engine and let it run until the fuel lines and carburetor are empty. Use the carburetor bowl drain to empty residual gasoline from the float chamber. Use fresh fuel next season. See the Storage section in this manual for additional information.

Never use engine or carburetor cleaner products in the fuel tank or permanent damage may occur.

1. Fill the fuel tank only with a fresh, clean, unleaded regular, unleaded

premium, or reformulated automotive gasoline. **DO NOT** use leaded gasoline. Make sure that the container you pour the gasoline from is clean and free from rust or other foreign particles. Never use gasoline that may be stale from long periods of storage in the container.



**WARNING:** Gasoline is flammable. Always use caution when handling or storing gasoline.

Do not fill fuel tank while snow thrower is running, when it is hot, or when snow thrower is in an enclosed area.

Keep away from open flame or an electrical spark and do not smoke while filling the fuel tank.

Never fill the tank completely. Fill the tank to within 1/4" - 1/2" from the top to provide space for expansion of fuel.

Always fill fuel tank outdoors and use a funnel or spout to prevent spilling.

Make sure to wipe up any spilled fuel before starting the engine.

Store gasoline in a clean, approved container and keep the cap in place on the container.

---

### TO STOP ENGINE

To stop engine, move the throttle control lever to "STOP" position and remove key. Keep the key in a safe place. The engine will not start without the key.

## OPERATION

### TO START ENGINE

#### (ELECTRIC STARTER, IF EQUIPPED)

Be sure that the engine has sufficient oil. The snow thrower engine is equipped with a 120 volt A.C. electric starter and recoil starter. Before starting the engine, be certain that you have read the following information.



**WARNING:** The starter is equipped with a three-wire power cord and plug and is designed to operate on 120 volt AC household current. It must be properly grounded at all times to avoid the possibility of electrical shock which may be injurious to operator. Follow all instructions carefully as set forth in the "To Start Engine" section. Determine that your house wiring is a three-wire grounded system. Ask a licensed electrician if you are not sure. If your house wire system is not a three-wire system, do not use this electric starter under any conditions. If your system is grounded and a three-hole receptacle is not available at the point your starter will normally be used, one should be installed by a licensed electrician. When connecting 120 volt AC "Power Cord", always connect the cord to the Switch Box" on the engine first, then plug the other end into the three-hole grounded receptacle. When disconnecting "Power cord", always unplug the end in the three-hole grounded receptacle first.

#### COLD START

1. Be sure auger drive and traction drive levers are in the disengaged (RELEASED) position.
2. Move throttle control to "FAST" position.
3. Remove the keys from the plastic bag. Insert one key into ignition slot. Make sure it snaps into place.

F-011047L

**Do not turn key.** Keep the second key in a safe place.

4. Rotate choke knob clockwise to the choke ON position.
5. Connect the power cord to the **switch box** on the engine.
6. Plug other end of power cord into a three-hole, grounded 120 VOLT, AC receptacle. (See WARNING in this section).
7. Push the **primer button** while covering the vent hole as follows: Remove finger from primer button between primes.  
Do not prime if temperature above 50° F (10° C).  
Push two time if temperature is 50° F (10° C) to 15°F (-10° C).  
Push four times if temperature is below 15° F (-10° C).
8. Push down on the **starter button** until the engine starts. Do not crank for more than 10 seconds at a time. This electric starter is thermally protected. If overheated it will stop automatically and can be restarted only when it has cooled to a safe temperature (a wait of about 5 to 10 minutes is required).
9. When the engine starts, release the **starter button** and move **choke lever** to "1/2 choke" position. When engine runs smoothly, move **choke lever** to "No Choke" Position.
10. Disconnect power cord from receptacle, first, and then from **switch box**.

**NOTE:** Allow the engine to warm up for several minutes before blowing snow in temperatures below 0°F.

11. Run engine at full throttle "FAST" when throwing snow.

#### WARM START

If restarting a warm engine after a short shutdown, leave choke at "OFF" and do not push the primer button. If the engine fails to start, follow the Cold Start instructions.



## OPERATION

### TO START ENGINE

#### (RECOIL STARTER)

Be sure that the engine has sufficient oil. The snow thrower engine is equipped with a recoil starter. Before starting the engine, be certain that you have read the following information.

#### COLD START

1. Be sure auger drive and traction drive levers are in the disengaged (**RELEASED**) position.
2. Move throttle control to "**FAST**" position.
3. Remove the keys from the plastic bag. Insert one key into ignition slot. Make sure it snaps into place. **Do not turn key.** Keep the second key in a safe place.
4. Rotate choke knob clockwise to the choke ON position.
5. Push the **primer button** while covering the vent hole as follows: Remove finger from primer button between primes.  
Do not prime if temperature above 50° F (10° C).  
Push two times if temperature is 50° F (10° C) to 15°F (-10° C).  
Push four times if temperature is below 15° F (-10° C).
6. Pull the **starter handle** rapidly. Do not allow the handle to snap back, but allow it to rewind slowly while keeping a firm hold on the **starter handle**.
7. As the engine warms up, move **choke lever** to "1/2 choke" position. When engine runs smoothly, move **choke lever** to "No Choke" Position.

**NOTE: Allow the engine to warm up for several minutes before blowing snow in temperatures below 0°F.**

8. Run engine at full throttle "**FAST**" when throwing snow.

F-011047L

### WARM START

If restarting a warm engine after a short shutdown, leave choke at "**OFF**" and do not push the primer button. If the engine fails to start, follow the Cold Start instructions.

#### FROZEN STARTER

If the starter is frozen and will not turn engine:

1. Pull as much rope out of the starter as possible.
2. Release the starter handle and let it snap back against the starter.

If the engine still fails to start, repeat the two previous steps until the engine starts. Then continue with the directions for cold start.

To help prevent possible freeze-up of recoil starter and engine controls, proceed as follows after each snow removal job.

1. With the engine running, pull the starter rope hard with a continuous full arm stroke three or four times. Pulling of starter rope will produce a loud clattering sound. This is not harmful to the engine or starter.
2. With the engine not running, wipe all snow and moisture from the carburetor cover in area of control levers. Also move throttle control, choke control, and starter handle several times.



**WARNING: Never run engine indoors or in enclosed, poorly ventilated areas. Engine exhaust contains CARBON MONOXIDE, AN ODORLESS AND DEADLY GAS. Keep hands, feet, hair and loose clothing away from any moving parts on engine and snow thrower.**

**The temperature of muffler and nearby areas may exceed 150°F. Avoid these areas.**

**DO NOT allow children or young teenagers to operate or be near snow thrower while it is operating.**

## OPERATION



**WARNING:** Do not attempt to remove any item that may become lodged in auger

without taking the following precautions:

- Release auger drive lever.
- Move throttle lever to stop position.
- Remove (do not turn) ignition key.
- Disconnect spark plug wire.
- Do not place your hands in the auger or discharge chute. Use a pry bar.

### SNOW THROWING TIPS

1. For maximum snow thrower efficiency in removing snow, adjust ground speed, NEVER the throttle. Go slower in deep, freezing or wet snow. If the wheels slip, reduce forward speed. The engine is designed to deliver maximum performance at full throttle and should be run at this power setting at all times.
2. Most efficient snow throwing is accomplished when the snow is removed immediately after it falls.
3. For complete snow removal, slightly overlap each path previously taken.
4. The snow should be discharged down wind whenever possible.
5. For normal usage, set the skids so that the scraper bar is 1/8" above the skids. For extremely hard-packed snow surfaces, adjust the skids upward so that the scraper bar touches the ground.
6. On gravel or crushed rock surfaces, set the skids at 1-1/4" below the scraper bar. See **To Adjust Skid Height** paragraph in the **Service & Adjustments** section of this manual. Rocks and gravel must not be picked up and thrown by the machine.
7. After the snow throwing job has been completed, allow the engine to idle for a few minutes, which will melt snow and accumulated ice off the engine.
8. Clean the snow thrower thoroughly after each use.
9. Remove ice and snow accumulation and all debris from the entire snow thrower, and flush with water (if possible) to remove all salt or other chemicals. Wipe snow thrower dry.

# MAINTENANCE

## CUSTOMER RESPONSIBILITIES

SERVICE RECORDS Fill in dates as you complete regular service.	Before Each Use	Often	Every 5 Hours	Every 10 Hours	Every 25 Hours	Each Season	Before Storage	SERVICE DATES
Check Engine Oil Level	√		√			√		
Change Engine Oil					√	√		
Tighten All Screws and Nuts	√	√						
Check Spark Plug					√	√		
Lubricate All Pivot Points				√			√	
Check Fuel	√							
Drain Fuel							√	
Check Cable Adjustment (See Cable Adjustment)						√		
Adjust Drive Belt	√				√	√		
Lubricate Auger Shaft (See Shear Bolt Replacement)				√			√	

### GENERAL RECOMMENDATIONS

The warranty on this snow thrower does not cover items that have been subjected to operator abuse or negligence. To receive full value from the warranty, the operator must maintain the snow thrower as instructed in this manual.

Some adjustments will need to be made periodically to properly maintain your snow thrower.

All adjustments in the **Service and Adjustments** section of this manual

should be checked at least once each season.

### AFTER EACH USE

- Check for any loose or damaged parts.
- Tighten any loose fasteners.
- Check and maintain the auger.
- Check controls to make sure they are functioning properly.
- If any parts are worn or damaged, replace immediately.

# MAINTENANCE

## PRODUCT SPECIFICATIONS

HORSEPOWER	11 HP
DISPLACEMENT	21.82 cu. in.
GASOLINE CAPACITY	4 quarts (unleaded)
OIL CAPACITY (20 oz capacity)	5W30
SPARK PLUG:	Champion RJ19LM (Gap .030 in.) or equivalent
VALVE CLEARANCE:	Intake: .010 In. Exhaust: .010 In.

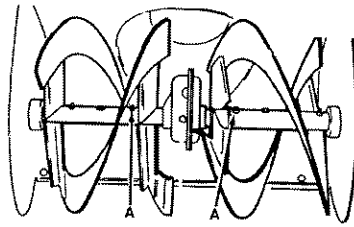


Figure 19

## SNOW THROWER

### AS REQUIRED

The following adjustment should be performed more than once each season.

1. Auger drive belt should be adjusted after the first 2 to 4 hours of use, again about mid-season and twice each season thereafter (**See to Adjust Belts paragraph in the Service and Adjustment section**).

### LUBRICATION - EVERY 10 HOURS

1. **Auger Shaft** - Using a hand grease gun, lubricate the auger shaft zerk fittings (**A**) every ten (**10**) operating hours. Each time a shear bolt is replaced, the auger shaft **MUST** be greased. See Figure 19. See **To Replace Auger Shear Bolt** in the **Service and Adjustment** section.

### CHAIN LUBRICATION EVERY 25 HOURS

1. Position speed selector lever in first (1) forward gear.
2. Stand the snow blower up on the auger housing end.

**NOTE: When the crank case is filled with oil, do not leave the snow blower standing up on the auger housing for an extended period of time.**

3. Remove the bottom panel.
4. Lubricate the **chains** with a chain type lubricant.
5. For storage, wipe the **hexshaft and sprockets** with 5W30 motor oil.

**NOTE: Clean all excess grease or oil found on the rubber friction wheel or the disc drive plate.**

**CAUTION: Do not allow grease or oil to contact the rubber friction wheel or the disc drive plate.**

6. Install the bottom panel.

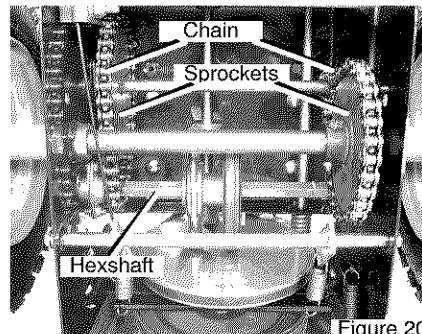


Figure 20

## MAINTENANCE

### AUGER GEAR BOX

The auger gear box is lubricated at the factory and should not require additional lubrication. If for some reason the lubricant should leak out, have auger gear case checked by a competent repairman.

### ENGINE

#### LUBRICATION

Check the crankcase oil level before starting the engine and after each five (5) hours of continuous use. See Figure 21. Add S.A.E. 5W30 motor oil as needed. Tighten fill cap/dipstick securely each time you check the oil level.

Oil Fill Cap/Dipstick

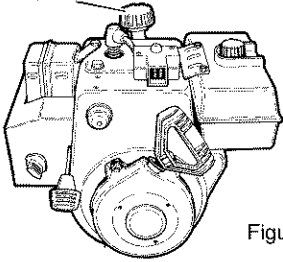


Figure 21

Change the oil every twenty-five (25) hours or at least once a year if the snow thrower is not used for twenty-five (25) hours.

#### TO CHANGE ENGINE OIL

1. Position the snow thrower so that the oil drain plug is at the lowest point on the engine.

2. Remove the oil drain plug and the **oil fill cap/dipstick**. Drain the oil into a suitable container.  
**NOTE:** The oil will drain more freely when the engine is warm.
3. After draining all the oil, reinstall the oil drain plug securely.
4. Fill the engine crankcase with S.A.E. 5W30 motor oil, pouring slowly. **DO NOT OVERFILL.**

#### SPARK PLUG

Check the **spark plug** every twenty-five (25) hours. Replace the **spark plug** if the electrodes are pitted or burned or if the porcelain is cracked.

1. Make sure the **spark plug** is clean. Clean the **spark plug** by carefully scraping the electrodes (**do not sand blast or use a wire brush**).
2. Check the **spark plug** gap with a **feeler gauge** and reset gap to 0.30" if necessary. See Figure 22.
3. Before installing the **spark plug**, coat the threads lightly with oil for easy removal. Tighten the spark plug to a torque of 15 foot-pounds.

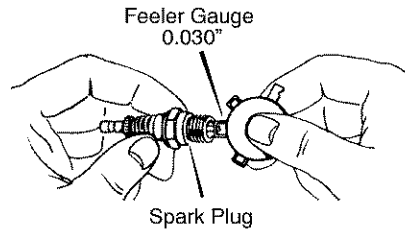


Figure 22

## SERVICE AND ADJUSTMENT



**WARNING:** Always disconnect the spark plug wire and place it where it cannot make contact with spark plug to prevent accidental starting when making any adjustments or repairs.

### TO ADJUST SKID HEIGHT

This snow thrower is equipped with two height adjustment skids, located on the outside of the auger housing. See Figure 23.

These skids elevate the front of the snow thrower.

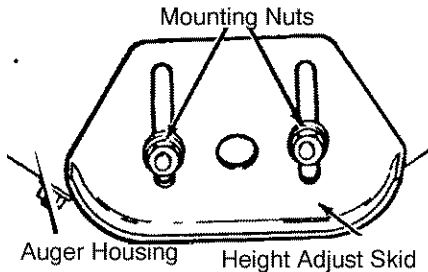


Figure 23

For normal hard surfaces, such as a paved driveway or walk, adjust the skids as follows.

1. Position the snow thrower on a level surface.
2. Make sure both tires are equally inflated. Proper tire pressure is 14 to 17 PSI. See side of tire for maximum inflation. Do not exceed sidewall maximum pressure on tire.
3. Place the extra shear bolts supplied (**found in parts bag**) under each end of the scraper bar next to the adjustable skids.
4. Loosen the mounting nuts that hold the adjustable skids. To bring the front of the snow thrower down,

raise the adjustable skids. Tighten the mounting nuts. See Figure 23.

**NOTE:** For rocky or uneven surfaces, raise the front of the snow thrower by moving the skids down.



**WARNING:** Be certain to maintain proper ground clearance for your particular area to be cleared. Objects such as gravel, rocks or other debris, if struck by the impeller, may be thrown with sufficient force to cause personal injury, property damage or damage to the snow thrower.

### TO ADJUST SCRAPER BAR

After considerable use, the metal scraper bar will have a definite wear pattern. The scraper bar in conjunction with the skids should always be adjusted to allow 1/8" between the scraper bar and the sidewalk or area to be cleaned.

1. Position the snow thrower on a level surface.
2. Make sure both tires are equally inflated. Proper tire pressure is 14 to 17 PSI. See side of tire for maximum inflation. Do not exceed sidewall maximum pressure on tire.
3. Loosen the carriage bolts and nuts securing the scraper bar to the auger housing.
4. Adjust the scraper bar to the proper position.
5. Tighten the carriage bolts and nuts, making sure that the scraper bar is parallel with the working surface.
6. For extended operation, the scraper bar may be reversed. If the scraper bar must be replaced due to wear, remove the carriage bolts and nuts and install a new scraper bar.

## SERVICE AND ADJUSTMENT

### BELT ADJUSTMENT

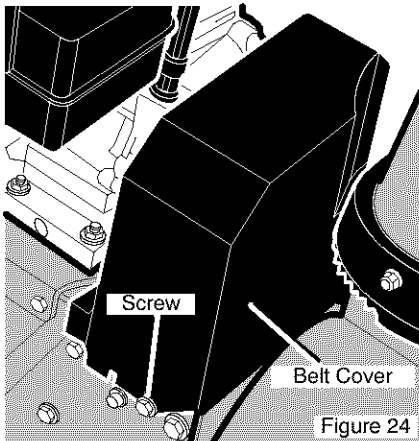
#### Traction Drive Belt

The traction drive belt has constant spring pressure and does not require an adjustment. If the traction drive belt is slipping, replace the belt. See "How To Replace The Belts" in the Maintenance section.

#### Auger Drive Belt

If your snow blower will not discharge snow, check the control cable adjustment. If it is correct, then check the condition of the auger drive belt. If it is damaged or loose, replace it (see Belt Replacement in this section of the manual).

1. Disconnect spark plug wire.
2. Remove **screw** from **belt cover**.  
Remove **belt cover** (see Figure 24).



3. Loosen nut on auger idler pulley and move auger idler pulley towards belt about 1/8 inch (3 mm) (see Figure 27).
4. Tighten nut.

5. Have someone engage auger drive clutch. Check tension on belt (opposite idler pulley). Belt should deflect about 1/2 inch (12.5 mm) with moderate pressure (Figure 25). You may have to move idler pulley more than once to obtain the correct tension.

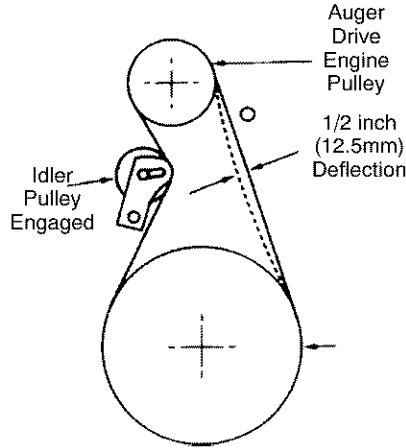


Figure 25

6. Reinstall belt cover.
7. Whenever belts are adjusted or replaced, the cables will need to be adjusted. (See Cable Adjustment in this section of the manual).
8. Attach the spark plug wire.

### HOW TO REPLACE THE BELTS

The drive belts are of special construction and must be replaced with original factory replacement belts available from your nearest authorized service center. Some steps require the assistance of a second person.

#### How To Remove the Auger Drive Belt

If the auger drive belt is damaged, the snow thrower will not discharge snow. Replace the damaged belt as follows.

1. Disconnect the spark plug wire.
2. Loosen the **bolts** on each side of the **bottom panel** (see Figure 26).

## SERVICE AND ADJUSTMENT

### 3. Remove the **bottom panel**.

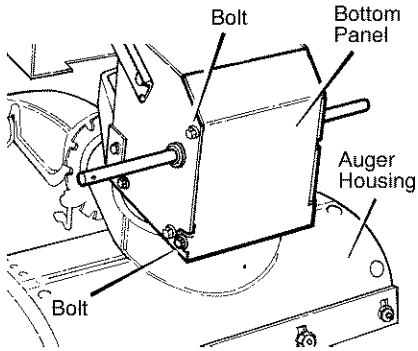


Figure 26

### 4. Remove **screw** from **belt cover**.

Remove the **belt cover** (see Figure 24).

### 5. Loosen the **belt guide**. Pull the **belt guide** away from the **auger drive pulley** (see Figure 27).

### 6. Pull the **idler pulley** away from the **auger drive belt**.

### 7. Remove the old **auger drive belt** from the **auger drive pulley** and

from the **engine pulley**. Replace the **auger drive belt** with an original factory replacement belt available from an authorized service center.

### 8. Install the new **auger drive belt** onto the **auger drive pulley** and onto **pulley**.

### 9. Adjust the **auger drive belt**. See "How To Adjust The Auger Drive Belt" in the Maintenance section.

### 10. Adjust the **belt guide**. See "How To Adjust The Belt Guide" in the Maintenance section.

### 11. Install the **belt cover**. Tighten **screw** (See Figure 24).

### 12. Check the adjustment of the cables. See "How To Check And Adjust The Cables" in the Maintenance section.

### 13. Install the **bottom panel** (see Figure 26).

### 14. Tighten the **bolts** on each side of the **bottom panel**.

### 15. Connect the spark plug wire.

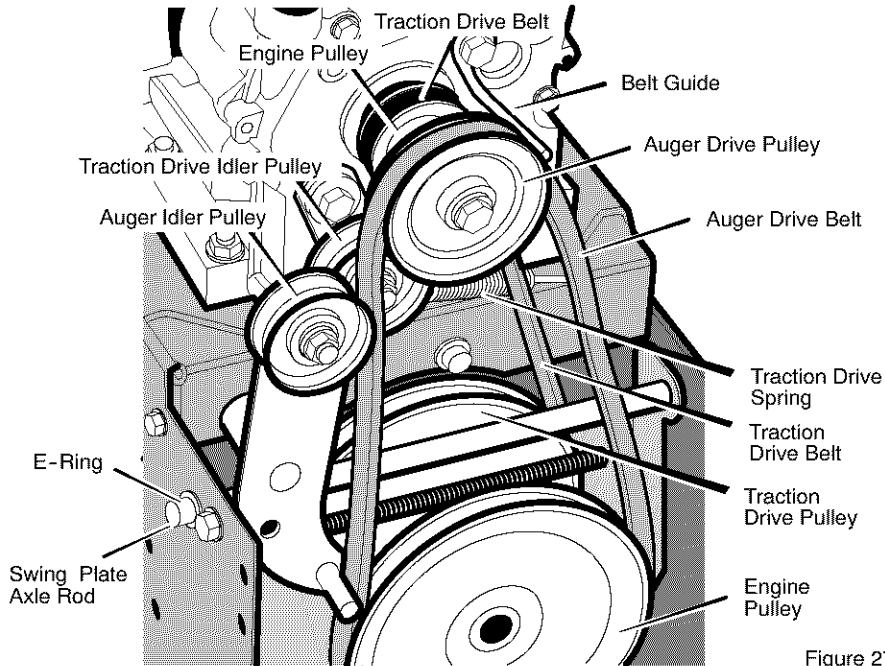


Figure 27



## SERVICE AND ADJUSTMENT

### How To Remove The Traction Drive Belt

If the snow thrower will not move forward, check the traction drive belt for wear or damage. If the traction drive belt is worn or damaged, replace the belt as follows.

1. Disconnect the spark plug wire.
2. Remove the auger drive belt. See "How To Remove The Auger Drive Belt" in the Maintenance section.
3. Remove the **e-ring** from one end of the **swing plate axle rod**. Remove the **swing plate axle rod** to allow the the swing plate to pivot forward (see Figure 27).
4. Remove the **traction drive spring**.
5. Remove the old **traction drive belt** from the **traction drive pulley** and from the **engine pulley**. Replace the **traction drive belt** with an original factory replacement belt available from an authorized service center.
6. Install the new **traction drive belt** onto the **traction drive pulley** and onto **engine pulley**.
7. Make sure the **traction drive idler pulley** is properly aligned with the **traction drive belt**.
8. Attach the **traction drive spring**.
9. Install the **swing plate axle rod** and secure with the **e-ring** removed earlier.
10. The bottom of the **swing plate** must be positioned between the **alignment tabs**. Make sure the **swing**

**plate** is properly secured (see Figure 28).

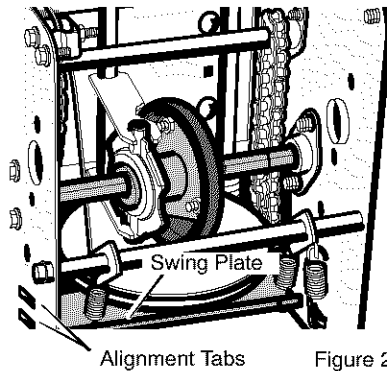


Figure 28

**NOTE: If the drive will not engage after the traction drive belt has been replaced, then check to make sure that the swing plate is positioned between the alignment tabs.**

11. Install and adjust the **auger drive belt**. See "How To Remove The Auger Drive Belt" in the Maintenance section.
12. Adjust the **belt guide**. See "How To Adjust The Belt Guide" in the Maintenance section.
13. Install the **bottom panel** (see Figure 26).
14. Tighten the **bolts** on each side of the **bottom panel**.
15. Install the **belt cover**. Tighten **screw** (see Figure 24).
16. Check the adjustment of the cables. See "How To Check And Adjust The Cables" in the Maintenance section.
17. Connect the spark plug wire.

## SERVICE AND ADJUSTMENT

### BELT GUIDE ADJUSTMENT

1. Remove spark plug wire.
2. Have someone engage auger drive.
3. Measure the distance between the belt guide and belt. The distance should be 1/8 inch (3.175 mm) for guide. See Figure 29.

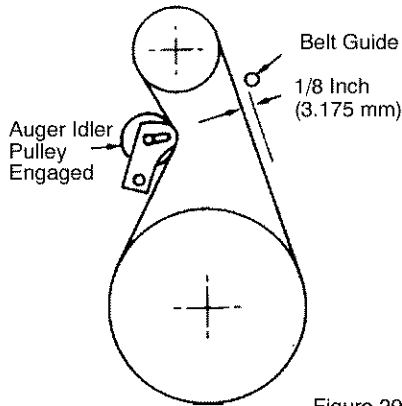


Figure 29

4. If adjustment is necessary, loosen belt guide mounting bolt. Move belt guide to the correct position. Tighten mounting bolt.
5. Reinstall belt cover.
6. Reconnect spark plug wire.

### HOW TO CHECK AND ADJUST THE CABLES

The cables are adjusted at the factory and no adjustment should be necessary. If the cables have become stretched or are sagging adjustment will be necessary.

Whenever belts are adjusted or replaced, the cables will need to be adjusted.

**To check for correct adjustment, unhook "Z" fitting at clutch lever (see Figure 30)**

1. Move clutch lever to the full forward position (just contacting plastic bumper). Holding cable tight, note

position of fitting to hole in clutch lever.

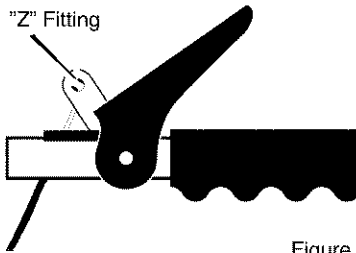


Figure 30

2. The center of the "Z" fitting should be between the centre and top of the hole in the clutch lever. Adjust either the auger drive cable or the traction drive cable as follows.

### Auger Drive Cable Adjustment



**WARNING: Drain the gasoline outdoors, away from fire or flame.**

1. Remove the gas from the gas tank. Stand the snow thrower up on the front end of the auger housing.
2. Push cable through spring to expose the threaded portion of the cable (see Figure 31).

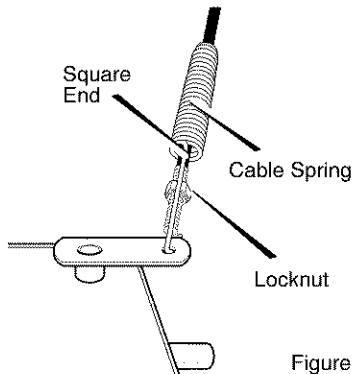


Figure 31

3. Hold square end of threaded portion with pliers and adjust locknut in or out until correct adjustment is reached. Pull cable back through spring and connect cable.

## SERVICE AND ADJUSTMENT

### TRACTION DRIVE CABLE ADJUSTMENT



**WARNING:** Drain the gas-line outdoors, away from fire or flame.

1. Remove the gas from the gas tank. Stand the snow thrower up on the front end of the auger housing.
2. Loosen the **bolts** on each side of the **bottom panel** (see Figure 32).

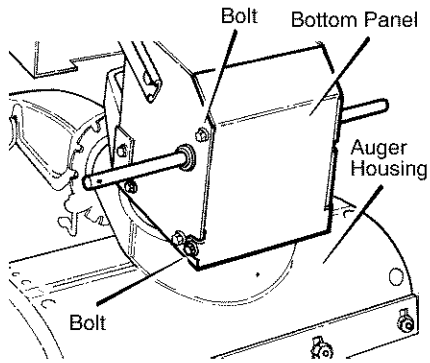


Figure 32

3. Remove the **bottom panel**.
4. Slide the **cable boot** off the **cable adjustment bracket** (see Figure 33).

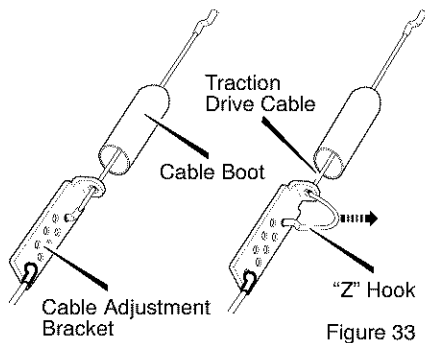


Figure 33

5. Push the bottom of the **traction drive cable** through the **cable adjustment bracket** until the **"Z" hook** can be removed.
6. Remove the **"Z" hook** from the **cable adjustment bracket**. Move the **"Z" hook** down to the next adjustment hole.
7. Pull the **traction drive cable** up through the **cable adjustment bracket**.
8. Put the **cable boot** over the **cable adjustment bracket**.
9. To check the adjustment, depress the drive lever and check the length of the **drive spring**. In correct adjustment, the length of the **drive spring** is  $3.25" \pm 0.125"$  (79.5 mm  $\pm$  3 mm) (see Figure 34).

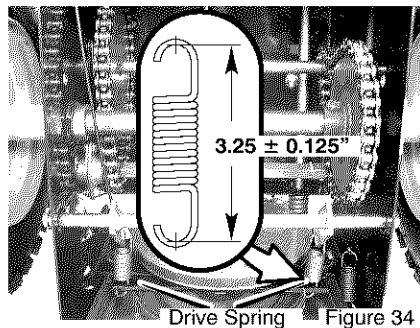


Figure 34

## SERVICE AND ADJUSTMENT

### HOW TO ADJUST OR REPLACE THE FRICTION WHEEL

#### How To Check The Friction Wheel

If the snow thrower will not move forward, check the traction drive belt, the traction drive cable or the friction wheel. If the friction wheel is worn or damaged, it must be replaced. See "How To Replace the Friction Wheel" in this section. If the friction wheel is not worn or damaged, check as follows.

1. Remove the gas from the gas tank. Stand the snow thrower up on the front end of the **auger housing** (see Figure 35).

**WARNING:** Drain the gasoline outdoors, away from fire or flame.

2. Disconnect the spark plug wire.
3. Loosen the **bolts** on each side of the **bottom panel** (see Figure 35).
4. Remove the **bottom panel**.
5. Position the **shift speed lever** in the highest forward speed.
6. Note the position of the **friction wheel**. In the correct position, the **friction wheel** will contact the **snap ring**. If the **friction wheel** is not in the correct position, adjust as follows (see Figure 36).

#### How To Adjust The Friction Wheel

1. Position the **shift speed lever** in the highest forward speed.
2. Loosen hex **jam nut** on **speed select rod**. Remove **ball joint** from **shifter bracket** (see Figure 37).
3. Move the **friction wheel** against the **snap ring** (see Figure 36).
4. Turn the **adaptor** until the **ball joint** is aligned with the mounting hole in the **shifter rod** (see Figure 37).

When aligned, attach the **ball joint** to the **shifter rod**.

5. Tighten the **jam nut**.
6. Install the **bottom panel** (see Figure 35).
7. Tighten the **bolts** on each side of the **bottom panel**.

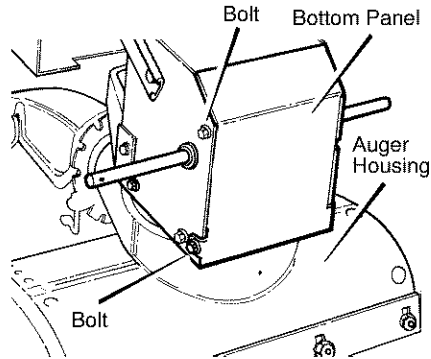


Figure 35

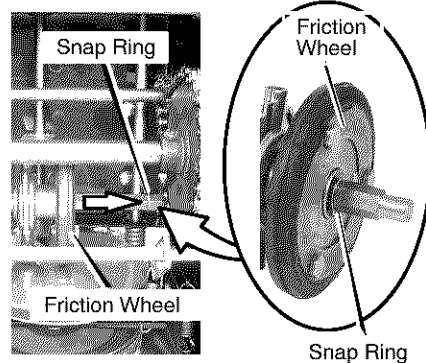


Figure 36

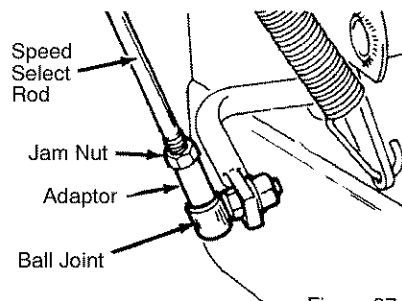


Figure 37

## SERVICE AND ADJUSTMENT

### How To Replace The Friction Wheel

If the friction wheel is worn or damaged, the snow thrower will not move forward. The friction wheel must be replaced as follows.

1. Remove the gas from the gas tank. Stand the snow thrower up on the front end of the **auger housing (4)**. (see Figure 35).

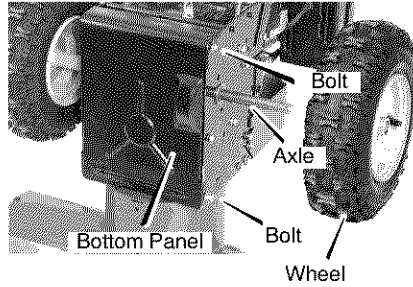
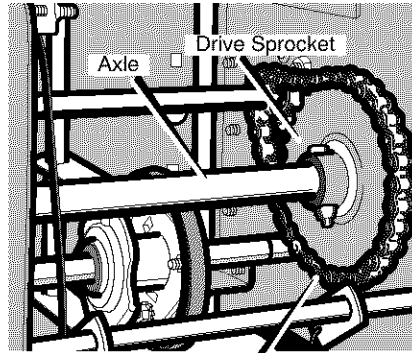


Figure 38

**WARNING:** Drain the gasoline outdoors, away from fire or flame.

2. Disconnect the spark plug wire.
3. Remove the fasteners that secure the right **wheel**. Remove the **right wheel** from the **axle** (see Figure 38).
4. Loosen the **bolts** on each side of the **bottom panel**.
5. Remove the **bottom panel**.
6. Remove the fasteners that secure the **drive sprocket** to the **axle** (see Figure 39).
7. Remove the left wheel, **axle**, and **drive sprocket**.
8. Remove the four **bolts** that hold the **bearings** on each side of the **hex shaft** (see Figure 40).
9. Remove the **hex shaft** and **bearings**.



Chain Figure 39

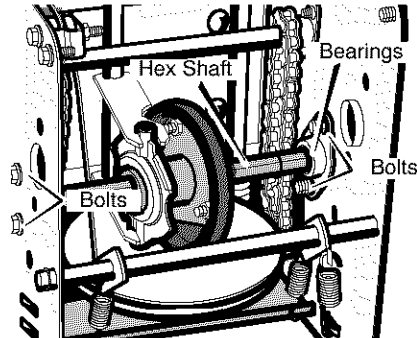
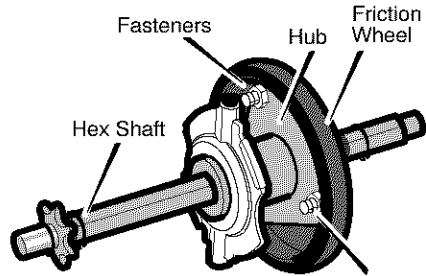


Figure 40

**NOTE:** Take special note of the position of the washers on the hex shaft.

## SERVICE AND ADJUSTMENT

10. Remove the three **fasteners** that hold the **friction wheel** to the **hub** (see Figure 41).
11. Remove the **friction wheel** from the **hub**. Slip the **friction wheel** off the **hex shaft**.
12. Assemble the new **friction wheel** onto **hub** with the fasteners removed earlier.
13. Install the **hex shaft** and **bearings** with the four bolts removed earlier (see Figure 42).  
**Make sure the washers are properly installed in the original position. Also, make sure the two washers are properly aligned with the actuator arms.**
14. Make sure the **hex shaft** turns freely.
15. Install the left wheel, **axle**, and **drive sprocket** with the fasteners removed earlier. Install the **chain** onto the **drive sprocket** (see Figure 39).
16. Check the adjustment of the friction wheel. See "How To Adjust The Friction Wheel" in this section.
17. Make sure the friction wheel and the disc drive plate are free from grease or oil.
18. Install the **bottom panel** (see Figure 38).
19. Tighten the **bolts** on each side of the **bottom panel**.
20. Install the **right wheel** to the **axle** with the fasteners removed earlier.
21. Connect the spark plug wire.



Fasteners  
Figure 41

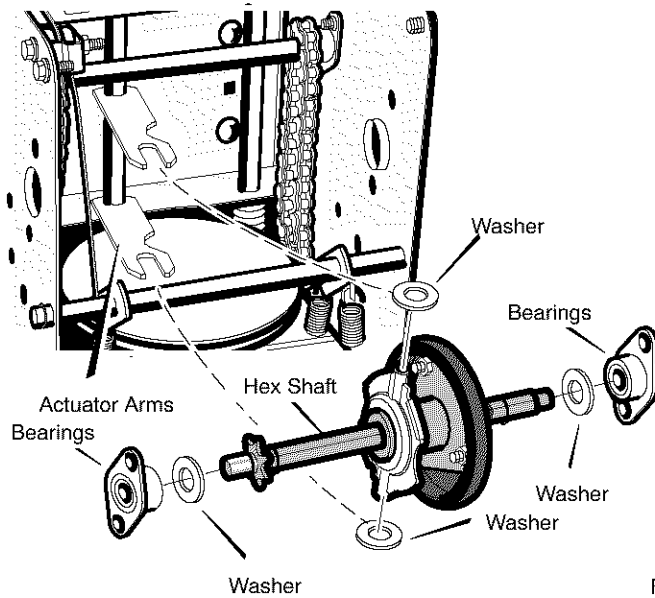


Figure 42

## SERVICE AND ADJUSTMENT

### HOW TO REPLACE THE AUGER SHEAR BOLT

The augers are secured to the auger shaft with special shear bolts. These shear bolts are designed to break and protect the machine if an object becomes lodged in the auger housing. Do not use a harder bolt as the protection provided by the shear bolt will be lost.



**WARNING:** For safety and to protect the machine, use only original equipment shear bolts.

To replace a broken shear bolt, proceed as follows. Extra shear bolts were provided in the assembly parts bag.

1. Move the throttle control to the stop position. Disengage all controls.
2. Disconnect the spark plug wire. Make sure all moving parts have stopped.
3. Align the hole in the auger with the hole in the auger shaft. Install the new **shear pin** and **spacer**. See Figure 43.
4. Connect the spark plug wire.

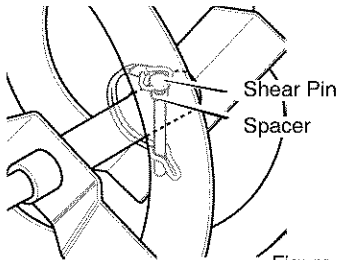


Figure 43

### TO ADJUST THE CARBURETOR

If you think your carburetor needs adjusting, see your nearest Craftsman Store. Engine performance should not be affected at altitudes up to 7,000 feet. For operation at higher elevations, contact your nearest Sears Store.

**IMPORTANT:** Never tamper with the engine governor, which is factory set for proper engine speed. Over-speeding

F-011047L

the engine above the factory high speed setting can be dangerous. If you think the engine-governed high speed needs adjusting, contact your nearest Sears Store, which has the proper equipment and experience to make any necessary adjustments.

### TO ADJUST OR REPLACE THE SPARK PLUG

If you have difficulty starting the snow thrower, adjust or replace the spark plug. Replace the spark plug if the electrodes are pitted or burned or if the porcelain is cracked. Follow the instructions below.

#### To adjust:

1. Clean **spark plug** by carefully scraping the electrodes (**Do not sand blast or use a wire brush**).
2. Be sure **spark plug** is clean and free of foreign material. Check electrodes gap with a wire **feeler gauge** and reset gap to 0.030" if necessary. See Figure 44.

#### To Replace:

1. If you need a new spark plug, use only the proper replacement spark plug.
2. Set the gap to 0.030 inches.
3. Before installing the spark plug, lightly coat the spark plug threads with oil or grease to insure easy removal.
4. Firmly tighten the spark plug in the engine.
5. If a torque wrench is available, torque the plug to 18 to 23 foot pounds.

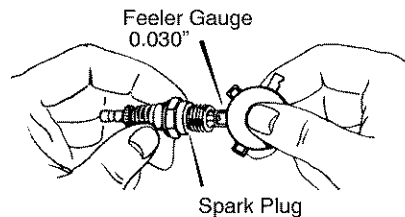


Figure 44

## STORAGE



**WARNING:** Never store your snow thrower indoors or in an enclosed, poorly ventilated area. If gasoline remains in the tank, fumes may reach an open flame, spark or pilot light from a furnace, water heater, clothes dryer, cigarette, etc.

**NOTE:** To prevent engine damage (if snow thrower is not used for more than 30 days) follow the steps below.

### SNOW THROWER

1. Thoroughly clean the snow thrower.
2. Lubricate all lubrication points. See the **Maintenance** section.
3. Be sure that all nuts, bolts and screws are securely fastened. Inspect all visible moving parts for damage, breakage and wear. Replace if necessary.
4. Touch up all rusted or chipped paint surfaces; sand lightly before painting.
5. Cover the bare metal parts of the blower housing auger and the impeller with rust preventative, such as a spray lubricant.

**NOTE:** A yearly checkup or tune-up by a Sears service center is a good way of ensuring that your snow thrower will provide maximum performance for the next season.

### ENGINE



**WARNING:** Drain the gasoline outdoors, away from fire or flame.

Gasoline must be removed or treated to prevent gum deposits from forming in the fuel tank, filter, hose, and carburetor during storage. Also, during storage alcohol blended gasoline that uses ethanol or methanol (sometimes called gasohol) attracts water. It acts on the gasoline to form acids which damage the engine.

F-011047L

1. To remove gasoline, run the engine until the fuel tank is empty and the engine stops.
2. If you do not remove the gasoline, use fuel stabilizer supplied with unit or purchase Craftsman Fuel Stabilizer No. 3550. Add fuel stabilizer to any gasoline left in the tank to minimize gum deposits and acids. If the fuel tank is almost empty, mix stabilizer with fresh gasoline in a separate container and add some to the fuel tank.
3. Always follow the instruction on the stabilizer container. After the stabilizer is added to the fuel tank, run the engine at least ten minutes to allow the mixture to reach the carburetor.
4. Change the engine oil.
5. Lubricate the piston/cylinder area. First, remove the spark plug and squirt a few drops of clean engine oil into the spark plug hole. Next, cover the spark plug hole with a rag to absorb oil spray. Then, pull two or three times on the recoil starter rope to rotate the engine. Finally, install the spark plug and attach the spark plug wire.

### OTHER

1. If possible, store your snow thrower indoors and cover it to give protection from dust and dirt.
2. If the machine must be stored outdoors, block up the snow thrower to be sure the entire machine is off the ground.
3. Cover the snow thrower with a suitable protective cover that does not retain moisture. Do not use plastic.

**IMPORTANT:** Never cover snow thrower while engine and exhaust areas are still warm.



## TROUBLE SHOOTING

TROUBLE	CAUSE	CORRECTION
<b>Difficult starting</b>	Defective spark plug.	Replace spark plug.
	Water or dirt in fuel system.	Use carburetor bowl drain to flush and refill with fresh fuel.
<b>Engine runs erratic</b>	Blocked fuel line, empty gas tank, or stale gasoline	Clean fuel line; check fuel supply; add fresh gasoline
<b>Engine stalls</b>	Unit running on CHOKE.	Set choke lever to RUN position.
<b>Engine runs erratic; Loss of power</b>	Water or dirt in fuel system.	Use carburetor bowl drain to flush and refill with fresh fuel.
<b>Excessive vibration</b>	Loose parts: damaged impeller	Stop engine immediately and disconnect spark plug wire. Tighten all bolts and make all necessary repairs. If vibration continues, have the unit serviced by a Craftsman service repairman.
<b>Unit fails to propel itself</b>	Drive belt loose or damaged.	Replace drive belt.
	Incorrect adjustment of traction drive cable	Adjust traction drive cable.
	Worn or damaged friction wheel.	Replace friction wheel.
<b>Unit fails to discharge snow</b>	Auger drive belt loose or damaged.	Adjust auger drive belt; replace if damaged.
	Auger control cable not adjusted correctly.	Adjust auger control cable.
	Shear bolt broken	Replace shear bolt
	Discharge chute clogged.	Stop engine immediately and disconnect spark plug wire. Clean discharge chute and inside of auger housing.
	Foreign object lodged in auger	Stop engine immediately and disconnect spark plug wire. Remove object from auger.

# SEARS, ROEBUCK AND CO.

## Federal and California Emission Control Systems Limited Warranty Small Off-Road Engines

### CALIFORNIA & US EPA EMISSION CONTROL WARRANTY STATEMENT

The U. S. Environmental Protection Agency ("EPA"), the California Air Resources Board ("CARB") and Sears, Roebuck and Co. are pleased to explain the Federal and California Emission Control Systems Warranty on your new small off-road engine. In California, new 1995 and later small off-road engines must be designed, built and equipped to meet the State's stringent anti-smog standards. In other states, new 1997 and later model year engines must be designed, built and equipped, at the time of sale, to meet the U.S. EPA regulations for small non-road engines. Sears, Roebuck and Co. will warrant the emission control system on your small off-road engine for the periods of time listed below, provided there has been no abuse, neglect, unapproved modification, or improper maintenance of your small off-road engine.

Your emission control system may include parts such as the carburetor, ignition system and exhaust system. Also included may be the compression release system and other emission-related assemblies.

Where a warrantable condition exists, Sears, Roebuck and Co. will repair your small off-road engine at no cost to you for diagnosis, parts and labor.

### MANUFACTURER'S EMISSION CONTROL SYSTEM WARRANTY COVERAGE

Emission control systems on 1995 and later model year California small off-road engines are warranted for two years as hereinafter noted. In other states, 1997 and later model year engines are also warranted for two years. If, during such warranty period, any emission-related part on your engine is defective in materials or workmanship, the part will be repaired or replaced by Sears, Roebuck and Co.

### OWNER'S WARRANTY RESPONSIBILITIES

As the small off-road engine owner, you are responsible for the performance of the re-

quired maintenance listed in your Owner's Manual, but Sears, Roebuck and Co. will not deny warranty solely due to the lack of receipts or for your failure to provide written evidence of the performance of all scheduled maintenance.

As the small off-road engine owner, you should, however, be aware that Sears, Roebuck and Co. may deny you warranty coverage if your small off-road engine or a part thereof has failed due to abuse, neglect, improper maintenance or unapproved modifications.

You are responsible for presenting your small off-road engine to a Sears, Roebuck and Co. Authorized Service Outlet as soon as a problem exists. The warranty repairs should be completed in a reasonable amount of time, not to exceed 30 days.

Warranty service can be arranged by contacting either a Sears, Roebuck and Co. Authorized Service Outlet, or by contacting Sears, Roebuck and Co. at 1-800-473-7247.

### IMPORTANT NOTE

Esta This warranty statement explains your rights and obligations under the Emission Control System Warranty ("ECS Warranty") which is provided to you by Sears, Roebuck and Co. pursuant to California law. See also the Sears, Roebuck and Co. Limited Warranties for Sears, Roebuck and Co. which is enclosed therewith on a separate sheet and also is provided to you by Sears, Roebuck and Co. The ECS Warranty applies only to the emission control system of your new engine. To the extent that there is any conflict in terms between the ECS Warranty and the Sears, Roebuck and Co. Warranty, the ECS Warranty shall apply except in any circumstances in which the Sears, Roebuck and Co. Warranty may provide a longer warranty period. Both the ECS Warranty and the Sears, Roebuck and Co. Warranty describe important rights and obligations with respect to your new engine.

Warranty service can only be performed by a Sears, Roebuck and Co. Authorized Service Outlet. At the time of requesting warranty service, evidence must be presented of the date of sale to the original purchaser. The purchas-

er shall pay any charges for making service calls and/or for transporting the products to and from the place where the inspection and/or warranty work is performed. The purchaser shall be responsible for any damage or loss incurred in connection with the transportation of any engine or any part(s) thereof submitted for inspection and/or warranty work.

If you have any questions regarding your warranty rights and responsibilities, you should contact Sears, Roebuck and Co. at 1-800-473-7247.

## **EMISSION CONTROL SYSTEM WARRANTY**

Emission Control System Warranty ("ECS Warranty") for 1995 and later model year California small off-road engines (for other states, 1997 and later model year engines):

**A. APPLICABILITY:** This warranty shall apply to 1995 and later model year California small off-road engines (for other states, 1997 and later model year engines). The ECS Warranty Period shall begin on the date the new engine or equipment is delivered to its original, end-use purchaser, and shall continue for 24 consecutive months thereafter.

**B. GENERAL EMISSIONS WARRANTY COVERAGE:** Sears, Roebuck and Co. warrants to the original, end-use purchaser of the new engine or equipment and to each subsequent purchaser that each of its small off-road engines is:

1. Designed, built and equipped so as to conform with all applicable regulations adopted by the Air Resources Board pursuant to its authority in Chapters 1 and 2, Part 5, Division 26 of the Health and Safety Code, and

2. Free from defects in materials and workmanship which, at any time during the ECS Warranty Period, will cause a warranted emissions-related part to fail to be identical in all material respects to the part as described in the engine manufacturer's application for certification.

C. The ECS Warranty only pertains to emissions-related parts on your engine, as follows:

1. Any warranted, emissions-related parts which are not scheduled for replacement as required maintenance in the Owner's Manual shall be warranted for the ECS Warranty Period. If any such part fails during the ECS Warranty Period, it shall be repaired or replaced by

Sears, Roebuck and Co. according to Subsection 4 below. Any such part repaired or replaced under the ECS Warranty shall be warranted for any remainder of the ECS Warranty Period.

2. Any warranted, emissions-related part which is scheduled only for regular inspection as specified in the Owner's Manual shall be warranted for the ECS Warranty Period. A statement in such written instructions to the effect of "repair or replace as necessary", shall not reduce the ECS Warranty Period. Any such part repaired or replaced under the ECS Warranty shall be warranted for the remainder of the ECS Warranty Period.

3. Any warranted, emissions-related part which is scheduled for replacement as required maintenance in the Owner's Manual, shall be warranted for the period of time prior to the first scheduled replacement point for that part. If the part fails prior to the first scheduled replacement, the part shall be repaired or replaced by Sears, Roebuck and Co. according to Subsection 4 below. Any such emissions-related part repaired or replaced under the ECS Warranty, shall be warranted for the remainder of the ECS Warranty Period prior to the first scheduled replacement point for such emissions-related part.

4. Repair or replacement of any warranted, emissions-related part under this ECS Warranty shall be performed at no charge to the owner at a Sears, Roebuck and Co. Authorized Service Outlet.

5. The owner shall not be charged for diagnostic labor which leads to the determination that a part covered by the ECS Warranty is in fact defective, provided that such diagnostic work is performed at a Sears, Roebuck and Co. Authorized Service Outlet.

6. Sears, Roebuck and Co. shall be liable for damages to other original engine components or approved modifications proximately caused by a failure under warranty of an emission-related part covered by the ECS Warranty.

7. Throughout the ECS Warranty Period, Sears, Roebuck and Co. shall maintain a supply of warranted emission-related parts sufficient to meet the expected demand for such emission-related parts.

8. Any Sears, Roebuck and Co. authorized and approved emission-related replacement part may be used in the performance of any ECS Warranty maintenance or repair and will be provided without charge to the owner. Such

use shall not reduce Sears, Roebuck and Co. ECS Warranty obligations.

9. Unapproved add-on or modified parts may not be used to modify or repair a Sears, Roebuck and Co. engine. Such use voids this ECS Warranty and shall be sufficient grounds for disallowing an ECS Warranty claim. Sears, Roebuck and Co. shall not be liable hereunder for failures of any warranted parts of a Sears, Roebuck and Co. engine caused by the use of such an unapproved add-on or modified part.

**EMISSION-RELATED PARTS  
INCLUDE THE FOLLOWING:**

1. Carburetor Assembly and its Internal Components
  - a) Fuel filter
  - b) Carburetor gaskets
  - c) Intake pipe
2. Air Cleaner Assembly
  - a) Air filter element
3. Ignition System, including:
  - a) Spark plug
  - b) Ignition module
  - c) Flywheel assembly
4. Catalytic Muffler (if so equipped)
  - a) Muffler gasket (if so equipped)
  - b) Exhaust manifold (if so equipped)
5. Crankcase Breather Assembly and its Components
  - a) Breather connection tube

10/22/99 EPA/CARB

**Sears, Roebuck and Co., Hoffman Estates, IL 60179 U.S.A.**

## CONTENIDO

GARANTÍA .....	64	MANTENIMIENTO .....	82
REGLAS DE SEGURIDAD .....	64	SERVICIO Y AJUSTES .....	85
SÍMBOLOS INTERNACIONALES	67	ALMACENAMIENTO .....	95
ENSAMBLAJE .....	69	TABLA DE LOCALIZACIÓN Y REPARACIÓN DE AVERÍAS	96
OPERACIÓN .....	75	PEDIDO DE PIEZAS/SERVICIO ..	100

## GARANTÍA

### GARANTÍA LIMITADA DE DOS AÑOS PARA EL QUITANIEVES CRAFTSMAN

Durante dos años a partir de la fecha de compra, siempre que a este quitanieves Craftsman se le dé mantenimiento, lubricación y afinamiento de acuerdo con las instrucciones de operación y mantenimiento presentadas en el manual del propietario, Craftsman reparará, sin cargo alguno, cualquier defecto en material y mano de obra.

Si este quitanieves Craftsman es usado con propósitos comerciales o de arrendamiento, esta garantía será válida solamente por 90 días a partir de la fecha de compra.

Esta garantía no cubre lo siguiente:

- Elementos de desgaste normal, tales como bujías, correas de transmisión y pasadores de seguridad.
- Reparaciones necesarias debido al abuso o negligencia del operador, incluyendo varillas dobladas y otras reparaciones necesarias por falta del mantenimiento a la unidad según lo recomendado en las instrucciones contenidas en el manual del propietario.

**EL SERVICIO DE GARANTÍA SE PUEDE OBTENER LLEVANDO EL QUITANIEVES AL CENTRO/DEPARTAMENTO DE SERVICIO CRAFTSMAN MÁS CERCANO EN LOS ESTADOS UNIDOS. ESTA GARANTÍA ES VÁLIDA SÓLO CUANDO ESTE PRODUCTO ES USADO EN LOS ESTADOS UNIDOS.**

Esta garantía le otorga derechos legales específicos, y asimismo es posible que tenga otros derechos los cuales varían de un estado a otro.

Sears, Roebuck and Co., D817WA, Hoffman Estates, IL 60179

## REGLAS DE SEGURIDAD



Preste atención a este símbolo, le indica precauciones de seguridad importantes. Significa--!!!ATENCIÓN!!! !!!ESTE ALERTA!!! Se trata de su seguridad.



### ADVERTENCIA



Las emanaciones de escape producidas por este motor y ciertos componentes de esta máquina contienen químicos reconocidos por el Estado de California como carcinógenos, también pueden producir defectos en los recién nacidos o causar otros daños al sistema reproductivo.

Los bornes, terminales y accesorios relacionados con la batería contienen plomo y compuestos del plomo, además de sustancias químicas que el Estado de California reconoce que estos compuestos pueden causar cáncer y defectos como carcinógenos, además estas sustancias pueden producir daños congénitos, a los bebés y además de otros daños al sistema reproductivo humano. **DEBE LAVARSE MUY BIEN LAS MANOS DESPUÉS DE MANIPULAR ESTOS COMPONENTES.**



### ADVERTENCIA:

**Siempre desconecte el cable de la bujía y colóquelo alejado de ésta para prevenir un arranque accidental durante la preparación mantenimiento o almacenamiento del quitanieves.**

**IMPORTANTE:** Para prevenir lesiones, las normas de seguridad exigen controles en la unidad que sólo puedan ser manejados en presencia del operador. Su quitanieves está equipado con dichos controles. Por ningún motivo intente pasar por alto la función del control en presencia del operador.

## CAPACITACIÓN

1. Lea atentamente las instrucciones sobre operación y servicio que aparecen en el manual. Familiarícese completamente con los controles y el uso adecuado de la unidad. Aprenda a detener el quitanieves y a desenganchar rápidamente los controles.
2. Nunca permita a niños operar el quitanieves y manténgalos fuera del alcance del mismo mientras éste se encuentra en operación. Nunca permita que adultos operen el quitanieves sin la instrucción apropiada. No lleve pasajeros.
3. Mantenga el área libre de personas, especialmente niños pequeños y mascotas.
4. Tenga cuidado para evitar resbalarse o caerse, especialmente cuando esté retrocediendo.

## PREPARACIÓN

1. Inspeccione completamente el área donde usará el quitanieves y retire todos los felpudos, trineos, tablas, alambres y otros objetos que puedan entorpecer su trabajo.
2. Desenganche todos los embragues antes de arrancar el motor.
3. No opere el quitanieves sin vestir ropa de invierno adecuada para trabajar afuera. Vista calzado que le dé buena estabilidad en superficies resbalosas.
4. Tenga cuidado con el combustible; es sumamente inflamable.
  - (a) Use un contenedor aprobado para combustible.
  - (b) Nunca quite la tapa del tanque de ni añada combustible si el motor está en marcha o está caliente.
  - (c) Llene el tanque de combustible al aire libre y con mucho cuidado. Nunca llene el tanque en un recinto cerrado.
  - (d) Coloque nuevamente la tapa del tanque y compruebe que quede segura, limpie el combustible derramado.
  - (e) Nunca almacene combustible o el quitanieves con combustible en el tanque dentro de un recinto cerrado donde los vapores de éste pudieran alcanzar alguna llama desprotegida o una chispa.
  - (f) Revise la reserva de combustible en el tanque antes de cada uso, dejando algún espacio para la expansión del

combustible que se produce por el calor del motor y/o del sol.

5. Para todas las unidades con motores de arranque eléctrico, utilice cables de extensión certificados por CSA/UL. Use solamente con un tomacorrientes que haya sido instalado de acuerdo a las normas estipuladas por las autoridades de inspección locales.
6. Ajuste la altura del quitanieves para pasar sobre superficies de grava o piedra triturada.
7. Nunca trate de hacer ajustes a la unidad mientras el motor está en marcha (excepto cuando esto sea específicamente recomendado por el fabricante).
8. Permita que el motor y el quitanieves se ajusten a las temperaturas exteriores antes de comenzar el trabajo.
9. Use siempre gafas de seguridad o protectores para los ojos durante la operación del quitanieves o mientras hace algún ajuste o reparación al mismo, para proteger sus ojos de objetos que puedan ser lanzados por el quitanieves.

## OPERACIÓN

1. No opere esta máquina si está tomando drogas o medicinas que puedan causar somnolencia o afectar su habilidad para operar esta unidad de manera segura.
2. No opere esta unidad si por motivos emocionales o físicos se le dificulta manejarla con seguridad.
3. No coloque las manos ni los pies cerca o debajo de piezas giratorias. Manténgase siempre a una distancia prudente de la abertura de descarga.
4. Tenga mucho cuidado cuando al operar la unidad pase o cruce caminos, aceras o calles de grava. Manténgase alerta a peligros ocultos o tráfico.
5. Si golpea algún objeto, pare el motor, desconecte el cable de la bujía, inspeccione completamente el quitanieves por si hubiera algún daño, y repárelo antes de volver a arrancar el motor y operar el quitanieves.
6. Si la unidad comienza a vibrar fuera de lo normal, pare el motor y revise la máquina inmediatamente para encontrar la causa. Generalmente, la vibración es una advertencia de problemas.
7. Pare el motor cuando deje la posición de operación, antes de desobstruir el alojamiento de la barrena/propulsor o el canal de descarga, y cuando efectúe cualquier reparación, ajuste o inspección a la unidad.

8. Cuando limpie, repare o inspeccione la unidad, asegúrese de que la barrena/propulsor y todas las partes móviles se hayan detenido. Desconecte el cable de la bujía y manténgalo alejado de ésta para evitar un arranque accidental.
9. Tome todas las precauciones posibles al dejar el quitanieves desatendido. Desenganche la barrena/propulsor, pare el motor, y retire la llave.
10. No haga arrancar el motor en recintos cerrados, excepto al arrancar y para transportar el quitanieves hacia adentro o hacia afuera del recinto. Abra las puertas que dan al exterior; las emisiones del escape son peligrosas (contienen MONÓXIDO DE CARBONO, un GAS INODORO y MORTAL).
11. No use el quitanieves para limpiar áreas de terrenos inclinadas. Tenga mucho cuidado al cambiar de dirección. No intente limpiar pendientes muy pronunciadas.
12. Nunca opere el quitanieves sin que los resguardos, placas u otros dispositivos de seguridad se encuentren en su lugar.
13. Nunca opere el quitanieves cerca de escaparates de vidrio, automóviles, vidrieras, sitios de carga/descarga, y similares sin el ajuste apropiado del ángulo de descarga de nieve. Mantenga a los niños y mascotas alejados del área que está despejando.
14. No sobrecargue la capacidad de la máquina al intentar limpiar nieve a una velocidad demasiado rápida.
15. Nunca opere el quitanieves a altas velocidades de transporte sobre superficies resbalosas. Mire hacia atrás y tenga cuidado al retroceder.
16. Nunca descargue directamente hacia personas que vayan pasando ni permita a nadie frente al quitanieves.
17. Desenganche la fuerza motriz a la barrena/propulsor cuando el quitanieves sea transportada o no esté en uso.
18. Utilice únicamente aditamentos y accesorios aprobados por el fabricante del quitanieves (tales como cadenas para las ruedas, juegos de arranque eléctrico, etc.).
19. Nunca opere el quitanieves sin buena visibilidad o iluminación. Asegúrese siempre de tener buena estabilidad, y sujete con firmeza el mango de la unidad. Camine; nunca corra.
20. No intente alcanzar lugares difíciles. Asegúrese siempre de mantener buen equilibrio y tracción.
21. No trate de usar el quitanieves para despejar tejados.

## MANTENIMIENTO Y ALMACENAMIENTO

1. Revise con frecuencia los pernos de seguro y otros pernos para asegurar que están bien apretados y que el equipo se encuentra en buenas y seguras condiciones de funcionamiento.
2. Nunca guarde el quitanieves con combustible en el tanque dentro de un recinto donde hubieran fuentes de ignición tales como calentadores de agua y estufas, secadoras de ropa y similares. Permita que el motor se enfríe antes de almacenar la unidad en cualquier recinto.
3. En el manual del operador encontrará información detallada e importante acerca de cómo guardar el quitanieves por un tiempo prolongado.
4. Mantenga o reemplace las etiquetas de seguridad e instrucciones a medida que éstas se vayan despegando de la unidad.
5. Mantenga el quitanieves en marcha unos cuantos minutos después de despejar la nieve para evitar que se congele la barrena/propulsor.



**ADVERTENCIA:** Este quitanieves es para uso en aceras, entradas de auto y otras superficies de terreno planas. Se debe tener cuidado al usar el quitanieves en superficies inclinadas. **NO USE EL QUITANIEVES EN SUPERFICIES SOBRE EL NIVEL DEL SUELO** tales como techos de residencias, de garajes, porches u otras estructuras o construcciones similares.

# SÍMBOLOS

IMPORTANTE: Encontrará muchos de los símbolos siguientes en su unidad o en los impresos informativos que vienen con el producto. Antes de operar la unidad entienda y aprenda el objetivo de cada símbolo.

## Símbolos de control y operación



Despacio



Rápido



Arranque eléctrico



Arranque del motor



Motor en marcha



Motor parado



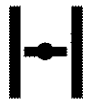
Apagado



Encendido



Estrangulador desactivado



Estrangulador activado



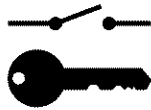
Neutro



Control de aceleración



Botón cebador



Llave de ignición



Ignición desactivada



Ignición activada



Embrague de propulsión



Avance



Marcha atrás



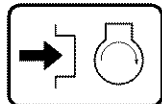
Embrague de barrena



Colector de barrena



Enganchar



Oprima para accionar el arranque eléctrico



Transmisión



## Símbolos de control y operación



Combustible



Aceite



Mezcla de combustible  
y aceite



Descarga hacia  
ABAJO



Descarga hacia  
ARRIBA



Descarga hacia la  
IZQUIERDA



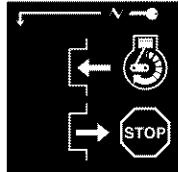
Descarga hacia la  
DERECHA



Transferencia de peso  
Levante el mango  
para enganchar



Transferencia de peso  
Presione el pedal  
para desenganchar

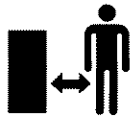


Llave de ignición  
Insertar para marcha,  
retirar para parada.

## Símbolos de advertencia de seguridad



**PELIGRO**  
Objetos lanzados.  
Mantenga alejados a  
los transeúntes



**PELIGRO**  
Objetos lanzados.  
Mantenga alejados a  
los transeúntes.



**ADVERTENCIA**



**IMPORTANTE**  
Lea el manual del  
propietario antes de  
operar esta máquina.



**PELIGRO**  
Para evitar lesiones que pue-  
da causar la barrena rotato-  
ria, mantenga las manos, los  
pies y la ropa alejados.



**PELIGRO**  
Pare el motor  
antes de desatascar  
el canal de descarga.



**ADVERTENCIA**  
Superficie caliente



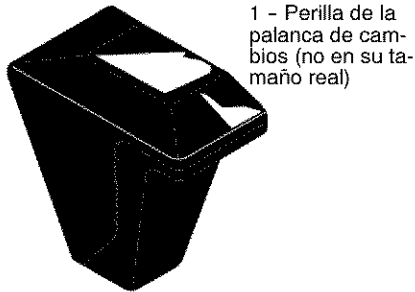
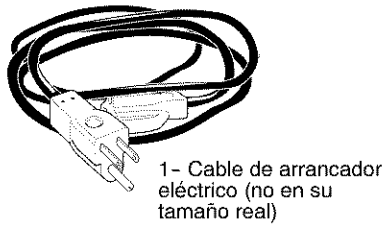
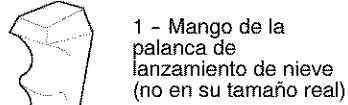
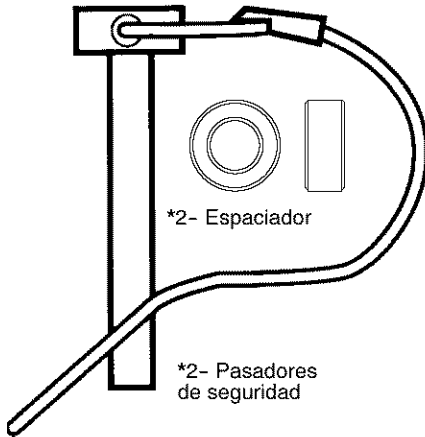
**PARE**

# ENSAMBLAJE

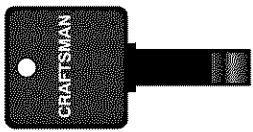
## CONTENIDO DE LA BOLSA DE PARTES (TAMAÑO REAL)

- 1 - Manual del Propietario (no se muestra)
- 1 - Paquete de estabilizador de combustible (no se muestra)
- 1 - Tarjeta de garantía (no se muestra)

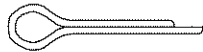
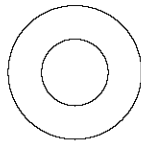
\*Las partes que no necesitan ensamblado se encuentran en la caja de herramientas ubicada en la cubierta de la correa.



## PARTES QUE VIENEN EMPAQUETADAS EN FORMA SEPARADA EN LA CAJA DE CARTÓN (NO SE MUESTRAN EN SU TAMAÑO REAL)



2- Llaves de ignición (Adjuntas a motor en bolsa plástica)



## ENSAMBLAJE



**ADVERTENCIA:** Siempre use gafas de seguridad o protectores para los ojos mientras ensambla el quitanieves.

### HERRAMIENTAS NECESARIAS

- 1 - Cuchillo para cortar la caja
- 2 - Llave de tuercas de 1/2 plg (o llave de tuercas ajustable)
- 2 - Llave de tuercas de 9/16 plg (o llave de tuercas ajustable)
- 2 - Llave de tuercas de 3/4 plg (o llave de tuercas ajustable)
- 1 - Alicata (para abrir las patas del pasador de chaveta)
- 1 - Destornillador
- 1 - Cinta o regla para medir

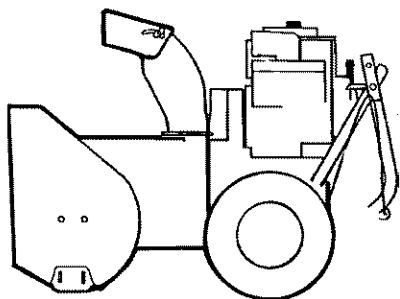


Figura 45

La Figura 45 muestra el quitanieves en posición de envío.

La Figura 46 muestra el quitanieves completamente ensamblado.

La referencia a los lados izquierdo y derecho del quitanieves se hace desde la posición del operador cuando éste se encuentra detrás de la unidad.

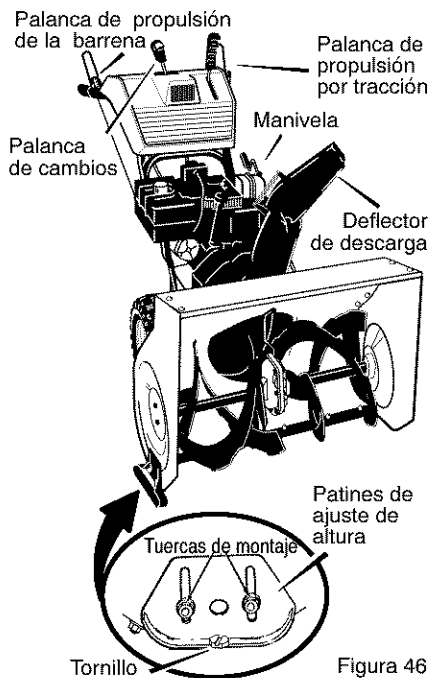


Figura 46

### CÓMO SACAR EL QUITANIEVES DE LA CAJA

1. Ubique todas las piezas que vienen empaquetadas por separado y sáquelas de la caja.  
**NOTA:** Coloque el estabilizador de combustible en un lugar seguro hasta que lo necesite para guardar la unidad.
2. Quite y deseche el material de empaque que rodea la unidad.
3. Haga un corte de arriba hacia abajo en cada esquina de la caja y deje los paneles sobre el suelo.
4. Para propósitos de envío, los **patines de ajuste de altura**, van sujetos a la plataforma de envío. Saque

el **tornillo** que sujeta cada **patín** a la plataforma. Vea la Figura 46.

5. Agarre el quitanieves por el mango y jale para sacarlo de la plataforma. **PRECAUCIÓN:** NO retroceda sobre los cables.
6. Quite el material de empaque del conjunto de los mangos.
7. Corte los amarres que sujetan los cables de control del embrague al mango inferior, y colóquelos alejados del bastidor del motor.

# ENSAMBLAJE

## CÓMO ENSAMBLAR EL MANGO Y EL CONJUNTO DE LA MANIVELA

1. Corte los amarres que sujetan la palanca de cambios al mango inferior y mueva la palanca a la primera velocidad de avance.
2. Corte y deseche el amarre de plástico que sujeta el conjunto de la manivela.
3. Afloje pero no quite los tornillos, arandelas planas, arandelas de seguridad y tuercas hexagonales que se encuentran en los agujeros superiores del mango inferior. Vea la Figura 47.
4. Retire los sujetadores y el perno de anilla de los agujeros inferiores del mango inferior. Vea la Figura 49.

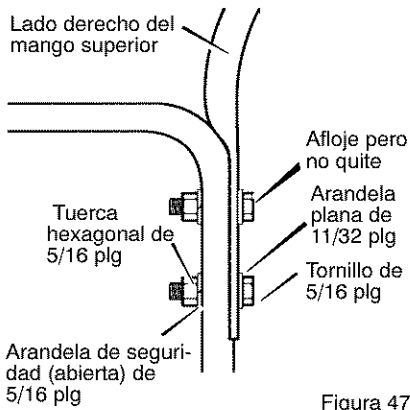


Figura 47

**NOTA:** Asegúrese de que los cables no queden atrapados entre los mangos superior e inferior.

5. Levante el mango superior a la posición de operación.

**NOTA:** Si los cables se han desconectado, conéctelos como se muestra en la Figura 48.

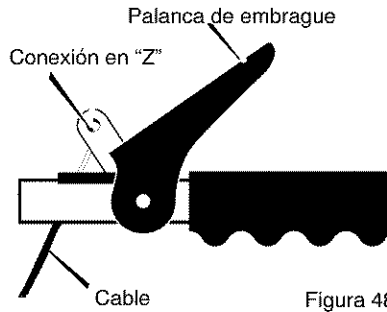


Figura 48

6. Instale los sujetadores que quitó en el paso 4. **NO** los apriete hasta tener todos los pernos en su lugar.

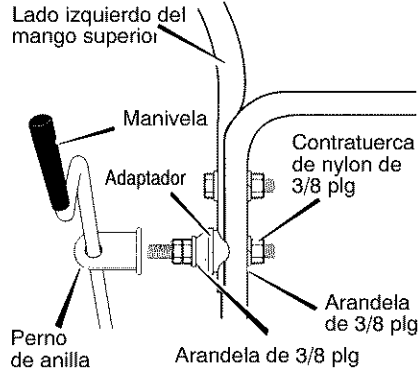


Figura 49

7. Conecte el eje de la manivela a la junta universal con el pasador de horquilla. Vea la Figura 50.
8. Apriete la tuerca del **perno de anilla**. Asegúrese de que el **perno de anilla** esté bien alineado y que la **manivela** pueda girar libremente.
9. Apriete todos los pernos del mango.

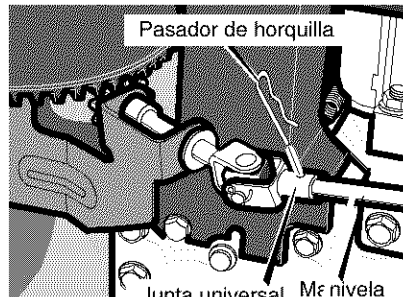


Figura 50

**NOTA:** Si los cables se han desconectado, conéctelos como se muestra en la Figura 51.

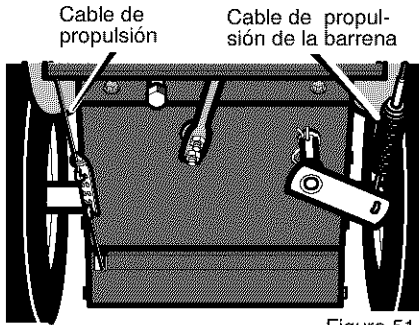


Figura 51

## CÓMO INSTALAR LAS PERILLAS Y MANGOS

### Mango de la palanca remota de lanzamiento de nieve

1. Monte el mango de la palanca de lanzamiento de nieve en la palanca hasta que quede apretado contra la tuerca (vea la Figura 52).

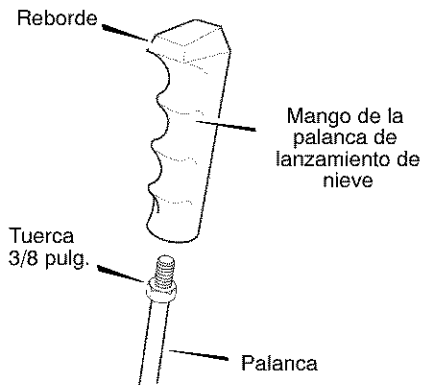


Figura 52

2. Asegúrese que el reborde del mango de la palanca de lanzamiento de nieve quede orientado hacia el motor.

3. Apriete la tuerca contra la parte inferior del mango de la palanca de lanzamiento de nieve.

### Perilla de velocidad

Instale la perilla de velocidad a la palanca de velocidad. Vea la Figura 53.

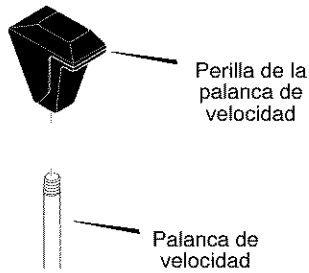


Figura 53

## ENSAMBLAJE

### CÓMO INSTALAR LA VARILLA DE CONTROL DE VELOCIDAD DE CONTROL DE VELOCIDAD

1. Coloque la **palanca de velocidad** en la posición del engranaje número seis.
2. Conecte la **varilla de control de velocidad** (*extremo en ángulo de 90°*) al **soporte selector de velocidad** con la **arandela** y el **pasador de chaveta**. Vea la Figura 54.
3. Coloque la **palanca de velocidad** en el primer cambio.
4. Conecte el **conjunto de horquilla de cambios** en el extremo inferior de la **varilla de control de velocidad** al **conjunto de horquilla de cambios**. Vea la Figura 55. La fábrica se encarga de conectar los **sujetadores** a la **varilla de control de velocidad**.
5. El largo de la **varilla de control de velocidad** y de la **varilla de control de velocidad** han sido preajustados en la fábrica. Si es necesario ajustarlo, afloje la **tuerca**. Retire los **sujetadores** para desconectar la **varilla de control de velocidad** del **conjunto de horquilla de cambios**. Para alargar o acortar el largo de la **varilla de control de velocidad**, gire el **adaptador** para obtener el largo correcto.

6. Asegúrese de que la **palanca de velocidad** funcione bien. Mueva la **palanca de velocidad** a través de todas las velocidades.

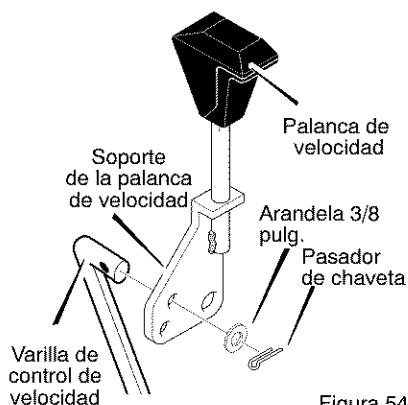


Figura 54

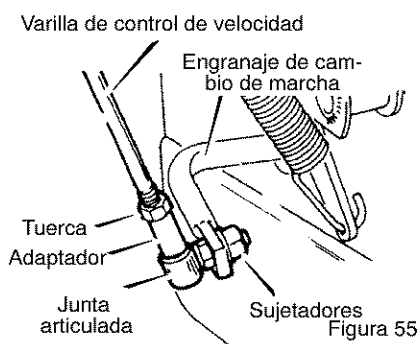


Figura 55

### CÓMO ENSAMBLAR EL DEFLECTOR DEL TUBO DE DESCARGA

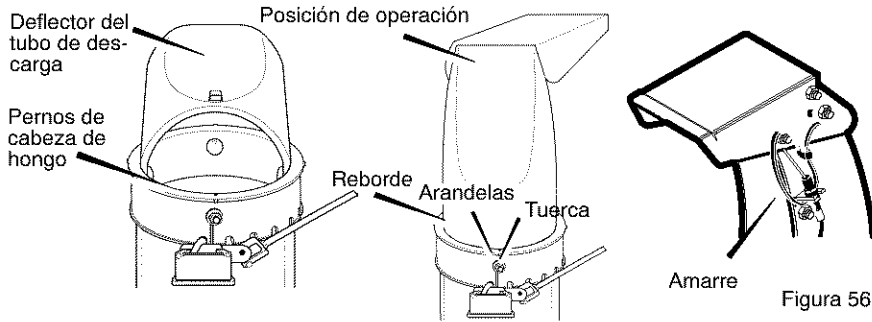
1. Quite el **perno cabeza de hongo**. Vea la Figura 56.
2. Levante el **deflector del tubo de descarga** a la **posición de operación**.
3. Monte el **deflector del tubo de descarga** en el **rebordo** con los **pernos de cabeza de hongo**. Asegúrese de instalar los **pernos de cabeza de hongo** con la cabeza en el parte interior del **rebordo**.

4. Sujete con las **arandelas** y las **contratuercas**.
5. Apriete firmemente las **contratuercas**.

**NOTA:** Compruebe que los **pernos de cabeza de hongo** en el **rebordo** estén bien apretados. **PERO NO LOS APRIETE DEMASIADO.**

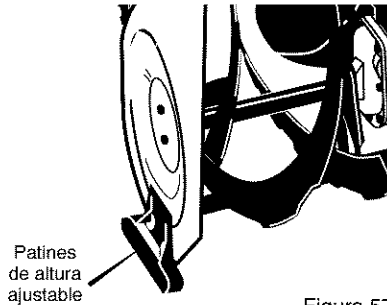
6. Corte el **amare** en el **deflector**.

## ENSAMBLAJE



### FIJACIÓN DE LA ALTURA DE LOS PATINES

El quitanieves tiene **patines de altura ajustable** montados en la parte de atrás del **alojamiento de la barrena**. Para ajustar la altura de los patines vea "Cómo ajustar la altura de los patines" en la sección de mantenimiento.



### CÓMO AJUSTAR EL LARGO DE LOS CABLES

Puesto que los cables fueron ajustados en la fábrica, no es necesario que usted los ajuste. Sin embargo, una vez que se instalan los mangos en la posi-

ción de operación, es posible que los cables queden muy tirantes o muy flojos. Si es necesario ajustarlos, consulte la sección "Cómo revisar y ajustar los cables" que aparece en la sección de Servicios y Ajustes.

### ✓ LISTA DE REVISIÓN

Antes de usar su nuevo quitanieves, y para asegurar que obtenga el mejor rendimiento y la mayor satisfacción de este producto de calidad, por favor haga un repaso de la siguiente lista de revisión:

- ✓ Se han completado todas las instrucciones de ensamblado.
- ✓ El tubo de descarga gira libremente.
- ✓ No quedan piezas sueltas en la caja de cartón.

Al mismo tiempo que aprende a usar su quitanieves, preste mucha atención a los detalles siguientes:

- ✓ El aceite del motor está al nivel adecuado.
- ✓ Asegúrese que el tanque de gasolina esté lleno con gasolina limpia, fresca y sin plomo.
- ✓ Familiarícese con todos los controles, su ubicación y función. Opere los controles antes de hacer arrancar el motor.

## OPERACIÓN

### CONOZCA SU QUITANIEVES

Lea este manual del propietario y las reglas de seguridad antes de usar su quitanieves. Compare las ilustraciones con su quitanieves para familiarizarse con las posiciones de los diversos controles y ajustes. Guarde este manual para referencia en el futuro.

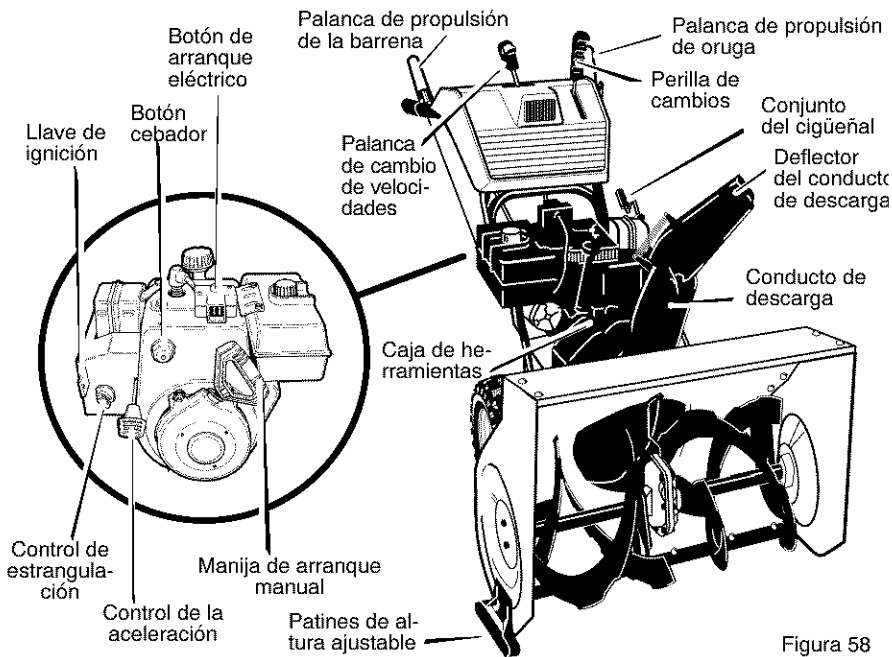


Figura 58

**Palanca de propulsión de la barrena** - Arranca y detiene la barrena y el propulsor (recoge y lanza la nieve)

**Palanca de propulsión de tracción** - Impulsa el quitanieves hacia delante o hacia atrás

**Palanca de cambio de velocidades** - Selecciona la velocidad del quitanieves (6 velocidades hacia adelante y 2 velocidades de retroceso).

**Ensamblado de la manivela de dirección de descarga** - Cambia la dirección de lanzamiento de la nieve.

**Deflector del conducto de descarga** - Cambia la distancia del lanzamiento de la nieve.

**Conducto de descarga** - Cambia la altura y la dirección del lanzamiento de la nieve.

**Patines de altura ajustable** - Ajustan la distancia libre entre el terreno y el alojamiento de la barrena.

**Llave de ignición** - Deberá ser insertada para arrancar el motor.

**Manija del arranque manual** - Arranca el motor manualmente.

F-011047L

**Control de estrangulación** - Se usa para arrancar un motor frío.

**Botón de cebado** - Inyecta el combustible directamente dentro del carburador o distribuidor para un arranque rápido en temperaturas bajas.

**Palanca remota de control del conducto de descarga** - Empújela hacia adelante para lanzar la nieve hacia arriba y lejos.

**Control del acelerador** - Controla la velocidad del motor.

**Botón de arranque eléctrico** - (si la unidad lo tiene) Se usa para arrancar el motor usando el arrancador eléctrico de 120V.

**Pasadores de seguridad** - Pasadores diseñados especialmente para romperse (para proteger la máquina) si un objeto se atora en el alojamiento de la barrena.

**Caja de herramientas** - Contiene pasadores de seguridad y espaciadores de repuesto.



## OPERACIÓN

La operación de cualquier quitanieves puede ocasionar que objetos extraños sean lanzados hacia los ojos, lo cual podría resultar en lesiones graves. Use siempre gafas de seguridad o protectores para los ojos mientras opere el quitanieves.

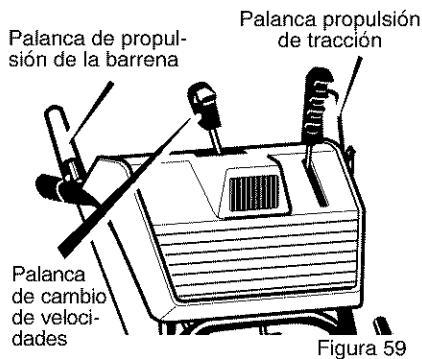
Se recomiendan las gafas de seguridad estándar o la máscara de seguridad de visión amplia para usarla sobre los anteojos.



**ADVERTENCIA:** Lea el Manual del propietario antes de operar la máquina. Nunca dirija la descarga hacia espectadores. Pare el motor antes de desobstruir el conducto de descarga o el alojamiento de la barrena y antes de dejar la máquina.

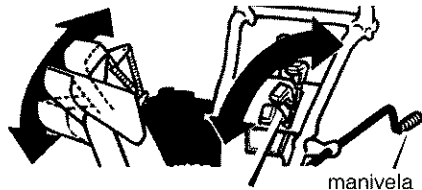
### CÓMO DETENER EL QUITANIEVES

1. Para detener el lanzamiento de nieve, suelte la **palanca de propulsión de la barrena** (vea la Figura 59).
2. Para parar las ruedas, suelte la **palanca propulsión de tracción**.
3. Para parar el motor, empuje la **palanca de control de aceleración** a apagado (off) y saque la **llave de ignición**.



### PARA CONTROLAR LA DESCARGA DE NIEVE

1. Gire la manivela para establecer la dirección de lanzamiento de la nieve (vea la Figura 60).
2. Empuje la **palanca de descarga distante** hacia adelante para lanzar la nieve a buena altura y lejos. Jale la **palanca de descarga distante** hacia atrás para descargar la nieve hacia abajo.



Palanca de descarga distante manivela para establecer  
Figura 60

### CÓMO AVANZAR Y RETROCEDER

1. Para cambiar de velocidad, suelte la palanca de propulsión de oruga y mueva la palanca de cambios a la velocidad deseada (vea la Figura 59). La velocidad en el terreno estará determinada por las condiciones de la nieve. Seleccione la velocidad que desea moviendo la palanca de cambio de velocidades a la ranura apropiada de la placa de la palanca de cambios.

Velocidades 1, 2 - Nieve húmeda, pesada, muy profunda

Velocidad 3 - Nieve ligera

Velocidad 4 - Muy ligera

Velocidades 5, 6 - Para transportar la unidad solamente

2. Enganche la palanca de propulsión de tracción (en el lado izquierdo). A medida que el quitanieves comienza a moverse, sujete firmemente los mangos, y guíe el quitanieves a lo largo del camino a despejar. No intente empujarlo.
3. Para mover el quitanieves en retroceso, mueva la palanca de cambio de velocidades a la primera o segunda velocidad del retroceso y enganche la palanca de propulsión de tracción (en el lado izquierdo).

**IMPORTANTE:** Nunca mueva la palanca de cambio de velocidades mientras la palanca de propulsión de tracción está abajo.

### PARA LANZAR LA NIEVE

1. Empuje la palanca de propulsión de la barrena hacia abajo (lado derecho) (vea la Figura 59).
2. Súeltela para detener el lanzamiento de nieve.

## OPERACIÓN

### CÓMO USAR EL PASADOR DE ENGANCHE DE LA RUEDA

La rueda izquierda va asegurada el eje con un pasador de enganche. Vea la Figura 61. La unidad fue enviada con el pasador de enganche en posición. Para facilitar la maniobra de la unidad en condiciones de poca nieve, desconecte el pasador de enganche de la manera siguiente.

1. Jale la perilla para desconectar el pasador de enganche.
2. Para fijar en la posición de desenganche, gire la perilla 1/4 de vuelta (90 grados).

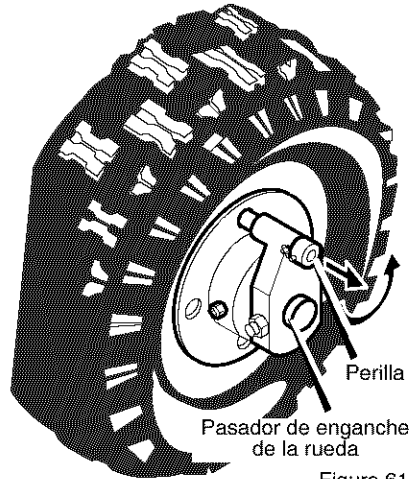


Figura 61

### ANTES DE ENCENDER EL MOTOR

1. Antes de darle servicio o de encender el motor, familiarícese con el quitanieves. Asegúrese de entender la función y la ubicación de todos los controles.
2. Revise la tensión del cable del embrague antes de encender el motor. Consulte el párrafo **Cómo ajustar el cable de control**, en la sección de **Servicio y Ajustes** de este manual.
3. Asegúrese de que todos los sujetadores estén apretados.
4. Asegúrese de que los patines de altura ajustable estén ajustados correctamente. Consulte el párrafo **Cómo ajustar la altura de los patines**, en la sección de **Servicio y Ajustes** de este manual.
5. Revise la presión de las ruedas (**14 - 17 libras**). No sobrepase el límite máximo de presión para los neumáticos.

### CÓMO REVISAR EL ACEITE:

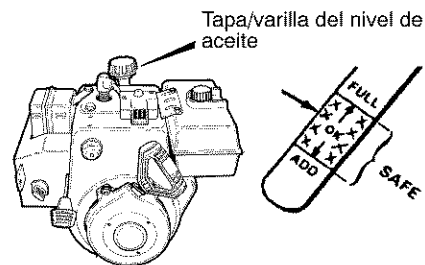
**NOTA: El motor fue enviado de la fábrica con aceite. Revise el nivel de aceite. Añada aceite según sea necesario.**

1. Asegúrese de que la unidad se encuentre sobre una superficie nivelada.

**NOTA: No revise el nivel de aceite estando el motor en marcha.**

F-011047L

2. Quite la tapa/varilla de nivel de aceite. Revise el nivel.
3. Si es necesario, añada aceite hasta la línea FULL (lleno) en la tapa/varilla del nivel (vea la Figura 62). No exceda la medida.



**NOTA: El nivel del aceite deberá estar entre la marca lleno y la marca agregar**

Figura 62

4. Apriete la tapa/varilla del nivel de aceite en forma segura cada vez que revise el nivel de aceite.

**NOTA: Para condiciones de operación de frío extremo de 0° F y por debajo de ésta, use un aceite de motor 0W30 parcialmente sintético para un arranque más fácil.**

**NOTA: Cuando la temperatura alcance -6,7° C (20°F) o menos, puede usar aceite del tipo S.A.E. 5W-30 para facilitar en encendido del motor.**

## OPERACIÓN

### TIPO DE COMBUSTIBLE

**AVISO:** MOTORES QUE ESTAN CERTIFICADOS PARA CUMPLIR CON LAS ESTIPULACIONES DE LAS NORMAS DE EMISIÓN EN EL ESTADO DE CALIFORNIA Y DE LAS NORMAS FEDERALES DE EPA DE EUA PARA MOTORES ULGE: Están certificados para funcionar con gasolina regular sin plomo. Esto incluye los siguientes sistemas de control de emisión: EM, Sistema de reactor (convertidor) Catalítico Tridireccional (para los motores que estén equipados con este sistema). Todas las características ajustables por el usuario ya cumplen con las normas, por lo tanto no es necesario ningún otro requisito.



**ADVERTENCIA:** La experiencia indica que los combustibles mezclados con alcohol (llamado gasohol o usando etanol o metanol) pueden atraer humedad la cual conduce a la separación y formación de ácidos durante el almacenamiento. Los gases ácidos pueden dañar el sistema de combustible de un motor mientras se encuentra en almacenamiento.

**NOTA:** Para evitar problemas del motor, el sistema de combustible debe vaciarse antes del almacenamiento durante 30 días o mayor. Arranque el motor y déjelo en marcha hasta que las líneas de combustible y el carburador estén vacíos. Use el drenaje de la vasija del carburador para vaciar la gasolina residual de la cámara de flotador (Vea la figura en página 60). Use gasolina fresca la siguiente temporada. (vea la "Instrucciones para almacenamiento" para obtener informa-

ción adicional).

Nunca use productos de limpieza de motor o carburador en el tanque de combustible, de lo contrario podría causar daño permanente.

1. Llenar el tanque únicamente con gasolina nueva, limpia, regular sin plomo, super sin plomo, o gasolina automotor reformulada. NO use gasolina con plomo. Asegúrese de que el recipiente que contiene la gasolina a utilizar, esté limpio y sin óxido u otras partículas extrañas. Nunca use gasolina vencida debido a su prolongado almacenamiento.



**ADVERTENCIA:** La gasolina es inflamable y se deberá tener mucho cuidado al manipularla o almacenarla.

No llene el tanque de combustible mientras el quitanieves se encuentra en marcha, cuando esta cliente, o cuando el quitanieves se encuentra en un área cerrada.

Manténgase alejado(a) de llamas abiertas o chispas eléctricas ¡y! no fume mientras llena el tanque de combustible.

**NUNCA** llene el tanque completamente, llene el tanque hasta el nivel entre 1/4-1/2 pulgada desde la parte superior para proporcionar espacio para la expansión del combustible.

**Siempre llene el tanque en ambientes exteriores ¡y! use un embudo o boquilla para prevenir el derrame.**

**Asegúrese de limpiar cualquier combustible derramado antes de arrancar el motor.**

**Almacene la gasolina en un contenedor, limpio y aprobado, y mantenga la tapadera del contenedor en su lugar.**

### PARA PARAR EL MOTOR

Parar la marcha del motor, mueva la palanca de control de la aceleración a la posición (PARAR) y retire la llave. Mantenga la llave en un lugar seguro. NO ROTE LA LLAVE.

## OPERACIÓN

### PARA ARRANCAR EL MOTOR (arrancador eléctrico)

Asegúrese de que el motor tenga suficiente aceite. El motor de el quitanieves está equipado con un arrancador eléctrico de 120 voltios corriente alterna y arrancador de retroceso. Antes de arrancar el motor, asegúrese de haber leído la información siguiente:



**ADVERTENCIA:** Este arrancador esta equipado con un cable de alimentacion trifilar y esta diseñado para operar en corriente alterna domiciliar de 120 voltios. Deberá estar conectado a tierra de manera adecuada en todo momento para evitar la posibilidad de un choque electrico, el cual podría causar heridas al operador. Siga las instrucciones cuidadosamente de la manera en que se detallan en la seccion "Para arranca el motor." Verifique que el alambrado de su casa sea trifilar con polo a tierra. Pregunte a un electricista autorizado si no se encuentra seguro. Si el sistema de alambrado de su casa no es un sistema trifilar, no use el arrancador electrico bajo ninguna condicion. Si su sistema tiene polo a tierra y no se encuentra disponible un receptaculo trifilar en el punto en que su arrancador sera usado normalmente, se debe instalar uno por un electricista autorizado. Al conectar el cable de alimentacion electrica de corriente alterna de 120 voltios, siempre conecte el cable a la caja de interruptores en el motor primero, luego enchufe el otro extremo en el receptaculo trifilar con polo a tierra. Al desconectar el cable de alimentacion electrica, siempre desenchufe el extremo en el receptaculo con polo a tierra primero.

### ARRANQUE EN FRIO

1. Asegúrese de que las palancas de propulsión del barreno y de propulsión de oruga están en la posición desenganchada "SUELTA" (RELEASED).
2. Mueva el control de la aceleración a la posición (RAPIDO).
3. Remueva las llaves de la bolsa plástica. Inserte una llave en la ranura de igni-

F-011047L

ción. NO ROTE LA LLAVE. Mantenga la segunda llave en un lugar seguro.

4. Rote la manecilla de estrangulación a la posición estrangulación "TOTAL" (FULL).
5. Conecte el cable de alimentación eléctrica a la caja de interruptores en el motor.
6. Enchufe el otro extremo del cable de alimentación eléctrica en un receptáculo trifilar de 120 voltios y corriente alterna con polo a tierra.
7. Empuje el botón cebo mientras cubre el agujero de ventilación de la manera siguiente: (Remueva el dedo del botón cebo entre cebados).  
No efectúe el cebado si la temperatura est sobre 50° F.  
Dos veces si la temperatura está entre 50°F to 15°F.  
Cuatro veces si la temperatura se encuentra por debajo de 15°F.
8. Empuje el botón del arrancador hacia abajo hasta que el motor arranque. No intentar el arranque por mas de 10 segundos a la vez. Este arrancador eléctrico está protegido termalmente. Si se sobre calienta se detendrá automáticamente y puede ser arrancado nuevamente sólo cuando se ha enfriado hasta una temperatura segura (se requiere una espera de 5 a 10 minutos aproximadamente).
9. Cuando el motor arranque, suelte el botón de arranque y ponga la palanca del ahogador en la posición "1/2 ahogador". Cuando el motor esté trabajando uniformemente, meueva la palanca del ahogador a la posición "no ahogador".
10. Desconecte el cable de alimentación eléctrica desde el receptáculo primero y luego desde la caja de interruptores en el motor.

**NOTA:** deje que el motor se caliente por algunos minutos antes de soplar nieve, en temperaturas inferiores a - 18°C (0°F).

11. Opere el motor a toda velocidad (RÁPIDO) cuando esté lanzando nieve.

### ARRANQUE EN CALIENTE

Si está arrancando un motor caliente después de un apagón corto, deje el estrangulador en "APAGADO" (OFF) y no pulse el botón cebo.

## OPERACIÓN

### PARA ENCENDER EL MOTOR (retroceso manual)

Cerciórese de que el motor tiene suficiente aceite. Antes de encender el motor, asegúrese de leer toda la información siguiente:

### ARRANQUE EN FRIO

1. Asegúrese de que las palancas de propulsión del barreno y de propulsión de oruga están en la posición desenganche "SUELTA" (RELEASED).
2. Mueva el control de la aceleración a la posición (RAPIDO).
3. Introduzca la llave en la ranura del encendido y asegúrese de que calce bien. **NO LA HAGA GIRAR.** Coloque la llave adicional proporcionada en un lugar seguro.
4. Rote la manecilla de estrangulación a la posición estrangulación "TOTAL" (FULL).
5. Empuje el botón cebo mientras cubre el agujero de ventilación de la manera siguiente: (Remueva el dedo del botón cebo entre cebados).  
  
No efectúe el cebado si la temperatura esta sobre 50°F.  
Dos veces si la temperatura está entre 50°F hasta 15°F.  
Cuatro veces si la temperatura se encuentra por debajo de 15°F.
6. Jale la manivela del arranque con un movimiento seguro y rápido. No deje que la inercia del encendido hale la cuerda del arranque con violencia. Permita que vuelva a enrollarse suavemente mientras sostiene la manivela.
7. Mientras el motor se va calentando, mueva la palanca de ahogador a la posición de "1/2 ahogador". Cuando el motor esté funcionando uniformemente, mueva la palanca del ahogador a la posición de "No ahogador".

**NOTA:** deje que el motor se caliente por algunos minutos antes de soplar nieve, en temperaturas inferiores a - 18°C (0°F).

8. Opere el motor a toda velocidad (RAPIDO) al remover nieve.

F-011047L

### ARRANQUE EN CALIENTE

Si está arrancando un motor caliente después de un apagón corto, deje el estrangulador en "APAGADO" (OFF) y no pulse el botón cebo.

### ARRANQUE CONGELADO

Si el arrancador está congelado y no arranca el motor:

1. Hale tanta longitud de cuerda del arrancador como sea posible.
2. Suelte la manija del arrancador y déjela enrollarse de nuevo contra el arrancador.

Si el motor todavía no arranca, repita estos pasos hasta que logre encenderlo.

Para ayudar a evitar la posibilidad de congelamiento del arrancador de retroceso y los controles del motor, proceda de la manera siguiente después de cada trabajo de remoción de nieve.

1. Con el motor en marcha, hale la cuerda de arranque enérgicamente con un alargamiento de brazo continuo tres o cuatro veces. El halado de la cuerda de arranque producirá un sonido de repiqueteo fuerte. Esto no causa daño ni al motor ni al arrancador.
2. Con el motor parado, limpie toda la nieve y humedad de la cubierta del carburador en el área de las palancas de control. Asimismo, mueve el control de aceleración, control de estrangulación, y manija del arrancador varias veces y deje el estrangulador en la posición, "TOTAL" (FULL) y la palanca de aceleración en la posición (RAPIDO).



**ADVERTENCIA:** Nunca encienda el motor de la unidad en recintos cerrados o con poca ventilación. Las emanaciones del escape del motor contienen MONÓXIDO DE CARBONO, UN GAS INOLORO Y MORTAL. Mantenga las manos, pies, cabello y ropa suelta alejados de cualquier parte en movimiento del motor y de la unidad.

La temperatura del silenciador y las áreas cercanas a éste pueden alcanzar temperaturas de hasta 150 grados F. No toque estas áreas. NO permita que niños o jóvenes utilicen la unidad ni que se encuentren cerca de ésta cuando está funcionando.

## OPERACIÓN



**ADVERTENCIA:** No intente quitar ningún objeto que se haya atorado en la barrena sin tomar las precauciones siguientes:

- Suelte las palancas de propulsión de la barrena y de propulsión de tracción.
- Mueva la palanca de control de la aceleración a la posición parar.
- Remueva (no rote) la llave de ignición.
- Desconecte el alambre de la bujía.
- No coloque las manos en la barrena o conducto de descarga. Use una barra de apalancamiento.

### PISTAS SOBRE LANZAMIENTO DE NIEVE

1. Para mayor eficiencia de lanzamiento de nieve durante la remoción de la misma, ajuste la velocidad en el terreno, NUNCA la aceleración. Avance lentamente en nieve profunda, congelada, o húmeda. Si la oruga desliza, reduzca la velocidad hacia adelante. El motor está diseñado para brindar un rendimiento máximo bajo aceleración total y debe ser operado en este valor de potencia en todo momento.
2. El lanzamiento de nieve es más eficiente si la remoción de la misma se efectúa inmediatamente después de su caída.
3. Para una remoción completa de la nieve, traslape ligeramente cada camino adoptado previamente. En nieve profunda, superponga los barridos entre sí para evitar sobrecargar la máquina.
4. La nieve debería ser descargada en la dirección del viento siempre que sea posible.
5. Para uso normal, posicione las correderas de apoyo de manera tal que la barra raspadora se encuentre 1/8 de pulgada sobre las correderas de apoyo. Para superficies de nieve dura extremadamente compacta, ajuste las correderas de apoyo hacia arriba de manera que la barra raspadora haga contacto con el terreno.
6. En superficies de grava o roca triturada, posicione las correderas de apoyo a 1-1/4 pulgadas por debajo de la barra raspadora (Vea el párrafo "Cómo ajustar la altura de las correderas de apoyo" en la página 55). Las rocas y grava no deberán ser recogidas y lanzadas por la máquina.
7. Después de que se haya completado el lanzamiento de nieve, permita que el motor se encuentre en reposo por unos cuantos minutos, lo cual derretirá la nieve y hielo acumulado del motor.
8. Efectúe una limpieza completa de el quitanieves luego de cada uso.
9. Remueva la acumulación de hielo y nieve y todo material extraño heterogéneo de el quitanieves en su totalidad, y lave con agua (si fuese posible) para remover toda sal u otras substancias químicas. Seque el quitanieves.

# MANTENIMIENTO

## RESPONSABILIDADES DEL CLIENTE

REGISTROS DE SERVICIO Anote las fechas a medida que completa el servicio	Antes de cada uso	A menudo	Cada 5 horas	Cada 10 horas	Cada 25 horas	Cada temporada	Antes de guardar	FECHA DEL SERVICIO
Revisar el nivel de aceite del motor	√		√			√		
Cambiar el aceite del motor					√	√		
Apretar todos los tornillos y tuercas	√	√						
Revisar la bujía					√	√		
Lubricar todos los puntos de giro				√			√	
Revisar el combustible	√							
Vaciar el tanque de combustible							√	
Revisar el ajuste de los cables (sección "Ajuste de los cables")						√		
Ajustar la correa de propulsión	√				√	√		
Lubricate Auger Shaft (See Shear Bolt Replacement)				√			√	

## RECOMENDACIONES GENERALES

La garantía de este quitanieves no cubre elementos que han estado sujetos a abuso o negligencia por parte del operador. Para recibir el valor total de la garantía, el operador deberá dar mantenimiento al quitanieves de acuerdo a las instrucciones contenidas en este manual.

Será necesario efectuar algunos ajustes periódicamente para mantener su quitanieves en buenas condiciones de funcionamiento.

Todos los ajustes en la sección **Servicio y Ajustes** de este manual deberían ser reali-

zados por lo menos una vez durante cada temporada.

### DESPUÉS DE CADA USO

- Revise la unidad por si tuviera alguna pieza suelta o dañada.
- Apriete los sujetadores que estén sueltos.
- Revise y dé mantenimiento a la barrena.
- Revise los controles para asegurarse de que funcionan correctamente.
- Si encuentra alguna pieza gastada o dañada, cámbiela inmediatamente.

# MANTENIMIENTO

## ESPECIFICACIONES

CABALLOS DE FUERZA	11 HP
CILINDRADA	21.82 cu. in.
CAPACIDAD DE GASOLINA	4 cuartos (sin plomo)
CAPACIDAD DE ACEITE	20 onzas, 5W30
BUJÍA:	Champion RJ19LM (Entrehierro 0,030plg)
HOLGURA DE VÁLVULAS:	Entrada: 0,010 plg. Escape: 0,010 plg.

## QUITANIEVES

### SEGÚN SEA NECESARIO

Los siguientes ajustes se deben hacer más de una vez por temporada.

1. Ajuste la correa de propulsión de la barrena después de las primeras 2 ó 4 horas, y nuevamente a mitad de la temporada, y dos veces cada temporada posteriormente, (**Consulte el párrafo "Cómo ajustar las correas" en la sección de Servicio y Ajustes.**)

### LUBRICACIÓN - CADA 10 HORAS

1. **Auger Shaft** - Using a hand grease gun, lubricate the auger shaft zerk fittings (A) every ten (10) operating hours. Each time a shear bolt is replaced, the auger shaft MUST be greased. See Figura 63. See **To Replace Auger Shear Bolt** in the **Service and Adjustment** section.

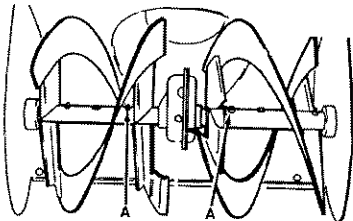


Figura 63

F-011047L

## LUBRICACIÓN DE LA CADENA - CADA 25 HORAS

1. Ponga la palanca de selección de velocidad en primera (1).
2. Ponga el quitanieves de pie sobre el extremo del alojamiento de la barrena.

**NOTA: Cuando el cárter del motor esté lleno de aceite, asegúrese de no dejar el quitanieves de pie sobre el alojamiento de la barrena por mucho tiempo.**

3. Quite el panel inferior.
4. Lubrique las **cadenas** con un lubricante especial para cadenas.
5. Cuando vaya a almacenarlo, limpie el **eje hexagonal y los engranajes** con aceite de motor 5W30.

**NOTA: Limpie todo exceso de grasa o de aceite de la rueda de fricción o de la placa del disco de propulsión.**

**PRECAUCIÓN: No permita que la grasa entre en contacto con la rueda de fricción ni con la placa del disco de propulsión.**

6. Instale el panel inferior.

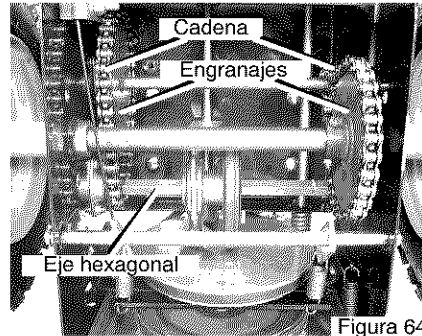


Figura 64

## CAJA DE ENGRANAJES DE LA BARRENA

La caja de engranajes de la barrena se lubrica en la fábrica y no requiere lubricación. Si por alguna razón el lubricante se escapa, haga revisar esta caja de engranajes en un centro de servicio autorizado.

## MOTOR

### LUBRICACIÓN

Revise el nivel de aceite en el cárter del motor antes de encenderlo y después de cada cinco (5) horas de uso continuo. Vea la



## MANTENIMIENTO

Figura 65. Agregue aceite de motor S.A.E. 5W30 a medida que sea necesario. Apriete la tapa/varilla indicadora en forma segura cada vez que revise el nivel del aceite.

Tapa/varilla indicadora del nivel de aceite

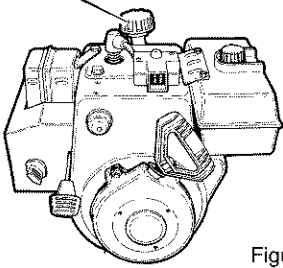


Figura 65

Cambie el aceite cada veinticinco (25) horas de uso, o por lo menos una vez al año si el quitanieves no se usa por veinticinco (25) horas.

### CAMBIO DE ACEITE

1. Coloque el quitanieves de manera tal que el tapón de drenaje del aceite sea el punto más bajo del motor.
2. Quite el tapón de drenaje del aceite y la **tapa/varilla indicadora del nivel de aceite**. Drene el aceite en un recipiente apropiado.

**NOTA:** El aceite fluirá mejor si el motor está caliente.

3. Una vez que haya sacado todo el aceite, coloque nuevamente el tapón de drenaje

en su lugar y apriételo para que quede seguro.

4. Llene lentamente el cárter del motor con aceite S.A.E. 5W30. **NO LO LLENE DEMASIADO.**

### BUJÍA

Revise la **bujía** cada veinticinco (25) horas. Reemplácela si los electrodos están picados o quemados o si la porcelana está rajada.

1. Asegúrese de que la **bujía** esté limpia. Límpiela raspando con mucho cuidado los electrodos (**no use chorro de aren ni cepillo de alambres**).
2. Revise el **entrehierro de la bujía** usando una **lámina calibradora** y restablezca el entrehierro a 0,030 plg. si fuera necesario. Vea la Figura 66.
3. Antes de instalar la **bujía**, cubra la rosca con un poco de aceite para que sea más fácil sacarla, si fuera necesario. Aprieta la bujía a un par de apriete de 15 pie-libra.

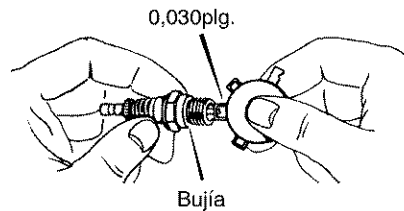


Figura 66

## SERVICIO Y AJUSTES



**ADVERTENCIA:** Para prevenir el arranque accidental del motor, siempre desconecte el cable de la bujía y manténgalo alejado de ésta mientras realiza ajustes o reparaciones a la unidad.

### CÓMO AJUSTAR LOS PATINES DE ALTURA

Este quitanieves está equipado con dos patines de ajuste de altura, ubicados en el lado exterior del alojamiento de la barrena. Vea la Figura 67.

Estos patines de ajuste de altura elevan la parte delantera del quitanieves.

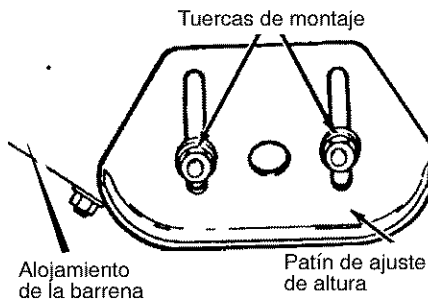


Figura 67

Para superficies duras normales, tales como entradas de auto o senderos pavimentados ajuste los patines de ajuste de altura de la siguiente manera:

1. Ponga el quitanieves en una superficie nivelada.
2. Compruebe que ambos neumáticos tienen la misma presión de aire. La presión de aire correcta es 14 a 17 PSI (de 228 a 277 kg/cm).
3. Coloque los pernos de seguridad adicionales (**que se encuentran en la bolsa de partes**) debajo de cada extremo de la barra raspadora junto a los patines de ajuste de altura.

4. Afloje las tuercas de montaje que sujetan los patines de ajuste de altura. Para bajar la parte delantera del quitanieves, suba los patines. Apriete las tuercas de montaje. Vea la Figura 67.

**NOTA:** Para las superficies pedregosas o irregulares, suba la parte delantera del quitanieves bajando los patines de ajuste..



**ADVERTENCIA:** Asegúrese de mantener la altura necesaria sobre el suelo del área que se va a limpiar. Si el impulsor golpea objetos tales como grava, piedras u otros desechos, los puede lanzar con suficiente fuerza como para causar lesiones personales, daños a la propiedad o daños al quitanieves.

### AJUSTE DE LA BARRA RASPADORA

Después de mucho uso, la barra raspadora metálica se gastará. La barra raspadora y los patines, siempre deben ajustarse de manera que quede un espacio de 1/8 plg. entre la barra raspadora y la acera o el área que se va a despejar.

1. Ponga el quitanieves en una superficie nivelada.
2. Compruebe que ambos neumáticos tienen la misma presión de aire. La presión correcta es de 14 a 17 PSI. No exceda la presión la cantidad máxima de aire indicada en el neumático.
3. Afloje las tuercas y pernos de coche que sujetan la barra raspadora al alojamiento de la barrena.
4. Ajuste la barra raspadora a la posición correcta.
5. Apriete las tuercas y pernos de coche. . Asegure que la barra raspadora quede paralela con la acera o el área que se va a despejar.
6. Para que la barra raspadora dure más tiempo, quítela y móntela al revés. Si debe reemplazarla debido al desgaste, quite las tuercas y los pernos de coche e instale una barra raspadora nueva.

## AJUSTES DE LA CORREA

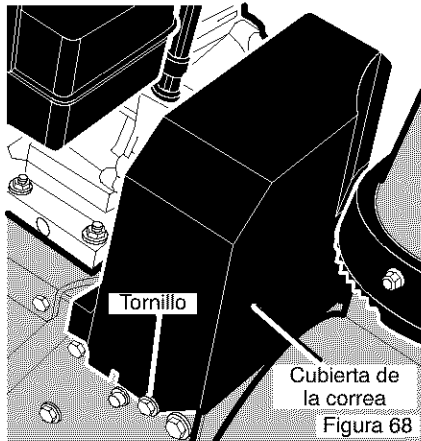
### Correa de propulsión

La correa de propulsión tiene una presión de resorte constante y no requiere ningún ajuste. Si nota que empieza a resbalar, reemplácela. Consulte "Modo de reemplazar la correa" en la sección de mantenimiento.

### Correa de propulsión de la barrena

Si el quitanieves no expulsa la nieve, compruebe el ajuste del cable. Si es correcto, compruebe que la correa de propulsión de la barrena esté en buen estado. Si está estropeada o suelta, reemplácela (vea Reemplazo de la correa en esta misma sección del manual).

1. Desconecte el cable de la bujía.
2. Quite el **tornillo** de la **cubierta de la correa**. Quite la **cubierta de la correa** (Figura 68).



3. Afloje la tuerca de la polea guía de la barrena y mueva esta última hacia la correa un octavo de pulgada aproximadamente (3 mm) (Figura 71).
4. Apriete la tuerca.
5. Pida a alguien que ponga el embrague de la barrena. Compruebe la tensión de la correa (al lado contrario de la polea guía). La correa de-

bería ceder media pulgada (12,5 mm) con presión moderada (Figura 69). Puede que tenga que mover la polea guía más de una vez para conseguir la tensión correcta.

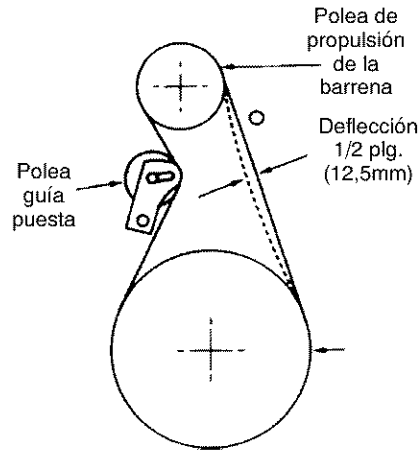


Figura 69

6. Vuelva a poner la cubierta de la correa.
7. Siempre que ajuste o reemplace las correas, también hará falta ajustar los cables. (Vea Ajuste de los cables en esta misma sección del manual).
8. Conecte el cable de las bujías.

## MODO DE REEMPLAZAR LAS CORREAS

Las correas de propulsión son especiales y se deben reemplazar con correas originales del fabricante que podrá encontrar en un distribuidor autorizado. Para completar algunos de estos procedimientos necesitará la ayuda de otra persona.

### Modo de desmontar la correa de propulsión de la barrena

Si la correa de propulsión está estropeada, el quitanieves no expulsará la nieve. Reemplace la correa de la siguiente manera.

1. Desconecte el cable de la bujía.
2. Afloje los **pernos** a cada lado del **panel inferior** (Figura 70).

## SERVICIO Y AJUSTES

### 3. Quite el panel inferior.

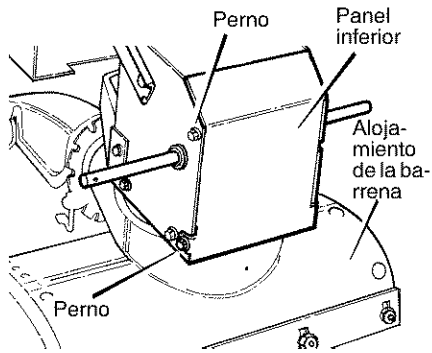


Figura 70

4. Quite el tornillo de la cubierta de la correa. Quite la cubierta (Figura 68).
5. Afloje la guía de la correa. Separe la guía de la polea de propulsión de la barrena (Figura 71).
6. Separe la polea guía de la correa de propulsión de la barrena.
7. Quite la correa de propulsión vieja de la polea de propulsión de la barrena y de la polea del motor.

Instale una **correa de propulsión de la barrena** nueva original de fábrica que haya comprado en un centro de servicio autorizado.

8. Instale la **correa de propulsión de la barrena** nueva en la **polea de propulsión** y en la **polea**.
9. Ajuste la **correa de propulsión de la barrena**. Consulte "Modo de ajustar la correa de propulsión de la barrena" en la sección de mantenimiento.
10. Ajuste la **guía de la correa**. Consulte "Modo de ajustar la guía de la correa" en la sección de mantenimiento.
11. Instale la **cubierta de la correa**. Apriete el **tornillo** (Figura 68).
12. Revise los cables. Consulte "Modo de revisar y ajustar los cables" en la sección de mantenimiento.
13. Instale el **panel inferior** (Figura 70).
14. Apriete los **pernos** a cada lado del **panel inferior**.
15. Conecte el cable de la bujía.

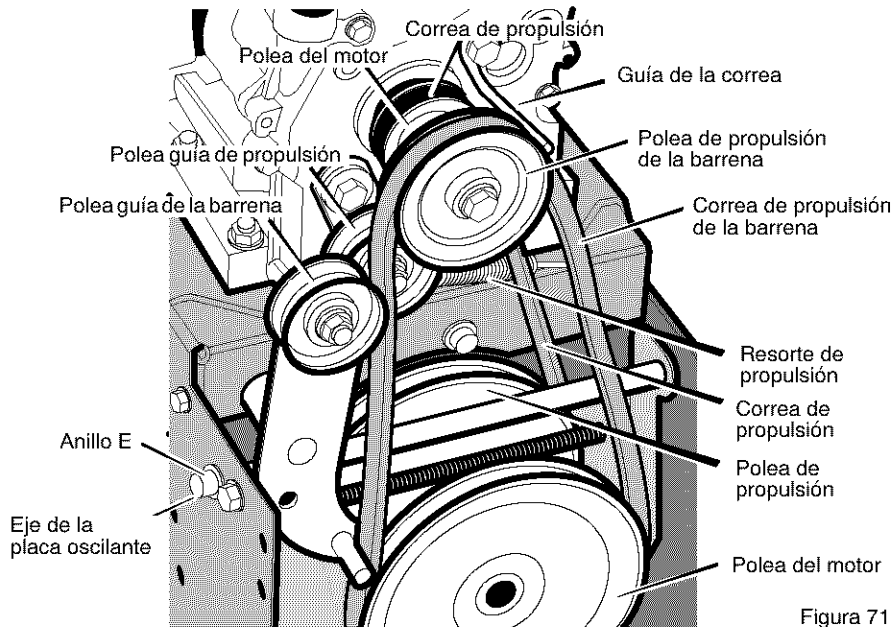


Figura 71

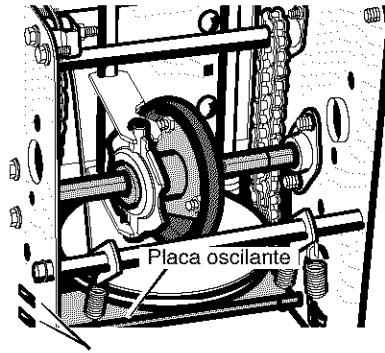
## SERVICIO Y AJUSTES

### Modo de desmontar la correa de propulsión

Si el quitanieves no se mueve hacia adelante, asegúrese de que la correa de propulsión no esté excesivamente desgastada o dañada. Si lo está, reemplácela de la siguiente manera.

1. Desconecte el cable de la bujía.
2. Quite la correa de propulsión de la barrena. Consulte "Modo de desmontar la correa de propulsión de la barrena" en la sección de mantenimiento.
3. Quite el **anillo e** de uno de los extremos del **eje de la placa oscilante**. Quite este **eje** para que la placa oscilante gire hacia adelante (Figura 71).
4. Quite el **resorte de propulsión**.
5. Quite la **correa de propulsión** vieja de la **polea de propulsión** y de la **polea del motor**. Instale una **correa de propulsión** original de fábrica de un distribuidor autorizado.
6. Instale la **correa de propulsión** en la **polea de propulsión** y en la **polea del motor**.
7. Asegúrese de que la **polea guía de propulsión** esté alineada con la **correa de propulsión**.
8. Conecte el **resorte de propulsión**.
9. Instale el **eje de la placa oscilante** y sujételo con el **anillo e**.
10. La parte inferior de la **placa oscilante** debe quedar entre las **marcas de alineamiento**. Asegúrese de que la **placa oscilante** esté bien

sujeta (Figura 72).



Marcas de alineamiento

Figura 72

**NOTA. Si la transmisión no funciona una vez que haya substituido la correa de propulsión, asegúrese de que la placa oscilante se encuentre entre las dos marcas de alineamiento.**

11. Instale y ajuste la **correa de propulsión de la barrena**. Consulte "Modo de desmontar la correa de propulsión de la barrena" en la sección de mantenimiento.
12. Ajuste la **guía de la correa**. Consulte "Modo de ajustar la guía de la correa" en la sección de mantenimiento.
13. Instale el **panel inferior** (Figura 70).
14. Apriete los **pernos** a ambos lados del **panel inferior**.
15. Instale la **cubierta de la correa**. Apriete el **tornillo** (Figura 68).
16. Revise los cables. Consulte "Modo de revisar y ajustar los cables" en la sección de mantenimiento.
17. Conecte el cable de la bujía.

## AJUSTES DE LA CORREA GUÍA

1. Quite el cable de la bujía.
2. Pida a alguien que ponga el propulsor de la barrena.
3. Mida la distancia entre la guía de la correa y la correa. La distancia debe ser de 1/8 de pulgada (3,175 mm) para la guía. (Figura 73).

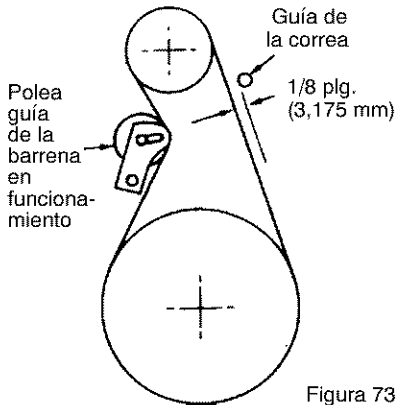


Figura 73

4. Si necesita hacer algún ajuste, afloje el perno de montaje de la guía de la correa. Ponga la guía en la posición correcta. Apriete el perno.
5. Vuelva a instalar la cubierta de la correa.
6. Vuelva a conectar el cable de la bujía.

## MODO DE REVISAR Y AJUSTAR LOS CABLES

Los cables se ajustan en la fábrica y no debería ser necesario ajustarlos. Si se se dan de sí o están flojos, ajústelos.

Siempre que cambie o ajuste las correas tendrá que ajustar los cables.

**Para asegurarse de que estén bien ajustados, suelte el accesorio "Z" en la palanca de propulsión (Figura 74)**

1. Mueva la palanca de propulsión todo lo que pueda hacia adelante (hasta que toque el tope de plástico). Sujete bien el cable, observe la posición del accesorio con respecto al agujero en la palanca de propulsión.

F-011047L

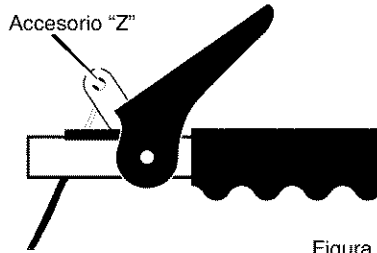


Figura 74

2. El centro del accesorio "Z" debe estar entre el centro y la parte superior del agujero en la palanca de propulsión. Ajuste el cable de propulsión de la barrena o el cable de propulsión de tracción de la siguiente forma.

### Ajuste del cable de propulsión de la barrena



**ADVERTENCIA: Vacíe la gasolina al aire libre, lejos de cualquier llama.**

1. Vacíe el tanque de gasolina. Levante el quitanieves con el extremo frontal del alojamiento de la barrena hacia abajo.
2. Meta el cable por el resorte hasta exponer la porción roscada del cable (Figura 75).

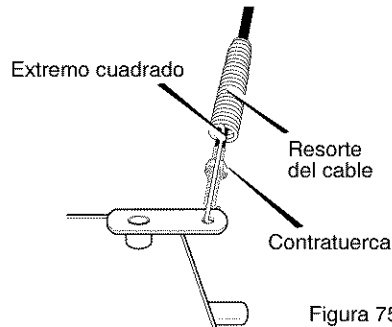


Figura 75

3. Sujete el extremo cuadrado de la parte roscada con unos alicates y ajuste la contratuerca hacia afuera o hacia adentro hasta conseguir el ajuste correcto. Vuelva a meter el cable por el resorte y conéctelo.

## SERVICIO Y AJUSTES

### AJUSTES DEL CABLE DE PROPULSIÓN



**ADVERTENCIA:** Vacíe la gasolina al aire libre, lejos de cualquier llama.

1. Vacíe el tanque de gasolina. Levante el quitanieves con el extremo frontal del alojamiento de la barrena hacia abajo.
2. Afloje los **pernos** a cada lado del **panel inferior** (Figura 76).

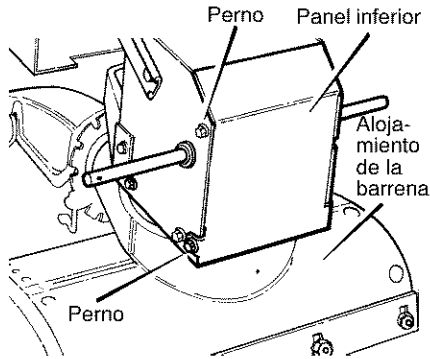


Figura 76

3. Quite el **panel inferior**.
4. Saque el **manguito del cable** del **soporte de ajuste del cable** (Figura 77).

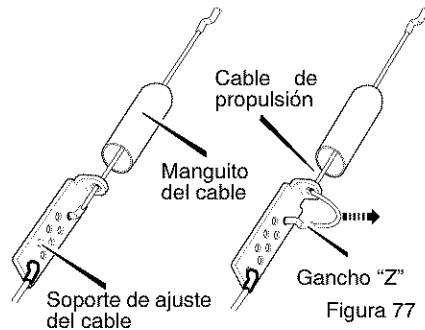
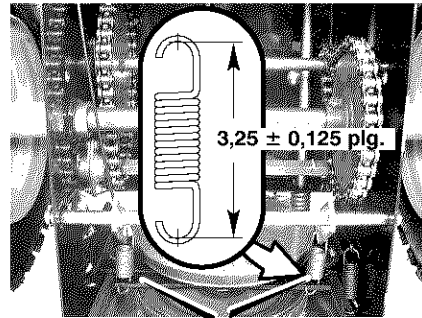


Figura 77

5. Meta la parte inferior del **cable de propulsión** por el **soporte de ajuste del cable** hasta que pueda sacar el **gancho "Z"**.
6. Saque el **gancho "Z"** del **soporte de ajuste del cable**. Mueva el **gancho "Z"** hacia abajo hasta el siguiente agujero de ajuste.
7. Jale el **cable de propulsión** por el **soporte de ajuste**.
8. Ponga el **manguito del cable** sobre el **soporte de ajuste del cable**.
9. Para revisar el ajuste, baje la palanca de propulsión y compruebe la longitud del **resorte de propulsión**. Si el ajuste es el correcto, la longitud del **resorte de propulsión** es  $3,25 \pm 0,125$  plg. (79,5 mm  $\pm$  3 mm) (Figura 78).



Resorte de propulsión Figura 78

## AJUSTE O REEMPLAZO DE LA RUEDA DE FRICCIÓN

### Revisión de la rueda de fricción

Si el quitanieves no avanza, revise la correa de propulsión por tracción, el cable de propulsión o la rueda de fricción. Si la rueda de fricción está gastada o dañada, hay que cambiarla. Ver "Reemplazo de la rueda de fricción" en esta sección. Si la rueda de fricción no está gastada o dañada, revísela de la siguiente manera.

1. Vacíe el tanque de gasolina. Ponga el quitanieves en posición vertical sobre la parte delantera del **alojamiento de la barrena** (consulte la Figura 79).

**ADVERTENCIA:** Vacíe el tanque de gasolina al aire libre, lejos de fuentes de ignición.

2. Desconecte el cable de la bujía.
3. Afloje los **pernos** a cada lado del **panel inferior** (consulte la Figura 79).
4. Quite el **panel inferior**.
5. Ponga la **palanca de cambio de velocidades** en la posición de máxima velocidad de avance.

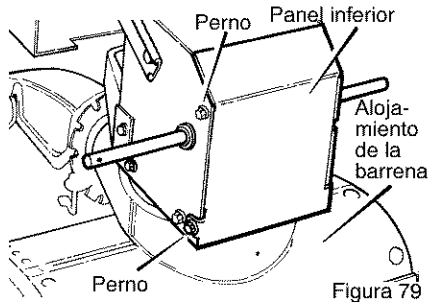


Figura 79

6. Tome nota de la posición de la **rueda de fricción**. En la posición correcta, la **rueda de fricción** quedará contra el **anillo de resorte**. Si la **rueda de fricción** no está en la posición correcta, ajústela de la siguiente manera (consulte la Figura 80).

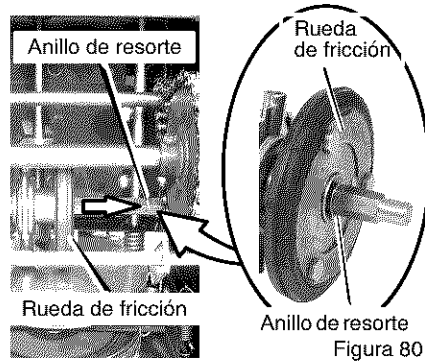


Figura 80

### Ajuste de la rueda de fricción

1. Coloque la **palanca de cambio de velocidades** en la posición de máxima velocidad de avance.
2. Afloje la **contratuerca** hexagonal en la **vara de control de velocidad**. Quite la **junta articulada** del **eje de cambios** (consulte la Figura 81).
3. Mueva la **rueda de fricción** contra el **anillo de resorte** (consulte la Figura 80).
4. Gire el **adaptador** hasta que la **junta articulada** quede alineada con el agujero de montaje en el **eje de cambios** (consulte la Figura 81). Una vez alineada, instale la **junta articulada** en el **eje de cambios**.
5. Apriete la **contratuerca**.
6. Instale el **panel inferior** (consulte la Figura 79).
7. Apriete los **pernos** que hay a cada lado del **panel inferior**.

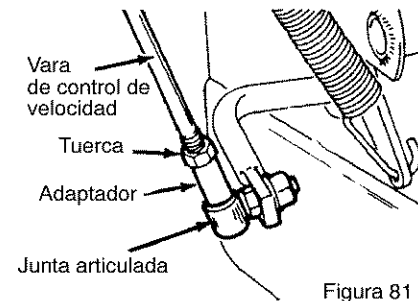


Figura 81



## SERVICIO Y AJUSTES

### Reemplazo de la rueda de fricción

Si la rueda de fricción está gastada o dañada, el quitanieves no avanza. La rueda de fricción se debe cambiar de la siguiente manera.

1. Vacíe el tanque de gasolina. Ponga el quitanieves en posición vertical sobre la parte delantera del **alojamiento de la barrena (4)**. (consulte la Figura 79).

**ADVERTENCIA:** Vacíe el tanque de gasolina al aire libre, lejos de fuentes de ignición.

2. Desconecte el cable de la bujía.
3. Quite los sujetadores que fijan la **llanta derecha**. Quite la **llanta derecha del eje** (consulte la Figura 82)
4. Afloje los **pernos** que haya a cada lado del **panel inferior**.
5. Quite el **panel inferior**.
6. Quite los sujetadores que fijan el **engranaje de propulsión** al eje (consulte la Figura 83).
7. Quite la **llanta izquierda**, el eje y el **engranaje de propulsión**.
8. Quite los cuatro **pernos** que retienen los **cojinetes** a cada lado del **eje hexagonal** (consulte la Figura 84).
9. Quite el **eje hexagonal** y los **cojinetes**.

**NOTA:** Fíjese especialmente en la posición de las arandelas en el eje hexagonal.

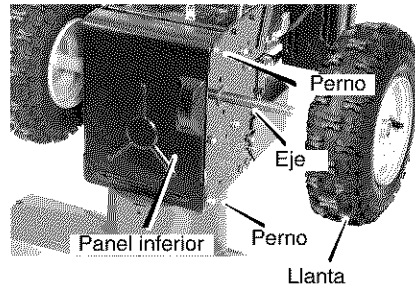
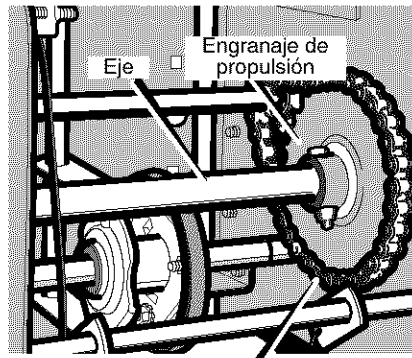


Figura 82



Cadena Figura 83

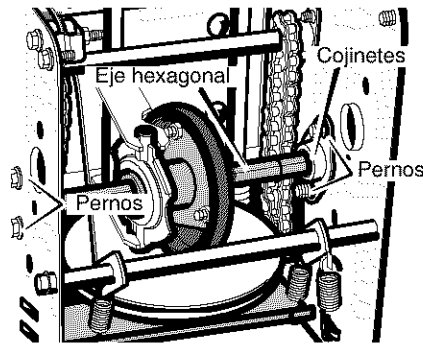


Figura 84

## SERVICIO Y AJUSTES

10. Quite los tres **sujetadores** que retienen la **rueda de fricción** en el **cubo** (consulte la Figura 85).
11. Quite la **rueda de fricción** del **cubo**. Deslice la **rueda de fricción** fuera del **eje hexagonal**.
12. Instale la nueva **rueda de fricción** en el **cubo** con los sujetadores que quitó antes.
13. Instale el **eje hexagonal** y los **cojinetes** con los cuatro pernos que quitó antes (consulte la Figura 86).

**Asegúrese de que haya instalado correctamente las arandelas en su posición original. Asimismo, compruebe que las dos arandelas estén correctamente alineadas con los brazos del impulsor.**

14. Asegúrese de que el **eje hexagonal** gira libremente.
15. Instale la llanta izquierda, el **eje** y el **engranaje de propulsión** con los sujetadores que quitó antes. Instale la **cadena** en el **engranaje de propulsión** (consulte la Figura 83).

16. Revise el ajuste de la **rueda de fricción**. Consulte "Ajuste de la rueda de fricción" en esta sección.
17. Asegúrese de que la **rueda de fricción** y la **placa del propulsor de disco** no tienen ni **grasa** ni **aceite**.
18. Instale el **panel inferior** (consulte la Figura 82).
19. Apriete los **pernos** a cada lado del **panel inferior**.
20. Instale la **llanta derecha** en el **eje** con los sujetadores que quitó antes.
21. Conecte el cable de la bujía.

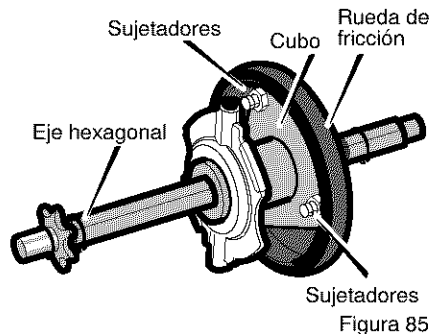


Figura 85

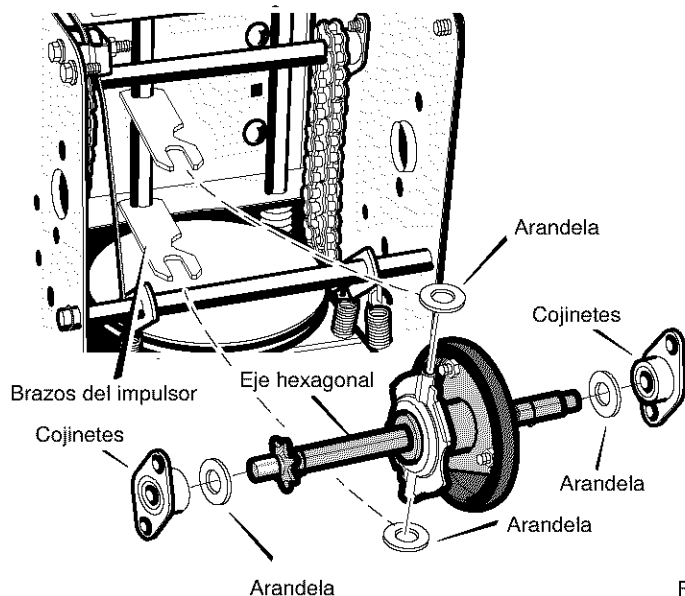


Figura 86

## CÓMO REEMPLAZAR LOS PERNOS DE SEGURIDAD DE LA BARRENA

Las barrenas están sujetas al eje de la barrena con pernos de seguridad especiales. Estos pernos están diseñados para romperse y proteger la máquina en caso de que un objeto se atasque en el alojamiento de la barrena. No use pernos duros pues perderá la protección de los pernos de seguridad.



**ADVERTENCIA:** Por razones de seguridad y para proteger la máquina, use solamente pernos de seguridad originales.

Para cambiar un perno de seguridad roto, proceda de la siguiente manera. En la bolsa de partes encontrará pernos de seguridad adicionales.

1. Mueva el control de aceleración a la posición de parada. Desenganche todos los controles.
2. Desconecte el cable de la bujía. Asegúrese de que todas las piezas móviles se hayan detenido.
3. Alinee el agujero de la barrena con el agujero del eje de la barrena. Instale el nuevo **pasador de seguridad y espaciador**. Vea la Figura 87.
4. Conecte el cable de la bujía.

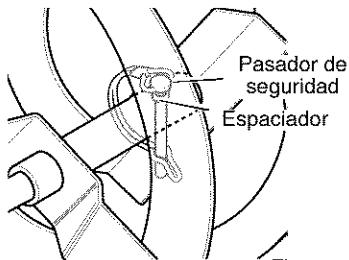


Figura 87

## AJUSTE DEL CARBURADOR

Si piensa que su carburador necesita ser ajustado, vaya al concesionario Craftsman más cercano. El rendimiento del motor no debe verse afectado en altitudes de hasta 2.100 m (7.000 pies). Para operar este motor en altitudes más elevadas, póngase en contacto con su concesionario Craftsman.

**IMPORTANTE:** Nunca experimente con el gobernador del motor, el cual está configurado de fábrica para la velocidad apropiada del motor. El exceso de velocidad del motor por encima del ajuste de alta velocidad de fábrica.

F-011047L

ca puede ser peligroso. Si usted cree que la velocidad alta del gobernador del motor necesita ser ajustada, póngase en contacto con su centro de servicio Craftsman más cercano, el cual tiene el equipo y la experiencia apropiados para efectuar los ajustes necesarios.

## AJUSTE O REEMPLAZO DE LA BUJÍA

**NOTA:** Este sistema de encendido por chispa cumple con todos los requisitos de las normas canadienses para equipo causante de interferencia.

**NOTA:** Este motor cumple con todas las restricciones actuales de Australia y Nueva Zelanda con respecto a la interferencia electromagnética.

Si tiene dificultades al arrancar el motor de su quitanieves, es posible que la bujía necesite ser ajustada o reemplazada. Reemplace la bujía si los electrodos están picados o quemados o si la porcelana está rajada. Siga las instrucciones que se presentan a continuación.

### Ajuste:

1. Limpie la **bujía** al raspando con cuidado los electrodos. (**No la limpie con chorro de arena ni use un cepillo de alambre**).
2. Asegúrese de que la bujía esté limpia y libre de materia extraña. Revise el entrehierro de los electrodos usando una lámina calibradora y si fuera necesario, restaure el entrehierro a 0,030 plg. Vea la Figura 88.

### Reemplazo:

1. Si necesita una bujía nueva, use solamente una bujía de reemplazo apropiada.
2. Establezca el entrehierro a 0,030 plg.
3. Antes de instalar la bujía recubra su rosca ligeramente con aceite o grasa que sea más fácil sacarla si fuera necesario.
4. Apriete la bujía firmemente en el motor.
5. Si tiene una llave dinamométrica, aplique un par de torsión de 18 a 23 pies-libra.

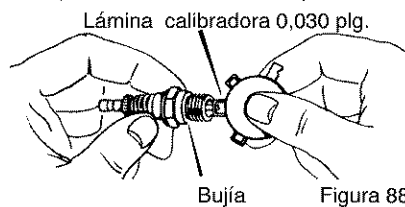


Figura 88

## ALMACENAMIENTO



**ADVERTENCIA:** Nunca guarde su quitanieves en ambientes interiores o en un área cerrada y mal ventilada. Si queda gasolina en el tanque, los vapores podrían alcanzar alguna llama expuesta, chispa o llama piloto de una caldera, calentador de agua, secadora de ropa, cigarrillo, etc.

**NOTA:** Para prevenir el daño al motor (si el quitanieves no se usa por más 30 días) prepárelo como se indica a continuación.

### QUITANIEVES

1. Limpie todo el quitanieves.
2. Lubrique todos los puntos de lubricación. Consulte la sección de **Mantenimiento**.
3. Asegúrese de que todas las tuercas, pernos y tornillos estén bien apretados. Inspeccione todas las piezas móviles visibles para detectar daños, roturas y desgaste. Haga los reemplazos necesarios.
4. Retoque todas las superficies oxidadas o que tengan la pintura saltada; líjelas suavemente antes de aplicar la pintura.
5. Cubra las piezas de metal expuesto del soplador del alojamiento de la barrena y del impulsor, con un anticorrosivo, tal como un lubricante en aerosol.

**NOTA:** Una revisión o afinamiento anual hecho en un Centro de servicio Craftsman es una buena manera de asegurar que su quitanieves le brinde el máximo rendimiento la siguiente temporada.

### MOTOR



**ADVERTENCIA:** Vacíe el tanque de gasolina al aire libre, alejado de fuego y llamas expuestas.

Deberá sacar la gasolina del tanque o prepararla para prevenir la formación de depósitos de goma en el tanque, filtro, manguera y carburador durante el almacenamiento. Además, durante el almacenamiento, la gasolina mezclada con alcohol que contiene etanol o metanol (llamada a veces gasohol) atrae agua, y ésta actúa sobre la gasolina formando ácidos que dañan el motor.

1. Para sacar toda la gasolina, mantenga el motor en marcha hasta que el tanque quede vacío y el motor se pare.
2. Si no quiere sacar la gasolina, use el estabilizador de combustible provisto con la unidad, o compre estabilizador de combustible Craftsman Núm. 33500. Añada el estabilizador de combustible a cualquier cantidad de gasolina que permanezca en el tanque para minimizar los depósitos de goma y ácido. Si el tanque está casi vacío, mezcle el estabilizador con gasolina fresca en un recipiente separado y añada un poco de esta mezcla al tanque.
3. Siempre siga las instrucciones en el envase del estabilizador. Luego de añadir el estabilizador, encienda el motor y déjelo correr por 10 minutos por lo menos para permitir que la mezcla alcance el carburador.
4. Cambie el aceite del motor
5. Lubrique el área del pistón/cilindro. Para hacerlo, saque primero la bujía y coloque una gota de aceite de motor limpio en el zócalo de la bujía. Luego cubra el zócalo con un paño para absorber el exceso de aceite. A continuación, jale la manija de arranque manual unas dos o tres veces para hacer girar el motor. Finalmente, reinstale la bujía y conecte el cable.

### OTRAS INDICACIONES

1. Si fuera posible, guarde su quitanieves dentro de un recinto, cubriéndolo para protegerlo del polvo y la suciedad.
2. Si debe dejar la máquina en el exterior, colóquela sobre bloques para asegurar que ninguna parte de la máquina esté en contacto directo con el suelo.
3. Cubra el quitanieves con una cubierta protectora apropiada que no retenga humedad. No use plástico.

**IMPORTANTE:** Nunca cubra el quitanieves mientras las áreas del motor y del escape estén todavía calientes.

## TABLA DE LOCALIZACIÓN DE AVERÍAS

PROBLEMA	CAUSA	CORRECCION
<b>Dificultad de arranque</b>	Bujía defectuosa.	Reemplace la bujía defectuosa.
	Agua o suciedad en el sistema de combustible.	Use el tazón de drenaje del carburador para vaciar y volver a llenar con combustible fresco.
<b>El motor funciona erráticamente</b>	Línea de combustible bloqueada, falta de combustible o mezcla de combustible vieja.	Limpie la línea de combustible; revise la existencia de combustible en el tanque, agregue gasolina fresca si es necesario.
<b>El motor se para</b>	Unidad funcionando con estrangulador activado.	Coloque la palanca de estrangulador en la posición DESACTIVADO.
<b>El motor funciona erráticamente; pérdida de potencia</b>	Agua o suciedad en el sistema de combustible.	Use el tazón de drenaje del carburador para vaciar y volver a llenar con combustible fresco.
<b>Vibración excesiva</b>	Piezas sueltas; propulsor dañado.	Pare el motor inmediatamente y desconecte el cable de la bujía. Apriete todos los pernos y haga todas las reparaciones necesarias. Si la vibración continúa, haga revisar la unidad por un técnico especializado de Craftsman.
<b>La unidad no se puede propulsar a sí misma</b>	Correa de propulsión floja o dañada.	Reemplace la correa de propulsión.
	Ajuste incorrecto del cable de propulsión por tracción.	Ajuste cable de propulsión por tracción.
	Rueda de fricción gastada o dañada.	Reemplace la rueda de fricción.
<b>La unidad no descarga la nieve</b>	Correa de propulsión de la barrena suelta o dañada.	Reemplace la correa de propulsión de la barrena.
	El cable de control de la barrena no está ajustado correctamente.	Ajuste el cable de control de la barrena.
	Perno de seguridad roto.	Reemplace el perno de seguridad.
	Canal de descarga obstruido	Pare el motor inmediatamente y desconecte el cable de la bujía. Limpie el canal de descarga y la parte de adentro del alojamiento de la barrena.
	Objeto extraño atascado en la barrena.	Pare el motor inmediatamente y desconecte el cable de la bujía. Retire el objeto atascado en la barrena.

## **SEARS, ROEBUCK AND CO.**

### **Garantía limitada de cumplimiento con el Sistema Federal de control de emisiones y con el sistema de control de emisiones del Estado de California Motores pequeños no aptos para carretera (off-road)**

#### **CONTROL DE EMISIONES DE CALIFORNIA Y DE LA AGENCIA DE PROTECCIÓN AMBIENTAL (EPA) DE E.U.A. - DECLARACIÓN DE LA GARANTÍA**

La Agencia de Protección Ambiental de los Estados Unidos (en lo sucesivo "EPA"), el Consejo de California para los Recursos del Aire (en lo sucesivo "CARB") y Sears, Roebuck and Co. tienen el placer de explicar lo que es la Garantía Federal y de California para Sistemas de Control de Emisiones de su nuevo motor pequeño para vehículos off-road. En California, los motores pequeños para vehículos off-road de modelo 1995 y modelos de años posteriores deben ser diseñados, contruidos y equipados para cumplir con las estrictas normas anti contaminación del Estado. En otros estados, los motores modelo 1997 y modelos de años posteriores deben estar diseñados, contruidos y equipados, al momento de su venta, para que cumplan con las disposiciones de la EPA acerca de motores pequeños para vehículos off-road. Sears, Roebuck and Co. garantizará el sistema para el control de emisiones de su motor pequeño para vehículos off-road por los periodos de tiempo que se mencionan más adelante, con tal que su motor pequeño para vehículos off-road no haya sufrido algún abuso, negligencia, modificación no aprobada o mantenimiento indebido.

Es probable que su sistema para el control de emisiones incluya partes como el carburador, el sistema de encendido y el sistema de escape. También es posible que se incluya el sistema de descompresión y otros ensamblajes relacionados con emisiones.

Cuando surja una condición protegida por la garantía, Sears, Roebuck and Co. reparará su motor pequeño para vehículos off-road sin costo alguno para usted por concepto de diagnóstico, partes y mano de obra.

#### **SISTEMA PARA EL CONTROL DE EMISIONES DEL FABRICANTE - COBERTURA DE LA GARANTÍA**

Los sistemas para el control de emisiones modelo 1995 y modelos de años posteriores de motores pequeños para vehículos off-road en California están garantizados por dos años, tal y como se menciona en la presente garantía. En otros estados, los motores modelo 1997 y modelos de años posteriores también están garantizados por dos años. En caso de que, durante dicho periodo de la garantía, cualquier parte de su motor relacionada con emisiones esté defectuosa en sus materiales o hechura, Sears, Roebuck and Co. reparará o cambiará dicha parte.

#### **RESPONSABILIDADES DEL PROPIETARIO DE LA GARANTÍA**

Como propietario del motor pequeño para vehículos off-road usted es responsable de que se lleve a cabo el mantenimiento requerido que se menciona en el Manual del Propietario, pero Sears, Roebuck and Co. no negará la garantía únicamente debido a la falta de un recibo o a que usted no proporcione una prueba escrita de que se ha llevado a cabo el mantenimiento programado.

No obstante, usted, como propietario del motor pequeño para vehículos off-road, deberá estar consciente de que Sears, Roebuck and Co. le puede negar la cobertura de la garantía si su motor o alguna parte del mismo ha fallado debido a un abuso, negligencia, mantenimiento inadecuado o modificaciones no aprobadas.

Usted es responsable de presentar su motor pequeño para vehículos off-road en el Taller Autorizado de Servicio de Sears, Roebuck and Co. en cuanto surja el problema. Las reparaciones bajo la garantía deben llevarse a cabo dentro de un periodo de tiempo razonable que no exceda de 30 días.

Se puede programar el servicio de garantía llamando al Taller Autorizado de Servicio de

Sears, Roebuck and Co. o a Sears, Roebuck and Co. al 1-800-473-7247 (llamada gratuita en E.U.A.).

### NOTA IMPORTANTE

Esta declaración de la garantía explica los derechos y las obligaciones que usted tiene de conformidad con la Garantía del Sistema para el Control de Emisiones (en lo sucesivo la "Garantía SCE"), la cual Sears, Roebuck and Co. le proporciona de conformidad con las leyes de California. Véase también las Garantías Limitadas de Sears, Roebuck and Co. que se adjuntan a la Garantía SCE en una hoja por separado y que también le proporciona Sears, Roebuck and Co. La Garantía SCE únicamente se aplica en el sistema para el control de emisiones de su motor nuevo. Hasta el punto en donde no haya ningún conflicto en términos entre la Garantía SCE y la Garantía de Sears, Roebuck and Co., la Garantía SCE aplicará para cualquier circunstancia a excepción de aquella en que la Garantía de Sears, Roebuck and Co. pueda proporcionar un periodo de garantía más largo. La Garantía SCE y la Garantía de Sears, Roebuck and Co. describen importantes derechos y obligaciones que usted tiene con respecto a su motor nuevo.

Sólo se puede llevar a cabo el servicio de garantía en un Taller Autorizado de Servicio de Sears, Roebuck and Co. Al momento de solicitar un servicio de garantía, se debe presentar una prueba de la fecha de compra por parte del comprador original. El comprador pagará cualquier cargo por concepto de llamadas de servicio y/o transportación de productos desde y para el lugar en donde se lleve a cabo el trabajo de inspección y/o garantía. El comprador será responsable de cualquier daño o pérdida en el que se incurra con relación a la transportación de cualquier motor o cualquier parte del mismo que se presente para inspección y/o trabajo de garantía.

Si tiene alguna pregunta con relación a sus derechos y responsabilidades, deberá llamar a Sears, Roebuck and Co. al 1-800-473-7247.

### GARANTÍA DEL SISTEMA PARA EL CONTROL DE EMISIONES

Garantía del Sistema para el Control de Emisiones ("Garantía SCE") de motores pequeños para vehículos off-road modelo 1995 y modelos de años posteriores en California (para otros estados, motores modelo 1997 y años posteriores):

F-011047L

**A. CAMPO DE APLICACIÓN:** Esta garantía deberá aplicarse a los motores pequeños para vehículos off-road modelo 1995 y modelos de años posteriores en California (para otros estados, motores modelo 1997 y modelos de años posteriores). El Periodo de la Garantía SCE iniciará en la fecha de entrega del nuevo motor o equipo al comprador original y continuará durante los siguientes 24 meses consecutivos.

**B. COBERTURA GENERAL DE LA GARANTÍA DEL SISTEMA PARA EL CONTROL DE EMISIONES:** Sears, Roebuck and Co. garantiza al comprador original del nuevo motor o equipo y a cada comprador subsecuente que su motor pequeño para vehículos off-road está:

1. Diseñado, construido y equipado para que cumpla con todas las disposiciones aplicables adoptadas por el Consejo para los Recursos del Aire de conformidad con su autoridad especificada en los Capítulos 1 y 2, Parte 5, División 26 del Código de Salud y Seguridad, y
2. Libre de defectos en sus materiales y mano de obra, los cuales, en cualquier momento durante el Periodo de la Garantía SCE, cause la falla de una parte relacionada con emisiones y que esté bajo la garantía en cuanto a que no sea idéntica en sus materiales a la parte descrita en la solicitud de motor del fabricante para su certificación.

C. La Garantía SCE sólo atañe a las partes de su motor relacionadas con emisiones de la siguiente manera:

1. Cualquier parte relacionada con emisiones que no se especifique como de cambio, tal y como se requiere en el mantenimiento especificado en el Manual del Propietario, deberá garantizarse por el Periodo de la Garantía SCE. Si dicha parte falla durante el Periodo de la Garantía SCE, Sears, Roebuck and Co. la reparará o cambiará de acuerdo con la Subsección 4 que se menciona más adelante. Cualquier parte reparada o cambiada de conformidad con la Garantía SCE deberá estar garantizada por el resto del Periodo de la misma.
2. Cualquier parte garantizada y relacionada con emisiones que esté especificada sólo para inspecciones regulares conforme al Manual del Propietario deberá estar garantizada por el Periodo de la Garantía SCE. Una declaración en dichas instrucciones por escrito a efecto de "reparar o cambiar tal y como sea necesario" no reducirá el Periodo de la Garantía SCE. Dicha parte reparada o cambiada conforme a la

Garantía SCE deberá garantizarse por el resto del Periodo de la misma.

3. Cualquier parte garantizada y relacionada con emisiones que se especifique para cambio, de conformidad con el Manual del Propietario, deberá garantizarse por el periodo de tiempo previo al primer punto de cambio de esa parte. Si la parte falla antes del primer cambio programado, Sears, Roebuck and Co. reparará o cambiará esa parte de acuerdo con la Subsección 4 que se menciona más adelante. Cualquier parte relacionada con emisiones que se repare o cambie de conformidad con la Garantía SCE deberá estar garantizada por el resto del Periodo de la misma previo al primer punto de cambio programado de esa parte relacionada con emisiones.

4. La reparación o el cambio de cualquier parte garantizada y relacionada con emisiones de conformidad con esta Garantía SCE se deberá llevar a cabo, sin cargo alguno para el propietario, en un Taller Autorizado de Servicio de Sears, Roebuck and Co.

5. No se cargará al propietario el costo por trabajo de diagnóstico, el cual lleva a la determinación de que una parte protegida por la Garantía SCE sí está defectuosa, provisto que dicho trabajo de diagnóstico se lleve a cabo en un Taller Autorizado de Servicio de Sears, Roebuck and Co.

6. Sears, Roebuck and Co. será responsable de daños a otros componentes originales del motor o modificaciones aprobadas que probablemente sean causados por una falla comprendida en la garantía de una parte relacionada con emisiones cubierta por la Garantía SCE.

7. Durante el Periodo de la Garantía SCE, Sears, Roebuck and Co. deberá conservar un suministro de partes garantizadas y relacionadas con emisiones que sea suficiente para cumplir la demanda esperada de esas partes relacionadas con emisiones.

8. Se puede utilizar cualquier parte de repuesto relacionada con emisiones autorizada y

aprobada por Sears, Roebuck and Co. para utilizarse en el desempeño de cualquier mantenimiento o cambio de la Garantía SCE, la cual se proporcionará sin cargo alguno para el propietario. Dicho uso no reducirá las obligaciones de Sears, Roebuck and Co. conforme a la Garantía SCE.

9. Las partes que se agreguen o modifiquen sin aprobación no se podrán utilizar para modificar o reparar un motor de Sears, Roebuck and Co. Dicho uso anula esta Garantía SCE y conformará las bases suficientes para rechazar la demanda de una Garantía SCE. Sears, Roebuck and Co. no será responsable, conforme a esta garantía, por las fallas de cualquier parte garantizada de un motor de Sears, Roebuck and Co. causadas por el uso de dicha parte agregada o modificada sin aprobación.

#### **LAS PARTES RELACIONADAS CON EMISIONES INCLUYEN A LAS SIGUIENTES:**

1. Ensamblaje del carburador y sus componentes internos
  - a) Filtro de combustible
  - b) Empaques (juntas) del carburador
  - c) Tubo de entrada
2. Ensamblaje del depurador de aire
  - a) Elemento del filtro de aire
3. Sistema de encendido, que incluye:
  - a) Bujía de encendido
  - b) Módulo de encendido
  - c) Ensamblaje del volante
4. Silenciador catalítico (si está equipado)
  - a) Empaque del silenciador (si está equipado)
  - b) Colector de escape (si está equipado)
5. Ensamblaje del respiradero del cárter del cigüeñal y sus componentes
  - a) Tubo de conexión del respiradero

10/22/99 EPA/CARB

**Sears, Roebuck and Co., Hoffman Estates, IL 60179 U.S.A.**



# Get it fixed, at your home or ours!

For repair of major brand appliances **in your own home...**  
no matter who made it, no matter who sold it!

**1-800-4-MY-HOME<sup>SM</sup>** Anytime, day or night  
(1-800-469-4663)

[www.sears.com](http://www.sears.com)

To bring in products such as vacuums,  
lawn equipment and electronics for repair, call for  
the location of your nearest **Sears Parts & Repair Center.**

**1-800-488-1222** Anytime, day or night

[www.sears.com](http://www.sears.com)

For the replacement parts, accessories and owner's manuals  
that you need to do-it-yourself, call **Sears PartsDirect<sup>SM</sup>!**

**1-800-366-PART** 6 a.m. – 11 p.m. CST,  
(1-800-366-7278) 7 days a week

[www.sears.com/partsdirect](http://www.sears.com/partsdirect)

To purchase or inquire about a Sears Service Agreement:

**1-800-827-6655**

7 a.m. – 5 p.m. CST, Mon. – Sat.

Para pedir servicio de reparación a domicilio,  
y para ordenar piezas con entrega a domicilio:

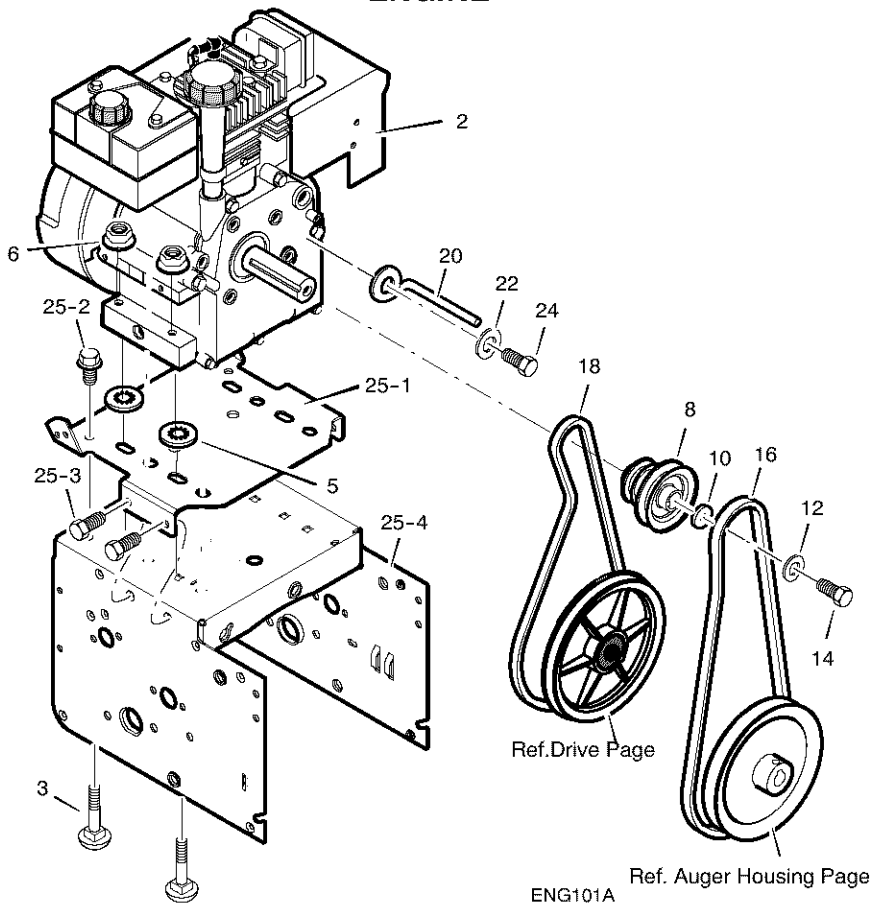
**1-888-SU-HOGAR<sup>SM</sup>**  
(1-888-784-6427)

Au Canada pour service en français:

**1-877-LE-FOYER<sup>SM</sup>**  
(1-877-533-6937)



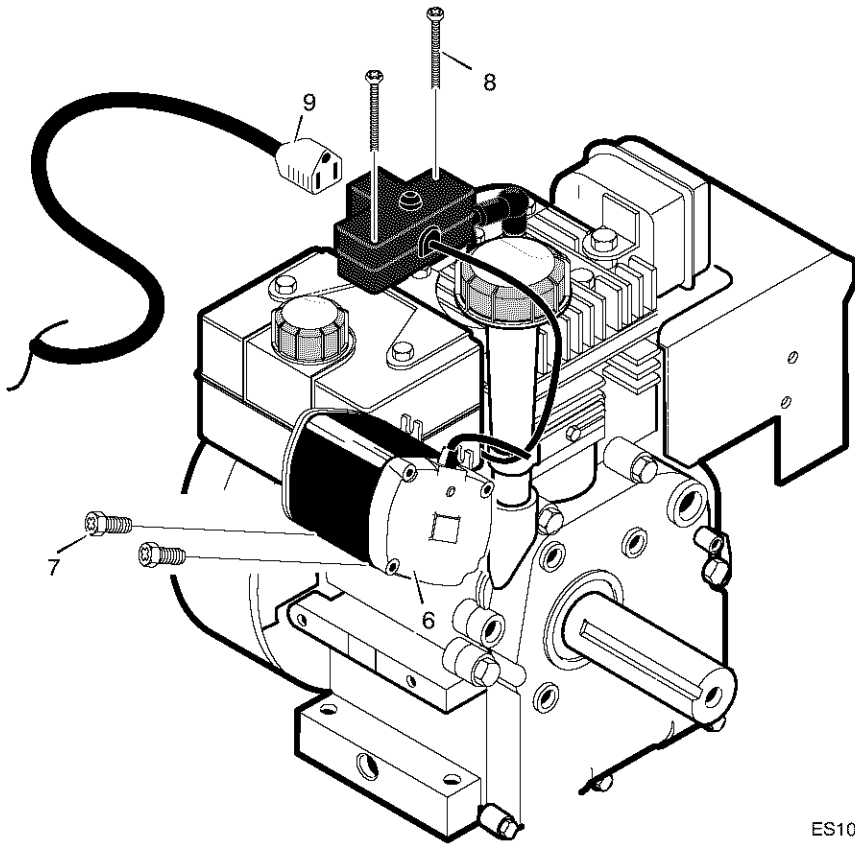
# CRAFTSMAN 30" 11HP SNOW THROWER 536.881112 ENGINE



Key No.	Part No.	Description
2	-----	ENGINE
3	2x97	BOLT, CARRIAGE
5	28x76	RETAINER, PUSH
6	710026	NUT
8	1501109	PULLEY, ENGINE
10	710247	WASHER
12	71063	WASHER
14	71015	SCREW
16	585416	BELT, V 4L35.6 LG
18	579932	BELT, V 3L 33.13LG

Key No.	Part No.	Description
20	1501201	GUIDE, ROD BELT
22	71060	WASHER, SPTLK
24	710097	SCREW
25	-----	FRAME ASSEMBLY
25-1	1501062E549	PLATE, ENGINE
25-2	310169	SCREW
25-3	780055	SCREW
25-4	1501049E549	MOTOR BOX
--	F-011047L	OWNER'S MANUAL

**CRAFTSMAN 30" 11HP SNOW THROWER 536.881112  
ELECTRIC STARTER**

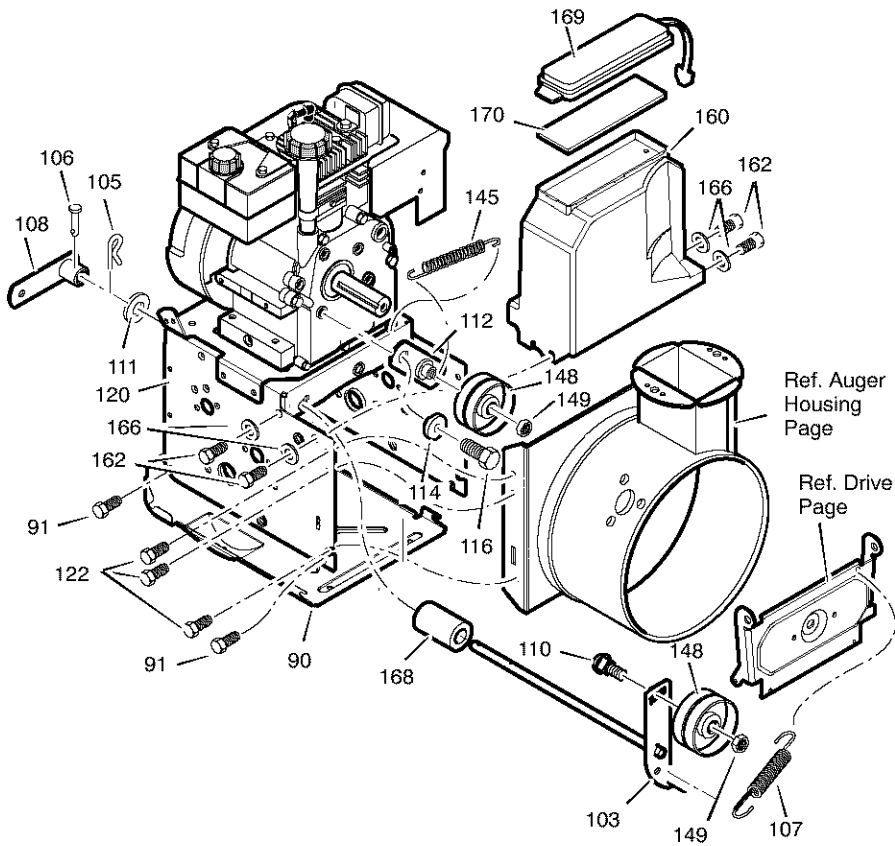


ES100A

Key No.	Part No.	Description
6	6218	MOTOR, STARTER
7	6216	SCREW
8	6217	SCREW
9	6219	CORD, STARTER

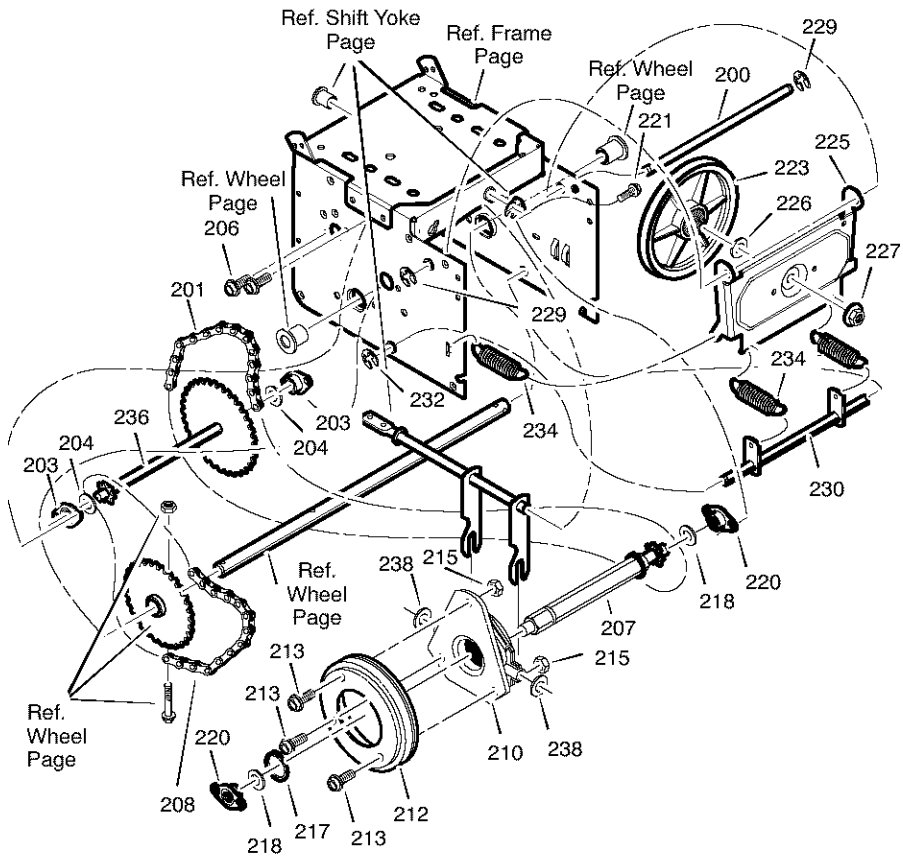
# CRAFTSMAN 30" 11HP SNOW THROWER 536.881112

## FRAME



Key No.	Part No.	Description	Key No.	Part No.	Description
90	1501055E701	COVER, BOTTOM	118	71060	WASHER, SPLIT
91	310169	SCREW	122	780055	SCREW, TAP
103	1501106 YZ	IDLER, AUGER	145	53704	SPRING, IDLER
105	711682	PIN, HAIR	148	50793	PULLEY, IDLER
106	761761	PIN, KLIK	149	590	NUT, JAM
107	165x159	SPRING, TENSION	160	1501052	COVER, BELT
108	761675 YZ	ATTACH, SPRING	162	310169	SCREW, TAP
110	585781	BOLT, CARR.	166	71067	WASHER, FLAT
111	711617	WASHER, FLAT	168	1501200	SPACER
112	1501112 YZ	BRACKET, IDLER	169	760539	LID, TOOL BOX
114	1501065	BUSHING	170	761187	PAD, FOAM
116	710097	SCREW			

# CRAFTSMAN 30" 11HP SNOW THROWER 536.881112 DRIVE



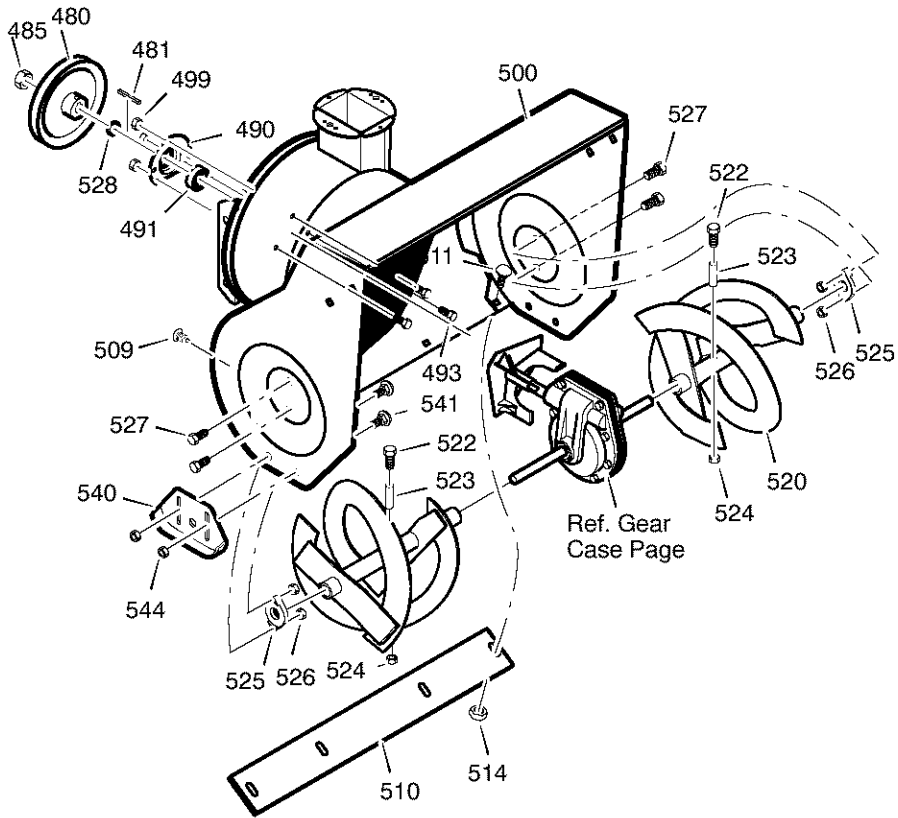
DR100A

**CRAFTSMAN 30" 11HP SNOW THROWER 536.881112  
DRIVE**

Key No.	Part No.	Description
200	1501092 YZ	LF AXLE, SWING PLATE YZ
201	579851	CHAIN, ROLLER #42x19.00
203	334163	BEARING AND RETAINER, ASSY
204	579858	WASHER
206	780055	SCREW, TAP 5/16-18x0.5
207	1501100	ASSY, HEX SHAFT
208	579868	CHAIN, ROLLER #36x18.00 LG
210	337029	BEARING, TRUNION CLUTCH R
212	53830	WHEEL, FRICTION DISC
213	11871	SCREW, 1/4-20 x 0.63
215	303008	NUT, KEPS HEX 1/4-20
217	579859	RING, RETEXT
218	579858	WASHER
220	334163	BEARING AND RETAINER, ASSY
221	780055	SCREW, TAP 5/16-18 x .5
223	1501115	ASSY, FRICTION PULLEY
225	1501057 YZ	LF PLATE, SWINGING YZ
226	1501158	SPACER, FRICTION PULLEY
227	15X114	NUT, FLANGE LOCK 3/8-24
229	11X30	RETAINER, RING
230	1501107 YZ	LF ASSY, SPRING LINK YZ
232	11X30	RETAINER, RING
234	165X112	SPRING, EXTENSION
236	1501090	WLD, INTERMED SPROCKET 33T/7
238	71074	WASHER, FLAT
		78

F-011047L

**CRAFTSMAN 30" 11HP SNOW THROWER 536.881112  
AUGER HOUSING**

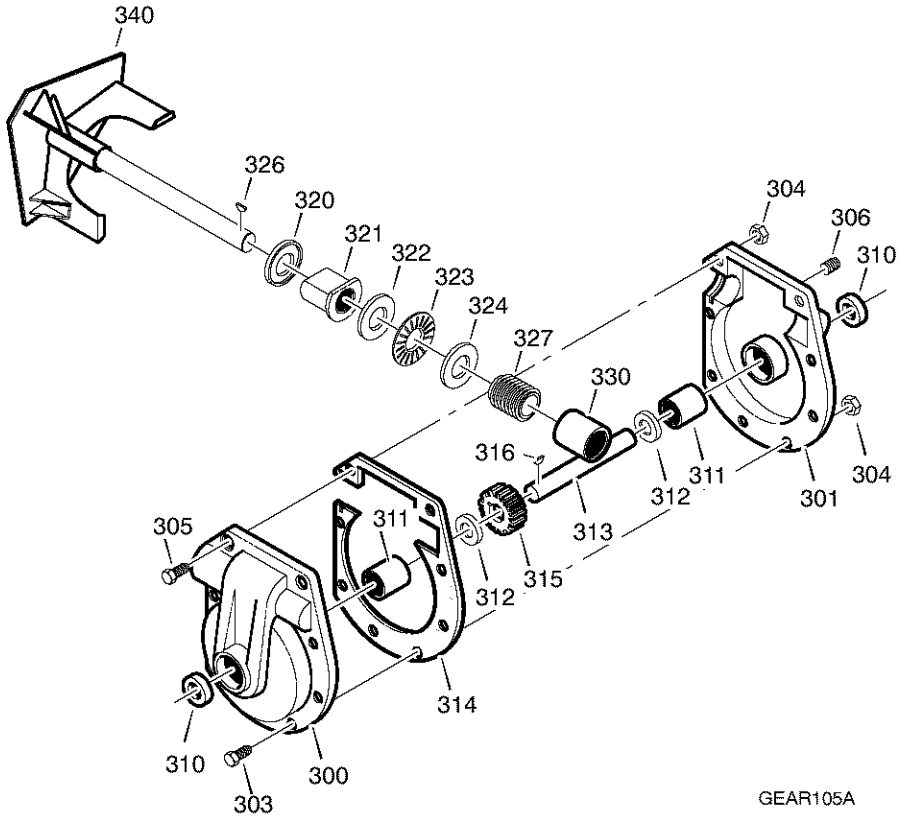


**CRAFTSMAN 30" 11HP SNOW THROWER 536.881112  
AUGER HOUSING**

<b>Key No.</b>	<b>Part No.</b>	<b>Description</b>
480	583146	PULLEY, 4L 8.40 OD
481	577400	SCREW, 5/16-18X.63
482	2001022	KEY, SQUARE 3/16 X 3/4
484	15x112	Nut, 1/4" -24
485	1501158	SPACER, FRICTION PULLEY
490	582957 YZ	RETAINER, BALL BRNG
491	43846	BEARING, BALL
493	1X92	BOLT, HEX 5/16-18X .50
499	710026	NUT, 5/16-18 HEXWDFLLK
500	1501130E549	HOUSING, ASSY 30"
502	309235	FASTENER, RATCHET
509	760040	PLUG, FASTENER
510	760659E701	BLADE, SCRAPER 30"
511	340720	BOLT, 5/16"-18X.75
514	710026	NUT, 5/16-18
520	760589E701	AUGER, ASSY, LH
521	760590E701	AUGER, ASSY, RH
522	9524	SCREWE, 1/4"-20X1.75"
523	3943	SPACER, SLEEVE
524	73826	NUT, 1/4-20
525	53757	BEARING, FLANGE
526	711862	NUT, 5/16-18
527	70984	SCREW, 5/16-18X .75
540	762376E701	SKID, HEIGHT ADJUST
541	340720	BOLT, 5/16-18 X .75
544	710026	NUT, 5/16-18



# CRAFTSMAN 30" 11HP SNOW THROWER 536.881112 GEAR CASE

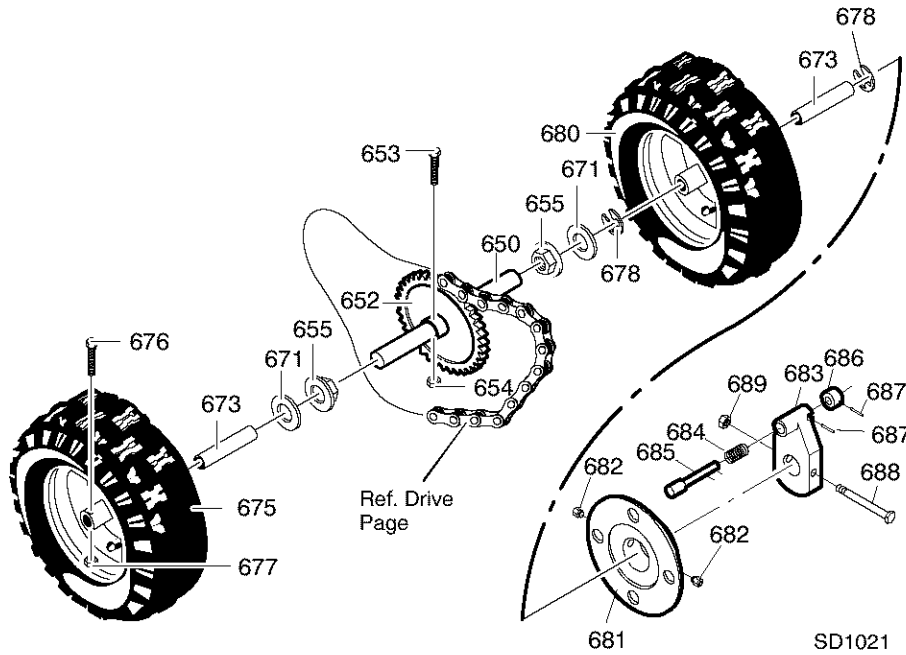


GEAR105A

Key No.	Part No.	Description	Key No.	Part No.	Description
300	896	CASE, GEAR, RH	316	73905	KEY, WOODRUFF
301	895	CASE, GEAR, LH	320	53737	BRNG, FL
303	910828	SCREW, 1/4-20X.75	321	583126	SHAFT, INPUT
304	71100	NUT, 1/4-20	322	48275	COLLAR, THRUST
305	330434	NUT, KEPS	323	50684	PIN, SPRING
306	53749	SCREW	324	48275	WASHER, FLAT
310	780151	SEAL, OIL	326	50795	BRNG, FL
311	53743	BEARING, FL	327	53732	SEAL, OIL
312	53748	WASHER, FLAT	330	53731	BEARING
313	760527	SHAFT, OUTPUT	340	1501147E701	IMPELLER
314	897	GASKET	*	333431	10oz LUBRIPLATE
315	53730	WORM GEAR			

\*(NOT ILLUSTRATED)

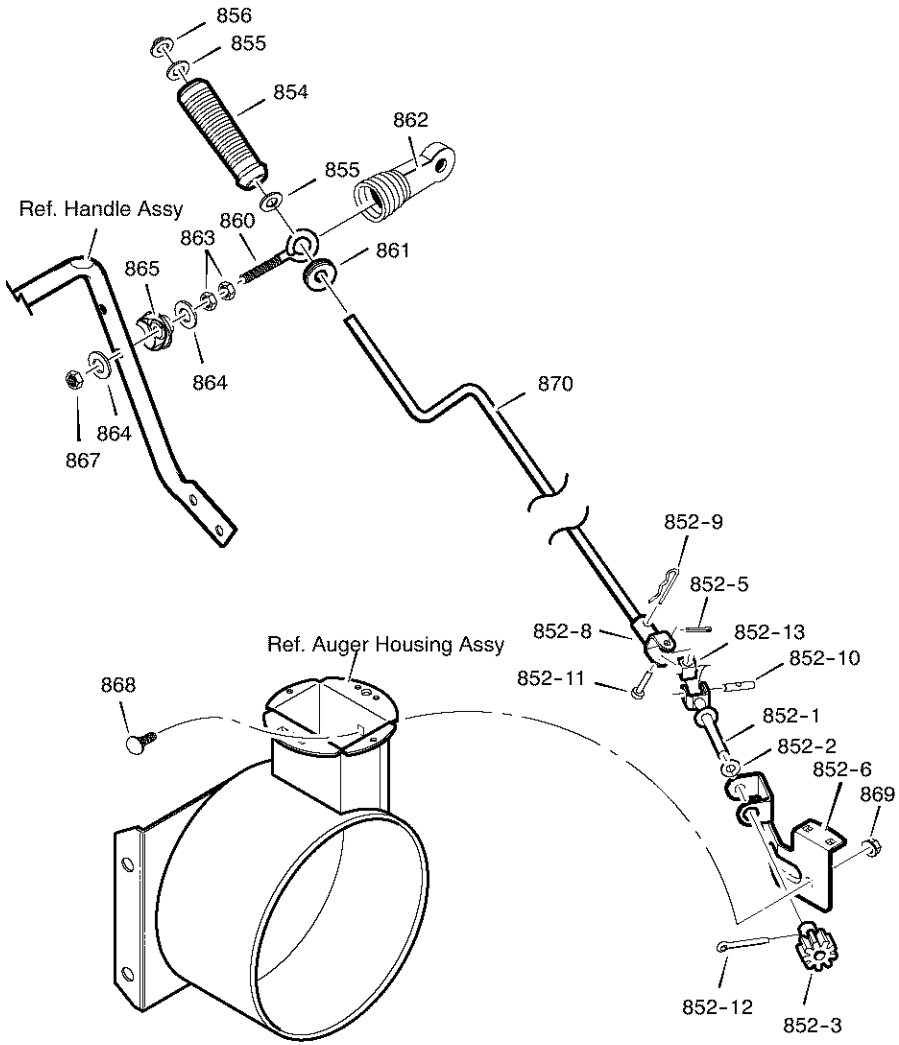
**CRAFTSMAN 30" 11HP SNOW THROWER 536.881112  
WHEEL ASSEMBLY**



SD1021

Key No.	Part No.	Description
650	1501104	SHAFT, AXLE
652	1501089	SPRKT & HUB
653	1x186	SCREW, 1/4-20X1.75
654	780029	NUT, 1/4-20 HEX NYLOCK
655	1501114	BEARING, AXLE
671	712120	FLATWASHER
673	1501139	BUSHING, WHEEL
675	1501020	TIRE & RIM, RIGHT
676	577015	SCREW, 1/4-20X1.75
677	780029	NUT, 1/4-20 HEX NYLOCK
678	239	RING, RET
680	1501019	TIRE & RIM, LEFT
681	1501032E701	DISC, WHEEL
682	2001086	SCREW
683	1501031E701	HUB, WHEEL LOCK
684	164X34	SPRING, COMPRESSION
685	1501033	PIN, LOCK
686	1501034	KNOB
687	032X78	PIN
688	73839	SCREW
689	780029	NUT

**CRAFTSMAN 30" 11HP SNOW THROWER 536.881112**  
**CHUTE ROD**

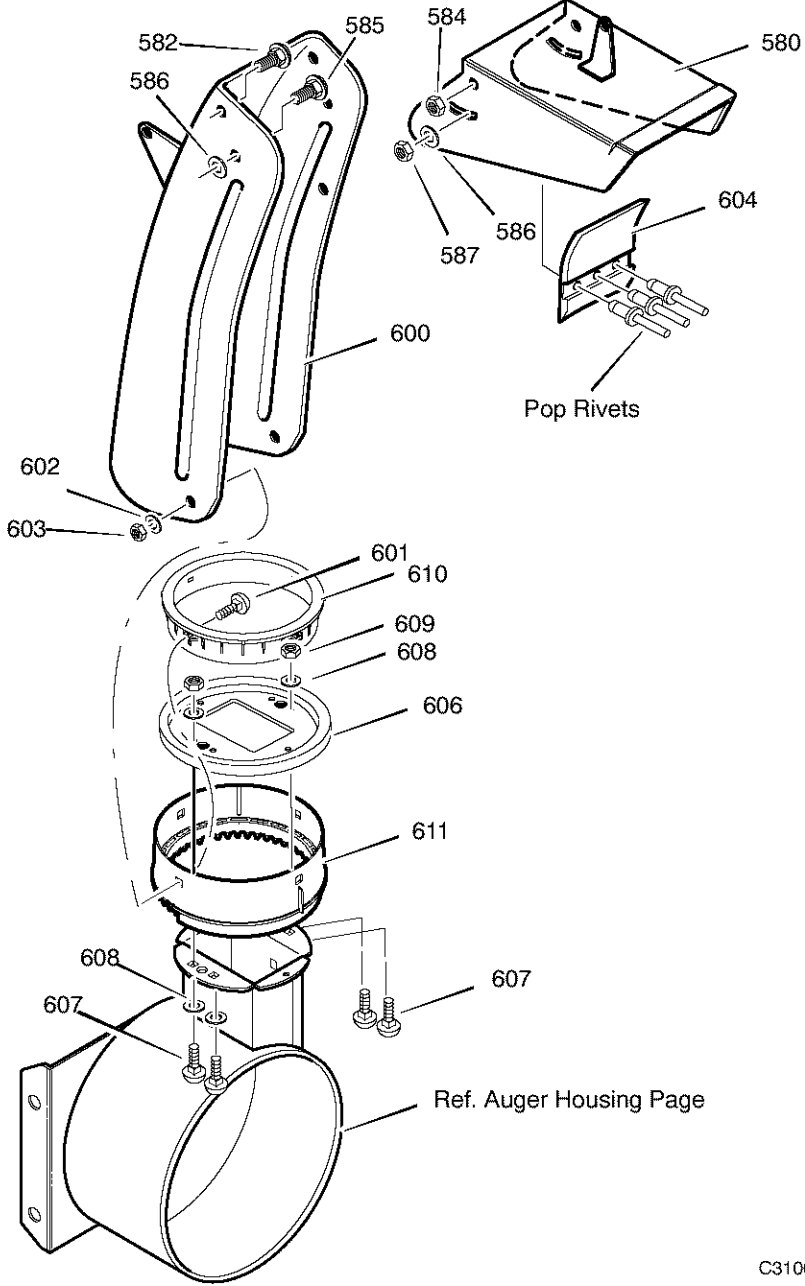


CROD100A

**CRAFTSMAN 30" 11HP SNOW THROWER 536.881112  
CHUTE ROD**

<b>Key No.</b>	<b>Part No.</b>	<b>Description</b>
852-1	1501076 YZ	ASSEMBLY, YOKE & ROD
852-2	313431	WASHER, CURVED SPRING
852-3	1501067	GEAR, CHUTE ROTATION 9T
852-5	71082	PIN, COTTER
852-6	1501051V701	BRACKET, GEAR MOUNT
852-7	579493	PIN, COTTER
852-8	1501075 YZ	ASSEMBLY, YOKE ADAPTER YZ
852-9	711682	PIN, HAIR
852-10	578060	PIN, UNIVERSAL JOINT
852-11	578309	PIN, CLEVIS
852-12	579493	PIN, COTTER
852-13	578063	HOUSING, UNIVERSAL
854	307399	HANDLE, CRANK
855	309312	FLATWASHER
856	73664	NUT, PUSH
860	581618	EYE BOLT 3/8-16X6.00
861	148	GROMMET, EYE BOLT
862	308145	BOOT, EYE BOLT
863	71045	NUT, 3/8-16 HEXJAM
864	71072	FLATWASHER .406X.81X.066
865	309344	ADAPTER, BOOT
866	71072	WASHER
867	71046	NUT, 3/8-16 HEXNYL
868	2X98	BOLT, CARRIAGE 1/4-20 X 1.00
869	780029	NUT, 1/4-20
870	1501074	CRANK, ASSY CHUTE

# CRAFTSMAN 30" 11HP SNOW THROWER 536.881112 DISCHARGE CHUTE

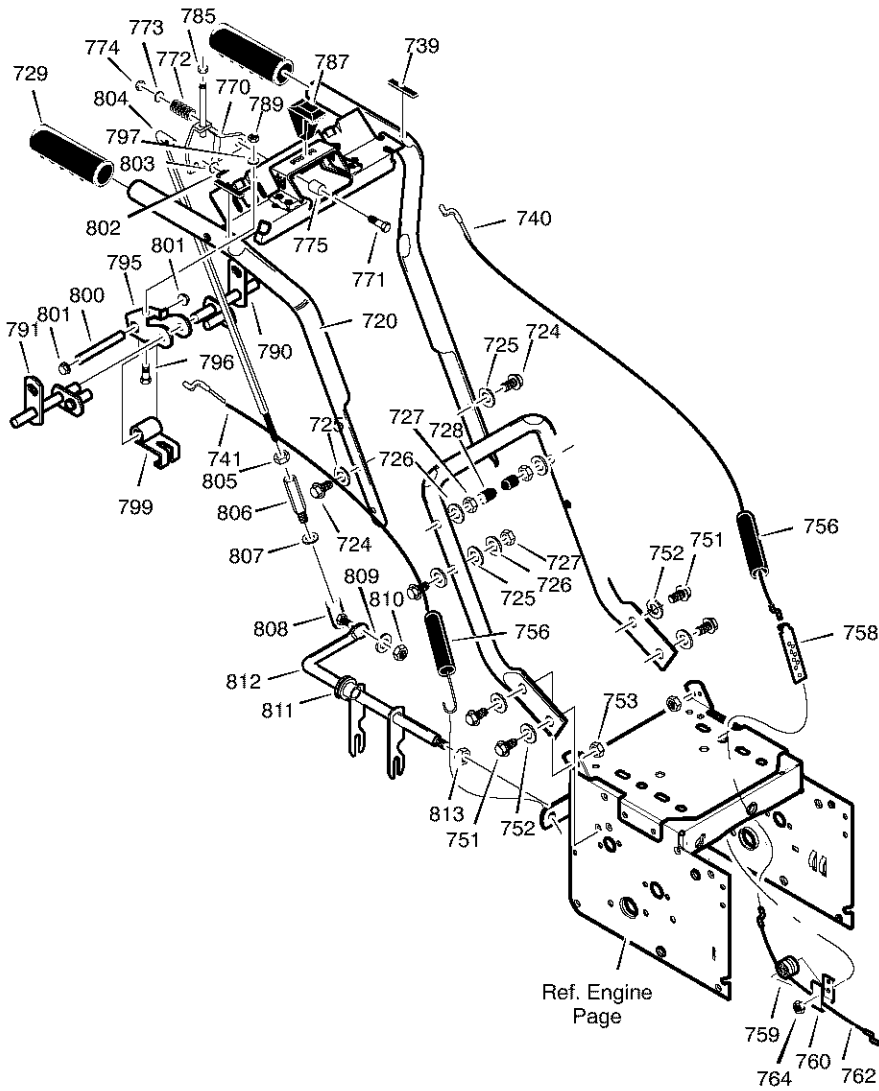


C3100A

**CRAFTSMAN 30" 11HP SNOW THROWER 536.881112  
DISCHARGE CHUTE**

<b>Key No.</b>	<b>Part No.</b>	<b>Description</b>
580	761168E701	CHUTE, UPPER W/REMOTE
582	578088	SCREW, 5/16-18 X.75
584	71038	NUT
585	578088	SCREW, 5/16-18 X.75
586	6711	PLASTIC WASHER
587	71038	NUT
600	761169E701	CHUTE, LOWER W/REMOTE
601	586280	BOLT
602	71071	WASHER, FLAT
603	71038	NUT
604	762322	FLAP
606	585214 YZ	CHUTE COLLAR
607	002X98	BOLT
608	71067	WASHER, FLAT
609	780029	NUT
610	337227	RETAINER, RING INNER
611	1501054	RETAINER, RING OUTER

# CRAFTSMAN 30" 11HP SNOW THROWER 536.881112 HANDLE ASSEMBLY



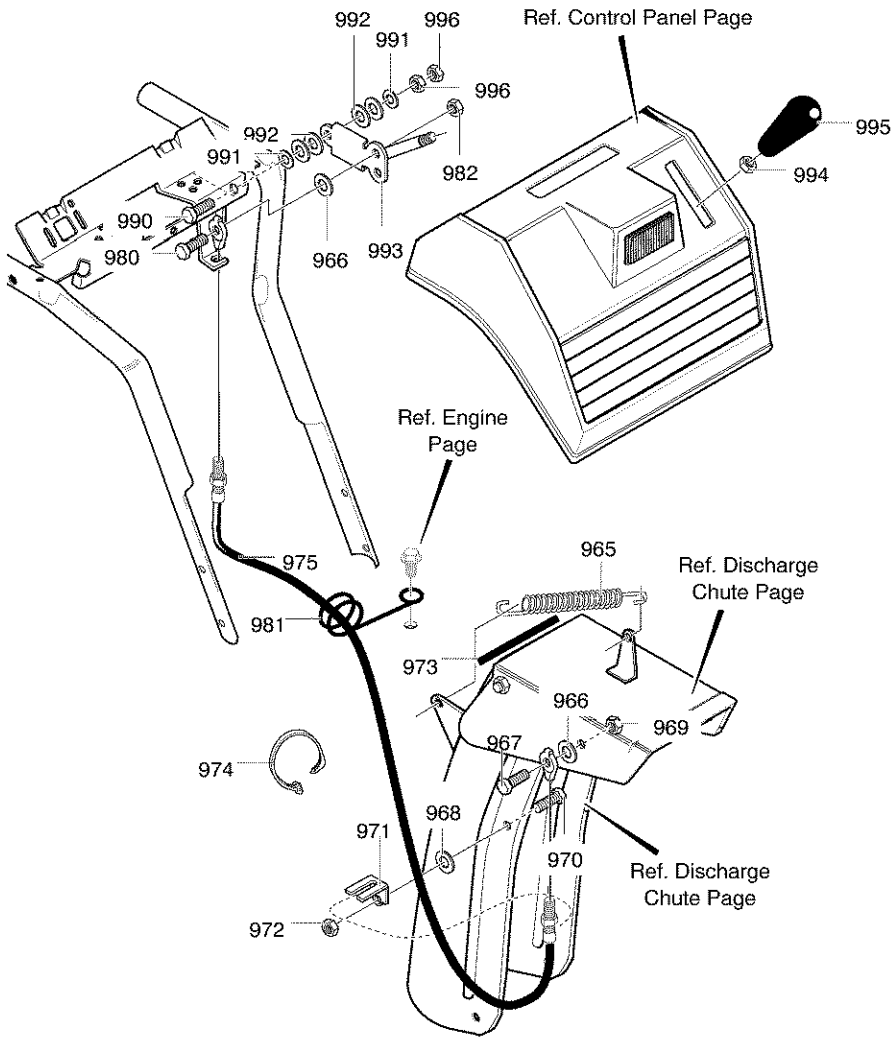
HDL104A

**CRAFTSMAN 30" 11HP SNOW THROWER 536.881112  
HANDLE ASSEMBLY**

<b>Key No.</b>	<b>Part No.</b>	<b>Description</b>	<b>Key No.</b>	<b>Part No.</b>	<b>Description</b>
720	760192E701	ASSY, HANDLE	773	71072	WASHER, FLAT
723	71007	SCREW	774	71046	NUT, HEX
724	7288	SCREW	775	579183	SPACER, SHIFT
725	71072	WASHER, FLAT	785	71034	NUT, HEX
726	71062	WASHER	787	585522	KNOB, SHIFT
727	71044	NUT	790	578926	ROD, ASSY LH
728	7289	STOP, PLASTIC	791	578924	ROD, ASSY RH
729	50792	GRIP, HANDLE	795	579002	BRACKET, CAM
739	4049	BUMPER	796	313676	SCREW
740	1501124	CABLE, CLUTCH	797	71060	WASHER, SPTLK
741	761591	CABLE, CLUTCH	798	71037	NUT, HEX
743	579869	TENSION SPRING	799	8417	CAM LOCK
744	1673	SPRING, CLUTCH	800	584673	PIN, SPRING PIVOT
745	780029	NUT, HEX	801	73664	NUT, PUSH ON
750	5543EE701	HANDLE, LOWER	802	71081	PIN, COTTER
751	70984	SCREW	803	71071	FLATWASHER
752	71060	WASHER, SPTLK	804	581079	ROD, CONTROL
753	71391	NUT	805	71042	NUT, HEX
754	70984	SCREW	806	6352	ADAPTOR, SPEED
756	308146	BOOT, CABLE	807	71060	WASHER
758	1X186	BOLT, HEX	808	50782	JOINT, STEEL BALL
759	1501122	SPOOL, CABLE	809	71060	WASHER
760	1501059 YZ	BRKT, SPOOL	810	71042	NUT, HEX
762	1501122	CABLE, DRIVE	811	579944	BEARING, FL
770	581964	BRACKET, SHIFT	812	1501110 TZ	ROD, YOKE
771	7288	SCREW	813	11X30	RETAINER, RING
772	50786	SPRING			



# CRAFTSMAN 30" 11HP SNOW THROWER 536.881112 REMOTE CHUTE CONTROL ASSEMBLY

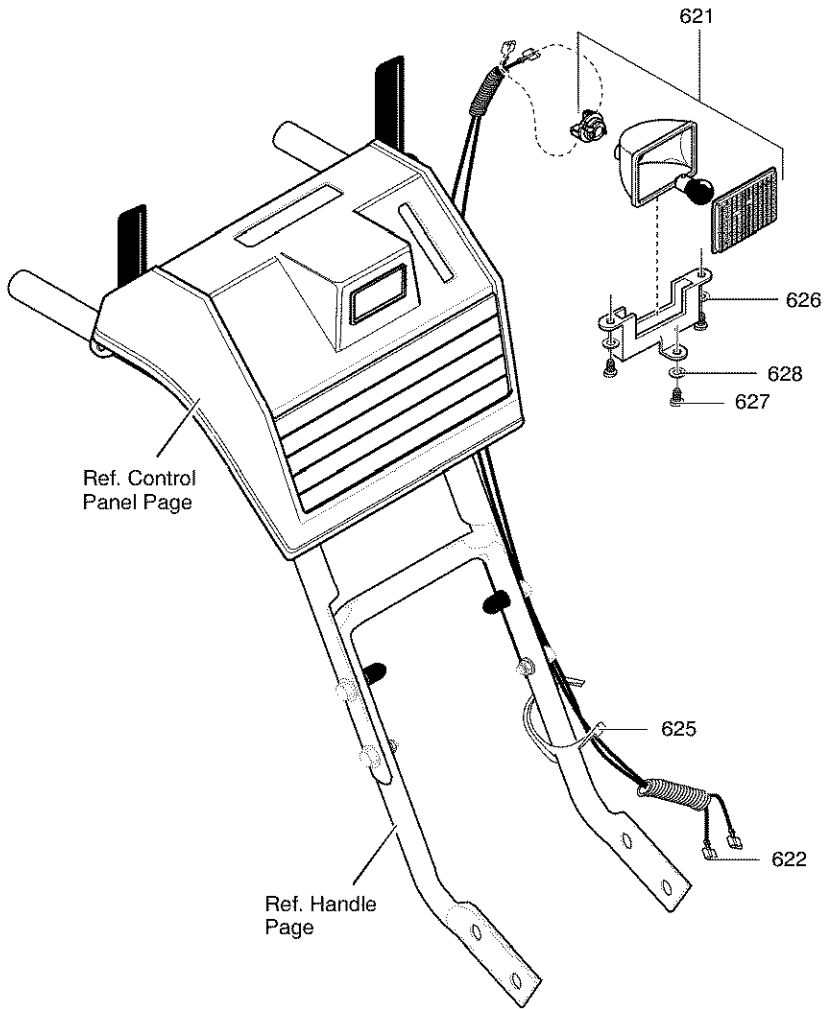


342858

**CRAFTSMAN 30" 11HP SNOW THROWER 536.881112  
REMOTE CHUTE CONTROL ASSEMBLY**

<b>Key No.</b>	<b>Part No.</b>	<b>Description</b>
965	318468	SPRING, TENSION RETURN
966	711666	WASHER, FLAT
967	310088	BOLT, 5/16-18
968	73787	WASHER, FLAT
969	302635	NUT, 1/4-20
970	313676	SCREW, 5/16-18 X .75
971	780066	BRACKET, CABLE CHUTE
972	71391	NUT, 5/16-18
973	55021	TRIM
974	760113	TIE, CABLE
975	761131	CABLE, CHUTE CONTROL
980	310088	BOLT, 5/16-18
981	780220	WIRE FORM
982	302635	NUT, 1/4-10
990	4058	SCREW, 3/8-16X1.75
991	71072	WASHER, FLAT
992	4051	WASHER, SPRING
993	579040	HANDLE ASSY, SPEED CONTROL
994	71044	NUT, 3/8-16 REGHEX
995	306689	HANDLE, 3/8-16 MOLDED
996	71046	NUT, 3/8-16 HEX

**CRAFTSMAN 30" 11HP SNOW THROWER 536.881112  
HEADLIGHT**



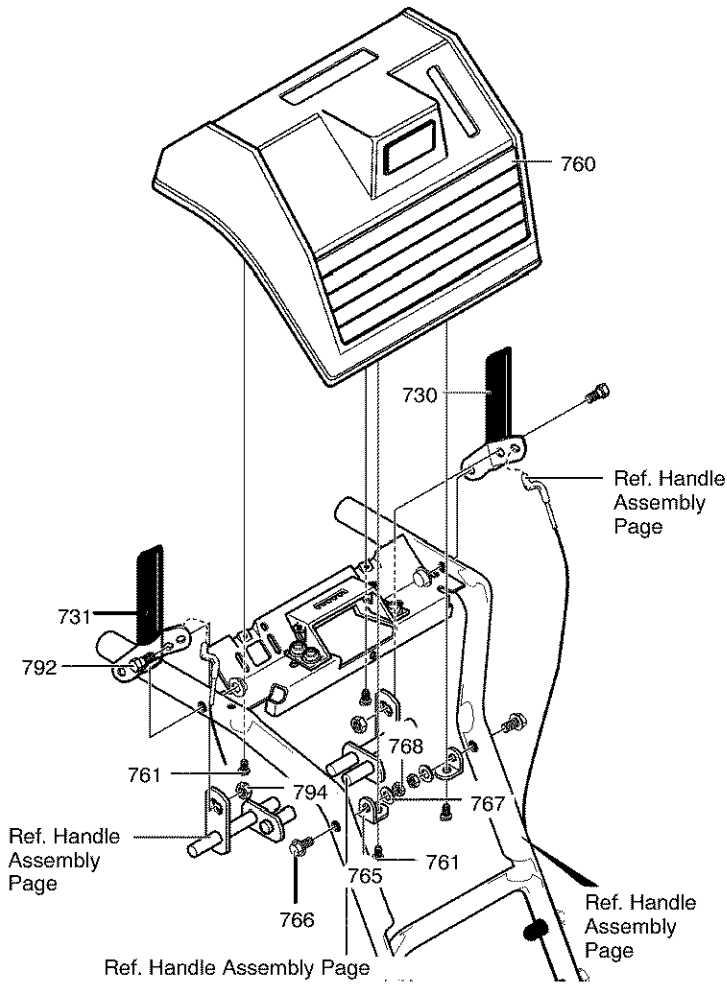
SD1029

Key No.	Part No.	Description
621	762343	LIGHT, HALOGEN
622	1501036	HARNES, HEADLIGHT
625	57444	TIE, CABLE
626	578921	BRACKET
627	901696	SCREW #8 X .50
628	901736	WASHER, FLAT

F-011047L

91

**CRAFTSMAN 30" 11HP SNOW THROWER 536.881112  
CONTROL PANEL**



337139 J

Key No.	Part No.	Description
730	578992	CLUTCH HANDLE LH
731	578993	CLUTCH HANDLE RH
760	579039	PANEL, CONTROL
761	316042	SCREW, 10 X .62
765	578866E701	BRACKET, PANEL
766	302900	SCREW, 5/16-18 X 1.75
767	71060	WASHER, HVSP TLK
768	71037	NUT, 5/16-18
792	905531	BOLT, 1/4-20 X .50
794	908913	NUT, 1/4-20

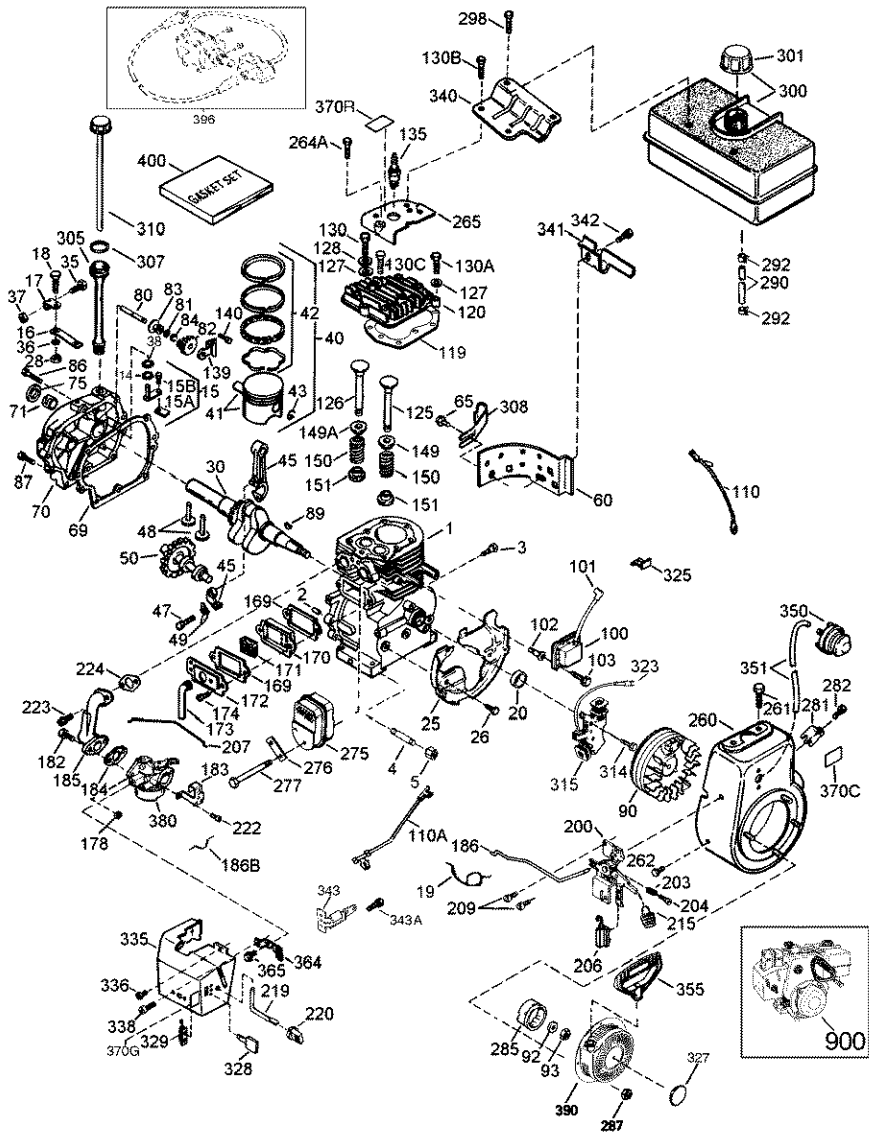
# CRAFTSMAN 30" 11HP SNOW THROWER 536.881112

## DECALS

NOT ILLUSTRATED

<b>Part No.</b>	<b>Description</b>
761776	DECAL, DANGER & FOOT
761916	DECAL, DANGER CHUTE -HAND
48x399	DECAL, 11/30 CRAFTSMAN
761078	DECAL, DANGER STRIPE
48x2003	DECAL, REMOTE CHUTE TRACT ENGAGE
48x2001	DECAL, SPEED SELECT
48x2002	DECAL, AUGER ENGAGE
48x358	NAMEPLATE, CRAFTSMAN
760983	DECAL, TOOL BOX -BELT COVER
48x2000	DECAL, SCH.

# CRAFTSMAN 4-CYCLE ENGINE MODEL NUMBER 143.021101



## CRAFTSMAN 4-CYCLE ENGINE MODEL NUMBER 143.021101

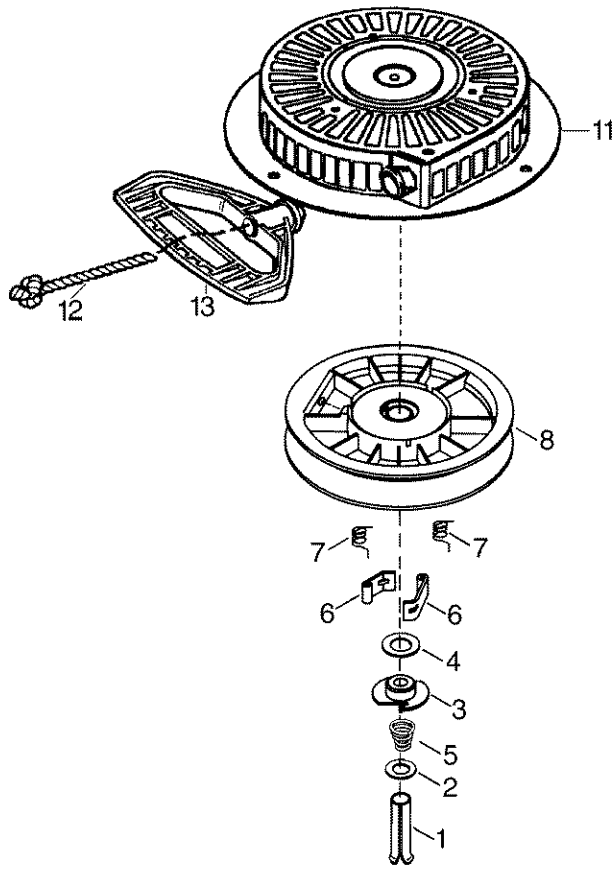
KEY NO.	PART NO.	DESCRIPTION	KEY NO.	PART NO.	DESCRIPTION
1	35371	Cylinder Ass'y (2, 20, 72)	49	36896	Oil Dipper
2	27652	Dowel Pin	50	35375	Camshaft (MCR)
3	650820	Screw, 1/4-20x1/2"	60	33273A	Blower Hsg Extension
4	31857	Oil Drain Extension	65	650128	Screw, 10-24x1/2"
5	30969	Extension Cap	69	37342	Cylinder Cover Gasket
14	28277	Washer	70	35376A	Cylinder Cover
15	30699C	Governor Rod	71	35377	Crankshaft Bushing
15A	30700	Governor yolk	75	35319	Oil Seal
15B	650494	Screw 6-40 x 5/16"	80	37587	Governor Shaft
16	33454A	Governor Lever	81	651080	Washer
17	29916	Governor Lever Clamp	82	35378	Governor Gear Ass'y
18	651028	Screw, Torx T-15	83	30588A	Governor Spool
19	34663	Speed Control Spring	84	29193	Retaining Ring
20	35319	Oil Seal	86	650833	Screw, 1/4-20 x 1-3/16"
25	36460	Blower Hsg Baffle	87	650832	Screw, 1/4-20 x 1-11/16"
26	650561	Screw, 1/4-20 x 5/8"	89	32589	Flywheel Key
28	30322	Locknut 8-32	90	611193	Flywheel (W/Ring Gear)
30	37231	Crankshaft	92	650880	Washer
35	29826	Screw, 10-32x3/4"	93	650881	Flywheel Nut
36	29918	Lockwasher	100	35135A	Solid State Ignition
37	29216	Locknut 10-32	101	610118	Spark Plug Cover
38	29642	Retaining Ring	102	651024	Mounting Stud
40	35776A	Piston, Pin & Ring Set (Std.)	103	651007	Screw, Torx T-15
40	35777A	Piston, Pin & Ring Set (.010" OS)	110	35187	Ground Wire
40	35778A	Piston, Pin & Ring Set (.020" OS)	110A	37047	Ground Wire
41	35773A	Piston, Pin Ass'y. (Std.)	119	36451	Cylinder Head Gasket
41	35774A	Piston, Pin Ass'y. (.010" OS) (Incl. 43)	120	36449	Cylinder Head
41	35775A	Piston, Pin Ass'y. (.020" OS) (Incl. 43)	125	27878A	Exhaust Valve (std)
42	35779	Ring Set (Std.)	125	27880A	Exhaust Valve ( 1/32" OS)
42	35780	Ring Set (.010" OS)	126	34035	Intake Valve (Std.)
42	35781	Ring Set (.020" OS)	126	34036	Intake Valve ( 1/32" OS)
43	35772	Piston Pin Retaining Ring	127	650691	Washer
45	36898	Connecting Rod Assy.	128	650690	Belleville Washer
47	651033	Connecting Rod Bolt	130	6021A	Screw, 5/16-18 x 1-1/2"
48	34034	Valve Lifter	130A	650727	Screw, 5/16-18 x 1-25/32"
			130B	651055	Screw, 5/16-18 x 5/8"
			130C	650694A	Screw, 5/16-18 x 2"

**CRAFTSMAN 4-CYCLE ENGINE MODEL NUMBER 143.021101**

135	35395	Spark Plug (RJ1 9LM)	281	33013	Starter Bubble Cover
139	33369	Governor Gear Bracket	282	650760	Screw, 8-32 x 3/8"
140	659836	Screw, 10-24 x 1/2"	285	35985B	Starter Cup
149	27882	Valve Spring Cap	287	29752	Nut & Lockwasher
149A	35862	Valve Spring Cap	290	30962	Fuel Line
150	27881	Valve Spring	292	26460	Fuel Line Clamp
151	32581	Valve Spring Keeper	298	650665	Screw, 1/4-15 x 3/4"
169	27896A	Valve Cover Gasket	300	34186A	Fuel Tank
170	28423	Breather Body	301	35355	Fuel Cap
171	28424	Breather Element	305	35554	Oil Fill Tube
172	28425	Valve Cover	307	35499	"O" Ring
173	35350	Breather Tube	308	35540	Fill Tube Clip
174	650128	Screw, 10-24 x 1/2"	310	36205	Dipstick
178	29752	Nut & Lock Washer	314	650873	Screw, 1/4-20 x 3/4"
182	30088A	Screw, 1/4-28 x 1"	315	611111	Alternator Coil
183	34587A	Choke Bracket	323	611118	Carburetor Terminal
184	33263	Carb. To Intk Pipe Gasket	325	29443	Wire Clip
185	33877	Intake Pipe	327	35392	Starter Plug
186	34667	Governor Link	328	35593	Ignition Key
186B	36652	Choke Spring	329	610973	Terminal
200	34677	Control Bracket	335	36547	Carburetor Cover
203	31342	Compression Spring	336	650765	Screw, 10-32 x 1/2"
204	651029	Screw, Torx T-10	338	28942	Screw, 10-32 x 3/8"
206	610973	Terminal	340	34154	Fuel Tank Bracket
207	33878	Throttle Link	341	34155	Fuel Tank Bracket
209	650821	Screw, 10-32 x 1/2 "	342	650561	Screw, 1/4-20 x 5/8"
215	35440	Control Knob	343	35079A	Key Switch Bracket
219	34586	Choke Rod	343A	651060	Screw, 10-32 x 23/64"
220	35438	Choke Knob	350	570682A	Primer Ass'y
222	651081	Screw, 10-32 x 15/32"	351	32180C	Primer Line
223	650378	Screw, Torx T-40	355	590574	Starter Handle
224	27915A	Intake Pipe Gasket	364	33337	Carburetor Cover Bracket
260	35447A	Blower Housing	365	650767	Screw, 8-32 x 27/64"
261	650788	Screw, 5/16-18 x 3/4"	370C	36501	Primer Decal
262	29747B	Screw, 5/16-24 x 21/32"	370G	35077	Control Decal
264A	650802	Screw, 1/4-20 x 5/8"	370R	37580	Warning Decal
265	33272D	Cylinder Head Cover	380	640054	Carburetor (Incl. 184)
275	35056	Muffler	390	590749	Rewind Starter
276	31588	Locking Plate	396	33329E	Electric Start Motor (Opt)
277	651002	Screw, 5/16-18x4-3/16"	400	36452B	Gasket Set



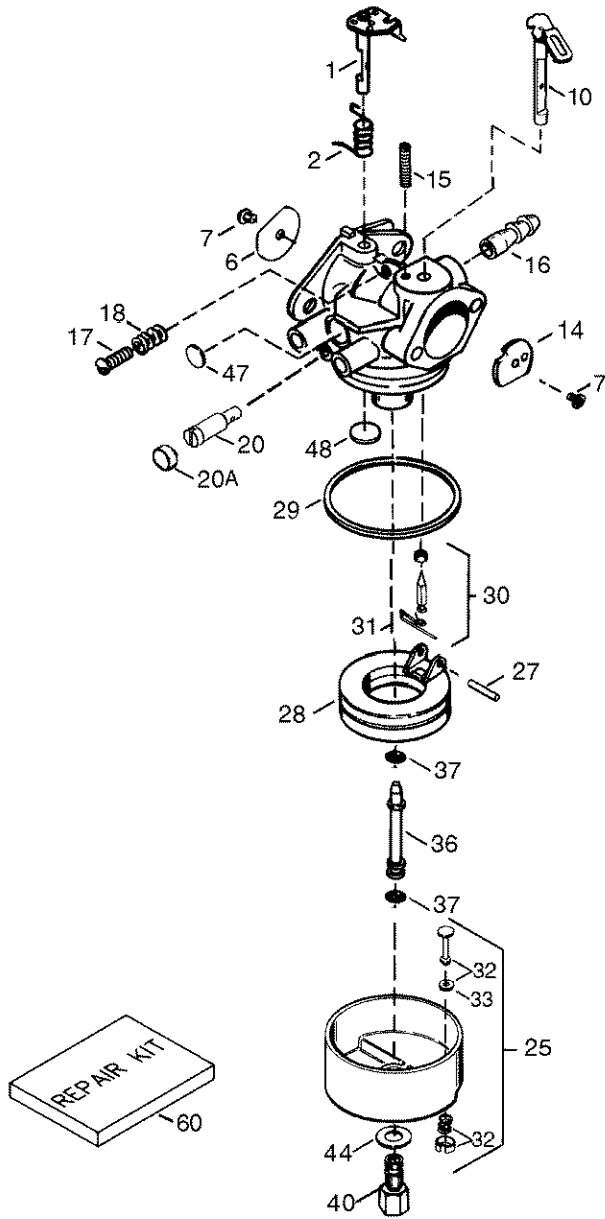
**CRAFTSMAN 4-CYCLE ENGINE MODEL NUMBER 143.021101**



KEY NO.	PART NO.	DESCRIPTION
0	590749	Rewind Starter
1	590599A	Spring Pin
2	590600	Washer
3	590679	Retainer
4	590601	Washer
6	590680	Starter Dog
7	590412	Dog Spring
8	590682	Pulley & Rewind Spring Assy.
11	590750	Starter Housing Ass'y.
12	590535	Starter Rope (Length 98" x 9/64" dia.)
13	590574	Mitten Grip Handle (Not included with starter)

F-011047L

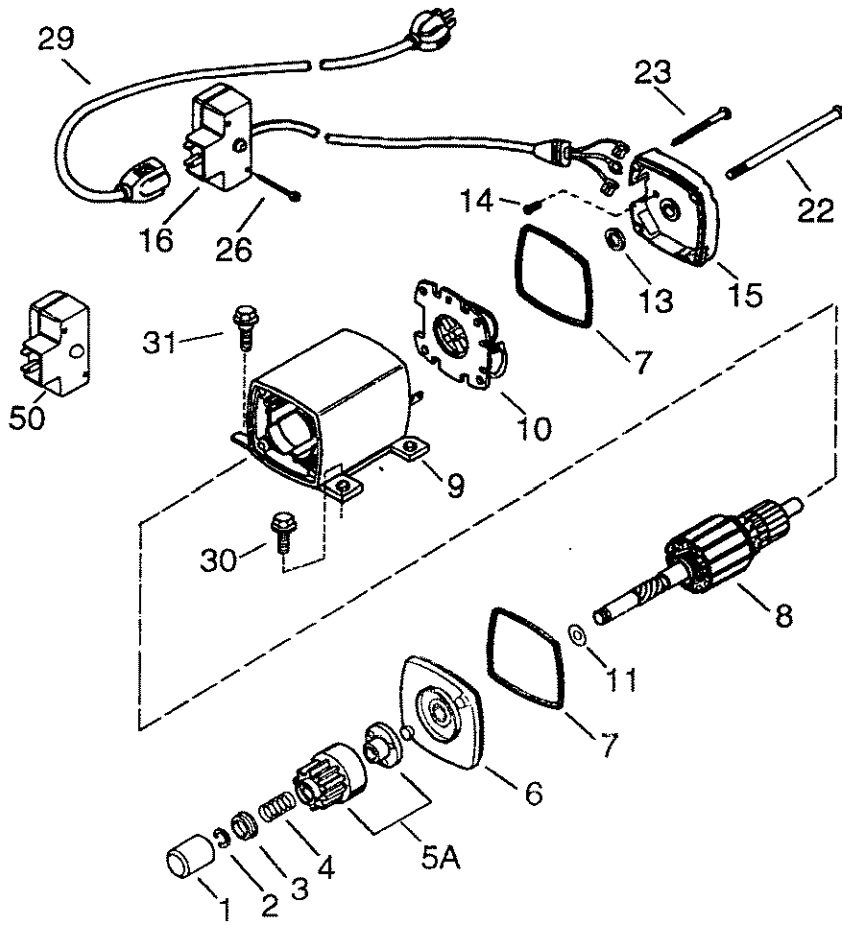
CRAFTSMAN 4-CYCLE ENGINE MODEL NUMBER 143.021101



## CRAFTSMAN 4-CYCLE ENGINE MODEL NUMBER 143.021101

KEY NO.	PART NO.	DESCRIPTION
--	640054	Carburetor (Incl. 184 of Engine Parts List)
1	631776A	Throttle Shaft & Lever Assembly
2	631970	Throttle Return Spring
6	631778	Throttle Shutter
7	650506	Shutter Screw
10	632112	Choke Shaft & Lever Assembly
14	632174	Choke Shutter
15	630735	Choke Positioning Spring
16	632164	Fuel Fitting
17	650417	Throttle Crack Screw/Idle Speed Screw
18	630766	Tension Spring
20	640016	Idle Mixture Screw
20A	640053	Idler Restrictor Screw Cap
25	631951	Float Bowl Ass'y. (Incl. 32 & 33)
27	631024	Float Shaft
28	632019	Float
29	631028	Float Bowl "O" Ring
30	631021	Inlet Needle, Seat & Clip (Incl. 31)
31	631022	Spring Clip
32	27136A	Bowl Drain Assembly
33	27554	Drain Plunger Gasket
36	640005	Main Nozzle Tube
37	632547	"O" Ring, Main Nozzle Tube
40	640012	High Speed Bowl Nut
44	27110A	Bowl Nut Washer
47	630748	Welch Plug, Idle Mixture Well
48	631027	Welch Plug, Atmospheric Vent
60	632760	Repair kit (Incl. Items Marked PK in Notes)

CRAFTSMAN 4-CYCLE ENGINE MODEL NUMBER 143.021101



## CRAFTSMAN 4-CYCLE ENGINE MODEL NUMBER 143.021101

KEY NO.	PART NO.	DESCRIPTION
0	33329E	Electric Starter (110 Volt)
1	33451	Dust Cover
2	33842	Retainer Ring
3	33430	Spring Retainer
4	33431	Anti-drift Spring
5A	37050	Nut & Gear
6	35449	Drive End Cap Ass'y (Incl. 7)
7	35450	"O" ring
8	35915	Armature
9	35451A	Housing Ass'y (Must purchase complete motor)
10	35452A	Brush & Spring Card Ass'y
11	35911	Thrust Washer
13	590500	Thrust Washer
14	33441	Ground Screw
15	35453	Commutator End Cap Ass'y (Incl. 7)
16A	35454	Switch Box Ass'y (Incl. 27A)
24	35455	Case Bolt
25	35456	Grounding Screw
26	650819	Screw, 6-32 x 2-1/2"
29	32450B	Extension Cord (10'6)
30	30063	Screw, Torx T-30, 1/4-20 x 1/2"
531	650820	Screw, 1/4-20 x 1/2"