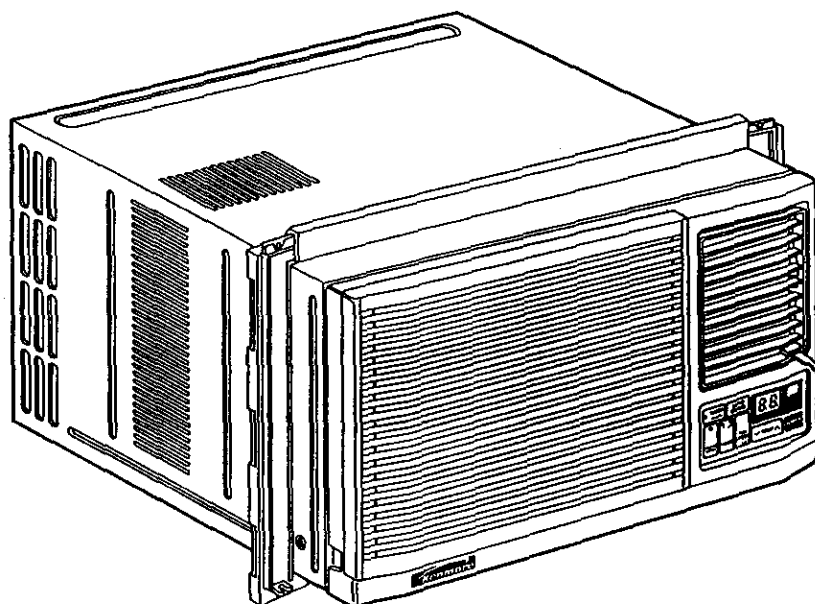


**Owner's Manual**  
**Manual del Propietario**



**ROOM AIR CONDITIONER**  
**ACONDICIONADOR DE AIRE DE VENTANA**

Model, Modelo 580.71184



ENGLISH

ESPAÑOL

Sears, Roebuck and Co., Hoffman Estates, IL 60179  
[www.sears.com](http://www.sears.com)

# TABLE OF CONTENTS

<b>TABLE OF CONTENTS</b> .....	2	Features .....	10
<b>WARRANTY</b> .....	2	Using the Air Conditioner .....	10
<b>SAFETY</b> .....	3	Display .....	11
Important Safety Instructions .....	3	<b>REMOTE CONTROL</b> .....	12
<b>ELECTRICAL REQUIREMENTS</b> .....	4	<b>MAINTENANCE</b> .....	13
<b>INSTALLATION</b> .....	5	Air Filter Cleaning .....	13
Installation Requirements .....	5	Air Conditioner Cleaning .....	13
Installation .....	6	How to Replace the Front Grille .....	13
How to Install .....	6	<b>TROUBLESHOOTING</b> .....	14
Removal from Window .....	8	Before Calling for Service .....	14
<b>OPERATION</b> .....	9	<b>REPAIR PARTS</b> .....	15
How and Why .....	9	<b>ESPAÑOL</b> .....	26
Normal Sounds .....	9	<b>SERVICE NUMBERS</b> .....	Back Cover
Capacity and Running Time .....	9		

## WARRANTY

### FULL ONE YEAR WARRANTY ON ROOM AIR CONDITIONER

For one year from the date of purchase, when this air conditioner is operated and maintained for normal room cooling according to instructions in this owner's manual, Sears will repair this air conditioner, free of charge, if defective in material or workmanship.

### FULL FIVE-YEAR WARRANTY ON SEALED REFRIGERATION SYSTEM

For five years from the date of purchase, when this air conditioner is operated and maintained for normal room cooling according to instructions in this owner's manual, Sears will repair the sealed refrigeration system (consisting of refrigerant, connecting tubing, and compressor), free of charge, if defective in material or workmanship.

### WARRANTY SERVICE IS AVAILABLE BY CONTACTING THE NEAREST SEARS SERVICE CENTER IN THE UNITED STATES.

Warranty coverage applies only to air conditioners used for non-commercial, private household purposes.

This warranty applies only while this product is in use in the United States.

This warranty gives you specific legal rights, and you may also have other right which vary from state to state.

**Sears, Roebuck and Co., D/817WA,  
Hoffman Estates, IL 60179 U.S.A.**

# SAFETY

## IMPORTANT SAFETY INSTRUCTIONS

The safety instructions below will tell you how to use your room air conditioner to avoid harm to yourself or damage to your ROOM AIR CONDITIONER.

### **⚠ WARNING FOR YOUR SAFETY**

Do not store or use gasoline or other flammable vapors and liquids in the vicinity of this or any other appliance. Read product labels for flammability and other warnings.

### **⚠ WARNING PREVENT ACCIDENTS**

To reduce the risk of fire, electrical shock, or injury to persons when using your air conditioner, follow basic precautions, including the following:

- Be sure the electrical service is adequate for the model you have chosen.
- If the air conditioner is to be installed in a window, you will probably want to clean both sides of the glass first. If the window is a triple-track type with a screen panel included, you may want to remove the screen completely before installation.
- Be sure the air conditioner has been securely and correctly installed according to the separate installation instructions provided with this manual. Save this manual and installation instructions for possible future use in removing or reinstalling this unit.
- When handling the air conditioner, be careful to avoid cuts from sharp metal fins on front and rear coils.

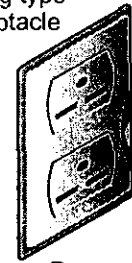
### **⚠ WARNING ELECTRICAL INFORMATION**

The complete electrical rating of your new room air conditioner is stated on the serial plate. Refer to the rating when checking the electrical requirements.

- Be sure the air conditioner is properly grounded. To minimize shock and fire hazards, proper grounding is important. The power cord is equipped with a three-prong grounding plug for protection against shock hazards.
- Your air conditioner must be plugged into a properly grounded wall receptacle. If the wall receptacle you intend to use is not adequately grounded or protected by a time delay fuse or circuit breaker, have a qualified electrician install the proper receptacle.
- Do not run air conditioner with outside protective cover in place. This could result in mechanical damage within the air conditioner.
- Do not use an extension cord or an adapter plug.

**⚠ WARNING** Avoid fire hazard or electric shock. Do not use an extension cord or an adapter plug. Do not remove any prong from the power cord.

Grounding type wall receptacle



Power supply cord with 3-prong grounding plug

Do not under any circumstances cut, remove, or bypass the grounding prong from this plug.

## ENERGY SAVING IDEAS

- The capacity of the room air conditioner must fit the room size for efficient and satisfactory operation.
- Install the room air conditioner on the shady side of your home. A window that faces north is best because it is shaded most of the day.
- Do not block air flow inside with blinds, curtains, or furniture, or outside with shrubs, enclosures, or other buildings.
- Close the floor and wall registers and the fireplace damper so cool air does not escape up the chimney and into the duct work.
- Keep blinds and drapes in other windows closed during the sunniest part of the day.
- Clean the air filter as recommended in the MAINTENANCE section of this manual.
- Proper insulation and weather stripping in your home will help keep warm air out and cool air in.
- External house shading with trees, plants or awnings will help reduce the air conditioner's work load.
- Operate heat producing appliances such as ranges, washers, dryers, and dishwashers during the coolest part of the day.

ENGLISH

# ELECTRICAL REQUIREMENTS

**OBSERVE ALL LOCAL CODES AND ORDINANCES.**

**DO NOT, UNDER ANY CIRCUMSTANCES, REMOVE THE POWER SUPPLY CORD GROUND PRONG.**


**ELECTRICAL GROUND IS REQUIRED ON THIS APPLIANCE.**

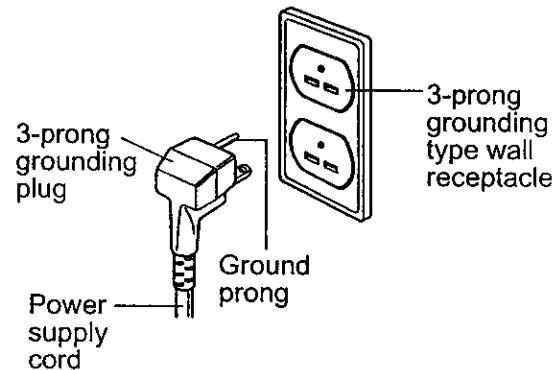
For 230/208 volt 60Hz, AC only, 15A fused and properly grounded electrical supply is required. A time delay fuse or time delay circuit breaker is recommended. Use a dedicated circuit, serving only this appliance.

**DO NOT USE AN EXTENSION CORD.**

## **RECOMMENDED GROUNDING METHOD**

For your personal safety, this appliance must be grounded. This appliance has a power supply cord with a 3-prong grounding plug. To minimize possible shock hazard, the cord must be plugged into a mating grounding type wall receptacle and grounded in accordance with the National Electrical Code (ANSI/NFPA 70) latest edition and all local codes and ordinances. If a mating wall receptacle is not available, it is the personal responsibility and obligation of the customer to have a properly grounded 3-prong wall receptacle installed by a qualified electrician.

<b>⚠ WARNING</b>

Electrical Shock Hazard Plug into a grounded 3 prong outlet. Do not remove ground prong. Do not use an adapter. Do not use an extension cord. Failure to follow these instructions can result in death, fire, or electrical shock.



# INSTALLATION

## INSTALLATION REQUIREMENTS

Your air conditioner will install into standard double hung windows with actual clear opening widths of 29 to 41 inches (737mm to 1041mm) (FIG. 1)

Lower sash must open sufficiently to allow a clear vertical opening of 18 inches (457mm). Side louvers and the rear of the air conditioner must have clear air space to allow enough airflow through the condenser for heat removal. The rear of the unit must be outdoors, not inside a building or garage.

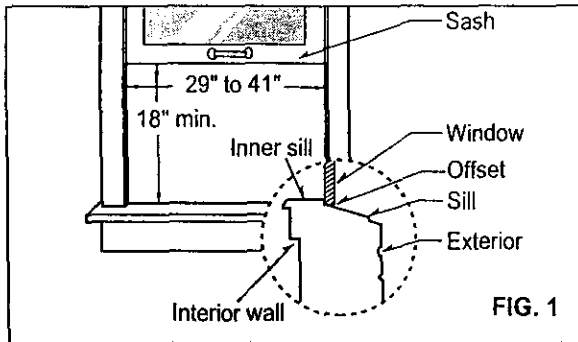


FIG. 1

## ELECTRICAL SERVICE

Check your available electrical service. The power supply available must be the same as that shown on the unit nameplate (found on right side of cabinet).

All models are equipped with a 3-prong service plug to provide proper service and safe positive grounding. Do not change plug in any way. Do not use an adapter plug. If your present wall outlet does not match your plug, call a qualified electrician to make the necessary corrections.

SAVE CARTON and this OWNER'S MANUAL for future reference. The carton is the best way to store unit during winter or when not in use.

## CAUTION

To avoid risk of personal injury, property damage, or product damage due to the weight of this device and sharp edges that may be exposed:

- Air conditioners covered in this manual pose an excessive weight hazard. Two or more people are needed to move and install the unit. To prevent injury or strain, use proper lifting and carrying techniques when moving unit.
- Carefully inspect location where air conditioner will be installed. Be sure it will support the weight of the unit over an extended period of time.
- Handle air conditioner with care. Wear protective gloves whenever lifting or carrying the unit. AVOID the sharp metal fins of front and rear coils.
- Make sure air conditioner does not fall during installation.

## INSTALLATION HARDWARE

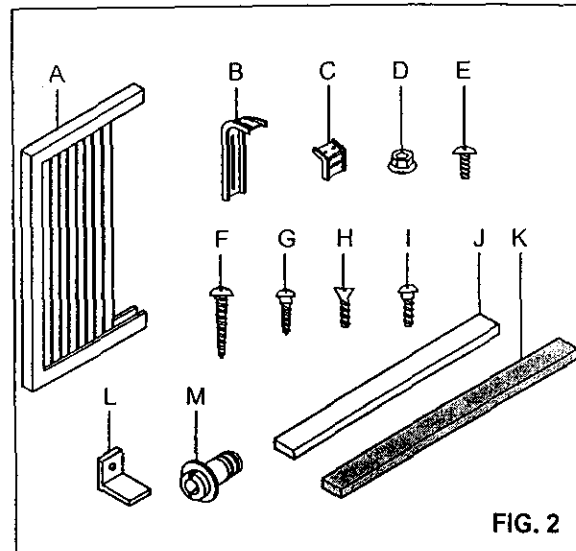


FIG. 2

ITEM	NAME OF PARTS	Q'TY
A	SIDE CURTAIN	2
B	SUPPORT BRACKET	2
C	SILL BRACKET	2
D	LOCK NUT	4
E	SCREW: 25/64"	11
F	SCREW: 13/16"	7
G	SCREW: 9/16"	5
H	M-SCREW	2
I	CARRIAGE BOLT	2
J	FOAM STRIP	1
K	FOAM SEAL	1
L	WINDOW LOCKING BRACKET	1
M	DRAIN PIPE	1

## REQUIRED TOOLS:

- Tight Fitting gloves
- Standard screwdriver
- Phillips screwdriver
- Pliers
- Sharp knife
- 3/8-inch open end wrench or adjustable wrench
- 1/4-inch hex socket and ratchet
- Tape measure
- Electric drill
- 1/4-inch drill bit

ENGLISH

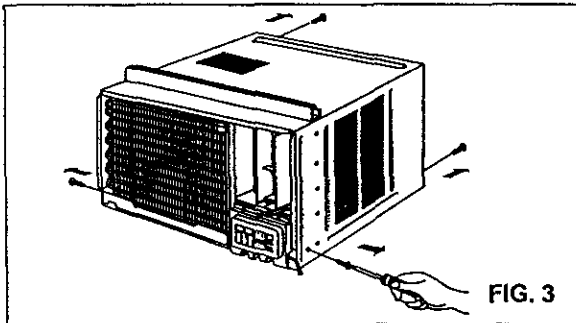
# INSTALLATION

## INSTALLATION

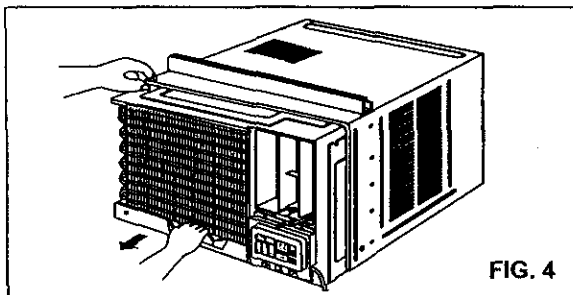
Pick a location which will allow you to blow the cold air into the area you want. Windows used for installation must be strong enough to support the weight of the air conditioner. Good installation with special attention to the proper position of the unit will lessen the chance that service will be needed. When cooling more than one room, installation location is very important since cold air will not turn corners. To cool your rooms, cold air must be blown from the air conditioner in a straight path.

## HOW TO INSTALL

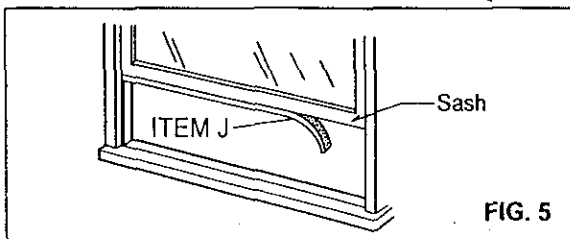
- 1 Remove the screws which fasten the cabinet at the back and side of the unit. Save side screws. Discard back screws.



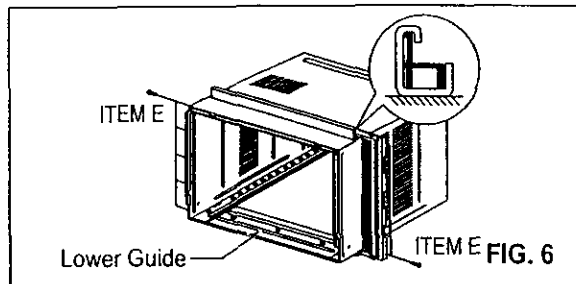
- 2 Slide the unit out of the cabinet by gripping the base pan handle and pull forward while bracing the cabinet.



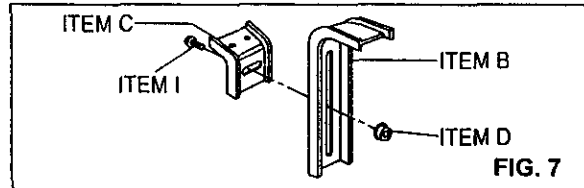
- 3 Cut the FOAM STRIP (ITEM J) to fit the underside of the window sash. Peel off the backing and attach the FOAM STRIP as shown in Fig. 5.



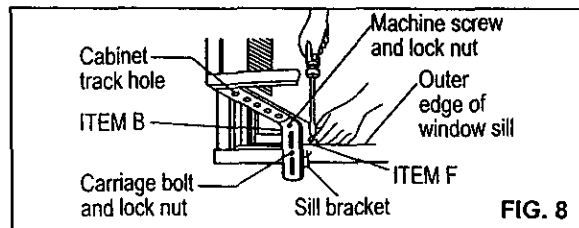
- 4 Insert the side curtain (ITEM A) into the upper guide and lower guide of the air conditioner. Fasten the curtains to the unit with screws (ITEM E).



- 5 Open the window. Mark a line on the center of the window inner sill. Loosely attach the sill bracket (ITEM B) to the support bracket (ITEM C) using the carriage bolt (ITEM I) and the lock nut (ITEM D).

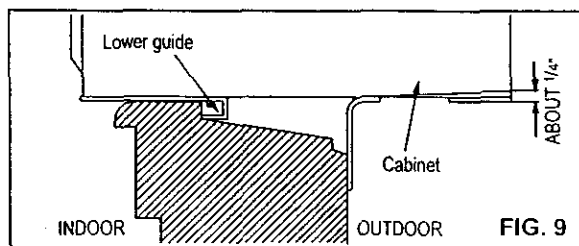


- 6 Attach the sill bracket to the window sill using the screws (ITEM F). Carefully place the cabinet on the window inner sill and align the center mark on the angle front with the center line marked on the window inner sill.



- 7 Using the M-screw (ITEM H) and the lock nut (ITEM D), attach the support bracket to the cabinet track hole. Use the first track hole after the sill bracket on the outer edge of the window sill. Tighten the carriage bolt and the lock nut. Be sure the cabinet slants downward 1/4" from level.

**CAUTION:** Do not drill a hole in the bottom pan. The unit is designed to operate with approximately 1/2" of water in bottom pan.

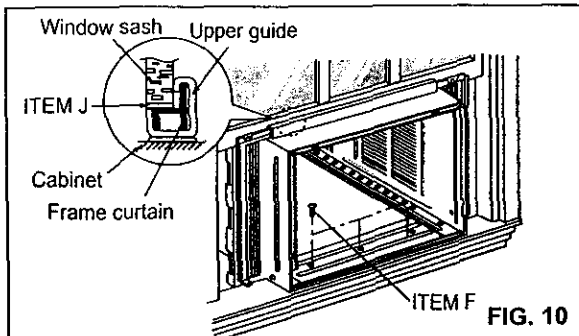


# INSTALLATION

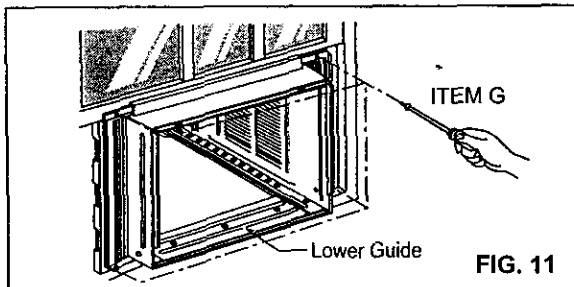
**8** Pull the bottom window sash down behind the upper guide until they meet.

**NOTE:**

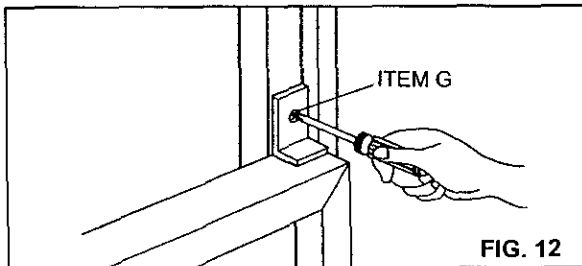
- Do not pull the window sash down so tightly that the movement of sliders is restricted. Attach the cabinet to the window inner sill by driving the screws (ITEM F) through the cabinet into window inner sill.
- The cabinet should be installed with a very slight tilt downward toward the outside 1/4" from level.



**9** Expand side curtains to fill opening. Attach each side curtain to the window sash using 4 screws (ITEM G). (FIG. 11)



**10** Attach the window locking bracket (ITEM L) with a screw (ITEM G). See FIG. 12.

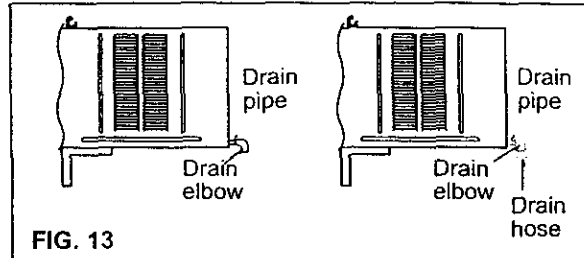


**11 DRAINAGE**

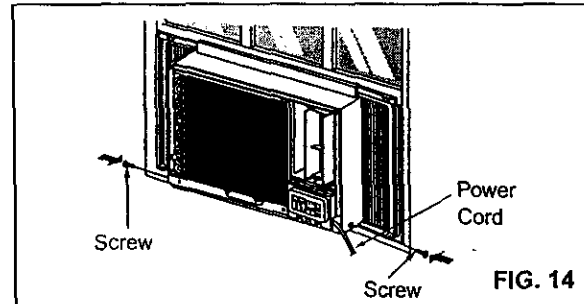
A drain hole is provided at the rear of the air conditioner unit. Select a drain method according to the following.

- Remove the hole rubber from the base-pan.

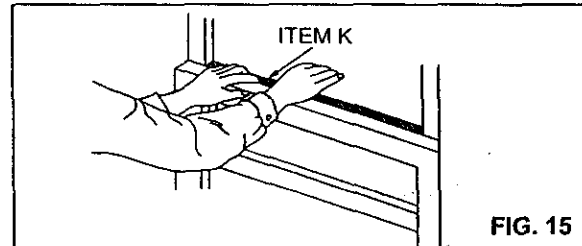
- Connect a drain elbow of 9/16" inside diameter to the drain pipe.
- Connect a drain hose of 9/16" inside diameter to the drain elbow. (Drain hose is not supplied.)



**12** Slide the air conditioner into the cabinet. (FIG. 14) **CAUTION:** For security purposes, reinstall side screws that were removed in step 1.

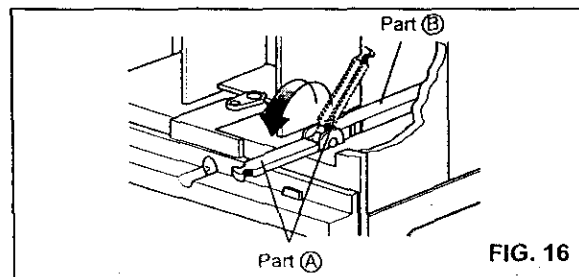


**13** Cut the foam seal (ITEM K) to the proper length and insert between the upper window sash and the lower window sash. (FIG. 15)



**14** Adjust the vent handle before the decorative front is attached. (FIG. 16)

Straighten the lever, as shown. Pull down part (A) to align with part (B).



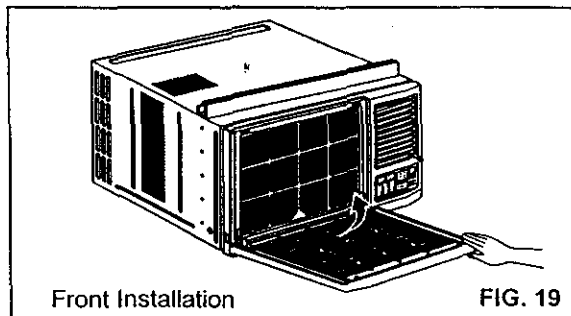
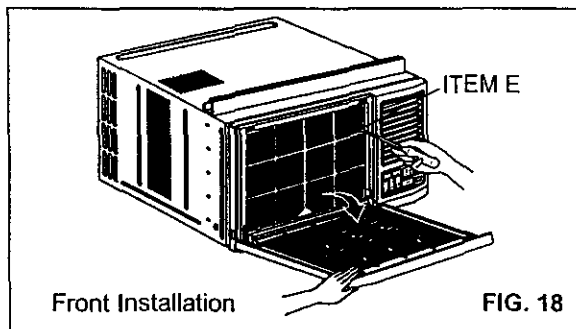
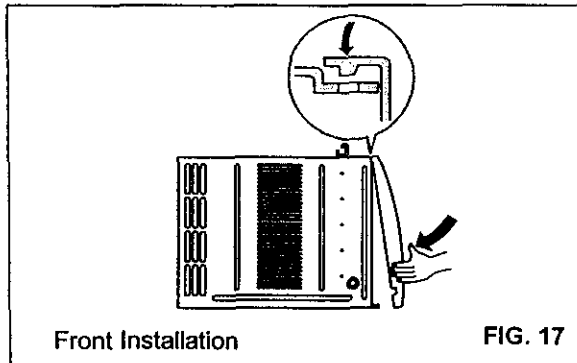
ENGLISH

# INSTALLATION

## 15 FRONT INSTALLATION

Install the front grille onto the cabinet as follows:

- Hook upper tabs of front grille into slots on the cabinet top.(FIG. 17)
- Push front grille's tips toward the cabinet in order to snap side tabs into the cabinet. (FIG. 17)
- Open the filter door.(FIG. 18)
- Install the screw (ITEM E) through the front grille.(FIG. 18)
- Close filter door.(FIG.19)

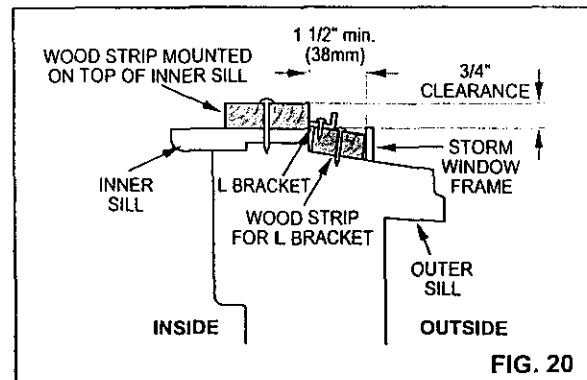


## 16 IF AIR CONDITIONER IS BLOCKED BY STORM WINDOW FRAME

- If storm window presents interference, fasten a 2" wide wood strip to the inner window sill across the full width of the sill. The wood strip should be thick enough to raise the height of the window sill so that the unit can be installed without interference from the the storm window frame. See FIG. 20.

Top of wood strip should be approximately 3/4" higher than the storm window frame to help condensation to drain properly to the outside.

- Install a second wood strip (approximately 6" long by 1 1/2" wide and same thickness as first strip) in the center of the outer sill flush against the back of the inner sill. Screw the L brackets into this strip. This will raise the L bracket as shown in FIG. 20.



## REMOVAL FROM WINDOW

- Turn off and unplug the air conditioner.
- Remove the front grille. See HOW TO REMOVE THE FRONT GRILLE. Refer to page 13.
- Unscrew the side screws that you installed in Step 12.
- Slide the air conditioner out of the cabinet. BE CAREFUL NOT TO DROP IT. Hold onto it firmly the whole way sliding it out. Once removed, set it safety out of the way.
- Remove the L bracket from window frame and the sash seal from between the windows.
- Unscrew the side curtains from the window frame. Fold them back to the sides of the cabinet.
- Remove screws attaching cabinet to inner sill. Be careful not to let cabinet fall once screws are removed.
- Remove cabinet from window opening.
- Place air conditioner into cabinet. Reinstall side screws and Front Grille.
- Place unit and all assembly hardware in air conditioner shipping carton, and store in clean, dry place.

### CAUTION

- Air conditioners covered in this manual pose an excessive weight hazard. Two or more people are needed to move and install the unit. To prevent injury or strain, use proper lifting and carrying techniques when moving unit.
- When handling the air conditioner, be careful to avoid cuts from sharp metal fins on front and rear coils.
- Make sure air conditioner does not fall during removal.



# OPERATION

## HOW AND WHY

Your room air conditioner provides the following functions to make hot weather living more comfortable:

- Cools and circulates room air.
- Lowers humidity by removing excess moisture.
- Filters out summertime dust, dirt, and some airborne impurities.

The air conditioner performs these functions by drawing room air through a filter which traps dust and dirt particles. The air then passes over a cooling coil which refrigerates the air and removes excess moisture. The same air is then returned to the room— cooler, drier, and cleaner. Moisture removed from the room air is carried to the outside and evaporated.

Your air conditioner is designed to be easy to operate and to provide plenty of cooling power.

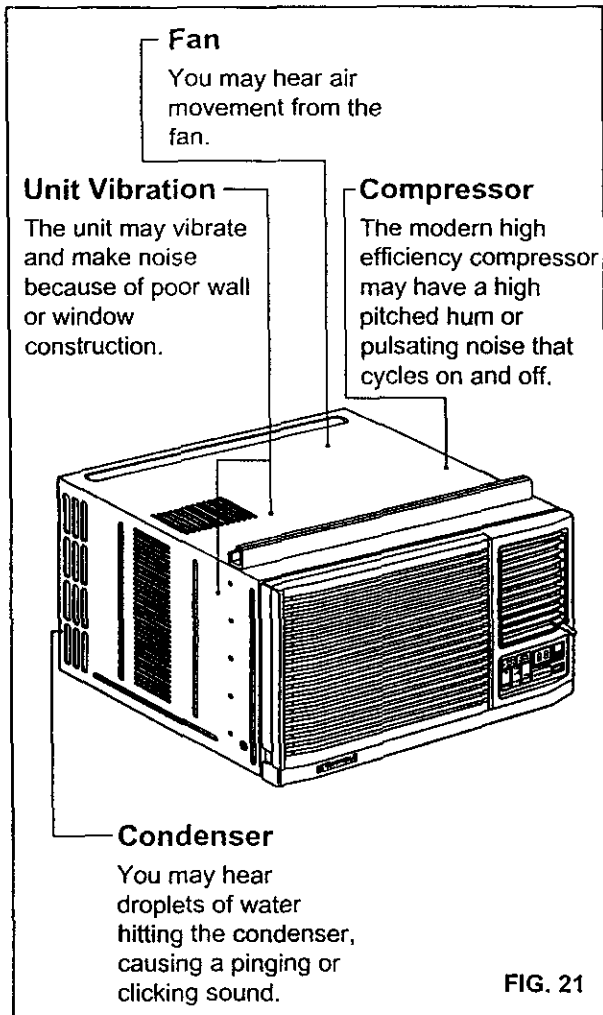
## NORMAL SOUNDS FIG. 21

Aside from the regular fan motor and compressor sounds coming from your air conditioner, you will once in a while hear a pinging sound. This is the result of moisture being picked up from the air in the room and thrown against the air conditioner's fan. This is normal and should not be cause for concern. Also, do not be alarmed if you hear a slight hissing or gurgling sound coming from your air conditioner after it is off. These are normal coolant noises.

## CAPACITY AND RUNNING TIME

Proper unit size is important in deciding the desired comfort for the area you want to cool. The proper size is determined by the number of square feet in the area to be cooled. An oversized unit will cool, but not dehumidify, leaving the area cool and damp. Whenever the heat or humidity load is above normal the air conditioner must run longer and more often to keep the desired temperature you have selected. Under heavy heat load conditions the air conditioner may need to run constantly to keep the temperature you want.

At times using the HIGH FAN setting to circulate the room air may make it comfortable even though you do not have the air conditioner set to cool the air. This will decrease your cost of use.



# OPERATION

## FEATURES

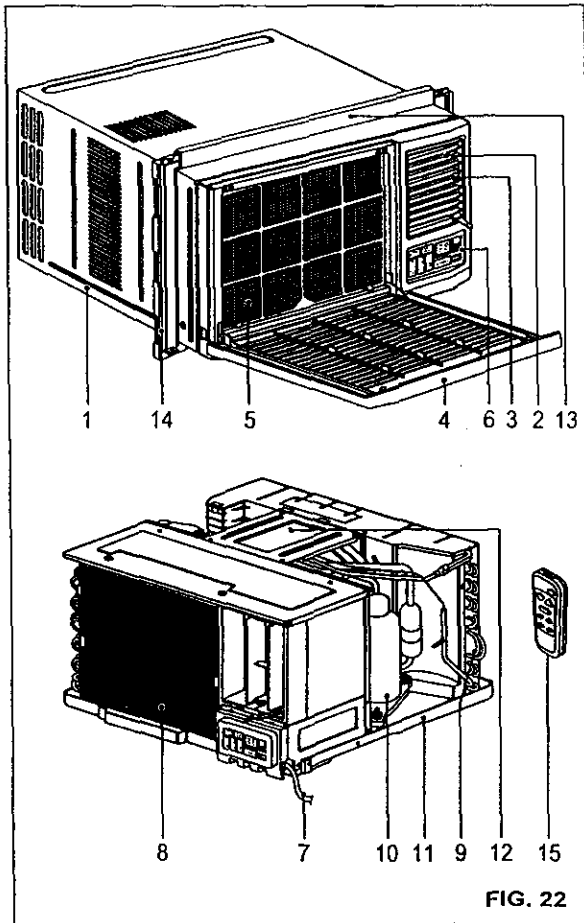


FIG. 22

1. Cabinet
2. Vertical Air Direction Louvers
3. Cool Air Discharge
4. Inlet Grille
5. Air Filter
6. Control Board
7. Power Cord
8. Evaporator
9. Condenser
10. Compressor
11. Base pan
12. Brace
13. Upper Guide
14. Curtain
15. Remote Control

## USING THE AIR CONDITIONER

**⚠ WARNING** To reduce the risk of fire, electric shock, or injury to persons, read the important SAFETY instructions section before operating this appliance

To begin operating the air conditioner after installation, follow these steps:

1. Plug in the air conditioner. (To prevent electrical hazards, do not use an extension cord or an adapter plug.)
2. Set the exhaust vent to the CLOSE position.
3. Set the TEMP Control to the coolest setting.
4. Set the MODE Control at the highest COOL level.
5. Adjust the louver for comfortable air flow.
6. Once the room has cooled, adjust the TEMP and MODE control to the setting you find most comfortable.

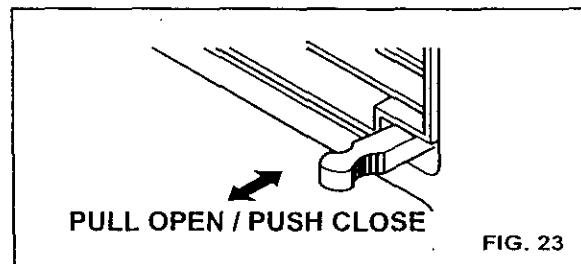
**NOTE :** If the air conditioner is turned off, wait 3 minutes before restarting. This allows pressure inside the compressor to equalize. Failure to wait 3 minutes before restarting may cause inefficient operation.

If you move the TEMP Control to a warmer, then immediately back to a cooler setting, the unit will shut off. Wait 3 minutes before restarting.

### VENT CONTROL

The Vent Control allows the air conditioner to either recirculate inside air (CLOSE) or exhaust air to the outside (OPEN). (FIG. 23)

- The CLOSE position is used when maximum cooling is desired. It may also be used for air recirculation without cooling when the air conditioner is set in the FAN position.
- The OPEN position removes stale air from the room and exhausts it to the outside. Fresh air is drawn into the room through your home's normal air passages.
- The OPEN or CLOSE position can be used with any fan selection.



# OPERATION

## DISPLAY

### ON/OFF TIMER

#### - SHUT OFF TIME

- If unit is running, Timer sets number of hours until shut off.
- Once Timer is set, the Temperature setting will raise by 2°F after 30 min., and 2°F after another 30 min.
- Every time you push Timer button, it advances the Timer setting as follows: 1 Hour → 2Hours → 3Hours → etc.

#### - START TIME

- If unit is off, Timer sets number of hours before unit starts.
- Every time you push Timer button, it advances the Timer setting as follows: 1 Hour → 2Hours → 3Hours → etc.

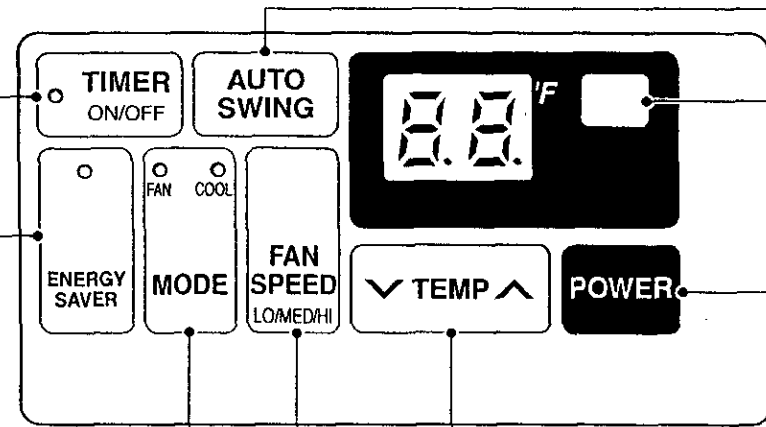
### AUTO SWING

- This button can automatically control the air flow direction to right or left.

### REMOTE CONTROL SIGNAL RECEIVER

### POWER

- To turn the air conditioner ON, push the button.
- To turn the air conditioner OFF, push the button again.
- This button takes priority over any other button.
- When you first turn it on, the air conditioner is on the High cool mode and the Temp. at 72°F



### DISPLAY COOL/FAN

- Everytime you push this button, it will toggle between COOL and FAN.

### FAN SPEED

- Everytime you push this button, it advances the setting as follows:  
(High → Low → Med → High)  
(F3) (F1) (F2) (F3)

### ENERGY SAVER

- The fan stops when the compressor stops cooling. Approximately every 3 minutes the fan will turn on and check the room air to determine if cooling is needed.

### TEMPERATURE SETTING

- This button can automatically control the temperature of the room.
- The temperature can be set within a range of 60°F to 86°F by 1°F.
- Select the lower number for lower temperature of the room.

### VERTICAL AIR DIRECTION CONTROL

The vertical air direction is adjusted by moving the horizontal louvers up or down with your fingertips.

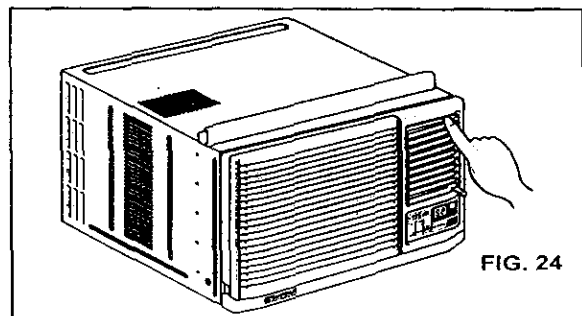


FIG. 24

ENGLISH

# OPERATION

## REMOTE CONTROL

Precaution: The Remote Control will not operate properly if strong light shines on the sensor window of the Air Conditioner or if there are obstacles between the Remote Control and the Air Conditioner.

Everytime you push button, you will hear beep sound from the Air Conditioner.

### POWER

- To turn the air conditioner ON, push the button. To turn the air conditioner OFF, push the button again. This button takes priority over any other button.
- When you first turn it on, the air conditioner is on the High cool mode and the Temp. at 72°F

### TEMPERATURE SETTING

- This button can automatically control the temperature of the room. The temperature can be set within a range of 60°F to 86°F by 1°F. Select the lower number for lower temperature of the room.

### FAN SPEED

- Everytime you push this button it advances the setting as follows:  
(High → Low → Med → High).  
(F3) (F1) (F2) (F3)

### ON/OFF TIMER

#### - SHUT OFF TIME

- If unit is running, Timer sets number of hours until shut off.
- Once Timer is set, the Temperature setting will raise by 2°F after 30 min., and 2°F after another 30 min.
- Every time you push Timer button, it advances the Timer setting as follows:  
1 Hour → 2Hours → 3Hours → etc.

#### - START TIME

- If unit is off, Timer sets number of hours before unit starts.
- Every time you push Timer button, it advances the Timer setting as follows:  
1 Hour → 2Hours → 3Hours → etc.

### COOL/FAN

- Everytime you push this button, it will toggle between COOL and FAN.

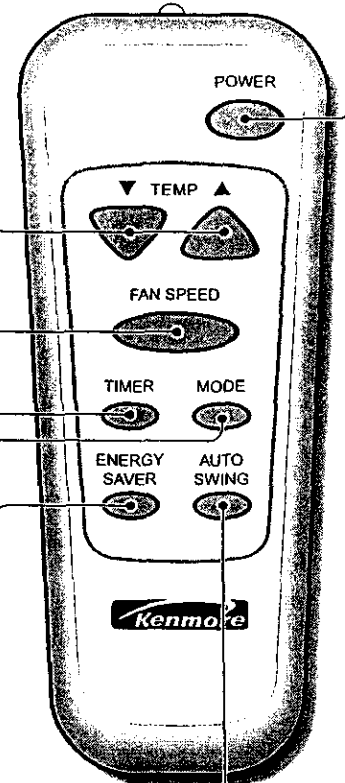
### ENERGY SAVER

The fan stops when the compressor stops cooling.

- Approximately every 3 minutes the fan will turn on and check the room air to determine if cooling is needed.

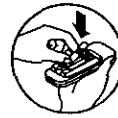
### AUTO SWING

- Press the air flow direction control button for the vertical louvers to swing automatically right or left.



## HOW TO INSERT BATTERIES

- 1** Remove the cover from the back of the remote controller.
- 2** Insert two batteries.
  - Be sure that the (+) and (-) directions are correct.
  - Be sure that both batteries are new.
- 3** Re-attach the cover.



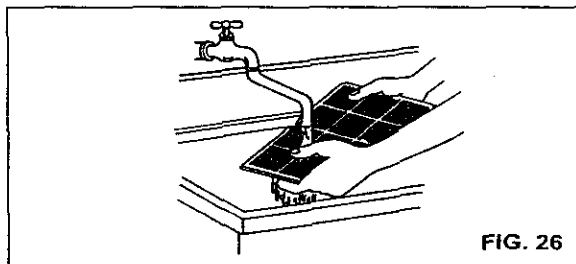
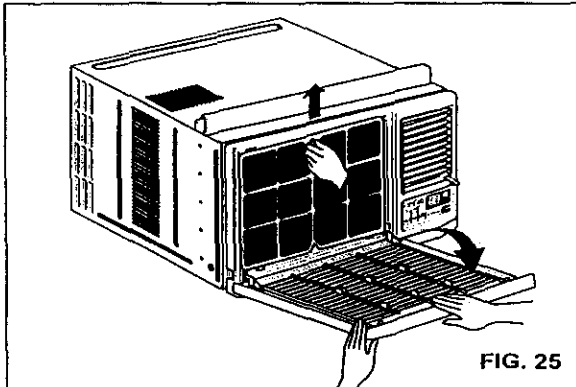
- Do not use rechargeable batteries. Such batteries differ from standard dry cells in shape, dimensions, and performance.
- Remove the batteries from the remote controller if the air conditioner is not going to be used for an extended length of time.

# MAINTENANCE

## AIR FILTER CLEANING

The Air Filter will become dirty as it removes dust from the inside air. It should be washed at least every 2 weeks. If the Air Filter remains full of dust, the air flow will decrease and the cooling capacity will be reduced, possibly damaging the unit.

- Pull the inlet grille forward, grasping both tabs, and pull out the air filter. (FIG. 25)
- Wash the Air Filter under the faucet with warm water. Be sure to shake off all the water before replacing the filter. (FIG. 26)

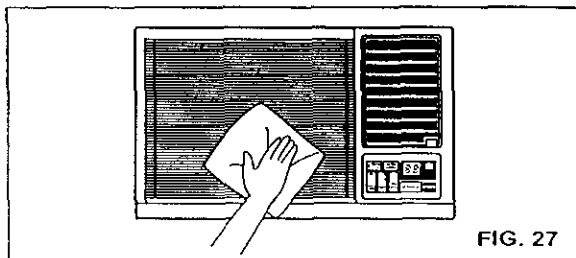


## AIR CONDITIONER CLEANING

Clean the front grille and inlet grille by wiping with a cloth dampened in a mild detergent solution.

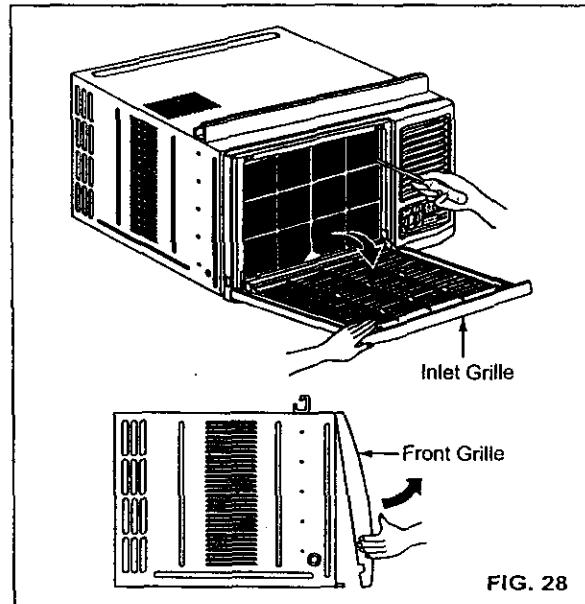
The cabinet may be washed with mild soap or detergent and lukewarm water, then polished with liquid appliance wax.

To ensure continued peak efficiency, the condenser coils (outdoor side at unit) should be checked periodically and cleaned if they become clogged with soot or dirt from the atmosphere. Brush or vacuum exterior coils to remove debris from fins.



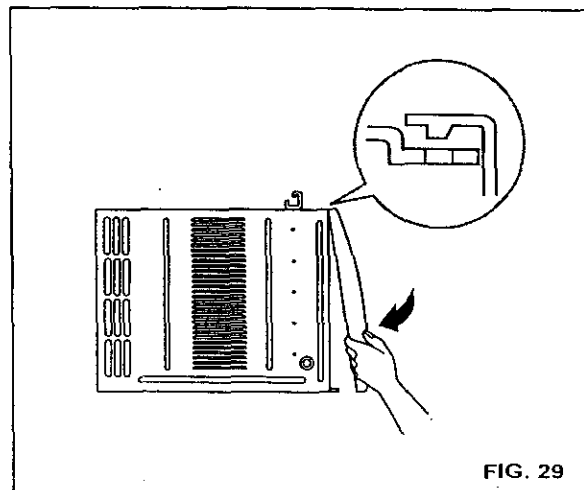
## HOW TO REMOVE THE FRONT GRILLE

- Open the inlet grille downward.
- Remove the screw securing the Front Grille.
- Push the grille up from the bottom and pull the top of the grille away from the case to lift the top tabs out of their slots.



## HOW TO REPLACE THE FRONT GRILLE

Attach the front grille to the cabinet by inserting the tabs on the grille into the tabs on the front of the cabinet. Push the grille in until it snaps into place.



# TROUBLESHOOTING

## BEFORE CALLING FOR SERVICE

Check the following list to be sure a service call is really necessary. A quick reference to this manual may help you avoid an unneeded service call.

### THE AIR CONDITIONER WILL NOT OPERATE

Check if...	Then...
Wall plug disconnected.	Push plug firmly into wall outlet.
House fuse blown or circuit breaker tripped.	Replace fuse with time delay type or reset circuit breaker.
Power is OFF.	Push the power button.
Unit was turned off and then on too quickly.	Set unit off and wait 3 minutes before restarting.
TEMP Control set warmer than room temperature.	Set TEMP Control to a lower number.

### AIR FROM UNIT DOES NOT FEEL COLD ENOUGH.

Check if...	Then...
FAN SPEED set at LOW.	Push FAN SPEED button to set at HI.
TEMP Control set too warm.	Set TEMP Control to a lower temperature.
Room temperature below 66°F (19°C).	Cooling may not occur until room temperature rises above 66°F (19°C).
Temperature sensing tube touching cold coil, located behind air filter.	Straighten tube away from coil.

### THE AIR CONDITIONER COOLING, BUT ROOM IS TOO WARM – ICE FORMING ON COOLING COIL BEHIND INLET GRILLE.

Check if...	Then...
Outdoor temperature below 66°F (19°C).	To defrost the coil, set the MODE to FAN.
Air filter may be dirty.	Clean air filter. Refer to Maintenance section of owner's manual.
TEMP Control set too lower for night-time cooling.	To defrost the coil, set the MODE to FAN or "High Cool" with the TEMP control to a higher number.

### THE AIR CONDITIONER COOLING, BUT ROOM IS TOO WARM – NO ICE FORMING ON COOLING COIL BEHIND INLET GRILLE.

Check if...	Then...
Dirty air filter – air restricted.	Clean air filter. Refer to Maintenance section of owner's manual.
TEMP Control set too warm.	Set TEMP Control to a lower number.
Front of unit is blocked by drapes, blinds, furniture, etc. Air distribution is restricted.	Clear blockage in front of unit.
Doors, windows, registers, etc. open. Cold air escapes.	Close doors, windows, registers, etc.
Unit recently turned on in hot room.	Allow additional time to remove stored heat from walls, ceiling, floor, and furniture.

### THE AIR CONDITIONER TURNS ON AND OFF RAPIDLY.

Check if...	Then...
Outside temperature is extremely hot.	Set FAN SPEED on HI to bring air past cooling coils faster.

### NOISE WHEN UNIT IS COOLING.

Check if...	Then...
Sound of fan hitting water – moisture removal system.	This is normal when humidity is high. Close doors, windows, and registers.
Window vibration – poor installation.	Refer to installation instructions or check with installer.

### WATER DRIPPING INSIDE WHEN UNIT IS COOLING.

Check if...	Then...
The air conditioner is improperly installed.	Tilt air conditioner slightly to the outside to allow water drainage. Refer to installation instructions or check with installer.

### WATER DRIPPING OUTSIDE WHEN UNIT IS COOLING.

Check if...	Then...
The unit is removing large quantities of moisture from humid room.	This is normal during excessively humid days.



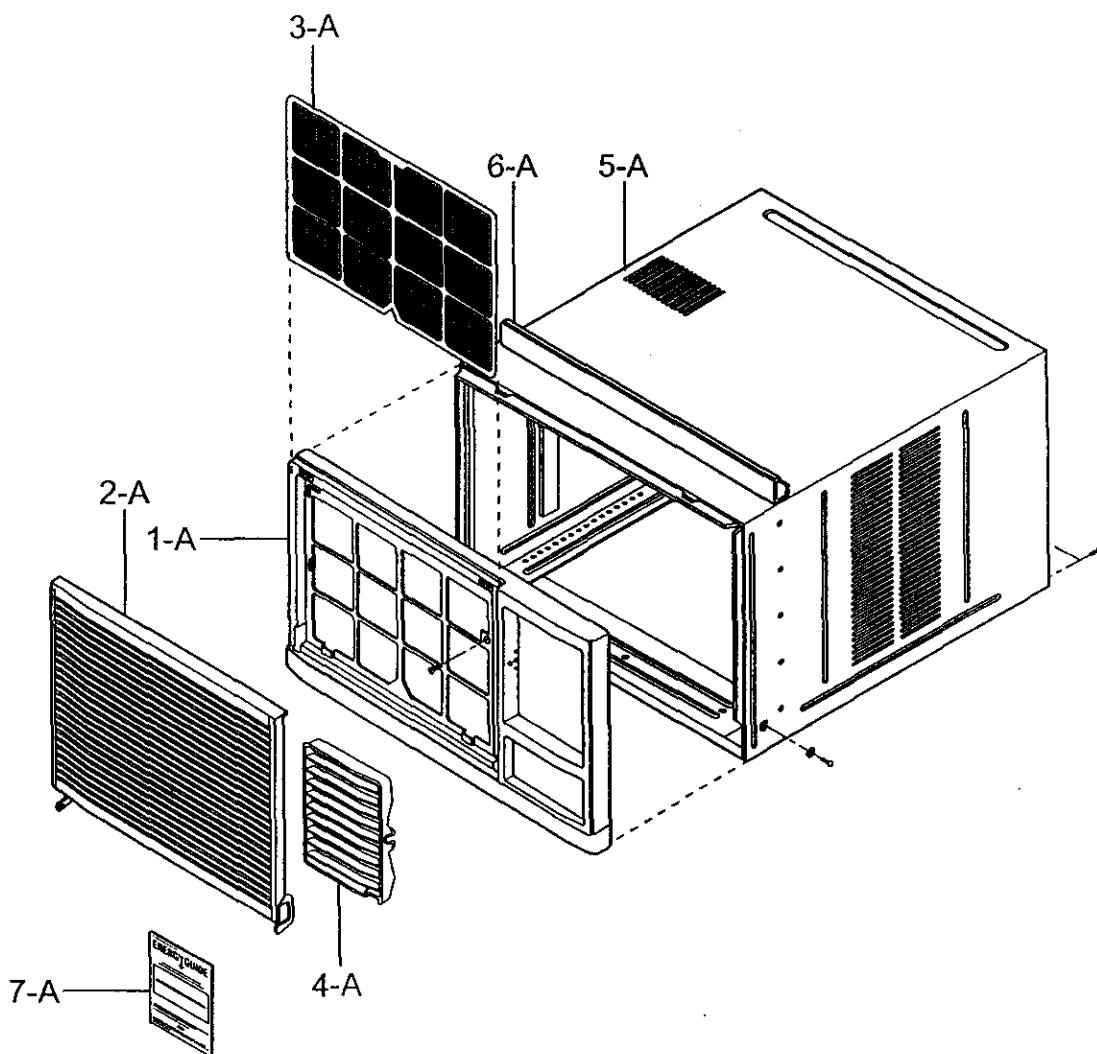
# REPAIR PARTS

Room Air Conditioner  
Model No. 580.71184100

To order Parts call Toll Free  
1-800-4-MY-HOME®(1-800-469-4663)

CAUTION: Use the Kenmore part number on all orders, not the illustration number.

## CABINET & FRONT GRILLE ASS'Y





CAUTION: Use the Kenmore part number on all orders, **not** the illustration number.

### CABINET & FRONT GRILLE ASS'Y

---

POS. NO	PART NO	DESCRIPTION
1 - A	3530AR1182A	FRONT GRILLE
2 - A	3530AR1531A	INLET GRILLE
3 - A	5230AR1327A	AIR FILTER ASS'Y
4 - A	5990AR2972A	VANE
5 - A	3091AR6057C	CABINET ASS'Y
6 - A	2H00858E	UPPER GUIDE
7 - A	3850A20046K	LABEL, ENERGY
	3828A30089B	MANUAL OWNER'S

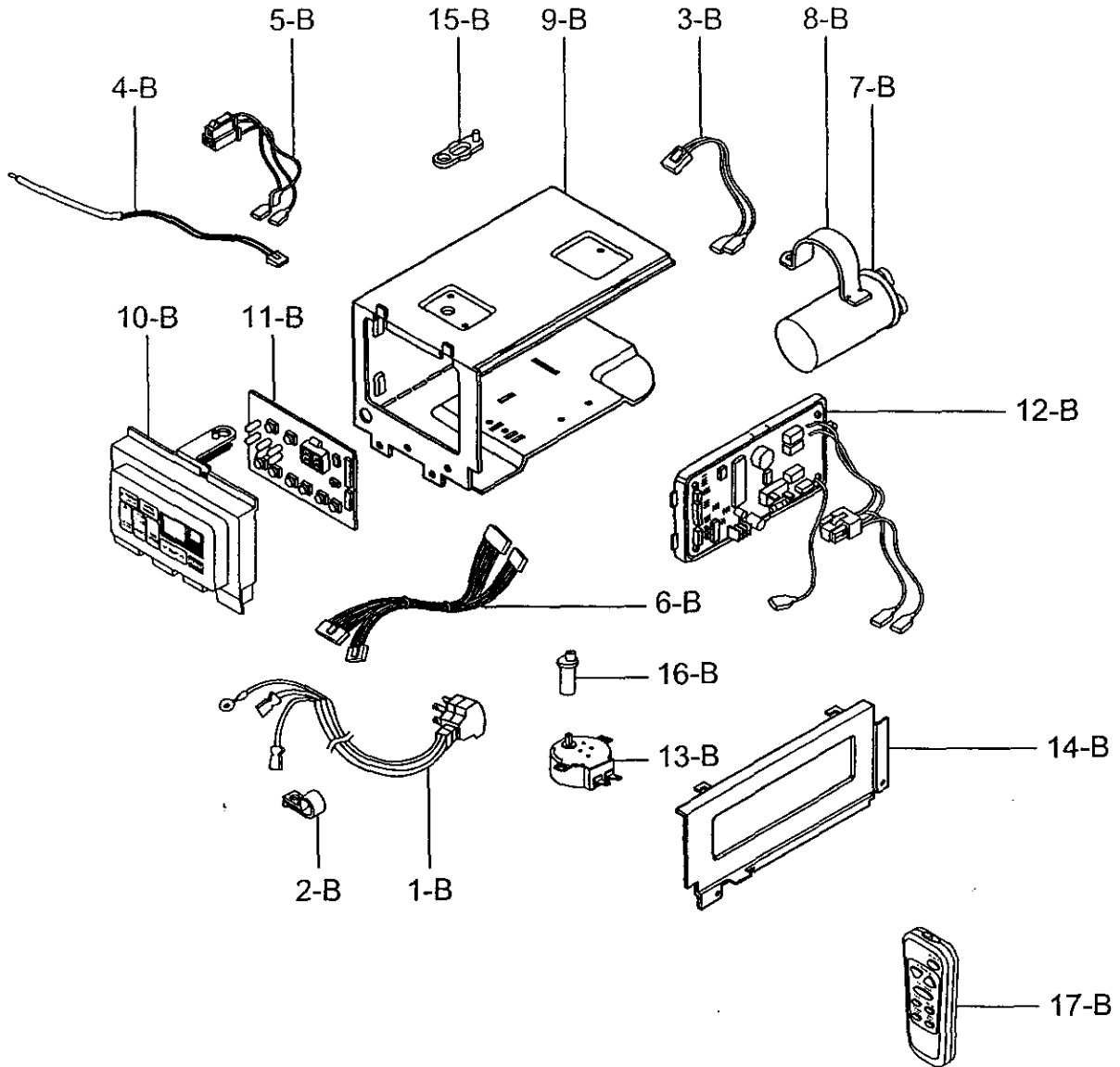
ENGLISH

# = Functional Parts

\* = Non-illustrated Parts

CAUTION: Use the Kenmore part number on all orders, not the illustration number.

### CONTROL BOX ASS'Y



CAUTION: Use the Kenmore part number on all orders, **not** the illustration number.

### CONTROL BOX ASS'Y

---

POS. NO	PART NO	DESCRIPTION
1 - B #	2H00677Q	POWER CORD ASS'Y
2 - B	4H01762A	CLIP CORD
3 - B	6631AR3809F	CONDUCT ASS'Y
4 - B	6323A20003D	THERMISTOR
5 - B	6877A20002A	LEAD WIRE ASS'Y
6 - B	6631AQ3201B	CONNECTOR ASS'Y
7 - B	6120AR2194D	CAPACITOR, SH (6+30 $\mu$ F, 370/400VAC)
8 - B	4H00442F	CAPACITOR CLAMP
9 - B #	4994AR1606A	CONTROL BOX
10 - B	3720A20018A	PANEL, CONTROL
11 - B	6871A20119A	PWB ASS'Y, DISPLAY
12 - B	6871A10013K	PWB ASS'Y, MAIN
13 - B	2H01102A	SYNCHRONOUS MOTOR
14 - B	3550AR7245A	COVER, CONTROL BOX
15 - B	4520AR4386A	LINK
16 - B	4520AR4339A	CAM
17 - B	6711A20035D	REMOTE CONTROL

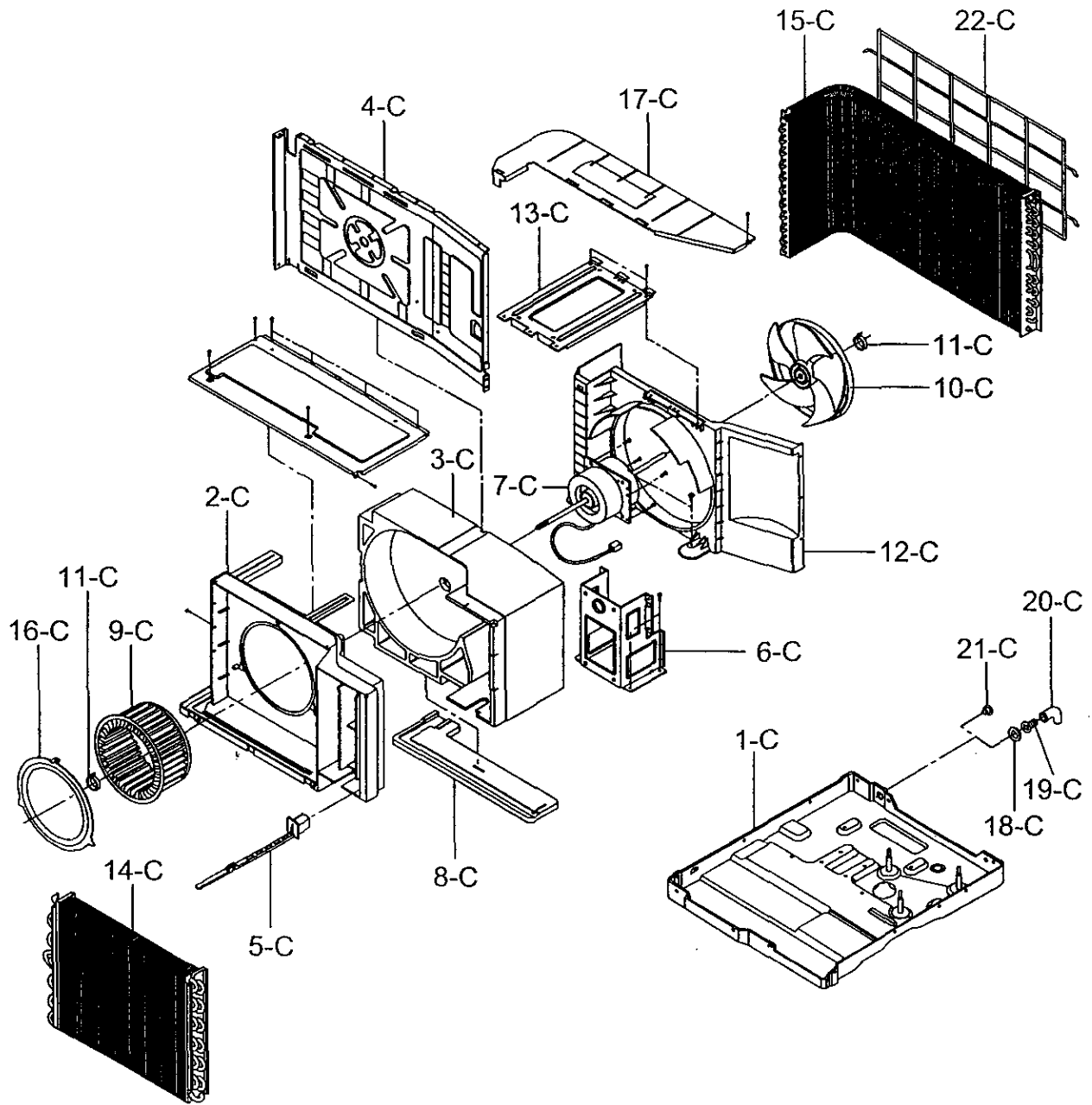
ENGLISH

# = Functional Parts

\* = Non-illustrated Parts

CAUTION: Use the Kenmore part number on all orders, not the illustration number.

**AIR HANDLING & CYCLE PARTS**



CAUTION: Use the Kenmore part number on all orders, not the illustration number.

### AIR HANDLING & CYCLE PARTS

POS. NO	PART NO	DESCRIPTION
1 - C	3041A30002K	BASE PAN WELD ASS'Y
2 - C	5238AR1584A	AIR GUIDE
3 - C	3072AR1583A	SCROLL
4 - C	4790AR1558A	BARRIER
5 - C	4900AR7265A	DAMPER
6 - C	4960AR1596A	MOTOR MOUNT
7 - C #	4681AR6033K	MOTOR ASS'Y
8 - C	3040AR6160A	INSULATION, EPS
9 - C #	5834AR1599A	BLOWER
10 - C #	5900AR1508A	FAN
11 - C	3H02932C	CLAMP SPRING
12 - C	4998AR1597A	SHROUD
13 - C	4800AR7272A	BRACE
14 - C #	5421A20059A	EVAPORATOR ASS'Y
15 - C #	5403A20004F	CONDENSER ASS'Y
16 - C	4948A30006A	ORIFICE
17 - C	3550AR6173A	COVER, SHROUD
18 - C	4H01029F	WASHER RUBBER
19 - C	3H02773A	DRAIN PIPE
20 - C	4H00261A	PIPE ELBOW
21 - C	4H02023A	HOLE RUBBER
22 - C	3530A20002B	GRILLE, REAR

ENGLISH

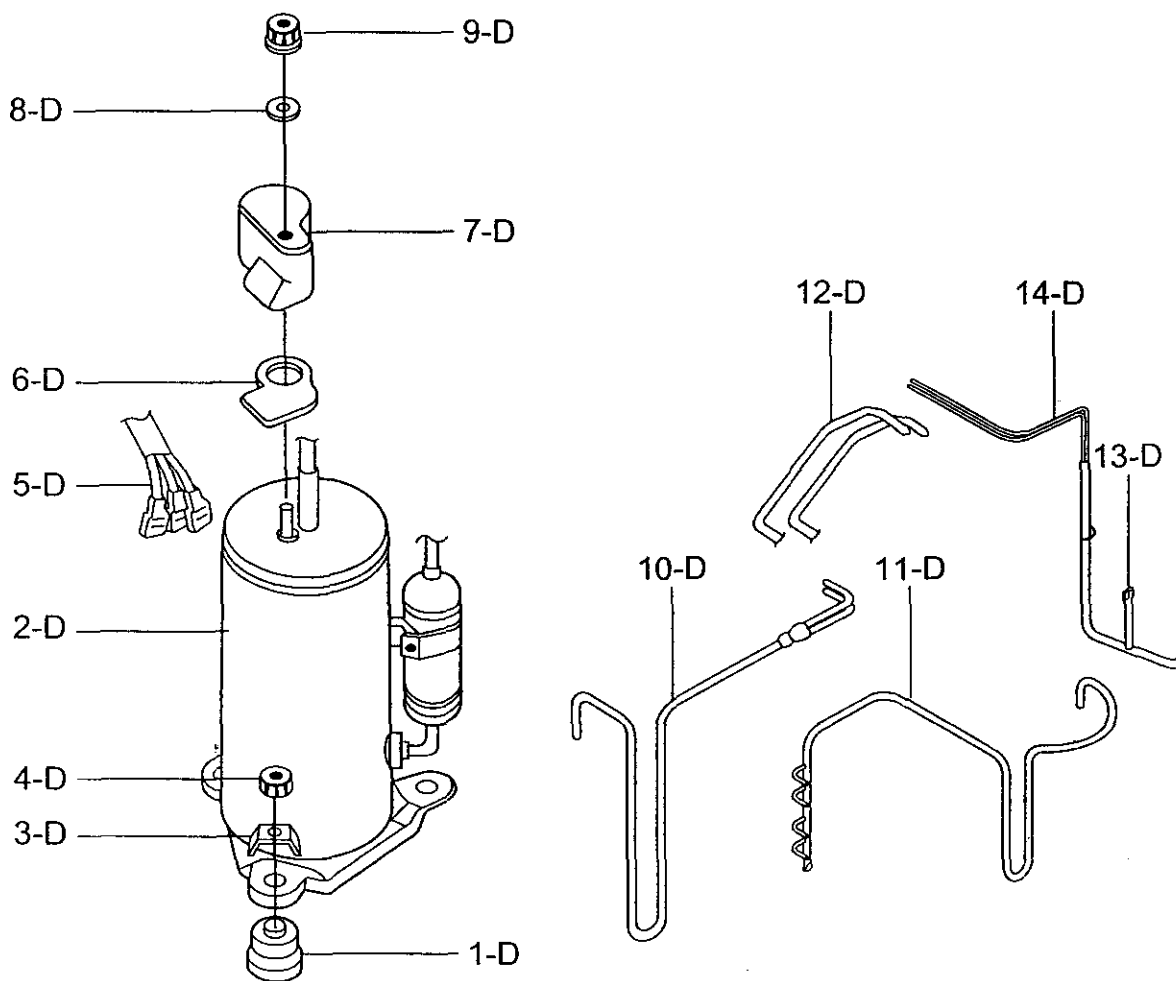
# = Functional Parts

\* = Non-illustrated Parts

CAUTION: Use the Kenmore part number on all orders, **not** the illustration number.

### COMPRESSOR PARTS

---



CAUTION: Use the Kenmore part number on all orders, not the illustration number.

### COMPRESSOR PARTS

---

POS. NO	PART NO	DESCRIPTION
1 - D	4H00982C	ANTI-VIBRATION BUSHING
2 - D #	5416A20003J	COMPRESSOR ASS'Y
3 - D	4H01811C	BRACKET, WASHER
4 - D	1NHA0801206	HEXAGON NUTS
5 - D	6877A20002B	CONNECTOR ASS'Y
6 - D	4986U-L001D	GASKET
7 - D	3550U-L002C	TERMINAL COVER
8 - D	4H01058A	GASKET NUT
9 - D	4H00947A	TERMINAL COVER NUT
10 - D	5211A30066K	TUBE ASS'Y, DISCHARGE
11 - D	5211A20204A	TUBE ASS'Y SUCTION
12 - D	5210A20351B/352B	TUBE FORMED EVAPORATOR
13 - D	5211AR7059A	TUBE CONNECTION, COND. OUT
14 - D	5210A30040N	TUBE, CAPILLARY

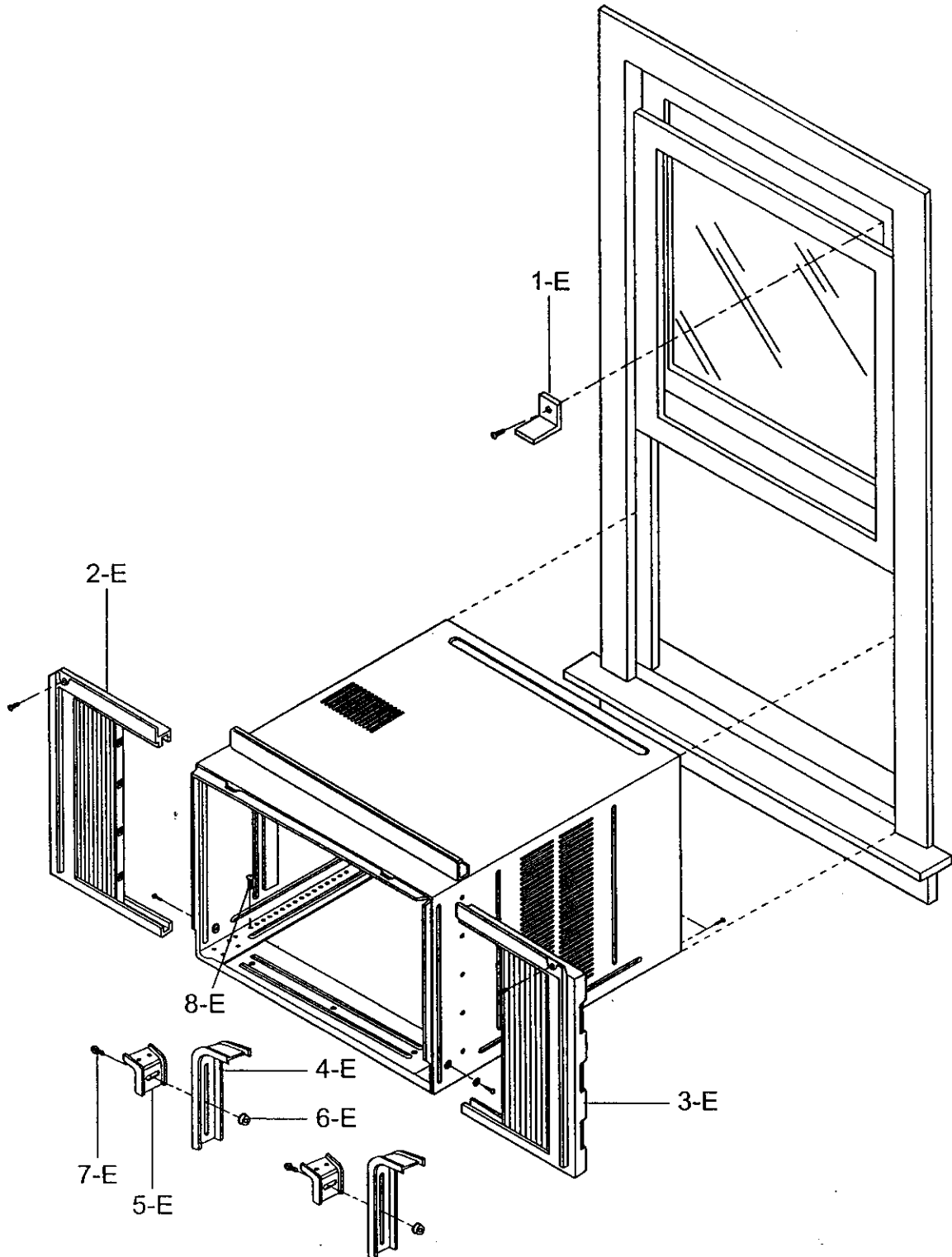
ENGLISH

# = Functional Parts

\* = Non-illustrated Parts

CAUTION: Use the Kenmore part number on all orders, not the illustration number.

**INSTALLATION KIT ASS'Y**





580.71184100

CAUTION: Use the Kenmore part number on all orders, not the illustration number.

### INSTALLATION KIT ASS'Y

---

POS. NO	PART NO	DESCRIPTION
1 - E	4H01785B	L BRACKET
2 - E	4959AR3402E	CURTAIN ASS'Y
3 - E	4959AR3402F	CURTAIN ASS'Y
4 - E	3H01479D	SUPPORT BRACKET
5 - E	3H01395C	SILL BRACKET
6 - E	4H01516A	LOCK NUT
7 - E	4H01483A	CARRIAGE BOLT
8 - E	4H01482A	M-SCREW

ENGLISH

# = Functional Parts

\* = Non-illustrated Parts