

SEARS

OWNER'S MANUAL

MODEL NO.
303.936613

CAUTION:
Read and Follow
All Safety Rules and
Operating Instructions
Before Starting
Installation or First
Use of This Product.

Save This Manual for
Future Reference.



Kenmore 2500 15 GALLON CENTRAL HUMIDIFIER

- Installation
- Maintenance
- Repair Parts
- Troubleshooting

contents

WARRANTY	2	UNDERSTANDING HUMIDITY	3	HUMIDISTAT	8
BEFORE YOU START		SELECTING A LOCATION	4	OPERATION	9
Rules for Safe Installation		INSTALLATION	4	MAINTENANCE	9
and Operation	2	DISASSEMBLY	4	SERVICE HINTS	10
Tools and Materials Needed	2	WATER SUPPLY	6	REPAIR PARTS	11

introduction

Please read the instructions before you install and use your humidifier. This will help you obtain the full value from the humidifier. It will also help you avoid any needless service cost, if the problem is something we cannot control and cannot cover in our Warranty.

FULL ONE YEAR WARRANTY ON HUMIDIFIER

If, within one year from the date of purchase, this humidifier falls due to a defect in material or workmanship, Sears will repair it, free of charge.

WARRANTY SERVICE IS AVAILABLE BY SIMPLY CONTACTING THE NEAREST SEARS STORE OR SERVICE CENTER IN THE UNITED STATES.

This warranty gives you specific legal rights, and you may also have other rights which vary from state to state.

This warranty **DOES NOT** cover the replacement media pad.

Sears, Roebuck and Co., Dept. 817WA, Hoffman Estates, IL 60179

DO-IT-YOURSELF CHECK LIST

If you feel the following operations are within your skills, you should have no difficulty installing this humidifier.

- Cutting and drilling sheet metal.
- Using hand tools: screwdriver, wrench, etc.
- Hooking up low voltage electrical connections.

You must realize that the wrong use of any tool can be dangerous. Be sure you know how to use the tools and equipment to avoid any possible hazards. If you have any doubt we ask that you contact your Sears salesperson. They will arrange for professional installation.

SEARS INSTALLATION POLICY

All installation labor arranged by Sears will be performed in a neat, workmanlike manner in accordance with generally accepted trade practices. Further, all installations will comply with all local laws, codes, regulations, and ordinances. The customer will also be protected, during installation, by insurance relating to property damage, Workman's Compensation, and public liability.

SEARS INSTALLATION WARRANTY

In addition to any warranty extended to you on the Sears merchandise involved, which warranty becomes effective the date the merchandise is installed, should the workmanship of any Sears arranged installation prove faulty within one year, Sears will, upon notice from you, cause such faults to be corrected at no additional cost to you.

before you start

RULES FOR SAFE INSTALLATION & OPERATION

1. Read these rules and the instructions carefully. Failure to follow the rules and instructions could cause bodily injury and/or property damage.
2. Check your local building codes and utility standards. The installation must comply with their rules.
3. Always shut off the furnace blower before installing or servicing the humidifier.
4. Always wear safety glasses when installing or servicing.
5. HUMIDIFIER MUST NOT BE INSTALLED IN AREA WHERE FREEZING IS POSSIBLE OR LEAKING WOULD CAUSE WATER DAMAGE.
6. Follow a regular service and maintenance schedule.
7. Always shut off electricity and water to the humidifier before servicing.
8. When the furnace blower is used for air-conditioning, the humidifier damper should be closed, and the humidistat should be turned to the minimum humidity setting.
9. NEVER OIL ANY PART OF THE HUMIDIFIER.

10. To prevent over humidification, humidifier must not be operated above humidistat high position or above the +20 position (whichever applies) except briefly to test operation after installation or servicing.

TOOLS AND MATERIALS NEEDED

- Safety Glasses
- Straight edge ruler
- Pencil or grease pencil
- Hand drill or grounded electric drill
- Drill bits, 5/32", 1/8"
- Tin snips or metal cutting saw
- Screwdriver (flat point, medium size)
- File
- Level
- Hammer
- Small adjustable wrench
- Center punch

THANK YOU!

Thank you for selecting a Sears Humidifier. It will provide years of service if you give it a little care.

UNDERSTANDING HUMIDITY

Humidity can be puzzling. It cannot be seen, heard, touched, smelled or tasted. Many people do not understand what a humidifier will or will not do.

Probably the best way to judge whether the humidity is too high, too low or about right is to watch your windows. If they are heavily fogged you most likely have too much. If there is no moisture on

them at all, especially in the corners, you have too little. (*NOTE: Moisture will not normally form on thermopane or when storm windows are used.*) If there is some moisture in the window corners and along the edges, the humidity is just about right. This is a good rule of thumb, if you do not have an expensive piece of testing equipment. Your comfort is another good check.

TYPICAL QUESTIONS ASKED

1. Why do moisture requirements vary from home to home?

Requirements depend on the amount and dryness of air to be humidified. The larger and more loosely constructed the home, the greater the quantity of moisture required.

2. How can I best check my home's relative humidity?

First give your humidifier time to build up the humidity to an acceptable level. Instruments are available to measure relative humidity, but from a practical standpoint, your comfort is the best guide. You cannot depend on table top or wall hung dial gauges .

3. How long will it take my humidifier to build up the humidity in my home?

Much depends on the outside temperature, time of year, home construction, and how dried out the home has become. In some cases, it may take a week or more.

4. What are some of the common things that cause higher than average air leakage in the home, therefore causing low humidity?

- A. Jalousie windows
- B. Open fireplace dampers
- C. Cracks around windows and doors
- D. Open doors and windows
- E. Unusually large attic or foundation vents
- F. Range hoods and bath fans

5. What else causes static shock besides low humidity?

Some types of carpets tend to create more static than others. While the proper humidity level will reduce the static level, it may not eliminate static entirely.

6. What is the safe humidity level for my home?

In order to determine the safe relative humidity for homes exposed to various low outside temperatures, NESCA* conducted tests and published recommended humidity levels for various outdoor temperatures. These are shown in the chart. These levels help prevent damage to your home such as water running down the walls or even building up inside the walls.

The safe indoor relative humidity percentage is not a fixed number but will increase or decrease as the outdoor temperatures rise or fall.

Outside Temperatures	Maximum Safe Recommended Indoor Relative Humidity
-10° F	20%
0° F	25%
10° F	30%
20° F	35%
30° F	35%

*NESCA = National Environmental Systems Contractors Association.

selecting a location

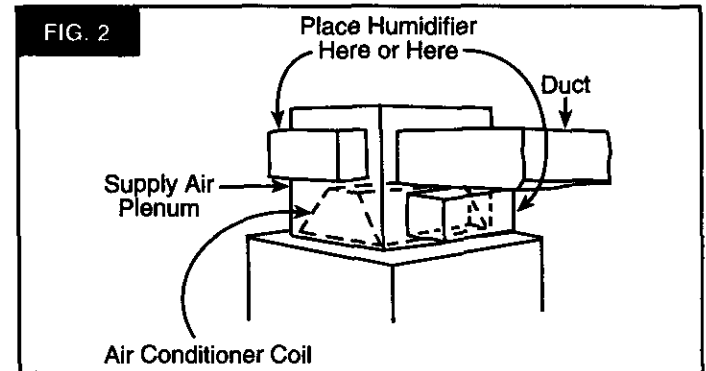
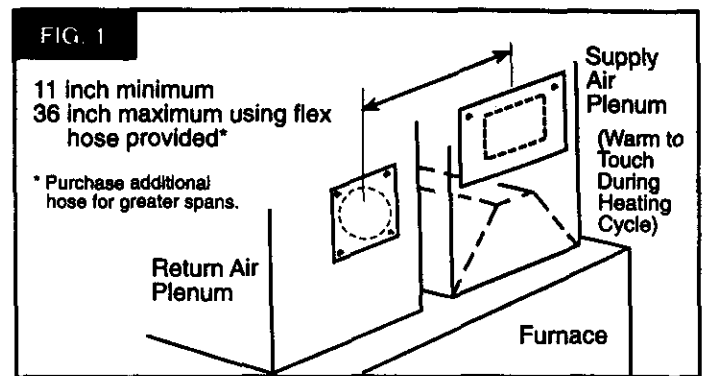
Consider these points as you choose the location for your humidifier.

Locate humidifier on supply air plenum (Fig. 1) or return air plenum. If the humidifier is installed on the return air plenum, the flexible hose, round opening, is connected to the supply air plenum.

If furnace is equipped with air conditioning, humidifier should be mounted above or at slope side of "A" coil to avoid possible splashing (Fig. 2) of water in reservoir.

Humidifier should be installed so that if the humidifier or any other connections should leak, the resulting flow of water will not cause damage. Under no condition is Sears and the manufacturer to be held liable for any water damage in connection with this humidifier. Never install humidifier in attic or crawl space where freezing may occur or leaking will cause water damage.

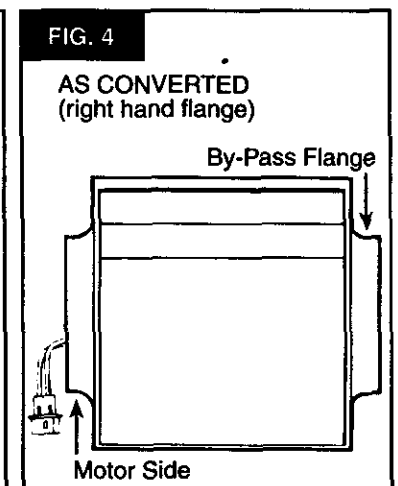
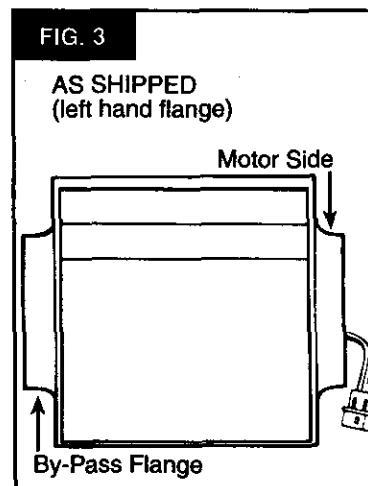
If holes between supply air plenum and return air plenum must be located more than 36 inches apart (Fig. 1), standard 6 inch round pipe and fittings (not supplied) may be used, or an 8 foot section of flexible tube No. 281152-05 may be purchased through the Sears parts department. Materials needed for this type installation are available at Sears.



inspection

This humidifier is assembled with the bypass duct on the left side (Fig. 3). This is suitable for installation as shown in Fig. 1. If this is suitable for your installation, remove parts as shown under **Disassembly**. Skip conversion steps A, B, and C. Start your installation with Step 1, Page 5.

If you require the motor on the left side (Fig. 4), remove parts under **Disassembly**, and start with "A."



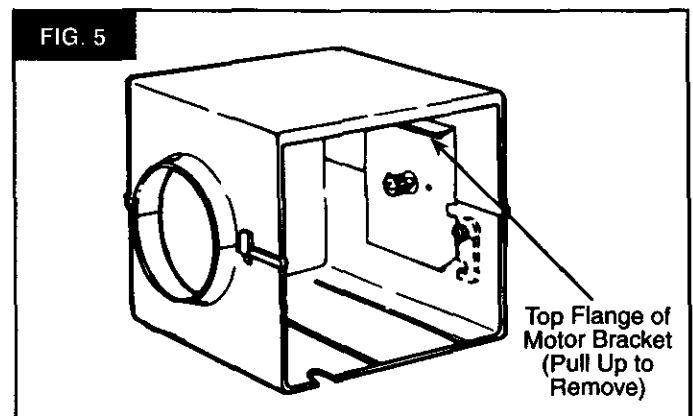
SAFETY GLASSES SHOULD BE WORN TO PREVENT EYE INJURY WHEN INSTALLING HUMIDIFIER.

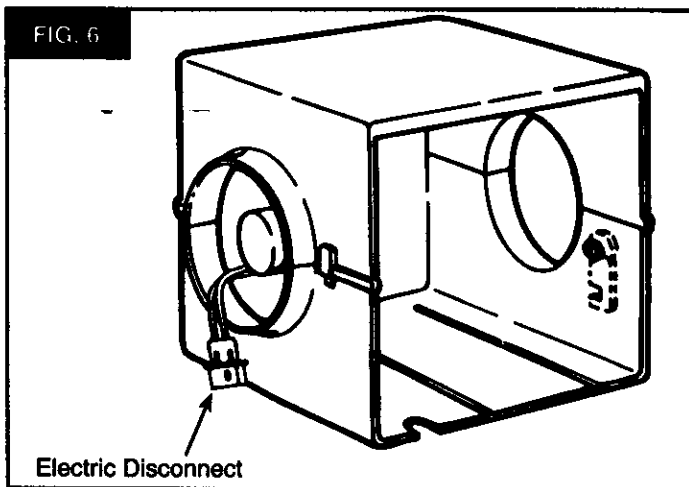
disassembly

- Take off front panel by sliding panel up and pulling out at the bottom.
- Remove media wheel and reservoir by sliding reservoir straight out toward you while raising latch on right hand side.
- Lift media wheel out of reservoir by flexing wire support outward to release shaft.

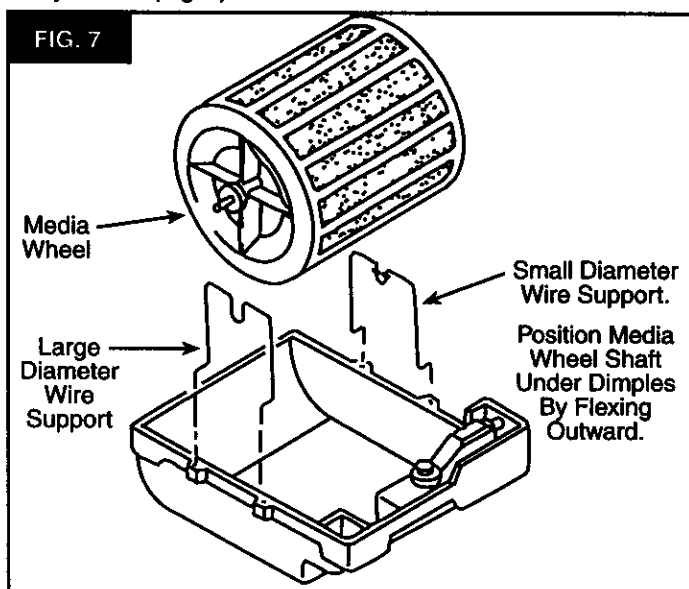
conversion (if required, see "Inspection" above)

- **A** From inside pull motor bracket up by top flange (Fig. 5).





B Install motor bracket on left side. Make sure bracket is firmly seated (Fig. 6).



C Remove media wheel wire supports from reservoir. Insert large diameter wire support on left side of reservoir and small diameter wire support on right side of reservoir. Place media wheel in wire supports with gear on left side of reservoir. (Flex wire support outward to capture media wheel shaft under dimples.) Fig. 7.

Unit is now converted to a left side motor.

Installation (on sheet metal plenum duct)

NOTE: Figures 8 & 9 show humidifier installation on supply air plenum for illustration purposes only. If more convenient, humidifier may be mounted on return air plenum. If humidifier is installed on the return air plenum, the flexible hose (round collar opening) is connected to the supply air plenum.

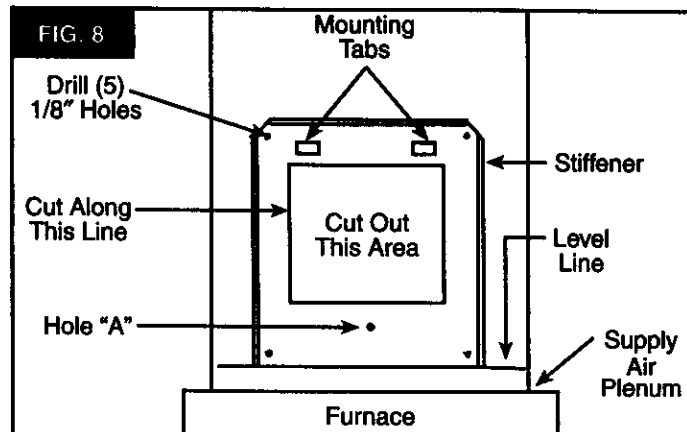
FIBER PLENUM DUCTS

NOTE: The mounting screws supplied are for standard installation on sheet metal plenum ducts. If you have fiber plenum ducts, install the humidifier and components with thru-bolts, nuts, and washers (not supplied). If necessary, reinforce the humidifier mounting area on fiber ducts with sheet metal and provide additional bracing as required to support the weight of the humidifier and water. (This fiber duct installation hardware is not supplied and must be purchased from your local hardware store.)

1 Mark a level line on plenum. Hold stiffener against the plenum with bottom edge on level line and flanges toward you. Mark the location of all holes including large rectangular opening in center on plenum (Fig. 8).

2 Drill or punch a large hole in one corner of rectangle. This will allow you to insert the tin snips or metal saw.

CAUTION: BE SURE NOT TO DRILL OR CUT INTO AIR CONDITIONING COIL OR TUBING.



3 Cut out the area inside the rectangle. If any of the edges are rough, file them smooth.

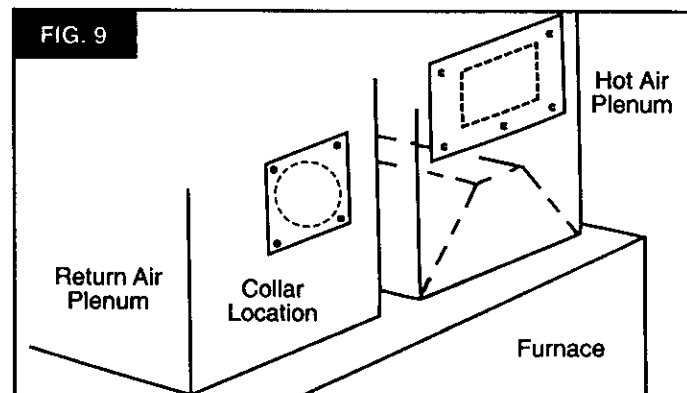
4 Drill the remaining holes marked on the plenum with a 1/8" drill bit.

5 Mount the stiffener with the flanges toward you using the four corner mounting holes. Do not use Hole "A". Make sure stiffener is flush with the plenum. Seal around edge with caulking if necessary (Fig. 8).

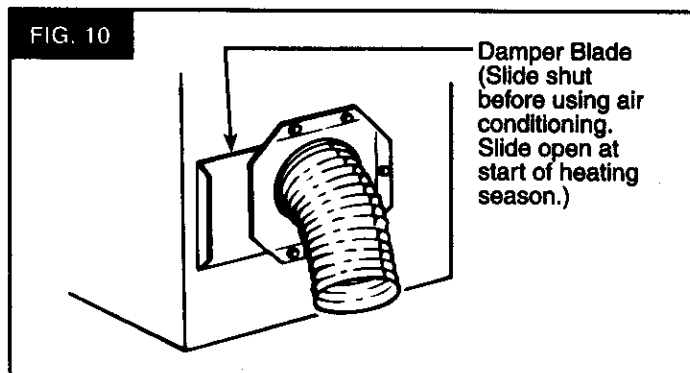
6 Hang the humidifier case on the mounting tabs. The tabs may have to be bent out slightly to mount the case. Secure the case to the stiffener with a sheet metal screw in hole "A".

NOTE: It is very important that the case is secured. If the case is not attached with the screw, it could be dropped and damaged during routine maintenance.

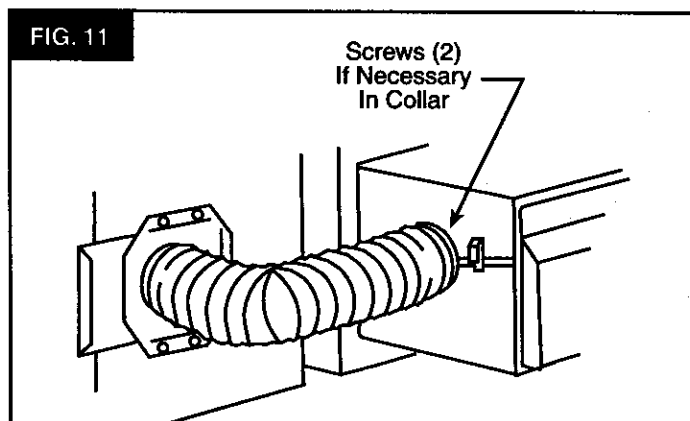
7 Position collar at selected location. Mark center opening and (5) holes. Cut out center opening and drill (5) 1/8" holes.



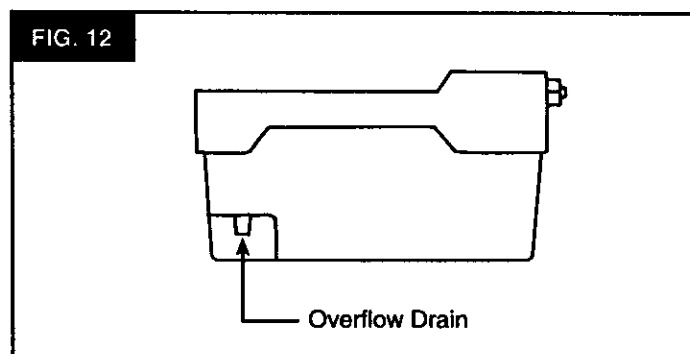
- 8** Attach collar and flexible hose to plenum. If additional flexible hose is required, an eight foot length is available through the parts department, order 281152-05. Before tightening screws, insert damper between collar and plenum (Fig. 10). It should be open for humidifier operation.



- 9** Connect the flexible hose as shown using clamp provided. Do not allow flexible tube to come within 3" of furnace flue pipe because of flue pipes extreme heat. If hose is under stress (pulling), it may be necessary to drill 2 holes in humidifier collar for screws. This will prevent clamp from slipping off (Fig. 11).



- 10** It is best to install an overflow line. Local codes may require overflow protection. The overflow is in the bottom of the humidifier reservoir (Fig. 12). Use 1/2" inside diameter rubber or plastic tubing to connect to nearby floor drain. (Tubing not supplied. Overflow tubing is available at your local hardware store.)



- 11** Install media wheel and reservoir tray in humidifier case and engage latch on right hand side to valve body inlet stem.

Installation

WATER SUPPLY

- 1** Water for the humidifier must be taken from a nearby cold water line. Turn off the water supply. Drain by opening a faucet at a lower level of the line.

- 2** Position the saddle valve on the water line as close to the humidifier as possible. You have been supplied with 10 feet of 1/4" plastic tubing.

SPECIAL NOTE: When measuring the distance from the saddle valve location to the humidifier, keep in mind that the tubing must be supported; therefore, it must run along ceiling and walls. Measure along the path the tubing will follow.

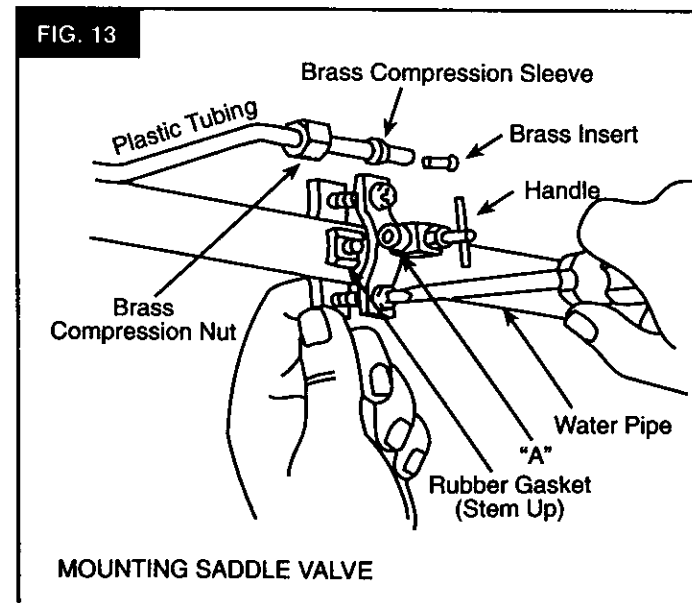
- 3** Back out the piercing pin by turning the "T" handle counter clockwise and then clamp the saddle valve body securely on the water line with rubber gasket positioned as shown (Fig. 13). On galvanized or copper pipe over 5/8", first drill a 5/32" hole.

CAUTION: For safety, use a hand drill or grounded electric drill.

- 4** Turn handle clockwise until it has pierced the water line and valve is completely closed (Fig. 13).

- 5** Partially uncoil the tubing. Slide the brass compression nut over the tubing. The threads in the nut must face the tubing end. Place the brass compression sleeve as shown in Fig. 13. Slip brass insert into end of tubing.

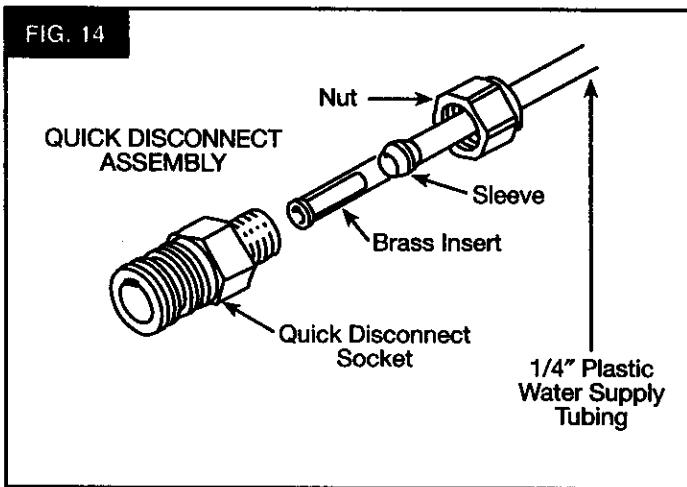
- 6** Insert the tubing end into the saddle valve at threaded stem "A" (Fig. 13) as far as it will go. Thread the brass compression nut onto the valve, then tighten gently with a wrench. Take care not to overtighten the nut.



7 Unwind the rest of the tubing. Take care not to kink it. Run the tubing along flat surfaces to the humidifier. Support the tubing as needed to avoid contact with furnace.

8 Close previously opened faucet. Turn on main water supply. Place a pail under the end of the tubing. Open the saddle valve. Flush the line. Make sure there are no leaks along the line or at the valve. Turn valve off.

9 Remove the quick disconnect socket, brass compression nut, and brass sleeve from hardware bag (Fig. 14). With water supply tubing cut to the proper length, slide the brass compression nut and sleeve over the tubing as described in Step 5, Page 6. Slip brass insert into the end of tubing.

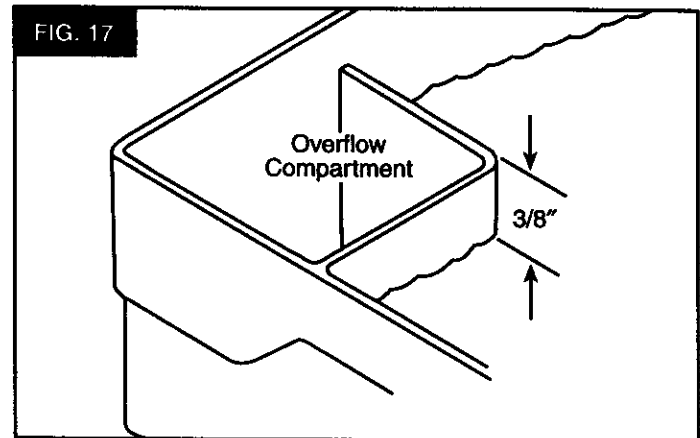
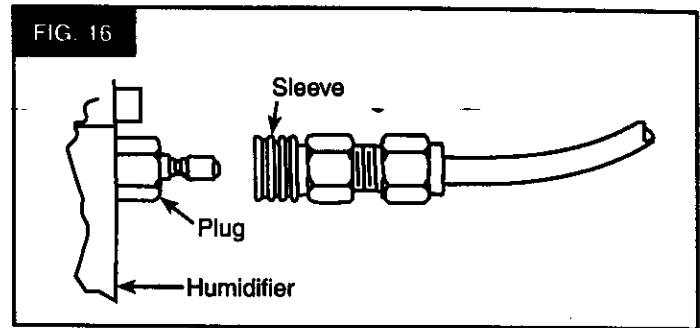
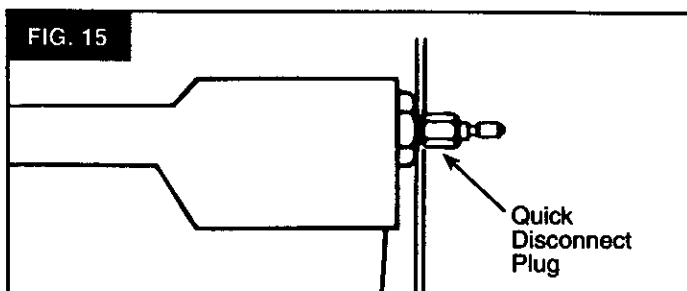


10 Insert the tubing end into the quick disconnect socket as far as it will go and hold it there, thread the brass compression nut onto the quick disconnect socket, then tighten using two wrenches, one to hold quick disconnect socket and one to tighten nut. **DO NOT** over tighten nut.

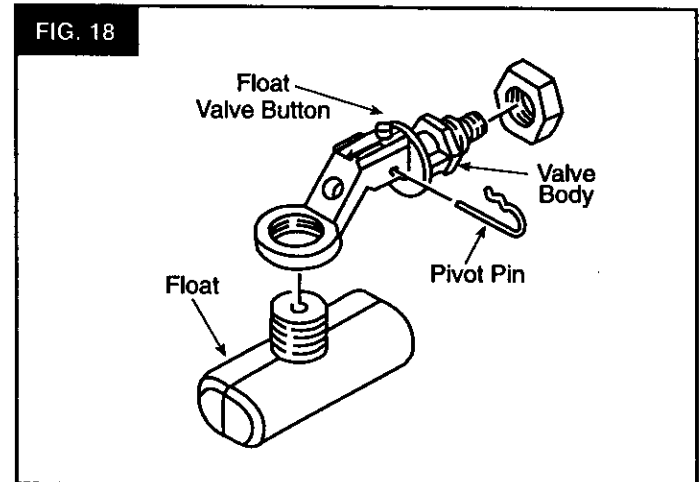
11 Connect the quick disconnect socket to the plug on the valve body (Fig. 16).

To connect, pull back sleeve, push socket onto plug, release sleeve.

To disconnect, pull back sleeve, unlocking quick disconnect and sealing water supply line, separate from plug.



12 Turn on water supply at saddle valve. Check water level. Water should be 3/8" below top of overflow compartment wall (Fig. 17). If adjustment is necessary, disconnect water supply tubing, and remove float assembly (Fig. 18). See instructions on bottom of float. To raise water level, turn float clockwise. To lower water level, turn float counterclockwise.



13 Attach front panel. Be sure lip at bottom of front panel is inside lip at front edge of humidifier case.

Installation

HUMIDISTAT

The humidistat is designed to mount on the cold air plenum of your furnace or on an interior wall of the home. The cold air plenum, however is the preferred location for sensing the average humidity throughout your home. Select your location and follow the appropriate instructions.

NOTE: THE HUMIDISTAT AS SUPPLIED IS ASSEMBLED FOR COLD AIR PLENUM INSTALLATION (FIG. 20).

cold air plenum mount (Fig. 20)

1 Select a location that is a minimum of 6" upstream on cold air plenum (Fig. 19). Peel off paper backing and position template supplied, drill four 1/8" diameter holes and cut out center portion along solid line. Peel off backing and apply gasket material as indicated by dashed lines.

CAUTION: DO NOT install humidistat on hot air plenum.

2 Remove knob and cover from humidistat. To remove cover, place screwdriver blade in slot at side of humidistat and twist.

3 Position humidistat in opening and fasten with four screws provided.

4 Install shaft extension. Install cover by snapping onto backplate. Press knob onto shaft extension.

5 Connect wiring (Fig. 21). Plug 24 VAC transformer into 120 VAC outlet. Do not use existing transformer on furnace.

6 Peel off backing and attach the operating instruction label to the cold air plenum next to the humidistat.

wall mount (Fig. 22)

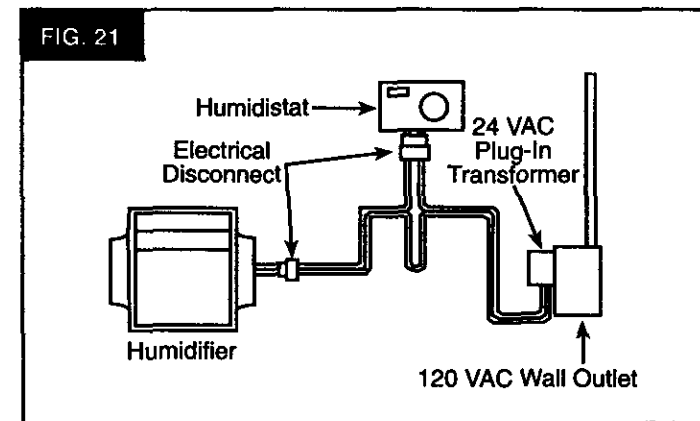
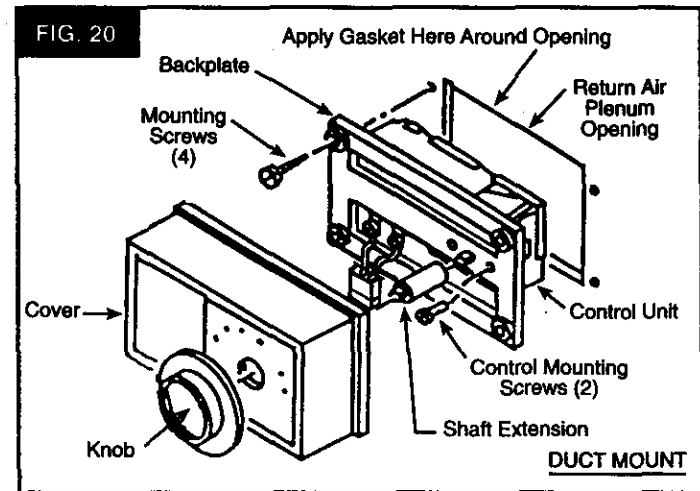
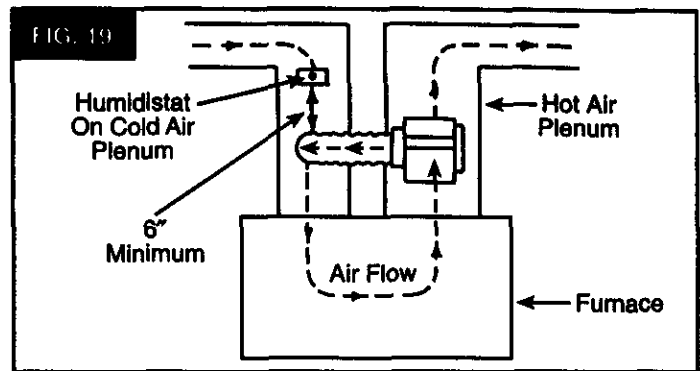
1 Remove knob and cover from humidistat. To remove cover, place screwdriver blade in slot at side of humidistat and twist.

2 Convert humidistat for wall mounting by removing control unit from backplate. Reassemble control unit to backplate as illustrated in Fig. 22 with spacers to rear and shaft forward. Remove electrical disconnect by cutting the (2) wires. Strip ends 1/2" for splicing to wall wire.

NOTE: Shaft extension is not required for wall mounting.

3 Select a location on a convenient inside wall, usually beside your furnace thermostat.

4 Run low voltage wire through the wall. Exit hole must be within the lower backplate opening. (Purchase additional wire as required.)

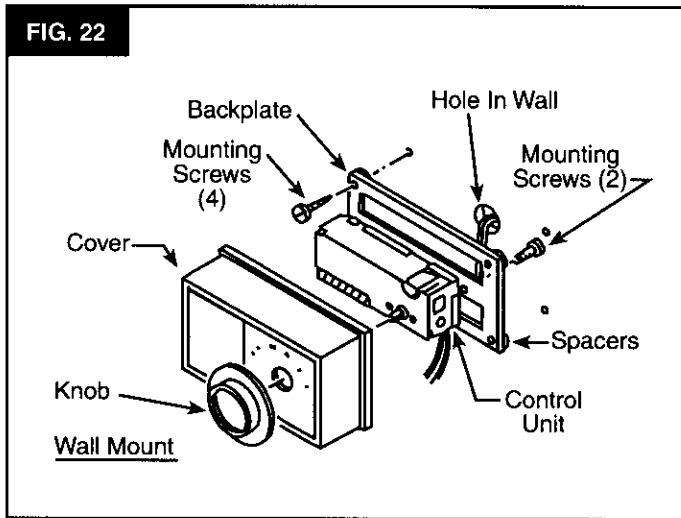


5 Connect low voltage wires from wall to previously cut leads on humidistat by stripping ends and using wire nuts (not provided). Position and fasten humidistat to wall with four screws provided. Install cover by snapping onto backplate. Press knob onto humidistat shaft. Make sure 1/8" air space is maintained between wall and backplate to allow air circulation and humidity sensing.

6 Connect wiring (Fig. 21). Remove electrical disconnect by cutting wires on harness, strip ends and splice to low voltage wire from wall humidistat using wire nuts. (Wire nuts not provided. Purchase them from your local Sears Hardware Store.) Plug 24 VAC transformer into 120 VAC outlet. Do not use existing transformer on furnace.

NOTE: Humidifier humidifies only when furnace is on, however, Media Wheel will turn whenever humidistat calls for humidity.

FIG. 22



NOTE: By turning knob to the test position humidifier should start. (Do not leave on test.) If the installation is being made in the summer or when the humidity is high, turn knob to the test position and the humidifier should start. When your system is working satisfactorily, turn knob back to the minimum humidity setting until winter.

operation

- 1** Set knob to the lowest temperature predicted for a 24-hour period. Because of differences in house construction you may want to try a higher or lower setting to achieve proper humidity.
- 2** Change knob settings as outdoor temperature changes occur.

WARNING:

DO NOT LEAVE KNOB SET ABOVE "+20" OR HUMIDIFIER WILL RUN CONSTANTLY AND MAY OVER HUMIDIFY YOUR HOME.

IF SWEATING OF WINDOWS OR WALLS OCCURS OR IF AIR IS TOO DRY:

Check dial setting. Indicator should point to the lowest 24-hour temperature. If setting does not agree, readjust knob to proper number and wait 24-hours for sweating to stop. If dial setting was correct and conditions have not changed, rotate knob back and forth from TEST to MINIMUM HUMIDITY SETTING. If humidifier goes ON and OFF, control is operating properly.

SPLASH INSIDE HUMIDIFIER:

This humidifier depends on the difference of air pressure between the supply air plenum and the return air plenum to propel air through the humidifier. Some furnaces have higher pressures than others. This could result in air travelling at high speed through the humidifier. This can cause droplets of water to be picked up and splashed against the inside of the humidifier case. Eventually a coating of lime will build up. It could in extreme cases, cause leaking of water from the humidifier. If possible, operate the furnace blower at a lower speed.

TO REDUCE SPLASH:

Partially close the damper located in the collar on the return air plenum. Some experimenting may be necessary to find the proper setting.

AIR CONDITIONING – IMPORTANT:

If your furnace has air conditioning (cooling), close the damper completely during summer months and turn the humidistat to the Minimum Humidity setting. **BE SURE TO OPEN DAMPER DURING HEATING SEASON.**

CAUTION:

Do not use tablets in an attempt to control lime deposits in this humidifier! Use of tablets may cause humidifier to splash causing damage to humidifier or furnace.

maintenance

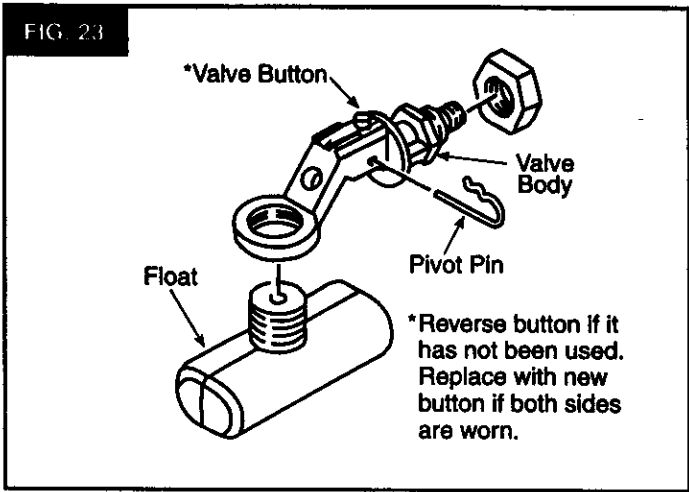
CLEANING AND SERVICE INSTRUCTIONS:

This humidifier is an appliance which works with water. The dissolved minerals normally found in tap water are left as lime deposits in the humidifier. **REGULAR CLEANING** is necessary to keep the parts free of lime deposits. Deposit build-up will reduce humidifier output. Ease of servicing has been foremost in the design of this humidifier. **Service at least every (4) four weeks during the heating season or more often depending on the water conditions.**

1. Turn humidistat to minimum humidity setting.
2. Disconnect water supply at the humidifier using the quick disconnect. The water is automatically shut off.
3. Remove the front panel of the humidifier, remove drain line (if used) and slide out reservoir and media wheel while raising latch on right hand side.
4. Lift out the media wheel by flexing wire support outward to release shaft.
5. Pull out stainless steel pivot pin and remove float and float arm.
6. Pour contents of reservoir down the drain.
7. Lift out the reservoir liner and replace, (Part No. 215711-01), or clean.
8. Clean lime from all parts using a solution of vinegar and water, detergent and water, or Sears All-Purpose Humidifier Cleaner (Stock No. 42-14713).
9. Remove media pad from inside of wheel and clean thoroughly, replace if necessary (Sears Stock No. 42-9335). **IMPORTANT: Stretch media lengthwise before placing in wheel.**
10. If the Reservoir has been overflowing, the Float Valve Button may be worn. In normal operation this button will erode eventually much like a faucet washer. Remove the Float Valve Button, turn it over and reinsert or replace after both surfaces are worn (Fig. 23). Replacement buttons are available at Sears.
11. Reassemble unit (flex wire support outward to capture media wheel shaft under dimples), connect water supply and drain line (if used), and turn humidistat to desired setting. Unit is back in operation.

NOTE: Make sure latch on right hand side is engaged to float valve body inlet stem. This prevents reservoir movement and possible disengagement of media wheel gears during operation.

FIG. 23



SUMMER SHUT DOWN:

Unplug transformer, close saddle valve, close bypass damper. CLEAN PER ABOVE AND LEAVE RESERVOIR EMPTY. (As a

reminder, you may want to put a tag or sticker on the unit indicating it has been shut down for the summer and will require start up in the fall.)

FALL START UP:

Plug in transformer, open saddle valve, open bypass damper and set humidistat to TEST position. Check for proper water level and media wheel operation. Set humidistat according to outdoor temperature as instructed on label.

SERVICING THE FLOAT

If the humidifier has been overflowing, the float valve button may be worn. This button will wear much like a faucet washer. To service:

1. Disengage quick disconnect.
2. Remove float from humidifier (pull out pivot pin).
3. Service float as shown in illustration at left.
4. Reinstall and test float.

service hints

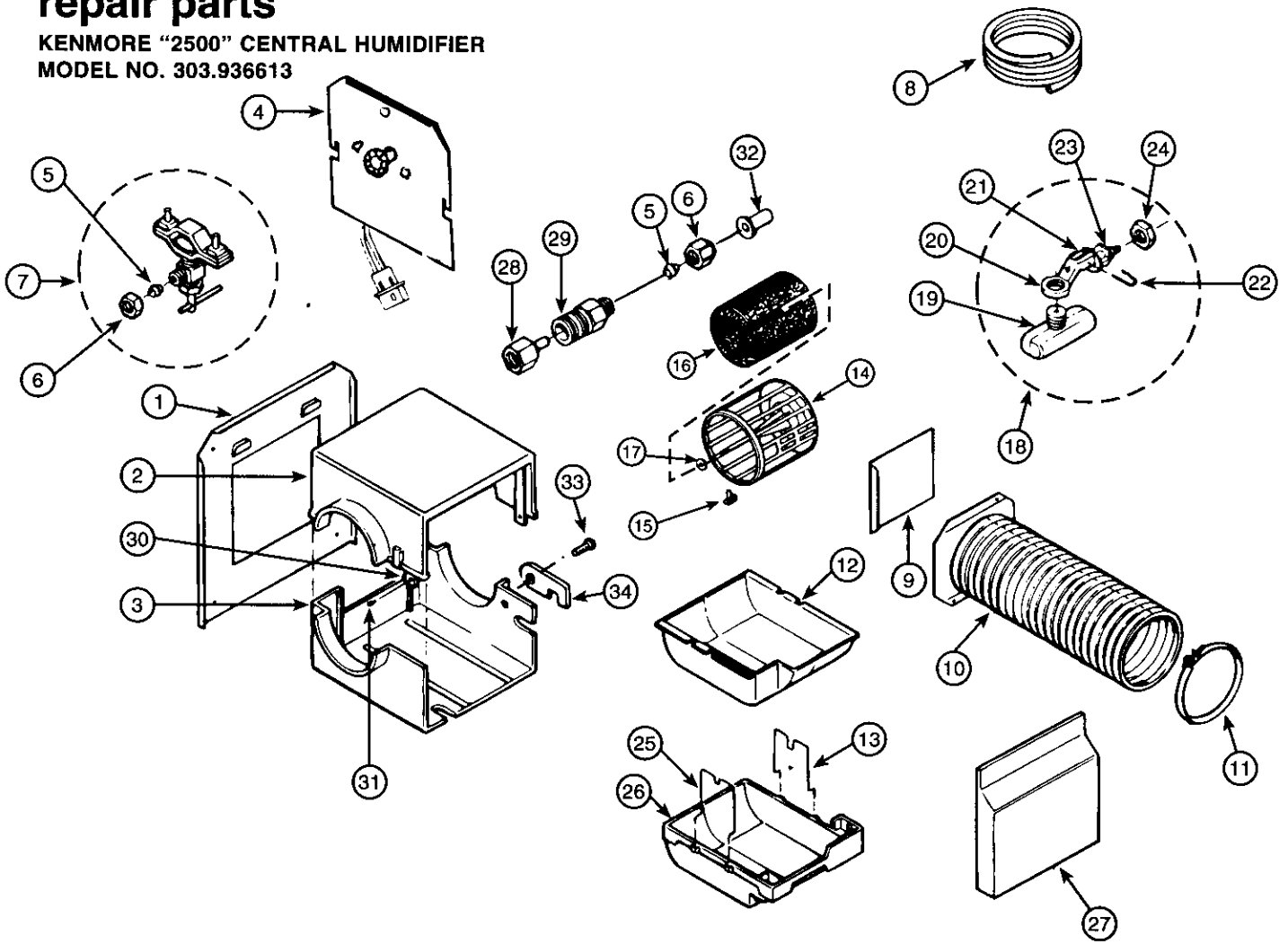
Frequently what seems to be a major problem can be solved very easily. Listed below are the common concerns with any humidifier.

Check the simple things first. Remove the front panel and see if there is a crusty, white lime build-up on the media pad. The lime build-up won't hurt the humidifier, but will reduce its output. Low output might just mean your humidifier needs cleaning. While you're checking for lime build-up, look to see if the media wheel is turning. If not, check the power supply.

CONDITION	WHAT TO CHECK	WHAT TO DO
Too little Humidity	<ol style="list-style-type: none"> 1. Does humidifier need cleaning. 2. Is media wheel rotating? 3. Humidistat setting. 4. Water to unit. 5. Excessive air loss in house. 6. Is water level correct? 7. Is damper open? 	<ol style="list-style-type: none"> 1. Clean humidifier and clean or replace media pad and reservoir liner. 2. <ol style="list-style-type: none"> a. Clean or replace media pad. b. Check to see if transformer is properly plugged in. c. Inspect main fuse or circuit breaker. d. Check to see if media motor is rotating. e. Humidistat setting too low, turn knob clockwise to increase humidity. 3. Set for proper outdoor temperature - lowest 24-hour temperature. 4. Turn on saddle valve and check for possible obstruction in water line. Is water supply connected? 5. Close fireplace damper, seal around doors and windows. 6. Adjust float. 7. Slide damper out for winter operation.
Too much Humidity	<ol style="list-style-type: none"> 1. Humidistat setting. 2. Other humidification sources. 	<ol style="list-style-type: none"> 1. Turn knob counterclockwise to decrease humidity. 2. May be a temporary condition caused by moisture from laundering, bathing, cooking, etc.
Humidifier Overflows	<ol style="list-style-type: none"> 1. Is humidifier level? 2. Float valve. 3. Air flow too high. 	<ol style="list-style-type: none"> 1. Level unit. 2. Service as shown in Fig. 23. 3. Adjust damper.
Humidifier Making Noise	<ol style="list-style-type: none"> 1. Mounting or plenum. 2. Water pressure. 3. Media Wheel. 	<ol style="list-style-type: none"> 1. Tighten all fasteners. 2. A slight sound is normal as water enters humidifier. 3. Check clearance of media wheel in reservoir.
Humidifier Motor Comes On When Furnace Isn't Running	<p>This is a normal condition</p> <ol style="list-style-type: none"> 1. If heating season is over. 2. If heating season is just starting. 	<ol style="list-style-type: none"> 1. Turn knob on humidistat to minimum setting. 2. This is a normal condition since humidistat is controlling humidifier.

repair parts

KENMORE "2500" CENTRAL HUMIDIFIER
MODEL NO. 303.936613



KEY NO.	PART NO.	DESCRIPTION	KEY NO.	PART NO.	DESCRIPTION
1	21571501	Plenum Stiffener	20	22513801	Float Arm
2	35586401	Upper Case	21	28110101	Float Valve Button
3	05301101	Lower Case (Includes Key Nos. 33 & 34)	22	28110201	Pivot Pin
4	21571601	Motor and Bracket	23	21569101	Valve Body
5	STD575026	Brass Compression Sleeve 1/4"	24	03029401	Locknut
6	STD575025	Brass Compression Nut 1/4"	25	21572601	Support Bracket (Shaft)
7	35561801	Saddle Valve (Includes Key Nos. 5 & 6)	26	21571001	Reservoir (Water Tray)
8	21582703	Plastic Supply Tubing (1/4" x 10')	27	21571202	Front Panel
9	43148901	Damper	28	21572701	Plug Quick Disconnect
10	43149102	Collar and Flexible Tube (3')	29	21586101	Socket/Quick Disconnect
11	21581001	Tube Clamp	30	03022701	U Type Speed Nut (4 Req.)
12	21571101	Reservoir (Water Tray) Liner	31	STD610603	Type B Screw (#6 x 3/8") (4 Req.)
13	21571901	Support Bracket (Gear)	32	41067501	Brass Insert (2 Req.)
14	21570901	Media Wheel with Gear	33	05299101	Push Rivet
15	21575001	Media Clip (3 Req.)	34	05299201	Latch, Reservoir Lock
16	35577002	Media Pad (42-9335)	*	STD610803	Screw (#8 x 3/8") (10 Req.)
17	03022815	Slinger Washer	*	21584001	Low Voltage Wire (10 ft.)
18	35561102	Float Valve (Includes Key Nos. 19-24)	*	35587301	Humidistat (24V)
19	42063901	Float	*	35575901	Transformer (24V)
			*	21596001	Owners Manual

THIS IS A PARTS LIST, NOT A PACKING LIST.

*Not Shown

**Kenmore 303.93661 FURNACE HUMIDIFIER MAINTENANCE
(APPLY THIS LABEL WHERE EASILY SEEN)**

*Cleaning frequency is dependent upon mineral content of water supply.
Check every other week until schedule can be determined.*

1. Turn humidistat to "minimum setting."
2. Disconnect water at humidifier using quick disconnect.
3. Remove front panel, remove overflow tubing (if used), slide out reservoir and media wheel assembly while raising latch on right hand side.
4. Lift out media wheel by flexing wire support outward to release shaft.
5. Pull out pivot pin, remove float and arm.
6. Empty water from reservoir.
7. Lift out reservoir liner and replace (part number 215711-01), or clean.
8. Clean residue and lime build-up from all parts using a solution of vinegar and water, detergent and water, or Sears All-Purpose Humidifier Cleaner (stock number 42-14713).
9. Remove media pad from wheel and clean thoroughly; replace pad if necessary - available from Sears (stock number 42-9335).
IMPORTANT: Stretch new pad lengthwise before placing in wheel.
10. If the reservoir has been overflowing the float valve button may be worn. Remove float valve button, turn over and reinsert or replace if both surfaces are worn. (Part Number 281101-01)
11. Reassemble parts in reservoir (Flex wire support outward to capture media wheel shaft under dimples) and slide back into humidifier. Engage latch on right hand side with float valve stem.
12. Attach water supply quick connect, attach overflow tubing (if used), and allow reservoir to fill.
13. Check water level and adjust float if required.
14. Turn humidistat to "test" momentarily and check for media wheel rotation. Reset humidistat according to outdoor temperature as instructed on label and reinstall front cover. Unit is back in operation.

Summer Shutdown

Unplug transformer, close saddle valve, close bypass damper. Clean per above and leave reservoir empty. (As a reminder you may want to put a tag or sticker on the unit indicating it has been shutdown and will require startup in the fall.)

Fall Startup

Plug in transformer, open saddle valve, open bypass damper and set humidistat to "test". Check for proper water level and media wheel operation. Reset humidistat according to the outdoor temperature as instructed on label. Unit is back in operation.

SEARS

OWNER'S MANUAL

**MODEL NO.
303.936613**

The model number of your humidifier is found on the serial plate attached to the side of humidifier.

When requesting service or ordering parts, always provide the following information:

- Product Type
- Model Number
- Part Number
- Part Description

Kenmore 2500 15 GALLON CENTRAL HUMIDIFIER

For the repair or replacement parts you need
Call 7:00 a.m. - 7:00 p.m., 7 days a week

1-800-366-PART
(1-800-366-7278)



For in-home major brand repair service
Call 24-hours a day, 7 days a week

1-800-4-REPAIR
(1-800-473-7247)



For the location of a
Sears Repair Service Center in your area
Call 24-hours a day, 7 days a week

1-800-488-1222



For information on purchasing a Sears
Maintenance Agreement or to inquire
about an existing Agreement
Call 9:00 a.m. - 5:00 p.m., Monday-Saturday

1-800-827-6655



SEARS
REPAIR SERVICES
America's Repair Specialists

Tell Sears You Want It Installed, Then Relax...

When Sears arranges the installation, you can be sure the job is done right. We will arrange for professional workmanship...and we'll take care of the entire project. What's more, during installation you get insured protection...against property damage and also against accidents to workmen. All you have to do is talk to your Sears salesperson or call **1-800-4MY HOME (1-800-469-4663)** or your nearest Sears store today for detailed information.

Sears, Roebuck and Co., Hoffman Estates, IL 60179 U.S.A.