

TABLE OF CONTENTS

WARRANTY STATEMENT	2	SERVICE AND ADJUSTMENT ..	16
SAFETY RULES	3	TROUBLE SHOOTING CHART ..	19
INTERNATIONAL SYMBOLS	5	REPAIR PARTS	20
ASSEMBLY	6	ENGINE REPAIR PARTS	25
OPERATION	8	SPANISH (ESPAÑOL)	31
MAINTENANCE	13	PARTS ORDERING/SERVICE ..	
		BACK COVER	

WARRANTY STATEMENT

LIMITED ONE-YEAR WARRANTY ON CRAFTSMAN CULTIVATOR

For one year from the date of purchase, when this Craftsman Cultivator is maintained, lubricated, and tuned up according to the operating and maintenance instructions in the owner's manual, Sears will repair, free of charge, any defect in material or workmanship.

This warranty excludes tine(s), spark plug, and air cleaner which are expendable parts and become worn during normal use.

If this Craftsman Cultivator is used for commercial or rental purposes, this warranty applies for only 90 days from the date of purchase.

WARRANTY SERVICE IS AVAILABLE BY RETURNING THE CRAFTSMAN CULTIVATOR TO THE NEAREST SEARS SERVICE CENTER/DEPARTMENT IN THE UNITED STATES. THIS WARRANTY APPLIES ONLY WHILE THIS PRODUCT IS IN USE IN THE UNITED STATES.

This warranty gives you specific legal rights, and you may also have other rights which may vary from state to state.

Sears, Roebuck and Co., D817WA, Hoffman Estates. IL 60179



WARNING:



Engine Exhaust, some of its constituents, and certain vehicle components contain or emit chemicals known to the State of California to cause cancer and birth defects or other reproductive harm.

Battery posts, terminals and related accessories contain lead and lead compounds, chemicals known to the State of California to cause cancer and birth defects or other reproductive harm. WASH HANDS AFTER HANDLING.

IMPORTANT: This unit is equipped with an internal combustion engine and must not be used on or near any unimproved forest-covered, brush-covered or grass-covered land unless the engine's exhaust system is equipped with a spark arrester meeting applicable local or state laws (if any). If a spark arrester is used, it must be maintained in effective working order by the operator.

In the State of California the above is required by law (Section 4442 of the California Public Resources Code). Other states may have similar laws. Federal laws apply on federal lands. See a Sears Authorized Service Center for a spark arrester for the muffler.

IMPORTANT

Safe Operation Practices for Cultivator



WARNING: Look for this symbol to point out important safety precautions. It means: "Attention! Become Alert! Your Safety Is Involved."



WARNING: To prevent accidental starting when setting-up, transporting, adjusting or making repairs, always disconnect spark plug wire and put wire where it cannot contact the spark plug .

IMPORTANT: Safety standards require operator presence controls to minimize the risk of injury. Your cultivator is equipped with such controls. Do not attempt to defeat the function of the operator presence control under any circumstances.

Before Use

- Read the owner's manual carefully. Be thoroughly familiar with the controls and the proper use of the cultivator. Know how to stop the cultivator and disengage the controls quickly.
- Do not operate the cultivator without wearing adequate outer garments. Wear footwear that will improve footing on slippery surfaces.
- Keep the area of operation clear of all persons, particularly small children and pets.
- Thoroughly inspect the area where the cultivator is to be used and remove all foreign objects.

Fuel Safety

- Handle fuel with care; it is highly flammable.
- Use an approved container.
- Check fuel supply before each use, allowing space for expansion as the heat of the engine and/or sun can cause fuel to expand.
- Fill fuel tank outdoors with extreme care. Never fill fuel tank indoors. Replace fuel tank cap securely and wipe up spilled fuel.
- Never remove the fuel tank cap or add fuel to a running or hot engine.

- Never store fuel or cultivator with fuel in the tank inside a building where fumes may reach an open flame.

Operating Safety

- Never allow children or young teenagers to operate the cultivator. Keep them away while it is operating. Never allow adults to operate the cultivator without proper instruction.
- Do not operate this machine if you are taking drugs or other medication which can cause drowsiness or affect your ability to operate this machine.
- Do not use this machine if you are mentally or physically unable to operate this machine safely.
- Always wear safety glasses or eye shields during operation or while performing an adjustment or repair to protect your eyes from foreign objects that may be thrown from the cultivator.
- Do not put hands or feet near or under rotating parts.
- Exercise extreme caution when operating on or crossing gravel drives, walks, or roads. Stay alert for hidden hazards or traffic.
- Exercise caution to avoid slipping or falling.
- Never operate the cultivator without proper guards, plates, or other safety protective devices in place.
- Never operate the cultivator at high transport speeds on slippery surfaces. Look behind and use care when backing.
- Never allow bystanders near the cultivator.
- Keep children and pets away while operating.
- Never operate the cultivator without good visibility or light.
- Do not run the engine indoors. The exhaust fumes are dangerous, containing CARBON MONOXIDE, an ODORLESS and DEADLY GAS.

IMPORTANT

- Take all possible precautions when leaving the cultivator unattended. Stop the engine.
- Do not overload the cultivator capacity by attempting to till too deep at too fast a rate.

Safe Storage

- Always refer to the owner's manual instructions for important details if the cultivator is to be stored for an extended period.
- Never store the cultivator with fuel in the fuel tank inside a building where ignition sources are present such as water and space heaters, clothes dryers, and the like. Allow the engine to cool before storing in any enclosure.
- Keep the cultivator in safe working condition. Check all fasteners at frequent intervals for proper tightness.

Repair / Adjustments Safety

- After striking a foreign object, stop the engine. Remove the wire from the spark plug,

and keep the wire away from the plug to prevent accidental starting. Thoroughly inspect the cultivator for any damage, and repair the damage before restarting and operating it.

- If cultivator should start to vibrate abnormally, stop engine and check immediately for the cause. Vibration is generally a warning of trouble.
- Stop the engine whenever you leave the operating position. Also, disconnect the spark plug wire before unclogging the tines and when making any repairs, adjustments, or inspections.
- When cleaning, repairing, or inspecting, shut off the engine and make certain all moving parts have stopped.
- Never attempt to make any adjustments while the engine is running except when specifically recommended by the manufacturer.

IMPORTANT INTERNATIONAL SYMBOLS

IMPORTANT: Many of the following symbols are located on your unit or on literature supplied with the product. Before you operate the unit, learn and understand the purpose for each symbol.

Control And Operating Symbols



Slow



Fast



Fuel



Oil

Choke OFF

Half Choke

Full Choke



Safety Warning Symbols



WARNING
Thrown Objects.
Keep Bystanders Away.



WARNING
Rotating Parts. Stop Engine.
Disconnect Spark Wire Before
Making Adjustments.



WARNING



IMPORTANT
Read Owner's Manual
Before Operating
This Machine.



WARNING
Wear Eye Protection



STOP

ASSEMBLY

ASSEMBLY

PARTS PACKED SEPARATELY IN CARTON

- 1 – Owner's Manual (not shown)
- 1 – 5.2 oz. 2-cycle Oil



1 – 5.2 oz. 2-cycle Oil



WARNING: Always wear safety glasses or eye shields while assembling the cultivator.

Figure 1 shows the cultivator completely assembled.

References to the right or left side of the cultivator are from the viewpoint of the operator's position behind the unit.

HOW TO REMOVE THE CULTIVATOR FROM THE CARTON

1. Remove the bottle of oil from the carton.
2. Remove the packing material positioned around the unit.
3. Lift the cultivator out of the carton and place on a hard level surface.

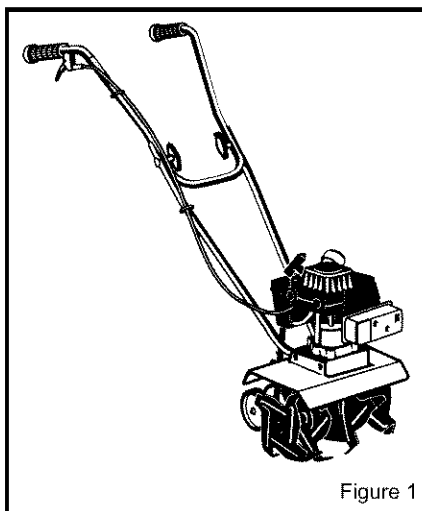


Figure 1

HOW TO RAISE THE HANDLE

1. Loosen the **knobs** (see Figure 2). Tilt the cultivator forward and rotate the **upper handle** to the upright position. Make sure the **throttle cable** is not caught between the handles.
2. Tighten the **knobs**.

NOTE: To tighten the knobs, hold the curved carriage bolt head against the outside of the lower handle as you tighten the knobs.

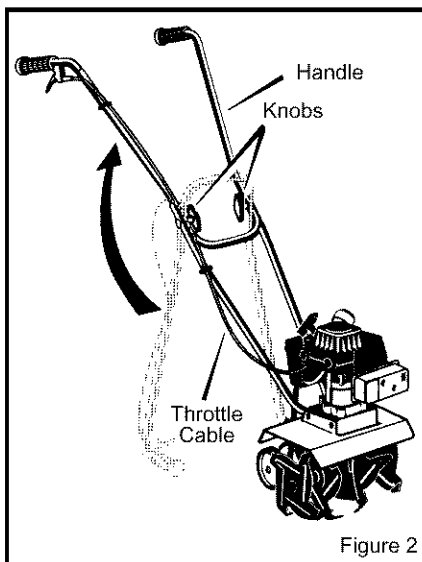


Figure 2

ASSEMBLY

✓ CHECKLIST

For the best performance and satisfaction from this quality product, please review the following checklist before you operate the cultivator:

- ✓ All assembly instructions have been completed.
- ✓ Check carton. Make sure no loose parts remain in the carton.
- ✓ All fasteners have been properly tightened.

As you learn how to use the cultivator, pay extra attention to the following important items:

- ✓✓ Fuel tank is filled with a fresh, clean, fuel mixture.
- ✓✓ Become familiar and understand the function of all controls. Before you start the engine, operate all controls.

OPERATION

KNOW YOUR CULTIVATOR

READ THE OWNER'S MANUAL AND ALL SAFETY RULES BEFORE YOU OPERATE the cultivator. To familiarize yourself with the location of the controls, compare the illustrations with your cultivator. **Save this manual for future reference.**

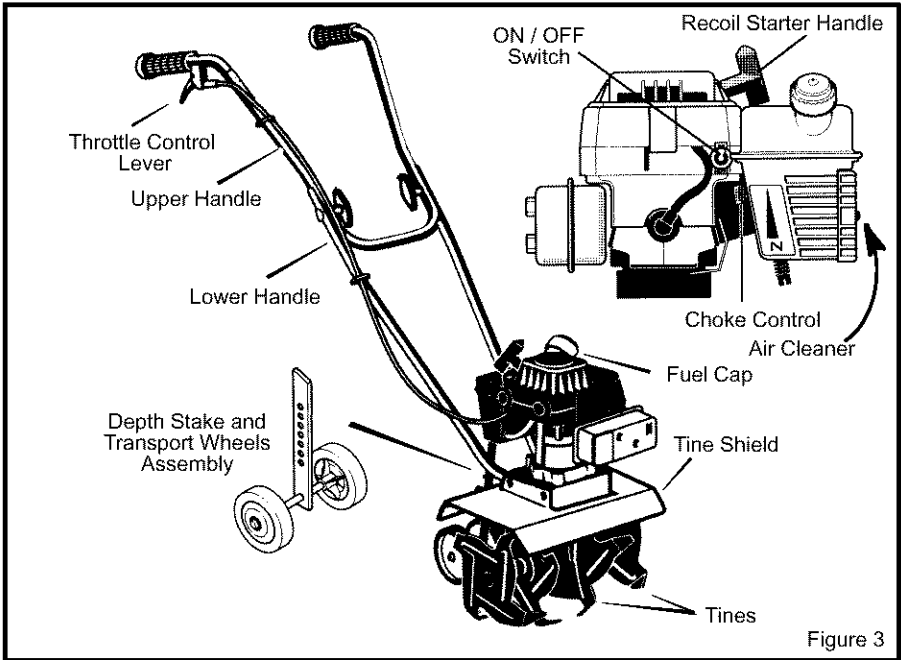


Figure 3

Throttle Control – Controls the engine speed and the tine rotation. The cultivator is equipped with a centrifugal clutch that engages the tine drive system when the engine speed is increased.

Choke Control Lever – Use to assist when starting a cold engine.

ON / OFF Switch – The ON position allows the engine to start. The OFF position stops the engine and keeps the engine from starting.

Recoil Starter Handle – The engine is equipped with an easy pull recoil starter.

Depth Stake – Mount with the wheels up to adjust the depth of cut. Also use to help control the direction and speed of the cultivator.

Transport Wheels – Mount with the wheels down when transporting the cultivator.

EYE PROTECTION

Always wear safety glasses. If you wear eye glasses, put a Wide Vision Safety Mask over your eye glasses.



WARNING: Debris thrown from the cultivator can result in foreign objects being thrown into the eyes, which can cause severe eye damage. Always wear safety glasses or eye shields when operating the cultivator.

OPERATION

HOW TO USE THE CULTIVATOR

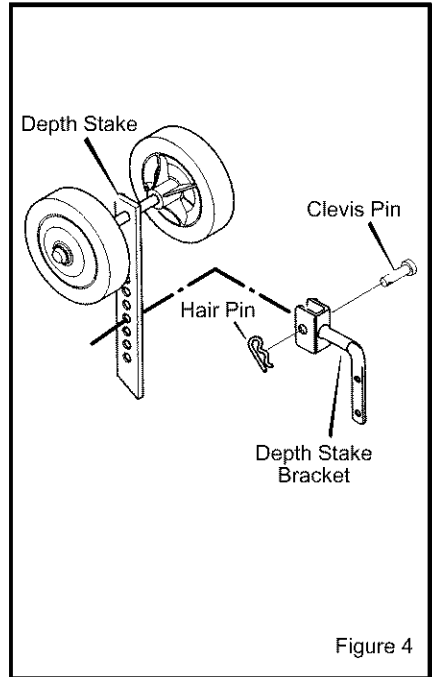
How To Stop The Cultivator

1. Release the throttle control to stop the tines.
2. Move the ON/OFF switch, on the engine, to the OFF position.

How To Set The Depth

Use the **depth stake** to control the tilling depth and the forward speed. Set the **depth stake** to the desired tilling position as follows:

1. Remove the **hairpin** and the **clevis pin** from the **depth stake** (see Figure 4).
2. Adjust the **depth stake** upward to dig shallower or downward to dig deeper.
3. Reinstall the **clevis pin** and **hairpin**.



How To Operate The Cultivator

1. Start the engine.
2. Tilt the unit back on the depth stake until the tines are off the ground. Squeeze the throttle control all the way up against the hand grip. The engine is governor controlled and must be run at full throttle while tilling.
3. Hold the handle firmly and slowly tilt the unit forward to begin the tilling action.
4. As the tines begin to make contact with the ground, hold back on the handles so that the tines will dig into the soil and not ride forward over the ground.
5. Avoid tilling soil that is too dry as it will pulverize and produce a dust that will not hold water. Also, tilling soil that is too wet will be hard on the machine and produce unsatisfactory clods.
6. Lowering the depth stake will slow the cultivator and make it till deeper. Raising the depth stake will allow it to move faster and till more shallow. See "How To Set The Depth".



WARNING: Keep away from the rotating tines. Rotating tines can cause injury.

OPERATION

BEFORE STARTING THE ENGINE

How To Prepare The Engine



WARNING: Always use a safety fuel container. Do not smoke when adding the fuel mixture to the engine. When inside an enclosure, do not fill the fuel tank. Before you add the fuel mixture, stop the engine. Let the engine cool for several minutes.

How To Mix The Fuel Mixture

The two cycle engine, used on this cultivator, requires a mixture of gasoline and oil for lubrication of the bearings and other moving parts. The correct fuel mixture ratio is 24:1 (5.2 oz. oil per one gallon of gas – see the Fuel Mixture Chart). Gasoline and oil must be pre-mixed in a clean gasoline container. Always use fresh, clean, unleaded gasoline.

Mix gasoline and oil as follows:

1. Pour one (1) U.S. quart of fresh, clean, unleaded automotive gasoline into a one gallon size gasoline container.
2. Add 5.3 ounces of clean, high quality, two-cycle oil to the gasoline container.

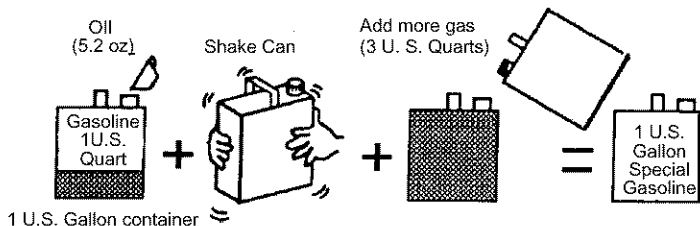
IMPORTANT: Do not use outboard motor oil or multi-viscosity oils, such as 10W-30 or 10W-40.

3. Install the fuel cap onto the gasoline container. Vigorously shake the gasoline container to mix the oil with the gasoline.
4. Add an additional three (3) U.S. quarts of gasoline to the gallon container. Again shake the gasoline container.
5. This completes the gasoline mixing procedure. The gasoline can now be added to the fuel tank.

FUEL MIXTURE CHART (mixture 24:1)

U.S.		SI. (Metric)	
GAS	OIL	GAS	OIL
1 Gal.	5.2 oz.	4 Liters	.167 L
2 Gal.	11 oz.	8 Liters	.333 L
5 Gal.	27 oz.	20 Liters	.833 L

Do not fill the fuel tank with gasoline that does not have oil mixed in it. Shake the gasoline container before each filling of the fuel tank.



OPERATION

HOW TO START THE ENGINE

Before you start the engine, make sure that you have read and understand all the instructions on the preceding pages.

1. Fill the fuel tank to 1/2 inch below the bottom of the fill neck. Reinstall the fuel tank cap securely. Always use fresh fuel. Never use fuel that could be stale from long periods of storage.
2. Move the on-off switch to the ON position (see Figure 5).
3. Move the choke control to the FULL CHOKE position (all the way down).

NOTE: Do not choke a hot or warm engine.

4. Tilt the cultivator back on the depth stake or transport wheels to raise the tines off the ground.
5. Hold the upper handle firmly to stabilize the cultivator.
6. Hold the starter handle and pull slowly until you feel engine drag. Slowly return the starter handle to the original position.

7. Pull the starter handle with rapid, full arm strokes until the engine starts.
 8. When the engine starts, move the choke lever to the HALF CHOKE position. When the engine runs smoothly, move the choke lever to the NO CHOKE position.
- NOTE: If the tines do not stop when the throttle control is released, adjust the carburetor idle speed. See "How To Adjust The Carburetor" in the Service And Adjustments.**
9. To stop the engine, release the throttle control and move the on-off switch to the OFF position.
 10. If the engine becomes flooded remove and dry the spark plug. See "Spark Plug Maintenance" in the Maintenance section of this manual. Then, pull the starter rope with the choke lever in the NO CHOKE position.



WARNING: The muffler and surrounding areas become hot after running the engine. Avoid these areas.

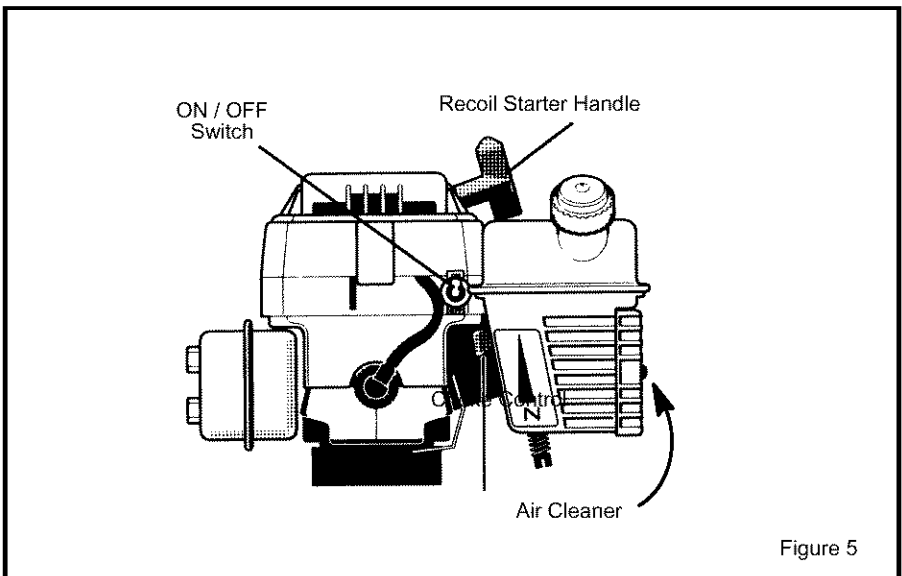


Figure 5

OPERATION

CULTIVATING TIPS

- Tilling is digging in, turning over and breaking up packed soil before planting. Loose unpacked soil helps root growth. Best tilling depth is 4 to 6 inches. A tiller will also clear the soil of unwanted vegetation. The decomposition of this vegetation matter enriches the soil. Depending on the climate (rainfall and wind), it may be advisable to till the soil at the end of the growing season to further condition the soil.
- Avoid tilling soil that is too dry as it will pulverize and produce a dust that will not hold water. Also, tilling soil that is too wet will be hard on the machine and produce unsatisfactory clods.
- Better growth will be obtained if an area is tilled properly and used soon after tilling to preserve the moisture content.
- The depth stake (on the back of the cultivator) serves a dual purpose. It helps regulate the depth of the cut and also acts as a brake to help the operator control the speed of the cultivator.
- Lowering the depth stake will slow the cultivator and make it till deeper. Raising the depth stake will allow it to move faster and till more shallow.
- If the cultivator stops forward motion and tries to dig deeper than necessary, move the handles from side to side to start forward motion.
- Cultivating is loosening or digging around growing plants which allows the plants to flourish.
- When using the cultivator to remove weeds, it is best to cultivate no deeper than 1–1/2 inches. Cultivating deeper will only pull to the surface ungerminated weed seeds. Raising the depth stake will allow it to move faster and till more shallow.
- When cultivating around plants or close areas, you may want to remove the outside tines. See “Tine Replacement” in the Service/Adjustments section.



WARNING: Read the Owner's manual. Know location and functions of all controls. Keep all safety devices and shields in place. Never allow children or uninstructed adults to operate cultivator. Shut off engine before unclogging tines or making repairs. Keep bystanders away from machine. Keep away from rotating parts and tines. They can cause injury.

MAINTENANCE

CUSTOMER RESPONSIBILITIES

SERVICE RECORDS Fill in dates as you complete regular service.	Before Each Use	After First 2 Hours	Every 25 Hours	Every 75 Hours	Before Storage	Before Each Season	SERVICE DATES
Tighten All Screws and Nuts	✓	✓					
Lubricate Tine Shaft			✓		✓		
Lubricate Transmission			✓			✓	
Check Spark Plug			✓		✓		
Clean and Oil Air Cleaner Filter			✓		✓		
Clean Cylinder Exhaust Ports				✓			
Drain Fuel					✓		

PRODUCT SPECIFICATIONS

Model No.:	536.292522
Date Of Purchase:	
Horse Power:	2
Displacement:	3.0 cu. in. (49.2 cc.)
Gasoline Capacity:	20 oz.
Fuel/Oil Mix Ratio:	24:1 Oil To Gas (5.3 oz. oil to 1 gal. gas (use unleaded regular)
Spark Plug:	Champion RCJ-8Y
Spark Plug Gap:	0.035 inch
Idle RPM:	1700-3000

GENERAL RECOMMENDATIONS

The warranty on this cultivator does not cover items that have been subjected to operator abuse or negligence. To receive full value from the warranty, the operator must maintain the cultivator as instructed in this manual.

Some adjustments must be made periodically to properly maintain your cultivator.

All adjustments in the Service and Adjustments section of this manual must be checked at least once each season.

MAINTENANCE

LUBRICATION

Every 25 hours and/or at the beginning of each season, make sure the gear box is filled with lubricant (see Figure 6). Tubes of gear lubricant are available from most automotive supply stores. Use portable tool grease such as Lubriplate 630AA (Product No. 06787, 1-3/4 oz. tube) or Lubriplate GR-132 (Product No. 15892, 10 oz. tube).

After cleaning and before storage, apply oil to the **tine shaft** (see Figure 6).

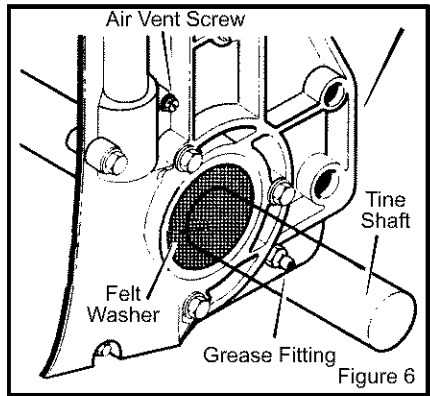


WARNING: Allow the transmission to cool before filling with grease.

1. Remove both left side tines. See "How To Replace The Tines" in the Service and Adjustments section.
2. Remove the **air vent screw** (see Figure 6).
3. Mount a grease gun onto the **grease fitting**. Fill the transmission until the grease begins to come out of the air vent screw hole.
4. Reinstall the **air vent screw**.
5. Check the condition of the **felt washer** (see Figure 6). Replace the **felt washer**

if it is damaged (see the Repair Parts section in this manual).

6. Clean and lubricate the **tine shaft** with a few drops of oil.
7. Reinstall the left side tines.
8. Remove the right side tines. Check the **felt washer** for damage. Clean and oil the **tine shaft**. Reinstall the right side tines.

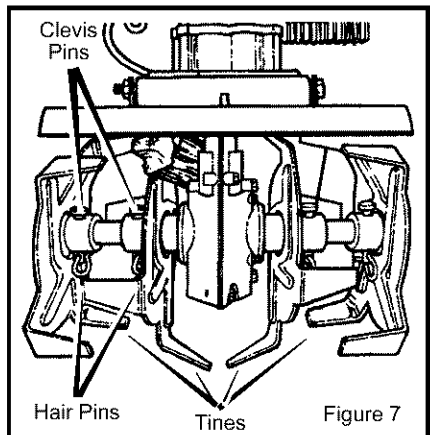


HOW TO CLEAN THE TINES

Always remove dirt and debris from the cultivator after each use. Remove any string, wire or vegetation that may become lodged in the mechanism and stop the tines from rotating.

1. Release the throttle control and move the on-off switch to the OFF position. Disconnect the spark plug wire from the spark plug.
2. While wearing gloves, remove the **hairpins** and **clevis pins** that secure the tine assemblies to the shaft (see Figure 7). Remove the tines from the shaft.
3. Remove any lodged debris from the shaft and tines. Clean and lubricate the tine shaft with a few drops of oil.
4. Reassemble the tines on the shaft and secure with a clevis pin and hairpin.

5. Connect the spark plug wire to the spark plug.



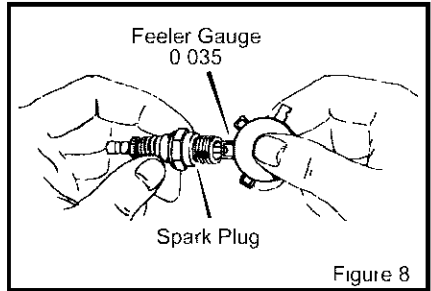
MAINTENANCE

SPARK PLUG

Check the **spark plug** every 25 hours. Replace the **spark plug** if the electrodes are pitted or burned or if the porcelain is cracked.

- 1 Make sure the **spark plug** is clean. Clean the **spark plug** by carefully scraping the electrodes (do not sand blast or use a wire brush).
- 2 Check the **spark plug** gap with a **feeler gauge**. See 'Product Specifications' for the correct **spark plug** gap and replacement **spark plug**.

- 3 Before installing the **spark plug**, coat the threads lightly with oil for easy removal. Tighten the spark plug to a torque of 15 foot-pounds.



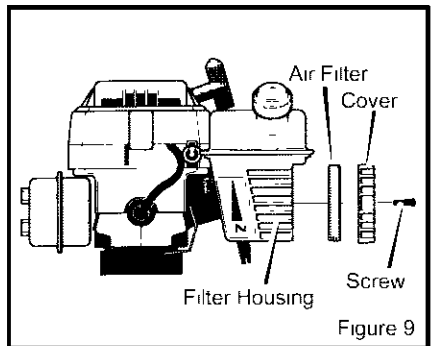
HOW TO CLEAN THE AIR FILTER

The engine uses a foam air filter that can be cleaned and reused. Clean and oil the air filter every 25 hours. Clean more often in dusty conditions. Remove and clean the air filter as follows.

CAUTION Never run the engine without the air filter installed. An air filter clogged with dust can result in loss of engine power and can cause excessive wear or damage to the engine. If the air filter is clogged, clean or replace immediately.

- 1 Disconnect the spark plug wire from the spark plug.
- 2 Remove the **screws** from the **air filter cover** (see Figure 9). Remove the **air filter cover** and the **air filter**.
- 3 Wipe the **cover** and the inside of the **air filter housing** with a clean cloth.
- 4 Clean the **air filter** in a solution of water and household detergent. Rinse thoroughly in clean water.
- 5 Wrap the **air filter** in a dry clean cloth. Squeeze out (do not twist) all solution until dry.

- 6 Cover the outside of the **air filter** with oil. Use the same type of oil as used to make the fuel mixture. Lightly squeeze the **air filter** to distribute and remove any excess oil.
- 7 Put the clean **air filter** into the **air filter housing**.
- 8 Install the **air filter cover** and secure with the **screws** as shown.
- 9 Connect the spark plug wire to the spark plug.



CYLINDER EXHAUST PORTS

Clean the cylinder exhaust ports after every 75 hours of operation. For this procedure, we recommend that you take your unit to a Sears Service Center.
F-011302M

SERVICE AND ADJUSTMENT

HOW TO REMOVE AND INSTALL THE TINES

References to the right or left side of the cultivator are from the viewpoint of the operator's position behind the unit.

All four tines are different and cannot be interchanged. The tines must be correctly installed or the cultivator will not function properly.

To till around plants or in small areas, the outside tines can be removed to reduce the tilling width to approximately 7 inches.



WARNING: The tines are self sharpening and will become quite sharp from use. Handle carefully.

The tines will all wear evenly. If the tines are being replaced because of wear, we recommend that all four tines be replaced at the same time. To replace the tines, do the following:

Tine Removal

1. Put the on-off switch in the OFF position.
2. Disconnect the spark plug wire from the spark plug.
3. While wearing gloves, remove the **hairpins** and **clevis pins** that secure the tine assemblies to the shaft (see Figure 10). Remove the **tines** from one side of the unit.

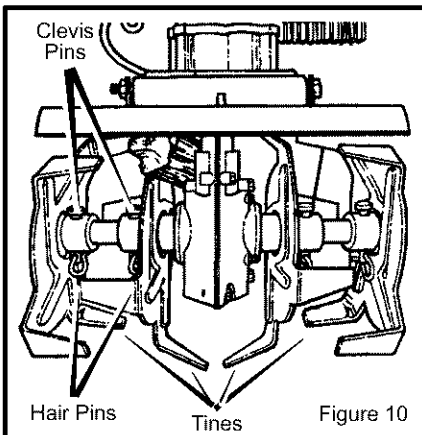


Figure 10

Tine Installation

1. Clean and lubricate the tine shaft with a few drops of oil.
2. Place the inside tine on the tine shaft and reinstall the **clevis pin** and **hairpin**.
3. When the tines are properly installed, the letter **R** will be visible on the outside of the **right tine** (see Figure 11). The letter **L** will be visible on the outside of the left tine.

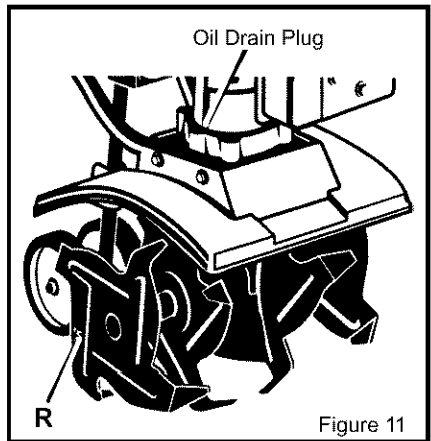


Figure 11

4. Mount the outside tine on the tine shaft and fasten with the **clevis pin** and **hairpin** (see Figure 10).
5. The cutting tips on the outside tines all bend in toward the inside tine. When assembled correctly, the letter **R** on the right side, or **L** on the left side, will be visible from the outside of the unit.
6. Repeat the above steps on the opposite side of the unit.

NOTE: Make sure the tines are installed on the correct side of the unit.

SERVICE AND ADJUSTMENT

HOW TO ADJUST THE CARBURETOR

A dirty air cleaner will cause the engine to run improperly or to smoke excessively. Before adjusting the carburetor, make sure the air cleaner is clean. Never make unnecessary adjustments to the carburetor. The carburetor was set at the factory to operate efficiently under most applications. However, if adjustments are required, we recommend you contact your nearest Sears Service Center. If you feel that you are competent to make carburetor adjustment proceed as follows.



WARNING: Use extreme care when making adjustments that require the engine to be running. Keep hands, feet, hair and loose clothing away from all moving parts.

1. Turn the **mixture adjustment screw** clockwise to until closed (see Figure 12).

IMPORTANT: To prevent damage to the carburetor or to the adjusting screw, tighten the adjustment screws with your fingers.

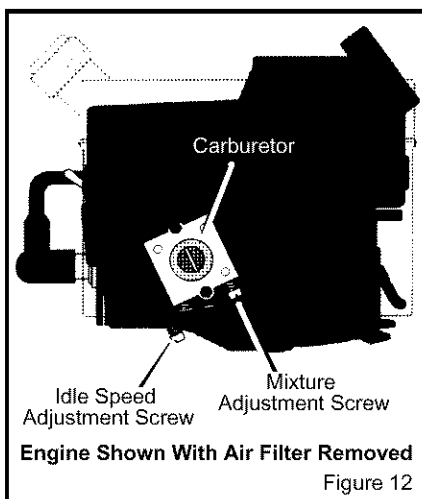
2. Turn the **mixture adjustment screw** counterclockwise one turn.
3. Start the engine and let it warm up for approximately 3 to 5 minutes. Do not adjust the carburetor when the engine is cold.
4. If the engine runs erratically or stops after the choke lever is moved to the **CHOKE OFF** position, then open the **mixture adjustment screw** an additional 1/8 turn counterclockwise.
5. With the engine running, release the throttle control (idle position) to make the mixture adjustments.
6. Slowly turn the **mixture adjustment screw** clockwise until the engine begins to run erratically. Note this position.
7. Then, slowly turn the mixture adjustment screw counterclockwise until the engine again begins to run erratically. Note this position.

8. Turn the mixture adjusting screw clockwise until it is halfway between the first position and the second position.
9. Check the engine idle speed. Start the engine and release the throttle control. If the tines do not turn with the throttle control is released, the idle speed is correct. If the tines turn with the throttle control is released, adjust the engine idle speed as follows.
10. Have someone tilt the cultivator back on its depth stake so that the tines are off the ground.
11. Start the engine.
12. With the throttle in the released (idle position), turn the **idle speed adjustment screw** counterclockwise until the tines stop rotating.



WARNING: The engine governor is set at the factory. Do not change the governor setting.

Over speeding the engine above the factory setting can be dangerous. If you think the engine governor needs an adjustment, contact your nearest Sears Service Center.



SERVICE AND ADJUSTMENT

STORAGE



WARNING: Never store the cultivator indoors with fuel in the fuel tank. Never store in an enclosed, poorly ventilated area where fumes could reach an open flame, a spark or a pilot light as on a furnace, water heater or clothes dryer.



WARNING: Do not remove gasoline while inside a building, near a fire, or while you smoke. Gasoline fumes can cause an explosion or a fire.

When the cultivator is put in storage for thirty days or more, follow the steps below to make sure the cultivator is in good condition the following season.

Cultivator

- Completely clean the cultivator.
- Remove the tines. Clean and apply oil to the tine shafts. Mount the tines onto the tine shafts. See "How To Remove And Install The Tines" in the Service And Adjustments section.
- Loosen the knobs that secure the upper handle to the lower handle. Carefully fold the upper handle. Make sure the throttle cable is not bent. Tighten the knobs.
- The cross piece of the upper handle (between the lower handles) can now be used as a carry handle. To store the cultivator up off the floor and out of the way, the cross piece can also be hooked over a wall hook.
- Put the cultivator in a building that has good ventilation.

- Cover the cultivator with a suitable protective cover that does not retain moisture. Do not use plastic.

IMPORTANT: Never cover the cultivator while the engine and exhaust areas are still warm.

NOTE: A yearly checkup or tune-up by a Sears Service Center is a good way to make sure that your cultivator will provide maximum performance for the next season.

Engine

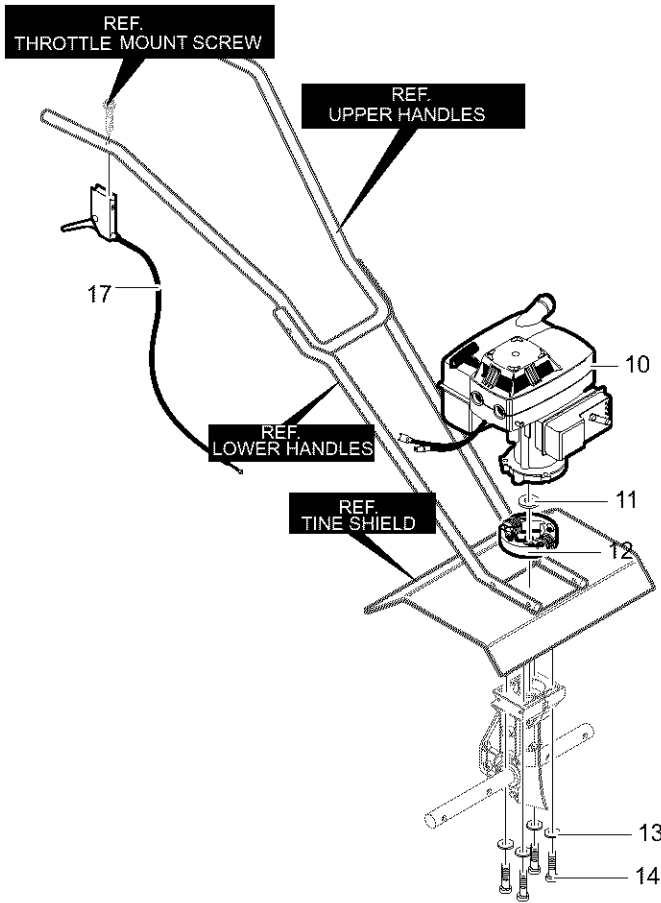
IMPORTANT: It is important to prevent gum deposits from forming in fuel system parts such as the carburetor, fuel filter, fuel hose, and tank during storage. Also, using alcohol-blended fuels (called gasohol, ethanol or methanol) can attract moisture which leads to separation and formation of acids during storage. Acidic gas can damage the fuel system of an engine while in storage.

To prevent engine damage when the cultivator is in storage for 30 days or more, follow the steps below:

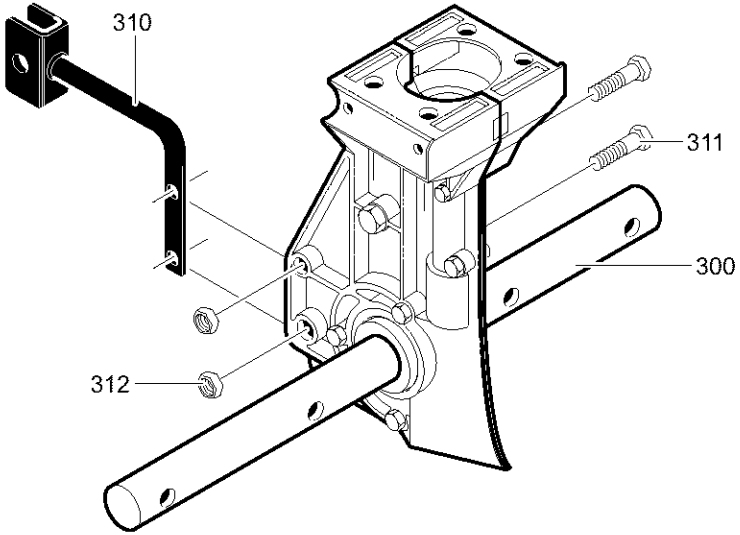
- Let the engine run until it is out of gasoline.
- Slowly pull the starter handle until you feel resistance due to compression in the cylinder, then stop.
- Slowly release the starter rope. This position will close both the intake and the exhaust ports and help prevent corrosion of the piston and cylinder.

TROUBLE SHOOTING CHART

TROUBLE	CAUSE	CORRECTION
Engine difficult to start	Stale fuel mixture	Drain fuel tank. Fill with fresh fuel mixture.
or	Too much oil in fuel mixture	Check fuel mixture chart and mix fresh fuel.
Engine runs erratically	Dirt in fuel tank or out of fuel	Clean fuel tank.
or	Carburetor out of adjustment	See Carburetor Adjustment section.
Engine will not run at full speed	Fouled spark plug	Clean and set spark plug gap.
	Dirty air filter	Clean and oil air filter.
Engine speed does not increase properly	Debris interfering with throttle linkage	Clean dirt and debris of top of carburetor.
Engine smokes excessively	Plugged air filter	Clean and oil air filter.
	Too much oil in fuel mixture	Check fuel mix chart and mix fresh fuel.
Tines continue to rotate when throttle control is released	Carburetor out of adjustment	Adjust carburetor idle speed. See "How To Adjust The Carburetor" in the Maintenance section.
Tines will not turn	Debris lodged in tine	Remove debris. See "How To Clean The Tines" in the Maintenance section.
Unit does not till properly	Incorrect tine installation	Check the tines for proper installation. See "How To Remove And Install The Tines" in the Service And Adjustments section.

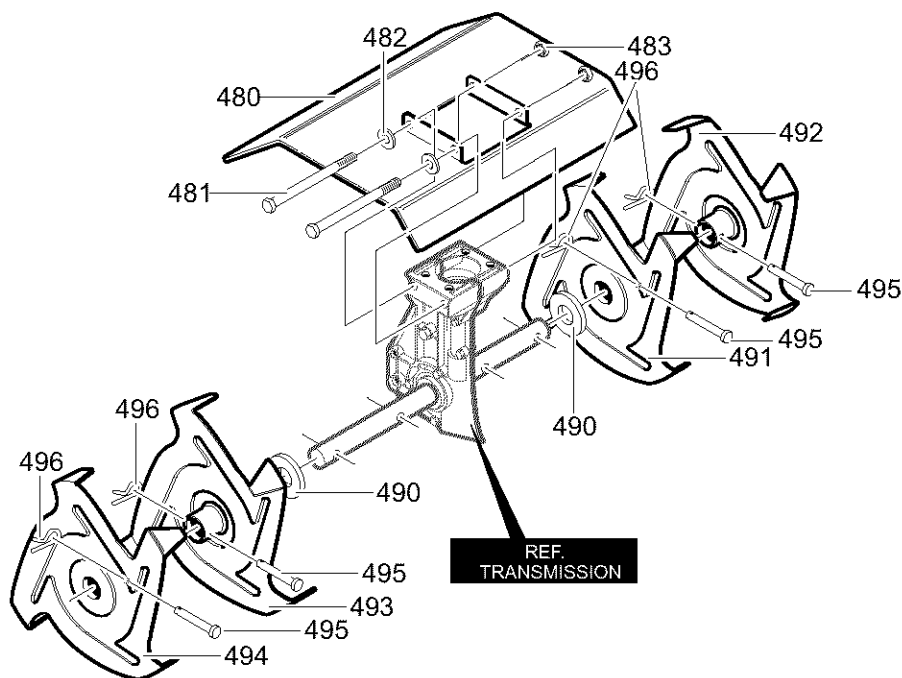


KEY NO.	DESCRIPTION	PART NO.	KEY NO.	DESCRIPTION	PART NO.
10	Engine 143.002072	2.0HP	14	Screw	180042
11	Flat washer	56694	17	Cable, Throttle	319306
12	Rotor	335350	—	Instruction Manual	F-011302M
13	Washer	120380			



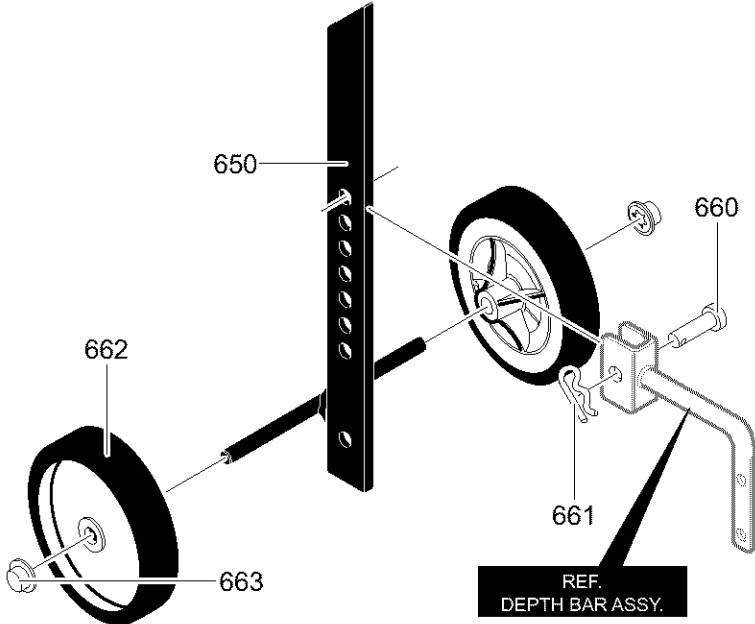
318848C

KEY NO.	DESCRIPTION	PART NO.
300	Transmission	740061
310	Bracket, Depth Rod	340550
311	Screw, 1/4-20x1.25	180024
312	Nut, 1/4-20	782585



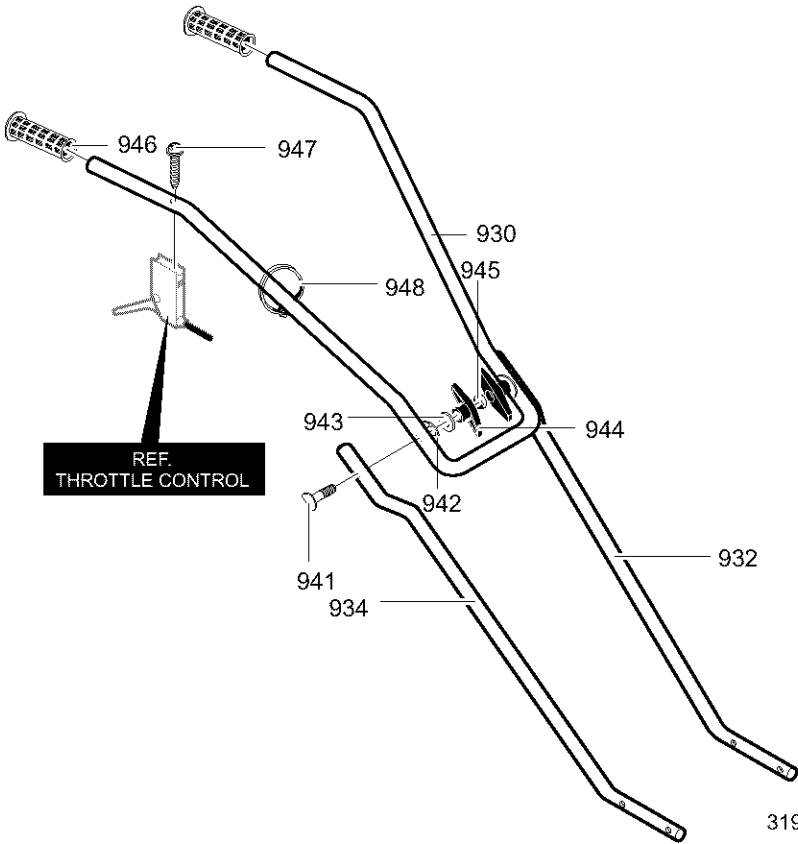
318849c

KEY NO.	DESCRIPTION	PART NO.	KEY NO.	DESCRIPTION	PART NO.
480	Shield, Tine	309073-848	493	Tine Assy. Inner RH	56156-853
481	Screw, 1/4-20x5.00	273869	494	Tine Assy. Outer RH	56154-853
482	Flat washer	120392	495	Clevis Pin	56123
483	Nut, 1/4-20	46931	496	Hair Pin	56180
490	Washer, Felt	56158	—	Decal, Caution	320711
491	Tine Assy. Inner LH	56157-853	—	Decal, Tine Shield	712457
492	Tine Assy. Outer LH	56155-853			



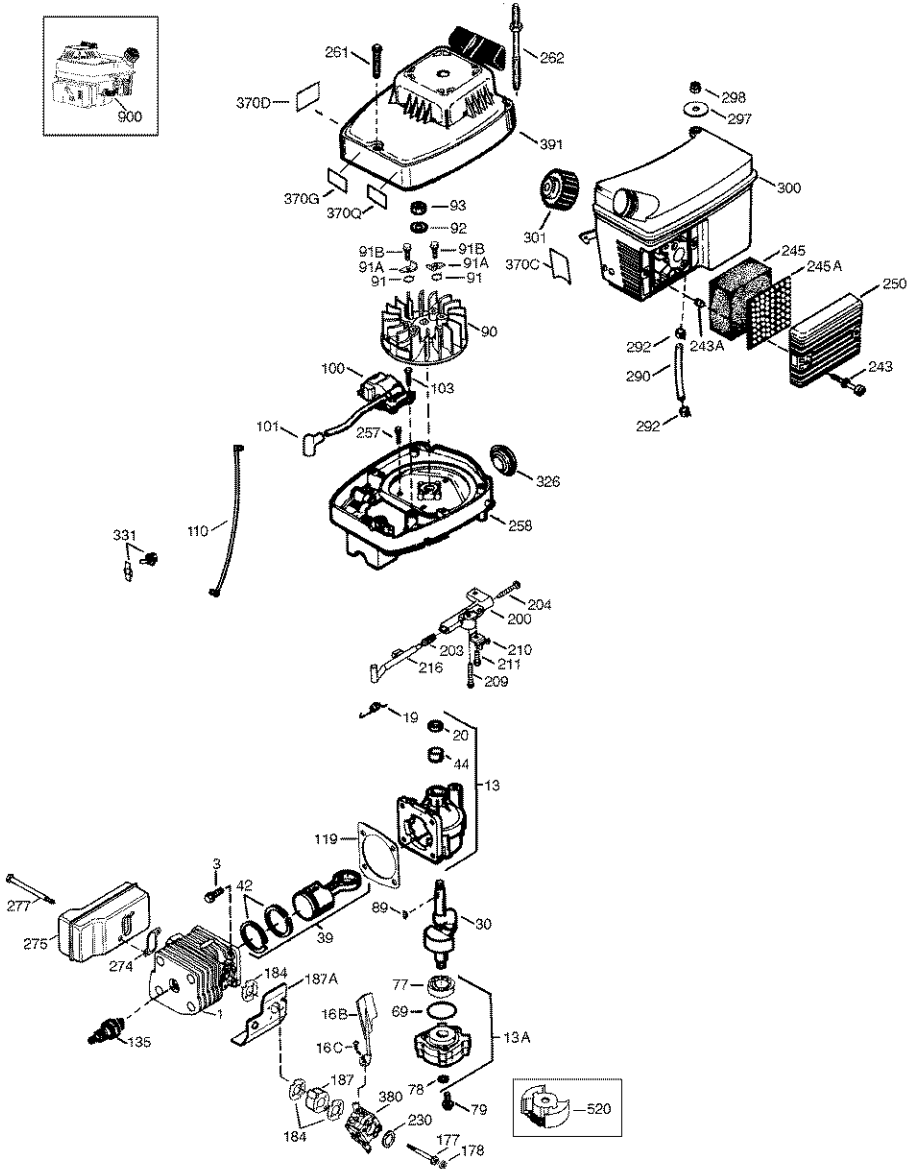
318852G

KEY NO.	DESCRIPTION	PART NO.
650	Wheel Support Assy.	330799-853
660	Clevis Pin	333635
661	Hair Pin	56180
662	Tire & Rim	339277
663	Push On Nut	73664



319375C

KEY NO.	DESCRIPTION	PART NO.
930	Upper Handle	56237-853
932	Lower Handle LH	339398-853
934	Lower Handle RH	339399-853
941	Bolt 5/16-18x1.63	56199
942	Formed Washer	783000
943	Flat washer	120393
944	T Knob	57171
945	Nut, 5/16-18	120376
946	Hand Grip	56778
947	Screw, 10-16x1.50	426635
948	Cable Tie	712267
—	Decal, Caution (Starting)	305828



CRAFTSMAN 143.002072

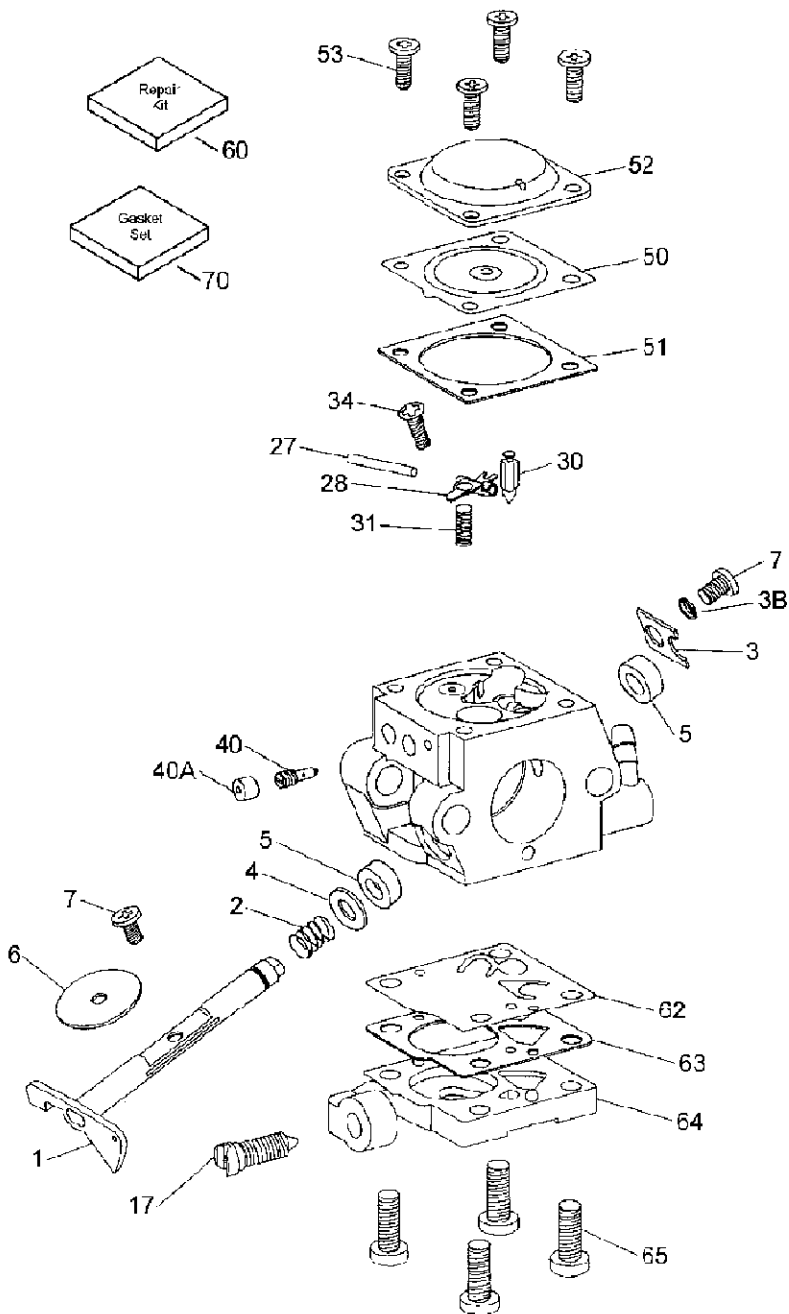
REPAIR PARTS

KEY NO.	PART NO.	DESCRIPTION	KEY NO.	PART NO.	DESCRIPTION
	0	RPM High 5000 to 5400	93	650849	Flywheel Nut
	0	RPM Low 1700 to 3000	100	611056	Solid State Ignition (Incl. 101)
1	250303	Cylinder (Incl. 119, 184, 187 & 187A)	101	610118	Spark Plug Cover
3	650888	Screw, T-30	103	651007	Screw, T-15
13	270288A	Crankcase Ass'y. (Incl. 20, 44 & 69)	110	611135	Ground Wire
13A	270298	Crankcase Cover	119	510349	Cylinder Head Gasket
16B	490324	Air Vane	135	611049	Resistor Spark Plug (RCJ8Y)
16C	650986	Screw, T-8, 3-48 x 7/32"	177	650858	Carburetor Mounting Stud
19	570716	Governor Spring	178	650580	Lock Nut, 10-24
20	510328	Oil Seal	184	510327B	Carburetor Gasket
30	290664	Crankshaft	187	570648A	Spacer
39	310285A	Piston & Rod Assy. (Incl. 42)	187A	570698A	Air Baffle (Incl. 184 & 187)
42	310275	Ring Set	200	570700	Speed Control Body
44	530163	Cartridge Bearing	203	570701	Compression Spring
69	510348	"O" Ring	204	651042	Screw, T-15, 8-32 x 1"
77	530110	Ball Bearing	209	651042	Screw, T-15, 8-32 x 1"
78	510319	Oil Seal	210	27793	Conduit Clip
79	650844	Screw, 1/4-20 x 3/4"	211	651047	Screw, T-15
89	611054	Flywheel Key	216	570712	R.P.M. Adjusting Lever
90	611180	Flywheel	230	570649A	"O" Ring
91	590691	Pawl Spring	243	650955	Screw, 10-32 x 29/32"
91A	590692	Starter Pawl	243A	650964	Thread Insert
91B	650985	Screw, 12-24 x 11/64"	245	450252	Air Filter (Poly)
92	650848	Belleville Washer	245A	450255	Air Filter (Flocked)

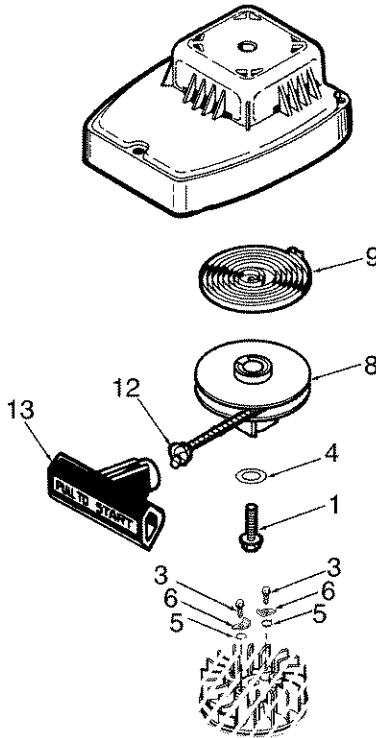
CRAFTSMAN 143.002072

REPAIR PARTS

250	450253	Air Cleaner Cover	301	410280	Fuel Cap
257	650867	Screw, 10–24 x 1/2"	326	570659	Blower Housing Plug
258	350435	Blower Housing Base	331	610650B	Toggle Switch
261	650850	Screw, 8–32 x 1–9/16"	370C	550239	Choke Decal
262	650939	Stud	370D	35977	Caution Decal
274	510347	Exhaust Gasket	370G	550228	Instruction Decal
275	390322	Muffler (Incl. 274 & 277)	370Q	550247	Emissions Decal
277	650938	Screw, 1/4–20 x 2.409"	380	640231	Carburetor (Incl. 184)
290	410246A	Fuel Line	391	590690	Recoil Starter Ass'y.
292	410253	Fuel Line Clamp	520	0	Clutch (Supplied by OEM)
297	27261	Washer	900	0	Replacement Engine 710580, order from 71–999
298	650954	Lock Nut, 8–32			
300	410277A	Fuel Tank (Incl. 290, 292, 298, 301 & 370C)	900	0	Replacement S/B 710542B, order from 71–999



KEY NO.	PART NO.	DESCRIPTION
0	640231	Carburetor (Incl. 184 of Engine Parts List)
1	640232	Throttle Shaft & Lever Ass'y.
2	640233	Throttle Return Spring
3	640234	Dust Seal Retainer
3B	640236	Spacer
4	640237	Dust Seal Washer
5	640238	Dust Seal
6	640239	Throttle Shutter
7	640235	Screw, Throttle Shutter & Dust Seal Retainer
17	640240	Idle Speed Screw
27	640241	Hinge Pin
28	640242	Metering Lever
30	640243	Inlet Needle
31	640244	Metering Lever Spring
34	640245	Screw, Metering Lever Pin
40	640246	High Speed Jet
40A	640247	High Speed Jet Sealer Cap
50	640248	Diaphragm (Included in Gasket Set)
51	640249	Cover Gasket (Included in Gasket Set)
52	640250	Cover
53	640251	Cover Screw
60	640256	Repair kit (Incl. Items Marked PK in Notes) Incl. (1) each of part #'s 640242, 640243, 640257
62	640252	Pump Diaphragm (Incl. in Gasket Set)
63	640253	Pump Gasket (Included in Gasket Set)
64	640255	Pump Cover
65	640254	Pump Cover Screw
70	640257	Gasket Set Incl. (1) each of part #'s 640248, 640249, 640252, 640253



KEY NO.	PART NO.	DESCRIPTION
0	590690	Rewind Starter & Housing Ass'y.
1	650987	Retainer Screw, 10-24 x 1-3/8"
3	650985	Pawl Screw, 12-24 x 11/64"
4	650147	Washer
5	590691	Pawl Spring
6	590692	Pawl
8	590693	Pulley
9	590562	Rewind Spring
12	590639	Starter Rope (#4 rope, 71" long)
13	590452	Starter Handle

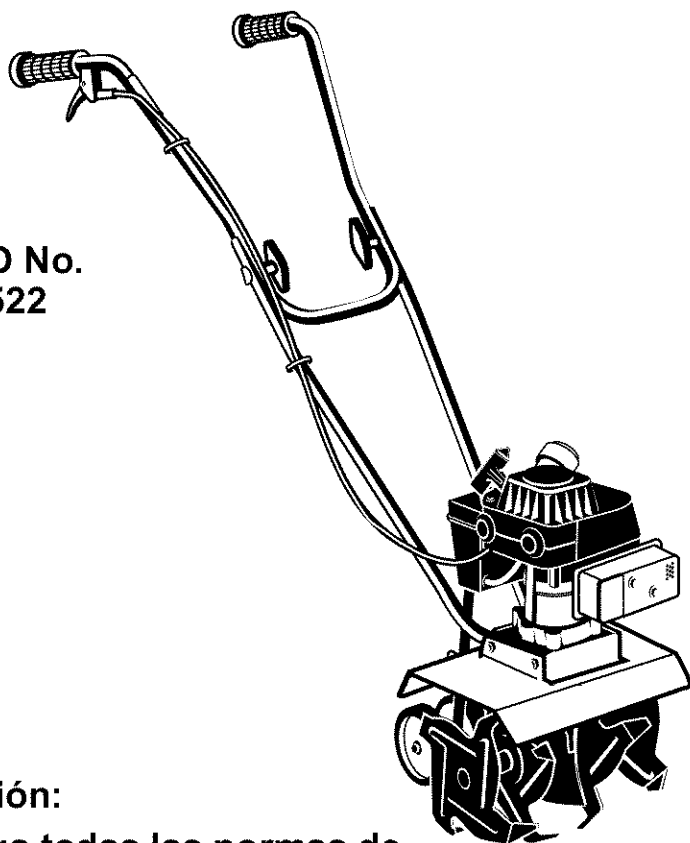
NOTES

NOTES



**CULTIVADORA con
dientes de 10 pulgadas,
motor de 49,2 cc, 2 tiempos
y 2,0 caballos de fuerza**

**MODELO No.
536.292522**



Precaución:

**Lea y siga todas las normas de
seguridad e instrucciones de operación
antes de usar este producto.**

SEARS, ROEBUCK AND CO., Hoffman Estates, IL 60179 U.S.A.

F-011302M

SEGURIDAD

MONTAJE

OPERACIÓN

MANTENIMIENTO

LISTA DE
PIEZAS

ESPAÑOL

CONTENIDO

GARANTÍA	32	MANTENIMIENTO	43
NORMAS DE SEGURIDAD	33	TABLA DE LOCALIZACIÓN DE AVERÍAS	49
SÍMBOLOS INTERNACIONALES	35	PIEZAS DE REPUESTO	20
MONTAJE	36	PIEZAS DE REPUESTO (MOTOR)	25
OPERACIÓN	38	PEDIDOS / SERVICIO	CONTRACUBIERTA

GARANTÍA

GARANTÍA LIMITADA DE UN AÑO PARA LA CULTIVADORA CRAFTSMAN

Esta cultivadora Craftsman está garantizada por un año a partir de la fecha de compra, siempre y cuando se le haya dado mantenimiento, lubricado y afinado de acuerdo con las instrucciones de operación y mantenimiento que aparecen en el manual del usuario, Sears reparará, sin costo alguno, cualquier defecto en el material y/o mano de obra de la unidad.

Esta garantía no cubre los dientes, bujías ni filtros de aire, los cuales son partes que se desgastan durante el uso normal de la unidad.

Si esta cultivadora Craftsman se utiliza para propósitos comerciales o de arrendamiento, la garantía será válida por sólo 90 días a partir de la fecha de compra.

EN LOS ESTADOS UNIDOS, EL SERVICIO BAJO GARANTÍA PARA LA CULTIVADORA CRAFTSMAN ESTÁ DISPONIBLE EN EL CENTRO / DEPARTAMENTO DE SERVICIO SEARS MÁS CERCANO. ESTA GARANTÍA ES VÁLIDA SOLAMENTE MIENTRAS EL PRODUCTO SE USE EN LOS ESTADOS UNIDOS.

Esta garantía le otorga derechos legales específicos, además, usted puede tener otros derechos legales que varían según el estado donde resida.

Sears, Roebuck and Co., D817WA, Hoffman Estates. IL 60179



ADVERTENCIA



Las emanaciones de escape producidas por este motor y ciertos componentes de esta máquina contienen agentes químicos reconocidos por el Estado de California como carcinógenos, también pueden producir defectos en los recién nacidos o causar otros daños al sistema reproductivo.

Los bornes, terminales y accesorios relacionados con la batería, contienen plomo y compuestos de plomo. El Estado de California reconoce que estos compuestos pueden causar cáncer y defectos congénitos, además de otros daños al sistema reproductivo. **DEBE LAVARSE MUY BIEN LAS MANOS DESPUÉS DE MANIPULAR ESTOS COMPONENTES.**

IMPORTANTE: Esta unidad está equipada con un motor de combustión interna y no debe ser usada en o cerca de ningún terreno basto de cubierta forestal, de maleza o de hierba a menos que el sistema de escape del motor esté equipado con un parachispas que cumpla con las leyes locales o estatales aplicables (si existen). Si se usa el parachispas, el operador debe mantenerlo en buenas condiciones.

En el Estado de California lo indicado anteriormente es exigido por ley (Sección 4442 del Código de Recursos Públicos de California). Otros estados pueden tener leyes similares. Las leyes federales aplican sobre los terrenos federales. Para conseguir un parachispas para el sistema de escape, acuda a un Centro de servicio autorizado de Sears.

IMPORTANTE

Prácticas para la operación segura de la cultivadora.



ADVERTENCIA: Busque este símbolo que le indicará puntos importantes de precaución para su seguridad. Este símbolo quiere decir: “¡Atención! ¡Esté alerta! Preste atención a su seguridad”.



ADVERTENCIA: Para prevenir el arranque accidental de la máquina durante los procesos de montaje, transporte, ajuste o reparación, desconecte siempre el cable de la bujía y colóquelo alejado de ésta.

IMPORTANTE: Las normas de seguridad requieren que la unidad esté equipada con controles que funcionan solamente en la presencia del operador para minimizar el riesgo de accidentes. Su cultivadora está equipada con tales controles. Por ningún motivo debe intentar anular la función de estos controles que sólo trabajan en la presencia del operador.

Pasos preliminares

- Lea el Manual del usuario detenidamente. Debe familiarizarse completamente con los controles y con el uso correcto de la cultivadora. Aprenda cómo apagar, detener y desenganchar los controles de la cultivadora, en caso de que tenga que hacerlo rápidamente.
- Siempre que use la cultivadora deberá vestirse con ropa apropiada y usar zapatos que lo protejan y le den buena tracción.
- Mantenga el área de operación despejada de personas, especialmente de niños pequeños y mascotas.
- Examine completamente el área donde se va a usar la cultivadora y despéjela de cualquier objeto.

Combustible

- Tenga mucho cuidado al manejar gasolina y otros combustibles, estos son sumamente inflamables.
- Use únicamente recipientes aprobados.
- Revise el nivel de combustible cada vez que use la cultivadora. Asegúrese de dejar suficiente espacio en el tanque, ya que el calor del motor y/o del sol puede causar la expansión del combustible.
- Debe reabastecer o llenar el tanque de combustible al aire libre y con mucho cuidado.

• Nunca lo llene en un espacio cerrado. Fije bien la tapa del tanque de combustible y limpie cualquier derrame.

- Nunca quite la tapa del tanque de combustible ni añada combustible al tanque cuando el motor esté caliente o en marcha.
- Nunca guarde la cultivadora llena de combustible ni el recipiente de combustible en un recinto donde los vapores del combustible puedan alcanzar alguna llama expuesta.

Operación

- Nunca permita que niños o adolescentes manejen la cultivadora. Manténgalos fuera del área de operación. Nunca permita que usen la unidad los adultos no familiarizados con las instrucciones de operación.
- No opere la cultivadora si está tomando algún fármaco u otra medicina que le provoque somnolencia o que afecte su habilidad de operar esta unidad con seguridad.
- No use la cultivadora si no está física o mentalmente capacitado para hacerlo de una manera segura.
- Siempre use gafas de seguridad o caretas protectoras al operar, ajustar o reparar la cultivadora, esto protegerá sus ojos de objetos que pudieran ser lanzados por la unidad.
- No ponga las manos o los pies cerca o debajo de piezas giratorias.
- Preste mucha atención cuando maneje la cultivadora cerca de la calle, o cuando cruce por calzadas, calles o caminos de grava. Esté alerta tanto del tráfico como de problemas potenciales o imprevistos.
- Tenga cuidado para evitar caídas o resbalones.
- Nunca opere la cultivadora sin colocar en su lugar los respectivos resguardos, placas u otros aditamentos diseñados para su protección y seguridad.
- Nunca opere la cultivadora a alta velocidad en superficies resbaladizas. Siempre que retroceda mire hacia atrás y hágalo con cuidado.

IMPORTANTE

- Nunca permita que haya personas cerca de la cultivadora en marcha.
- Mantenga alejados a niños y mascotas durante la operación de la máquina.
- Siempre opere el equipo a la luz del día o con buena iluminación artificial.
- Nunca ponga en marcha un motor dentro de un recinto o de un área cerrada. Los vapores del sistema de escape son peligrosos, ya que contienen MONÓXIDO DE CARBONO, un GAS INODORO y MORTAL.
- Tome todas las precauciones necesarias cuando deje la cultivadora desatendida. Apague el motor.
- No exceda la capacidad de su cultivadora al tratar de cultivar muy profundo a una velocidad excesiva.
- Mantenga la cultivadora en condiciones de funcionamiento seguras. Revise con regularidad todos los sujetadores para mantenerlos debidamente apretados.

Reparación / Ajustes

- Si golpea un objeto con la unidad, apague el motor. Desconecte el cable de la bujía y manténgalo alejado de ésta para evitar un arranque accidental del motor. Inspeccione la cultivadora cuidadosamente para ver si ésta sufrió algún daño. Si está averiada, deberá repararla antes de hacerla funcionar nuevamente.
- Si la cultivadora comienza a vibrar de una manera anormal, apague el motor. Revise la unidad de inmediato para determinar la causa. Generalmente la vibración suele indicar que existe alguna avería.
- Apague el motor siempre que tenga que dejar el equipo. Desconecte el cable de la bujía antes de despejar los dientes y antes de realizar cualquier reparación, ajuste o inspección a la unidad.
- Antes de limpiar, reparar o inspeccionar la unidad, apague el motor y asegúrese de que todas las partes o piezas en movimiento se hayan detenido.
- Nunca haga ajustes o reparaciones mientras el motor esté en marcha, a menos que el fabricante lo indique específicamente.

Almacenamiento

- Cuando la cultivadora va a estar almacenada por un período largo de tiempo, consulte las instrucciones del manual del usuario para obtener detalles importantes al respecto.
- Nunca guarde la cultivadora con combustible en el tanque, dentro de un recinto donde se encuentre alguna fuente de ignición, tal como sistemas de calefacción, calentadores de agua, secadoras de ropa, etc. Deje enfriar el motor antes de guardar la unidad en un recinto cerrado.

IMPORTANTE

SÍMBOLOS INTERNACIONALES

IMPORTANTE: La mayoría de los símbolos siguientes se encuentran en la unidad o en la información que viene con el producto. Antes de usar la unidad, familiarícese con el significado de cada uno de los símbolos.

Símbolos de control y funcionamiento



Marcha lenta



Marcha rápida



Combustible



Aceite

Cebador APAGADO

Cebado medio

Cebado completo



Símbolos de advertencia y seguridad



ADVERTENCIA

Lanza objetos.
Mantenerse alejado de transeúntes.



ADVERTENCIA

Piezas giratorias. Apagar el motor y desconectar el cable de la bujía antes de hacer cualquier ajuste a la unidad.



ADVERTENCIA



IMPORTANTE

Lea el Manual del usuario antes de operar esta unidad.



ADVERTENCIA

Use protección para los ojos.



PARAR

MONTAJE

MONTAJE

MATERIALES INCLUIDOS EN LA CAJA

- 1 – Manual del usuario (no aparece en la figura)
- 1 – Botella de aceite, 2 tiempos 5,2 onzas



1 – Aceite de 2 tiempos 5,2 onzas.



ADVERTENCIA: Siempre use gafas de seguridad durante el montaje de la cultivadora.

La Figura 1 muestra la cultivadora completamente ensamblada.

Cuando se indica el lado izquierdo o derecho de la orilladora en este manual, siempre se refiere al punto de vista del operador en su posición detrás de la unidad.

CÓMO SACAR LA CULTIVADORA DE SU CAJA

- 1. Saque la botella de aceite de la caja.
- 2. Retire el material de empaque colocado alrededor de la unidad.
- 3. Levante la cultivadora de la caja y colóquela sobre una superficie plana y estable.

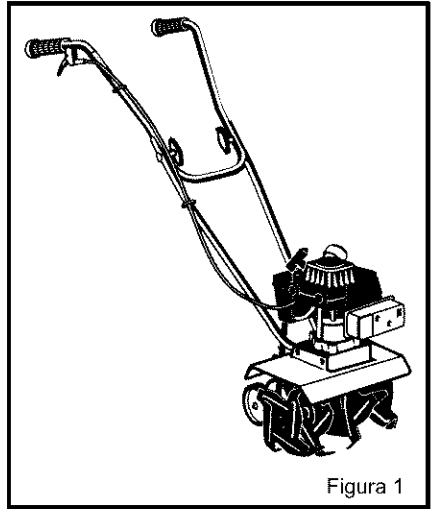


Figura 1

CÓMO LEVANTAR EL MANGO

- 1. Afloje las **perillas** (vea la Figura 2). Incline la cultivadora hacia adelante, gire y levante el **mango superior** a la posición vertical. Asegúrese de que el **cable del acelerador** no quede atrapado entre los mangos.
- 2. Apriete las **perillas**.

NOTA: Para apretar las perillas, aplique presión con el dedo al perno de cabeza de hongo del mango inferior mientras aprieta las perillas.

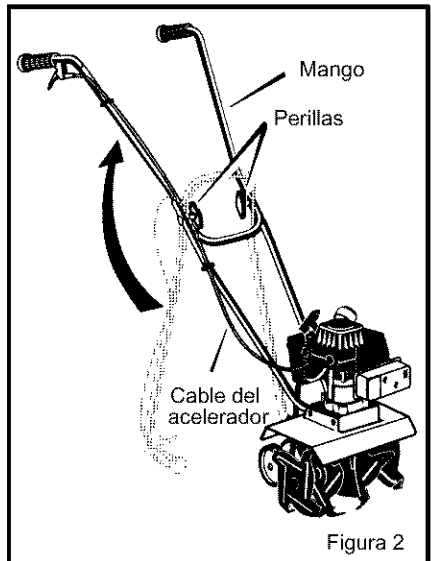


Figura 2

MONTAJE

✓ LISTA DE COMPROBACIÓN

Para obtener un rendimiento óptimo y la mayor satisfacción de este producto de alta calidad, favor de revisar la siguiente lista de comprobación antes de hacer funcionar su cultivadora:

- ✓ Se han completado todas las instrucciones de montaje.
- ✓ Se ha revisado la caja de envío para asegurar que no quede en ésta ninguna pieza o parte.
- ✓ Todos los sujetadores han sido apretados adecuadamente.

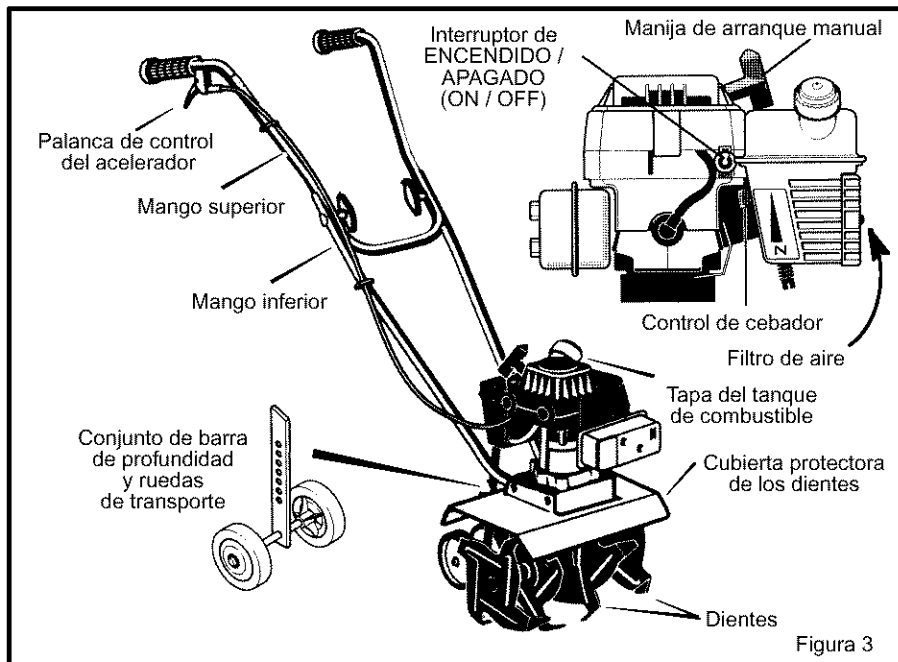
A medida que vaya aprendiendo a usar la cultivadora, preste especial atención a los siguientes puntos importantes:

- ✓✓ El tanque de combustible se debe llenar con una mezcla de combustible fresca y limpia.
- ✓✓ Debe familiarizarse y entender la función de todos los controles. Antes de hacer arrancar el motor, verifique el funcionamiento de todos los controles.

OPERACIÓN

CONOZCA SU CULTIVADORA

ANTES DE HACER FUNCIONAR LA CULTIVADORA, LEA EL MANUAL DEL USUARIO Y TODA LA INFORMACIÓN SOBRE SEGURIDAD. Para familiarizarse con la ubicación de los controles, compare las siguientes ilustraciones con su cultivadora. **Guarde este manual para referencias futuras.**



Control del acelerador – Controla la velocidad del motor y la rotación de los dientes. La cultivadora está equipada con un embrague centrífugo que engancha el sistema de transmisión de los dientes cuando se aumenta la velocidad del motor.

Palanca de control del cebador – Se usa para ayudar a arrancar el motor en frío. **Interruptor de ENCENDIDO / APAGADO (ON / OFF)**– La posición ENCENDIDO (ON) permite arrancar el motor. La posición APAGADO (OFF) para el motor y no lo deja arrancar.

Manija de arranque manual – El motor está equipado con una manija de arranque manual fácil de usar.

Barra de profundidad – Puede ajustar la altura de las ruedas para regular la profundidad de cultivo y para que éstas actúen como frenos para ayudar a controlar la dirección y la velocidad de la cultivadora.

Ruedas de transporte – Monte las ruedas en la posición más baja cuando esté trasladando la cultivadora.

PROTECCIÓN PARA LOS OJOS

Use siempre gafas de seguridad. Si ya usa anteojos, póngase también una careta protectora.



ADVERTENCIA: La cultivadora puede lanzar con fuerza algunos objetos que a su vez pueden causar lesiones graves, especialmente a los ojos. Use siempre gafas de seguridad o caretas protectoras durante la operación de la cultivadora.

OPERACIÓN

CÓMO USAR LA CULTIVADORA

Cómo detener la cultivadora

1. Suelte el control del acelerador para detener la rotación de los dientes.
2. Mueva el interruptor de ENCENDIDO / APAGADO (ON/OFF), ubicado en el motor, a la posición APAGADO (OFF).

Cómo ajustar la profundidad

Use la **barra de profundidad** para controlar la profundidad de cultivo y la velocidad de avance. Ajuste la **barra de profundidad** a la posición de cultivo deseada, siguiendo los pasos siguientes:

1. Quite la **horquilla** y el **pasador de horquilla** de la **barra de profundidad** (vea la Figura 4).
2. Ajuste la **barra de profundidad** hacia arriba para cavar a menor profundidad o hacia abajo para cavar a mayor profundidad.
3. Instale nuevamente el **pasador de horquilla** y la **horquilla**.

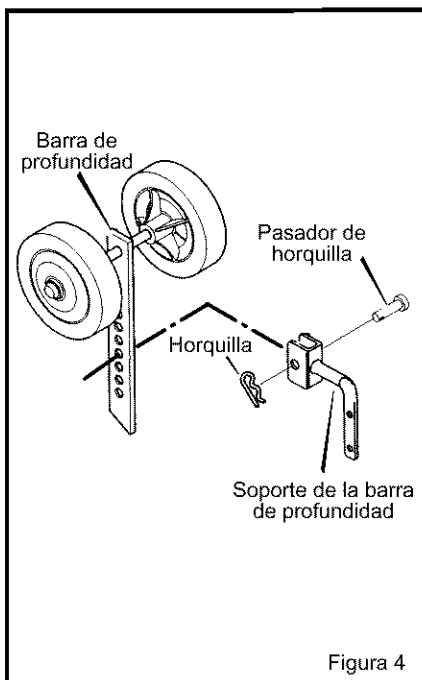


Figura 4

Cómo operar la cultivadora

1. Arranque el motor.
2. Incline la unidad hacia atrás sobre la barra de profundidad hasta que los dientes queden fuera de la tierra. Apriete el control del acelerador contra la agarradera todo lo que pueda. El motor es controlado por un regulador y debe correr a toda velocidad mientras cultiva.
3. Sujete firmemente el mango e incline lentamente la unidad hacia adelante para comenzar el proceso de cultivo.
4. A medida que los dientes empiecen a hacer contacto con el suelo, detenga la unidad sujetando las agarraderas del mango para que los dientes se entierren en el suelo y la unidad no comience a desplazarse sobre el suelo.
5. Evite arar tierra muy seca, ya que esto sólo producirá un polvo que no retiene agua. Asimismo, evite arar tierra muy mojada, ya que esto excederá la capacidad de la máquina y producirá terrones / acumulaciones de tierra.
6. Bajando la barra de profundidad disminuirá la velocidad de avance de la cultivadora y hará que ésta cultive a mayor profundidad. Levantando la barra de profundidad hará que la unidad avance más rápido y cultive a menor profundidad. Consulte "Cómo ajustar la profundidad".



ADVERTENCIA: Manténgase alejado de los dientes giratorios. Éstos pueden causar lesiones.

OPERACIÓN

ANTES DE HACER ARRANCAR EL MOTOR

Cómo preparar el motor



ADVERTENCIA: Use siempre un recipiente de seguridad para el combustible. No fume cuando esté reabasteciendo el motor. No reabastezca dentro de un local cerrado. Apague el motor antes de añadir combustible. Deje enfriar el motor por varios minutos.

Cómo preparar la mezcla de combustible

El motor de dos tiempos que tiene esta cultivadora requiere una mezcla de gasolina y aceite para lubricar los cojinetes y los demás componentes móviles. La proporción indicada para la mezcla es de 24:1 (5,2 onzas de aceite por cada galón de gasolina – consulte la Tabla de mezcla de combustible). Es necesario premezclar la gasolina y el aceite en un contenedor de gasolina limpio. Use siempre gasolina nueva, limpia y sin plomo.

Mezcle la gasolina y el aceite de la manera siguiente:

1. Eche un (1) cuarto de galón (EE.UU.) de gasolina para automóvil nueva, limpia y sin plomo, dentro de un contenedor de gasolina con capacidad para un galón.

2. Añada al contenedor de gasolina 5,3 onzas de aceite para motor de dos tiempos asegurándose que el aceite esté limpio y que sea de buena calidad.

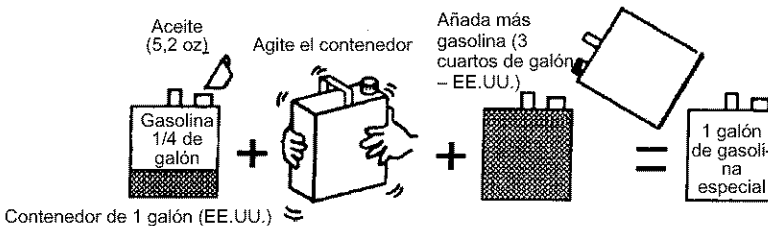
IMPORTANTE: No use aceite de motor fuera de bordo o aceites multiviscosidad como 10W-30 ó 10W-40.

3. Coloque la tapa en el contenedor y agítelo vigorosamente para mezclar la gasolina con el aceite.
4. Añada al contenedor otros tres (3) cuartos de galón (EE.UU.) de gasolina. Agite nuevamente el contenedor.
5. Con esto se completa la preparación de la mezcla de gasolina. Ahora, puede añadirle al tanque de combustible.

TABLA DE MEZCLA DE COMBUSTIBLE
(proporción de 24:1)

EE.UU.		SI. (métrico)	
GAS.	ACEITE	GAS.	ACEITE
1 galón	5,2oz.	4 litros	0,167 L
2 gal.	11 oz.	8 litros	0,333 L
5 gal.	27 oz.	20 litros	0,833 L

No llene el tanque de combustible con gasolina sin antes mezclarla con aceite. Agite el contenedor de gasolina cada vez que tenga que llenar el tanque de combustible.



OPERACIÓN

CÓMO ARRANCAR EL MOTOR

Antes de arrancar el motor, asegúrese de haber leído y entendido todas las instrucciones de las páginas anteriores.

1. Llene el tanque de combustible hasta 1/2 pulgada del tope del tubo de llenado. Coloque la tapa del tanque de manera que quede segura. Use siempre gasolina nueva, nunca use gasolina que pueda estar añeja debido a un almacenamiento prolongado.
2. Mueva el interruptor de encendido—apagado (on—off) a la posición ON (vea la Figura 5).
3. Mueva el control de cebado a la posición de cebado completo (FULL CHOKE) (completamente hasta abajo).

NOTA: No utilice el control de cebado cuando el motor esté caliente.

4. Incline la cultivadora hacia atrás sobre la barra / varilla de profundidad o las ruedas de transporte para elevar los dientes del suelo.
5. Sujete firmemente el mango superior para estabilizar la cultivadora.
6. Jale la manija lentamente hasta que sienta resistencia del motor. Regrese (lentamente) la manija a su posición original.
7. Jale la manija de arranque rápida y completamente varias veces con el brazo hasta que el motor arranque.

8. Una vez que el motor arranque, mueva el control de cebado a la posición de CEBADO MEDIO (HALF CHOKE). Cuando el motor esté corriendo de manera uniforme, mueva el control de cebado a la posición de CEBADOR APAGADO (NO CHOKE).

NOTA: Si los dientes no dejan de girar cuando se suelta el control del acelerador, ajuste la velocidad de marcha mínima del carburador. Consulte “Cómo ajustar el carburador” en la sección de servicio y ajustes.

9. Para parar el motor, suelte el control del acelerador y mueva el interruptor de encendido—apagado (on—off) a la posición de APAGADO (OFF).
10. Si el motor se ahoga, saque la bujía y séquela. Consulte “Mantenimiento de la bujía” en la sección de mantenimiento de este manual. Luego, jale la cuerda de arranque con la palanca del cebador en la posición CEBADOR APAGADO (NO CHOKE).



ADVERTENCIA: El silenciador y los componentes adyacentes se calientan a temperaturas muy elevadas cuando el motor ha estado en marcha. Evite el contacto directo con estas áreas.

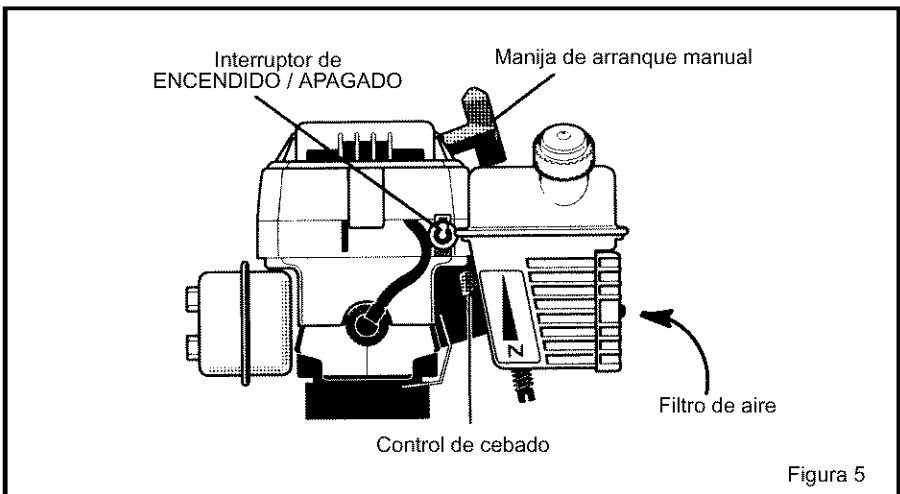


Figura 5

OPERACIÓN

CONSEJOS PARA CULTIVAR

- Arar es cavar, revolver y aflojar la tierra compactada antes de cultivar. La tierra suelta facilita el crecimiento de las raíces. La profundidad ideal de la excavación es de 4 a 6 pulgadas. La cultivadora también despejará la tierra de vegetación indeseable. La descomposición de esta materia vegetal sirve como abono y enriquece la tierra. Según el clima (lluvia y viento), es aconsejable cultivar la tierra después de la época de cosecha para enriquecer aún más el suelo.
- Evite arar tierra muy seca, ya que esto sólo producirá un polvo que no retiene agua. Asimismo, evite arar tierra muy mojada, ya que esto excederá la capacidad de la máquina y producirá terrones / acumulaciones de tierra.
- Conseguiré un mejor crecimiento de sus plantas o vegetales si el área ha sido arada adecuadamente y se usa de inmediato para mantener el contenido de humedad.
- La barra / varilla de profundidad (ubicada en la parte trasera de su cultivadora) sirve dos propósitos. Ayuda a regular la profundidad del corte y también sirve como freno para ayudar al operador a controlar la velocidad de la cultivadora.
- Bajando la barra / varilla hará que la cultivadora avance más lento y que cave a mayor profundidad. Levantando la barra / varilla hará que la cultivadora avance

más rápido y que cave a menor profundidad.

- Si la cultivadora deja de avanzar y trata de cavar más profundo que lo necesario, mueva el mango de lado a lado para iniciar la marcha hacia adelante.
- Cultivar es aflojar o cavar alrededor de plantas para facilitar su crecimiento.
- Cuando utilice la cultivadora para quitar maleza, es mejor no cavar a una profundidad mayor que 1–1/2 pulgada (si no, arrancará solamente las semillas de la maleza que aún no han germinado). Levantando la barra / varilla de profundidad le permitirá avanzar más rápido y excavar la tierra a menor profundidad.
- Cuando esté cultivando alrededor de plantas o espacios estrechos, puede remover los dientes exteriores. Consulte “Cómo quitar reemplazar los dientes” en la sección de servicio y ajustes.



ADVERTENCIA: Lea el Manual del usuario. Familiarícese con la ubicación y la función de todos los controles. Mantenga todos los dispositivos de seguridad y protectores en su lugar. Nunca permita que usen la unidad los niños o adultos no familiarizados con la operación de la cultivadora. Apague el motor antes de limpiar los dientes o de realizar alguna reparación. Mantenga a las personas alejadas de la máquina. Manténgase alejado de los dientes y piezas rotatorias. Estos pueden causar lesiones.

MANTENIMIENTO

RESPONSABILIDADES DEL USUARIO

REGISTRO DE SERVICIO Anote las fechas a medida que complete cada servicio.	Antes de cada uso	Después de las primeras 2 horas de uso	Cada 25 horas	Cada 75 horas	Antes de guardar	Antes de cada temporada	FECHAS DE SERVICIO
Apretar todos los tornillos y tuercas	✓	✓					
Lubricar el eje de los dientes			✓		✓		
Lubricar la transmisión			✓			✓	
Revisar la bujía			✓		✓		
Limpiar y aceitar el filtro de aire			✓		✓		
Limpiar los puertos de salida del cilindro				✓			
Vaciar el combustible					✓		

ESPECIFICACIONES DEL PRODUCTO

Modelo No.: 536.292522
Fecha de compra:
Caballos de fuerza: 2
Cilindrada: 3,0 pulg. cúb.
 (49,2 cc.)
Capacidad de gasolina: 20 onzas
Proporción – mezcla de combustible /Aceite: 24:1 Aceite a gasolina
 (5,2 onz. de aceite a 1 gal. de gasolina
 (use gasolina regular sin plomo)
Bujía: Champion
 RCJ-8Y
Entrehierro: 0,035 pulgada
RPM de marcha mínima: 1700–3000

RECOMENDACIONES

La garantía de esta cultivadora no cubre partes/piezas que hayan estado sujetas a abuso o negligencia por parte del operador. Para recibir el valor total de la garantía, el operador debe mantener la cultivadora de la manera indicada en este manual.

Para mantener su cultivadora en buen estado, es necesario hacerle algunos ajustes periódicamente.

Todos los ajustes a la unidad indicados en la sección de Servicio y Ajustes de este manual, deben ser realizados por lo menos una vez durante cada temporada.

MANTENIMIENTO

LUBRICACIÓN

Después de cada 25 horas de uso y/o a principios de cada temporada, asegúrese de que la caja de engranajes contenga lubricante (vea la Figura 6). Los tubos de lubricante para engranajes se pueden obtener en la mayoría de las tiendas de repuestos para automóviles. Use un lubricante para herramientas como Lubriplate 630AA (No. de producto 06787, tubo de 1-3/4 onzas) o Lubriplate GR-132 (No. de producto 15892, tubo de 10 onzas).

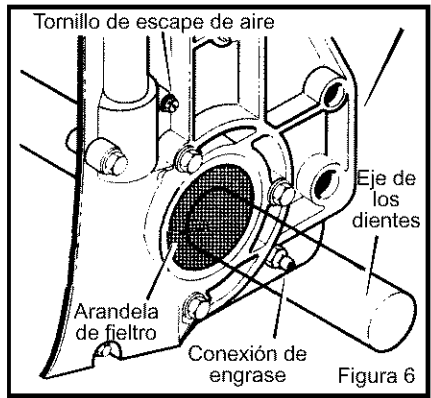
Después de limpiar y antes de almacenar la unidad, aplique aceite al **eje de los dientes** (vea la Figura 6).



ADVERTENCIA: Deje que se enfríe la caja de transmisión antes de aplicar el lubricante.

1. Desmonte ambos dientes izquierdos. Consulte "Desmontaje de los los dientes" en la sección de servicio y ajustes.
2. Saque el **ornillo del escape de aire** (vea la Figura 6).
3. Coloque la pistola engrasadora en la **conexión de engrase**. Llène la caja de transmisión hasta que salga aceite del agujero del tornillo de escape de aire.
4. Instale el **ornillo del escape de aire**.

5. Revise la **arandela de fieltro** (vea la Figura 6). Si la **arandela de fieltro** está dañada, reemplácela (consulte la sección sobre piezas de repuesto en este manual).
6. Limpie y lubrique el **eje de los dientes** con unas gotas de aceite.
7. Vuelva a montar los dientes del lado izquierdo.
8. Desmonte ambos dientes derechos. Examine la **arandela de fieltro** para verificar que no esté dañada. Limpie y lubrique el **eje de los dientes**. Vuelva a montar los dientes del lado derecho.



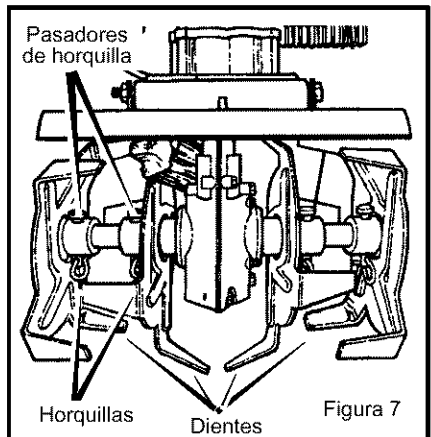
CÓMO LIMPIAR LOS DIENTES

Siempre despeje la cultivadora después de cada uso. Quite cualquier cuerda, alambre o materia vegetal que pudiera trabar el mecanismo e impedir la rotación de los dientes.

1. Desenganche el control del acelerador y coloque el interruptor de encendido / apagado (ON-OFF) en la posición de APAGADO (OFF). Desconecte el cable de la bujía.
2. Use guantes para quitar las **horquillas** y los **pasadores de horquilla** que sujetan los conjuntos de dientes al eje (vea la Figura 7). Quite los dientes del eje.
3. Despeje el eje y los dientes de cualquier basura. Limpie y lubrique el eje de los dientes con unas gotas de aceite.
4. Vuelva a montar los dientes en el eje co-F-011302M

locando de nuevo las horquillas y los pasadores de horquilla.

5. Conecte el cable de la bujía.



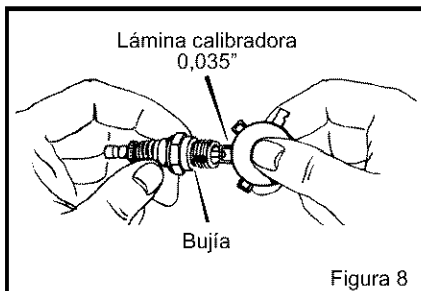
MANTENIMIENTO

BUJÍA

Revise la **bujía** después de cada 25 horas de uso. Debe reemplazar la **bujía** si los electrodos se encuentran dañados o quemados, o si la porcelana está agrietada.

1. Asegúrese de que la **bujía** esté limpia. Si no lo está, límpiela raspando con cuidado los electrodos (no limpie por chorro de arena ni use cepillos de alambre).
2. Revise el entrehierro de la **bujía** usando una **lámina calibradora**. Consulte la sección "Especificaciones del Producto" para informarse sobre la medida correcta para el entrehierro de la **bujía** y sobre el tipo de **bujía** de repuesto.

3. Antes de instalar la **bujía**, aplique una capa ligera de aceite a la parte roscada para facilitar su remoción. Apriete la **bujía** hasta lograr un par de apriete de 15 libras-pie.



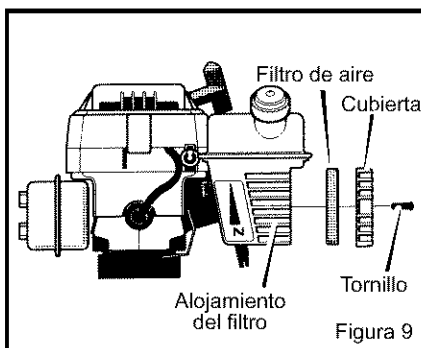
CÓMO LIMPIAR EL FILTRO DE AIRE

El motor usa un filtro de aire hecho de espuma que se puede limpiar y volver a usar. Limpie y engrase el filtro de aire después de cada 25 horas de uso. En condiciones donde haya mucho polvo, limpie el filtro con mayor frecuencia. Saque y limpie el filtro de aire de la manera siguiente:

PRECAUCIÓN: Nunca opere la unidad sin el filtro de aire. Un filtro tapado con polvo puede reducir el rendimiento del motor y causar gran desgaste o daño al motor. Si el filtro está tapado, límpielo o reemplácelo inmediatamente.

1. Desconecte el cable de la bujía.
2. Quite los **tornillos** que sujetan la **cubierta del filtro de aire** (vea la Figura 9). Desmonte la **cubierta del filtro** y el **filtro de aire**.
3. Limpie la **cubierta** y el interior del **alojamiento del filtro** con un trapo limpio.
4. Limpie el **filtro de aire** usando una solución jabonosa de agua y detergente para el hogar. Enjuague el filtro completamente con agua limpia.

5. Envuelva el **filtro de aire** en un trapo limpio y seco. Exprima (sin retorcer) hasta que el filtro esté seco.
6. Aplique aceite al exterior del **filtro de aire**. Use el mismo aceite que usa para mezclar el combustible. Comprima ligeramente el **filtro de aire** para distribuir y eliminar el exceso de aceite.
7. Coloque el **filtro de aire** en el **alojamiento del filtro**.
8. Instale la **cubierta del filtro de aire** y sujétela con los **tornillos**, de la manera ilustrada.
9. Conecte el cable de la bujía.



SALIDAS DE ESCAPE DEL CILINDRO

Limpie las salidas de escape del cilindro después de cada 75 horas de operación. Se recomienda llevar la unidad a un Centro de Servicio Sears para realizar este procedimiento.

SERVICIO Y AJUSTES

CÓMO DESMONTAR E INSTALAR LOS DIENTES

Cuando se indica el lado izquierdo o derecho de la cultivadora en este manual, siempre se refiere al punto de vista del operador en su posición detrás de la unidad.

Los cuatro dientes son diferentes y no se pueden intercambiar. Por lo tanto, deben instalarse correctamente o la cultivadora no funcionará de manera apropiada.

Para cultivar en espacios estrechos o alrededor de plantas, se pueden desmontar los dientes de ambos extremos reduciendo la anchura de cultivo a 18 centímetros (7 pulgadas), aproximadamente.

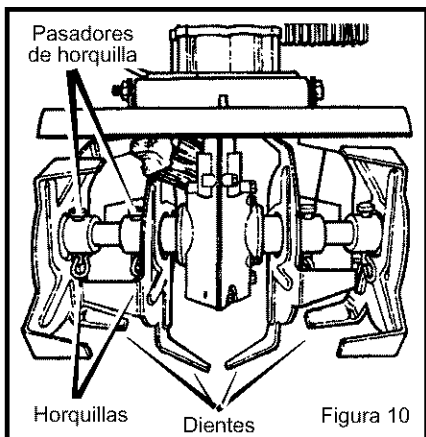


ADVERTENCIA: Los dientes se afilan solos. El uso los hará aún más afilados, por lo tanto deben manipularse con cuidado.

Los dientes se desgastarán de manera uniforme. En caso de que se tengan que reemplazar debido al desgaste, se recomienda reemplazar los cuatro dientes en conjunto. Siga los pasos siguientes para reemplazar los dientes:

Desmontaje de los dientes

1. Coloque el interruptor de encendido / apagado (on-off) en la posición de APAGADO (OFF).
2. Desconecte el cable de la bujía.
3. Usando guantes, quite las **horquillas** y los **pasadores de horquilla** que sujetan los conjuntos de dientes al eje (vea la Figura 10). Desmonte los **dientes** de un lado de la unidad.



Instalación de los dientes

1. Limpie y lubrique el eje de los dientes con unas gotas de aceite.
2. Coloque el diente interno en el eje y vuelva a instalar la **horquilla** y el **pasador de horquilla**.
3. Cuando los dientes se instalan correctamente, se verá la letra **R** en el lado exterior del **diente derecho** (vea la Figura 11). La letra **L** aparecerá en el lado exterior del diente izquierdo.



4. Instale el diente externo en el eje y sujételo con la **horquilla** y el **pasador de horquilla** (vea la Figura 10).
5. Las puntas de los dientes externos están orientadas hacia el diente interno. Cuando los dientes se instalan correctamente, se verá la letra **R** en el diente derecho, y se verá la letra **L** en el diente izquierdo.
6. Repita los pasos anteriores para el otro lado de la unidad.

NOTA: Asegúrese de instalar los dientes en los lados correctos en la unidad.

SERVICIO Y AJUSTES

CÓMO AJUSTAR EL CARBURADOR

Un filtro de aire tapado impedirá el buen funcionamiento del motor o provocará la generación excesiva de humo. Asegúrese de que el filtro de aire esté limpio antes de ajustar el carburador. Nunca haga ajustes innecesarios al carburador, éste ha sido calibrado en la fábrica para funcionar de manera óptima en la mayoría de las condiciones de uso. No obstante, si es necesario ajustarlo, se recomienda comunicarse con el Centro de Servicio de Sears más cercano a usted. Si está suficientemente capacitado para hacer ajustes al carburador, siga los pasos a continuación.



ADVERTENCIA: Preste mucha atención al realizar ajustes que requieran que el motor esté en marcha. Aleje las manos, los pies, el cabello y la ropa holgada de todas las partes/piezas en movimiento.

1. Gire el **tornillo de ajuste de la mezcla** hacia la derecha hasta que cierre (vea la Figura 12).

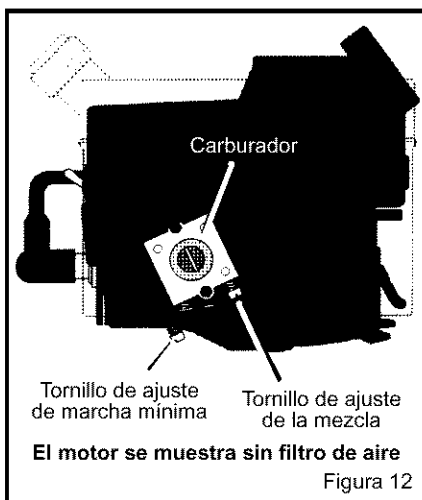
IMPORTANTE: Para evitar daño al carburador o al tornillo de ajuste, use los dedos para apretar los tornillos de ajuste.

2. Gire el **tornillo de ajuste de la mezcla** una vuelta hacia la izquierda.
3. Arranque el motor y déjelo calentar entre 3 y 5 minutos. No se debe ajustar el carburador con el motor frío.
4. Si nota que la marcha del motor es irregular, o si éste se apaga al colocar la palanca del cebador en la posición de apagado (CHOKE OFF), gire el **tornillo de ajuste de la mezcla** otro 1/8 de vuelta hacia la izquierda.
5. Con el motor en marcha, suelte el control del acelerador (posición de marcha mínima) antes de ajustar la mezcla.
6. Gire lentamente el **tornillo de ajuste de la mezcla** hacia la derecha hasta que el motor empiece a correr de forma irregular. Anote esta posición.
7. Gire lentamente el tornillo de ajuste de la mezcla hacia la izquierda hasta que el motor empiece a correr nuevamente de manera irregular. Anote esta posición.

8. Gire el tornillo de ajuste de la mezcla hacia la derecha hasta que se encuentre entre las dos posiciones anotadas.
9. Revise la velocidad de marcha mínima. Arranque el motor y desenganche el control del acelerador. Si los dientes no giran al desenganchar el control del acelerador, la velocidad de marcha mínima es correcta. Si los dientes giran al desenganchar el control del acelerador, ajuste la velocidad de marcha mínima del motor como se describe a continuación.
10. Con la ayuda de otra persona, incline la cultivadora hacia atrás (sobre la barra / varilla de profundidad) hasta que los dientes queden suspendidos.
11. Arranque el motor.
12. Con el acelerador en la posición desenganchada (marcha mínima), gire el **tornillo de ajuste de marcha mínima** hacia la izquierda hasta que los dientes dejen de girar.



ADVERTENCIA: El regulador de velocidad del motor ha sido calibrado en la fábrica. No haga ajustes al regulador de velocidad. El hacer funcionar el motor a velocidad excesiva puede ser peligroso. Si piensa que el regulador del motor requiere un ajuste, comuníquese con el Centro de Servicio de Sears más cercano.



SERVICIO Y AJUSTES

ALMACENAMIENTO



ADVERTENCIA: Nunca guarde la cultivadora con combustible en el tanque en un recinto cerrado. Nunca la guarde en un área cerrada y con poca ventilación, donde los vapores del combustible pudieran alcanzar una llama expuesta, chispas o el piloto de un sistema de calefacción, calentador de agua o secadora de ropa.



ADVERTENCIA: No vacíe el tanque de combustible dentro de un recinto cerrado, cerca de fuego o de alguna llama expuesta, o mientras esté fumando. Los vapores de la gasolina pueden causar una explosión o un incendio.

Cuando es necesario almacenar la cultivadora por treinta días o más, siga los pasos indicados a continuación para asegurar que la cultivadora esté en buenas condiciones de uso para la siguiente temporada.

Cultivadora

- Limpie bien la cultivadora.
- Desmonte los dientes. Limpie y engrase los ejes de los dientes. Monte los dientes en los ejes respectivos. Consulte "Desmontaje e instalación de los dientes" en la sección de servicio y ajustes.
- Afloje las perillas que sujetan el mango superior al mango inferior. Doble cuidadosamente el mango superior. Asegúrese de no doblar el cable del acelerador. Apriete las perillas.
- El travesaño del mango superior (entre el mango inferior) puede usarse como un asa de transporte. También puede usarlo para colgar la cultivadora (en un gancho de pared).
- La cultivadora debe almacenarse en un lugar que disponga de buena ventilación.

- Proteja la cultivadora con una cubierta apropiada que no retenga humedad. No use cubiertas de plástico.

IMPORTANTE: Nunca cubra la cultivadora mientras el motor y las áreas de escape estén todavía calientes.

NOTA: Una revisión o afinado anual hecha en un Centro de Servicio de Sears es una buena manera asegurar que su cultivadora le brindará un rendimiento óptimo en la próxima temporada.

Motor

IMPORTANTE: Es importante evitar que se formen residuos de gomorresina en los componentes del sistema de combustión tales como el carburador, filtro de combustible, línea de combustible, y el tanque durante el almacenamiento de la unidad. Además, el uso de combustibles mezclados con alcohol (llamados gasohol, etanol o metanol) puede atraer humedad lo cual lleva a la separación del combustible y a la formación de ácidos durante el almacenamiento de la unidad. Los gases ácidos que se forman pueden dañar el sistema de combustión de un motor.

Para prevenir el daño al motor cuando la cultivadora está guardada por 30 días o más, siga los pasos siguientes:

- Deje el motor en marcha hasta que se termine la gasolina.
- Jale lentamente la manija de arranque manual hasta que sienta la resistencia debido a la compresión del cilindro. Entonces deténgase.
- Suelte lentamente la cuerda de arranque manual. En esta posición se cierran las válvulas de entrada y salida, ayudando a evitar la corrosión del pistón y del cilindro.

TABLA DE LOCALIZACIÓN DE AVERÍAS

PROBLEMA	CAUSA	SOLUCIÓN
El motor arranca con dificultad	Combustible viejo	Vacíe el tanque de combustible. Llénelo con combustible fresco.
	Demasiado aceite en la mezcla de combustible	Revise la tabla de mezcla de combustible y mezcle más combustible fresco.
El motor marcha de forma irregular	Suciedad en el tanque de combustible o falta de combustible	Limpie el tanque de combustible.
	Carburador desajustado	Consulte la sección sobre ajuste del carburador.
	Bujía sucia	Limpie y calibre el entrehierro de la bujía.
El motor no corre a toda marcha	Filtro de aire sucio	Limpie y aplique aceite al filtro de aire.
El motor tiene dificultad para acelerar	Suciedad que impide el enganche correcto del acelerador	Limpie la parte superior del carburador.
El motor genera humo excesivo	Filtro de aire obstruido	Limpie y aplique aceite al filtro de aire.
	Demasiado aceite en la mezcla de combustible	Revise la tabla de mezcla de combustible y mezcle más combustible fresco.
Los dientes continúan girando al desenganchar el control del acelerador	Carburador desajustado	Ajuste la marcha mínima del carburador. Consulte "Ajuste del carburador" en la sección de mantenimiento.
Los dientes no giran	Los dientes están obstruidos	Limpie los dientes. Consulte "Cómo limpiar los dientes" en la sección de mantenimiento.
La unidad no cultiva correctamente	Montaje incorrecto de los dientes	Verifique que los dientes hayan sido instalados correctamente. Consulte "Desmontaje e instalación de los dientes" en la sección de servicio y ajustes.