

# Panasonic®

## Color Video Projection System Operating Instructions

PT-51HX40

PT-61HX40

PT-56HX40



*ISSUE 0*

TQB2AA0342 00320  
PRINTED IN USA

## WARNING

To move set, push from left side of set. Casters on right side do not pivot in all directions. Set can tip over if moved from right side, with risk of personal injury.

## ADVERTENCIA

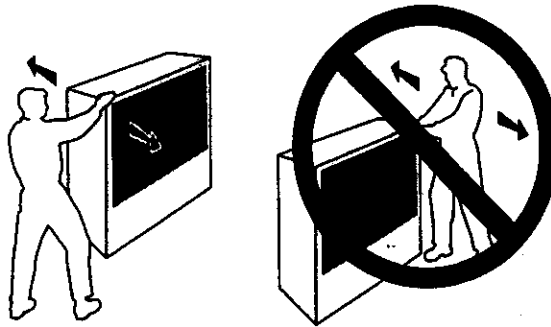
Para mover el conjunto, empuje desde el lado izquierdo del mismo. Los rolanas de la derecha no son pivotantes en todas las direcciones. El conjunto se puede tumbar si se lo mueve desde el lado derecho, corriendo así el riesgo de sufrir daños personales.

## Mise en garde



Lors du déplacement du téléviseur, le pousser sur son côté gauche. Les roulettes du côté droit ne pouvant tourner dans toutes les directions, l'appareil pourrait tomber s'il est poussé de ce côté et causer ainsi des risques de blessure.

## 警告

移動本機時，請從本機左側推動。推車右側不能旋轉。如從右側移動，則機體可能傾倒並造成傷害。



Certain audio features of this product manufacture under a license from Desper Products, Inc. Spatializer® and the circle-in-square device and trademarks owned by Desper Products, Inc. Spatializer U.S. Patents are: 4,308,423; 4,355,203 and 5,412,731.

	<b>WARNING</b> RISK OF ELECTRIC SHOCK DO NOT OPEN	
<b>WARNING:</b> To reduce the risk of electric shock do not remove cover or back. No user-serviceable parts inside. Refer servicing to qualified service personnel.		



The lightning flash with arrow head within a triangle is intended to tell the user that parts inside the product are a risk of electric shock to persons.



The exclamation point within a triangle is intended to tell the user that important operating and servicing instructions are in the papers with the appliance.

**WARNING:** To prevent fire or shock hazard, do not expose this appliance to rain or moisture.

**Table of Contents**

**Congratulations .....3**  
Customer Record .....3  
Care and Cleaning .....3  
Specifications .....3  
**Installation.....4**  
Television Location.....4  
Optional Cable Connections.....4  
AC Power Supply Cord .....4  
Cable / Antenna.....4  
Optional Equipment Connections.....5  
VCR Connection.....5  
Cable Box Connection.....6  
VCR and Cable Box Connection .....7  
Amplifier Connection (To Audio Amp) .....8  
Program Out Connection (Prog.Out).....8  
Dolby Center Channel Input Connection.....9  
**Digital TV - Set-Top (DTV-STB) or DVD**  
**Connection .....10**  
**Picture In Picture (PIP) Operation .....11**  
Basic PIP Operation .....11  
PIP Operation with a Cable Box.....11  
**Roller Guide Menu™ Navigation .....12**  
Basic Navigation.....12  
Remote Control Guide.....12  
**Roller Guide Feature Chart.....13**  
**Special Features .....16**  
Menu Languages.....16  
Program Channels .....16  
Closed Captioning.....16  
Closed Caption on Mute.....17  
Convergence.....17  
Sleep Timer .....19  
Timer 1 and 2 .....19  
Picture Adjustments .....20  
Audio Dolby Center Mode & Fixed Audio Out .....20  
Channels Favorite and Captions .....21  
Lock .....22  
**Troubleshooting Chart.....23**

**Read these instructions completely before operating PTV.**

**Contents are subject to change without notice or obligation.**

Copyright 2000 by Matsushita Electric Corporation of America. All rights reserved.  
Unauthorized copying and distribution is a violation of law.

## **Congratulations**

Your new Projection Television (PTV) features state-of-the-art technology for high quality picture and sound with complete audio/video connections for your home theater system. Your PTV is designed to give you many years of enjoyment. It was thoroughly tested and tuned at the factory for best performance.

### **Customer Record**

The model and serial number of this product are located on the back of the PTV. You should note the model and serial number in the space provided and retain as a permanent record of your purchase. This will aid in identification in the event of theft or loss. Product registration for U.S. customers is available at: [www.prodreg.com/panasonic](http://www.prodreg.com/panasonic).

Model  
Number

Serial  
Number

### **Care and Cleaning**

#### **Projection Screen (Turn PTV Off)**

The projection screen is a high precision lens system which has a protective screen. The protective screen is fully washable with the following precautions:

- Use a mild soap solution or window cleaner and a clean cloth.
  - DO NOT USE ABRASIVE CLEANERS.
  - Do not use laundry detergent or automatic dishwasher soap.
  - Do not use alcohol, ammonia, or petroleum based products.
- Avoid excessive moisture and wipe dry.
  - Prevent solution from running into the receiver below.
- Avoid bumping or scraping the screen.

#### **Cabinet and Remote Control**

- For cabinets and remote control, use a soft cloth dampened with water or a mild detergent solution. Avoid excessive moisture and wipe dry.
- Do not use benzene, thinner or other petroleum based products.

### **Specifications**

<b>Power Source</b>  PT-51HX40 (3.6A) PT-56HX40 (3.6A) PT-61HX40 (3.6A)	120V AC, 60Hz
<b>Channel Capability - 181</b>	VHF-12; UHF-56; Cable-125
<b>4 Video Input Jacks</b>	1Vp-p, 75 Ohm, Phono Jack Type
<b>8 Audio Input Jacks</b>	500mV RMS 47K Ohm
<b>Video Output Jack</b>	1Vp-p, 75 Ohm, Phono Jack Type
<b>2 Audio Output Jacks</b>	0-2.0V RMS 4.7K Ohm
<b>Component Input (Y / P<sub>B</sub> / P<sub>R</sub>)</b>	75 Ohm, Phono Jack Type
<b>3 S-Video Input Jacks</b>	S-Video (Y-C) Connector

Specifications are subject to change without notice or obligation.

**Installation**

**Television Location**

This unit can be used as an entertainment center. Consult your dealer for available options.

- Avoid excessive sunlight or bright lights, including reflections.
- Keep away from excessive heat or moisture. Inadequate ventilation may cause internal component failure.
- Fluorescent lighting may reduce remote control transmitting range.
- Keep away from magnetic equipment, including motors, fans and external speakers.

**Optional Cable Connections**

Shielded audio and video cables should be used between components. For best results:

- Use 75-ohm coaxial shielded cables.
- Use appropriate input and output connectors, that match your component connectors.
- Avoid long cables to minimize interference.

**AC Power Supply Cord**

**CAUTION:** TO PREVENT ELECTRIC SHOCK, MATCH WIDE BLADE OF PLUG TO WIDE SLOT OF AC OUTLET AND FULLY INSERT. DO NOT USE A PLUG WITH A RECEPTACLE OR OTHER OUTLET UNLESS THE BLADE CAN BE FULLY INSERTED TO PREVENT BLADE EXPOSURE. FOR SOME MODELS THAT ARE NON-POLARIZED, THE USE OF AN AC ADAPTOR CONNECTOR MAY BE NECESSARY.



Polarized plug



Non-Polarized plug

**Cable / Antenna**

For proper reception, either a cable or antenna connection is required.

**Cable Connection**

Connect the cable supplied by your local cable company.

**Note:** A cable converter box may be required for proper reception. Check with your local cable company for compatibility requirements.

Incoming Cable from Cable Company



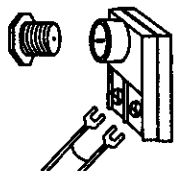
75 Ohm VHF/UHF on back of PTV


**Antenna Connections**

For proper reception of VHF/UHF channels, an external antenna is required. For best reception an outdoor antenna is recommended.

Connect home antenna to ANT1 connection on back of television. Select TV mode and ANT1 in the SET UP menu under Prog Chan.

Incoming Cable from Home Antenna

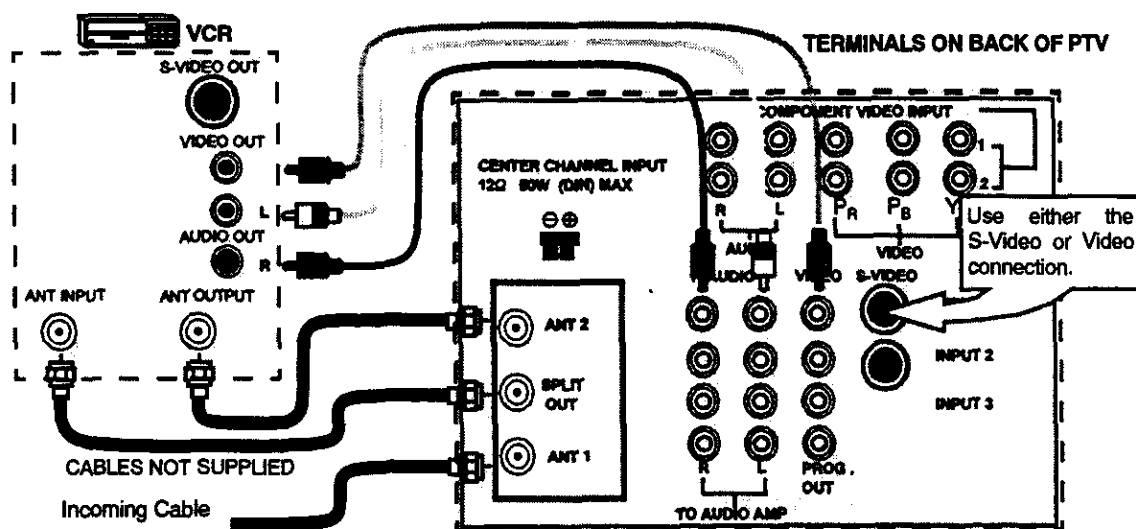


 <b>Cable Preset</b>
Cable Mode is preset at the factory. Antenna users must change to TV Mode and ANT 1 in the Set Up menu.

## Optional Equipment Connections

### VCR Connection

Follow this diagram when connecting your television to a VCR only.



**Note:** The remote control must be programmed with supplied codes to operate the VCR. See *Programming the Remote Control in the Remote Control Quick Reference Guide.*

### Viewing a television program

#### Procedure

1. Select ANT1 in the SET UP menu under Prog Chan (Program Channels).
2. Tune the television to the television program you want to view.

### Viewing a video

#### Procedure

- Option A
  1. Select ANT1 in the SET UP menu under Prog Chan (Program Channels).
  2. Press the **TV/VIDEO** button on the remote control to select the video input (VIDEO 1, VIDEO 2, etc.) connected to your VCR.
  3. Begin the video.
- Option B
  1. Select ANT2 in the SET UP menu under Prog Chan (Program Channels).
  2. Tune the television to Channel 3 or 4, depending on your VCR.
  3. Begin the video.

### Recording a television program

#### Procedure

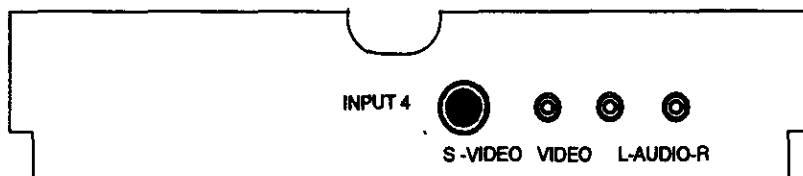
- Option A (Recording and viewing the same program)
  1. Select ANT2 in the SET UP menu under Prog Chan (Program Channels).
  2. Tune the television to Channel 3 or 4, depending on your VCR.
  3. Using the VCR, tune to the television program you want to record.
  4. Begin recording.
- Option B (Recording one program while viewing another program)
  1. Select ANT1 in the SET UP menu under Prog Chan (Program Channels).
  2. Press the **TV/VIDEO** button on the remote control to select the video input (VIDEO 1, VIDEO 2, etc.) connected to your VCR.
  3. Using the VCR, tune to the television program you want to record.
  4. Begin recording.
  5. Press the **TV/VIDEO** button on the remote control to switch back to TV mode.
  6. Tune the television to the television program you want to view.

## INSTALLATION

### Optional Equipment Connections (Cont.)

Open the door on the PTV front panel to use the connections for your optional equipment (Palmcorder, VCR, or other video components). Select input 4 mode by pressing TV/VIDEO button.

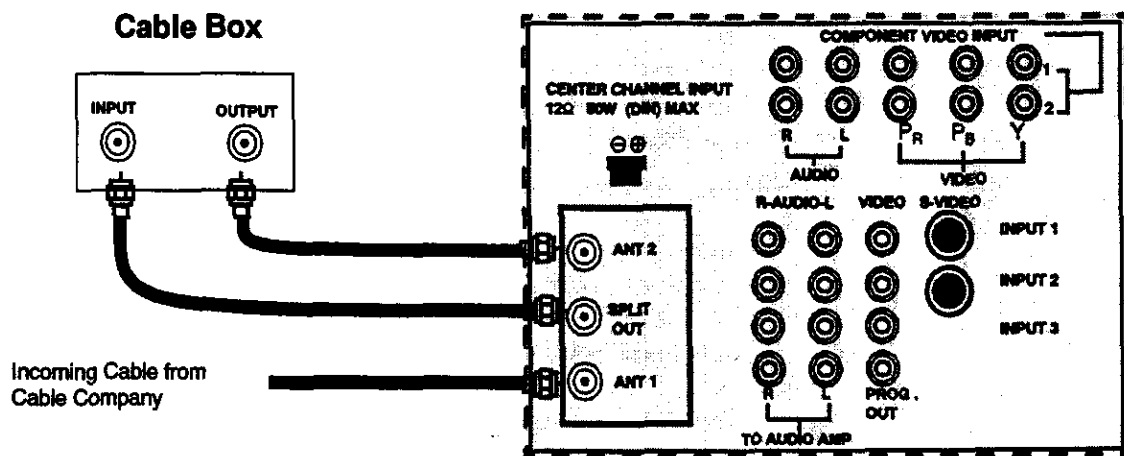
CONNECTIONS OF FRONT OF PTV



### Cable Box Connection

Follow this diagram when connecting your television to a cable box only.

TERMINALS ON BACK OF PTV



**Note:** The remote control must be programmed with supplied codes to operate the cable box. See Programming the Remote Control in the Remote Control Quick Reference Guide.

### Viewing a premium (scrambled) cable channel

#### Procedure

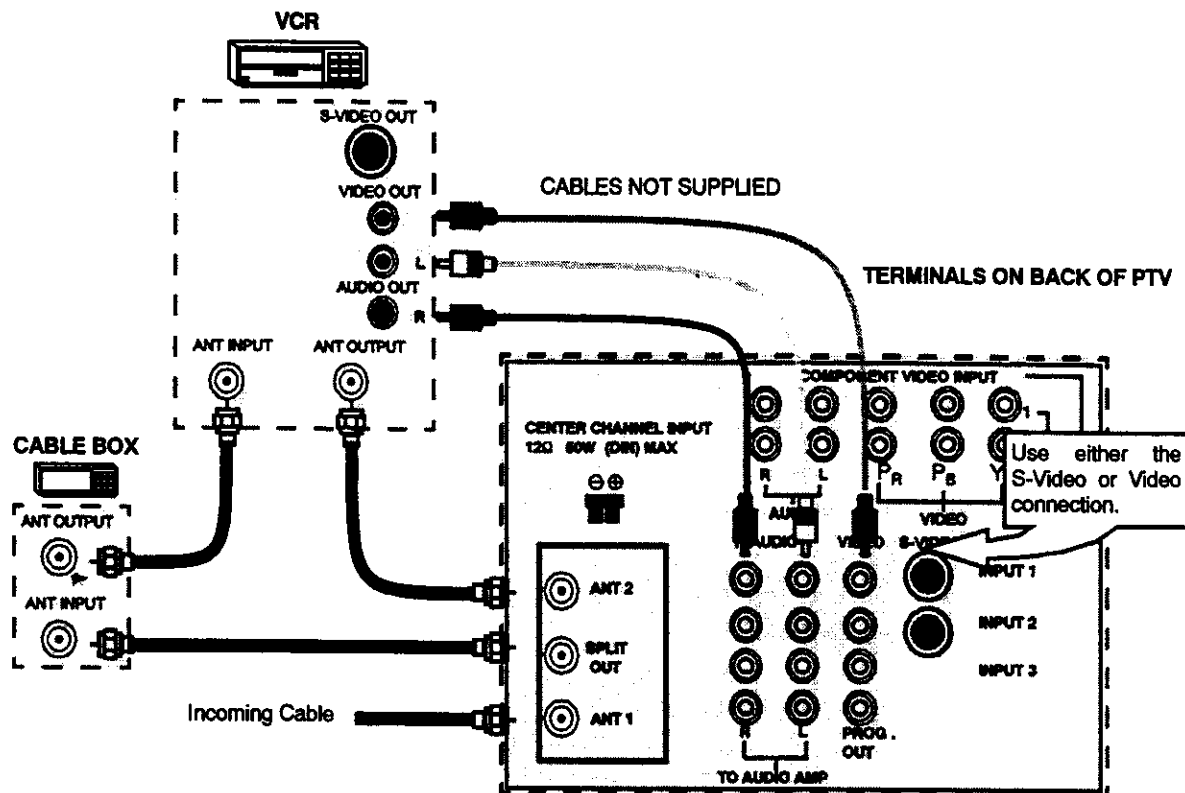
1. Select ANT2 in the SET UP menu under Prog Chan (Program Channels).
2. Tune the television to Channel 3.
3. Using the cable box, tune to the premium cable channel you want to view.

**Note:** To use special features such as Favorite Channels and Channel Captions (see Special Features section for more information), ANT1 must be selected in the SET UP menu under Prog Chan.

## Optional Equipment Connections (Cont.)

### VCR and Cable Box Connection

Follow this diagram when connecting your television to both a VCR and a cable box.



**Note:** The remote control must be programmed with supplied codes to operate the VCR and cable box. See *Programming the Remote Control in the Remote Control Quick Reference Guide*.

### Viewing a premium (scrambled) cable channel

#### Procedure

1. Select ANT2 in the SET UP menu under Prog Chan (Program Channels).
2. Tune the television to Channel 3.
3. Using the cable box, tune to the premium cable channel you want to view.

**Note:** To use special features such as *Favorite Channels* and *Channel Captions* (see *Special Features* section for more information), ANT1 must be selected in the SET UP menu under Prog Chan.

### Recording a premium (scrambled) cable channel

#### Procedure

1. Select ANT2 in the SET UP menu under Prog Chan.
2. Press the TV/VIDEO button on the remote control to select the video input ( VIDEO 1, VIDEO 2, etc.) connected to your VCR.
3. Turn the VCR ON.
4. Tune the VCR to Channel 3 or 4, depending on your VCR.
5. Using your cable box, tune to the premium cable channel you want to record.
6. Begin recording.

**Note:** To view a different channel while recording:

- Select ANT1 in the SET UP menu under Prog Chan.
- Press the TV/VIDEO button on the remote control to select TV mode.
- Tune the television to a television program (except another premium cable channel).



**Optional Equipment Connections (Cont.)**

**Amplifier Connection (TO AUDIO AMP)**

To listen through a separate stereo system, connect an external audio amplifier TO AUDIO AMP inputs on back of television.

**Note:** TO AUDIO AMP terminals cannot be connected directly to external speakers.

**Audio Adjustments**

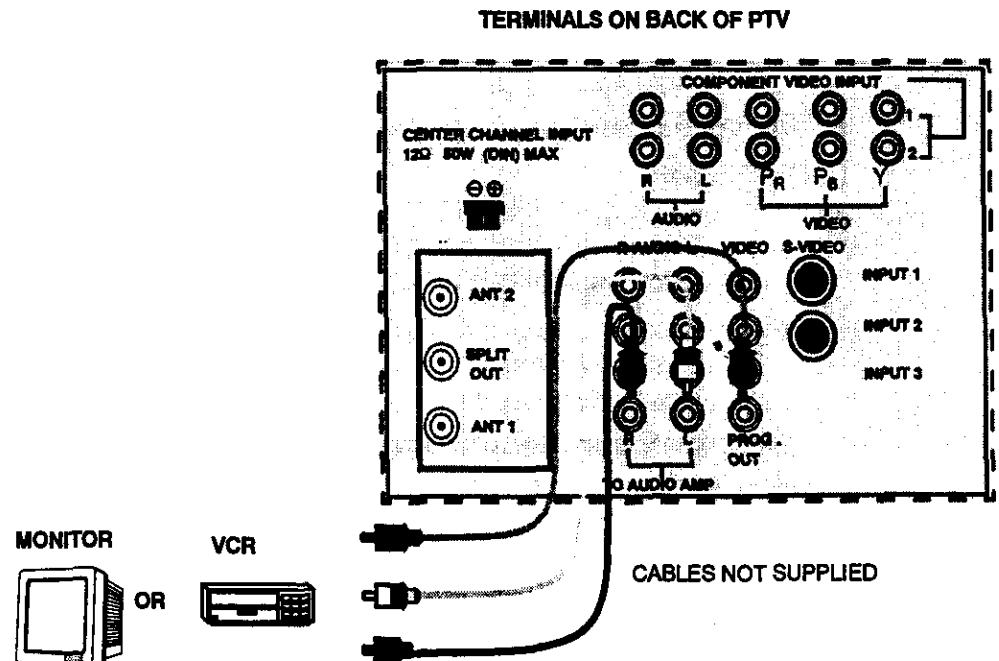
1. Select SPEAKERS ON located in the on screen AUDIO menu .
2. Set amplifier volume to minimum.
3. Adjust PTV volume to desired level.
4. Adjust amplifier volume to match the PTV.
5. Select SPEAKERS OFF & VARIABLE AUDIO OUT from AUDIO menu to control speakers from the PTV or select FIXED AUDIO OUT to control speakers from the external amplifier.
6. Volume, mute, bass, treble and balance are now controlled from the PTV, if you select VARIABLE AUDIO OUT mode.

**Program Out Connection (PROG. OUT)**

To use the PTV audio and video with optional video equipment, use PROG. OUT and TO AUDIO AMP terminals on the back of the PTV.

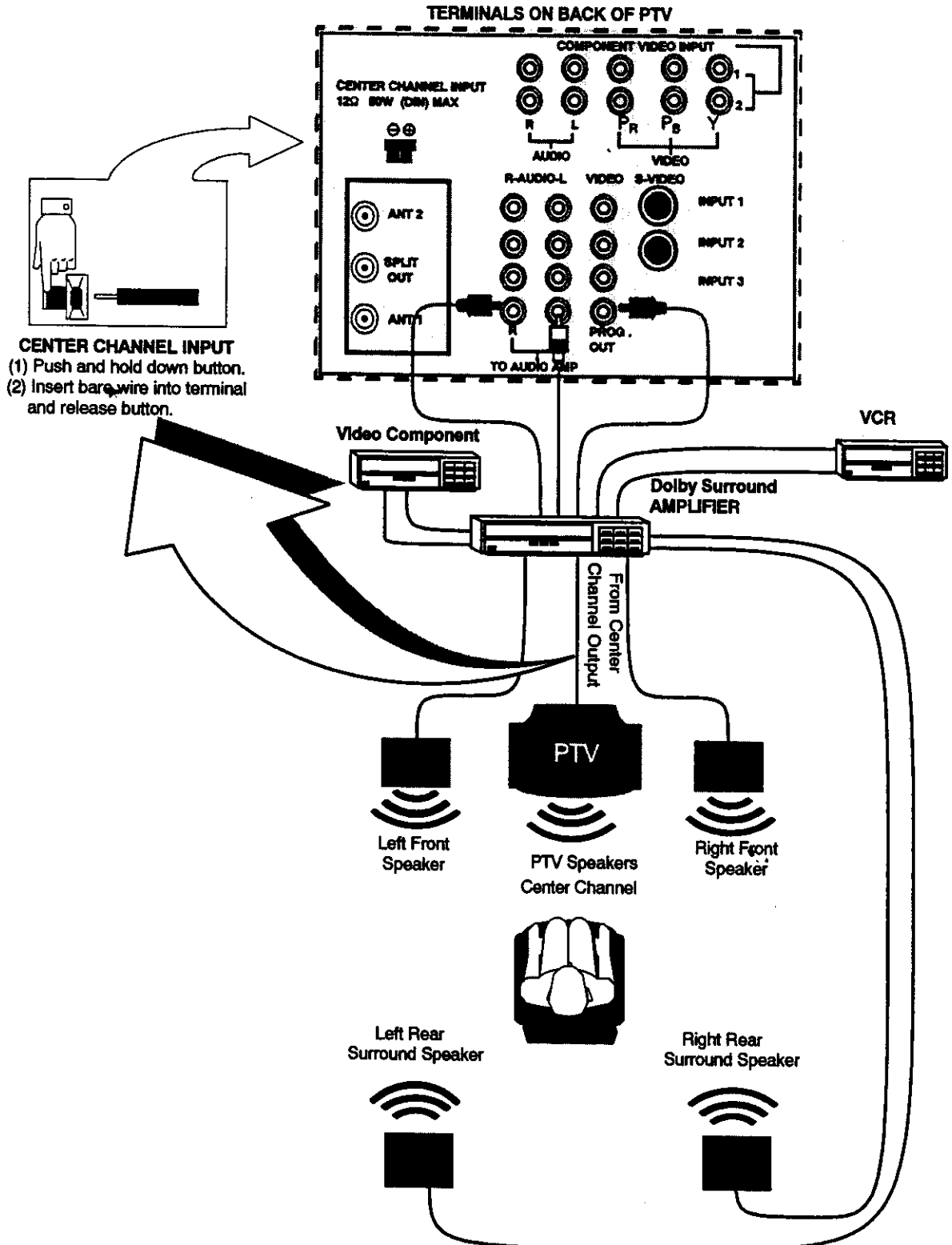
**Procedure**

1. Connect optional video equipment to PROG. OUT video and TO AUDIO AMP R/L Audio terminals.
2. PROG. OUT terminal display is the same as the on screen display.
3. See optional equipment manual for further instructions for recording or monitoring.



# Dolby Center Channel Input Connection

Your PTV can be configured to use the PTV speakers as center channel speakers in Dolby\* surround sound transmission. Connect a Dolby surround amplifier to CENTER CHANNEL INPUT on the back of the PTV as shown. DOLBY CENTER MODE & FIXED AUDIO OUT must be selected in the AUDIO Roller Guide™\*\* menu under SPEAKERS.



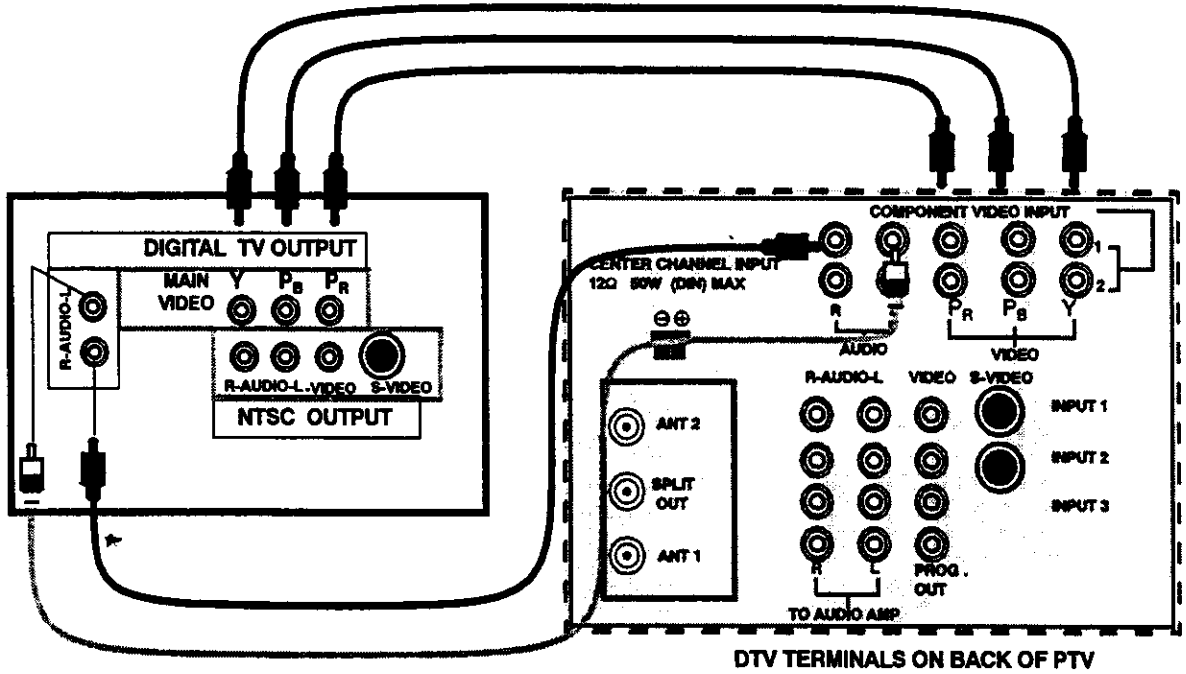
\*\*Dolby\* and \*Pro-logic\* are the trademarks of Dolby Laboratories Licensing Corporation.  
\*\*U.S. Patent Pending

**DIGITAL TV - SET-TOP BOX (DTV-STB) OR DVD CONNECTION**

**Digital TV - Set-Top Box (DTV-STB) or DVD Connection**

Use this diagram to connect the Panasonic DTV-STB (Digital TV-Set-Top Box) or DVD to the back of your PTV.

DTV TERMINALS ON BACK OF DTV-STB OR DVD



**Note:** There are three video inputs, Y, P<sub>B</sub>, and P<sub>R</sub>. Separate component color inputs provide luminance and color separation. Use the L (left) and R (right) audio inputs.

## **Picture In Picture (PIP) Operation**

This television includes a two tuner Picture In Picture (PIP) feature. This allows watching two (2) live broadcasts at the same time without or with an external video source (VCR).

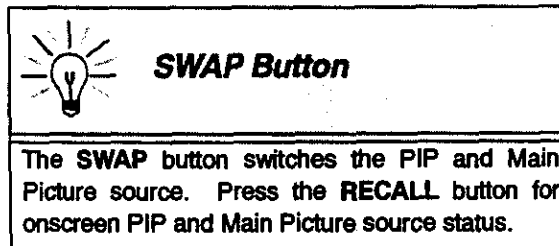
### **Basic PIP Operation**

#### **Procedure**

Press the **PIP** button on the remote control to display the *PIP* frame onscreen.

**Note:** *The audio is for the Main Picture only.*

1. Choose channels for the *PIP* frame by pressing the remote control **PIP CHANNEL** up/down buttons.
2. Choose channels for the *Main Picture* by pressing the remote control **CH** up/down buttons or by using the numeric keypad.



### **PIP Operation with a Cable Box**

#### **Procedure**

- To view premium (scrambled) cable channels through your cable box in the *Main Picture*:

**Note:** *Use this procedure if you want to watch premium cable channels in the Main Picture while viewing a television program or video in the PIP frame.*

1. Select **ANT2** in the **SET UP** menu under **Prog Chan** (Program Channels).
2. Tune television to Channel 3.
3. Press the **PIP** button on the remote control to display the *PIP* frame onscreen.

**Note:** *The audio is for the Main Picture only.*

4. Verify the cable box is **ON**.
5. Choose channels for the *Main Picture* by tuning the cable box.
6. Choose channels for the *PIP* frame by pressing the **TV** button on the remote control and using the **PIP CHANNEL** up/down buttons.

**Note:** *Swap is not available when using the cable box to tune channels. If your cable box has a video output, it can be connected to the television to allow you to use all PIP functions. See the equipment manual for more information. (Tune the PIP to the video input connected to the cable box).*

# ROLLER GUIDE MENU NAVIGATION

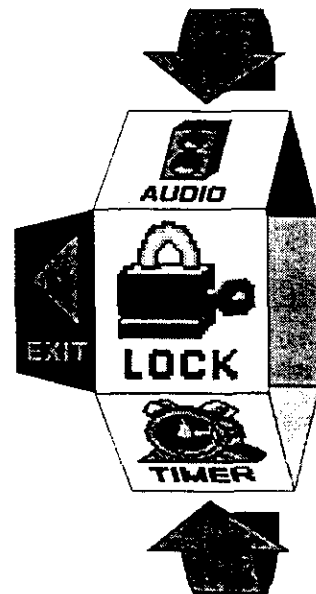
## Roller Guide Menu Navigation

### Procedure

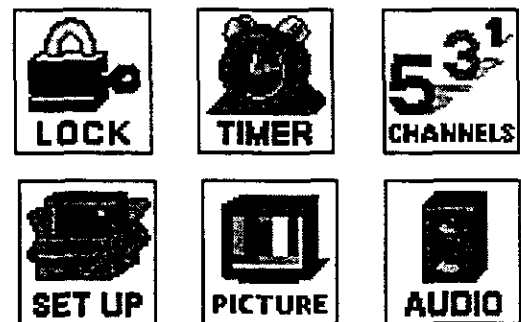
1. Press the **ACTION** button in the middle of the large blue button on the Remote Control to display the Roller Guide Menu.
2. Press the **CH** up/down to rotate the Roller Guide to the desired feature.
3. Press the **ACTION** button to display main menus and submenus.
4. Press the **CH** up/down buttons to highlight desired main menu feature.
5. Press the **VOL** right button to enter submenus.
6. Press the **CH** up/down buttons to highlight desired submenu feature.
7. Press the **VOL** right/left button to select or adjust feature.
8. Press the **ACTION** button twice to return to the Roller Guide Menu.
9. To exit the Roller Guide Menu, press the **VOL** left button.

**Note:** Be careful to press **ACTION** in the middle of the button. If you do not press in the middle of the button, the **(CH)** channel or **(VOL)** volume keys may be activated.

# Panasonic

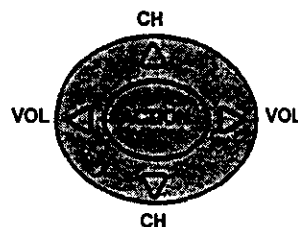


### ROLLER GUIDE MENU SELECTIONS



**▲▼ FOR MORE FEATURES  
PRESS ACTION TO SELECT**




### Remote ACTION / Navigation Button





### Remote Control Guide

The **Remote Control Quick Reference Guide** is located within the package provided with this PTV.



**Roller Guide Feature Chart**

MENU	DESCRIPTION
	<p style="text-align: center;"><b>SET UP</b></p>
<p style="text-align: center;"><b>LANGUAGES</b></p>	<p><input type="checkbox"/> Select English, Spanish, or French menu.</p>
<p style="text-align: center;"><b>PROG. CHAN</b> (Program Channels)</p>	<p><input type="checkbox"/> <b>MODE</b> - Select Cable or TV. See Installation section in manual.</p> <p><input type="checkbox"/> <b>ANTENNA</b> - Select ANT 1 or ANT 2.</p> <p><input type="checkbox"/> <b>AUTO PROGRAM</b> - Automatically program channels having a signal into memory.</p> <p><input type="checkbox"/> <b>MANUAL PROGRAM</b> - Manually add or delete channels from memory.</p>
<p style="text-align: center;"> (Closed Captioning)</p>	<p><input type="checkbox"/> <b>CC ON MUTE</b> - Activate C1-C4 for Closed Captioning display when the remote MUTE button is pressed.</p> <p><input type="checkbox"/> <b>CC MODE</b> - Select T1-T4 or C1-C4 for Closed Captioning, program guides and other information.</p>
<p style="text-align: center;"><b>OTHER ADJ.</b></p>	<p><input type="checkbox"/> <b>AUTO POWER ON</b> - Select SET to power up the TV at the same time as the Cable Box or other components or select OFF.</p> <p><input type="checkbox"/> <b>CONVERGENCE</b> - Adjustment may be required when the PTV is moved because of the effects of the Earth's magnetic field on the projection tubes.</p>
<p style="text-align: center;"></p>	<p style="text-align: center;"><b>AUDIO</b></p>
<p style="text-align: center;"><b>AUDIO ADJ.</b> (Adjustments)</p>	<p><input type="checkbox"/> <b>MODE</b> - Select STEREO, SAP (Second Audio Program) or MONO. (Use MONO when stereo signal is weak.)</p> <p><input type="checkbox"/> <b>BASS</b> - Increase or decrease the bass response.</p> <p><input type="checkbox"/> <b>TREBLE</b> - Increase or decrease the treble response.</p> <p><input type="checkbox"/> <b>BALANCE</b> - Emphasize the left/right speaker volume.</p> <p><input type="checkbox"/> <b>NORMAL</b> - Reset BASS, TREBLE and BALANCE to factory default.</p>
<p style="text-align: center;"><b>OTHER ADJ.</b> (Adjustments)</p>	<p><input type="checkbox"/> <b>AI SOUND</b> - Automatically adjust volume to maintain a comfortable listening level. (AI sound is not available in VIDEO mode).</p>

**Roller Guide Feature Chart (Cont.)**

<b>MENU</b>	<b>DESCRIPTION</b>
<b>SURROUND</b>	<input type="checkbox"/> <b>SPATIALIZER®</b> - Three dimensional surround sound with two speakers.
<b>SPEAKERS</b>	<input type="checkbox"/> <b>ON</b> - PTV speakers operate normally. <input type="checkbox"/> <b>OFF &amp; VAO (Variable Audio Output)</b> - PTV speakers off - audio adjustable by PTV. <input type="checkbox"/> <b>OFF &amp; FAO (Fixed Audio Output)</b> - PTV speakers off — audio adjustable only by the external amplifier. <input type="checkbox"/> <b>DOLBY CENTER MODE &amp; FIXED AUDIO OUT</b> - PTV speakers provide center speakers for Dolby sound transmission available on video or laser disc. (See Installation section in manual.)
	<b>TIMER</b>
<b>CLOCK SET</b>	<input type="checkbox"/> Set the time and the day of the week. (Time will display onscreen after turning on the television, pressing the <b>RECALL</b> button or changing channels).
<b>SLEEP</b>	<input type="checkbox"/> Set timer to turn off PTV in 30, 60 or 90 minutes. Select <b>NO</b> to turn timer off.
<b>TIMER 1</b> <b>TIMER 2</b>	<input type="checkbox"/> Set one or both timers to automatically turn television on and off at selected times, on selected channels, and on selected days. (Clock must be set to use Timer features).
	<b>PICTURE</b>
<b>VIDEO ADJ.</b> (Adjustments)	<input type="checkbox"/> <b>COLOR</b> - Adjust desired color intensity. <input type="checkbox"/> <b>TINT</b> - Adjust natural flesh tones. <input type="checkbox"/> <b>BRIGHTNESS</b> - Adjust dark areas for crisp detail. <input type="checkbox"/> <b>PICTURE</b> - Adjust white areas of picture. <input type="checkbox"/> <b>SHARPNESS</b> - Adjust clarity of outline detail. <input type="checkbox"/> <b>NORMAL</b> - Reset all picture adjustments to factory default settings.

**Roller Guide Feature Chart (Cont.)**

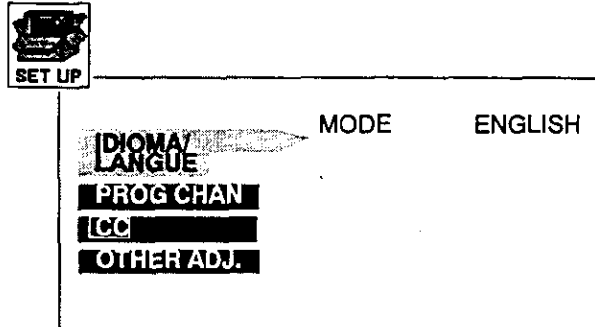
<b>MENU</b>	<b>DESCRIPTION</b>
<p><b>OTHER ADJ.</b> (Adjustments)</p>	<ul style="list-style-type: none"> <li><input type="checkbox"/> COLOR TEMP - Adjust white balance to COOL (blue), WARM (red) or NORMAL.</li> <li><input type="checkbox"/> AUTO COLOR - Equalize color to compensate for signal variations.</li> <li><input type="checkbox"/> AI PICTURE - Maintain high contrast in the whole picture.</li> <li><input type="checkbox"/> 3D Y/C FILTER - Minimize noise and cross color in the picture.</li> </ul>
	<p><b>CHANNELS</b></p>
<p><b>FAVORITES</b></p>	<ul style="list-style-type: none"> <li><input type="checkbox"/> CHANNEL SCAN - Select FAV (16 favorites) or ALL channels to scan channels using the up/down CH buttons.</li> </ul>
<p><b>CAPTION</b></p>	<ul style="list-style-type: none"> <li><input type="checkbox"/> PRESET CAPTION - Enter channel numbers for preset captions.</li> <li><input type="checkbox"/> MANUAL CAPTION - Enter channel numbers and captions manually.</li> <li><input type="checkbox"/> INPUT LABEL - Label video connections for onscreen display of optional equipment.</li> </ul>
	<p><b>LOCK</b></p>
<p><b>MODE</b></p>	<ul style="list-style-type: none"> <li><input type="checkbox"/> Lock All, Channels or Game with a secret code.</li> </ul>
<p><b>HOW LONG?</b></p>	<ul style="list-style-type: none"> <li><input type="checkbox"/> Select the period of time (12, 24, 48 hours or ALWAYS) for your option to be locked.</li> </ul>



**SET UP**

**Menu Languages**

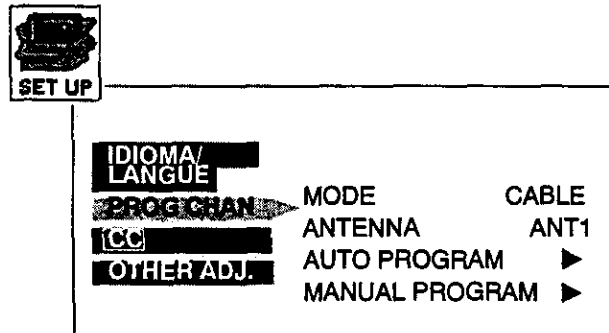
In SET UP Menu, select IDIOMA / LANGUE to change menu language to ENGLISH, ESPAÑOL (Spanish), or FRANÇAIS (French).



**Prog Chan (Program Channels)**

In SET UP menu under PROG CHAN select:

- MODE to select TV (antenna) or CABLE mode depending on the signal source.
- ANTENNA to select either ANT1 or ANT2.
- AUTO PROGRAM to automatically program all channels with a signal.
- MANUAL PROGRAM to manually add or delete channels.



**CC (Closed Captioning)**

This television contains a built-in decoder that displays **CC** (Closed Captioned) text across the screen (white or colored letters on black background). It allows the viewer to read the dialogue of a television program or other information. The program viewed must include Close Captioning for the feature to work.

**CC Mode**

- In SET UP Menu, select **CC** (Closed Caption).
- Select **CC** MODE.
- Select OFF, C1, C2, T1, T2, C3, C4, T3 or T4:
  - OFF - When Closed Caption is not desired.
  - C1 - For video related information to be displayed, up to 4 lines onscreen at a time. (It does not block relevant parts of the picture). Text may be in any language.
  - C2 to C4 - For other modes of video related information.
  - T1 - For program guide and other information to be displayed, when available. (Blocks a large portion of the picture on the television screen).
  - T2 to T4 - For other modes of information. (Blocks a large portion of the picture on the television screen).

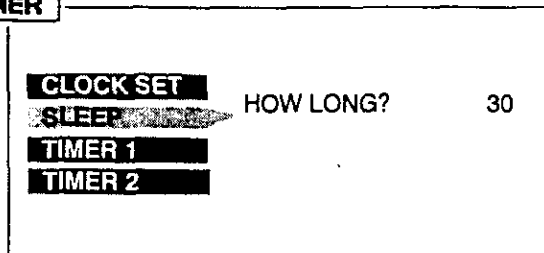




**TIMER**

**Sleep**

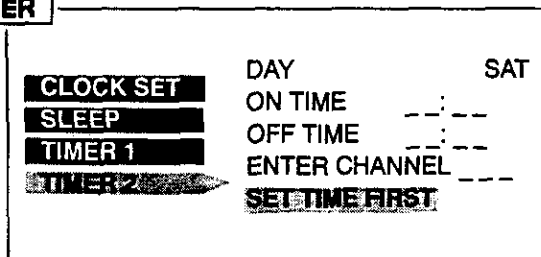
In TIMER menu, select SLEEP to turn PTV off in 30, 60 or 90 minutes. Select NO to turn off timer.



**Timer 1 and Timer 2**

In TIMER menu, select one or both timers to turn the television on and off at selected times, on selected channels, and on selected days.

*Note: TIME must be entered in CLOCK SET to operate TIMER features.*



**Turn Off After 90 Minutes**

The PTV automatically turns OFF after 90 minutes when turned on by the TIMER. If the OFF time is selected or if a key is pressed, the automatic OFF after 90 minutes will be cancelled.



**TIMER Activation**

The TIMER is active when the PTV is OFF or ON. The PTV will switch to the selected channel at the selected time set in the TIMER.

**PICTURE**

**Other Adjustments**

In Picture menu under OTHER ADJ. select:

- COLOR TEMP to increase and decrease WARM (red) and COOL (blue) colors to suit personal preferences
- AUTO COLOR ON to maintain consistent color and tint.
- AI PICTURE to optimize contrast in the picture.
- 3D Y/C FILTER to minimize noise and cross color in the picture.



<b>VIDEO ADJ.</b>	COLOR TEMP	NORMAL
<b>OTHER ADJ.</b>	AUTO COLOR	ON
	AI PICTURE	ON
	3D Y/C FILTER	ON

**AUDIO**

**Dolby Center Mode & Fixed Audio Out**

In AUDIO menu under SPEAKERS, select DOLBY CENTER MODE & FIXED AUDIO OUT to operate PTV speakers as center speakers for Dolby sound transmission. (See Installation section in the manual.)



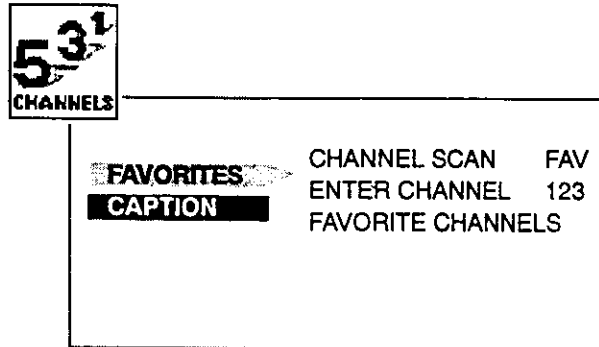
<b>AUDIO ADJ.</b>	
<b>OTHER ADJ.</b>	
<b>SURROUND</b>	
<b>SPEAKERS</b>	DOLBY CENTER MODE & FIXED AUDIO OUT

## CHANNELS

**Favorites**

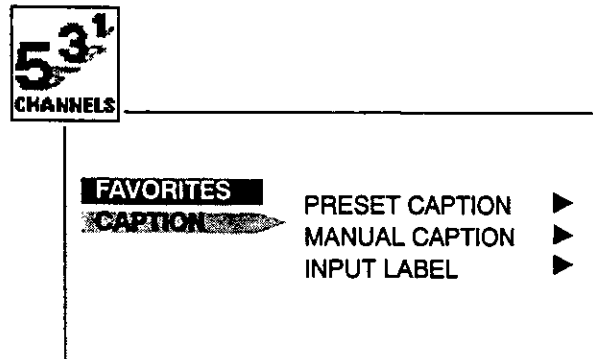
In CHANNELS menu under FAVORITES select:

- CHANNEL SCAN FAV to enter up to 15 favorite channels.
- CHANNEL SCAN ALL to scan all channels when using the CH up/down buttons.

**Caption**

In CHANNELS menu under CAPTION select:

- PRESET CAPTION to enter channel numbers for popular PTV stations.
- MANUAL CAPTION to enter numbers and captions manually.
- INPUT LABEL to label video input connections for onscreen display.



**LOCK**

**MODE**

To use LOCK options:

- ENTER CODE FIRST - Use the numeric keypad to enter a four-digit secret code. After entering your secret code for the first time, the onscreen display will change to CHANGE CODE.

*Note:* Use a code that is easy to remember or record it in a safe place.

In MODE submenu select:

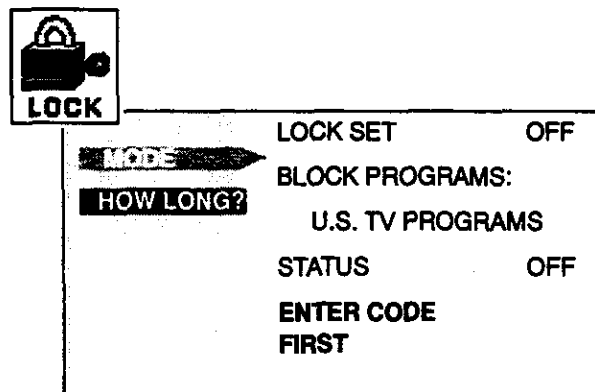
- LOCK SET to choose:
  - OFF - To turn lock function off.
  - ALL - To lock all channels and video inputs.
  - CHANNEL - To lock up to four channels of your choice.
  - GAME - To lock channels 3, 4 and video inputs.
- BLOCK PROGRAMS<sup>\*</sup> - To use Block Programs Ratings.
- CHANGE CODE - Use numeric keypad to change your four-digit secret code.

*Note:* If in CHANGE CODE you enter a different code from the one used previously, the new code becomes the controlling code.

- <sup>\*</sup> Press the ACTION button to return to submenu, then select HOW LONG to choose the period of time you want your option to be locked (12, 24, 48 hours or ALWAYS).

*Note:* Be cautious when selecting ALWAYS. If ALWAYS is selected, and you forget your secret code, the television must be serviced by a qualified technician in order to clear the LOCK setup.

Press the ACTION button to return to submenu, and to exit menus.



*Note:* If GAME, CHANNEL or ALL is selected, and if a blocked channel or video input is selected, the message PG (Parent Guard) displays in the upper right corner of the television screen

Unlock LOCK SET by reentering the same four-digit secret code and selecting OFF.

**\*For more information about Block Programs, see the V-CHIP Parental Lock manual provided with the PTV package.**