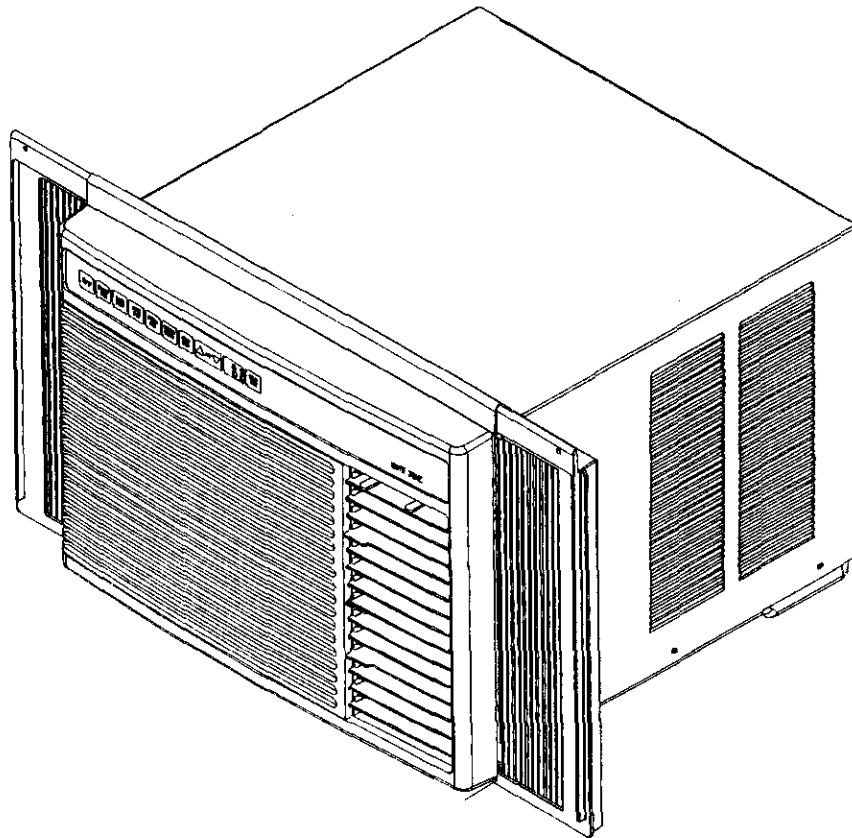


Owner's Manual



Room Air Conditioner

Model Numbers 78079, 70089, 70129, 78189



CAUTION

Read and follow all safety rules and operating instructions before using this product.

- Safety
- Installation
- Operation
- Maintenance
- Troubleshooting

Contents

Warranty	2	Normal Cooling Mode	21
Safety Instructions	3	Smart Set Mode	21
Recognize Safety Symbols, Words, and Labels	3	Power Saver Plus Mode	21
Important Safety Information	3	Fan Only Mode (No Cooling)	21
Model Identification	4	Delay Start Operation	22
Parts and Feature Identification	4	Adjusting Airflow Direction	22
Sizing Instructions	5	Energy Saving Tips	22
Installation	6	Normal Operating Sounds	23
Installing Room Air Conditioners	6	Care and Maintenance	23
Electrical Requirements	6	Maintenance Schedule	23
Window Installation Instructions—7000 and 9000 Btu Unit (Model 78079, 70089)	7	Maintenance Procedures	24
Window Installation Instructions—12000, and 18000 Btu Units (Models 70129, 78189)	12	Cleaning Air Discharge Louvers, Return Air Grille, and Electronic Control	24
Through-the-Wall Installation—12000, and 18,000 Btu Units (Models 70129, and 78189)	17	Evaporator Coil, Condenser Coil, and Base Pan Maintenance	25
Controls	20	Outer Case Maintenance	25
Operating Instructions	21	Troubleshooting	26
Before Turning Air Conditioner On	21	Accessories	27
		Ordering Replacement Parts	27
		Assistance and Service	27
		Service	27

Warranty

Full One Year Warranty on Air Conditioner

For one year from the date of purchase, when this Kenmore Room Air Conditioner is operated and maintained according to the instructions furnished with it, Sears will repair air conditioner free of charge if it is defective in material or workmanship.

Full Five Year Warranty on Sealed Refrigeration System

For five years from the date of purchase, when this Kenmore Room Air Conditioner is operated and maintained according to the instructions furnished with it, Sears will repair the air conditioner sealed system (consisting of compressor motor, connecting tubing, evaporator coil tubing, and condenser coil tubing) free of charge, if defective in material or workmanship.

Warranty Service

Warranty service is available by contacting the nearest Sears Service Center in the United States.

Warranty coverage applies only to air conditioners used for non-commercial, private household purposes.

This warranty applies only while this product is in use in the United States.

This warranty gives you specific legal rights, and you may also have other rights, which vary from state to state.

Sears, Roebuck and Co., Dept. 817WA, Hoffman Estates, IL 60179

Before continuing, please complete the information below. Model number and serial number information can be found on identification plate located behind air filter. Should air conditioner ever require service, the following information will speed the process.

Model Number: 596. _____

Serial or S/N Number: _____

Date of purchase: _____

Store location: _____

Keep this manual and your sales receipt together for future reference or if warranty service is required.

To prevent unnecessary service calls, review troubleshooting tips in this manual before calling for service.

Safety Instructions

Recognize Safety Symbols, Words, and Labels

The following symbols and labels are used throughout this manual to indicate immediate or potential safety hazards. Owner's responsibility is to read and comply with all safety information and instructions accompanying these symbols. Failure to heed safety information increases risk of personal injury, property damage, and/or product damage.



DANGER

DANGER—Immediate hazards which **WILL** result in severe personal injury or death.



WARNING

WARNING—Hazards or unsafe practices which **COULD** result in severe personal injury or death.



CAUTION

CAUTION—Hazards or unsafe practices which **COULD** result in minor or moderate personal injury, product damage, or property damage.

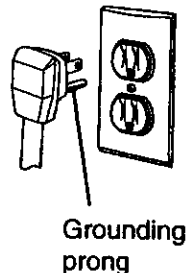
Important Safety Information



WARNING

To avoid risk of personal injury or death due to electrical shock:

- Air conditioners covered in this manual are equipped with a three-prong grounding plug for protection against possible shock hazards. **DO NOT**, under any circumstances, alter grounding plug on air conditioner.
- If two-prong (non-grounding) wall receptacle is encountered, have qualified electrician replace it with properly grounded wall receptacle meeting National Electrical Code and all applicable local codes and ordinances.
- Air conditioner must be grounded at all times.
- Do not remove warning tag from power cord.
- Do not use a two-prong adapter with this air conditioner.
- Do not use an extension cord with this air conditioner.



CAUTION

To avoid risk of personal injury, property damage, or product damage due to weight of air conditioner and sharp edges that may be exposed:

- Air conditioners covered in this manual pose excessive weight hazard. Two or more people are needed to move and install air conditioner. To prevent injury or strain, use proper lifting and carrying techniques when moving air conditioner.
- Carefully inspect location where air conditioner will be installed. Be sure it will support the weight of air conditioner for extended period of time.
- Handle air conditioner with care. Wear protective gloves whenever lifting or carrying air conditioner. **AVOID** sharp metal fins on evaporator and condenser coils.

Model Identification

Every Kenmore Room Air Conditioner has an identification plate showing model number, part number, serial number, and power requirements of unit. Identification plate is located behind air filter, attached to the lower left hand side of base pan.

Parts and Feature Identification

Figures 1 and 2 show location of air conditioner parts and features described in this manual.

Figure 1. Air Conditioner External Parts Identification

1. Outer case
2. Air discharge vent airflow direction control lever
3. Vent door control lever
4. Side air louvers
5. Curtain assembly
6. Air discharge vent
7. Front grille
8. Air return vent
9. Electronic control panel

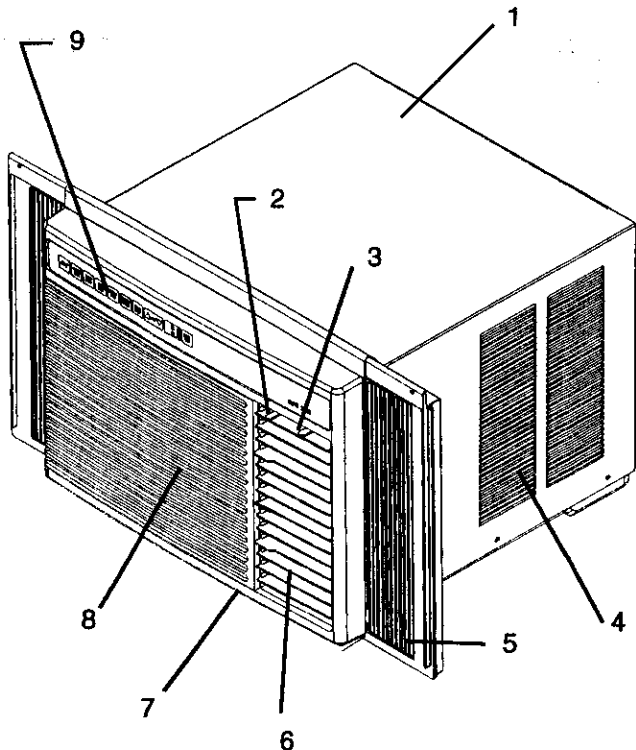
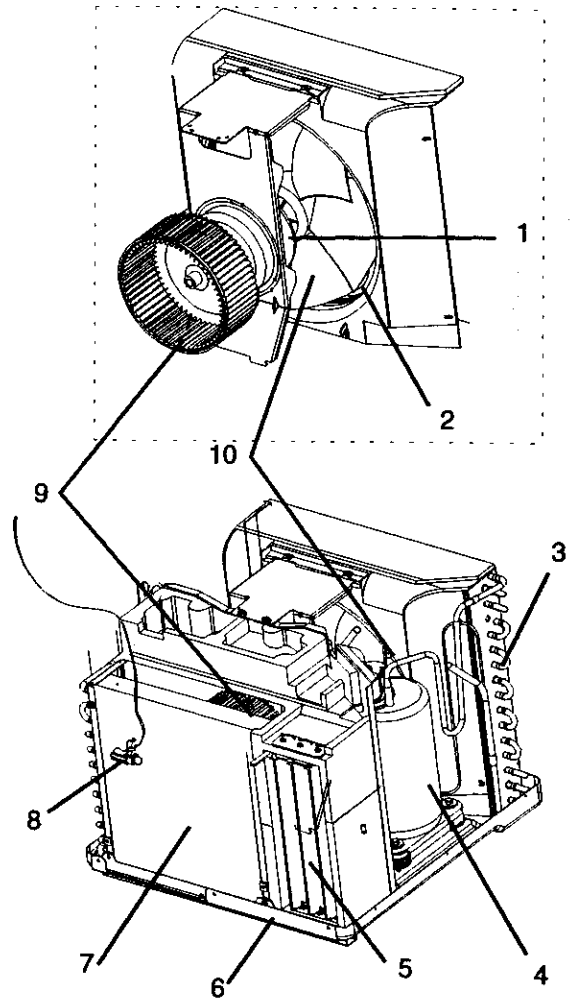


Figure 2. Air Conditioner Internal Parts Identification

1. Fan motor
2. Slinger ring
3. Condenser coil and fins
4. Compressor
5. Vertical air discharge vent louvers
6. Identification plate
7. Evaporator coil and fins
8. Thermostat
9. Blower fan
10. Condenser fan



NOTE: In Figure 2, fan assembly (including blower fan, condenser fan, fan motor, and slinger ring) is shown removed for easier component identification.

Sizing Instructions

Many complaints about room air conditioners result from units that are over-sized or under-sized for a given area. Over-sized units cool an area before humidity can be adequately removed, so air feels cold and clammy. Under-sized units do not sufficiently cool an area.




The following table contains guidelines for properly sizing a room air conditioner for a given area.

To size unit:

1. Determine size (in square feet) of area to be cooled; locate square footage in far left column of table below.

2. Choose right-hand column showing location of room in building:
 - Room below attic; insulated ceiling above.
 - Room with occupied room above.
 - Top floor under insulated roof.
3. Follow down right-hand column, reading horizontally from square footage to find approximate air conditioner capacity (in Btus per hour) required to adequately cool designated area.

NOTE: When determining size of unit, also consider conditions at bottom of table. For best results, choose air conditioner with cooling capacity (Btus per hour) closest to, but not exceeding, estimated size.

Size of Area to be Cooled (in square feet)	Required Air Conditioner Cooling Capacity—Btu/hour		
	Room below attic; insulated ceiling above 	Room with occupied room above 	Top floor under insulated roof (no attic) 
100	3500 to 4000	4000 to 4500	4500 to 5000
150	4000 to 5000	4500 to 5000	5500 to 6500
200	4500 to 5500	5000 to 6000	6000 to 7000
250	5000 to 6000	5500 to 6500	7500 to 8500
300	6000 to 7000	6500 to 7500	8500 to 9500
350	6500 to 7500	7000 to 8000	10000 to 11000
400	7000 to 8000	8000 to 9000	11000 to 12000
450	7500 to 8500	8500 to 9500	11500 to 12500
500	8000 to 9000	9500 to 10500	13000 to 14000
600	9500 to 10500	11000 to 12000	15000 to 16000
700	10500 to 11500	12000 to 13000	17000 to 18000
800	11500 to 13000	13500 to 14500	19000 to 20000
900	12500 to 14000	14500 to 16000	21000 to 22000
1000	13500 to 15000	15500 to 17000	23000 to 24500
1200	16000 to 17500	18000 to 20000	26500 to 28500
1400	18000 to 20000	21000 to 23000	30500 to 32500
1600	20000 to 22000	23000 to 25000	
1800	22000 to 24000	25500 to 27500	
2000	24000 to 26000	28000 to 30000	

Additional conditions:

- If normal occupancy of area is more than two people, add 600 Btu/hour per person. If normal occupancy is one person, subtract 600 Btu/hour.
- Add 1200 Btu/hour if area includes a kitchen.
- If room is heavily shaded, subtract 10 percent from total capacity. Increase by 10 percent if area is very sunny.

Installation

Installing Room Air Conditioners

Proper installation of a room air conditioner helps ensure trouble-free operation. Improper installation can result in problems ranging from excessive noise to property or equipment damage.

Installation requires some mechanical experience and aptitude. Depending upon installer's knowledge and skill, installation of a room air conditioner can take between 1 and 3 hours. Professional installation, performed by authorized Sears technicians, is available. Contact a local Sears store or call 1-800-4-MY-HOME to obtain an estimate and schedule an installation.

Before Beginning Any Installation

- Carefully read all installation instructions. Make sure each step or procedure is understood and any special considerations are taken into account.
- Before starting installation, assemble all tools, hardware, and supplies needed. Some items may need to be purchased locally.
- After deciding where to install unit, carefully examine location—both inside and outside. Note any potential obstacles or problems. Choose a more suitable location, if necessary.

Electrical Requirements

WARNING

To avoid risk of personal injury or death due to electrical shock:

- DO NOT remove warning tag from power cord.
- Electrical grounding is required on all air conditioners.
- Check with a qualified electrician if you are not sure intended electrical outlet is properly grounded.
- DO NOT ground to gas line.
- DO NOT ground to cold water pipe if pipe is interrupted by plastic, non-metallic gaskets, or other insulating (non-conducting) materials.
- DO NOT modify plug on power cord. If plug does not fit electrical outlet, have a matching outlet installed by a qualified electrician.
- DO NOT have a fuse in the neutral or ground circuit. A fuse in the neutral or ground circuit could result in an electrical shock.
- DO NOT use an extension cord with this device.
- DO NOT use an adapter plug with this device.
- Observe all local codes and ordinances.

Grounding Instructions






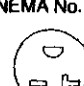
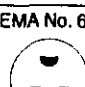

For safety, air conditioner must be grounded. All air conditioners have power supply cord with three-prong grounding plug. To minimize possible electrical shock hazard, power cord must only be plugged into matching grounding wall receptacle in accordance with National Electrical Code (and any applicable local codes and ordinances). If appropriate grounding-type wall receptacle is not available, have properly grounded wall receptacle installed by qualified electrician.

If codes permit and separate grounding wire is used, have qualified electrician determine if grounding path is adequate and uninterrupted by plastic, non-metallic gaskets, or other insulating (non-conductive) materials.

Electrical Connection

A separate (dedicated) circuit is required for units labeled "Use on Single Outlet Circuit Only." Devices covered in this manual require a 60Hz supply. Refer to unit nameplate for exact voltage requirements. Voltage requirements can also be determined by type of plug on air conditioner. See Table 1.

Table 1. Air Conditioner Power Requirements

Unit Plug Type	Receptacle Required	Circuit Rating, Breaker, Time Delay Fuse	Voltage Rating On Nameplate
NEMA No. 5-15P 	NEMA No. 5-15R 	125V-15AMP	115V
NEMA No. 6-15P 	NEMA No. 6-15R 	250V-15AMP	230/208V rated at 12 amperes or less
NEMA No. 6-20P 	NEMA No. 6-20R 	250V-20AMP	230/208V rated over 12 amperes, but not more than 16 amperes
NEMA No. 6-30P 	NEMA No. 6-30R 	250V-30AMP	208V rated over 16 amperes, but not more than 24 amperes

Do not use an extension cord. If air conditioner power supply cord does not reach intended wall receptacle, have qualified electrician install or move appropriate receptacle closer to unit.

Do not use an adapter plug. If intended wall receptacle does not match plug on air conditioner, have qualified electrician replace receptacle with correct type.

Installation


Receptacle Wiring

Receptacle wiring must be of adequate size for unit. Refer to unit identification plate for exact power requirements. Power requirements can also be determined by the type of plug on unit. See Table 1 on preceding page. Minimum size of wiring, based on power requirements, is:

Units up to 20 amps: 12 gauge
 20–30 amp units: 10 gauge

Use copper wire only. It is owner's responsibility to provide proper and adequate receptacle wiring that conforms to all applicable codes. All wiring should be installed by a qualified electrician.

Window Installation—7000 and 9000 Btu Units (Models 78079, 70089)

 **CAUTION**

To avoid risk of personal injury, property damage, or product damage due to weight of device and sharp edges that may be exposed:

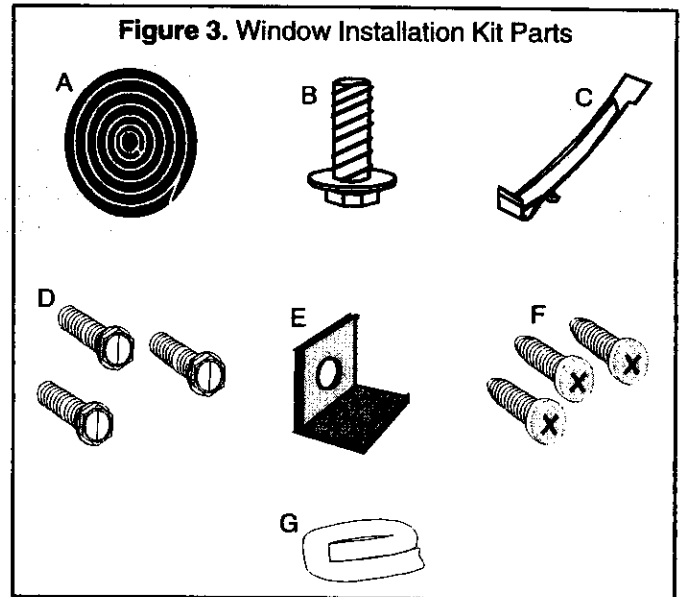
- Air conditioners covered in this manual pose an excessive weight hazard. Two or more people are needed to move and install unit. To prevent injury or strain, use proper lifting and carrying methods.
- Carefully inspect location where air conditioner will be installed. Be sure it will support weight of unit for extended period of time.
- Handle air conditioner with care. Wear protective gloves whenever lifting or carrying unit. AVOID sharp metal fins on front and rear coils.
- Make sure air conditioner does not fall during installation.

Installation Kit Parts

Window installation kit contains the following parts. Be sure all parts are included before starting installation. If parts are missing, contact Sears.

NOTE: Parts are listed in the order used and are illustrated in Figure 3.

Item #	Description	Quantity
A	Window sill gasket (½" x ¼")	40"
B	1¼" adjusting foot	1
C	Support bracket	1
D	7/8" hex-head screw	3
E	Sash bracket	1
F	5/8" Phillips screw	3
G	Window seal strip (¾" x 1½")	40"



Required Tools and Equipment

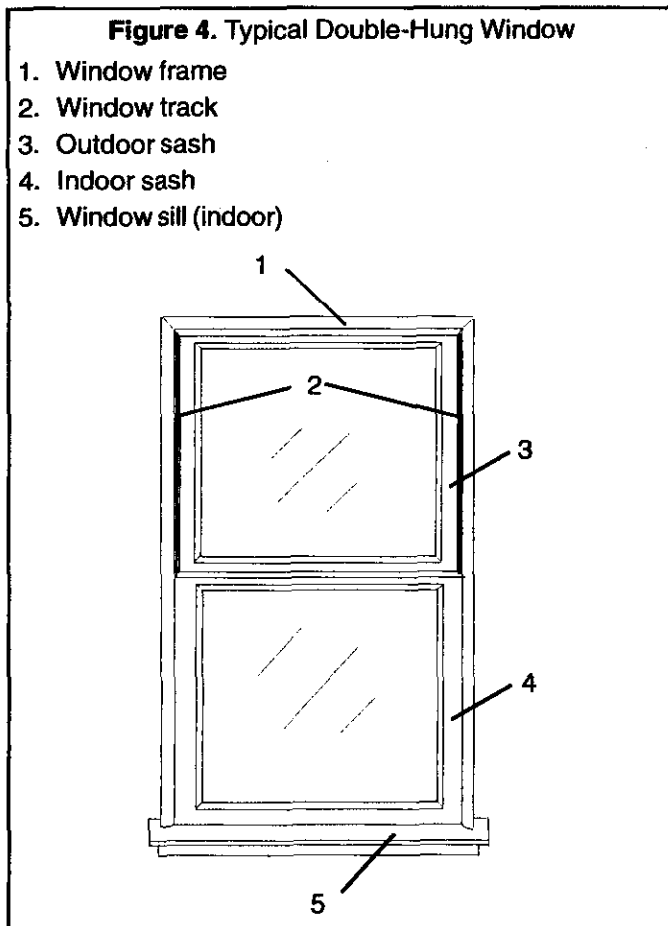
- Tight-fitting gloves
- Standard screwdriver
- Phillips screwdriver
- Pliers
- Sharp knife
- Carpenters' level
- 3/8" open-end wrench or adjustable wrench
- ¼" hex socket and ratchet
- Tape measure
- Electric drill
- 1/8" drill bit

Installation

Installation Requirements

See Figure 4. Inspect window track, sash, and sill. Ensure window will bear weight of air conditioner for extended period of time. Measure width of window opening to be sure air conditioner will fit. Air conditioner is designed for windows 22½" to 40" wide. Ensure lower left inside corner of window is within 6' of an appropriate electrical outlet.

NOTE: Installation kit is designed for most double-hung windows that do not have storm windows installed. If storm window is installed, or if installation is in a mobile home, window sill may need modification. See procedure for Storm Window Modification or for Mobile Home Window Modification.

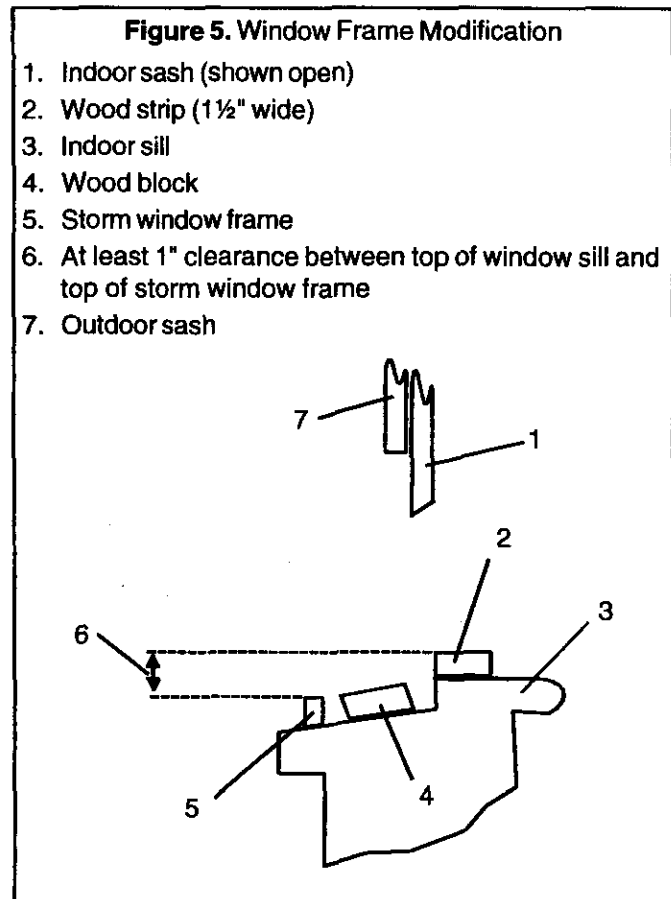


Storm Window Modification

See Figure 5. If storm window frame does not allow adequate clearance (1" required), remove frame or create clearance by adding wood strip at least 1½" wide and 1" thick along entire width of sill. Fasten wood strip to sill with three countersunk wood screws (not provided) to ensure smooth surface for mounting kit.

Next, center 6" x 4¼" wood block on outside of window sill between sides of window frame. Wood block must be same thickness as wood strip installed on indoor sill. Attach block to outside sill using 3 countersunk screws.

Mounting kit can now be installed.



Mobile Home Window Modification

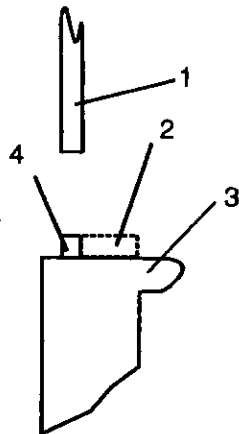
See Figure 6. Mobile home window modification requires adding wood strip at least 1½" wide along entire width of window sill. Thickness of wood strip should match height of front lip of window frame. Fasten wood strip to sill with 3 countersunk wood screws (not provided) to ensure smooth surface for mounting kit.

Mounting kit can now be installed.

Installation

Figure 6. Modifying Mobile Home Window

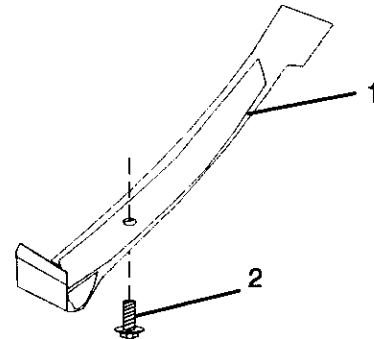
1. Indoor sash (shown open)
2. Wood strip (1½" wide)
3. Window sill
4. Window frame



2. See Figure 8. Thread adjusting foot (Item B) through bottom of support bracket (Item C). Measure width of window and mark center point of outside sill.

Figure 8. Support Bracket Assembly

1. Support bracket
2. Adjusting foot



3. See Figure 9. Center support bracket on outside sill, 1³⁄₁₆" from rear edge of indoor sill. Secure bracket to outdoor sill with 2 hex-head screws (Item D).

Installation Procedure

1. See Figure 7. Raise indoor sash and measure sash width, including portion in window track. Cut window sill gasket (Installation Kit Item A) to length of indoor sash and apply to rear of indoor window sill. To apply gasket, peel back about 2" of paper covering gasket adhesive, and carefully press exposed adhesive to one end of window sill. Slowly peel away remaining paper cover from gasket adhesive, and press gasket to sill as paper is pulled away.

If window has been modified for installed storm window, apply gasket to wood strip added to sill.

For mobile home installation, apply gasket to outdoor side of window frame bottom lip.

Figure 7. Applying Window Sill Gasket

1. Indoor sash
2. Indoor sill
3. Paper covering gasket adhesive
4. Gasket

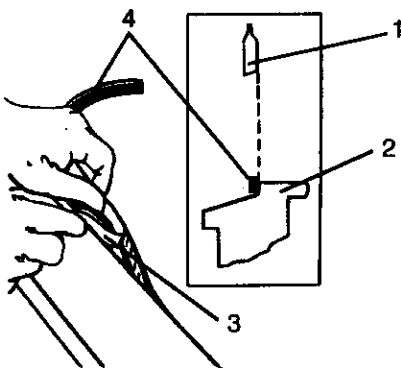
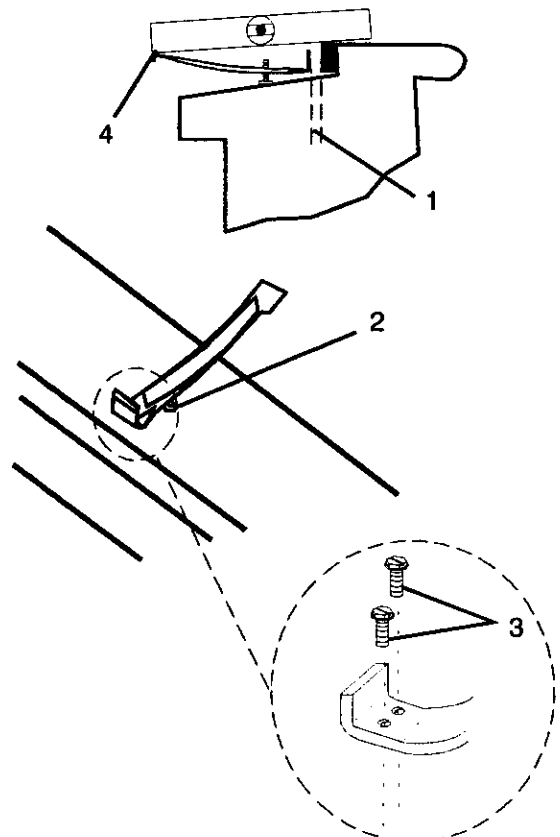


Figure 9. Installing Support Bracket

1. 1³⁄₁₆" gap
2. Center of window
3. Hex-head screws
4. Bubble level



Installation

- See Figure 9. Place bubble level between indoor sill and outdoor end of support bracket. Turn adjusting foot on support until level tilts $\frac{1}{4}$ bubble toward outdoor side.

NOTE: Adjusting support bracket for $\frac{1}{4}$ bubble outdoor slope should result in $\frac{1}{4}$ " backward slope on installed air conditioner, required for proper water (condensate) drainage.

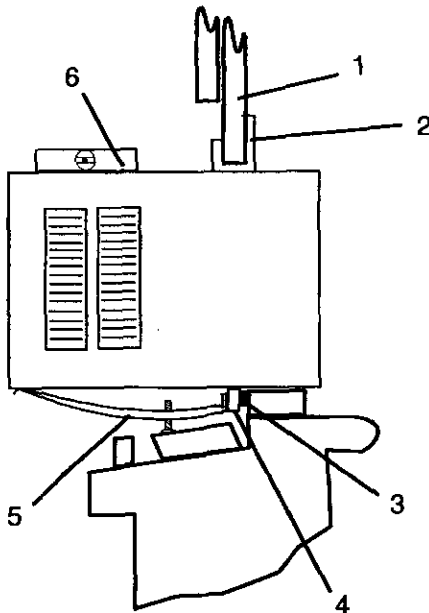
- See Figure 10. Place air conditioner in window, centered over support bracket, with bottom rail on case seated in gap between support bracket and rear of indoor sill. Lower indoor sash to fit into air conditioner top rail.

CAUTION

To avoid risk of personal injury, property damage, or damage to air conditioner if unit falls, hold air conditioner securely in place until indoor window sash is securely seated in top rail on outer case.

Figure 10. Placing Air Conditioner in Window

- Indoor sash
- Top rail
- Window sill gasket
- Bottom rail
- Support bracket
- Level



- Use carpenter's level and ensure installed air conditioner slopes approximately $\frac{1}{4}$ " toward outdoor side. If necessary, remove unit from window and turn adjusting foot to obtain proper slope.

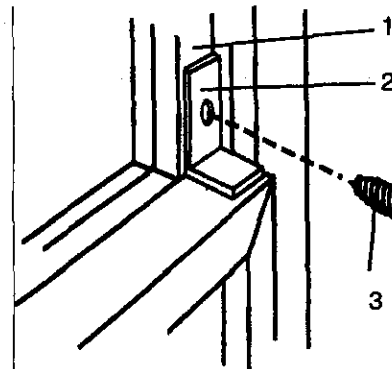
- See Figure 11. Position sash bracket (Item E) on top of indoor sash, flush with outdoor sash. Secure bracket to outside sash using $\frac{7}{8}$ " hex-head screw (Item D). Drill $\frac{1}{8}$ " pilot hole to make screw easier to install.

CAUTION

To prevent damage to window locking or lifting mechanisms from improperly placed sash bracket screw, inspect window carefully before drilling or installing screw in sash.

Figure 11. Installing Sash Bracket

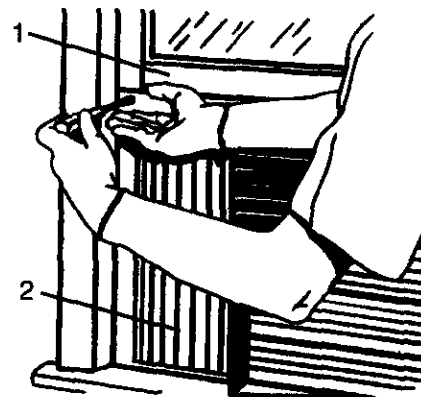
- Indoor sash
- Sash bracket
- Sash bracket screw



- See figure 12. Expand right side curtain on air conditioner until curtain is tight against window frame. With curtain tight against frame, find top hole and mark location on indoor sash. Drill $\frac{1}{8}$ " pilot hole into window sash, and secure curtain to sash using Phillips screw (Item F). Repeat for left side curtain.

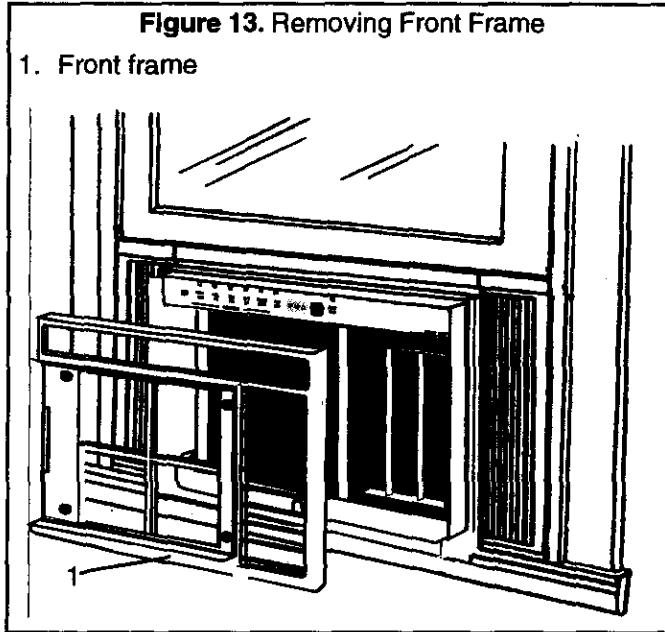
Figure 12. Securing Side Curtain

- Indoor sash
- Side curtain

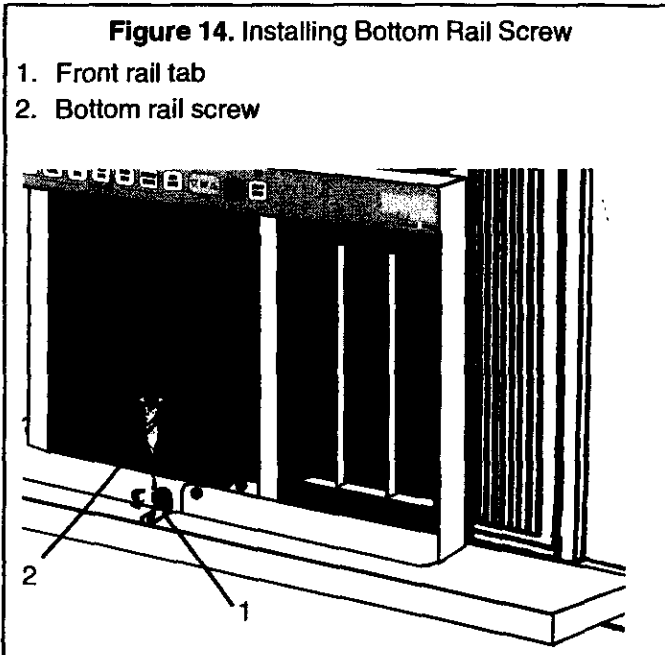


Installation

9. See Figure 13. Slide front grille to left; pull out to remove. Slide air filter to left; pull out to remove. Remove 4 screws securing front frame to chassis; pull out on front frame to remove.

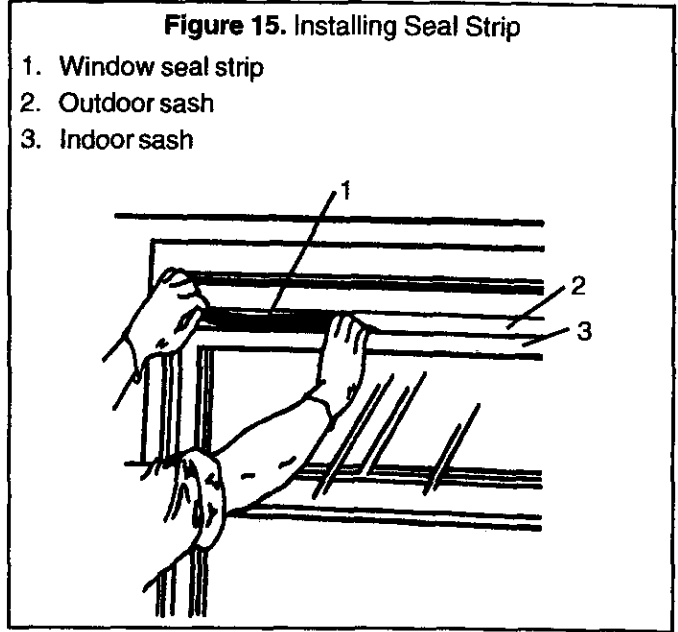


10. See Figure 14. On front rail, bend tab with hole down toward window sill. Secure tab to sill with $\frac{5}{8}$ " Phillips screw (Item F).



11. Replace front frame, filter, and grille.

12. See Figure 15. Measure and cut window seal strip (Item G) to width of window. Stuff window seal strip between outdoor glass and top of indoor sash for tight seal to keep out heat and insects.



13. To be sure air conditioner installation is correct, review all steps and ensure all parts are securely fastened, as outlined in instructions. If final inspection shows installation is solid and complete, air conditioner can be operated safely.
To begin operation, plug unit into electrical outlet.

Installation

Window Installation—12000, and 18000 Btu Units (Models 70129, 78189)

CAUTION

To avoid risk of personal injury, property damage, or product damage due to weight of device and sharp edges that may be exposed:

- Air conditioners covered in this manual pose an excessive weight hazard. Two or more people are needed to move and install unit. To prevent injury or strain, use proper lifting and carrying methods.
- Carefully inspect location where air conditioner will be installed. Be sure it will support weight of unit for extended period of time.
- Handle air conditioner with care. Wear protective gloves whenever lifting or carrying unit. AVOID sharp metal fins on front and rear coils.
- Make sure air conditioner does not fall during installation.

Required Tools and Equipment

- Tight-fitting gloves
- Standard screwdriver
- Phillips screwdriver
- Pliers
- Sharp knife
- Carpenters' level
- $\frac{3}{8}$ " open-end wrench or adjustable wrench
- $\frac{1}{4}$ " hex socket and ratchet
- Tape measure
- Electric drill
- $\frac{1}{8}$ " drill bit

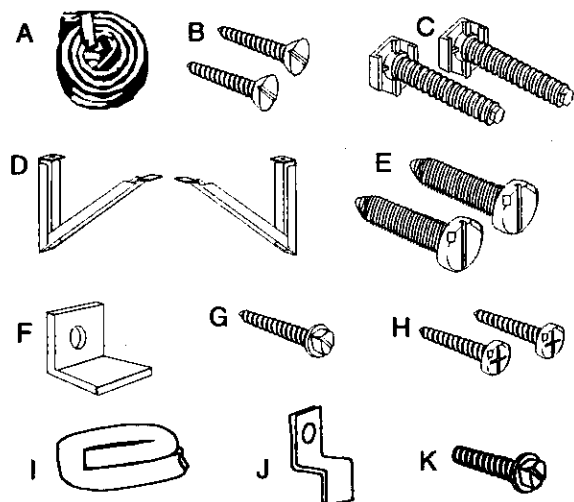
Installation Kit Parts

Window installation kits contain the following parts. Be sure all parts are included before starting installation. If parts are missing, contact Sears.

NOTE: Parts are listed in the order used and are illustrated in Figure 16.

Item #	Description	Quantity
A	Window sill gasket ($\frac{1}{2}$ " x $\frac{1}{4}$ ")	44"
B	$\frac{7}{8}$ " countersunk wood screw	2
C	4" adjusting foot	2
D	Outside support	2
E	$\frac{1}{2}$ " screw	2
F	Sash bracket	1
G	$\frac{7}{8}$ " sash bracket screw	1
H	$\frac{5}{8}$ " Phillips screw	2
I	Window seal strip ($\frac{3}{4}$ " x $1\frac{1}{2}$ ")	48"
J	Basepan Clip	1
K	$\frac{1}{4}$ " screw	1

Figure 16. Window Installation Kit Parts

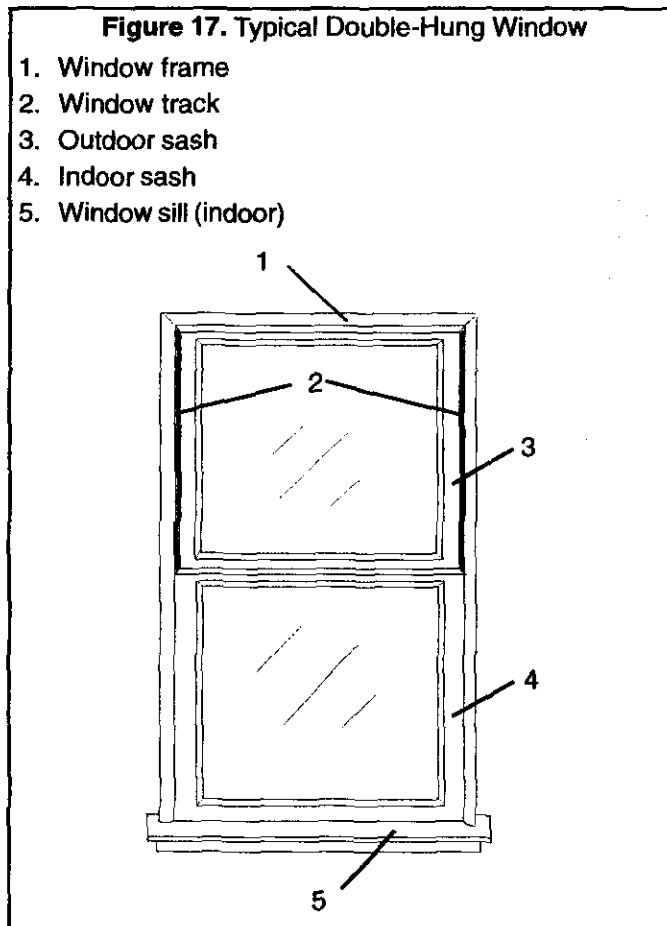


Installation

Installation Requirements

See Figure 17. Inspect window track, sash, and sill. Ensure window will bear weight of air conditioner for extended period of time. Measure width of window opening to be sure installation kit will fit. Air conditioner is designed for windows 28" to 42" wide. Ensure lower left inside corner of window is within 6' of appropriate electrical outlet.

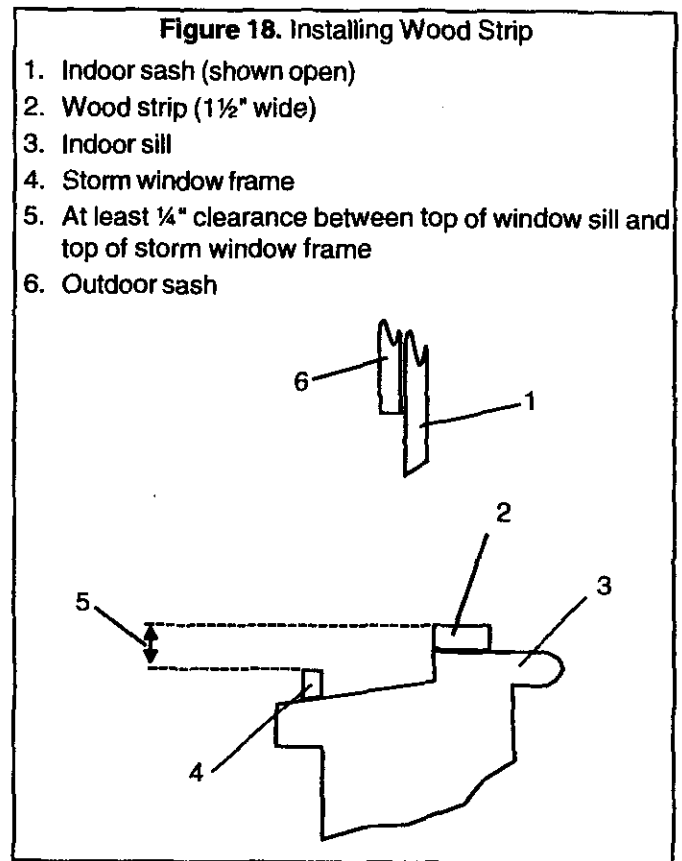
NOTE: Installation kit is designed for most double-hung windows that do not have storm windows installed. If storm window is installed or if installation is in mobile home, window sill may need modification. See procedure for Storm Window Modification or for Mobile Home Window Modification.



Storm Window Modification

See Figure 18. If storm window frame does not allow adequate clearance ($\frac{1}{4}$ " required) to window sill, remove frame or create clearance by adding wood strip at $1\frac{1}{2}$ " wide along entire width of sill. Fasten wood strip to sill with 3 countersunk wood screws (not provided). Use countersunk screws to ensure a smooth surface for mounting kit.

Mounting kit can now be installed.



Installation

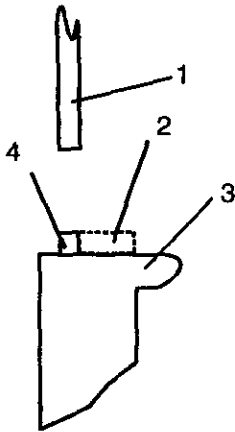
Mobile Home Window Modification

See Figure 19. Mobile home window modification requires adding wood strip at least 1½" wide along entire width of window sill. Thickness of wood strip should match height of front lip on window frame. Fasten wood strip to sill with 3 countersunk wood screws (not provided) to ensure a smooth surface for mounting kit.

Mounting kit can now be installed.

Figure 19. Modifying Mobile Home Window

1. Indoor sash (shown open)
2. Wood strip (1½" wide)
3. Window sill
4. Window frame



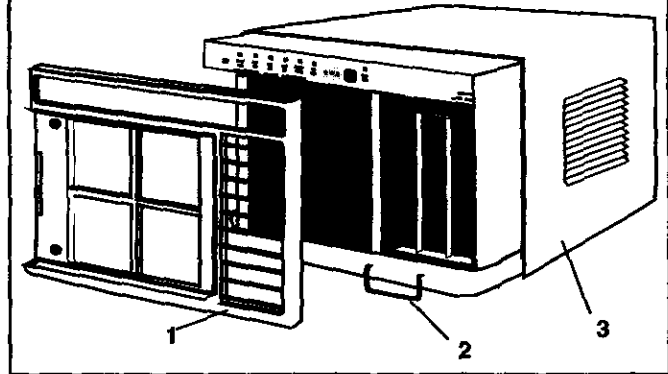
Installation Procedure

1. See Figure 20. Slide front grille to left; pull out to remove. Slide air filter to left; pull out to remove. Remove 4 screws securing front frame to chassis; pull out on front frame to remove. Using base pan handle, remove chassis from outer case. Set chassis aside.

NOTE: Pull chassis from case slowly and evenly. When chassis has been pulled out 9" to 12", have two people (one on either side of case) grasp base pan and pull chassis completely out of case.

Figure 20. Removing Chassis From Outer case

1. Front frame
2. Base pan handle
3. Chassis



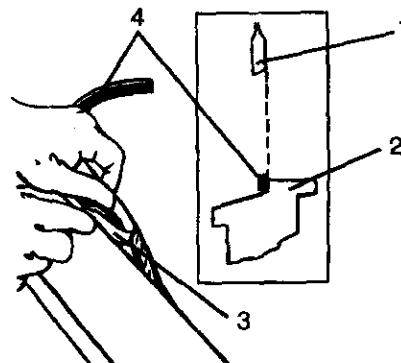
2. See Figure 21. Raise indoor sash and measure sash width, including portion in window track. Cut window sill gasket (Installation Kit Item A) to length of indoor sash and apply to rear of indoor window sill. To apply gasket, peel back about 2" of paper covering gasket adhesive, and carefully press exposed adhesive to one end of window sill. Slowly peel away remaining paper cover from gasket adhesive, and press gasket to sill as paper is pulled away.

If window has been modified for installed storm window, apply gasket to wood strip added to sill.

For mobile home installation, apply gasket to outdoor side of window frame bottom lip.

Figure 21. Applying Window Sill Gasket

1. Indoor sash
2. Indoor sill
3. Paper covering gasket adhesive
4. Gasket

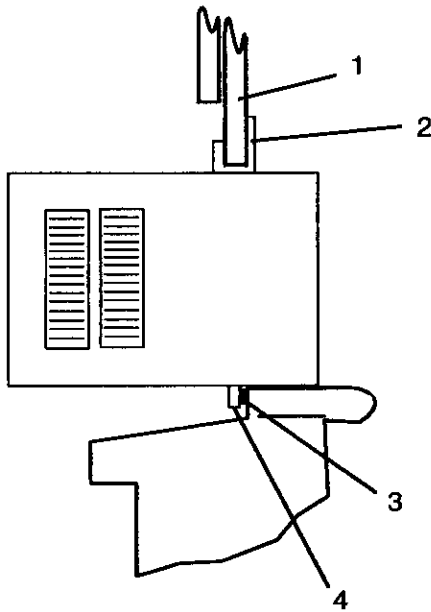


3. See Figure 22. Place outer case in window. Lower indoor sash to fit into top rail on case. Bottom rail on case must sit behind window sill and against window sill gasket.

Installation

Figure 22. Installing Outer Case in Window

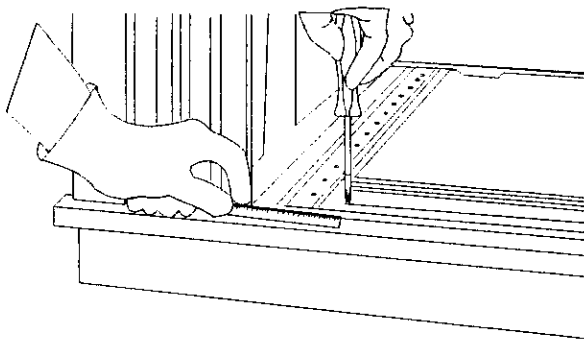
1. Indoor sash
2. Top rail
3. Window sill gasket
4. Bottom rail



4. See Figure 23. Secure case to window sill by screwing two 7/8" countersunk screws (Item B) into sill through holes located in front support rail.

NOTE: Drill 1/8" pilot holes in window sill to make screws easier to drive.

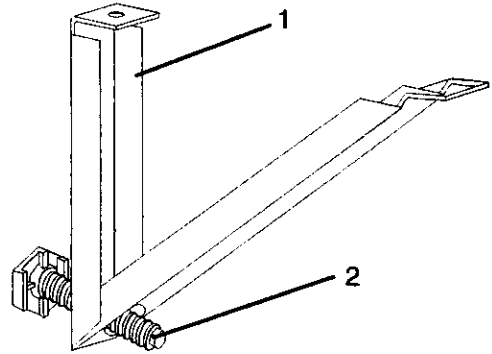
Figure 23. Securing Outer Case to Window Sill



5. See Figure 24. Screw one 4" adjusting foot into each outside support (Item D) as far as it will go. (Adjustments can be made more easily after unit is in place.) Do not attempt to straighten outside supports or structural integrity of support may be compromised.

Figure 24. Attaching Adjusting Foot to Outside Support

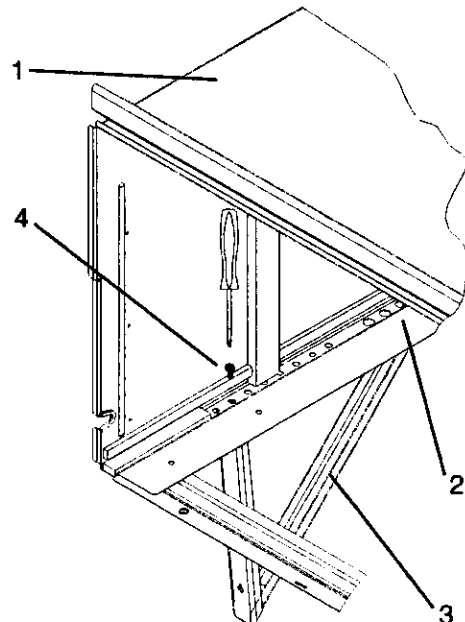
1. Outside support
2. Adjusting foot



6. Install outside supports underneath case using one 1/2" screw (Item E) for each support. Mount vertical arms (tab with hole) as close as possible to sill. When properly positioned, adjusting foot faces house.
7. See Figure 25. Insert tabs on angled support arms into nearest large holes along bottom of outer case, one side at a time. Align hole in vertical support arm tabs with small holes in bottom of case and drive 1/2" screws (Item E) into front tabs.

Figure 25. Attaching Outside Supports to Outer Case

1. Outer case
2. Insert back support arm tab in large hole
3. Support bracket
4. Attach front support arm with screw through small hole



Installation



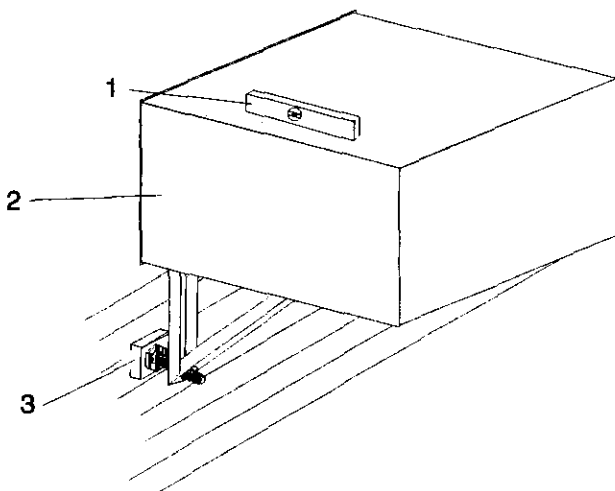
CAUTION

To avoid damage to outside wall of house, especially if wall is weak or outside supports sit between studs in wall, place wood blocks (not provided) between wall and each adjusting foot.

8. See Figure 26. Place carpenter's level on outer case. Rear of case should be $\frac{1}{4}$ " to $\frac{3}{8}$ " lower than front of case (about $\frac{1}{4}$ bubble on level). Turn each adjusting foot on outside supports in or out until it begins to contact wall. Adjust position to achieve proper slope for case.

Figure 26. Adjusting Outer Case Slope

1. Level
2. Outer case
3. Wood block



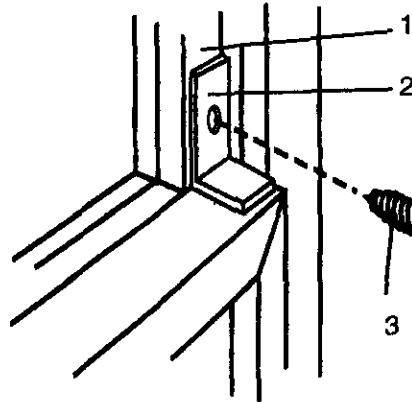
CAUTION

To prevent damage to window locking or lifting mechanisms from improperly placed sash bracket screw, inspect window carefully before drilling or installing screw in sash.

9. See Figure 27. Position sash bracket (Item F) on top of indoor sash, flush with outdoor sash. Secure bracket to outside sash using $\frac{7}{8}$ " sash bracket screw (Item G). Drill a $\frac{1}{8}$ " pilot hole so screw is easier to install.

Figure 27. Installing Sash Bracket

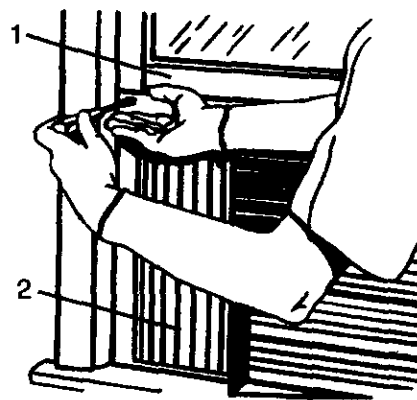
1. Indoor sash
2. Sash bracket
3. Sash bracket screw



10. See Figure 28. Expand right side curtain on air conditioner until curtain is tight against window frame. With curtain tight against frame, find top hole on curtain and mark location on indoor sash. Drill $\frac{1}{8}$ " pilot hole into window sash, and secure curtain to sash with Phillips screw (Item H). Repeat for left side curtain.

Figure 28. Securing Side Curtain

1. Indoor sash
2. Side curtain

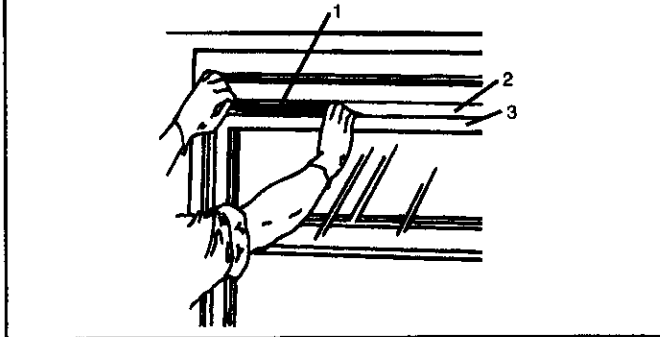


11. See Figure 29. Measure and cut window seal strip (Item I) to width of window. Stuff window seal strip between outdoor glass and top of indoor sash for tight seal to keep out heat and insects.

Installation

Figure 29. Installing Seal Strip

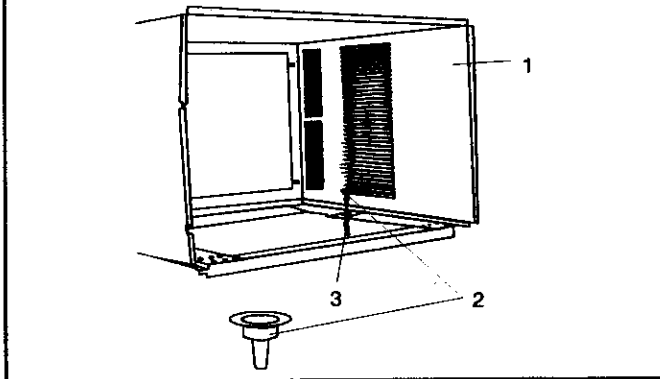
1. Seal strip
2. Outdoor sash
3. Indoor sash



12. See Figure 30. Under normal conditions, unit can evaporate water as fast as it is removed from indoor air. In very humid conditions, however, excess water may drip off chassis. To avoid dripping, install condensate drain cup (included with unit). Insert condensate drain cup through $\frac{5}{8}$ " hole recessed in flange on right side of outer case bottom. Then place $\frac{1}{2}$ " diameter hose or tube on bottom spout of drain cup.

Figure 30. Condensate Drain Cup Installation

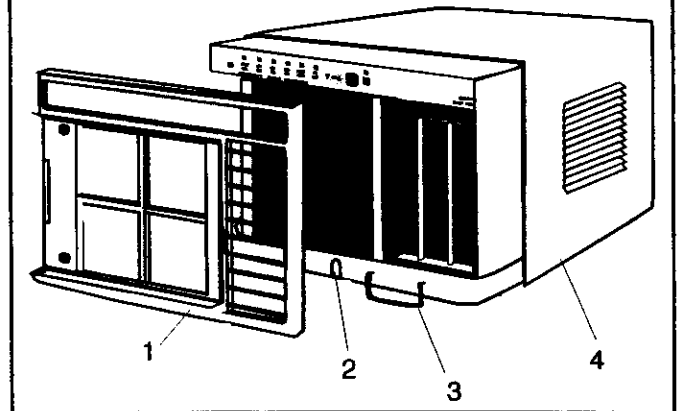
1. Outer case
2. Condensate drain cup
3. $\frac{1}{2}$ " diameter hose



13. See Figure 30A. With additional help, slide chassis into outer case. Attach base pan retaining clip to chassis with $\frac{1}{4}$ " screw. Reinstall front frame, air filter, and front grille. Because window sash helps keep unit in window, make sure sash contacts case before reinstalling chassis.
14. To be sure air conditioner installation is correct, review all steps and ensure all parts are securely fastened, as outlined in instructions. If final inspection shows installation is solid and complete, air conditioner can be operated safely.
To begin operation, plug unit into electrical outlet.

Figure 30A. Attaching Chassis To Outer Case

1. Front frame
2. Base pan clip
3. Base pan handle
4. Chassis



Through-the-Wall Installation—12000, and 18000 Btu Units

(Models 70129, and 78189)

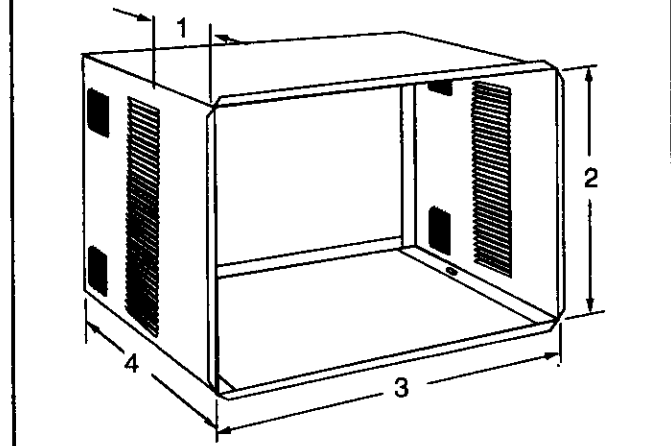
Kenmore Room Air Conditioners with slide-out chassis cases (models 70129, and 78189) are designed to be installed in a window or through a wall. Following are instructions are for wall installation.

NOTE: Kenmore Room Air Conditioner Models 78079 and 70089 (7000 and 9000 Btu) are designed for window installation only. See instructions beginning on page 7.

Typical Cabinet Dimensions

Figure 31. Slide-Out Chassis Outer Case Dimensions

	12000 Btu	18000 Btu
1.	9 inches	14½ inches
2.	16½ inches	19½ inches
3.	23¾ inches	25⅜ inches
4.	23⅞ inches	28½ inches



Installation

General Instructions

See Figure 32. Dimensions of finished opening (required) in wall are:

- 24¼" wide by 16¾" high (12000 Btu model).
- 19¾" high by 25⅞" wide (18000 Btu model)

Lower left inside corner of opening must be within 6' of appropriate electrical outlet.

For proper condensate drainage when installed, back of case should be ⅜" lower than front of case. Inside edge of case must extend ¾" beyond inside wall to properly seat air conditioner front cover. After installation, caulk completely around outside of unit to ensure proper seal. Depending upon wall construction and opening location, a lintel (not provided) may be required.



CAUTION

To reinstall chassis and reattach front cover, outer case must be square and level from side to side. Use wood shims between sides of case and finished opening—especially where case is secured to opening—to prevent warping or distorting case. Check installation with carpenters' square.

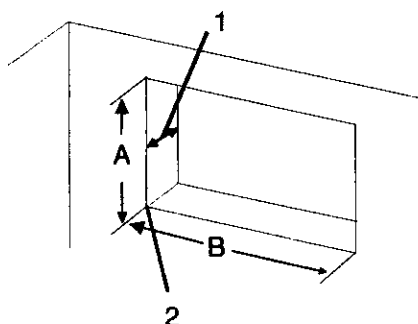
To improve appearance, framing inside opening with decorative molding (not provided) may be desired. If molding is used, mount case in opening so inside edge of case extends ¾" beyond molding.

When installing unit through thick walls (12000 Btu unit in walls thicker than 9"; 18000 Btu unit in walls thicker than 14½"), be sure air flows freely through side louvers on outer case. See *Installation in Walls Exceeding Outer Case Dimensions*.

Figure 32. Typical Wall Opening

12000 Btu	18000 Btu
A = 16¾ inches	19¾ inches
B = 24¼ inches	25⅞ inches

1. See *Installation in Walls Exceeding Outer Case Dimensions*.
2. Appropriate electrical outlet must be within 6' of this point.



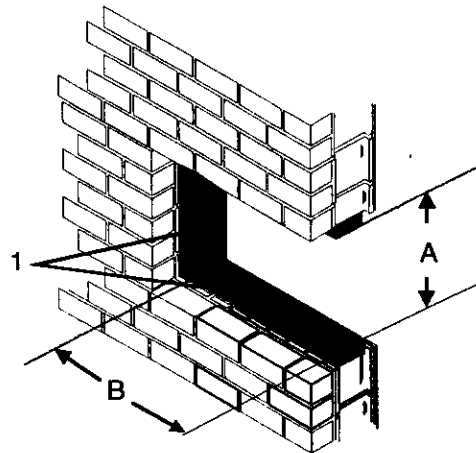
Brick Veneer or Frame Wall Construction

See Figure 33. A framed, finished opening of proper dimensions should be cut out or built into wall. Frame opening with 2" x 4" lumber.

Figure 33. Brick Veneer Wall Opening

1. 2" x 4" framing lumber

12000 Btu	18000 Btu
A = 16¾ inches	19¾ inches
B = 24¼ inches	25⅞ inches



To install outer case in opening:

1. See Step 1 under Window Installation—12000, and 18000 Btu Units to remove air conditioner chassis from outer case.
2. See Figure 34. Place outer case in wall opening. Adjust case so front extends into room ¾" and case has a ⅜" back slope (lay carpenters' level inside case and adjust case to ¼ bubble on level).

NOTE: If air conditioner will be framed by decorative molding, extend case into room ¾" beyond molding.

3. Pre-drill holes in each side of case at approximate locations shown in Figure 34. Use wood shims to fill gaps between case and finished opening, especially where case will be secured to wall. **DO NOT WARP** or distort case when installing shims.

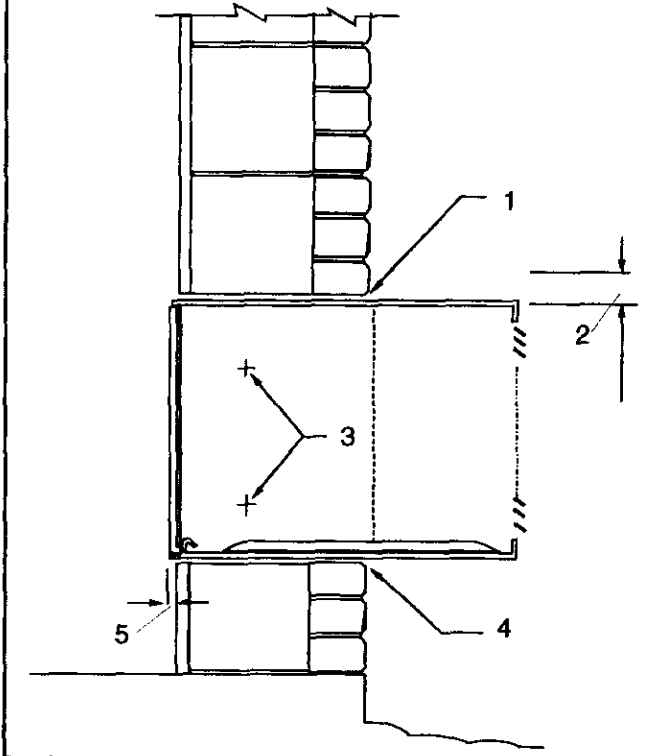
When properly positioned, secure case in opening with four #10 x 1" (25mm) wood screws (not provided).

4. Caulk all four sides of case to seal case in place.

Installation

Figure 34. Securing Outer Case in Wall Opening

1. Lintel and flashing (if required)
2. Provide $\frac{3}{8}$ " slope to outside for condensate drainage
3. Attach outer case to framing in two places on each side of case
4. Completely caulk or seal all four sides of outer case
5. Outer case extends into room $\frac{3}{4}$ "



Masonry Construction

See Figure 32 for dimensions of finished opening to cut out or build into masonry wall. Seal outer case in place with mortar or secure to wall with concrete nails driven through sides of case.

NOTE: If securing case with concrete nails, pre-drill holes in case before driving nails into wall.

Installation in Walls Exceeding Outer Case Dimensions

Air conditioner must be installed so air flows freely through side louvers to prevent overheating of compressor and fan motor. If dimensions of wall restrict airflow to louvers, wall opening must be modified by chamfering vertical portions of outside opening, as shown in Figures 35 and 36.

Figure 35. Chamfering Walls That Exceed Outer Case Dimensions (Top View)

1. Outer case extends into room $\frac{3}{4}$ "
2. Distance from front of outer case to side louvers

12000 Btu	18000 Btu
9 inches	14½ inches

3. Caulk around outer case to seal in place
4. Mortar
5. 4" clearance required for unrestricted air flow
6. Side louvers

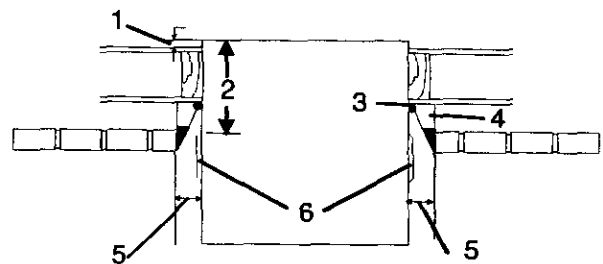
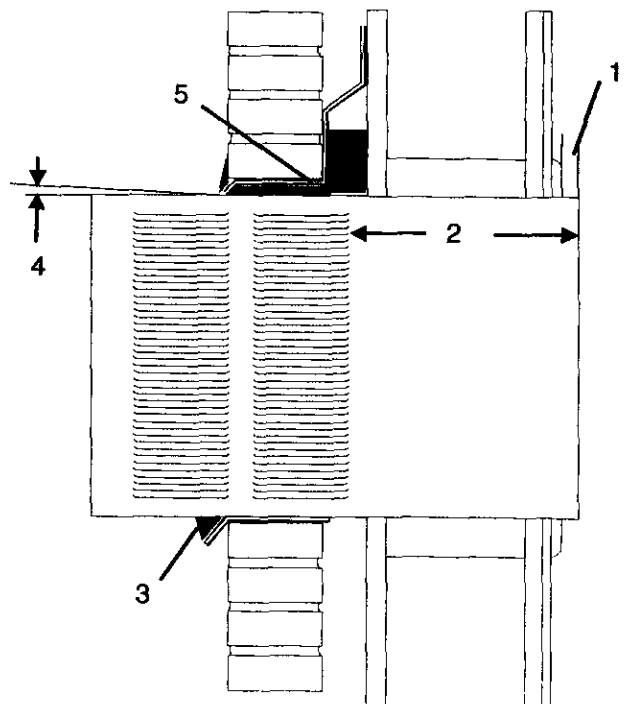


Figure 36. Chamfering Walls That Exceed Outer Case Dimensions (Side View)

1. Outer case extends into room $\frac{3}{4}$ "
2. Distance from front of outer case to side louvers

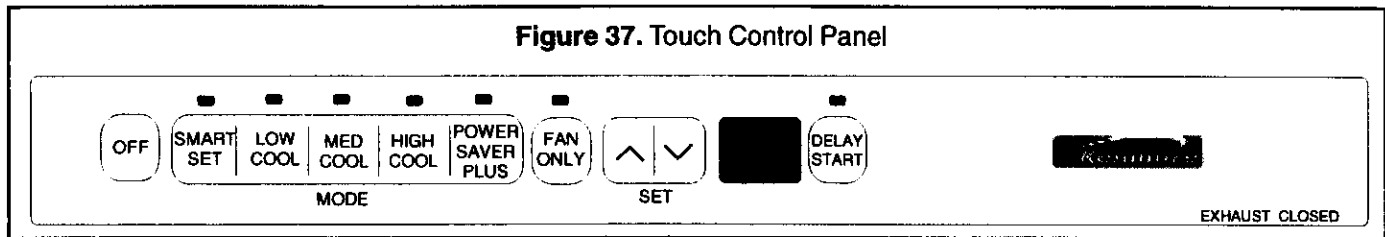
12000 Btu	18000 Btu
9 inches	14½ inches

3. Caulk around outer case to seal in place
4. Install outer case with $\frac{3}{8}$ " slope to outdoor side
5. Install lintel and/or flashing, if necessary



Controls

Figure 37. Touch Control Panel



See Figure 37. Kenmore room air conditioners have an electronic touch control panel located across top front of unit. Functions and operation of each control are explained below.

Touch Panel Controls

To operate touch controls, press control pad until indicator above pad lights (does not apply to OFF or $\nabla|\wedge$ pads).

OFF—Turns air conditioner off.

SMART SET—Places air conditioner in “smart” cooling mode. SMART SET uses computer logic to cool area quickly and quietly. When unit first turns on, fan starts at high speed. As room temperature nears set temperature, fan automatically switches to medium speed, then low speed. When room cools to set temperature, fan continues to run at low speed and compressor cycles on and off to maintain room temperature.

LOW COOL—Fan operates continuously at low speed, except in power saver mode. If unit is in a cooling mode, compressor cycles on and off as required to maintain set temperature. Select this setting for quietest operation.

MED COOL—Fan operates continuously at medium speed, except in power saver mode. If unit is in a cooling mode, compressor cycles on and off as required to maintain set temperature. Select this setting for reduced air circulation and quieter operation.

HIGH COOL—Fan operates continuously at high speed, except in power saver mode. If unit is in a cooling mode, compressor cycles on and off as required to maintain set temperature. Use this setting for maximum air circulation and faster cool-down during initial start up.

POWER SAVER PLUS—Places air conditioner in energy-saving mode. Energy-saving mode works in conjunction with SMART SET mode and low, medium, or high fan speeds. In energy-saving mode, air conditioner maintains room temperature within 1.5° F of programmed temperature setting. When POWER SAVER PLUS is selected, fan cycles on and off with compressor, instead of running continuously as in other modes. During compressor off cycle, fan automatically turns on for about 2 minutes at 5 minute intervals to sample room air temperature. If room temperature is within 1.5°F of programmed temperature, time between sampling increases to a maximum of 15 minutes.

If room temperature is more than 1.5°F above programmed setting, fan continues to run and compressor cycles on to cool room. When room cools to set temperature, compressor and fan turn off and time between air sampling cycles decreases to a minimum of 5 minutes.

FAN ONLY—Fan operates continuously at set speed (high, medium, or low) and compressor remains off. Use this setting to circulate air without cooling and, with VENT CONTROL in EXHAUST position, to vent room of stale air, odors, smoke, etc. Displays actual room temperature.

$\nabla|\wedge$ —Used to decrease (“down” arrow) or increase (“up” arrow) set temperature. When used with DELAY START function, arrow keys adjust delay start or stop time.

DELAY START—Allows programming a delay of up to 24 hours before air conditioner starts, or programming air conditioner to automatically stop after up to 24 hours of operation. Automatic start or stop is programmable from 1 hour (minimum) up to 24 hours (maximum), in one hour increments. See Operation Instructions for information on programming air conditioner for delay start or automatic stop.

Vent Control

Vent control lever, located on lower right corner of front panel, controls a damper that recirculates or exhausts room air.

With control in CLOSED position, damper is closed and air in area being cooled is recirculated through air conditioner, filtered, cooled, and returned to room. No air is exhausted (vented) outside.

NOTE: For maximum efficiency and cooling, vent control should remain closed any time air conditioner is cooling.

With control in EXHAUST position, damper is open. When open, room air is exhausted (vented) outside. Use exhaust position to remove stale or smoky air.

NOTE: To conserve energy, use FAN ONLY position with EXHAUST feature.

Brightness Adjust Feature (some models)

Display brightness can be changed using $\nabla|\wedge$ pad. To decrease brightness, simultaneously press and hold OFF pad with “down” arrow. To increase brightness, press and hold OFF pad with “up” arrow key.

Operating Instructions

Before Turning Air Conditioner On

To operate air conditioner efficiently and ensure it provides maximum comfort:

- Tightly close all doors and windows in area being cooled.
- Keep air flow to or from unit free of obstructions. Do not place plants, furniture, lamps, etc., in front of air conditioner return air vent or air discharge vent.
- Keep outdoor louvers free of obstructions. Keep fins on evaporator and condenser coils free of dirt and debris.
- Clean air filter regularly.

NOTE: Clean air filter at least once a week during continuous operation. More frequent cleaning may be required in extremely dusty environments. NEVER operate air conditioner with air filter removed.

- Plug power cord into appropriate receptacle only. See Electrical Requirements on pages 6 and 7.



WARNING

To avoid risk of personal injury or death due to electrical shock:


- DO NOT, under any circumstances, alter grounding plug.
- DO NOT REMOVE warning tag from power cord.
- Air conditioner must be grounded at all times. If two-prong (non-grounding) wall receptacle is encountered, have qualified electrician replace it with properly grounded wall receptacle meeting National Electrical Code and all applicable local codes and ordinances.

Normal Cooling Mode

Air conditioner is in "normal" cooling mode whenever LOW COOL, MED COOL, or HIGH COOL pads are pressed and no other pad is pressed at same time. To run air conditioner in normal cooling mode:

1. Press HIGH COOL pad on control panel. High fan speed will cool area to desired temperature quicker than slower speeds.

NOTE: Compressor lockout feature delays start of compressor for 3 minutes after unit is plugged in, or if restarted less than 3 minutes after last compressor cycle.

2. Press  pad to set temperature at desired level of cooling.


When area cools to desired temperature, fan speed can be reduced for quieter operation. Compressor will periodically cycle on and off to maintain room temperature at selected level.

Smart Set Mode

To operate air conditioner in Smart Set mode:

1. Press SMART SET pad on control panel. Fan begins operating at high speed and automatically switches to medium, then low, speed as room air nears desired temperature.

NOTE: Compressor lockout feature delays start of compressor for 3 minutes after unit is plugged in, or if restarted less than 3 minutes after last compressor cycle.

2. Press  pad to set temperature at desired level of cooling.


After room reaches set temperature, fan continues to run at low speed and compressor cycles on and off to maintain room temperature.

Power Saver Plus Mode

To operate air conditioner in Power Saver Plus mode:

1. Start air conditioner in desired cooling mode ("normal" or SMART SET).

NOTE: Compressor lockout feature delays start of compressor for 3 minutes after unit is plugged in, or if restarted less than 3 minutes after last compressor cycle.

2. Press  pad to set temperature at desired level of cooling.
3. Press POWER SAVER PLUS pad on control panel.

After room reaches set temperature, fan cycles on and off with compressor. See POWER SAVER PLUS description on previous page.

Fan Only Mode (No Cooling)

Use Fan Only mode for venting area of stale or smoky air, removing odors, or simply circulating air without cooling. Displays actual room temperature. To operate air conditioner in Fan Only mode:

1. Open vent door by placing vent control in *EXHAUST* position. Opening vent door allows indoor air to be exhausted outside.
2. Select desired fan speed (low, medium, or high) by pressing appropriate pad on control panel (LOW COOL, MED COOL, or HIGH COOL).
3. Press FAN ONLY pad.

Operating Instructions

Delay Start Operation

To program delay start:

1. Turn unit off (press OFF pad).
2. Press DELAY START pad. Display flashes currently programmed temperature setting.
3. Program new temperature setting (if desired) using **V|A** pad.

NOTE: Current temperature setting is used if not changed within 5 seconds.

4. Select desired operating mode and fan speed.
5. Press DELAY START pad. Display flashes currently programmed delay time—1 through 24 (hours).
6. Program new delay time (if desired) using **V|A** pad.

NOTE: Current delay time is used if not changed within 5 seconds.

7. Press DELAY START pad to start timer. Display shows time remaining until unit automatically starts. At programmed time, unit automatically starts in programmed operating mode.

NOTE: Timer automatically starts after 5 seconds if DELAY START pad is not pressed.

To program automatic stop:

1. Start air conditioner in desired operating mode. If unit is already in desired mode, go to step 2.
2. Press DELAY START pad. Display flashes currently programmed time—1 through 24 (hours).
3. Program new time (if desired) using **V|A** pad.

NOTE: Current time is used if not changed within 5 seconds.

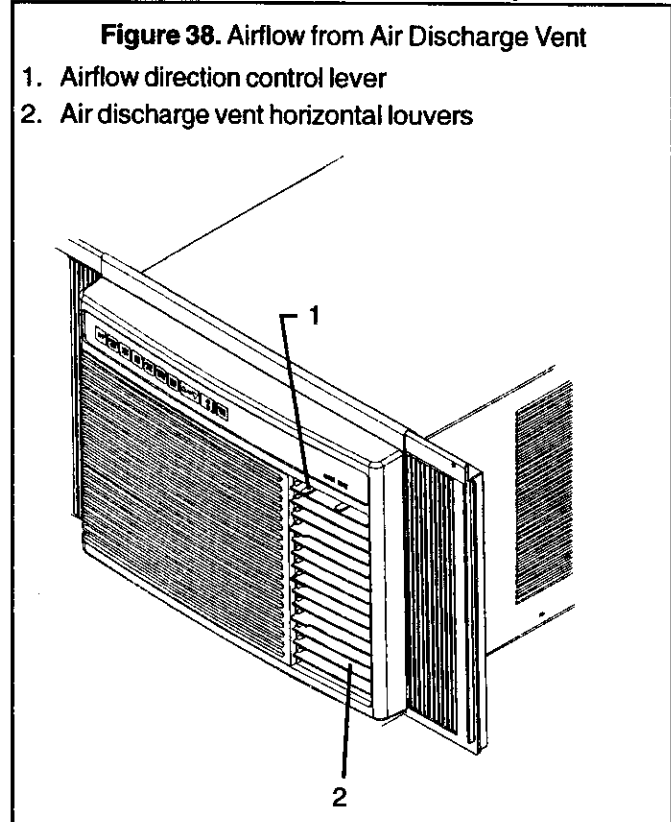
4. Press DELAY START pad to start timer. Display shows time remaining until unit stops. When programmed time elapses, unit automatically stops.

NOTE: Timer automatically starts after 5 seconds if DELAY START pad is not pressed.

To cancel delay stop program, press DELAY START pad after timer starts counting down, or turn unit off (press OFF pad).

Adjusting Airflow Direction

See Figure 38. Position of air discharge vent louvers determines direction of airflow from vent. Direction can be adjusted upward, downward, left, and right.



To adjust airflow upward or downward, move horizontal louvers on outside of air discharge vent up or down.

To adjust airflow left or right, move airflow direction control lever left or right.

Energy Saving Tips

In addition to operating air conditioner in energy-saving mode, savings of energy and money can be realized by:

- Increasing insulation in walls and ceilings.
- Closing all heating and ventilation diffusers or vents (including furnace cold air return vent) in area being cooled.
- Closing drapes or blinds on windows that receive direct sunlight. Install window coverings or awnings on windows not currently covered.
- Adequately ventilating attic. Heat build-up in attic adds to air conditioner cooling load.
- Avoiding use of heat-producing appliances during hottest parts of day.
- Turning off lights and appliances when not needed.
- For maximum efficiency and cooling, vent door should be closed whenever air conditioner is cooling.

Operating Instructions

Normal Operating Sounds

Certain sounds may be made when air conditioner runs, especially in a cooling mode. Sounds may include:

- Water splashing onto condenser; caused by slinger ring attached to condenser fan. Slinger ring picks up water (condensate) in base pan and sprays it on condenser to increase efficiency of unit.
- Compressor cycles frequently. High efficiency compressors used in new Kenmore Room AirConditioners run more frequently but for shorter periods and consume less energy than older, less efficient compressors.
- Airflow from air discharge vent. If sound is distracting, try adjusting louvers on discharge vent, moving objects that may be obstructing airflow, or reducing fan speed.

Care and Maintenance



WARNING

To avoid death or personal injury due to electrical shock, turn off fan control and unplug power cord before cleaning or performing maintenance on this device.

Maintenance Schedule (below) shows maintenance required to keep unit operating at peak efficiency. Most maintenance can be performed using common tools, equipment, and products. See Maintenance Procedures (beginning on page 24).

Large maintenance tasks, such as washing condenser and evaporator coils, should performed by an authorized Sears servicer (at owner's expense). Call 1-800-4-88-1222 for location of a local authorized Sears Service Center.

Maintenance Schedule

Kenmore Room Air Conditioners are designed and manufactured to provide years of dependable service when properly cared for and maintained.

Table 2. Maintenance Schedule

Maintenance Required	Procedure	Frequency
Inspect/clean air filter.	Remove air filter and inspect. Clean if required; replace. NOTE: Never operate air conditioner with filter removed.	Weekly
Inspect/clean air discharge louvers, return air grille, and electronic control.	Inspect air discharge louvers, return air grille, and electronic control for dust and dirt accumulation. Clean, if necessary. NOTE: Inspect more often in dusty environments.	Weekly
Inspect louvers on outer case for obstructions.	Inspect louvers on outer case and remove any obstructions.	Monthly
Inspect condenser coil.	Inspect condenser coil for dirt, bent fins, and other obstructions. Clean/repair, if necessary. NOTE: Inspect more often in dusty environments.	Annually
Inspect evaporator coil.	Inspect evaporator coil for dirt, bent fins, and other obstructions. Clean/repair, if necessary. NOTE: Inspect more often in dusty environments.	Annually
Inspect outer case for signs of damage.	Inspect interior and exterior of outer case for scratches, paint blisters, rust, and other damage. Repair as necessary. NOTE: Inspect more often in salty or other corrosive environments.	Annually
Inspect/clean base pan.	Inspect base pan for scratches, blisters, rust, dents, and other damage. Repair as necessary. Clean condensate drain passages of any accumulated material. NOTE: In areas of excessive humidity, use algicide (algae inhibitor) in base pan to help reduce algae build-up.	Annually

Care and Maintenance

Maintenance Procedures



WARNING

To avoid death or personal injury due to electrical shock, turn off fan control and unplug power cord before cleaning or performing maintenance on this device.

Air Filter Removal and Cleaning

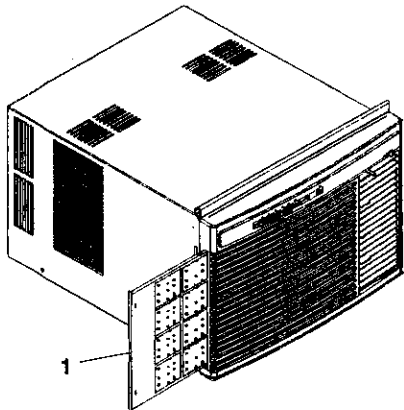
NOTE: Never operate air conditioner with filter removed.

Air filter can be removed in two ways:

- See Figure 39. Grasp filter handle and pull to the left. When filter clears return air grille, pull out and away from air conditioner.

Figure 39. Removing Air Filter, Method One

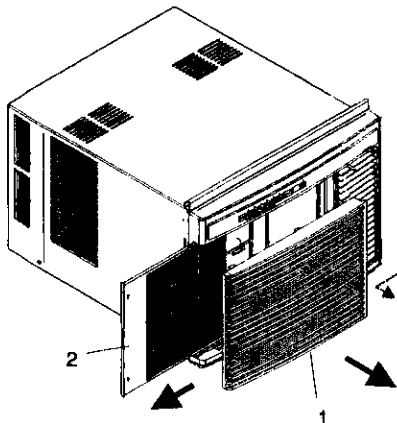
1. Air filter



- See Figure 40. Slide return air grille left until insert guides are free of guide rails, then pull insert out and away from front frame. Slide filter left until free of retaining clips.

Figure 40. Air Filter Removal, Method Two

1. Return air grille
2. Air filter



Clean air filter by vacuuming. If filter is especially dirty, clean with mild solution of warm soapy water. Rinse filter of all soap residue and dry completely before reinstalling.

Air Purification Filter

Optional, disposable air purification filter can be mounted behind permanent filter to reduce smoke, odor, pollen, and dust from area being cooled. After approximately 3 months of use, charcoal-impregnated air purification filter should be discarded. New air purification filters are available from Sears. Order part number:

- 20056001 (7000 and 9000 Btu air conditioners)
- 20064601 (12000 Btu air conditioners)
- 20075401 (18000 Btu air conditioners)

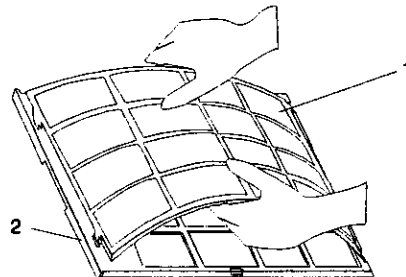
Optional Air Purification Filter Installation and Removal

1. Remove permanent air filter from air conditioner.
2. See Figure 41. Insert 3 tabs on right side of air purification filter into 3 matching slots on back of permanent air filter frame.
3. Carefully bow center of air purification filter and insert 2 tabs on left side into matching slots on permanent filter frame.
4. Relax bow. Air purification filter should rest against rear of permanent air filter.
5. Reinstall permanent air filter in air conditioner.

NOTE: Remove air purification filter by reversing installation procedure.

Figure 41. Air Purification Filter Installation and Removal

1. Air purification filter
2. Permanent air filter



Cleaning Air Discharge Louvers, Return Air Grille, and Electronic Control

Clean air discharge louvers, return air grille, and electronic control with sponge or cloth dampened with mild soap or detergent and water. After cleaning, wipe off soap residue with clean damp cloth and dry. Do not use cleaners with abrasives or polishing compounds; they may damage air conditioner surfaces.

Care and Maintenance

Evaporator Coil, Condenser Coil, and Base Pan Maintenance

NOTE: See Figures 1 and 2 on page 4 for location of air conditioner components described below.

Outer Case Removal

To inspect and clean base pan, condenser coil, and evaporator coil, air conditioner chassis must be removed from outer case. For slide-out chassis models (12000, and 18000 Btu units), remove front grille, air filter, and front frame. Slide chassis out of outer case. Refer to Window Installation instructions for detailed directions.

To remove outer case on 7000 and 9000 Btu models:

1. Remove unit from window.
2. Remove front grille by sliding grille left and pulling out. Remove air filter by sliding left and pulling out.
3. Remove six 5/16" screws securing expandable curtains to outer case. Three screws are located on each side of outer case. Slide curtain frames away from outer case until they disengage the top and bottom rails.
4. Remove 4 screws securing front frame to chassis. Pull front frame away.
5. Remove six 1/4" screws securing outer case to air conditioner base pan. Three screws are located on each side of case.
6. Remove 1/4" screw securing power supply cord to outer case.
7. Remove two 1/4" screws securing case to control assembly. One screw is located on each side of case.
8. Remove two 1/4" screws securing back of case to condenser assembly.
9. Lift outer case off chassis.

Inspecting and Cleaning Coils

Inspect evaporator and condenser coils. Check for bent fins and accumulations of dirt or other debris that may reduce or block air flow through coils. Reduced or blocked air flow affects air conditioner efficiency and can lead to premature compressor failure.

Attempt to straighten bent fins by "combing" fins with a fine tooth comb. Vacuum (or blow) dirt and debris from coils. Use brush to loosen difficult accumulations of dirt.

NOTE: Especially dirty coils may require professional cleaning. Contact a local Sears Service Center for professional cleaning.

Inspecting and Cleaning Base Pan

Inspect base pan. Check for dirt, debris, algae build-up in condensate drain channels, scratches, paint blisters, and rust spots.

- Vacuum or blow dirt and debris from base pan. Use brush to loosen difficult accumulations of dirt.
- If algae build-up is present, clean with sponge or cloth dampened with warm soapy water.

NOTE: Placing algicide in outdoor side of base pan may reduce or eliminate problem of algae build-up. For best results, thoroughly clean base pan of old algae before using algicide.

- Use wire brush to remove any rust and loose paint in base pan. Prime rust spots and bare metal with quality metal primer before repainting areas with quality enamel paint.

Outer Case Maintenance

Inspect outer case. Check for scratches, paint blisters, and rust on both inside and outside of case.

NOTE: Remove chassis from outer case to inspect case interior.

Repair scratches, rust, and paint blisters using quality enamel paint. Before painting, remove loose paint and rust with wire brush. Prime rust spots and bare metal with quality metal primer before repainting.

Troubleshooting

The following table describes some common problems that may be encountered with a room air conditioner. Each problem is accompanied by several possible causes and solutions.

Problem	Possible Cause	Solution
Unit will not turn on.	<ul style="list-style-type: none"> • Power cord unplugged. • Blown fuse or tripped breaker. • Electrical power low ("brown out"). • Electrical power outage. • Compressor in 3-minute lock-out. 	<ul style="list-style-type: none"> • Ensure power cord is firmly plugged into outlet. • Replace blown fuse; reset tripped breaker. • Low voltage protection prevents operation if supply voltage drops below 90 VAC for 115 volt units; 171 VAC for 230 volt units. Contact local electric utility if voltage is low. • Contact local electric utility. • Wait 3 minutes for compressor start.
Unit repeatedly blows fuse or trips breaker.	<ul style="list-style-type: none"> • Other devices sharing circuit results in circuit overload. • Incorrect fuse size or type. • Incorrect circuit breaker size. • Extension cord used to provide power. 	<ul style="list-style-type: none"> • Disconnect other devices or move devices to different circuit. NOTE: Air conditioners labeled "Use on Single Outlet Circuit Only" require separate, dedicated, circuit. • Ensure fuse is correct size. Unit requires time-delay fuses. • Ensure circuit breaker is correct size. • Do not use an extension cord with this air conditioner. If power cord on air conditioner does not reach outlet, have qualified electrician move outlet or install new outlet closer to unit.
Unit does not adequately cool room or area.	<ul style="list-style-type: none"> • Dirty air filter. • Optional charcoal air filter (if used) clogged. • Room or area not sealed. • Vent Control in EXHAUST position. • Airflow to or from unit blocked. • Unit improperly sized for room or area. 	<ul style="list-style-type: none"> • Remove and clean air filter. NOTE: Do not operate air conditioner with filter removed. • Replace charcoal filter (if desired). NOTE: Optional charcoal filter cannot be cleaned. Filter must be replaced after three months use. • Close all doors and windows in cooling area. Close all air vents and ducts in area. • Vent Control should be in CLOSED position whenever air conditioner is in cooling mode. • Remove any obstruction to airflow from air discharge vent or return air vent on unit. • Reduce cooling area (close doors or otherwise isolate area). NOTE: See Sizing Instructions for information on correctly sizing room air conditioners.

Troubleshooting

Problem	Possible Cause	Solution
Unit does not adequately cool room or area.	<ul style="list-style-type: none"> • Desired temperature set too high. • Excessive heat or moisture in area. • Dirty condenser or evaporator coils. 	<ul style="list-style-type: none"> • Reduce temperature setting to more comfortable level. • Close blinds or curtains on windows exposed to direct sunlight. Vent steam from open cooking containers, showers, etc., from cooling area. Avoid use of heat-producing appliances during hottest part of day. • Clean coils. See Maintenance Procedures.
Unit runs excessively long.	<ul style="list-style-type: none"> • Unit replaces older model. 	<ul style="list-style-type: none"> • New high-efficiency compressor runs more frequently, but uses less energy, than older, less efficient models.
Water (condensate) in base pan drips into room.	<ul style="list-style-type: none"> • Unit improperly installed. 	<ul style="list-style-type: none"> • Depending on model, unit must be installed with slope of $\frac{1}{4}$" to $\frac{3}{8}$" to outside. See Installation Instructions.
Unit noisy.	<ul style="list-style-type: none"> • Unit improperly installed, causing vibration when operating. • Water noise whenever fan runs. • Loose screws or parts. 	<ul style="list-style-type: none"> • Review installation procedures. Ensure all mounting hardware is tight and secure. • Normal, especially during periods of high humidity. • Remove chassis from outer case. Check for loose or missing screws. Tighten and replace as required.

Assistance and Service

Accessories

Charcoal Air Purification Filter—Used with permanent air filter, disposable charcoal air purification filter further reduces smoke, pollen, dust, pet dander, and odors in cooled area. Order part number 20056001 (7000 and 9000 Btu units), 20064601 (12000 Btu units), or 20075401 (18000 Btu units). Accessories for Kenmore Room Air Conditioners are available at local Sears stores or can be ordered by calling 1-800-366-PART (1-800-366-7278) any time between 7 am and 7 pm, 7 days a week.

Ordering Replacement Parts

Replacement parts are available at many local Sears stores or can be ordered by calling 1-800-366-PART (1-800-366-7278) any time between 7 am and 7 pm, 7 days a week.

Service

Authorized Sears service is available nationwide. Professional technicians, trained by Sears, ensure any required service is performed quickly and correctly, using only authorized replacement parts.

For additional protection, consider a Sears maintenance agreement. Like all Sears appliances, Kenmore Room Air Conditioners are designed and manufactured to provide years of dependable operation. Every unit is tested—during manufacturing and before shipping—to ensure it works properly. But, like all mechanical devices, some service may be required over the life of the unit. A Sears maintenance agreement, in conjunction with the Sears warranty, provides the best insurance available against unexpected repair bills. Call 1-800-827-6655 for information.

For in-home major brand repair service:
Call 24 hours a day, 7 days a week

1-800-4-MY-HOMESM (1-800-469-4663)

Para pedir servicio de reparación – 1-800-676-5811

Au Canada pour tout le service – 1-877-LE FOYERSM (1-877-533-6937)

For the repair or replacement parts you need:
Call 6 a.m. – 11 p.m. CST, 7 days a week

PartsDirectSM

1-800-366-PART (1-800-366-7278)

www.sears.com/partsdirect

Para ordenar piezas – 1-800-659-7084

For a Sears Service Center location in your area:
Call 24 hours a day, 7 days a week

1-800-488-1222

For a Sears Maintenance Agreement purchase or inquiry:
Call 7 a.m.–5 p.m. CST, Monday–Saturday

1-800-827-6655

