

Sears

**OWNER'S
MANUAL**

**MODEL NO.
328.395900**

CAUTION:
Read SAFETY
RULES and
INSTRUCTIONS
carefully



CRAFTSMAN[®]
3.75 HP 20" 7-Blade
Power Propelled Reel Mower

- *Assembly*
- *Operating*
- *Maintenance*
- *Service & Adjustments*
- *Repair Parts*
- *Safety Rules*

SEARS, ROEBUCK AND CO., Hoffman Estates, IL 60179 U.S.A

Safety Rules



CAUTION: ALWAYS DISCONNECT SPARK PLUG WIRE AND PLACE WIRE WHERE IT CANNOT CONTACT SPARK PLUG TO PREVENT ACCIDENTAL STARTING WHEN SETTING-UP, TRANSPORTING, ADJUSTING OR MAKING REPAIRS TO YOUR MOWER.



Always use care when operating the POWER REEL MOWER. Keep clear of moving parts. Do not work on POWER REEL MOWER with engine running. Avoid striking or running into solid objects or debris in the area to be worked. Read and observe the Operation Precautions. Keep the POWER REEL MOWER clean. Follow a regular maintenance and check schedule to provide efficient and safe operation. A well-cared-for POWER REEL MOWER will last longer and operate more efficiently. Always be careful for yourself and for others.

Preparation

1. Thoroughly inspect the area where the equipment is to be used and remove all stones, sticks, wire, bones and other foreign objects.
2. Do not operate equipment when barefoot or wearing open sandals. Always wear substantial footwear.
3. Check fuel before starting engine. Do not fill gasoline tank indoors, when engine is running, or while engine is still hot. Wipe off any spilled gasoline before starting engine.
4. Disengage drive clutch before starting engine.
5. Never attempt to make a wheel height adjustment while engine is running.
6. Mow only in day light or in good artificial light.
7. Never operate equipment in wet grass. Always be sure of your footing, keep a firm hold on the handle and walk, never run.

Operation

1. Do not change engine governor settings or overspeed engine.
2. Do not put hands or feet near or under rotating parts. Keep clear of discharge opening at all times.
3. Stop reel blade(s) when crossing gravel drive, walks or roads.
4. After striking a foreign object, stop the engine, remove wire from spark plug, thoroughly inspect the mower for any damage, and repair the damage before restarting and operating the mower.
5. If the equipment should start to vibrate abnormally, stop the engine and check immediately for the cause. Vibration is generally a warning of trouble.
6. Stop engine whenever you leave the equipment, before cleaning mower housing, and when making any repairs or inspections.
7. When cleaning, repairing or inspecting, make certain reel and all moving parts have stopped. Disconnect spark plug wire and keep wire away from plug to prevent accidental starting.
8. Do not run engine indoors.
9. Shut engine off and wait until reel comes to a complete stop before removing grass catcher and/or any other mower component.
10. Mow across the face of slopes, never up-and-down. Exercise extreme caution when changing direction on slopes. Do not mow excessively steep slopes.
11. Never operate mower without proper guards, plates or other safety protective devices in place.
12. DRAIN THE GASOLINE from your mower before transporting your mower inside your car or other vehicle.



LOOK FOR THIS SYMBOL TO POINT OUT IMPORTANT SAFETY PRECAUTIONS. IT MEANS - ATTENTION!!! BECOME ALERT!!! YOUR SAFETY IS INVOLVED.

CONGRATULATIONS on your purchase of a Sears Craftsman Lawn Mower. It has been designed, engineered and manufactured to give you the best possible dependability and performance.

Should you experience any problem you cannot easily remedy, please contact your nearest Sears Service Center/Department.

Please read and retain this manual. The instructions will enable you to assemble and maintain your mower properly. Always observe the "SAFETY RULES".

MODEL NUMBER _____
SERIAL NUMBER _____
DATE OF PURCHASE _____
THE MODEL AND SERIAL NUMBERS WILL BE FOUND ON A DECAL ATTACHED TO THE REAR OF THE MOWER HOUSING. YOU SHOULD RECORD BOTH SERIAL NUMBER AND DATE OF PURCHASE AND KEEP IN A SAFE PLACE FOR FUTURE REFERENCE.

MAINTENANCE AGREEMENT

A Sears Maintenance Agreement is available on this product. Contact your nearest Sears store for details.

CUSTOMER RESPONSIBILITIES

- Read and observe the safety rules.
- Follow a regular schedule in maintaining, caring for and using your mower.
- Follow the instructions under "Maintenance" and "Storage" sections of this Owner's Manual.

PRODUCT SPECIFICATIONS			
HORSE POWER:	3.75		
DISPLACEMENT:	9.02		
GASOLINE CAPACITY:	2 quart (Unleaded)		
Oil (1-1/4 Pt. Capacity):	SAE 30W	SAE 10W30	
SPARK PLUG (Gap .030 in.):	Champion	Short CJ-8	Long J-9C
VALVE CLEARANCE:	Intake: .005" - .007"	Exhaust: .007" - .009"	

Craftsman Warranty

Two year limited warranty on Craftsman lawn mowers:

For two years from the date of purchase, when this Craftsman lawn mower is maintained, lubricated and tuned-up according to the instructions in the owner's manual, Sears will repair, free of charge any defect in material and workmanship.

If this Craftsman lawn mower is used for commercial or rental purposes, this warranty applies for only 90 days from the date of purchase.

This warranty does not cover:

- Expendable items which become worn during normal use, such as rotary mower and/or edger blades, belts, blade guard, blade adapters, air cleaners, spark plugs, tire chains and shear pins.
- Repairs necessary because of operator abuse or negligence, including bent crankshafts and the failure to maintain the equipment according to the instructions contained in the owner's manual.

WARRANTY SERVICE IS AVAILABLE BY RETURNING THE CRAFTSMAN LAWN MOWER TO THE NEAREST SERVICE CENTER/DEPARTMENT IN THE UNITED STATES.

This warranty gives you specific legal rights, and you may also have other rights which vary from state to state.

SEARS, ROEBUCK AND CO., Hoffman Estates, IL. 60179

Assembly

TOOLS REQUIRED: 7/16" Wrench, Pliers, Screwdriver (11/16" Wrench needed to adjust Clutch Tension)

NOTE: Reference to left or right side of the mower is from operator's position at the handle, facing forward. The lawn mower is fully assembled except for the handle throttle control, drive control rod and clutch control rod. Everything is packed and shipped in one container.

ASSEMBLY:

1. CARTON REMOVAL

Cut the back panel, lay down pull mower backwards.

2. PARTS ID

3. TOOLS REQUIRED

7/16" Wrench, Pliers, Screwdriver (11/16" Wrench needed to adjust Clutch Tension)

STEP 1: Remove the grass catcher, handle assembly, and rods from the box (see Fig. 1, grass catcher not shown).

STEP 2: Attaching the handle: remove the bolts retaining the panel to the lower handle. You need six bolts to mount the handle. Two of the six bolts were those you just removed. The other four are supplied with loose hardware in the plastic bag. (see Fig. 2) Take the bottom section of the handle (Fig. 3) and install a bolt through the brace, the upper handle section, and the panel or bracket. Put a nut on each bolt and secure the panel or bracket on both sides of the handle.

NOTE: The three holes in the upper handle must be aligned with the three holes in the lower handle. The handle brace is put on the outside of the upper handle. Slip on the handle grips. Soaking in hot water may ease assembly.

DRIVE CONTROL ROD ASSEMBLY: (see Fig. 4 & 5)

1. Assemble drive control rod (one piece rod with both ends bent), by inserting one bent end in the drive control lever bearing and inserting the other end in the drive pivot rod.

2. Secure the control rod with cotter pins.

ENGINE CLUTCH CONTROL ROD ASSEMBLY: (see Fig. 6)

1. The clutch control rod consists of one long rod with one bent end, one coupler, two lock nuts and one short rod with one bent end.

2. Assemble the clutch control rod by inserting the short rod bent end in the clutch bearing. The end of the rod must be outside the belt (Fig. 6).

3. Insert the bent end of the long rod in the clutch lever bearing.

4. Insert a cotter pin in each bent end, but do not secure until final adjustment is made.

IMPORTANT! ENGINE CLUTCH ROD TENSION ADJUSTMENT: (Fig. 7)

1. Lift the engine clutch lever to the handle. If there is a slight tension on the belt, the adjustment should be correct. The tension should be just enough to propel the mower and reel without the belt slipping on the pulley.

EXCESSIVE TENSION WILL REDUCE BELT LIFE AND PERFORMANCE OF THE MOWER.

2. Check for correct belt tension"

! CAUTION !

A. Remove spark plug wire, engage the clutch by lifting the clutch lever to the handle and pull on the rope starter.

B. If the reel turns, the tension should be correct, however, be sure to check if the idler bearing is putting excessive tension on the belt.

C. If reel does not turn, more tension is needed. Final adjustment can be made after reel is operating.

3. ADJUSTMENT PROCEDURES:

A. Excessive Belt Tension: Remove the upper rod from the clutch lever handle and turn right (into the coupler) one turn at a time until the tension is correct.

B. Increased Belt Tension Needed: Remove the upper rod from the clutch lever handle and turn left (out of the coupler) one turn at a time until the tension is correct.

C. When the tension is correct, insert the upper rod into the clutch lever handle, secure the cotter pins at both ends of the control rod and tighten the lock nuts to the coupler. At this time, replace the spark plug wire.

D. Refer to the operation instructions before using mower.

IMPORTANT!
Without trapping belt be sure rod is on the outside of belt.

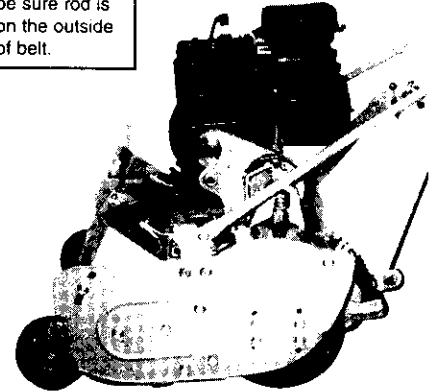


FIGURE 1: These parts, and the grass catcher, should have been removed from the shipping carton.

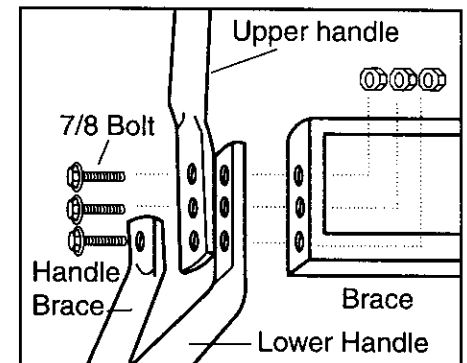


FIGURE 2



FIGURE 3: Reuse the two bolts on the panel, plus the other four bolts you received, to mount the handle.

Assembly

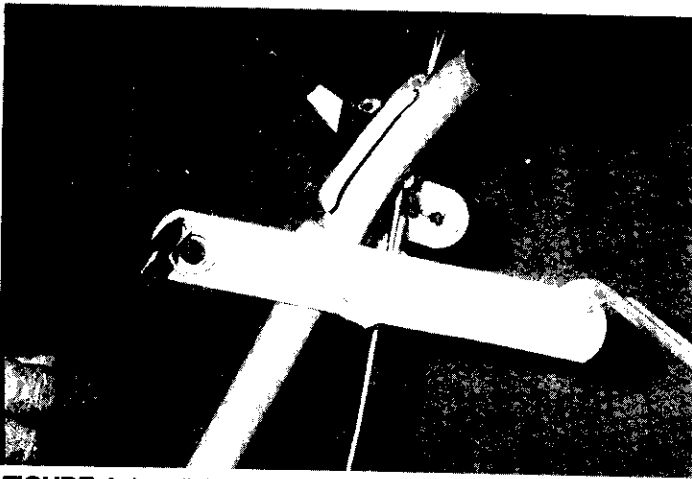


FIGURE 4: Install the Wheel Drive Control rod on top and insert cotter pin. Then, open its bottom to securely fasten it.

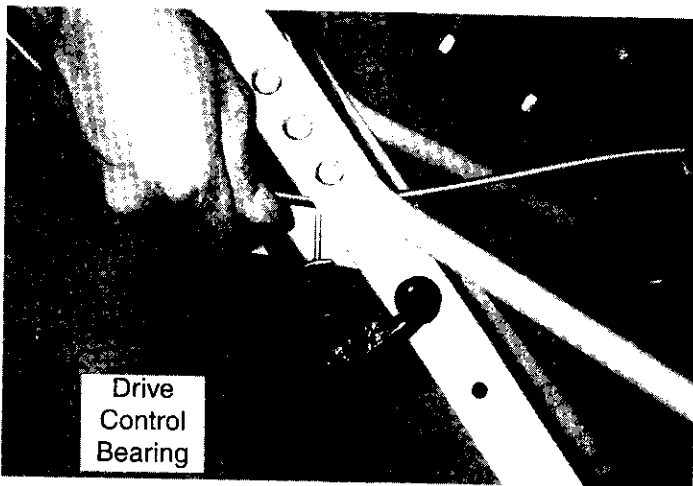


FIGURE 5: Insert the rod at the bottom of the Wheel Drive Lever and secure with a cotter pin.

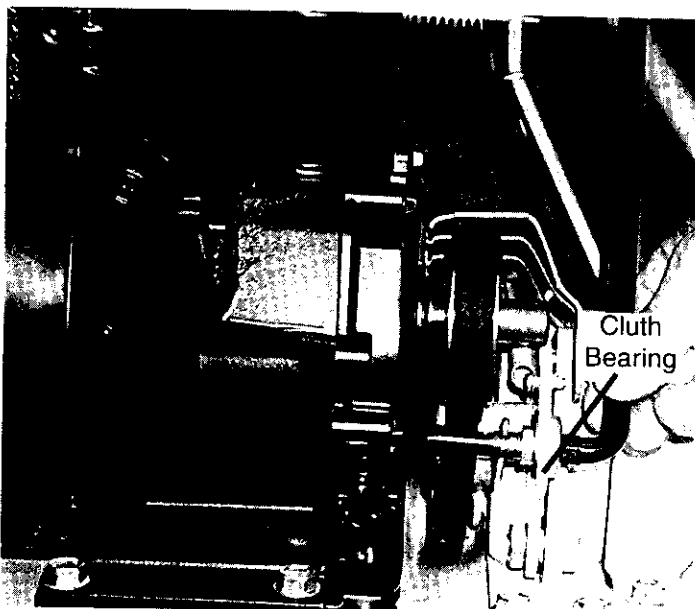


FIGURE 6: Put the bend end of the rod through the hole of the idler bracket. Secure later with a cotter pin.

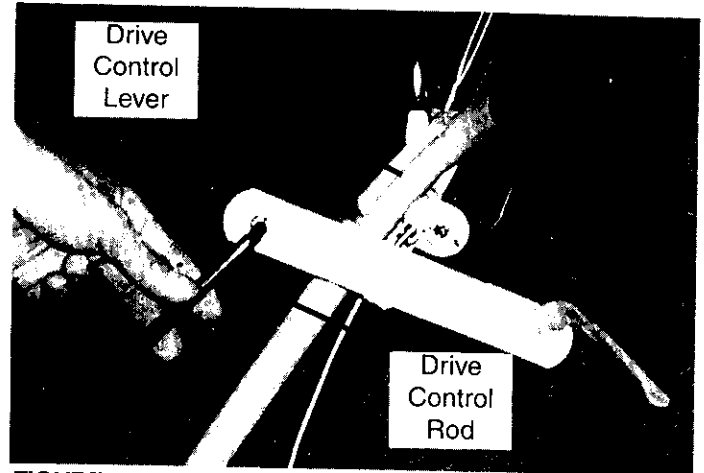


FIGURE 7: Put the bent end of the rod through the hole of the drive clutch lever.

INSTALLING THROTTLE CONTROL:

1. One end of the throttle control is factory installed to the carburetor. The other end needs to be installed in the upper handle.
2. Take hold of the control lever at the other end of the cable and route the throttle cable under and behind the panel located where the upper handle is bolted to the lower handle.
3. See Fig. 8: Hold the control lever at the end of the throttle cable and twist it slightly so the knob will pass through the slot in the upper handle.

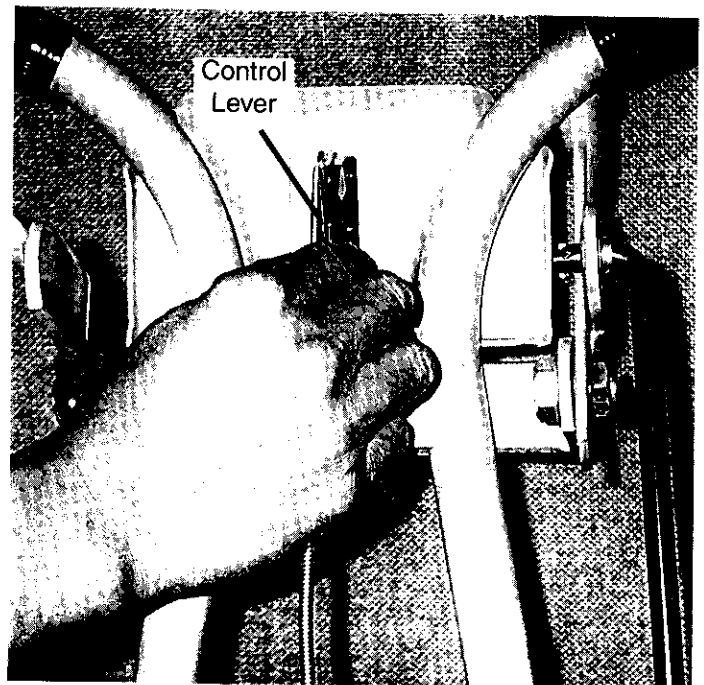


FIGURE 8: Twist lever so knob will pass through slot in panel.

Assembly

THROTTLE CONTROL ASSEMBLY:

1. See Fig. 9: When the knob is through the handle panel, straighten the throttle cable so the throttle control body can be pushed through the panel slot.

SIDE VIEW



FIGURE 9

5. See Fig. 10: Push entire knob and control body through the panel slot from the back as shown.

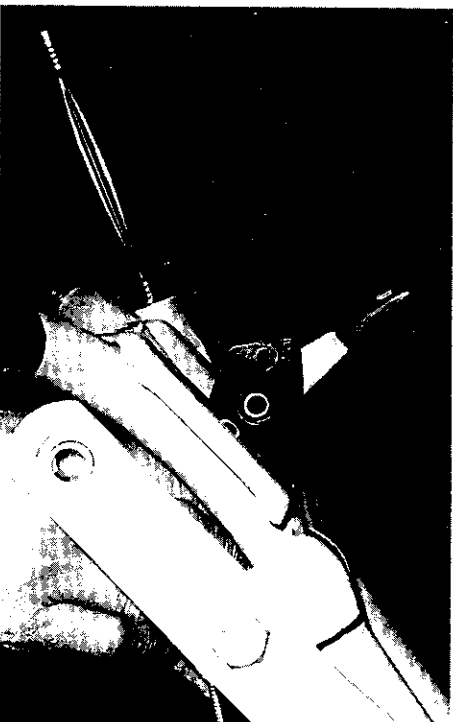


FIGURE 10

6. See Fig. 11: Line the complete knob and control body unit with the panel slot. Use both hands and push the control body unit into the panel slot until it locks in place.

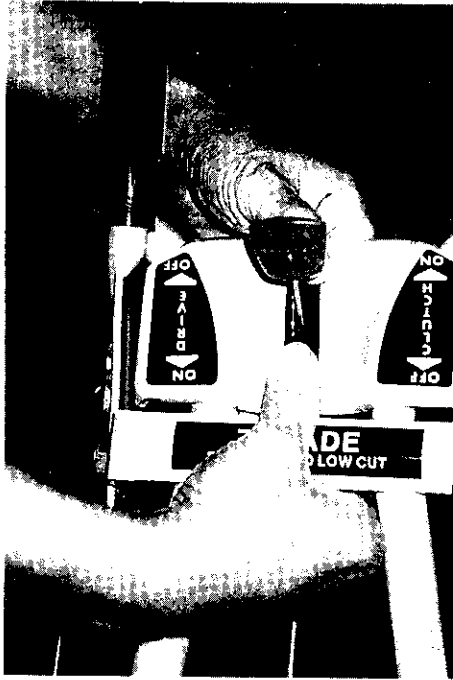


FIGURE 11

INSTALLING GRASS CATCHER:

1. See Fig. 12: Loosen catcher hook, nuts and bolts. Remove front nut and bolt from each catcher hook. Then raise catcher hooks and fasten both hooks with the bolts. Leave bolts loose until catcher is adjusted for proper clearance from the reel blades.
2. Attach grass catcher to the mower and make sure the catcher does not touch the reel blades. The catcher hooks are slotted so you can easily adjust the catcher so it will clear the reel blades.
3. When proper clearance is assured, tighten the nuts and bolts holding the hooks to the catcher.

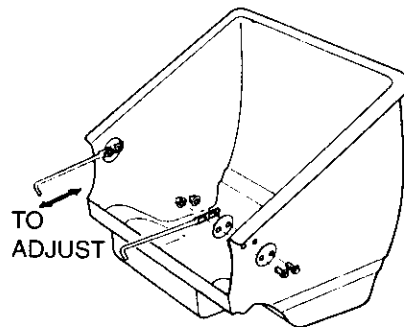


FIGURE 12

FUEL AND OIL

NOTE: Engine is shipped **WITHOUT** oil. Use a high quality detergent oil classified "for service SF, SE, SD or SC". 30 or 10W-30 wt. oil is recommended for most areas. Do not use 10Wt - 40Wt oil.

TO FILL CRANKCASE WITH OIL

Place engine level. Clean area around oil fill before removing oil fill plug.

OIL FILLPLUG. Remove oil fill plug. Fill crankcase to pint of overflowing. **POUR SLOWLY.** Capacity approximately 20 ounces. Replace oil fill plug.



Handle fuel with care – it is highly flammable. Use only approved fuel container. Never add fuel while engine is running. Fill fuel tank outdoors with extreme care. Never fill fuel tank indoors. Replace gasoline cap securely and wipe up all spilled fuel.

We recommend the use of clean, fresh **lead-free** gasoline. Leaded gasoline may be used if lead-free is not available. A minimum of 77 octane is recommended. The use of lead-free gasoline results in fewer combustion deposits and longer valve life.

NOTE: We **DO NOT** recommend the use of gasoline which contains alcohol, such as gasohol. However, if gasoline with alcohol is used, it **MUST NOT** contain more than 10 percent Ethanol and **MUST** be removed from the engine during storage. **DO NOT** use gasoline containing Methanol. See **STORAGE INSTRUCTIONS**

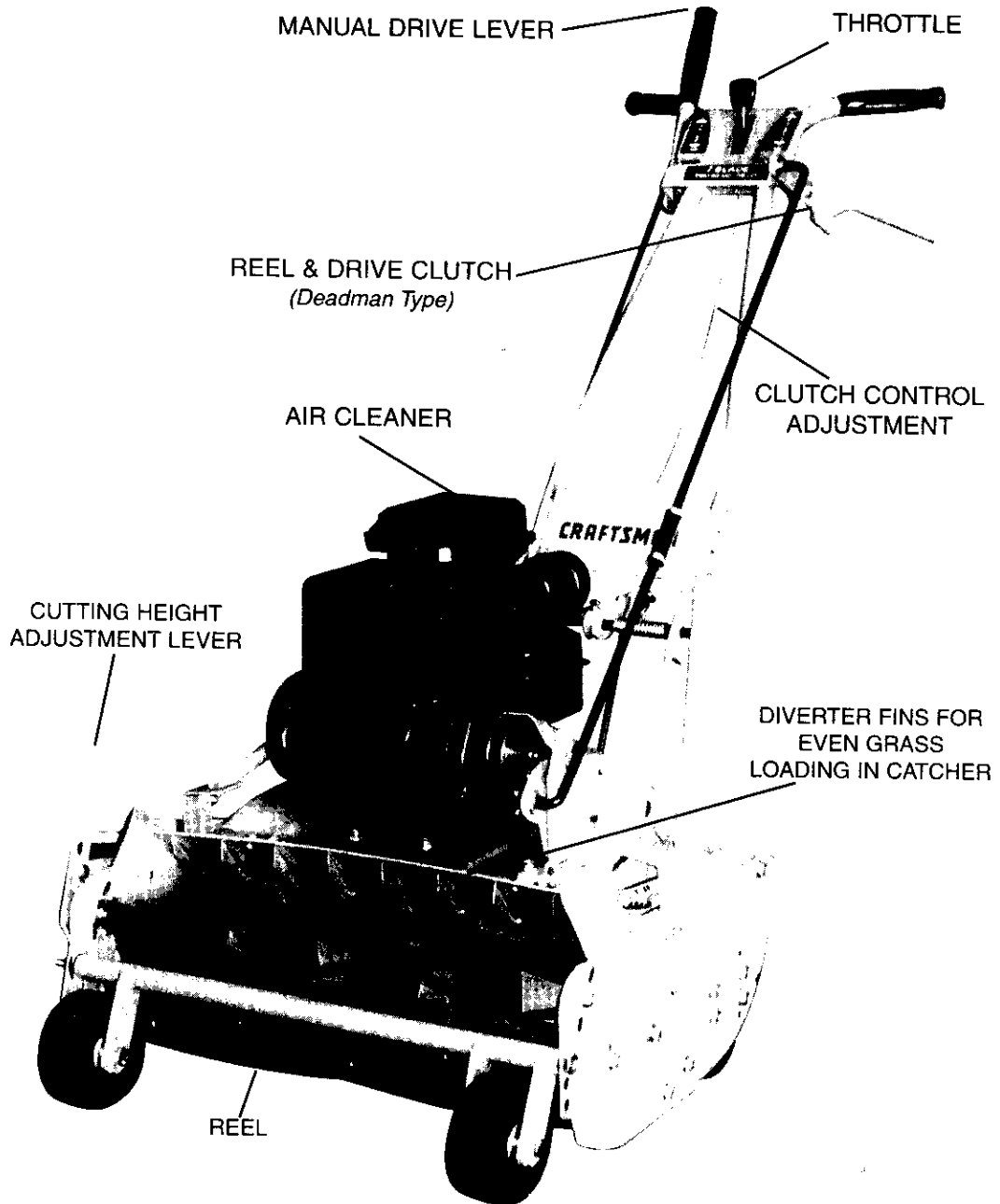
WARNING: Experience indicates that alcohol blended fuels (called gasohol or using ethanol or methanol) can attract moisture which leads to separation and formation of acids during storage. Acidity gas can damage the fuel system of an engine while in storage. To avoid engine problems, the fuel system should be emptied before storage for 30 days or longer. Drain the gas tank, start the engine and let it run until the fuel line and carburetor are empty. Use fresh fuel next season. See Storage Instructions for additional information. Never use engine or carburetor cleaner products in the fuel tank or permanent damage may occur.

DO NOT fill fuel tank to point of overflowing. Provide approximately 1/4" of tank space for fuel expansion.

Operation

KNOW YOUR MOWER

READ THIS OWNER'S MANUAL AND SAFETY RULES BEFORE OPERATING YOUR MOWER. Compare the illustrations with your Mower to familiarize yourself with the location of various controls and adjustments. Save this manual for future reference.



Model No. 328-395900

MEETS CPSC SAFETY REQUIREMENTS

Sears Walk-Behind Power Mowers conform to the safety standards of the American National Standards Institute, and the U.S. Consumer Product Safety Commission.

THROTTLE — Used for stopping and engine speeds.
DRIVE LEVER — Engages wheel that drives mower.

DRIVE CLUTCH — Used to engage reel.
CUTTING HEIGHT LEVER — Adjusts mower cutting heights.

Operation

HOW TO USE YOUR MOWER

THROTTLE CONTROL:

The engine speed is controlled by the throttle lever located at the top of the handle. The lever also controls starting and stopping.

DRIVE CLUTCH LEVER:

This lever is located on the left side of the mower and when raised, engages the clutch which drives the reel. For safety, when the lever is released, the reel and mower stops immediately.

MANUAL DRIVE LEVER:

The drive lever is located on the right side of the handle. When pushed forward the drive wheel engages the ground and drives the mower. Activated the clutch lever first, then the drive lever to propel mower forward.

⚠ CAUTION ⚠

The Operation of any lawn mower can result in foreign objects thrown into the eyes, which can result in severe eye damage. Always wear safety glasses or eye shields before starting your lawn mower and while mowing. We recommend Wide Vision Safety Mask for over the spectacles or standard safety glasses, available at Sears Retail or Catalog Stores.

HEIGHT ADJUSTMENT

- The cutting height of the mower is adjustable from 3/16" to 1-1/4".
- Front wheel assembly bar may be moved in 2 holes (in side panels) to adjust height (Fig. 13).
- For best performance use only top two cutting height adjustment holes.

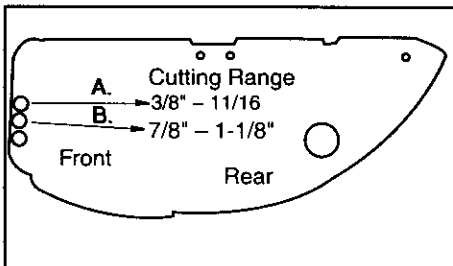


FIGURE 13

CAUTION: To avoid possible damage to front wheels do not start mower before setting height adjustment. Notched height bracket at right front of mower (Fig. 14) must be placed at desired cutting height position.

FINE ADJUSTMENT CUTTING RANGES

For fine adjustment moving lever at front of mower (Fig. 14) allows range of 8 settings, four each for first and second adjustment holes in mower body (fig. 13).

Lift lever as shown (Fig. 14) and adjust height by repositioning notched bracket.

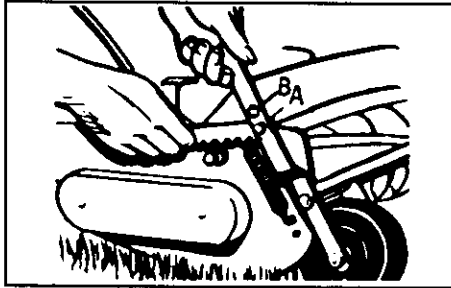


FIGURE 14

Lever Position	Height	
	A.	B.
Notch #1	scalping 3/8"	7/8"
Notch #2	7/16"	1"
Notch #3	9/16"	1-1/16"
Notch #4	11/16"	1-1/8"

- A. Top adjustment hole
- B. Second adjustment hole

*When using A or B hole (Fig. 13), notched lever (Fig. 14) must be changed to A or B hole also. (Use A in Fig. 13 & A in Fig. 14).

⚠ CAUTION ⚠

Before starting engine, become familiar with all controls. Read this Operator's Manual thoroughly. always check engine oil level before starting engine.

⚠ WARNING ⚠

Care should be taken to avoid inhaling exhaust gases as they contain carbon monoxide gas which is colorless and odorless. Carbon monoxide is a dangerous gas that can cause unconsciousness and is potentially lethal. Do not run engine in confined areas such as a closed garage.

STARTING THE ENGINE

1. Move throttle lever to choke position. Pull rewind starter handle rapidly. Repeat if necessary. Move throttle up to running position.
2. Lift engine clutch control and hold against handle to engage reel (Fig. 15).
3. Move drive control to DOWN position to move forward.
4. To disengage reel drive, immediately release control lever.
5. To stop engine move throttle lever to STOP position (Fig. 15).

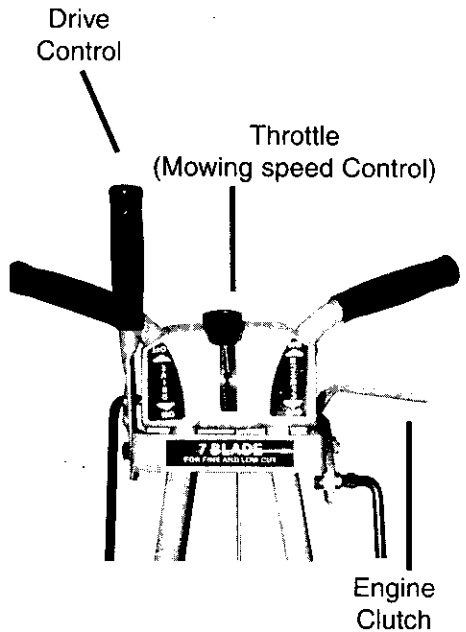


FIGURE 15

HOW TO USE THE CONTROLS AND WHAT THE CONTROLS DO

1. From the operators position which is behind the lawn mower, engages the cutting blade.
2. The control in the middle regulates the speed of the engine.
3. The control lever on the right engages the self-propelled mechanism.

TURN THE PRODUCT OFF

1. The Engine—push the middle control all the way towards operator to stop.
2. Cutting Blades—release the handle on the left side.
3. The Self-Propelled Mechanism—release the handle on the left side also.

Maintenance

GENERAL RECOMMENDATION

1. The spark plug and air filter should be replaced once a year. This will assure better engine performance and longer engine life.
2. Check all fasteners and be sure they are tight.
3. Follow all maintenance instructions listed on the following pages and the service schedule.

CAUTION: DISCONNECT SPARK LUG WIRE FROM SPARK PLUG AND PLACE WIRE WHERE IT CANNOT COME IN CONTACT WITH SPARK PLUG.

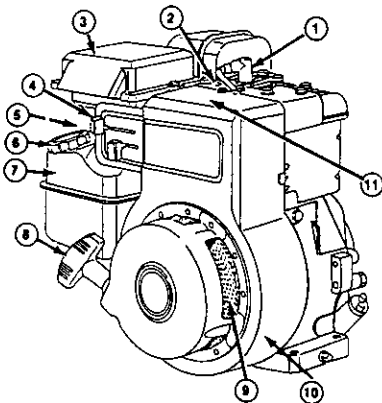


FIGURE 16

CHANGING ENGINE OIL

1. Tilt mower back, place suitable container on floor next to drive wheel.
2. Place a piece of metal over drive wheel so oil will drain into container. A plastic funnel can also be used. Cut part of funnel away and place under drain plug making sure small end of funnel is directed toward the container.
3. Remove oil drain plug. (Refer to Fig. 16).
4. When oil is drained, replace plug and refill crankcase with oil as per instructions on page 7.

TO SERVICE AIR CLEANERS

Clean cartridge at three month intervals or every 25 hours, whichever occurs first.
NOTE: Service more often if necessary.

1. Remove knob and cover.
2. Remove cartridge by pulling it off of the screw.

SERVICE RECOMMENDATIONS

SERVICE RECORD	SCHEDULE					SERVICE DATES				
	FIRST 5 HOURS	EVERY 25 HOURS	EVERY 50 HOURS	EVERY 100 HRS. OR SEASON	EVERY USE	FILL IN WHEN SERVICE IS COMPLETED				
REEL BACKLAPPED			X							
CHECK & ADJUST BELT TENSION	X									
LUBRICATE MOWER			X							
ENGINE OIL CHANGE	X		X							
ENGINE OIL CHECK					X					
SERVICE AIR CLEANER		X								
CLEAN/REPLACE SPARK PLUG				X						
CHECK MUFFLER				X						
CLEAN MOWER					X					
CLEAN AIR CLEANER										

3. Clean by tapping gently on a flat surface.

If very dirty, replace cartridge or clean as follows:

- a. Wash in a low or non-sudsing detergent and warm water solution. CAUTION: Do not use petroleum solvents such as kerosene, to clean cartridge.
- b. Rinse thoroughly with flowing water from inside out until water is clear.
- c. Allow cartridge to stand and air dry thoroughly before using. DO NOT OIL CARTRIDGE. DO NOT USE PRESSURIZED AIR TO CLEAN OR DRY CARTRIDGE.

4. Install cartridge, then cover and screw knob securely. See Figure 17.

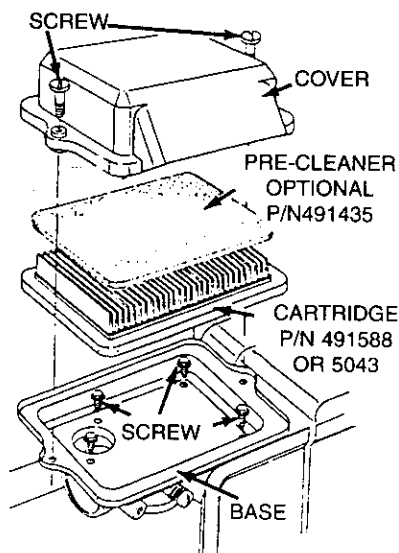


FIGURE 17

SPARK PLUG

Clean and reset gap at .030" every 100 hours of operation.

CLEAN COOLING SYSTEM

Grass, chaff or dirt may clog the rotating screen and the air cooling system especially after prolonged service cutting dry grass. Yearly or every 100 hours, whichever occurs first, remove the blower housing and clean the areas to avoid overspeeding, overheating and engine damage. Clean more often if necessary. Refer to Engine manual for detailed instructions.

CLEAN ENGINE

Remove dirt and debris with a cloth or brush. Cleaning with a forceful spray of water is not recommended as water could contaminate the fuel.

LUBRICATION

Check oil level regularly. Oil all exposed bearings, linkage and front wheels. Oil chain frequently. Reel and main drive bearings are sealed.

REEL MAINTENANCE

Normally grinding of the reel is not recommended or necessary to insure proper cutting. This is due to the extreme hardness and great strength of the reel. Sharpening and back lapping when required, should always be done by a properly equipped service center. CAUTION: DO NOT RUN ENGINE AT EXCESSIVE SPEEDS. Operating an engine at excessive speeds increases the danger of personal injury.

1. DO NOT TAMPER WITH GOVERNOR SPRINGS, GOVERNOR LINKS OR OTHER PARTS WHICH MAY INCREASE THE GOVERNED ENGINE SPEED.

SERVICE AND ADJUSTMENTS

TO CHECK OPERATION OF CHOKE CONTROLS:

Move speed control lever to "choke" position. The carburetor choke should be closed.

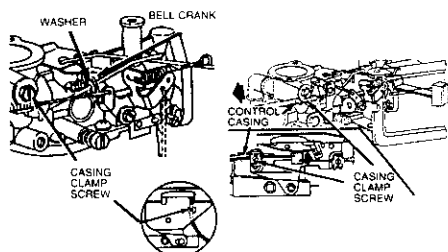
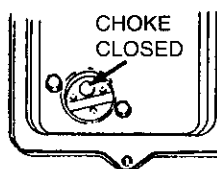


FIGURE 18



TO ADJUST CHOKE CONTROLS:

Place speed control lever on equipment in "FAST" (high speed) position. Loosen control casing clamp screw (B) on control plate. Move control casing (A) and wire forward or backward until washer (C) just touches the choke operating bell crank (D). Tighten casing clamp screw (B) on control plate. REcheck operation of controls after adjustment. Move control lever to "STOP" position. Lever must make good contact with stop switch if so equipped. (Refer to Fig. 18). Refer to engine manual for detailed instructions.

Replace Air Cleaner

Clip for throttle cable should secure cable to handle.

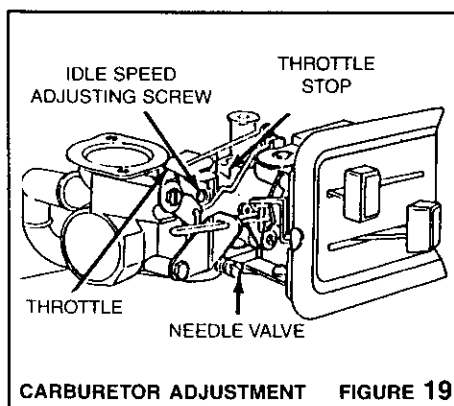
CARBURETOR ADJUSTMENTS

Minor carburetor adjustment may be required to compensate for differences in fuel, temperature, altitude or load. Air cleaner and air cleaner cover must be assembled to carburetor when running engine.

INITIAL ADJUSTMENT:

Gently turn needle valve clockwise until it just closes. Valve may be damaged by turning it in too far. (Refer to Fig. 19).

Next open needle valve 1-1/2 turns counterclockwise. This initial adjustment will permit the engine to be started and warmed up (approximately 5 minutes) prior to final adjustment.



CARBURETOR ADJUSTMENT FIGURE 19

FINAL ADJUSTMENT:

Place throttle control in "FAST" position. Turn needle valve in until engine slows (clockwise—lean mixture). Then turn it out past smooth operating point until engine runs unevenly (rich mixture). Now turn needle valve to the midpoint between rich and lean so the engine runs smoothly. Next, adjust idle RPM. Rotate throttle counterclockwise and hold against stop while adjusting idle speed adjusting screw to obtain 1750 RPM. Release throttle. Engine should accelerate without hesitation or sputtering. If it does not, carburetor should be readjusted, usually to a slightly richer mixture.

CLUTCH BELT MAINTENANCE:

1. Inspect clutch belt frequently for wear and damage. Worn and damaged belts can cause the clutch to operate improperly, such as continuous movement of the reel and roller drive when all levers are disengaged.

Replace the belt when excessive wear or damage occurs.

CLUTCH BELT REPLACEMENT:

1. Remove cotter pin from lower clutch control rod (Part 1012D) and slide control rod from clutch bearing (Part 1046D).
2. Remove belt guard bolt using 1/2" wrench and remove belt guard from the clutch body.
3. Detach Deadman clutch spring (Part 1052D) from deadman belt idler (Part 1047D).
4. Remove the worn belt.
5. Install new belt by placing around jackshaft pulley (Part 1053) first and then around the engine pulley (Part 1063).
6. CAUTION: Make sure idler bearing (Part 1048D) rests against the inside of the belt. (The belt must be placed over the pulleys and the idler bearing).

7. Replace deadman clutch spring. (Attach to belt idler).
8. Replace belt guard and belt guard bolt. Do not tighten bolt.
9. Replace clutch control rod making sure rod is placed outside of the belt.
10. Replace cotter pin and check for proper tension by following instructions on page 4 under heading "Engine Clutch Rod Tension Adjustment"
11. Now check clutch belt guard for proper adjustment. There must be 1/16" clearance between the top of the belt and the bottom of the belt guard. Adjust guard up or down to maintain the 1/16" clearance.

NOTE: The clearance must be checked and adjustment made when the clutch is engaged and there is tension on the belt. (Lift clutch lever to the handle to engage clutch and put tension on the belt).

12. When the 1/16" clearance is achieved, tighten belt guard firmly.

IMPORTANT:

IMPROPER ADJUSTMENT OF BELT GUARD AND TENSION OF CLUTCH CONTROL ROD CAN CAUSE PREMATURE WEAR OF THE BELT AND FAILURE OF PROPER CLUTCH ACTION.

STORAGE

MOWER:

- Clean all debris off mower and engine with a rag or brush.
- Do not use water.
- Oil all chains and wipe off excess oil with a rag.

ENGINE:

Engines to be stored over 30 days should be completely drained of fuel to prevent gum deposits forming on essential carburetor parts, fuel filter and tank.

NOTE: The use of a fuel additive, such as STA-BIL®, or an equivalent, will minimize the formation of fuel gum deposits during storage. Such an additive may be added to the gasoline in the fuel tank of the engine, or to the gasoline in a storage container.

- a. All fuel should be removed from the tank. Run the engine until it stops from lack of fuel.
- b. While engine is still warm, drain oil from crankcase. Refill with fresh oil.
- c. Remove spark plug, pour approximately 1/2 ounce (15 cc) of engine oil into cylinder and crank slowly to distribute oil. Replace spark plug.
- d. Clean dirt and chaff from cylinder, cylinder head fins, blower housing, rotating screen and muffler areas.
- e. Store in a clean and dry area.

IMPORTANT:

IT IS IMPORTANT TO PREVENT GUM DEPOSITS FROM FORMING IN ESSENTIAL FUEL SYSTEM PARTS SUCH AS THE CARBURETOR, FUEL FILTER, FUEL HOSE, OR TANK DURING STORAGE. ALSO, EXPERIENCE INDICATES THAT ALCOHOL BLENDED FUELS (CALLED GASOHOL OR USING ETHANOL OR METHANOL) CAN ATTRACT MOISTURE WHICH LEADS TO SEPARATION AND FORMATION OF ACIDS DURING STORAGE. ACIDIC GAS CAN DAMAGE THE FUEL SYSTEM OF AN ENGINE WHILE IN STORAGE.

OTHER:

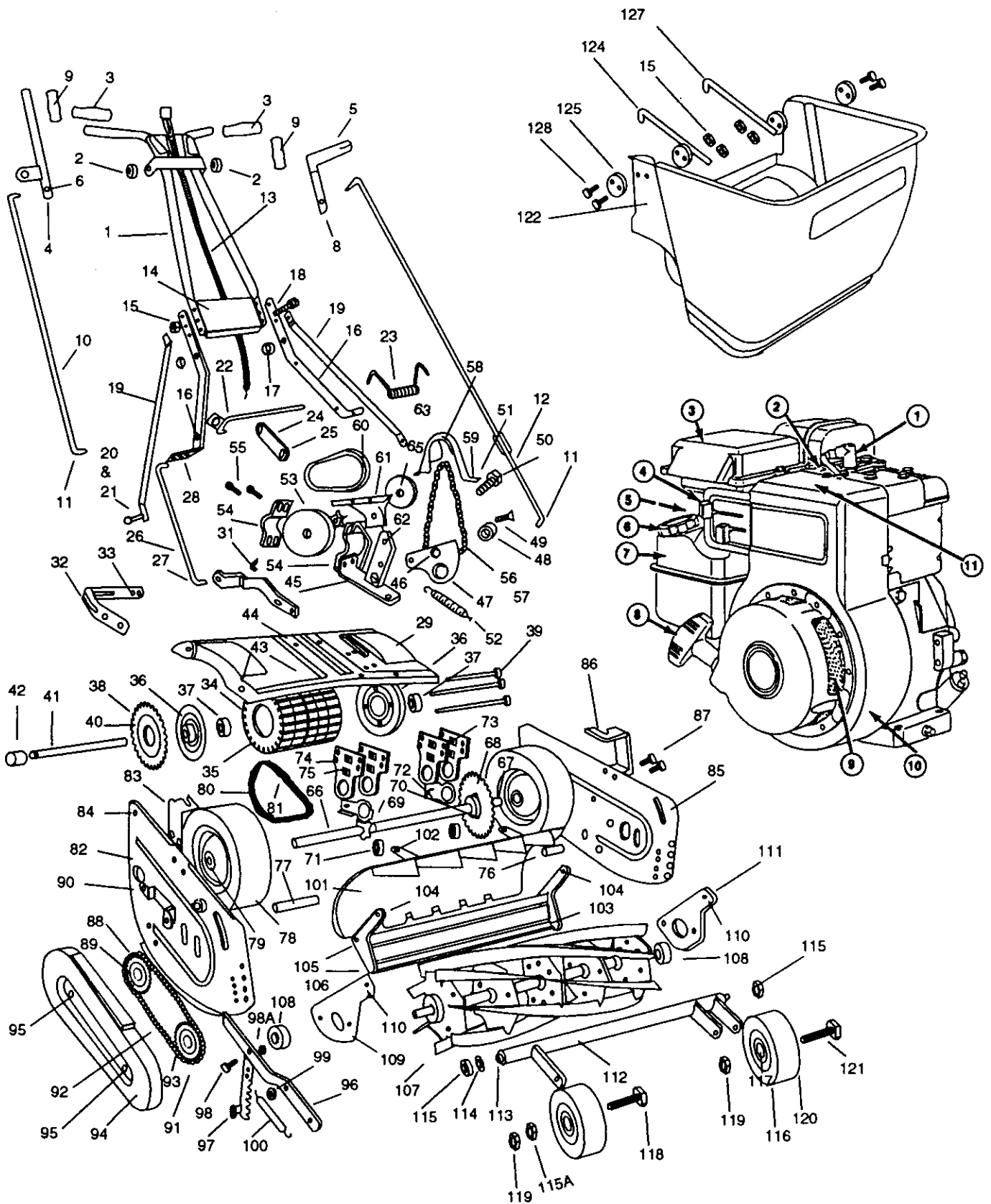
Do not store gasoline from one season to another.

- Replace your gasoline can if your can starts to rust. Rust and/or dirt in your gasoline can cause problems.
- Do not store your mower under any plastic cover. Plastic cannot breathe which allows condensation to form and can cause your mower to rust.

TROUBLE SHOOTING CHART

PROBLEM	CAUSE
1. Engine fails to start.	<ul style="list-style-type: none"> A Check fuel tank for gas. B Spark plug lead wire disconnected. C Throttle control lever not in starting position. D Check spark plug. E Carburetor improperly adjusted. Engine flooded. Remove spark plug, dry the plug, crank engine with plug removed, and throttle in off position. Replace spark plug and lead wire and resume starting procedures. F Old/stale gas. Drain and refill with fresh gas.
2. Hard starting or loss of power.	<ul style="list-style-type: none"> A Spark plug wire loose B Carburetor improperly adjusted. C Dirty air cleaner.
3. Operation erratic.	<ul style="list-style-type: none"> A Dirt in gas tank. Drain, clean and refill. B Dirty air cleaner. C Water in fuel supply. Drain and refill. D Vent in gas cap and/or carburetor plugged. Clear vent. E Carburetor improperly adjusted.
4. Occasional skip (hesitates) at high speed.	<ul style="list-style-type: none"> A Spark plug fouled, faulty or gap too wide. B Carburetor improperly adjusted. C Dirty air cleaner.
5. Idles poorly.	<ul style="list-style-type: none"> A Carburetor idle speed too slow. B Spark plug gap too close. C Carburetor idle mixture adjustment improperly set.
6. Engine overheats	<ul style="list-style-type: none"> A Adjust carburetor. B Remove any obstructions from air passages in shrouds. C Clean cooling fins. D Fill crankcase to proper oil level.

Front Throw Reel Mower Repair Parts — Model No. 328-395900



Front Throw Reel Mower Repair Parts — Model No. 328-395900

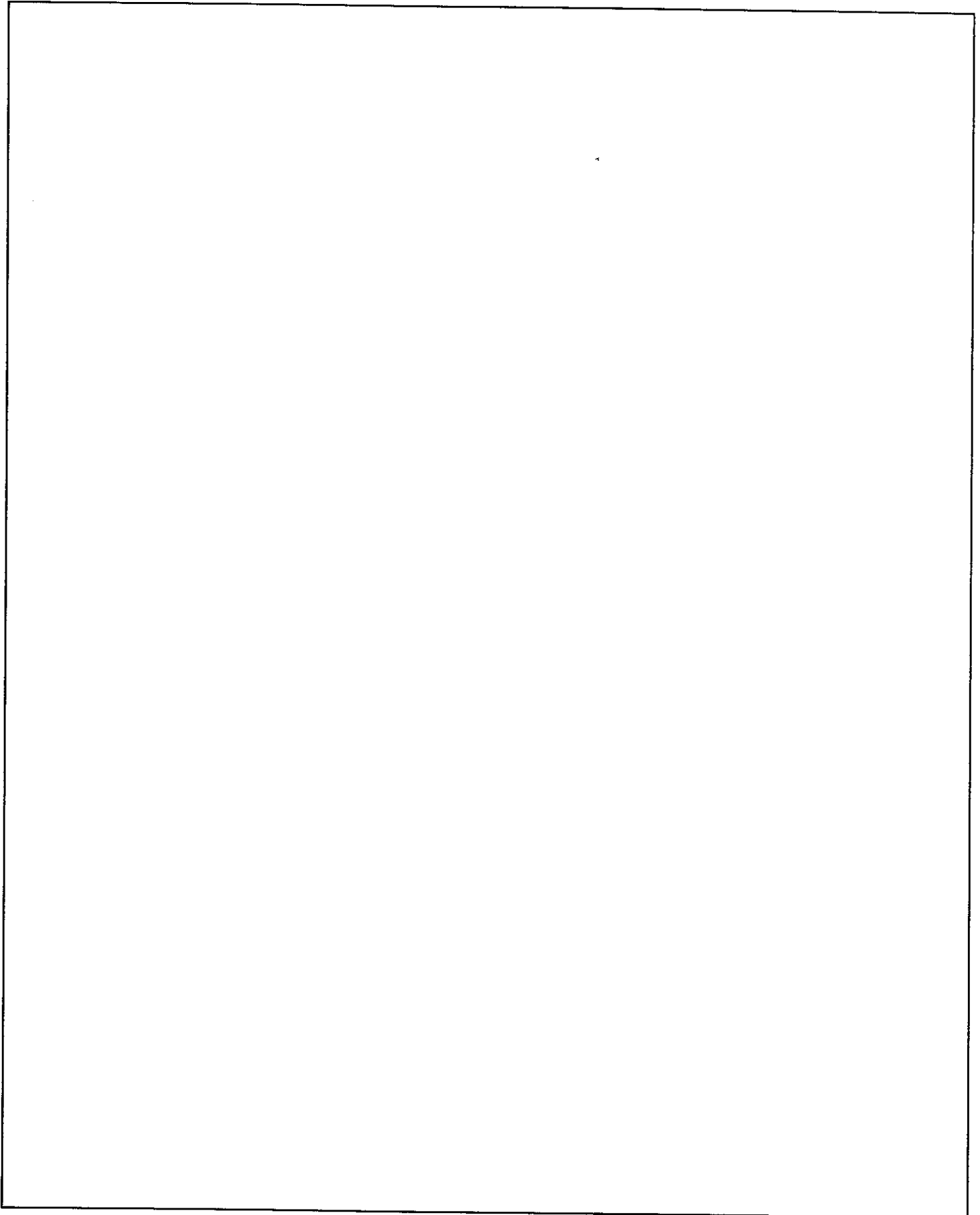
REF. PART NO.	NO.	DESCRIPTION	Order parts from Sears by Specifying Model & Part No.	REF. PART NO.	NO.	DESCRIPTION	Order parts from Sears by Specifying Model & Part No.
1	1001-A	Handle		71	1071	Axle Support Bearing (2 req.)	
2	7015-A	Shoulder Bolt for Handle		72	1072	Roller Bracket Supports (2 req.)	
3	1003	Handle Grips (2 req.)		73	1073	Axle hangers (4 req.)	
4	1004	Drive Control Lever		74	1074	*Hanger Bolts 5/16" - 24 x 7/8" (8 req.)	
5	1005-D	Clutch Control Lever		75	1075	*5/16" - 24 Nuts (8 req.)	
7	1007	Plastic Washer (2 req.) L & R		76	1076-D	Spacer	
8	1008	*Lock Nuts 7/16" - 14 (2 req.) L & R		77	1077-D	Spacer	
9	1009	Drive & Clutch Lever Grips		78	1078-S	Rear Wheels w/Bearings (2 req.)	
10	1010	Drive Control Rod		79	1037-D	Retainer Bearing	
11	1011	*Cotter Pins 1/8" x 1/2" (3 req.)		80	1080	*Roller Drive Chain No. 41-36 Pitch	
12	1012-D	Clutch Control Rod		81	1057	*Connecting Link No. 41	
13	1013	Throttle Control Assembly		82	1082-D	Slide Plate w/Chain Guard Bracket	
14	1014	Handle Brace Plate		83	1083	Catcher Hook Bracket	
15	1015	*1/4" - 28 Nuts (6 req.)		84	1028	*5/16" - 18 x 3/4" Bolts (4 req.)	
16	1016	Lower Handle (2 req.)		85	1085-D	Side Plate	
18	1018	*1/4 - 28 x 7/8" Bolts (6 req.)		86	1086	Catcher Hook Bracket	
19	1019	Handle Brace (2 req.) L & R		87	1028	*5/16" - 18 x 3/4" Bolts (4 req.)	
20	1020	*1/4 - 28 x 5/8" Bolts (2 req.) L & R		88	1088	Sprocket (17 teeth)	
21	1021	*1/4" - 28 Nuts (2 req.) L & R		89	1070	*Set Screws 7/16" - 20 x 7/16" Half Dog (4 req.)	
22	1022	Drive Pivot Rod		90	1033	*5/16" - 18 x 1/2" Bolts (2 req.)	
23	1023	Drive Pivot Spring		91	1091-B	Sprocket (11 teeth)	
24	1024	Drive Pivot Arm		92	1092-A	*Reel Drive Chain No. 41-45 Pitch	
25	1025	*Set Screw 3/8" -16 x 1/2" Square Head		93	1057	*Connecting Link No. 41	
26	1026	Lower Drive control Rod		94	1094	Chain Guard	
27	1011	*Cotter Pin 1/8" x 1/2"		95	1033	*5/16" - 18 x 1/2" Bolts (2 req.)	
28	1028	*5/16" - 18 x 3/4" Bolts (4 req.) L & R		96	1096	Height Adjustment Lever	
29	1029	Deck		97	1097	Height Adjustment Notched Bracket	
31	1031	Roller Support Bracket with Bearing		98	1028	*5/16" - 18 x 3/4" Bolt	
32	1031	Roller Support Bracket		98A	1075-A	5/16"-18 Nut	
33	1033	*5/16" - 18 x 1/2" Bolts (2 req.)		99	1099	Spacer Bushing	
34	1034	Roller Drive Tube		100	1100	Height Adjustment Spring	
35	1035	Roller Drive Tires (5 req.)		101	1101-2	Shield	
36	1036	Roller End Caps (2 req.)			1101-A	Shield Assembly Hardware	
37	1037	Ind Cap Bearings (2 req.)		102	1033	*5/16" - 18 x 1/2" Bolt (2 req.)	
38	1038	Roller Drive Sprocket (30 teeth)		103	1103-A	Bed Knife	
39	1039	Roller Drive Bolts (3 req.)		104	1028	*5/16" - 18 x 3/4" Bolts (2 req.)	
40	1015	*1/4" - 28 Drive Nuts (6 req.)		105	1105	Tapered Bolts 5/16" -18 x 5/8" (6 req.)	
41	1041	Roller Drive Shaft		106	1106	Bushing for Tapered Bolt (6 req.)	
42	1042	Spacer		107	1107-7	Reel Assembly 7 Blade	
43	1043-A	Engine, State Model		108	1108	Reel Bearings (2 req.)	
44	1044	*5/16" - 24 x 1-1/2" Bolts (4 req.)		109	1109	Reel Bearing Retainer	
45	1045-D	Main Clutch Body		110	1033	*5/16" - 18 x 1/2" Bolts (2 req.)	
46	1046-D	Clutch Rod Bearing		111	1111	Reel Bearing Retainer	
47	1047-D	Belt Idler Arm		112	1112	Front Wheel Assembly Bar	
48	1048-D	Idler Bearing			1112-B	Bushing	
49	1049	*3/8" -16 1/2" Flat Head Phillips Head Screw		113	1113	Tie rod	
50	1015-A	Bolt for Clutch Body		114	1007	Plastic Washer	
51	1051	Washer		115	1008	*7/16" - 14 Nuts (2 req.)	
52	1052-D	Clutch Spring w/Spring Plate		115A	1008-A	*7/16" - 14 Jam Nuts (2 req.)	
53	1053	Jack Shaft with Pulley & Sprocket		116	1116	Front Wheels with Bearings	
54	1054	Jack Shaft Housing (2 req.)		117	1002	Front Wheel Bearings (2 req.)	
55	1028	*5/16" - 18 x 3/4" Bolts (4 req.)		118	1118	*7/16" - 14 x 3-1/2" Bolt	
56	1092	Clutch Drive Chain -No. 41 x 46 Pitch		119	1008	*7/16" - 14 Nuts (2 req.)	
57	1057	*Connecting Link for No.41 Chain		120	1120	Flat Washer	
58	1058	Clutch Chain Guard		121	1121	*7/16" - 14 x 3-1/4" Bolt	
59	1033	*5/16" - 18 x 1/2" Bolts		122	1122	Plastic Grass Catcher	
60	1060-B	Clutch Belt		124	1124	Catcher Hook	
61	1061	Belt Guard		125	3065	Washer	
62	1062	*5/16" - 18 x 3/8" Bolts		127	1127	Catcher Hook	
63	1063	Engine Pulley		128	1018	1/4" - 28 x 7/8" Bolt (4 req.)	
65	1065	Allen Set Screw 5/16" - 24 x 15/16"		N/S	3959M**	Owner manual—Repair Parts	
66	1066-D	Rear Axle Shaft		N/S	1202E**	Engine Operating Instruction Manual	
67	1067-D	Retainer					
68	1068-C	Sprocket (30 teeth with Hub)					
69	1069	Sprocket (8 teeth with Hub)					
70	1070	*Set Screws 7/16" - 20 x 7/16" Half Dog (3 req.)					

* Standard Hardware Items, may be purchased locally.
 ** NOT SHOWN

NOTES — MAINTENANCE RECORD

A large, empty rectangular box with a thin black border, occupying most of the page. It is intended for handwritten notes and maintenance records.

NOTES — MAINTENANCE RECORD

A large, empty rectangular box with a thin black border, occupying most of the page. It is intended for handwritten notes and maintenance records.

NOTES — MAINTENANCE RECORD

OWNER'S MANUAL

**MODEL NO.
328-395900**

CRAFTSMAN® 3.75 HP 20" 7-Blade Power Propelled Reel

Each Lawn Mower has its own model number. Each engine has its own model number.

The model number for your lawn mower will be found on a decal attached to the rear of the mower housing.

The model number for the engine will be found on the Blower Housing of the engine adjacent to the spark plug.

All parts listed herein may be ordered through Sears, Roebuck and Co. Service Centers and most retail stores.

When ordering repair parts, always give the following information:

- Product – "Self Propelled Reel Mower"
- Model Number – 328-395900
- Engine Model Number –
- Part Number
- Part Description

Your Sears merchandise has added value when you consider that Sears has service units nationwide staffed with Sears Trained technicians...professional technicians specifically trained on Sears products, having the parts, tools and the equipment to insure that we meet our pledge to you, we service what we sell.

Your Sears Merchandise takes on added value when you discover that Sears has Service Units throughout the country. Each is staffed by Sears-trained, professional technicians using Sears approved parts and methods.

SEARS, ROEBUCK AND CO., Hoffman Estates, IL 60179 U.S.A