



**3.5 Horsepower
9 Inch
EDGER**

**MODEL NO.
536.772400**



**Caution:
Read and follow all Safety Rules
and Operating Instructions before
first use of this product.**

**SEARS, ROEBUCK AND CO., Hoffman Estates, IL 60179 U.S.A.
F-001106M**

SAFETY

ASSEMBLY

OPERATION

MAINTENANCE

PARTS LIST

ESPOÑOL

TABLE OF CONTENTS

WARRANTY STATEMENT	2	SERVICE AND ADJUSTMENT	19
SAFETY RULES	3	TROUBLE SHOOTING CHART	22
INTERNATIONAL SYMBOLS	5	EDGER REPAIR PARTS	23
ASSEMBLY	6	ENGINE REPAIR PARTS	31
OPERATION	10	SPANISH (ESPAÑOL)	37
MAINTENANCE	16	PARTS AND SERVICE	BACK COVER

WARRANTY STATEMENT

LIMITED TWO-YEAR WARRANTY ON CRAFTSMAN EDGER

For two years from the date of purchase, when this Craftsman Edger is maintained, lubricated, and tuned up according to the operating and maintenance instructions in the owner's manual, Sears will repair, free of charge, any defect in material or workmanship.

If this Craftsman Edger is used for commercial or rental purposes, this warranty applies for only 90 days from the date of purchase.

This warranty does not cover the following:

- Expendable items which become worn during normal use, such as spark plugs, etc.
- Repairs necessary because of operator abuse or negligence, including bent crank shafts and the failure to maintain the equipment according to the instructions contained in the owner's manual.

WARRANTY SERVICE IS AVAILABLE BY RETURNING THE CRAFTSMAN EDGER TO THE NEAREST SEARS SERVICE CENTER/DEPARTMENT IN THE UNITED STATES. THIS WARRANTY APPLIES ONLY WHILE THIS PRODUCT IS IN USE IN THE UNITED STATES.

This warranty gives you specific legal rights, and you may also have other rights which vary from state to state.

Sears, Roebuck and Co., D817WA, Hoffman Estates, IL 60179



WARNING:



Engine Exhaust, some of its constituents, and certain vehicle components contain or emit chemicals known to the State of California to cause cancer and birth defects or other reproductive harm.

Battery posts, terminals and related accessories contain lead and lead compounds, chemicals known to the State of California to cause cancer and birth defects or other reproductive harm. WASH HANDS AFTER HANDLING.

SAFETY RULES

Safe Operation Practices for Edger.



WARNING: Look for this symbol to point out important safety precautions. It means: "Attention! Become Alert! Your Safety Is Involved."



WARNING: To prevent accidental starting when setting-up, transporting, adjusting or making repairs, always disconnect spark plug wire and put wire where it cannot contact the spark plug .

Before Use

- Read the owner's manual carefully. Be thoroughly familiar with the controls and the proper use of the Edger. Know how to stop the Edger and disengage the controls quickly.
- Do not operate the Edger without wearing adequate outer garments. Wear footwear that will improve footing on slippery surfaces.
- Keep the area of operation clear of all persons, particularly small children and pets.
- Thoroughly inspect the area where the Edger is to be used and remove all foreign objects.

Fuel Safety

- Handle fuel with care; it is highly flammable.
- Use an approved container.
- Check fuel supply before each use, allowing space for expansion as the heat of the engine and/or sun can cause fuel to expand.
- Fill fuel tank outdoors with extreme care. Never fill fuel tank indoors. Replace fuel tank cap securely and wipe up spilled fuel.
- Never remove the fuel tank cap or add fuel to a running or hot engine.
- Never store fuel or Edger with fuel in the tank inside a building where fumes may reach an open flame.

F-001106M

Operating Safety

- Never allow children or young teenagers to operate the Edger. Keep them away while it is operating. Never allow adults to operate the Edger without proper instruction.
- Do not operate this machine if you are taking drugs or other medication which can cause drowsiness or affect your ability to operate this machine.
- Do not use this machine if you are mentally or physically unable to operate this machine safely.
- Always wear safety glasses or eye shields during operation or while performing an adjustment or repair to protect your eyes from foreign objects that may be thrown from the Edger.
- Do not put hands or feet near or under rotating parts.
- Exercise extreme caution when operating on or crossing gravel drives, walks, or roads. Stay alert for hidden hazards or traffic.
- Exercise caution to avoid slipping or falling.
- Never operate the Edger without proper guards, plates, or other safety protective devices in place.
- Never operate the Edger at high transport speeds on slippery surfaces. Look behind and use care when backing.
- Never allow bystanders near the Edger.
- Keep children and pets away while operating.
- Never operate the Edger without good visibility or light.
- Do not run the engine indoors. The exhaust fumes are dangerous, containing CARBON MONOXIDE, an ODORLESS and DEADLY GAS.
- Take all possible precautions when leaving the Edger unattended. Stop the engine.
- Do not overload the Edger capacity by attempting to till too deep at too fast a rate.

SAFETY RULES

Safe Storage

- Always refer to the owner's manual instructions for important details if the Edger is to be stored for an extended period.
- Never store the Edger with fuel in the fuel tank inside a building where ignition sources are present such as water and space heaters, clothes dryers, and the like. Allow the engine to cool before storing in any enclosure.
- Keep the Edger in safe working condition. Check all fasteners at frequent intervals for proper tightness.

Repair / Adjustments Safety

- After striking a foreign object, stop the engine. Remove the wire from the spark plug, and keep the wire away from the plug to prevent accidental starting. Thoroughly in-

spect the Edger for any damage, and repair the damage before restarting and operating it.

- If Edger should start to vibrate abnormally, stop engine and check immediately for the cause. Vibration is generally a warning of trouble.
- Stop the engine whenever you leave the operating position. Also, disconnect the spark plug wire before unclogging the blade and when making any repairs, adjustments, or inspections.
- When cleaning, repairing, or inspecting, shut off the engine and make certain all moving parts have stopped.
- Never attempt to make any adjustments while the engine is running except when specifically recommended by the manufacturer.

SAFETY RULES

INTERNATIONAL SYMBOLS

IMPORTANT: Many of the following symbols are located on your unit or on literature supplied with the product. Before you operate the unit, learn and understand the purpose for each symbol.

Control And Operating Symbols



Slow



Fast



Fuel



Oil



Primer Button

Safety Warning Symbols



WARNING
Thrown Objects.
Keep Bystanders Away.



WARNING
Rotating Parts. Stop Engine.
Disconnect Spark Wire Before
Making Adjustments.



WARNING



IMPORTANT
Read Owner's Manual
Before Operating
This Machine.



WARNING
Wear Eye Protection



STOP

ASSEMBLY

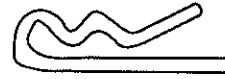
ASSEMBLY

Parts Packed Separately in Carton

- 1 – Owner's Manual (not shown)
- 1 – Container Of Oil
- 1 – Hair Pin



1 – Container of Oil



1 – Hair Pin



WARNING: Always wear safety glasses or eye shields while assembling the Edger.

Figure 1 shows the Edger completely assembled.

References to the right or left side of the Edger are from the viewpoint of the operator's position behind the unit.

REMOVE THE EDGER FROM THE CARTON

1. Remove the bottle of oil and parts bag from the carton.
2. Cut down all four corners of the carton.
3. Remove the packing material positioned around the unit.
4. Roll the Edger out of the carton and place on a hard level surface.

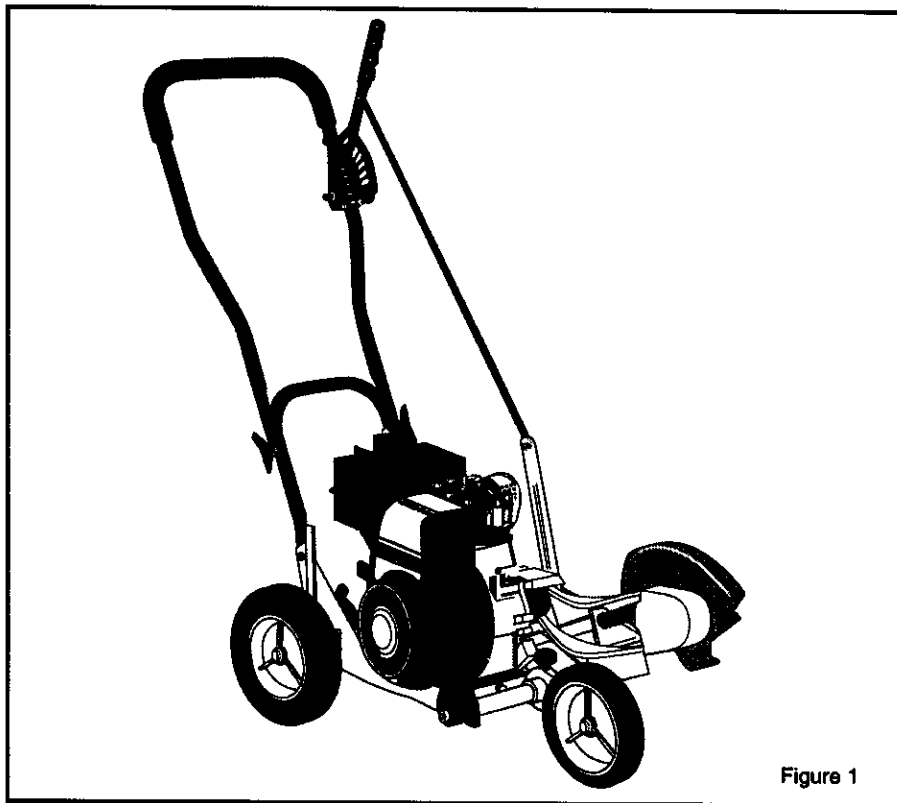
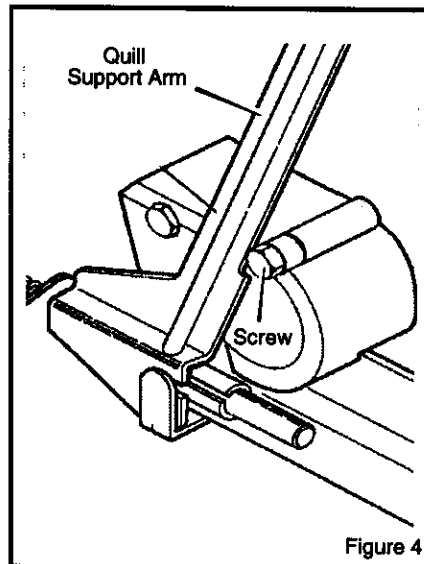
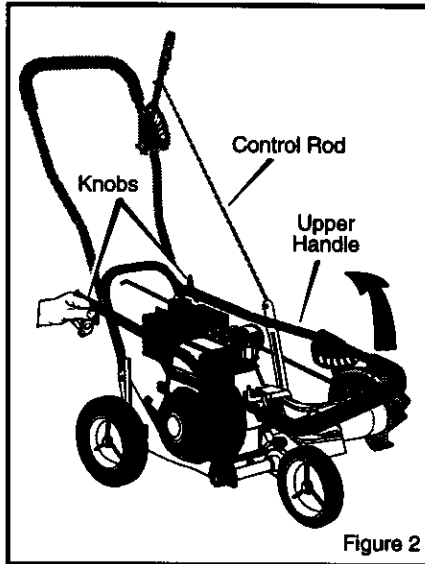


Figure 1

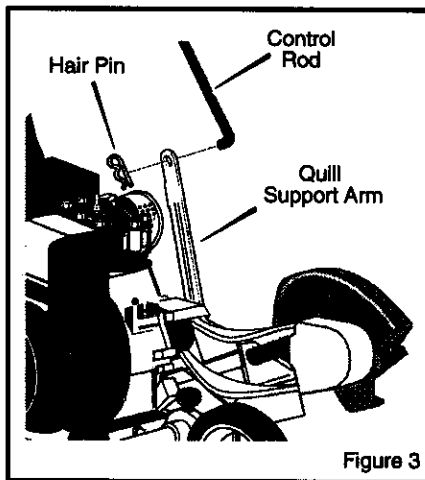
ASSEMBLY

HOW TO RAISE THE HANDLE

1. Loosen the **knobs** and raise the upper handle to the upright position. See Figure 2. Allow the control rod to swing freely.
2. Tighten the **knobs**. Make sure the **knobs** are to the outside of the handles as shown in Figure 2.
3. Insert the end of the **control rod** from left to right through the hole in the **quill support arm**. Attach with **hair pin** found in parts bag. See Figure 3.
4. When the clutch lever is in **NEUTRAL** position, the **quill support arm** must be close to the **screw** as shown in Figure 4.



VZVVZW



F-001106M

ASSEMBLY

HOW TO PREPARE THE ENGINE

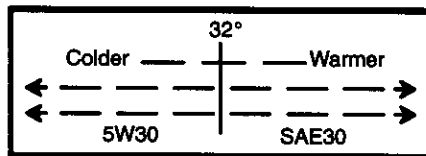
Fill With Oil

This Edger was shipped with a 20 ounce container of SAE30 motor oil. Add this oil to the engine before operating. To fill the crankcase, remove the oil fill cap/dipstick and add the SAE30 motor oil. DO NOT OVERFILL.

NOTE: The engine may contain a small amount of oil. When adding oil, frequently insert the oil fill cap/dipstick and check the amount of oil in the engine. DO NOT OVERFILL.

Oil Recommendations

Only use high quality detergent oil rated with API service classification SG. Select the oil's SAE viscosity grade according to your expected operating temperature. Although multi-viscosity oils (5W30, 10W30, etc.) improve starting in cold weather, these multi-viscosity oils will result in increased oil consumption when used above 32 degrees. Check the engine oil level more frequently to avoid possible engine damage from running the engine low on oil.



How To Add The Engine Oil

1. Put the Edger on a level surface.
2. Remove the oil fill cap (Figure 5).
3. Slowly fill the engine crankcase. DO NOT OVERFILL.

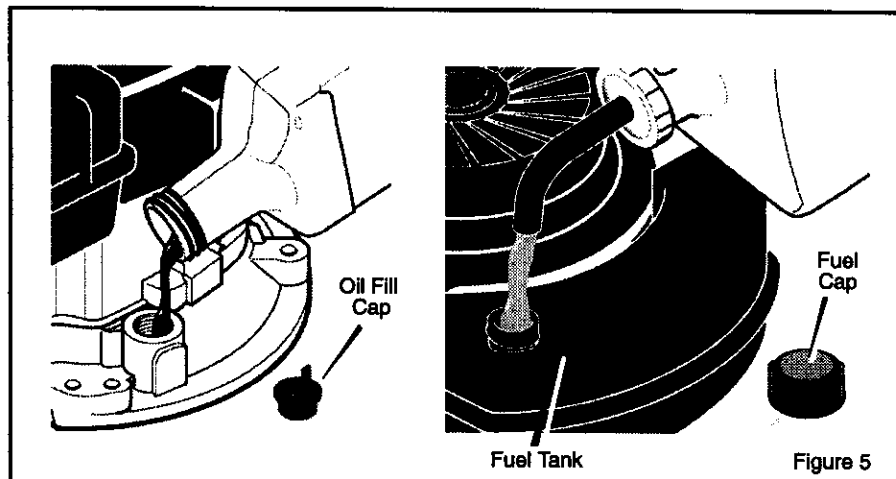
How To Fill With Gasoline

Make sure that the gasoline container is clean and free from dust or other foreign material. Never use gasoline that could be stale from long periods of storage.

1. Remove the fuel cap.
2. Fill the fuel tank with clean, fresh, unleaded grade automotive gasoline.

WARNING: Always use a safety fuel container. Do not smoke when adding the fuel mixture to the engine. When inside an enclosure, do not fill the fuel tank. Before you add the fuel mixture, stop the engine. Let the engine cool for several minutes.

NOTE: ENGINES WHICH ARE CERTIFIED TO COMPLY WITH CALIFORNIA AND US EPA EMISSION REGULATIONS FOR ULGE ENGINES, are certified to operate on regular unleaded gasoline. Include the following emission control system(s): EM, TWC (if so equipped). Include any user adjustable features – therefore no other adjustments are needed.



ASSEMBLY

✓ CHECKLIST

For the best performance and satisfaction from this quality product, please review the following checklist before you operate the Edger:

- ✓ All assembly instructions have been completed.
- ✓ Check carton. Make sure no loose parts remain in the carton.
- ✓ All fasteners have been properly tightened.

As you learn how to use the Edger, pay extra attention to the following important items:

- ✓✓ Engine oil is at proper level.
- ✓✓ Fuel tank is filled with a fresh, clean, regular Unleaded gasoline.
- ✓✓ Become familiar and understand the function of all controls. Before your start the engine, operate all controls.

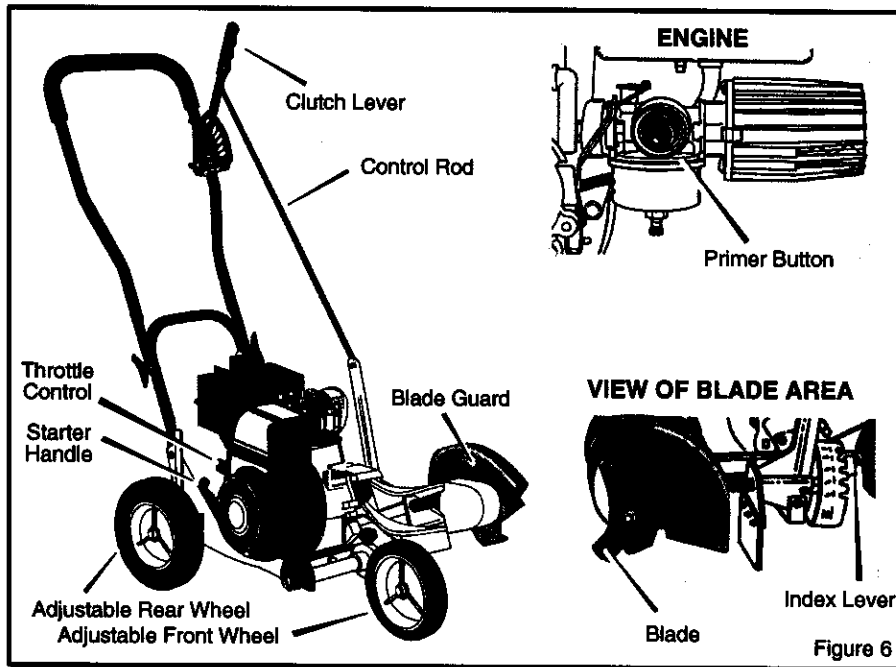
IMPORTANT: This unit is equipped with an internal combustion engine and must not be used on or near any unimproved forest-covered, brush-covered or grass-covered land unless the engine's exhaust system is equipped with a spark arrester meeting applicable local or state laws (if any). If a spark arrester is used, it must be maintained in effective working order by the operator.

In the State of California the above is required by law (Section 4442 of the California Public Resources Code). Other states may have similar laws. Federal laws apply on federal lands. A spark arrester/muffler is available through your nearest Sears Service Center (see the REPAIR PARTS section in this manual).

OPERATION

KNOW YOUR EDGER

READ THE OWNER'S MANUAL AND ALL SAFETY RULES BEFORE YOU OPERATE the Edger. To familiarize yourself with the location of the controls, compare the illustrations with your Edger. Save this manual for future reference.



Throttle Control – Controls the engine speed.

Primer Button – Injects fuel directly into the carburetor for faster starts.

Clutch Lever – Use to start and stop the blade and control the depth of cut.

Adjustable Rear Wheel – Right rear wheel is adjustable to level the Edger when edging along a curb (curb-hopping).

Adjustable Front Wheel – Front wheel is adjustable from side-to-side for balance.

The front wheel can also be adjusted down for curb-hopping .

Recoil Starter Handle – The engine is equipped with an easy pull recoil starter.

Blade Guard – Use to prevent stones or other material from being thrown at the operator.

Index Lever – Permits adjustment from the edging (vertical) position to the trimming (horizontal) position. To change position, pull the index lever and rotate the quill assembly to the desired angle or position.

EYE PROTECTION

Always wear safety glasses. If you wear eye glasses, put a Wide Vision Safety Mask over your eye glasses.



WARNING: Debris thrown from the Edger can result in foreign objects being thrown into the eyes, which can cause severe eye damage. Always wear safety glasses or eye shields when operating the Edger.

OPERATION

HOW TO STOP THE EDGER

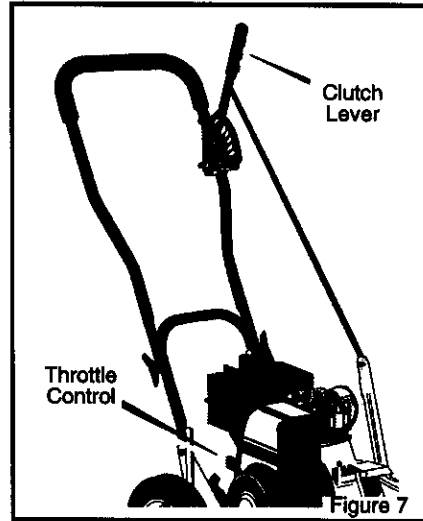
1. Move the **clutch lever** back to the **DIS-ENGAGED** position. Then, move the **throttle control** to the **STOP** position. See Figure 7.



WARNING: Never leave the **EDGER** unattended while the engine is running. Always **dis-engage** the cutting blade and stop the engine.

HOW TO USE THE THROTTLE CONTROL

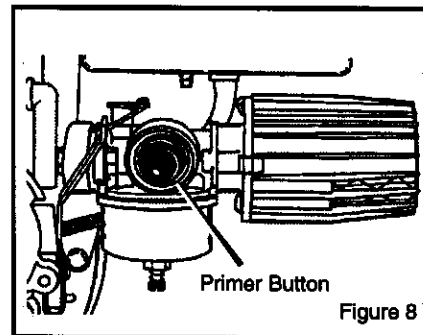
1. During normal use, run the engine at full speed.
2. Move the **throttle control** up to increase engine speed, or down to decrease engine speed (see Figure 7).



HOW TO USE THE PRIMER BUTTON

When starting a cold engine, push the **primer button** five times (see Figure 8). Wait approximately two seconds between each push.

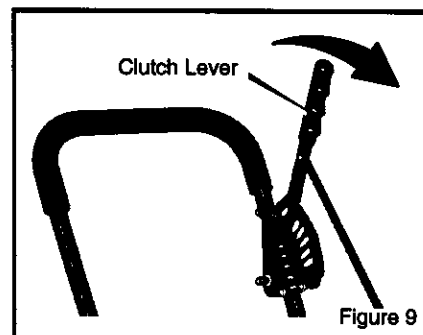
IMPORTANT: When starting a warm engine, do not use the primer button.



HOW TO USE THE CLUTCH LEVER

1. Start the engine.
2. To engage the cutting blade, move the **clutch lever** forward (see Figure 9).
3. Select the edging depth you need. There are five selections down to approximately 2-3/4 inches deep.

NOTE: For deep edging, first cut at shallow depths. Then, cut at greater depths until the desired depth is obtained.



OPERATION

HOW TO USE THE INDEX LEVER

1. Stop the engine and disconnect the spark plug wire from the spark plug.
2. Loosen the front wheel knob shown in Figure 10. Slide the front wheel all the way to the right side.
3. Securely tighten the front wheel knob.
NOTE: To prevent the blade from hitting the wheel while trimming, make sure the front wheel is set in the extreme right position.
4. Disengage the index lever (see Figure 11). Move the index lever to the notch marked 90°.
5. Reconnect the spark plug wire to the spark plug.
6. Start the engine.
7. Move the clutch lever to the desired trimming height.



WARNING: While the engine is running, never leave the Edger. Before you adjust the wheels or change the blade position, always disengage the cutting blade and stop the engine.

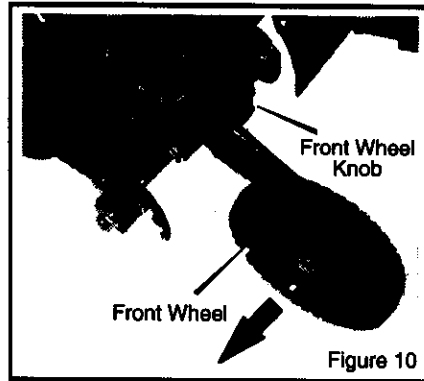


Figure 10

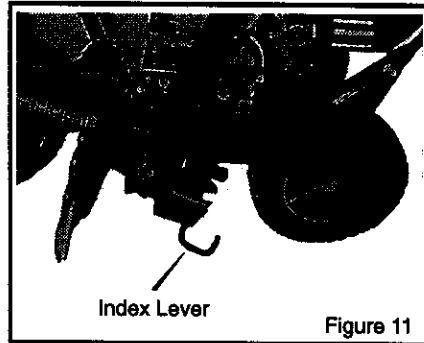


Figure 11

OPERATION

HOW TO USE THE CURB-HOPPING FEATURE

Because the front wheel and the right rear wheel are adjustable, the Edger can be used on uneven surfaces, such as the curb shown in Figure 12. Set the wheel positions as follows.

1. Stop the engine.
2. Disconnect the spark plug wire from the spark plug.
3. Loosen the front wheel knob.
4. Slide the front wheel to the best position to clear the curb and balance the unit.
5. Securely tighten the front wheel knob.
6. Use the curb height adjust lever to lower the front wheel. Lower the front

wheel until the front wheel is level with the left rear wheel and the unit is setting on the curb as shown in Figure 12.

7. Loosen the rear wheel knob.
8. Lower the right rear wheel until the Edger is level and the left rear wheel is on the curb.
9. Securely tighten the rear wheel knob.
10. Connect the spark plug wire to the spark plug.



WARNING: Keep away from the rotating blade. The blade can cause injury.

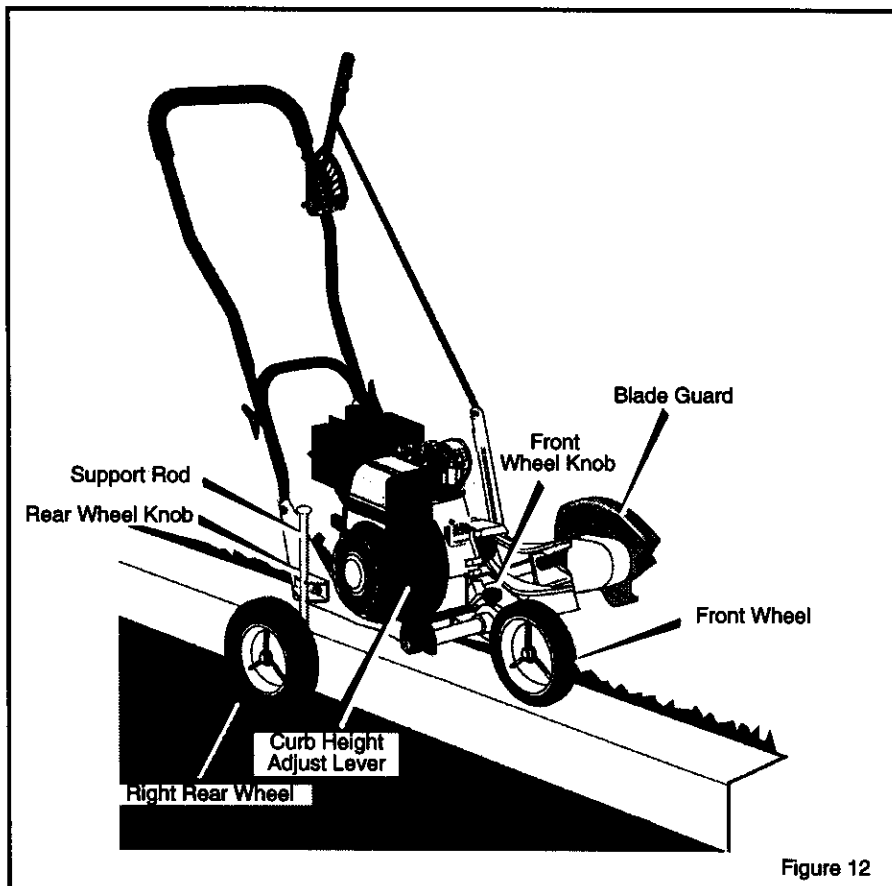


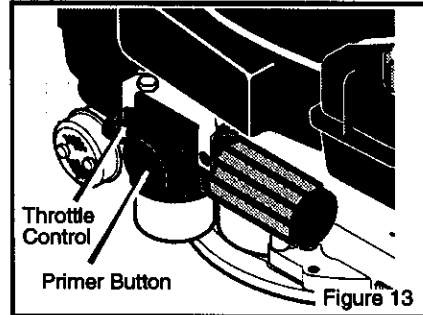
Figure 12

OPERATION

HOW TO STOP THE ENGINE

To stop the engine, move the clutch lever all the way back to the DISENGAGED position. Then, push the throttle control lever down to the STOP position.

If the engine will not stop, hold a screwdriver against the spark plug and against the engine cooling fins. The spark will go to ground and the engine will stop.



HOW TO START THE ENGINE

IMPORTANT: Before you start the engine, operate the controls several times. Make sure all controls move freely.

1. Check the oil.
2. Fill the fuel tank with regular unleaded gasoline. Make sure the gasoline is clean. Leaded gasoline will increase deposits and shorten the life of the valves.

NOTE: Do not use gasohol or methanol. Do not use premium unleaded gasoline.



WARNING: Always use a safety gasoline container. Do not smoke when adding gasoline to the fuel tank. When inside an enclosure, do not add gasoline. Before you add gasoline, stop the engine and let the engine cool for several minutes.

3. Make sure the spark plug wire is connected to the spark plug.
4. Pull the clutch lever all the way back to raise and disengage the blade.
5. Move the throttle control lever to the FAST position.
6. Some models have a primer button on the front or side of the engine (Figure 13). Every time you push the primer button, wait two seconds. For the number of times required to push the primer button, see the engine manufacturer's instructions.

F-001106M

NOTE: Do not use the primer button to start a warm engine.

7. To start engine, hold the recoil starter handle firmly with your right hand.
8. Hold the edger handle firmly with your left hand.
9. Quickly pull the recoil starter handle. DO NOT allow the starter rope to snap back. Let the starter rope slowly rewind. If engine fails to start after three pulls, push primer button two times and again pull the recoil starter handle.
10. When the engine starts, move the throttle control lever up (FAST position) to increase speed or down to decrease speed. During normal use keep the throttle in the FAST position.
11. If the engine does not start in 5 or 6 tries, See the "Problem and Repair" instructions.

NOTE: The cutting blade speed is controlled by the engine speed. To reduce the cutting blade speed, push down on the throttle control lever. To increase the cutting blade speed, pull up on the throttle control lever.



WARNING: Never run the engine indoors or in a poorly ventilated area. Engine exhaust contains carbon monoxide, an odorless and deadly gas. Keep hands, feet, hair and loose clothing away from any moving parts. Avoid the muffler and surrounding areas. Temperatures can exceed 150 degrees.

OPERATION

EDGING TIPS

- Edging is best performed when conditions are dry. If the soil is too wet, dirt becomes packed around the blade causing premature belt wear and decreased performance.
- If dirt does become packed around the blade, stop the engine and remove the wire from the spark plug. Remove the packed dirt and debris from the blade.
- For deep edging, first cut at shallow depths. Then, cut at greater depths until the desired depth is obtained.
- For uniform edging, make sure the blade guide rides on the surface.
- Edging can be customized by varying the number of passes and by the distance the blade is from the surface.



WARNING: Read the Owner's manual. Know location and functions of all controls. Keep all safety devices and shields in place. Never allow children or uninstructed adults to operate Edger. Shut off engine before unclogging blade or making repairs. Keep bystanders away from machine. Keep away from the blade all rotating parts, which cause injury.

MAINTENANCE

CUSTOMER RESPONSIBILITIES

SERVICE RECORDS Fill in dates as you complete regular service.	Before Each Use	Often	Every 10 Hours	Every 25 Hours	Before Each Season	Before Storage	SERVICE DATES
Lubricate All Pivot Points			√			√	
Lubricate Wheel Axles				√		√	
Check Engine Oil Level	√						
Change Engine Oil				√	√		
Replace Air Cleaner Filter					√		
Check Spark Plug				√	√		
Check Drive Belt		√					
Tighten All Fasteners		√					
Check Blade For Wear Or Damage		√					
Lubricate Quill Rod/ tube			√		√	√	

PRODUCT SPECIFICATIONS

Model No.: 536.772400
Date Of Purchase:
Horse Power: 3.5
Displacement: 10 cu. in. (163 cc.)
Oil Capacity: 20 oz. SAE-30W
Spark Plug: Champion RJ17LM
Spark Plug Gap: 0.030 inch

GENERAL RECOMMENDATIONS

The warranty on this Edger does not cover items that have been subjected to operator abuse or negligence. To receive full value from the warranty, the operator must maintain the Edger as instructed in this manual.

Some adjustments must be made periodically to properly maintain your Edger.

All adjustments in the Service and Adjustments section of this manual must be checked at least once each season.

MAINTENANCE

LUBRICATION

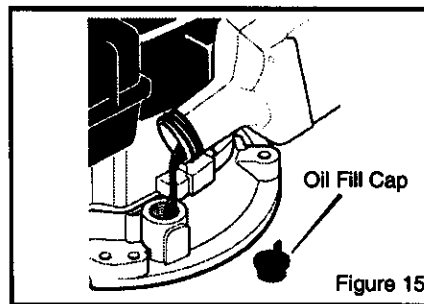
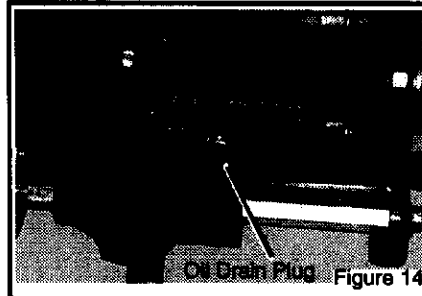
After each 25 hours, apply a small amount of engine oil to all moving parts, particularly the wheels.

How To Change The Engine Oil

Change the oil in the engine crankcase after each 25 hours of use.

NOTE: The oil will drain more freely when the engine is warm.

1. Disconnect the spark plug wire from the spark plug.
2. Remove the oil drain plug (see Figure 14). Drain the oil into a flat pan.
3. After draining all the oil, install and tighten the oil drain plug.
4. Remove the oil fill cap (see Figure 15). Fill the engine crankcase. Pour slowly. Do not overfill. See "Product Specifications" for amount and type of oil. Install the oil fill cap.
5. Connect the spark plug wire to the spark plug.



HOW TO CHANGE THE AIR FILTER

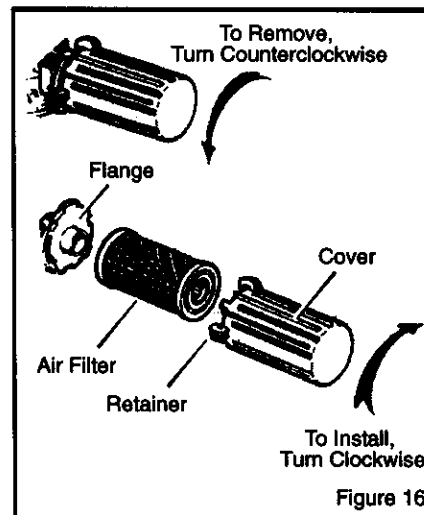
Replace the air filter once a year; more often in dusty or dirty conditions.

NOTE: DO NOT clean or oil the air filter. The air filter is not serviceable and must be replaced.

1. Disconnect the spark plug wire from the spark plug.
2. Turn the cover to the left (counterclockwise). Remove the cover and the air filter from the flange. (see Figure 16).
3. Discard the air filter.
4. Clean the cover and the flange.
5. Install a new air filter into the cover.
6. Push the cover firmly against the flange. Turn the cover to the right (clockwise) until tight. Make sure the retainers are locked around the flange.
7. Connect the spark plug wire to the spark plug.

F-001106M

CAUTION: Never run the engine without the air filter. A defective air filter will cause a loss of engine power. If dirt or dust enters the engine through the carburetor, the result will be excessive wear or damage to the engine. Replace a damaged or clogged air cleaner immediately.



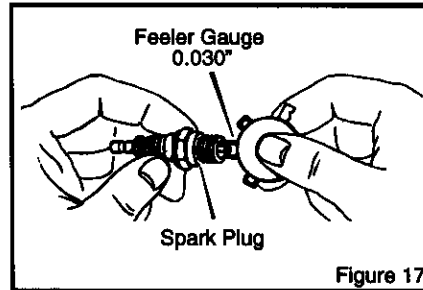
MAINTENANCE

SPARK PLUG

Check the **spark plug** every 25 hours. Replace the **spark plug** if the electrodes are pitted, burned, or if the porcelain is cracked.

1. Make sure the **spark plug** is clean. Clean the **spark plug** by carefully scraping the electrodes (do not sand blast or use a wire brush).
2. Check the **spark plug** gap with a **feeler gauge**.
3. Before installing the **spark plug**, coat the threads lightly with oil for easy re-

moval. Tighten the spark plug to a torque of 15 foot-pounds.



CARBURETOR ADJUSTMENT

Never make unnecessary adjustments to the carburetor. The carburetor was set at the factory to operate efficiently under most applications. However, if adjustments are required, we recommend you contact your nearest Sears Service Center.



WARNING: The engine governor is set at the factory. Do not change the governor setting.

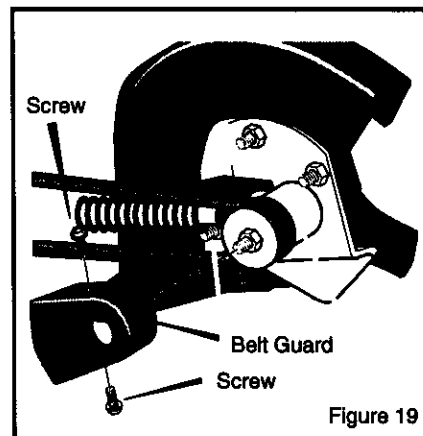
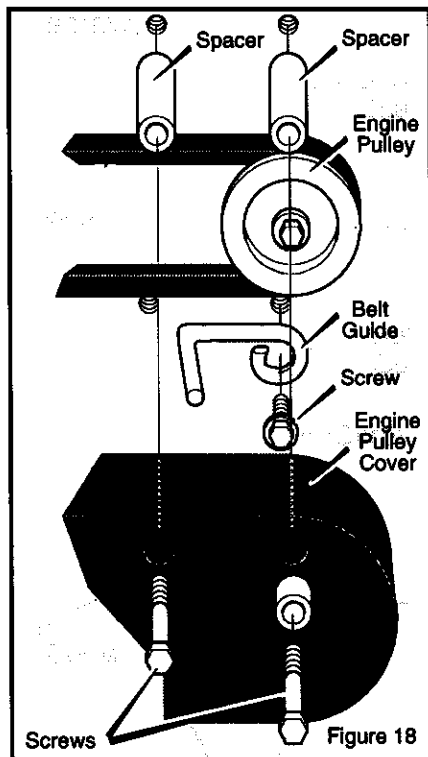
Over speeding the engine above the factory setting can be dangerous. If you think the engine governor needs an adjustment, contact your nearest Sears Service Center.

SERVICE AND ADJUSTMENT

HOW TO REMOVE THE BELT

The belt made of a special compound. If the belt becomes worn or breaks, replace the belt with an original equipment belt.

1. Disconnect the spark plug wire from the spark plug.
2. Pull the clutch lever back to release the tension from the belt.
3. Remove the two screws and spacers from the top of the engine pulley cover. Remove the engine pulley cover (see Figure 18).
4. Loosen, do not remove, the screw that holds the belt guide. Then, move the belt guide away from the belt.
5. Remove the two screws from the belt guard (see Figure 19).
6. Remove the old belt from the engine and quill assembly pulleys. Replace with an original equipment belt.
7. To install a new belt, reverse the above steps.



SERVICE AND ADJUSTMENT

HOW TO REPLACE THE BLADE

The blade is subject to wear and damage, such as nicks and dents. This will not generally affect its function.

The blade is designed to not require sharpening. Do not attempt to sharpen the blade. The blade is also reversible. If nicks or dents are excessive, remove the blade and turn it around. This will provide a fresh cutting edge. Replace the blade if both sides are worn or damaged.



WARNING: Do not sharpen the blade. Sharpening can damage the blade and cause it to break, which can cause injury to yourself or to others.

To replace the blade, follow the steps below.

1. Disconnect the spark plug wire from the spark plug.
2. Remove the **blade locknut** that holds the **blade** to the drive shaft.



WARNING: To remove or tighten the blade locknut, always use the method shown in Figure 20. Always position the holding wrench on the nut behind the blade.

3. Remove the **blade**.
4. Install a new **blade** and **blade locknut**. Tighten the **blade locknut** to a torque of 40–45 foot pounds.
5. Connect the spark plug wire to the spark plug.

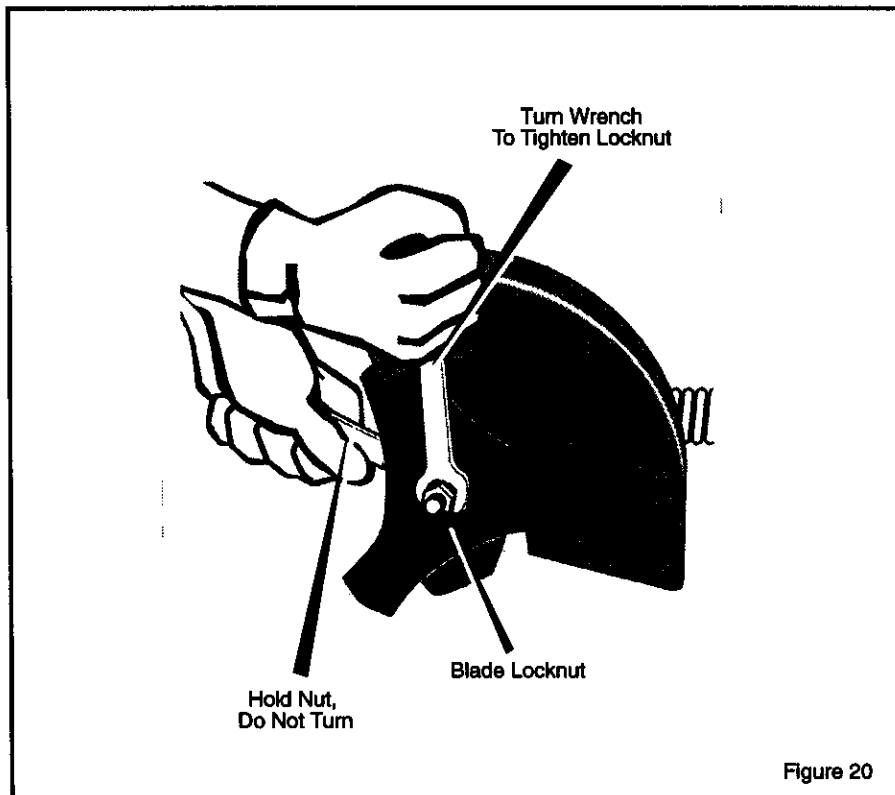


Figure 20

SERVICE AND ADJUSTMENT

STORAGE



WARNING: Never store the Edger indoors with fuel in the fuel tank. Never store in an enclosed, poorly ventilated area where fumes could reach an open flame, a spark or a pilot light as on a furnace, water heater or clothes dryer.



WARNING: Do not remove gasoline while inside a building, near a fire, or while you smoke. Gasoline fumes can cause an explosion or a fire.

When the Edger is put in storage for thirty days or more, follow the steps below to make sure the Edger is in good condition the following season.

Edger

- Completely clean the Edger.
- Check the Edger for worn or damaged parts. Tighten all loose hardware.
- Apply a small amount of engine oil to all moving parts, particularly the wheels.
- Put the Edger in a building that has good ventilation.
- Cover the Edger with a suitable protective cover that does not retain moisture. Do not use plastic.

IMPORTANT: Never cover the Edger while the engine and exhaust areas are still warm.

NOTE: A yearly checkup or tune-up by a Sears Service Center is a good way to make sure that your Edger will provide maximum performance for the next season.

Engine

IMPORTANT: It is important to prevent gum deposits from forming in fuel system

parts such as the carburetor, fuel filter, fuel hose, and tank during storage. Also, using alcohol-blended fuels (called gasohol, ethanol or methanol) can attract moisture which leads to separation and formation of acids during storage. Acidic gas can damage the fuel system of an engine while in storage.

To prevent engine damage when the Edger is in storage for 30 days or more, follow the steps below:

- Let the engine run until it is out of gasoline.
- If you do not want to remove the gasoline, add a fuel stabilizer to any gasoline left in the fuel tank. A fuel stabilizer will minimize gum deposits and acids. If the fuel tank is almost empty, mix the fuel stabilizer with fresh gasoline in a separate container and add the mixture to the fuel tank. Always follow the instructions on the stabilizer container. Start the engine. Let the engine run for 10 minutes to allow the mixture to reach the carburetor.
- Change the engine oil. See "How To Change The Engine Oil" in the Maintenance section.
- Lubricate the piston/cylinder area. This can be done by first removing the spark plug and squirting a small amount of clean engine oil into the spark plug hole. Then, cover the spark plug hole with a rag to absorb oil spray. Next, rotate the engine by pulling the starter two or three times. Finally, install the spark plug and attach the spark plug wire.
- Store the Edger in the operating position with the wheels down. If the Edger is stored in any other position, oil from the crankcase will enter the cylinder and cause a service problem.

TROUBLE SHOOTING CHART

TROUBLE	CAUSE	CORRECTION
Engine difficult to start or Engine runs erratically or Engine will not run at full speed	Stale fuel	Drain fuel tank. Fill with fresh fuel.
	Clogged fuel filter	Replace fuel filter
	Dirt in fuel tank or out of fuel	Clean fuel tank.
	Carburetor out of adjustment	Take unit to a Sears Service Center.
	Fouled spark plug	Clean and set spark plug gap.
	Dirty air filter	Replace air filter.
Engine smokes excessively	Plugged air filter	Replace air filter.
Cutting blade will not rotate	Debris interfering with blade	Clean debris from blade.
	Loose blade	Tighten blade nut.
	Defective V-belt	Replace V-belt.
Blade will not cut properly	Defective quill bearings	Replace the quill assembly.
	Damage or worn blade	Reverse the blade or replace the blade.
Excessive vibration	Loose parts	Stop engine immediately. Tighten all fasteners. If vibration continues, take the unit to a Sears Service Center.