

**Kenmore**

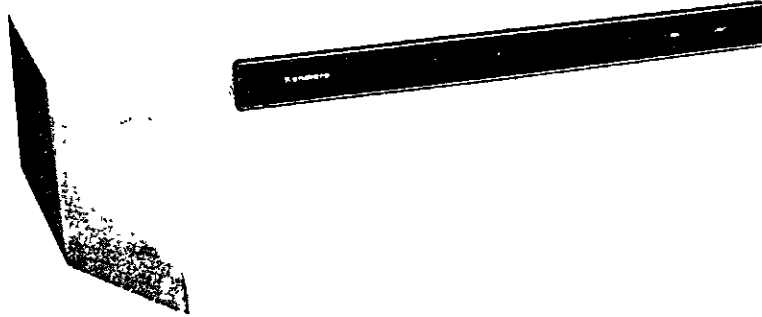
# operating instructions and parts list

## Kenmore RANGE HOOD

### STOCK NUMBERS

#### 30-INCH

White	51891
Almond	51898
Stainless	51899

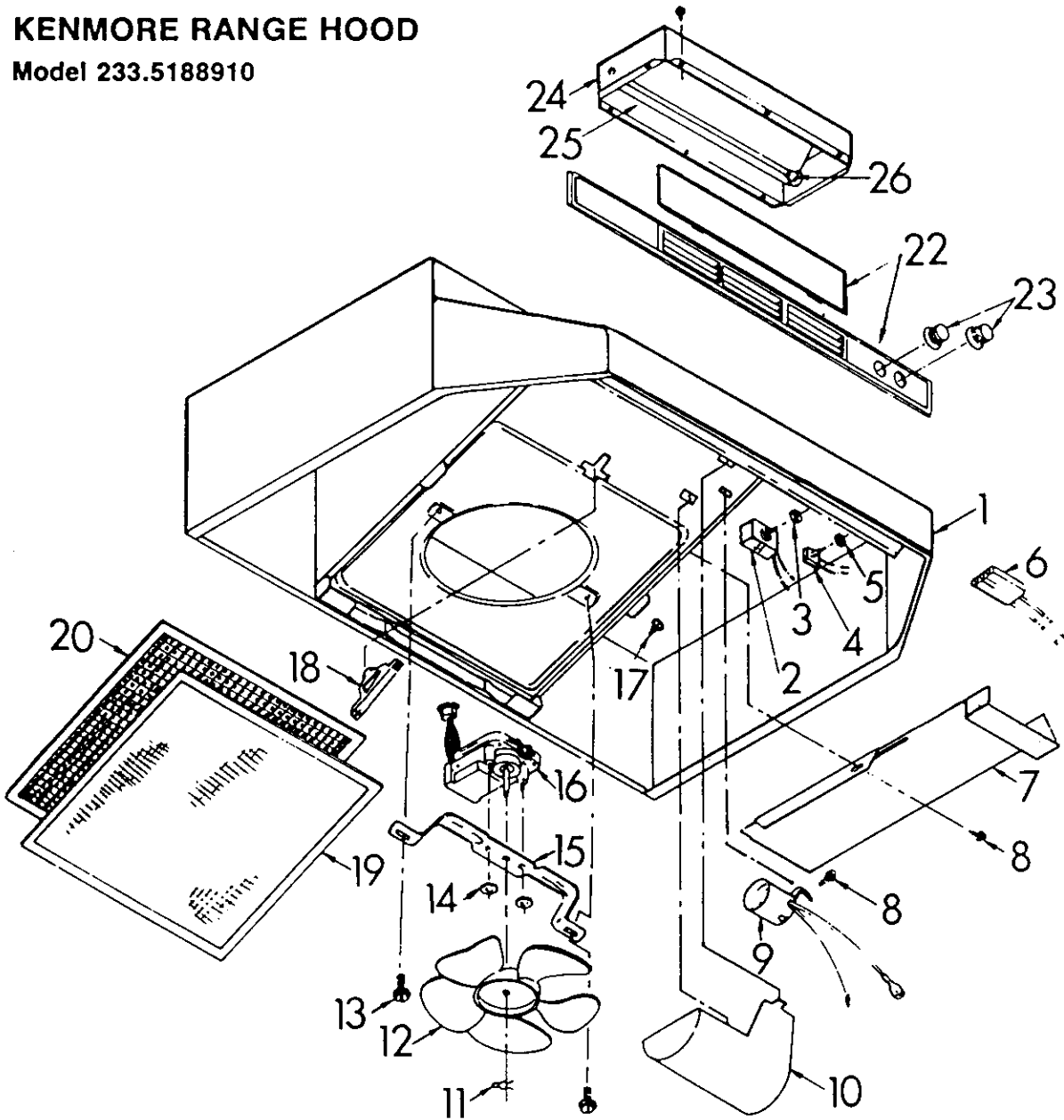


**IMPORTANT** Read instruction  
carefully for safe installation and  
operation

**SAVE THIS MANUAL FOR  
FUTURE REFERENCE**

**Kenmore. Solid as SEARS**  
Sold by Sears, Roebuck and Co., Chicago, IL 60684

**KENMORE RANGE HOOD**  
Model 233.5188910



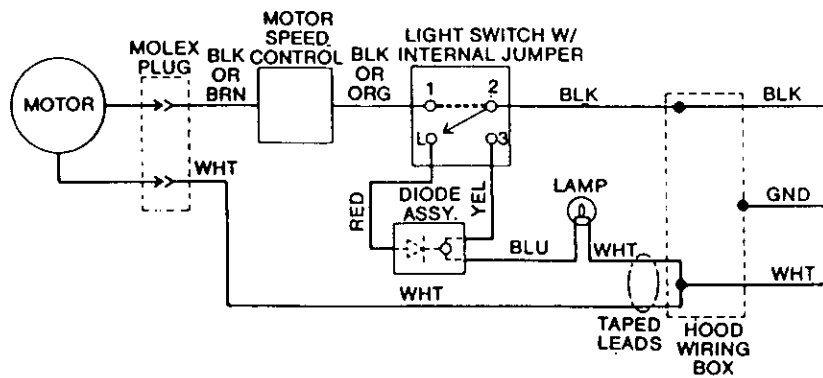
KEY NO.	PART NO.	DESCRIPTION
1	97009042	Canopy - 30" White
	97009043	Canopy - 30" Almond
	97009044	Canopy - 30" Stainless
2	97007159	Solid State Motor Switch
3	99260422	Nut 3/8 - 32*
4	97007499	Light Switch
5	99260470	Nut 15/32-32 for Light Switch*
6	97005678	Motor Receptacle w/Wires
7	97006184	Outlet Box Cover
8	99150478	Sheet Metal Screw 8-18 x 3/8 Phil Truss*
9	97005675	Bulb Holder w/Wires
10	99110437	Light Lens
11	99420040	Blade Retaining Clip
12	99020123	Fan Blade
13	99160304	Machine Screw 10-24 x 3/8*
14	99260428	Locknut 6-32*
15	98005568	Motor Mounting Bracket
16	99080198	Motor
17	99150471	Self-tapping screw 10-32 x 1/2 Green Binder*
18	99420472	Filter Retaining Clip
19	97006931	Aluminum Filter
20	97007996	Clean Cooking System I Filter
22	97008998	Plastic Nameplate Assembly
23	99360118	Knob
24	97005544	Damper Assembly (Includes Key Nos. 25 & 26)
25	98005221	Damper Flap
26	99100379	Damper Bushing
**	97008257	Sheet Metal Nuts (Contains 2 Nuts)
**	97007501	Diode Assembly
**	99041318	Installation Instructions
**	99041321	Operation Instructions and Parts List

\*Standard Hardware. May be purchased locally.

\*\*Not Illustrated.

\*\*\*Not furnished with hood. For use in ventless configuration only.

### WIRING DIAGRAM



Note - If any of the original wire on the hood has to be replaced, it should be replaced by wiring having equivalent insulation and temperature rating (105°C Thermoplastic AWM, U.L. Listed).