

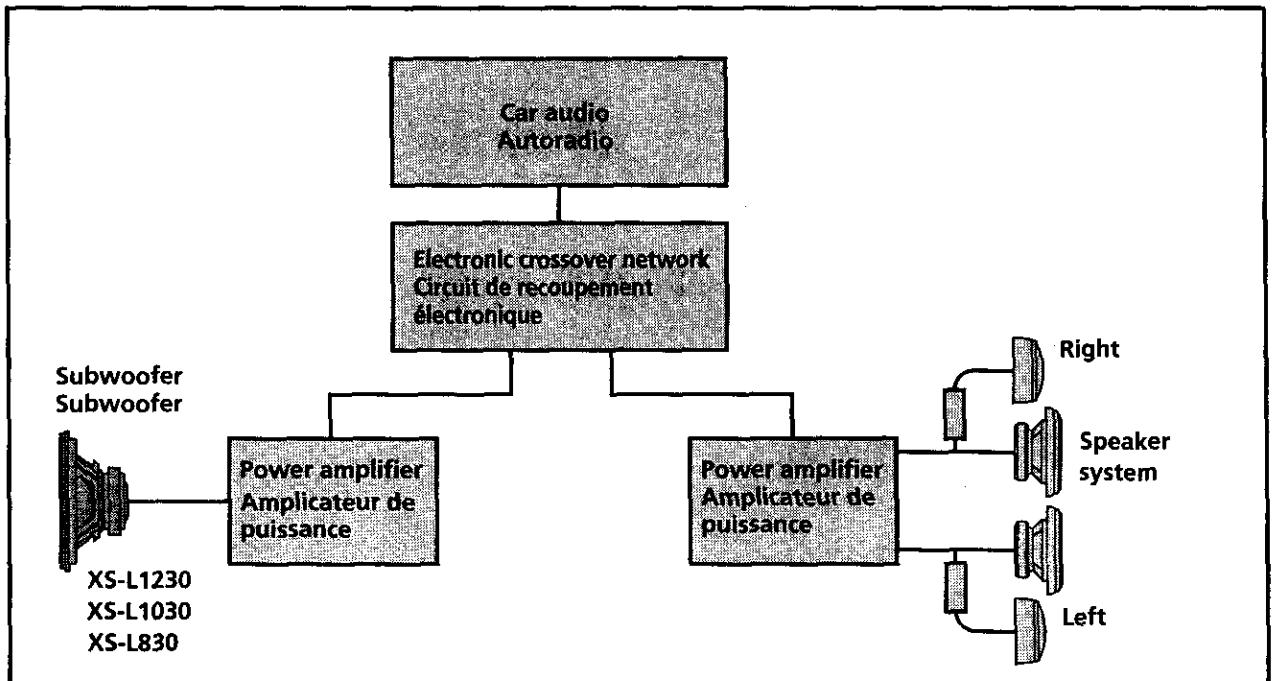
## Subwoofer

Installation/Connectivity: **BOOK**

### XS-L1230/L1030/L830

Sony Corporation © 1999 - Printed in TAIWAN, R.O.C.

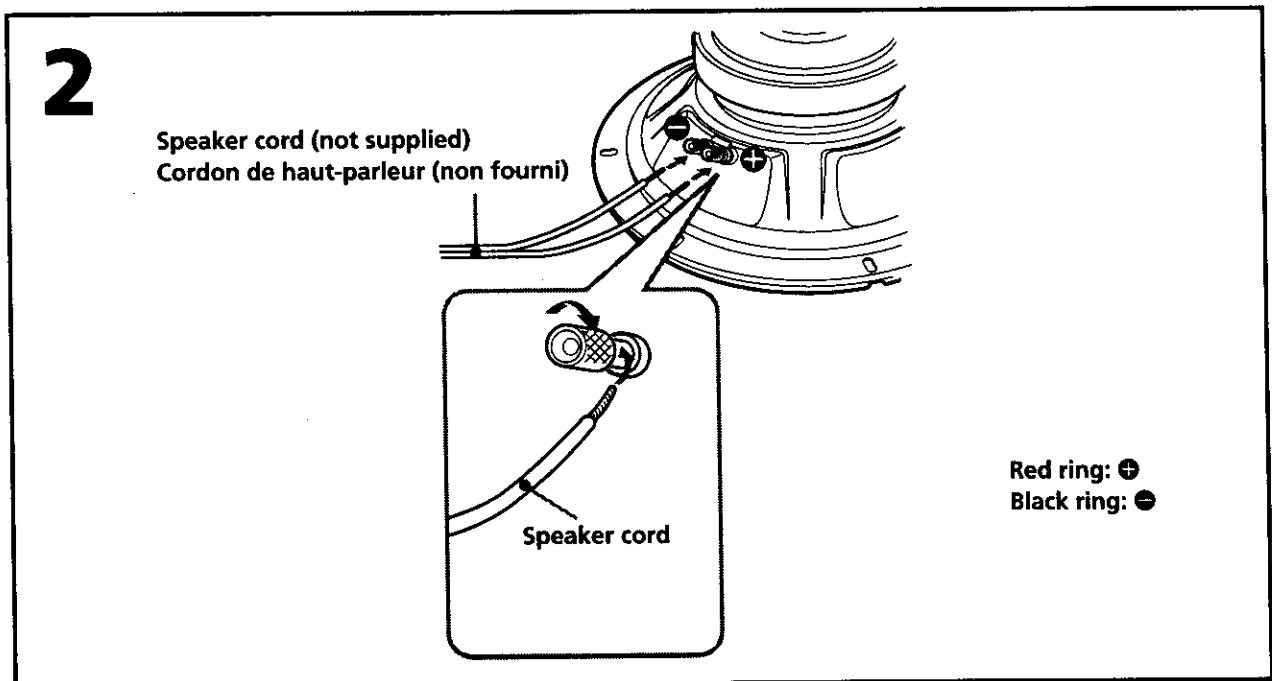
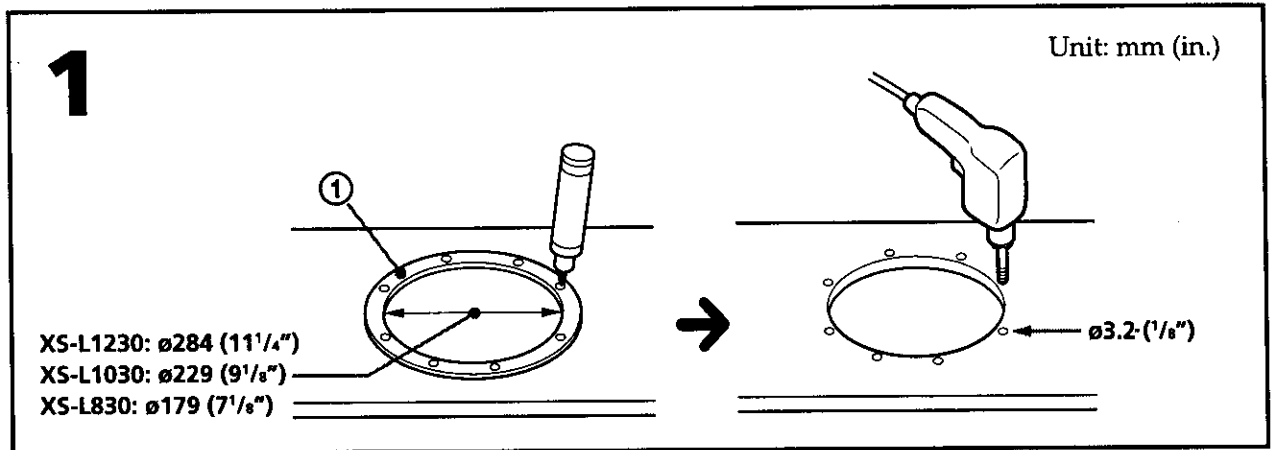
### Connections



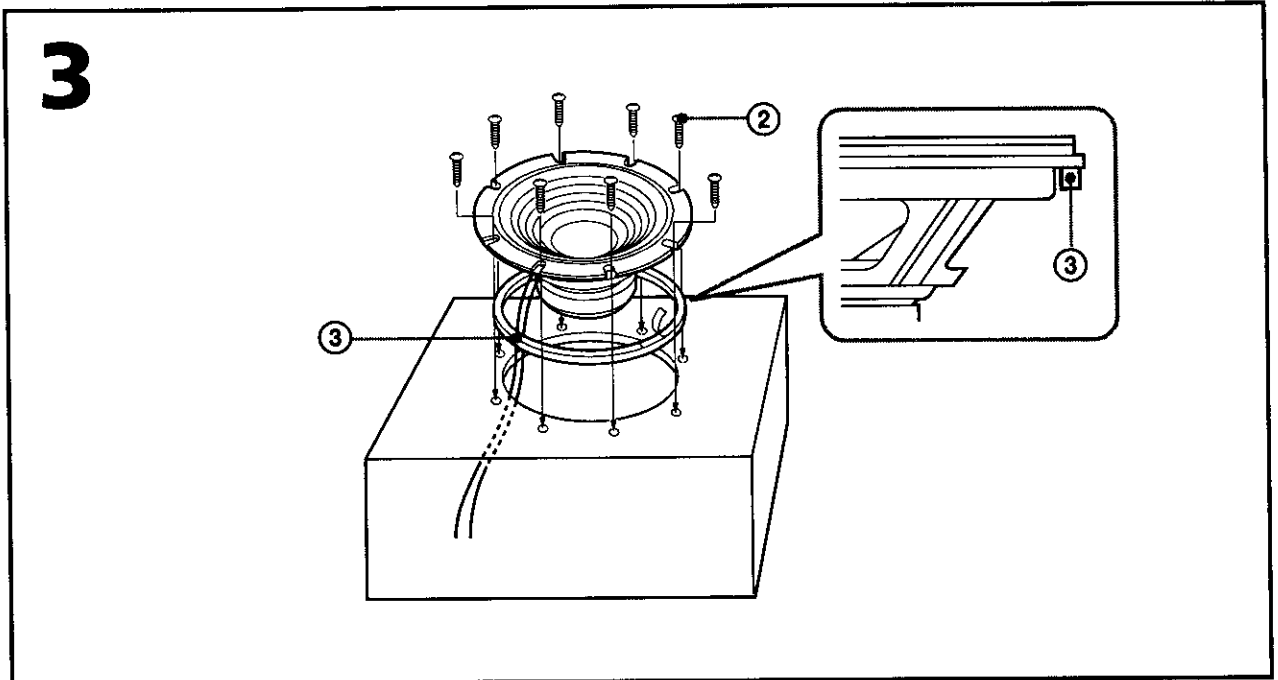
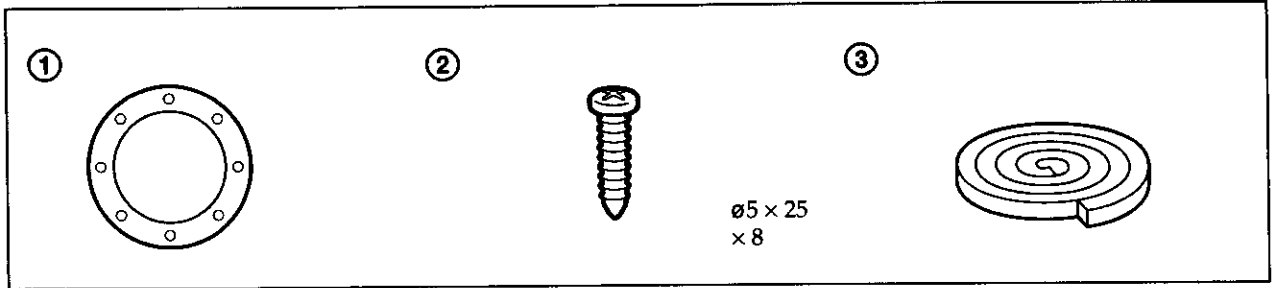
# Installation

## Precautions

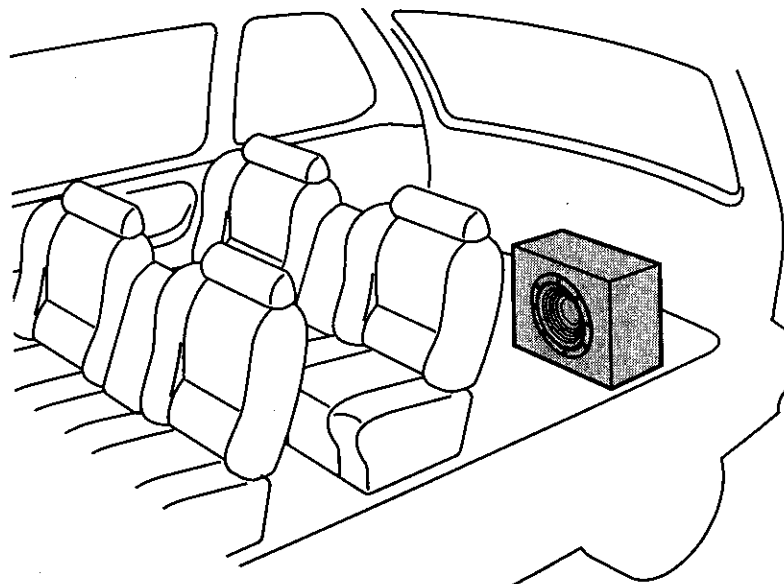
- Be careful not to operate the speaker system with power exceeding its the power handling capacity.
- Keep recorded tapes, watches, and credit cards, etc. with magnetic coding away from the speaker system to prevent damage caused by the magnets in the speakers.
- When installing the unit, be careful not to damage the diaphragm by hand or tools.
- The subwoofer is heavy, so attach it firmly to a solid thick, baffle plate or metal board.



# Parts List



## Example

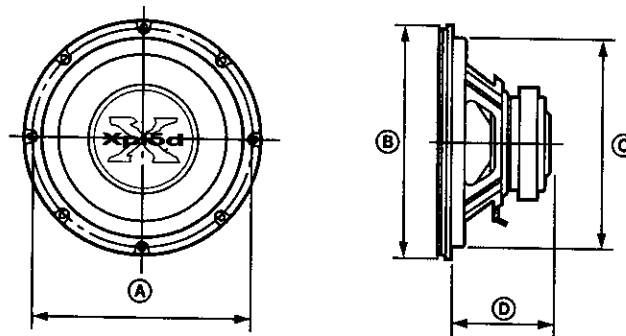


# Specifications

	<b>XS-L1230</b>	<b>XS-L1030</b>	<b>XS-L830</b>
Speaker	Woofer 30 cm (12 in.), cone type	Woofer 25 cm (10 in.), cone type	Woofer 20 cm (8 in.), cone type
Maximum input power	450 watts	400 watts	350 watts
Rated input power	150 watts	120 watts	100 watts
Impedance	4 ohms	4 ohms	4 ohms
Sensitivity	89 dB/W/m	88 dB/W/m	87 dB/W/m
Frequency response	20 – 3,000 Hz	25 – 3,500 Hz	30 – 4,000 Hz
Mass	Approx. 5.2 kg (11 lb. 8 oz.) per speaker	Approx. 3.2 kg (7 lb.) per speaker	Approx. 2.7 kg (6 lb.) per speaker
Supplied accessory	Parts for installation		

## Dimensions

Unit: mm (in.)



	<b>A</b>	<b>B</b>	<b>C</b>	<b>D</b>
XS-L1230	ø295 (11 5/8)	ø306 (12 1/8)	ø283 (11 1/4)	134 (5 3/8)
XS-L1030	ø248 (9 7/8)	ø258 (10 1/4)	ø228 (9 1/8)	118 (4 3/4)
XS-L830	ø197 (7 7/8)	ø209 (8 1/4)	ø178 (7 1/8)	99.5 (4)