

# ***16cm Coaxial 2-way Speaker***

---

Instructions

***XS-F1621***



## Precautions

- Do not continuously drive the speaker system over the power handling capacity.
- Keep recorded tapes, watches, and personal credit cards using magnetic coding away from the speaker system to protect them from damage caused by the magnets in the speakers.

If you cannot find an appropriate mounting location, consult your car dealer or your nearest Sony dealer before mounting.

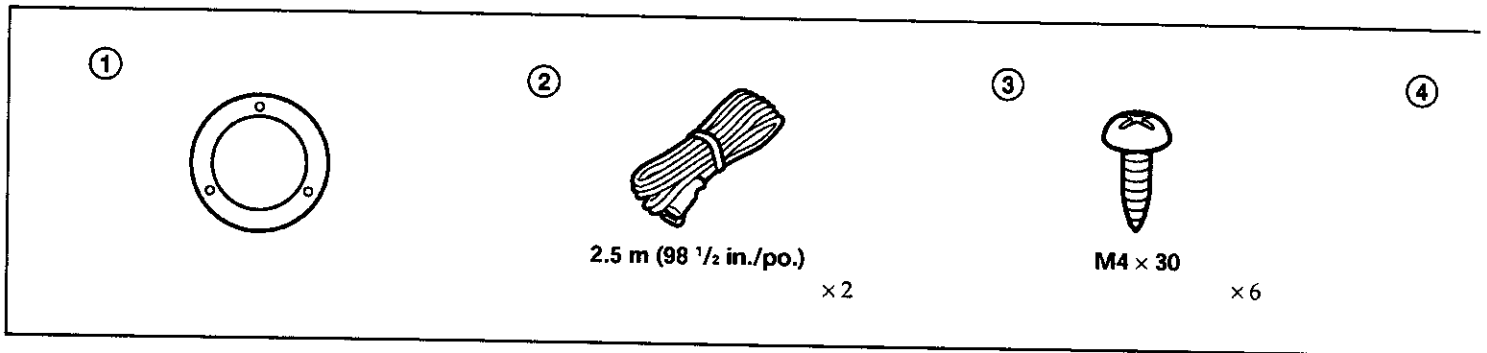
# Mounting

## Before Mounting

- A depth of at least 48 mm (1 <sup>15</sup>/<sub>16</sub> in.) is required for mounting the woofer. Keep the following in mind when choosing a mounting location.
- A hole may already be provided in the metal frame of the front door.
- **Nothing should interfere with the speaker inside the door.**
- The speaker inside the door must not come into contact with the window when it is open.
- Be careful that speakers are out of the way of the window cranks, door handles, and arm rests.

If you cannot find an appropriate mounting location, check with your car dealer or consult the nearest Sony dealer.

## Parts List

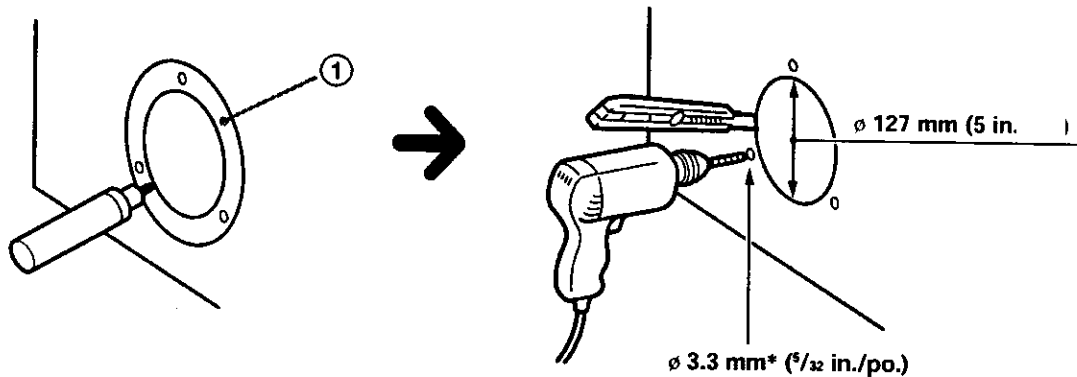


## Mounting example

1

Mark the four bolt holes. Make them 3.3 mm\* (5/32 in.) in diameter.

\*  = 5 mm (7/32 in. .)



④



x6

x6

⑤



x2

⑥



x2

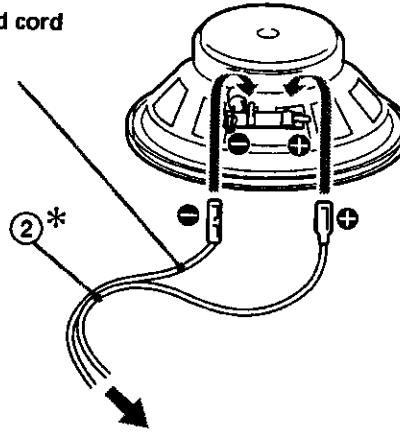


∅ 3.3 mm\* (5/32 in. .)

**3**

Black-striped cord

\* White cord — Left speaker  
Gray cord — Right speaker

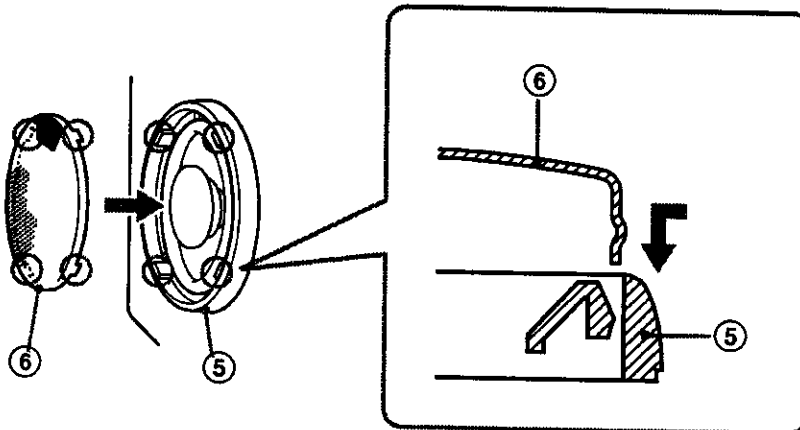


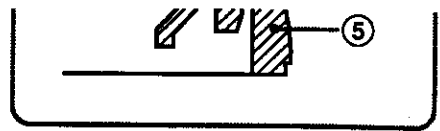
Power amplifier, etc.

**4**

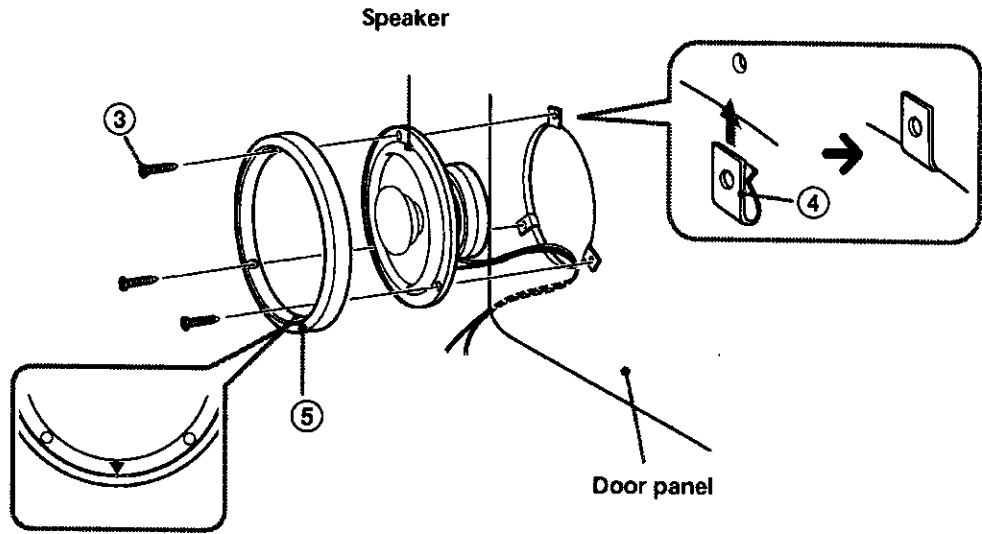
**5**

Press and insert the edges of the grille net.

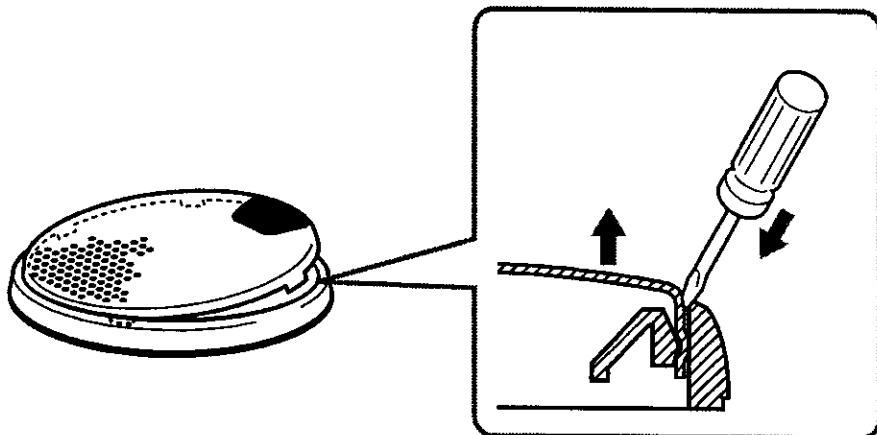




**4**



**How to remove the grille net**



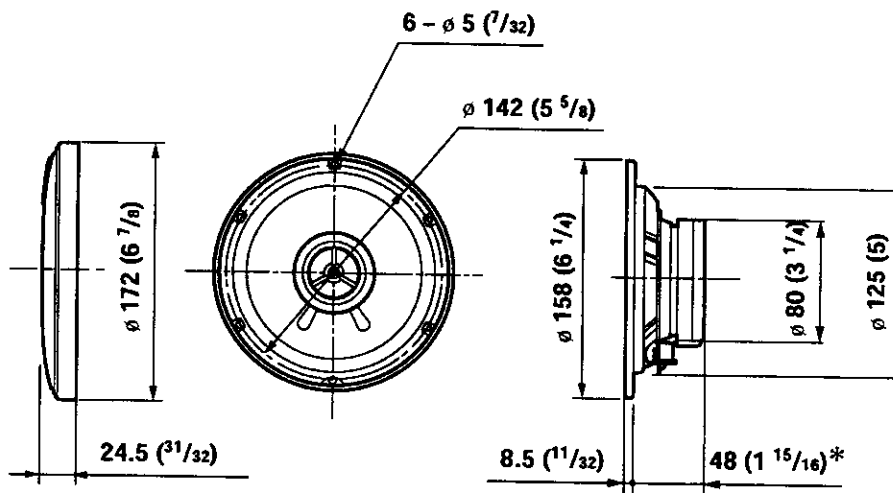
# Specifications

Speaker	Coaxial 2-way: Woofer 16 cm (6 <sup>3</sup> / <sub>8</sub> in.), polypropylene cone type Tweeter 3 cm (1 <sup>3</sup> / <sub>16</sub> in.), PEI, balance dome type
Maximum input power	140 W
Rated input power	35 W
Impedance	4 ohms
Sensitivity	90 dB/W/m
Frequency response	35 – 30,000 Hz
Mass	Approx. 675 g (1 lb. 8 oz.) per speaker

*Design and specifications are subject to change without notice.*

## Dimensions

\* Mounting depth



Unit: mm (in.)