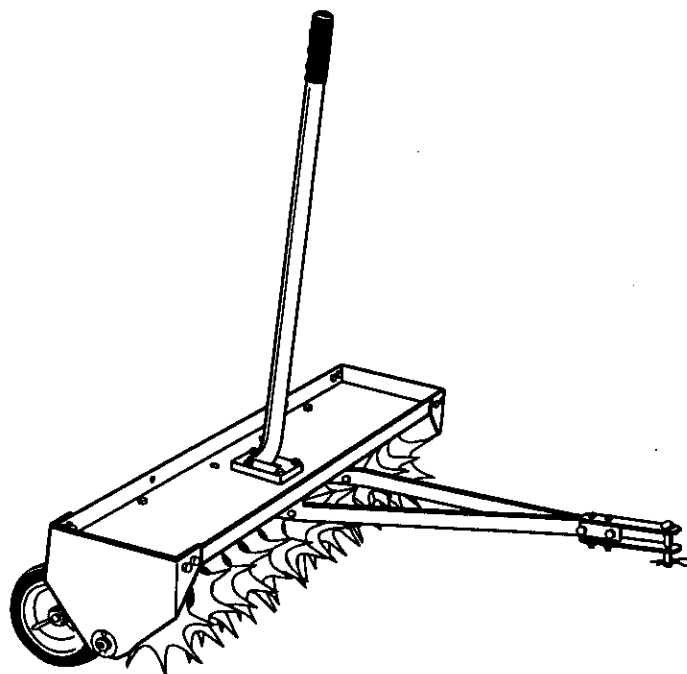


Owner's Manual

CRAFTSMAN®

48" SPIKE AERATOR

Model No. 486.24338



CAUTION:

Before using this product, read this manual and follow all Safety Rules and Operating Instructions.

- Safety
- Assembly
- Operation
- Maintenance
- Parts

Sears, Roebuck and Co., Hoffman Estates, IL 60179 U.S.A.

PRINTED IN U.S.A.

TABLE OF CONTENTS

SAFETY RULES	2	MAINTENANCE	9
FULL SIZE HARDWARE CHART	3	SERVICE AND ADJUSTMENTS	9
CARTON CONTENTS	4	STORAGE	9
ASSEMBLY	4	REPAIR PARTS	11
OPERATION	7	PARTS ORDERING/SERVICE	Back Cover

WARRANTY

LIMITED ONE YEAR WARRANTY ON 48" SPIKE AERATOR

For one year from the date of purchase, when this aerator is maintained and lubricated according to the operating and maintenance instructions in the owner's manual, Sears will repair any defect in material or workmanship free of charge. If this aeraaator is used for commercial or rental purposes, this warranty applies for only 90 days from the date of purchase.

This warranty does not cover repairs necessary because of operator negligence or abuse, including the failure to maintain the equipment according to instructions contained in the owner's manual.

WARRANTY SERVICE IS AVAILABLE BY CONTACTING THE NEAREST SEARS SERVICE CENTER/DEPARTMENT IN THE UNITED STATES.

This warranty applies only while this product is in the United States.

This warranty gives you specific legal rights, and you may also have other rights which vary from state to state.

Sears, Roebuck and Co. D/817 WA. Hoffman Estates, Chicago, IL 60179



SAFETY



Any power equipment can cause injury if operated improperly or if the user does not understand how to operate the equipment. Exercise caution at all times, when using power equipment.

- Read this owners manual carefully for operating and service instructions before attempting to assemble or operate this equipment. Be thoroughly familiar with the proper use of this equipment.
- Read the vehicle owners manual and vehicle safety rules, and know how to operate the vehicle before using this equipment.
- Never allow children to operate the tractor or aerator attachment, and do not allow adults to operate without proper instructions.
- This aerator attachment has sharp points. Always handle with care and wear substantial foot wear when operating this de-thatcher.
- Do not allow anyone to ride or sit on aerator attachment frame or on towing vehicle.
- Keep the area of operation clear of all persons, particularly small children, and also pets.
- Always begin with the transmission in first (low) gear and engine at low speed, and gradually increase speed as conditions permit.
- Vehicle braking and stability may be affected with the attachment of this equipment. Be aware of changing conditions on slopes. Refer to safety rules in the vehicle owner's manual concerning safe operation on slopes. **STAY OFF OF STEEP SLOPES.**
- Always operate up and down a slope, never across the face of a slope
- This equipment should be operated at reduced speed on rough terrain, along creeks and ditches and on hillsides, to prevent tipping and loss of control. Do not drive too close to a creek or a ditch.
- Do not tow this equipment on a highway or any other public thoroughfare.
- Follow the maintenance instructions as outlined in this owners manual.



Look for this symbol to point out important safety precautions. It mean--**Attention!! Become alert!! Your safety is involved.**

The model number and serial numbers will be found on a decal attached to the tray of the aerator.

You should record both the serial number and the date of purchase and keep in a safe place for future reference.

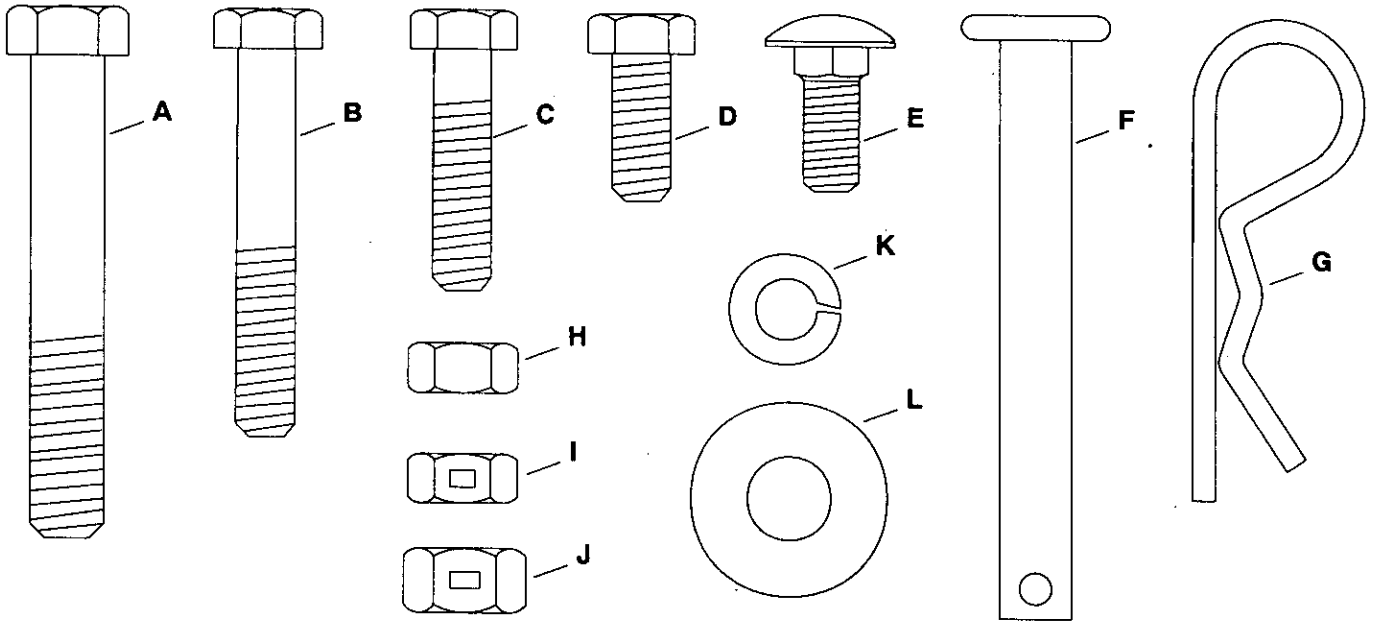
MODEL NUMBER: 486.24338

SERIAL NUMBER: _____

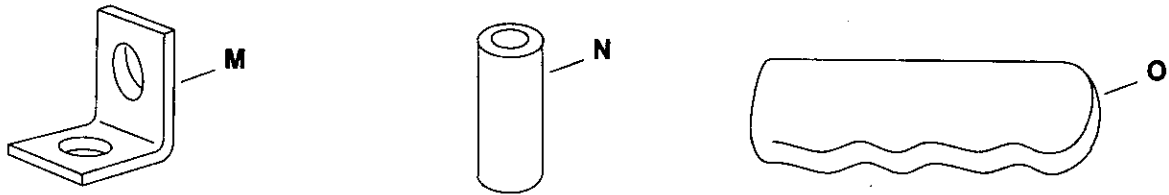
DATE OF PURCHASE: _____

HARDWARE PACKAGE CONTENTS

SHOWN FULL SIZE



NOT SHOWN FULL SIZE

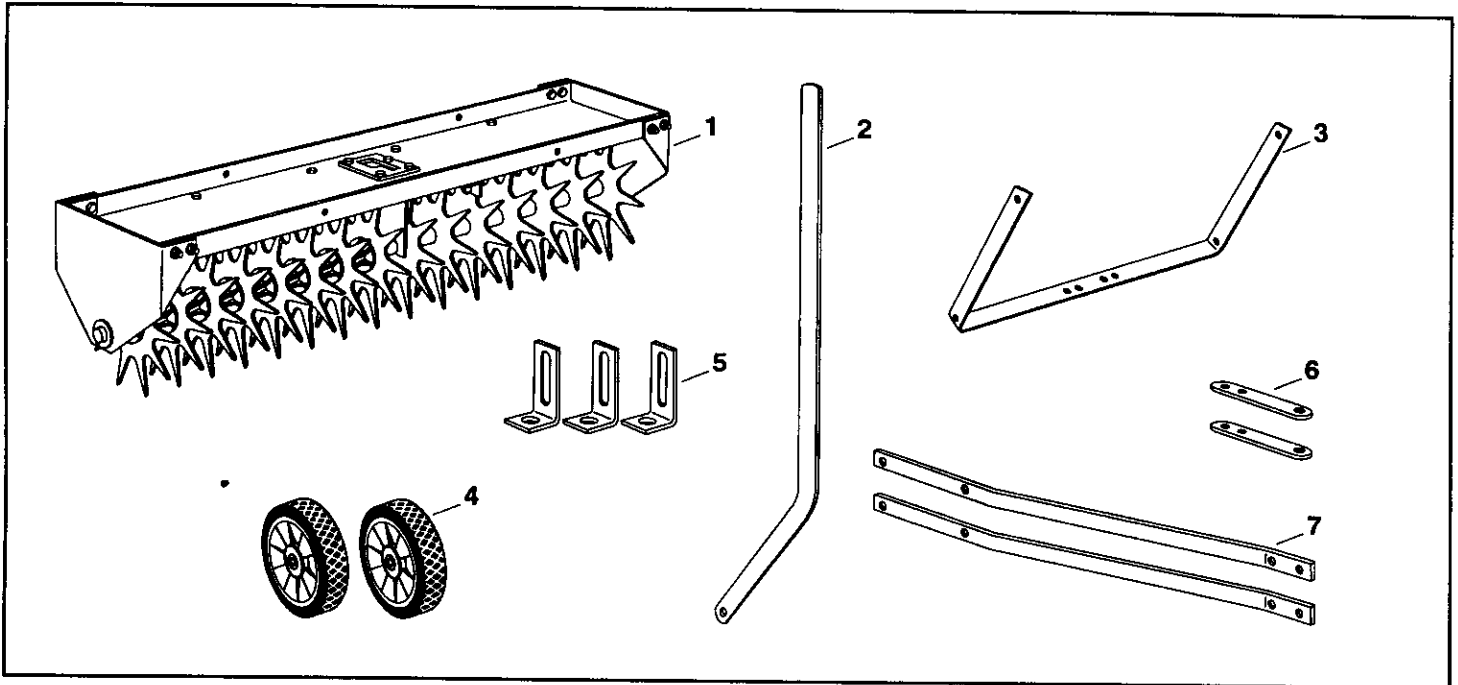


Key	Qty.	Description	Key	Qty.	Description
A	2	Hex Bolt, 3/8" x 2-1/2" Lg.	I	15	Hex Lock Nut, 5/16"
B	2	Hex Bolt, 5/16" x 2" Lg.	J	2	Hex Lock Nut, 3/8"
C	2	Hex Bolt, 5/16" x 1-1/4" Lg.	K	4	Lock Washer, 5/16"
D	11	Hex Bolt, 5/16" x 3/4" Lg.	L	2	Flat Washer, 3/8"
E	4	Carriage Bolt, 5/16" x 3/4"	M	4	Angle Bracket
F	1	Hitch Pin, 3/8"	N	2	Spacer
G	1	Hair Cotter Pin, 1/8"	O	1	Grip
H	4	Hex Nut, 5/16"			

ASSEMBLY

CARTON CONTENTS

1. Spike Aerator Assembly
 2. Lift Handle
 3. Axle Bracket
 4. Wheels (2)
 5. Hitch Arm Mount Brackets (3)
 6. Hitch Brackets (2)
 7. Hitch Mount Arms (2)
- Hardware Package (See page 3)



TOOLS REQUIRED FOR ASSEMBLY

- (2) 1/2" wrenches
- (2) 9/16" wrenches

- Remove all parts and hardware packages from the carton. Lay out all parts and hardware and identify using the illustrations on pages 3 and 4.

- Assemble two hitch arm mount brackets and two angle brackets to the bottom of the tray. Fasten the brackets to the four holes at the rear of the tray using four 5/16" x 3/4" hex bolts and 5/16" hex lock nuts. **Do not tighten completely.** See figure 1.



CAUTION: Spike points are sharp. Exercise caution at all times when spike points are rotating or when points are being handled.

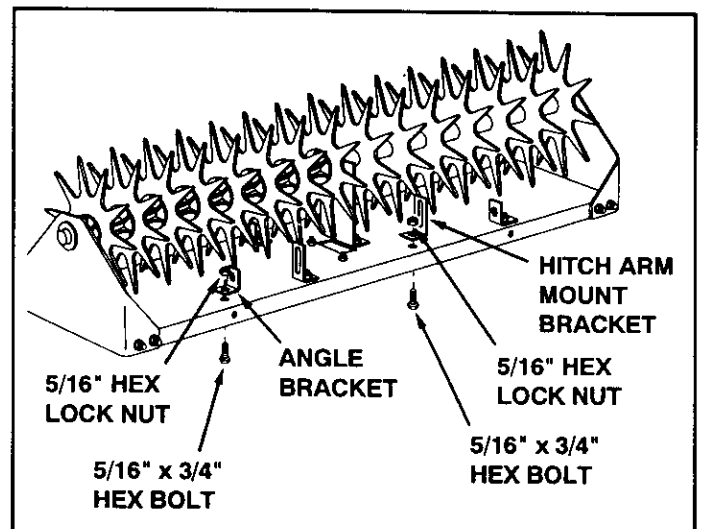


FIGURE 1

REAR VIEW

- Assemble the axle bracket to the angle brackets using two 5/16" x 3/4" hex bolts and 5/16" hex lock nuts. The ends of the axle bracket must point as shown in figure 2. **Tighten** and then loosen the nuts slightly.
- **Tighten** the nuts fastening the angle brackets to the tray.

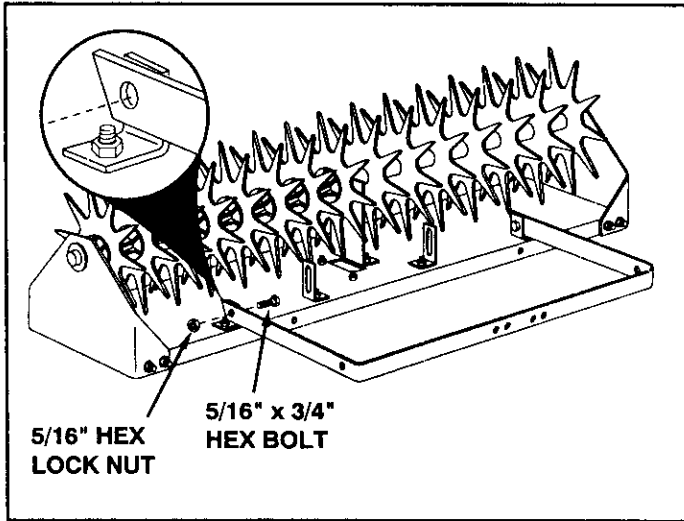


FIGURE 2 REAR VIEW

- Assemble the ends of the hitch mount arms to the hitch arm mount brackets at the rear of the tray. Fasten to the outside of the brackets using two 5/16" x 3/4" carriage bolts, 5/16" lock washers and 5/16" hex nuts. **Do not tighten yet.** See figure 4.

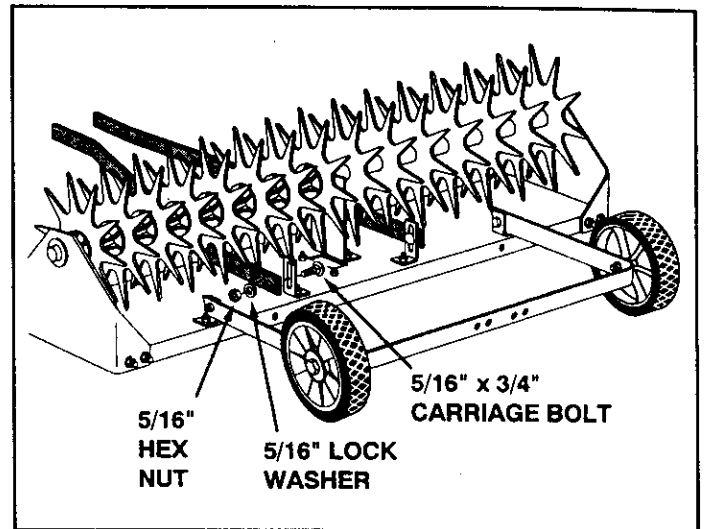


FIGURE 4 REAR VIEW

- Assemble the wheels to the axle bracket using a spacer, a 3/8" x 2-1/2" hex bolt, a 3/8" flat washer and a 3/8" hex lock nut for each wheel. **Tighten.** See figure 3.

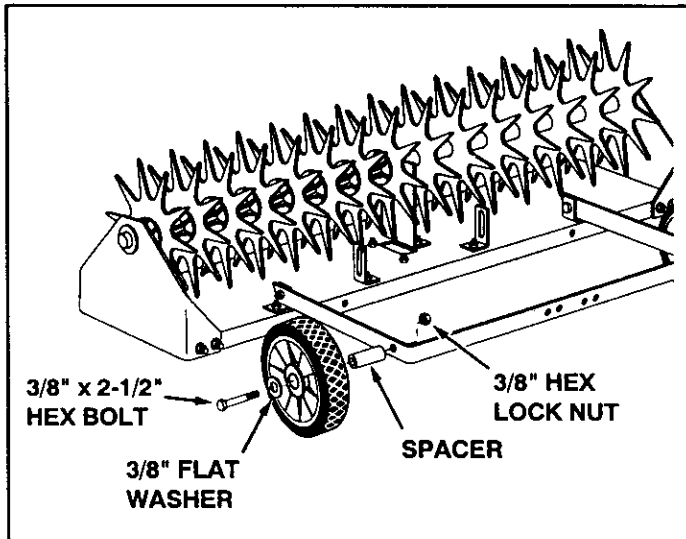


FIGURE 3 REAR VIEW

- Assemble two angle brackets to the holes in the bottom at the front of the tray. Use two 5/16" x 3/4" hex bolts and 5/16" hex lock nuts. **Do not tighten yet.** See figure 5.

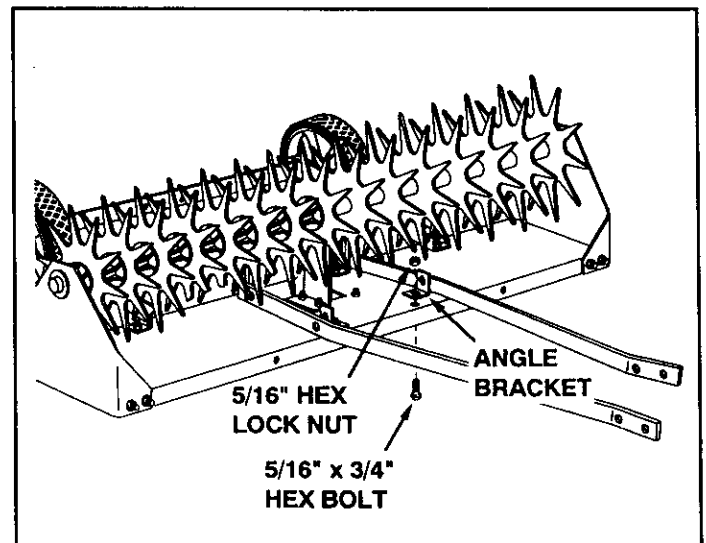


FIGURE 5 FRONT VIEW

- Fasten the hitch mount arms to the outside of the angle brackets at the front of the tray using two 5/16" x 3/4" hex bolts and 5/16" hex lock nuts. **Do not tighten yet.** See figure 6.

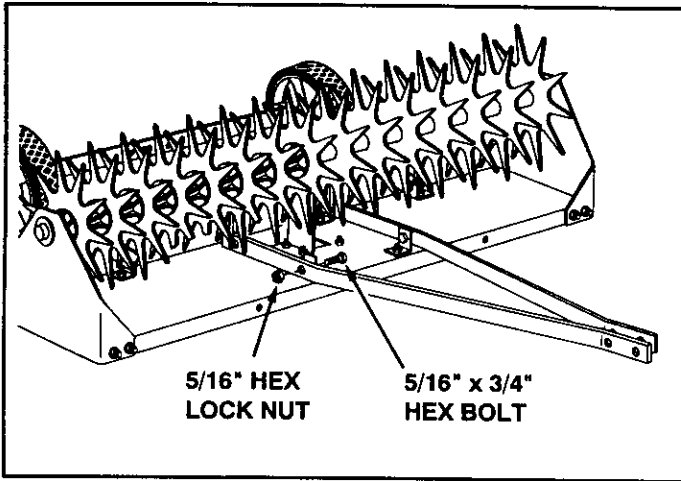


FIGURE 6 FRONT VIEW

- Assemble a hitch arm mount bracket to the axle bracket using two 5/16" x 3/4" carriage bolts, 5/16" lock washers and 5/16" hex nuts. **Do not tighten yet.** See figure 8.

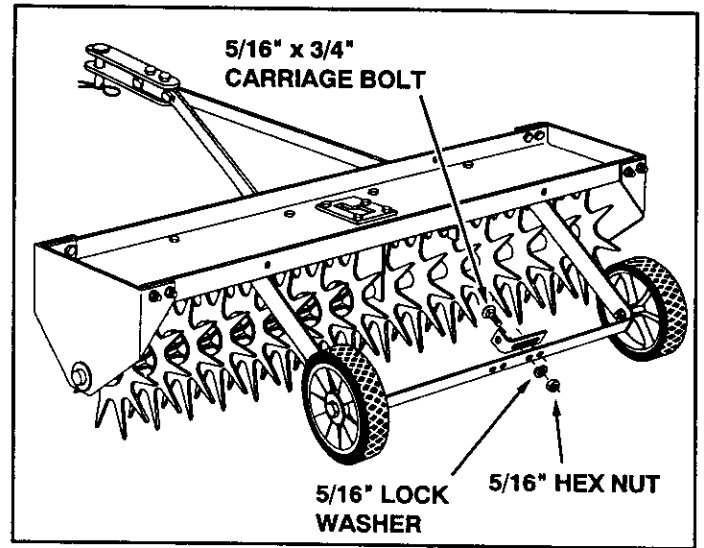


FIGURE 8 REAR VIEW

- Turn the aerator right side up and assemble the front ends of the hitch mount arms together using two 5/16" x 1-1/4" hex bolts and 5/16" hex lock nuts. **Do not tighten yet.** See figure 7.
- Assemble the two hitch brackets to the top and bottom of the hitch mount arms using two 5/16" x 2" hex bolts and 5/16" hex lock nuts. **Do not tighten yet.** See figure 7.
- Assemble the 3/8" hitch pin through the hitch brackets and secure it with a 1/8" hair cotter pin. See figure 7.

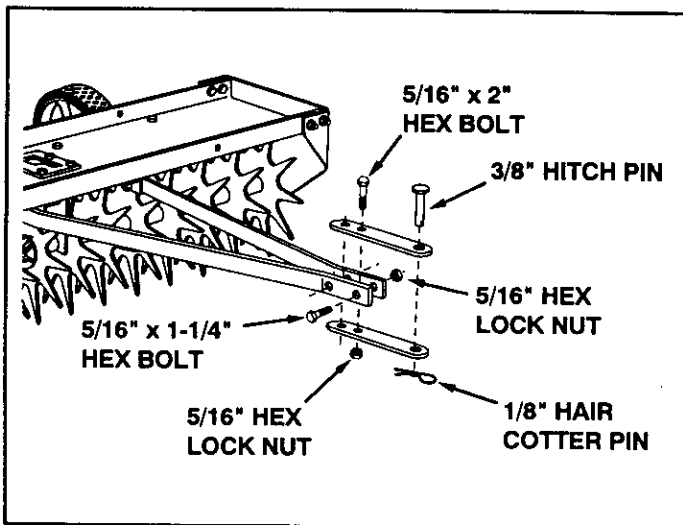


FIGURE 7 FRONT VIEW

- Assemble the lift handle through the tray and attach it to the hitch arm mount bracket assembled to the axle bracket. Use a 5/16" x 3/4" hex bolt and a 5/16" hex lock nut. **Tighten.** See figure 9.
- Position the hitch arm mount bracket so that there is side tension on the lift handle when it is locked in the up position. **Tighten** the nuts. See figure 9.
- Assemble the grip onto the end of the lift handle. See figure 9.

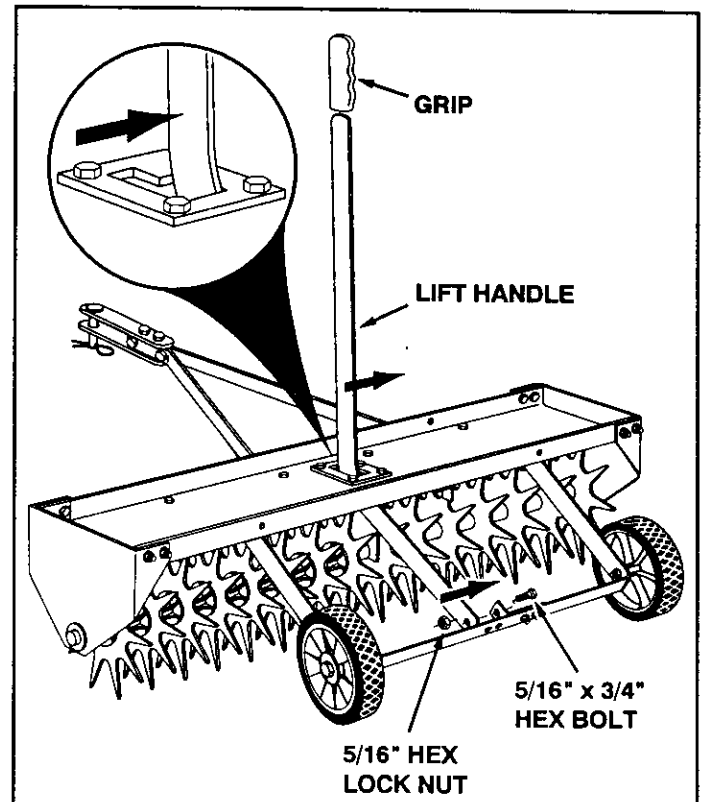


FIGURE 9 REAR VIEW

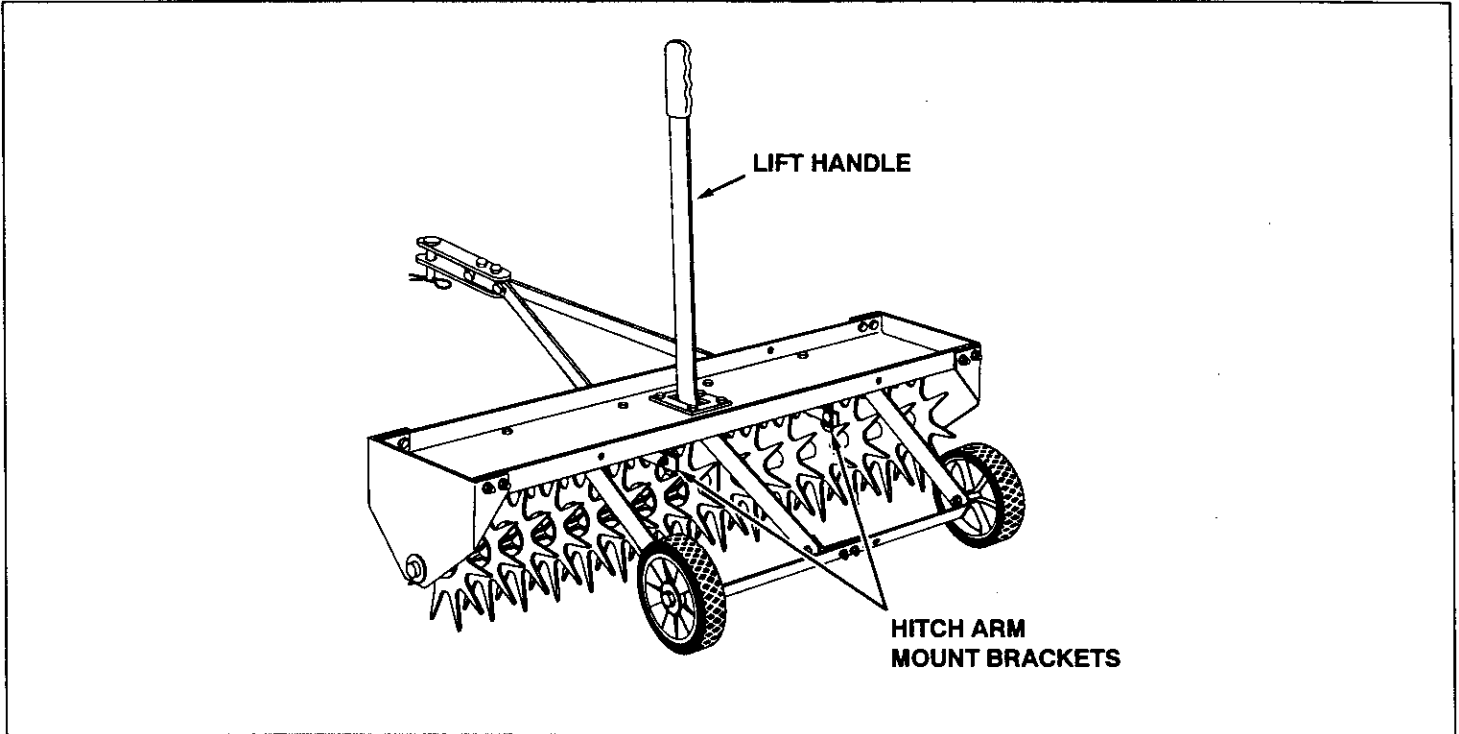
- **Tighten** in sequence the bolts and nuts assembled in figure 7. **Tighten** and then **loosen** slightly the bolts and nuts assembled in figure 6. **Tighten** the bolts and nuts assembled in figure 5. **Tighten** the bolts and nuts assembled in figure 1. **Tighten** the bolts and nuts assembled in figure 4.

OPERATION

KNOW YOUR SPIKE AERATOR

Read this owner's manual and safety rules before operating your aerator.

Compare the illustration below with your aerator to familiarize yourself with the various controls and their locations.



LIFT HANDLE Raises the aerator to the transport position and lowers it to the operating position.

HITCH ARM MOUNT BRACKETS Adjust the angle of the hitch mount arms to keep the aerator level.

BEFORE STARTING

- Mow the lawn and remove loose clippings prior to use of the aerator.
- If the ground is extremely hard and dry, it should be sprinkled or watered down for one to two hours prior to use of the aerator.

HOW TO USE YOUR SPIKE AERATOR

Aerating involves cutting small holes in the soil to create small reservoirs that will bring oxygen, fertilizer and water down into the root zone. For best performance of the spike aerator attachment, the following lawn preparation and aerator operation is recommended.



CAUTION: Vehicle braking and stability may be affected by the addition of and accessory or and attachment. Be aware of changing conditions on slopes.

- To level the spike tray after the aerator is attached to the tractor hitch, loosen the lock washers and hex nuts holding the hitch mount arms to the brackets at the rear of the tray. Make the tray as level as possible and then retighten the nuts. See figure 10.

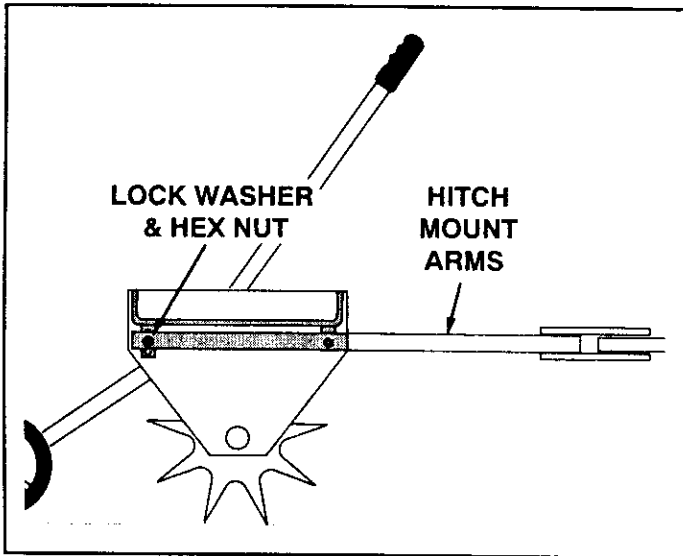


FIGURE 10

- The spike tray may be raised to the transport position by pushing the lift handle backward.
- The spike tray may be lowered to the working position by moving the lift handle forward.
- Mow the lawn and remove loose clippings prior to use of the aerator.
- Start the tractor engine with controls in neutral and then place throttle at a slow engine speed.
- Engage the shift lever in lowest possible forward speed and then lower the aerator, allowing spike points to enter the ground. Increase speed as conditions permit.
- Aerate in the straightest line possible.
- Make overlapping passes to increase density of the spike point pattern.
- To prevent damage to lawn, **do not** make sharp turns while spike points are engaged in ground.
- Aerate in an up and down direction on slopes.

- To increase depth of spike point penetration, add weight to the tray as necessary. The tray holds concrete blocks or patio blocks at approximately 35 lbs. each. Secure the weights with straps or wire using the holes in the tray flange. See figure 11.
- Do not aerate if the ground is too wet (muddy).

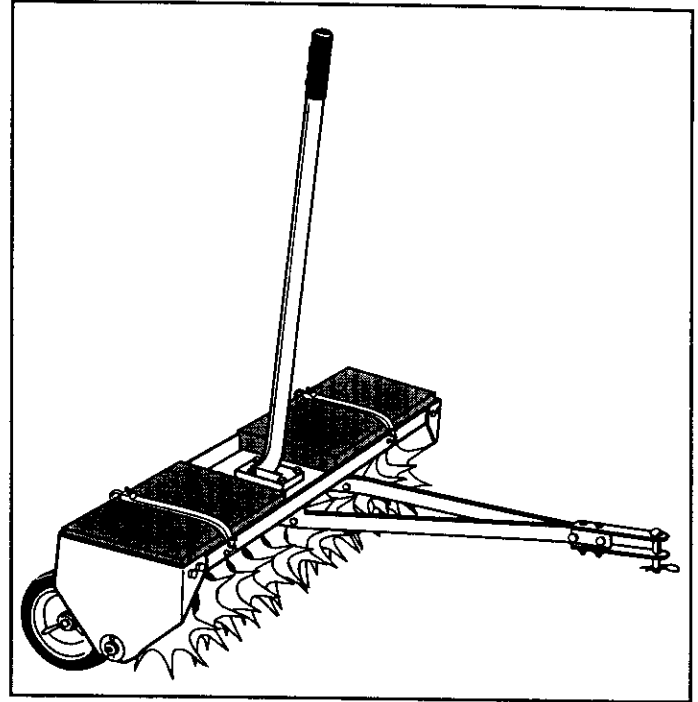


FIGURE 11

MAINTENANCE

CUSTOMER RESPONSIBILITIES

- Read and follow the maintenance schedule and the maintenance procedures listed in this section.

MAINTENANCE SCHEDULE Fill in dates as you complete regular service.	Service Dates												
	Before each use	After each use	Every season	Before storage									
Check for loose fasteners	X												
Lubricate		X											
Clean		X											

CHECK FOR LOOSE FASTENERS

- Before each use check all nuts and bolts for tightness.

LUBRICATION

- Lubricate wheels as needed.

CLEANING

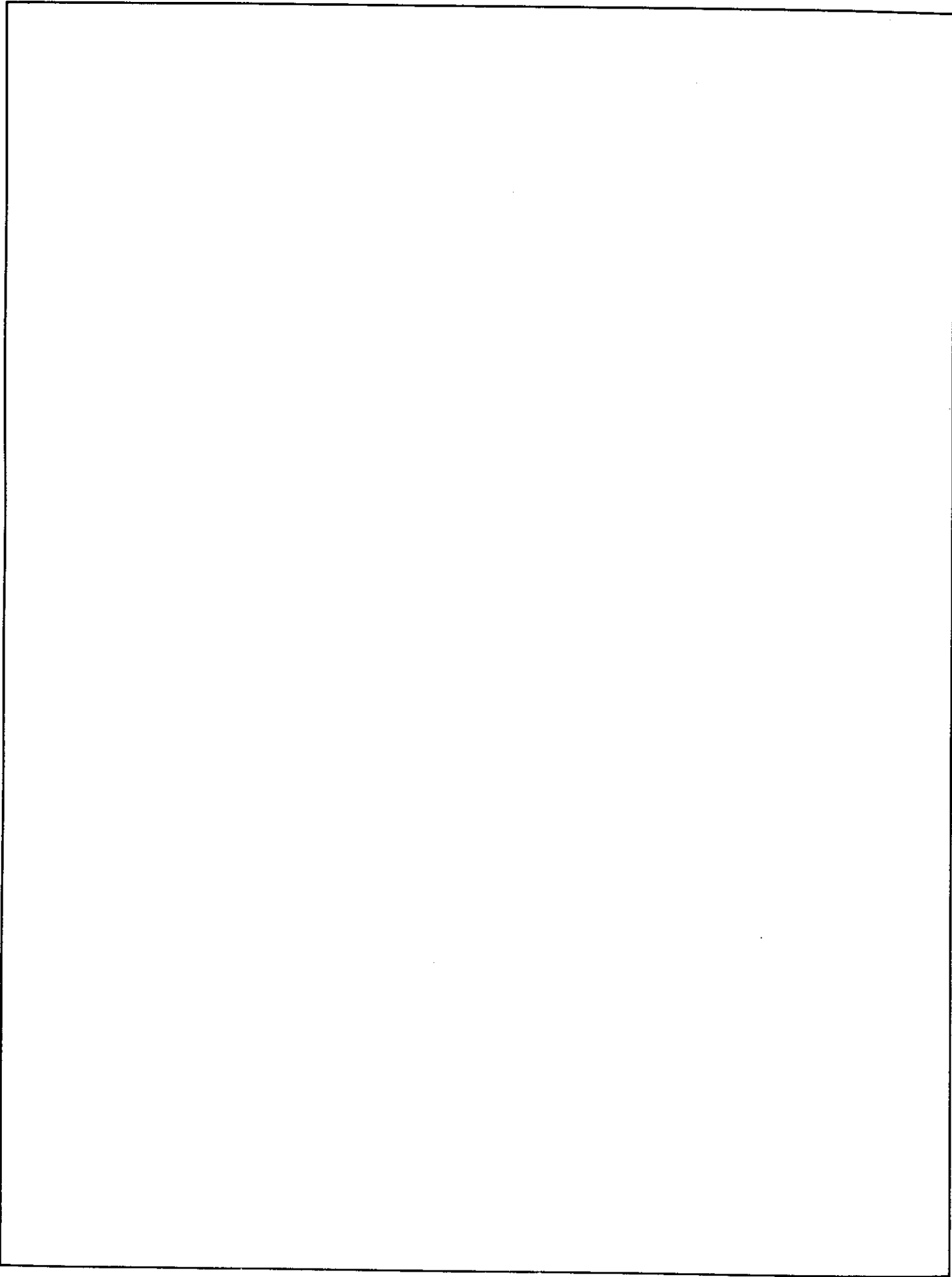
- Clean dirt off of spike disks after each use.
- If rust appears on shield or spikes, sand lightly and coat with enamel paint.

SERVICE AND ADJUSTMENTS

- Spike points can periodically be sharpened with a small grinder to maintain good soil penetration. Points should be removed for sharpening.

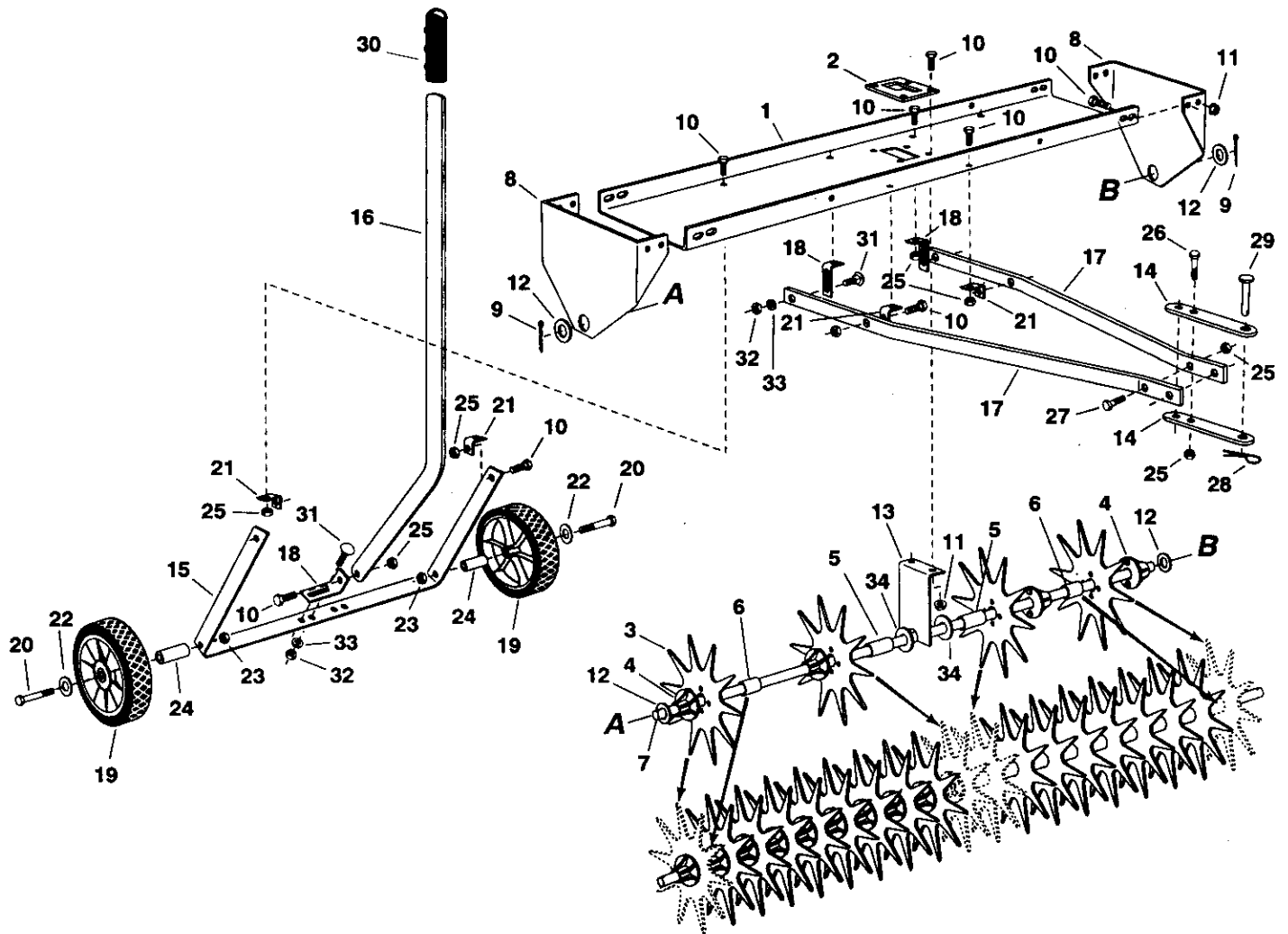
STORAGE

- Store in a dry area and coat exposed metal with light oil when not in use.



PARTS

REPAIR PARTS FOR 48" SPIKE AERATOR - MODEL 486.24338



REF. NO.	PART NO.	QTY.	DESCRIPTION	REF. NO.	PART NO.	QTY.	DESCRIPTION
1	24628	1	Tray, 48" Spike Disk Mount	18	23442	3	Bracket, Hitch Arm Mount
2	24594	1	Plate, Lift	19	44238	2	Wheel
3	23900	19	Disk, Spike	20	43432	2	Bolt, Hex 3/8-16 x 2-1/2"
4	45148	19	Hub, Spike Disk	21	23826	4	Bracket, Angle
5	44494	17	Spacer, 1.33" Long	22	43070	2	Washer, Flat 3/8"
6	44500	2	Spacer, 1" Long (each end)	23	43082	2	Nut, Hex Lock 3/8-16
7	24629	1	Axle (48")	24	23906	2	Spacer, 1.56" Long
8	24599	2	End Plate	25	43064	15	Nut, Hex Lock 5/16-18
9	43501	2	Cotter Pin, 5/32" x 1"	26	44180	2	Bolt, Hex 5/16-18 x 2"
10	43182	23	Bolt, Hex 5/16-18 x 3/4"	27	43840	2	Bolt, Hex 5/16-18 x 1-1/4"
11	46584	12	Nut, Whiz Lock 5/16-18	28	43343	1	Pin, Hair Cotter
12	43009	8	Washer, Flat	29	47623	1	Pin, Hitch 3/8" (Flat Head)
13	24600	1	Bracket, Axle Reinforcement	30	43943	1	Grip
14	23981	2	Bracket, Hitch	31	43080	4	Bolt, Carriage 5/16-18 x 3/4"
15	24595	1	Bracket, Axle	32	43083	4	Nut, Hex 5/16-18
16	24596	1	Lift Handle	33	43086	4	Lock Washer, 5/16"
17	23914	2	Arm, Hitch Mount	34	1540-162	2	Washer, Flat 2" x 13/16" x 10 Ga.
					47773	1	Owners Manual

For in-home major brand repair service:

Call 24 hours a day, 7 days a week

1-800-4-MY-HOMESM (1-800-469-4663)

Para pedir servicio de reparación a domicilio – 1-800-676-5811

In Canada for all your service and parts needs call
Au Canada pour tout le service ou les pièces – **1-800-665-4455**

For the repair or replacement parts you need:

Call 7 am – 7 pm, 7 days a week

1-800-366-PART (1-800-366-7278)

Para ordenar piezas con entrega a domicilio – 1-800-659-7084

For the location of a Sears Parts and Repair Center in your area:

Call 24 hours a day, 7 days a week

1-800-488-1222

**For information on purchasing a Sears Maintenance Agreement
or to inquire about an existing Agreement:**

Call 9 am – 5 pm, Monday – Saturday

1-800-827-6655



The Service Side of SearsSM