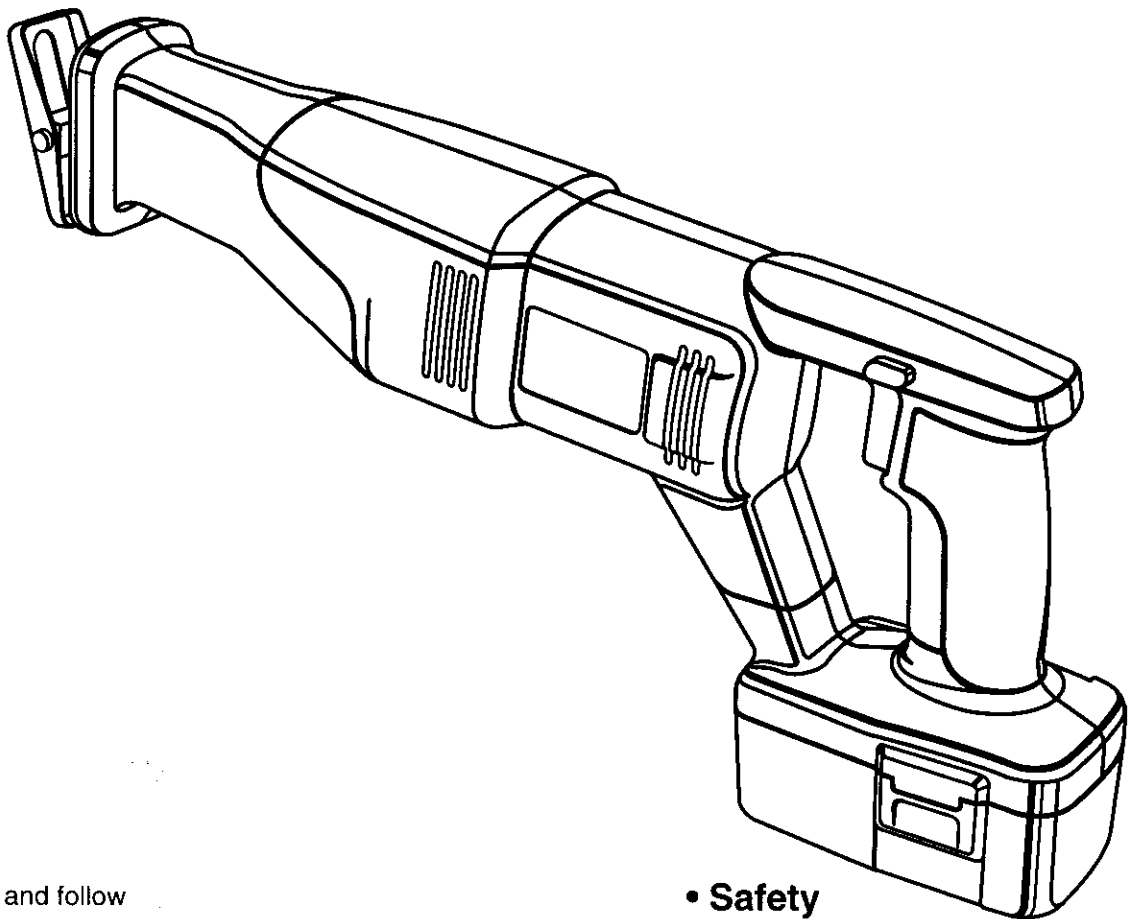


Owner's Manual



Variable Speed / 1-3/16 in. Stroke **PROFESSIONAL CORDLESS RECIPROCATING SAW**

Model No.
315.274050



Save this manual for
future reference

⚠ CAUTION: Read and follow
all Safety Rules and Operating
Instructions before first use of
this product.

Customer Help Line: 1-800-932-3188

Sears, Roebuck and Co., Hoffman Estates, IL 60179 USA
Visit the Craftsman web page: www.sears.com/craftsman

972000-698
9-99

- Safety
- Features
- Operation
- Maintenance
- Parts List



TABLE OF CONTENTS

■ Table of Contents	2
■ Warranty and Introduction	2
■ Rules For Safe Operation	3-5
A. Important Safety Rules For Battery Tools	4
B. Important Safety Instructions For Charger	4
C. Important Safety Instructions For Reciprocating Saws	5
■ Product Specifications and Unpacking	6
■ Accessories	6
■ Features	7-8
A. Important Information For Recharging Hot Batteries	8
■ Operation	9-12
■ Maintenance	13
■ Battery Pack Removal and Preparation For Recycling	13
■ Exploded View and Repair Parts List	15
■ Parts Ordering / Service	16



Look for this symbol to point out important safety precautions. It means attention!!! Your safety is involved.

WARRANTY

FULL ONE YEAR WARRANTY ON CRAFTSMAN PROFESSIONAL CORDLESS RECIPROCATING SAW

If this **CRAFTSMAN** Professional Cordless Reciprocating Saw fails due to a defect in material or workmanship within one year from the date of purchase, Sears will repair it, free of charge.

WARRANTY SERVICE IS AVAILABLE BY SIMPLY RETURNING THE TOOL TO THE NEAREST SEARS STORE IN THE UNITED STATES.

This warranty gives you specific legal rights, and you may also have other rights which vary from state to state.

Sears, Roebuck and Co., Dept. 817WA, Hoffman Estates, IL 60179

INTRODUCTION

Your reciprocating saw has many features for making cutting operations more pleasant and enjoyable. Safety, performance and dependability have been given top priority in the design of this tool making it easy to maintain and operate.



CAUTION: Carefully read through this entire owner's manual before using your new reciprocating saw. Pay close attention to the Rules For Safe Operation, Warnings and Cautions. If you use your reciprocating saw properly and only for what it is intended, you will enjoy years of safe, reliable service.



WARNING:



The operation of any power tool can result in foreign objects being thrown into your eyes, which can result in severe eye damage. Before beginning power tool operation, always wear safety goggles or safety glasses with side shields and a full face shield when needed. We recommend Wide Vision Safety Mask for use over eyeglasses or standard safety glasses with side shields, available at Sears Retail Stores.

RULES FOR SAFE OPERATION

The purpose of safety symbols is to attract your attention to possible dangers. The safety symbols, and the explanations with them, deserve your careful attention and understanding. The safety warnings do not by themselves eliminate any danger. The instructions or warnings they give are not substitutes for proper accident prevention measures.

SYMBOL MEANING



SAFETY ALERT SYMBOL:

Indicates danger, warning or caution. May be used in conjunction with other symbols or pictographs.



DANGER: Failure to obey a safety warning will result in serious injury to yourself or to others. Always follow the safety precautions to reduce the risk of fire, electric shock and personal injury.



WARNING: Failure to obey a safety warning can result in serious injury to yourself or to others. Always follow the safety precautions to reduce the risk of fire, electric shock and personal injury.



CAUTION: Failure to obey a safety warning may result in property damage or personal injury to yourself or to others. Always follow the safety precautions to reduce the risk of fire, electric shock and personal injury.

NOTE: Advises you of information or instructions vital to the operation or maintenance of the equipment.



WARNING: Do not attempt to operate this tool until you have read thoroughly and understand completely all instructions, safety rules, etc. contained in this manual. Failure to comply can result in accidents involving fire, electric shock, or serious personal injury. Save owner's manual and review frequently for continuing safe operation, and instructing others who may use this tool.

- **DON'T FORCE TOOL.** It will do the job better and safer at the rate for which it was designed.
- **USE RIGHT TOOL.** Don't force small tool or attachment to do the job of a heavy duty tool. Don't use tool for purpose not intended - for example - A circular saw should never be used for cutting tree limbs or logs.
- **WEAR PROPER APPAREL.** Do not wear loose clothing or jewelry that can get caught in tool's moving parts and cause personal injury. Rubber gloves and nonskid footwear are recommended when working outdoors. Wear protective hair covering to contain long hair and keep it from being drawn into nearby air vents.
- **ALWAYS WEAR SAFETY GLASSES.** Everyday eyeglasses have only impact-resistant lenses; they are **NOT** safety glasses.
- **PROTECT YOUR LUNGS.** Wear a face mask or dust mask if operation is dusty.
- **PROTECT YOUR HEARING.** Wear hearing protection during extended periods of operation.
- **SECURE WORK.** Use clamps or a vise to hold work. It's safer than using your hand and it frees both hands to operate tool.
- **DON'T OVERREACH.** Keep proper footing and balance at all times. Do not use on a ladder or unstable support.
- **MAINTAIN TOOLS WITH CARE.** Keep tools sharp at all times, and clean for best and safest performance. Follow instructions for lubricating and changing accessories.

READ ALL INSTRUCTIONS

- **KNOW YOUR POWER TOOL.** Read owner's manual carefully. Learn its applications and limitations as well as the specific potential hazards related to this tool.
- **GUARD AGAINST ELECTRICAL SHOCK** by preventing body contact with grounded surfaces. For example: Pipes, radiators, ranges, refrigerator enclosures.
- **KEEP WORK AREA CLEAN.** Cluttered areas and benches invite accidents.
- **AVOID DANGEROUS ENVIRONMENT.** Don't use power tool in damp or wet locations or expose to rain. Keep work area well lit.
- **KEEP CHILDREN AND VISITORS AWAY.** All visitors should wear safety glasses and be kept a safe distance from work area. Do not let visitors contact tool or extension cord.
- **STORE IDLE TOOLS.** When not in use tools should be stored in a dry and high or locked-up place - out of the reach of children.

RULES FOR SAFE OPERATION (Continued)

- **REMOVE ADJUSTING KEYS AND WRENCHES.** Form habit of checking to see that keys and adjusting wrenches are removed from tool before turning it on.
- **NEVER USE IN AN EXPLOSIVE ATMOSPHERE.** Normal sparking of the motor could ignite flammable liquids, gases, or fumes.
- **KEEP HANDLES DRY, CLEAN, AND FREE FROM OIL AND GREASE.** Always use a clean cloth when cleaning. Never use brake fluids, gasoline, petroleum-based products or any strong solvents to clean your tool.
- **STAY ALERT.** Watch what you are doing and use common sense. Do not operate tool when you are tired. Do not rush.
- **CHECK DAMAGED PARTS.** Before further use of the tool, a guard or other part that is damaged should be carefully checked to determine that it will operate properly and perform its intended function. Check for alignment of moving parts, binding of moving parts, breakage of parts, mounting, and any other conditions that may affect its operation. A guard or other part that is damaged should be properly repaired or replaced by an authorized service center unless indicated elsewhere in this instruction manual.
- **DO NOT USE TOOL IF SWITCH DOES NOT TURN IT ON AND OFF.** Have defective switches replaced by an authorized service center.
- **DRUGS, ALCOHOL, MEDICATION.** Do not operate tool while under the influence of drugs, alcohol, or any medication.
- **CUTTING INTO ELECTRICAL WIRING IN WALLS CAN CAUSE BLADE, BLADE CLAMP AND SAW BAR TO BECOME ELECTRICALLY LIVE.** Do not touch metal parts when cutting into a wall; grasp only the insulated handle(s) or plastic housing when using this tool. Make sure hidden electrical wiring, water pipes, and mechanical hazards are not in the path of the blade when cutting into a wall.
- **INSPECT FOR** and remove all nails from lumber before cutting.

IMPORTANT SAFETY RULES FOR BATTERY TOOLS


- Battery tools do not have to be plugged into an electrical outlet; therefore, they are always in operating condition. Be aware of possible hazards when not using your battery tool or when changing accessories.
- **DISCONNECT BATTERY PACK FROM TOOL OR PLACE THE SWITCH IN THE LOCKED OR OFF POSITION BEFORE MAKING ANY**

ADJUSTMENTS, CHANGING ACCESSORIES, OR STORING THE TOOL. Such preventive safety measures reduce the risk of starting the tool accidentally.

- **USE ONLY THE CHARGER PROVIDED WITH YOUR BATTERY TOOL.** Do not substitute any other charger. Use of another charger could cause batteries to explode causing possible serious injury.
- **DO NOT PLACE BATTERY TOOLS OR THEIR BATTERIES NEAR FIRE OR HEAT.** They may explode.
- **DO NOT CHARGE BATTERY TOOL IN A DAMP OR WET LOCATION.**
- Your battery tool should be charged in a location where the temperature is more than 50°F but less than 100°F.
- Under extreme usage or temperature conditions, battery leakage may occur. If liquid comes in contact with your skin, wash immediately with soap and water, then neutralize with lemon juice or vinegar. If liquid gets in your eyes, flush them with clean water for at least 10 minutes, then seek immediate medical attention.
- If carrying your battery tool at your side, make sure it is not running and your finger is not on the switch. Avoid accidental starting.
- **SECURE WORK** before applying power. **NEVER** hold workpiece in your hand or across your legs.
- **WHEN SERVICING USE ONLY IDENTICAL CRAFTSMAN REPLACEMENT PARTS.**

IMPORTANT SAFETY INSTRUCTIONS FOR CHARGER

- **SAVE THESE INSTRUCTIONS.** This manual contains important safety and operating instructions for battery charger item number 9-11089.
- Before using battery charger, read all instructions and cautionary markings in this manual, on battery charger, and product using battery charger.

 **WARNING:** To reduce risk of injury, charge only nickel-cadmium type rechargeable batteries. Other types of batteries may burst causing personal injury and damage.

- Do not expose charger to rain or snow.
- Use of an attachment not recommended or sold by the battery charger manufacturer may result in a risk of fire, electric shock, or injury to persons.
- To reduce risk of damage to charger body and cord, pull by charger body rather than cord when disconnecting charger.

RULES FOR SAFE OPERATION (Continued)

- Make sure cord is located so that it will not be stepped on, tripped over, or otherwise subjected to damage or stress.
- An extension cord should not be used unless absolutely necessary. Use of improper extension cord could result in a risk of fire and electric shock. If extension cord must be used, make sure:
 - a. That pins on plug of extension cord are the same number, size and shape as those of plug on charger.
 - b. That extension cord is properly wired and in good electrical condition; and
 - c. That wire size is large enough for AC ampere rating of charger as specified below:
Cord Length (Feet) 25' 50' 100'
Cord Size (AWG) 16 16 16
Note: AWG = American Wire Gage
- **DO NOT OPERATE CHARGER WITH A DAMAGED CORD OR PLUG.** If damaged, have replaced immediately by a qualified serviceman.
- Do not operate charger if it has received a sharp blow, been dropped, or otherwise damaged in any way; take it to a qualified serviceman.
- Do not disassemble charger; take it to a qualified serviceman when service or repair is required. Incorrect reassembly may result in a risk of electric shock or fire.

- To reduce risk of electric shock, unplug charger from outlet before attempting any maintenance or cleaning. Turning off controls will not reduce this risk.
- Do not use charger outdoors.
- Disconnect charger from power supply when not in use.

IMPORTANT SAFETY INSTRUCTIONS FOR RECIPROCATING SAWS

- **KEEP BLADES CLEAN AND SHARP.** Sharp blades minimize stalling and kickback.
- **KEEP HANDS AWAY FROM CUTTING AREA.** Keep hands away from blade. Do not reach underneath work while blade is moving. Do not attempt to remove cut material when blade is moving.
- **NEVER** touch the blade or other moving parts during use.
- **NEVER** lay a tool down before its moving parts have come to a complete stop.
- **SAVE THESE INSTRUCTIONS.** Refer to them frequently and use them to instruct others who may use this tool. If you loan someone this tool, loan them these instructions also.


SAVE THESE INSTRUCTIONS

PRODUCT SPECIFICATIONS

Blade Stroke	1-3/16 in.	No Load Speed	0-2500 SPM
Motor	18 Volt DC	Switch	Variable Speed
Charger Rating	120 Volts, 60 Hz, AC only	Shank Capacity	1/2 in.
Charger Rate	1 Hour		

UNPACKING

Your reciprocating saw has been shipped completely assembled except for the blade. Inspect it carefully to make sure no breakage or damage has occurred during shipping. If any parts are damaged or missing, contact your nearest Sears Retail Store to obtain replacement parts before attempting to operate saw. Two blades and this owner's manual are also included.

 **WARNING:** If any parts are missing, do not operate your saw until the missing parts are replaced. Failure to do so could result in possible serious personal injury.

ACCESSORIES

The following recommended accessories are currently available at Sears Retail Stores.

BLADE TYPES	LENGTH IN.	TEETH PER IN.
For fast smooth cuts in woods, masonite, plastics, hard composition board and all plunge cutting. Keyhole blade shape permits cutting in hard to reach areas.	6	6
For fast, smooth, deep cuts through thick wood, plastic, composition board, and hardboard.	12	6
For rough cuts in wood.	6	14
High speed steel blade for cutting ferrous metals less than 1/8 in. thick and for cutting tubing or pipe with a 1/8 in. thick wall section or less.	4	24

 **WARNING:** The use of attachments or accessories not listed above might be hazardous.

BLADE SELECTION

To obtain the best performance from your saw it is important to select a specific blade for the particular application and type of material you wish to cut. By doing this you will get a smoother faster cut and prolong blade life. Replacement blades for this saw are available from your nearest Sears Retail Store.

FEATURES

KNOW YOUR RECIPROCATING SAW

See Figure 1.

Before attempting to use your reciprocating saw, familiarize yourself with all operating features and safety requirements.

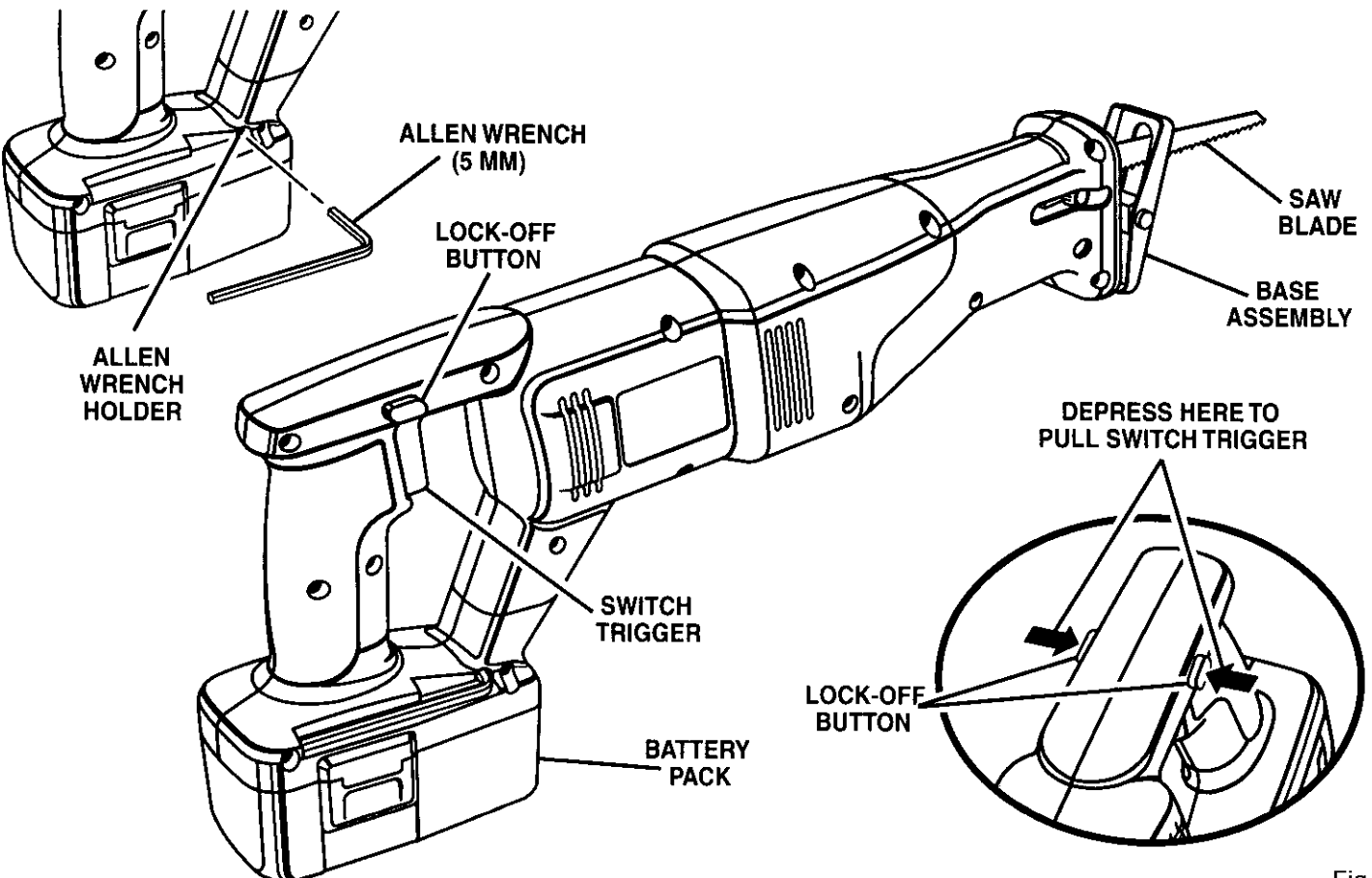
⚠ WARNING: Carefully read through this entire owner's manual before using your new reciprocating saw. Pay close attention to the Rules For Safe Operation, Warnings and Cautions. If you use your reciprocating saw properly and only for what it is intended, you will enjoy years of safe, reliable service.

⚠ WARNING: If any parts are missing, do not operate your saw until the missing parts are replaced. Failure to do so could result in possible serious personal injury.

⚠ WARNING: Do not allow familiarity with your saw to make you careless. Remember that a careless fraction of a second is sufficient to inflict severe injury.

ALLEN WRENCH HOLDER

A 5 mm Allen wrench is packed with your saw. A convenient feature on your saw is the Allen wrench holder. This is a slot located on the bottom portion of the saw handle. It is convenient for storing the Allen wrench when it is not being used.



LOCK-OFF BUTTON

Your saw is equipped with a "lock-off" button which reduces the possibility of accidental starting. The lock-off button is located on the handle above the switch trigger. You must depress the lock-off button in order to pull the switch trigger. The lock resets each time the trigger is released. **Note:** You can depress the lock-off button from either the left or right side.

SWITCH

To turn your saw **ON**, depress the lock-off button and pull switch trigger. Release switch trigger to turn your saw **OFF**.

VARIABLE SPEED

This tool has a variable speed switch that delivers higher speed with increased trigger pressure. Speed is controlled by the amount of switch trigger depression.

APPLICATIONS

(Use only for the purposes listed below)

- Cutting all types of wood products (lumber, plywood, paneling, composition board, and hard wood).
- Cutting masonite and plastic.
- Cutting drywall.
- Cutting metals such as sheet steel, pipe, steel rods, aluminum, brass, and copper.

FEATURES

CHARGER

See Figure 2.

Your charger has a "key hole" hanging feature for convenient, space saving storage. Screws should be installed so that center distances are 1-7/16 inches apart.

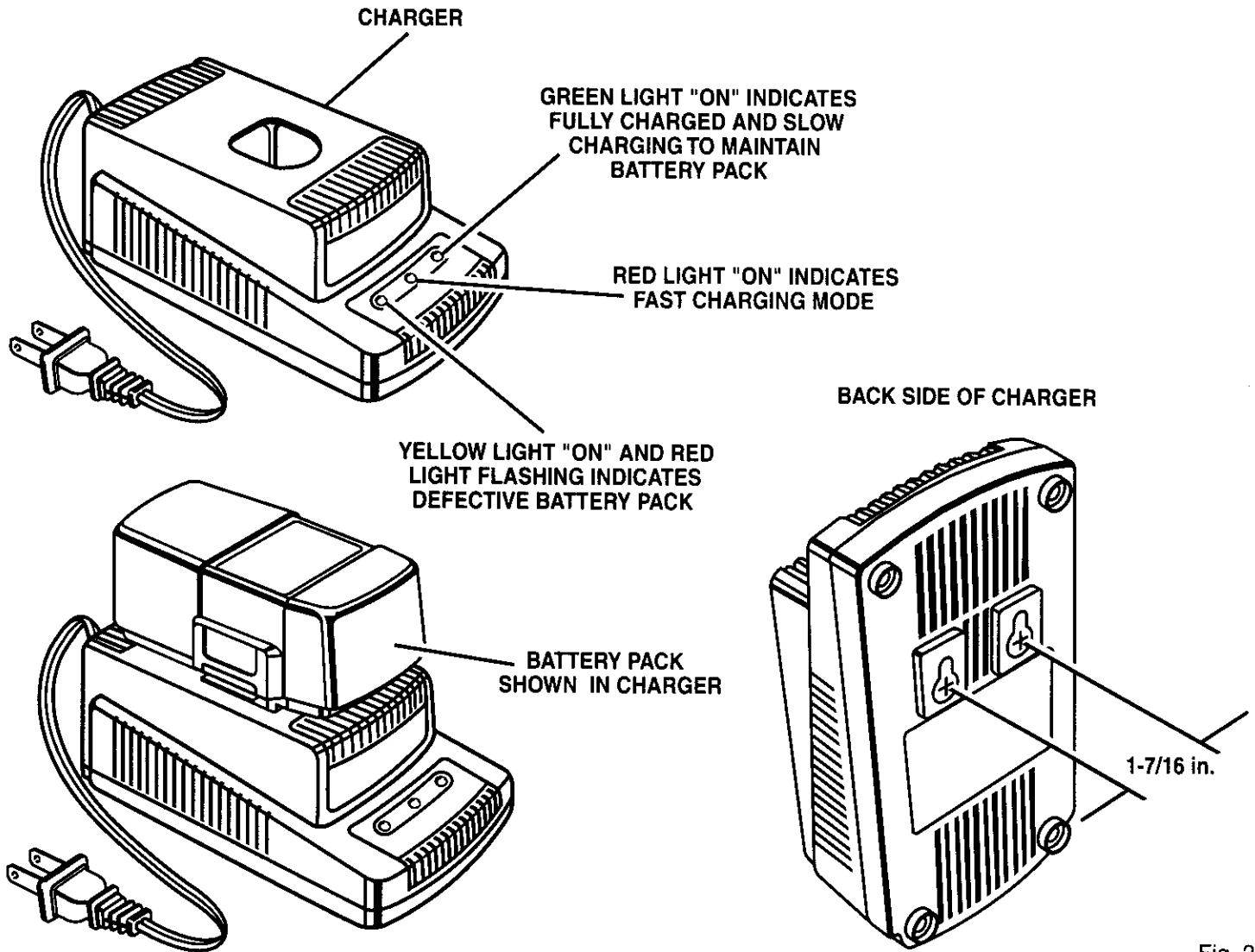


Fig. 2

IMPORTANT INFORMATION FOR RECHARGING HOT BATTERIES

When using your reciprocating saw continuously, the batteries in your battery pack will become hot. You should let a hot battery pack cool down for approximately 30 minutes before attempting to recharge. When the battery pack becomes discharged and is hot, this will cause the red light on your battery charger to flash. When battery pack cools down, red light will glow continuously indicating fast charging mode, 1 hour charge time. Once the battery pack cools down, it will recharge battery pack in fast charging mode as normal.

Note: This situation only occurs when continuous use of your saw causes the batteries to become hot. **It does not occur under normal circumstances.** Refer to "**CHARGING YOUR BATTERY PACK**" for normal recharging of batteries. If the charger does not charge your battery pack under normal circumstances, return **both** the battery pack and charger to your nearest Sears repair center for electrical check.

OPERATION

⚠ WARNING: Always wear safety goggles or safety glasses with side shields when operating tools. Failure to do so could result in objects being thrown into your eyes, resulting in possible serious injury.

CHARGING YOUR BATTERY PACK

The battery pack for this tool has been shipped in a low charge condition to prevent possible problems. Therefore, you should charge it until light on front of charger changes from red to green.

Note: Batteries will not reach full charge the first time they are charged. Allow several cycles (cutting followed by recharging) for them to become fully charged.

TO CHARGE

- Charge battery pack only with the charger provided.
- **Make sure power supply is normal house voltage, 120 volts, 60 Hz, AC only.**
- Connect charger to power supply.
- Place battery pack in charger aligning raised rib in charger with groove in battery pack.
- Press down on battery pack to be sure contacts on battery pack engage properly with charger contacts.
- Red light should turn on. Red light indicates fast charging mode.

If red light is flashing, this indicates battery pack is deeply discharged or hot.

If battery pack is hot, red light should become steady after battery pack has cooled down.

If battery pack is deeply discharged, red light should become steady after voltage has increased, normally within 30 minutes.

If after one hour red light is still flashing, this indicates a defective battery pack and should be replaced.

Green light on indicates battery pack is fully charged and slow charging to maintain battery pack.

Yellow light on and red light flashing indicates defective battery pack. Return battery pack to your nearest Sears Repair Center for checking or replacing.

- When your battery pack becomes fully charged, the red light will turn **OFF** and the green light will turn **ON**.
- **If you remove battery pack from charger and reinsert it immediately (less than 5 seconds) back in charger, the green light will come on indicating full charge and slow charging mode until removed from charger. If you remove battery pack from charger and wait more than 5 seconds before reinserting it back in charger, the charger will function normally.**
- After normal usage, 1 hour of charging time is required to be fully charged. A minimum charge time of 1-1/2 hours is required to recharge a completely discharged tool.
- The battery pack will become slightly warm to the touch while charging. This is normal and does not indicate a problem.
- **Do not** place charger in an area of extreme heat or cold. It will work best at normal room temperature.
- When the batteries become fully charged, unplug your charger from power supply and remove the battery pack.

LED FUNCTION OF CHARGER

LED WILL BE LIGHTED TO INDICATE STATUS OF CHARGER AND BATTERY PACK:

- Red LED Lighted = Fast Charging Mode.
- Green LED Lighted = Fully Charged And Slow Charging To Maintain Battery Pack.
- Red LED Flashing = Hot Or Deeply Discharged Battery Pack. Also Defective Battery Pack After 1 Hour.
- Yellow LED Lighted and Red LED Flashing = Defective Battery Pack.

OPERATION

- ⚠ **WARNING:** Always remove battery pack from your saw when you are assembling parts, making adjustments, assembling or removing blades, cleaning, or when not in use. Removing battery pack will prevent accidental starting that could cause serious personal injury.

TO REMOVE BATTERY PACK

See Figure 3.

- Locate latches on end of battery pack and depress to release battery pack from your saw.

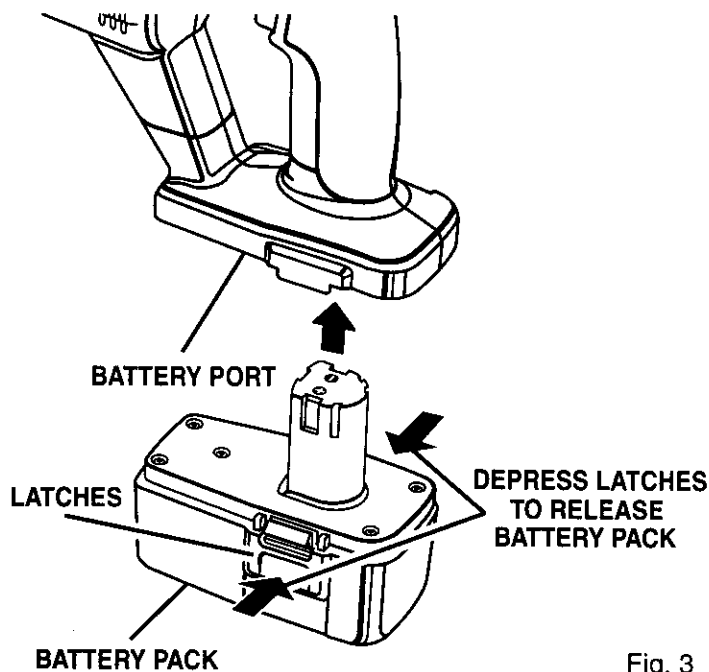


Fig. 3

- Remove battery pack from your saw.

TO INSTALL BATTERY PACK

See Figure 3.

- Place battery pack in your saw. Align raised rib inside saw with groove on battery pack.
- Make sure the latches on each side of your battery pack snap in place and battery pack is secured in saw before beginning operation.

- ⚠ **CAUTION:** When placing battery pack in your saw, be sure raised rib inside saw aligns with groove on battery pack and latches snap in place properly. Improper assembly of battery pack can cause damage to internal components.

TO INSTALL SAW BLADE

See Figure 4.

- Remove battery pack. See Figure 3.

- ⚠ **WARNING:** Failure to remove battery pack from saw could result in accidental starting causing possible serious personal injury.

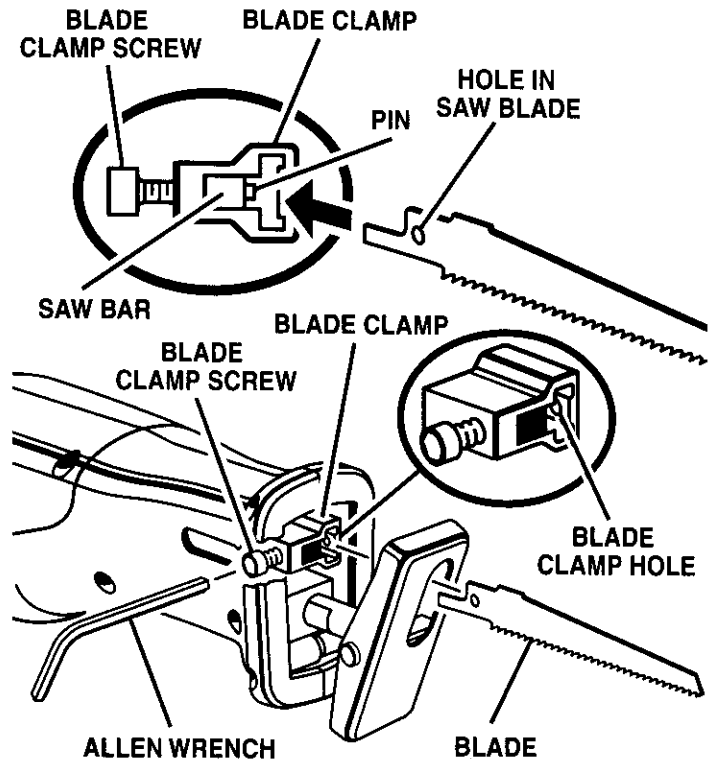


Fig. 4

- Remove the 5 mm Allen wrench provided with your saw from Allen wrench holder. **Note:** Allen wrench holder is located in bottom portion of saw handle. See Figure 1.
- Loosen the blade clamp screw enough to permit the saw blade to be inserted between blade clamp and saw bar.
Note: It is never necessary to remove the blade clamp screw from the blade clamp when installing or removing blade.
- Align the hole in the shank of the blade and blade clamp with the pin in the saw bar, then seat both on the pin in the saw bar.
- Tighten blade clamp screw securely.
- Remove Allen wrench and store it in Allen wrench holder.
- Replace battery pack.

OPERATION

⚠ WARNING: Always remove battery pack from your saw when you are assembling parts, making adjustments, assembling or removing blades, cleaning, or when not in use. Removing battery pack will prevent accidental starting that could cause serious personal injury.

Note: There may be times when the blade clamp sticks to the saw bar and will not loosen enough to allow blades to be installed or removed. If this happens, loosen the blade clamp screw with the Allen wrench, then tap lightly on the end of the Allen wrench with a mallet. See Figure 5.

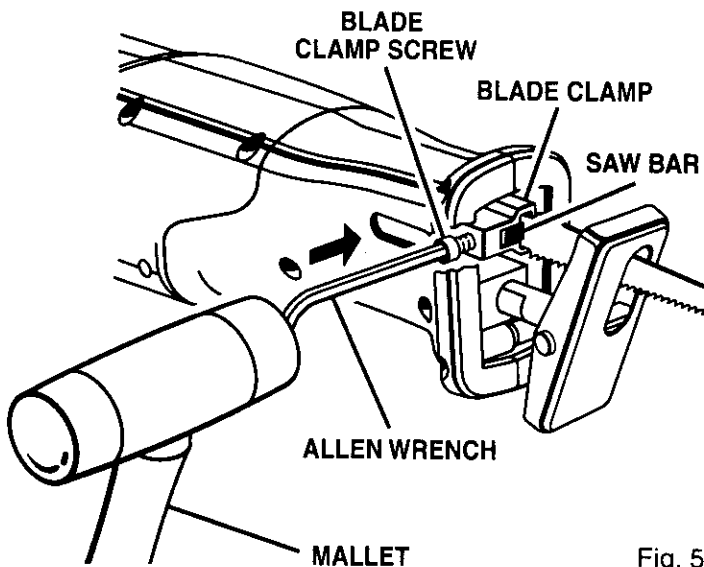


Fig. 5

BASE (SHOE) ASSEMBLY

See Figure 6.

The base assembly of your reciprocating saw pivots up and down in both directions. It also is adjustable, allowing the use of the blade teeth at different positions on the blade.

TO CHANGE POSITIONS OF BASE ASSEMBLY:

- Remove battery pack. See Figure 3.

⚠ WARNING: Failure to remove battery pack from saw could result in accidental starting causing possible serious personal injury.

- Loosen the set screw in the gear frame with the Allen wrench provided with this saw. See Figure 6.
- Reposition base assembly to desired position.
- Retighten set screw securely. **Do not** overtighten screw or use an aid with Allen wrench.
- Remove Allen wrench and store it in Allen wrench holder.

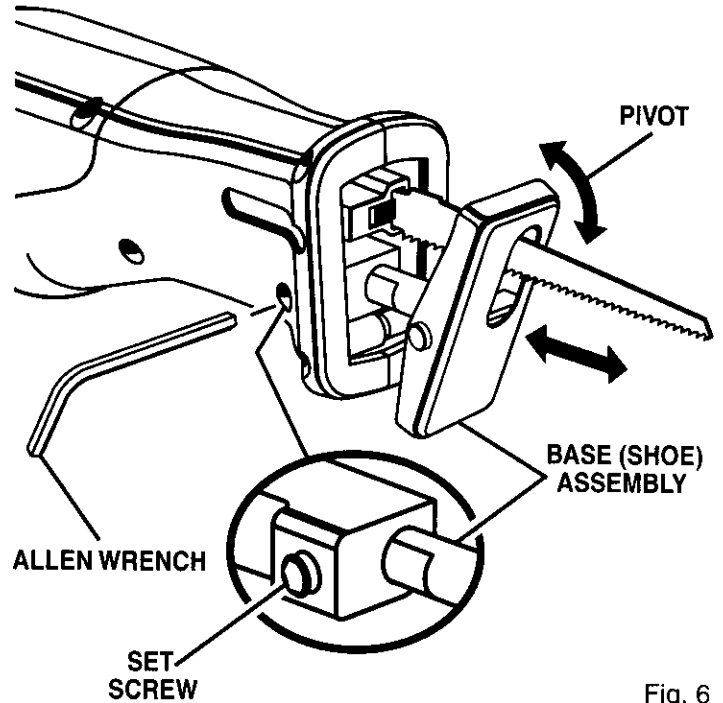


Fig. 6

GENERAL CUTTING

See Figure 7.

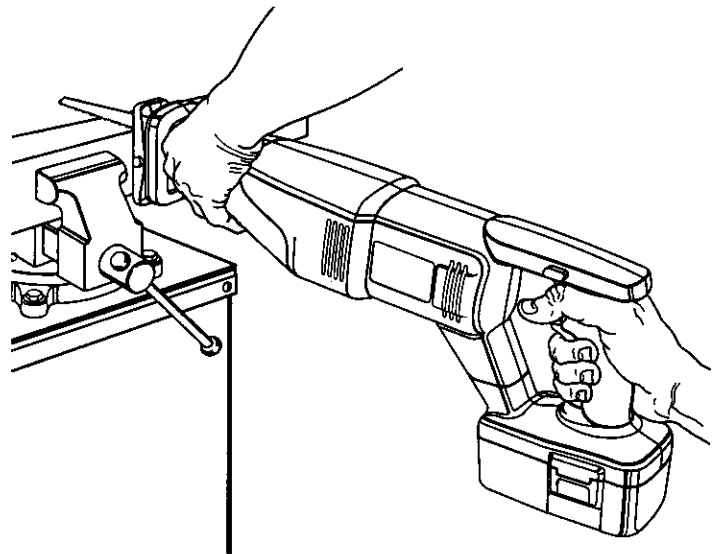


Fig. 7

Hold your saw firmly in front of and clearly away from you. Make sure saw blade is clear of any foreign material. Be sure material to be cut is held firmly. Small work pieces should be securely clamped in a vise or with clamps to the work bench or table. Mark the line of cut clearly. Depress the lock-off button, then pull switch trigger to start the cutting action. Place the base assembly against the work, then move the blade into the work. **Do not force.** Use only enough pressure to keep the saw cutting. Let the blade and saw do the work. Use of excessive pressure that causes bending or twisting of the blade may result in broken blades.

OPERATION

PLUNGE CUTTING

See Figure 8.

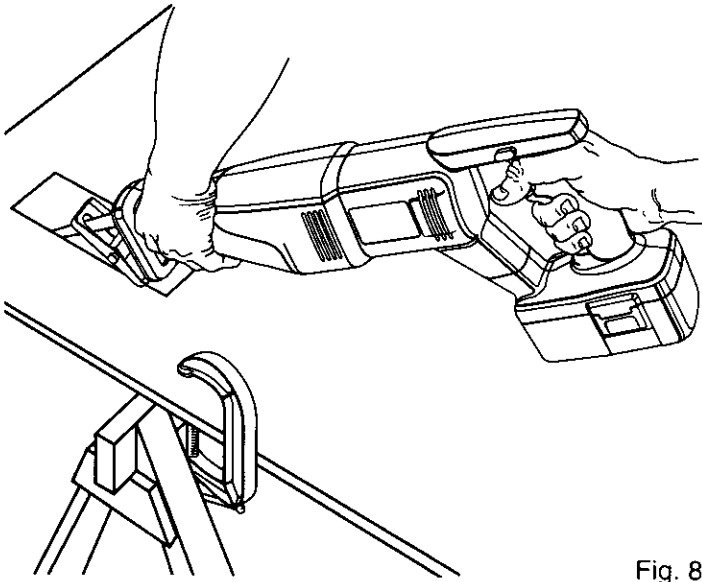


Fig. 8

Mark the line of cut clearly. Choose a convenient starting point inside the area to be cut out and place the tip of the blade over that point. Rest front edge of base assembly on work and hold firmly in position. Depress the lock-off button, then pull switch trigger to start the cutting action.

⚠ WARNING: Make sure blade does not touch work until motor reaches full speed, since this could cause loss of control resulting in serious injury.

With saw blade at full cutting speed, slowly tilt saw downward until tip of blade starts cutting work. After blade penetrates work, tilt saw until blade is perpendicular to the work.

METAL CUTTING

See Figure 9.

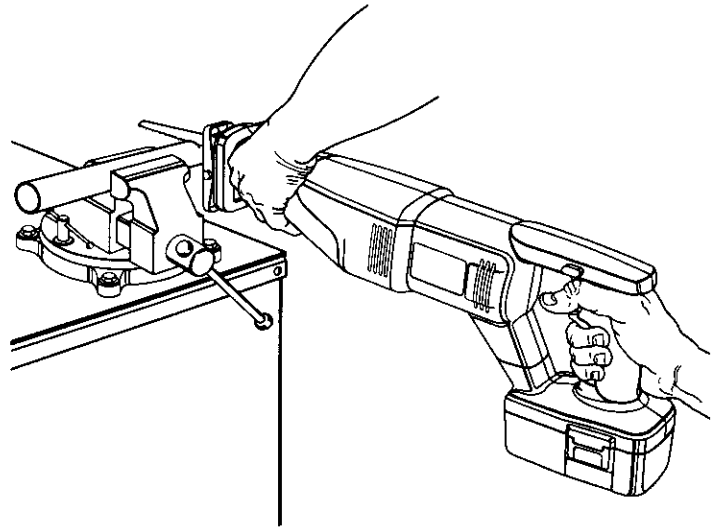


Fig. 9

Metals such as sheet steel, pipe, steel rods, aluminum, brass, and copper may be cut with your saw. Be careful not to twist or bend the saw blade. **Do not force.** We recommend cutting oil when cutting most soft metals and steel. Cutting oil will also keep blades cool, increase cutting action, and prolong blade life.

Never use gasoline since normal sparking of motor could ignite fumes. Clamp the work firmly and cut close to the clamping point to eliminate any vibration of the work being cut. When cutting conduit pipe or angle iron, clamp work in a vise if possible and cut close to the vise. To cut thin sheet material, "sandwich" the material between hardboard or plywood and clamp the layers to eliminate vibration and material tearing.

MAINTENANCE

⚠ WARNING: When servicing use only identical Craftsman replacement parts. Use of any other parts may create a hazard or cause product damage.

Avoid using solvents when cleaning plastic parts. Most plastics are susceptible to damage from various types of commercial solvents and may be damaged by their use. Use clean cloths to remove dirt, carbon dust, etc.

⚠ WARNING: Do not at any time let brake fluids, gasoline, petroleum-based products, penetrating oils, etc. come in contact with plastic parts. They contain chemicals that can damage, weaken, or destroy plastic.

Do not abuse power tools. Abusive practices can damage tool as well as workpiece.

Only the parts shown on parts list, page 15, are intended to be repaired or replaced by the customer. All other parts should be replaced by a qualified service technician at an authorized service facility.

⚠ WARNING: Do not attempt to modify this tool or create accessories not recommended for use with this tool. Any such alteration or modification is misuse and could result in a hazardous condition leading to possible serious personal injury.

BATTERIES

Your saw's battery pack is equipped with 15 nickel-cadmium rechargeable batteries. Length of service from each charging will depend on the type of work you are doing.

The batteries in this tool have been designed to provide maximum trouble free life. However, like all batteries, they will eventually wear out. **Do not** disassemble battery pack and attempt to replace the batteries. Handling of these batteries, especially when wearing rings and jewelry, could result in a serious burn.

To obtain the longest possible battery life, we suggest the following:

- Store and charge your batteries in a cool area. Temperatures above normal room temperature will shorten battery life.
- Never store batteries in a discharged condition. Recharge them immediately after they are discharged.
- All batteries gradually lose their charge. The higher the temperature the quicker they lose their charge. If you store your tool for long periods of time without using it, recharge the batteries every month or two. This practice will prolong battery life.



To preserve natural resources, please recycle or dispose of properly.

This product contains nickel-cadmium batteries. Local, state or federal laws may prohibit disposal of nickel-cadmium batteries in ordinary trash.

Consult your local waste authority for information regarding available recycling and/or disposal options.

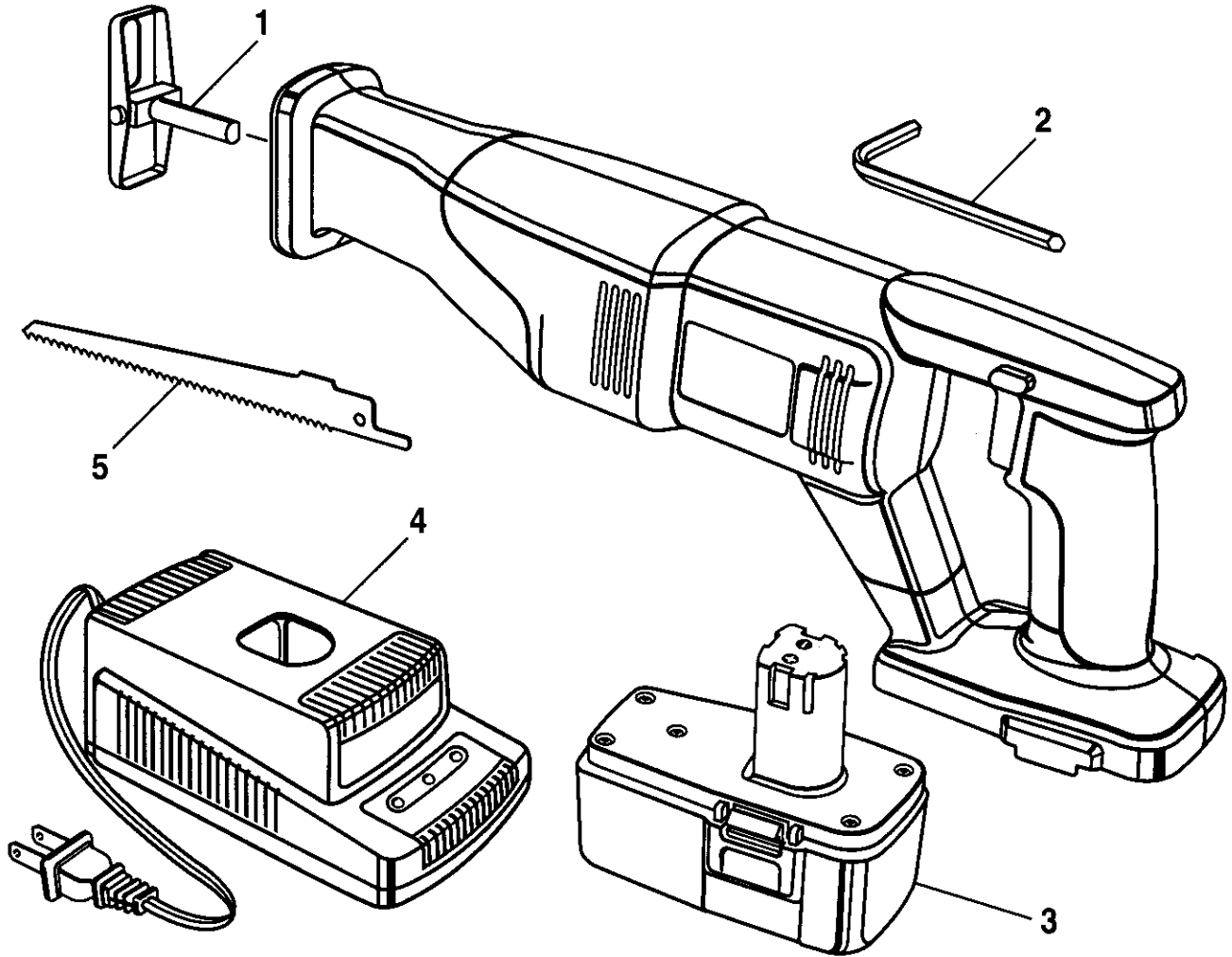
BATTERY PACK REMOVAL AND PREPARATION FOR RECYCLING

⚠ WARNING: Upon removal, cover the battery pack's terminals with heavy duty adhesive tape. Do not attempt to destroy or disassemble battery pack or remove any of its components. Nickel-cadmium batteries must be recycled or disposed of properly. Also, never touch both terminals with metal objects and/or body parts as short circuit may result. Keep away from children. Failure to comply with these warnings could result in fire and/or serious injury.

**CRAFTSMAN PROFESSIONAL CORDLESS RECIPROCATING SAW
MODEL NUMBER 315.274050**

The model number will be found on a plate attached to the motor housing. Always mention the model number in all correspondence regarding your **PROFESSIONAL CORDLESS RECIPROCATING SAW** or when ordering repair parts.

SEE BACK PAGE FOR PARTS ORDERING INSTRUCTIONS



PARTS LIST

Key No.	Part Number	Description	Quan.
1	981341-000	Base Assembly (Shoe)	1
2	981342-000	Allen Wrench	1
3	*	Battery Pack (Item No. 9-11098)	1
4	*	Battery Charger (Item No. 9-11089)	1
5	981343-000	Saw Blade Pack	1
6	981344-000	Carrying Case - Not Shown	1
	972000-698	Owner's Manual	

* Can Be Purchased Thru RSOS (Retail Special Order System)

**In U.S.A. or Canada
for in-home major brand repair service:**

Call 24 hours a day, 7 days a week

1-800-4-MY-HOMESM (1-800-469-4663)

Para pedir servicio de reparación a domicilio – 1-800-676-5811

Au Canada pour tout le service ou les pièces – 1-800-469 4663

For the repair or replacement parts you need:

Call 6 a.m. – 11 p.m. CST, 7 days a week

Parts DirectSM

1-800-366-PART (1-800-366-7278)

Para ordenar piezas con entrega a domicilio – 1-800-659-7084

For the location of a Sears Service Center in your area:

Call 24 hours a day, 7 days a week

1-800-488-1222

To purchase or inquire about a Sears Maintenance Agreement:

Call 7 a.m. – 5 p.m. CST, Monday – Saturday

1-800-827-6655

