

INSTALLATION INSTRUCTIONS FOR YOUR NEW 30" SEALED GAS COOKTOPS

Before you begin: Read these instructions completely and carefully.

IMPORTANT: Save these instructions for local inspector's use.

IMPORTANT: OBSERVE ALL GOVERNING CODES AND ORDINANCES.

INSTALLER: Be sure to leave these instructions with the Consumer.

CONSUMER: Keep these instructions with your Use and Care Book for future reference.

This appliance must be properly grounded.

FOR YOUR SAFETY



WARNING!! If the information in this manual is not followed exactly, a fire, explosion, or gas leak may result causing property damage, personal injury, or death.

DO NOT STORE OR USE GASOLINE OR OTHER FLAMMABLE VAPORS AND LIQUIDS IN THE VICINITY OF THIS OR ANY OTHER APPLIANCE!

WHAT TO DO IF YOU SMELL GAS:



- Do not try to light any appliance.
- Do not touch any electrical switch; do not use any phone in your building.
- Immediately call your gas supplier from a neighbor's phone. Follow the gas supplier's instructions.
- If you cannot reach your gas supplier, call the fire department.

Installation and service must be performed by a qualified installer, service agency or the gas supplier.

This cooktop has been design certified by the American Gas Association. You'll find safety precautions in your Use and Care book. Read them carefully.

SR10275
229C4053P040-3

- Installation of this cooktop must conform with local codes or in the absence of local codes with the National Fuel Gas Code, ANSI Z223.1-Latest edition.
- Be sure your cooktop is installed properly by a qualified installer or service technician.
- Do not store items of interest to children in cabinets above the cooktop. They could be seriously burned climbing on the cooktop to reach them.
- To eliminate reaching over surface burners, cabinet storage above burner should be avoided.
- Adjust surface burner flame size so it does not extend beyond the edge of the cooking utensil.
- Do not install the unit near an outside door or where a draft may affect its use.

TOOL LIST

- 1/8" drill bit
- Electric or hand drill
- No. 1 or No. 2 Phillips screwdriver
- Pencil
- Ruler and straightedge
- Hand or saber saw
- Pipe wrench
- Adjustable wrench
- 3/16" hex socket driver
- 12" spirit level

ADDITIONAL MATERIAL YOU MAY NEED:

- Gas line shut-off valve
- Pipe joint sealant
- 1/2" pipe nipple

For flexible connection where local codes permit:

- Coated and approved flexible metal tubing (same 3/4" or 1/2" I.D. as gas supply line)
- Adaptor or connector

For rigid connection:

- Pipe fittings or union as required

ELECTRICAL REQUIREMENTS

This Appliance must be electrically grounded. Check with your local codes which apply in your area. If no local codes apply, the National Electrical Code, ANSI/NFPA No. 70-Latest Edition must be followed.

Write to:

**National Fire Protection Association
Batterymarch Park
Quincy, MA 02269**

Be sure the installation of this cooktop in a mobile home conforms with the Manufactured Home Construction and Safety Standard, Title 24 CFR, Part 3280. If this standard does not apply, you must follow the standard for Manufactured Home Installations, ANSI A225. 1 and Manufactured Home Installations, Sites, and Communities and ANSI/NFPA 501A or with local codes. You can get a copy of the Federal Standard by Writing:

**Office of Mobile Home Standards
HUD Building
451 7th Street, S.W.
Washington, D.C. 24010**

PREPARE THE OPENING

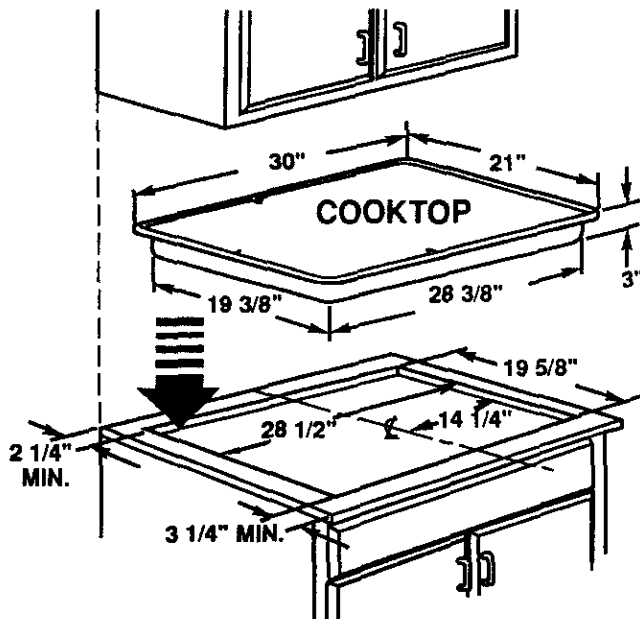


Fig. 1

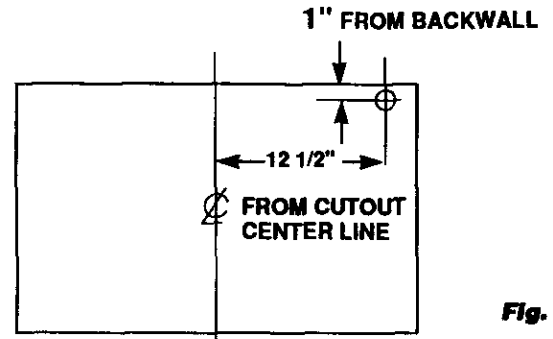


Fig. 2

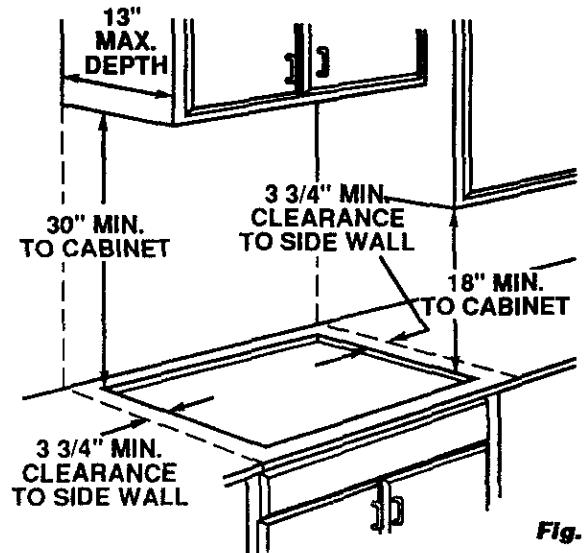


Fig. 3

- Make sure the wall coverings, countertop and cabinets around the cooktop can withstand the heat (up to 200°F) generated by the cooktop.
- Provide adequate clearances between cooktop and adjacent combustible surfaces.

PROVIDE ADEQUATE GAS SUPPLY

This cooktop is designed to operate on natural gas at 4" of water column pressure. It is shipped from the factory set for natural gas.

A convertible pressure regulator is connected in series with the manifold of the cooktop and must remain in series with the supply line regardless of whether natural or L.P. gas is being used.

FOR PROPER OPERATION, THE MAXIMUM INLET PRESSURE TO THE REGULATOR MUST BE NO MORE THAN 14" OF WATER COLUMN PRESSURE.

For checking the regulator, the inlet pressure must be at least 1" (or 3.4 KPA) greater than the regulator output setting. If the regulator is set for 4" of water column pressure, the inlet pressure must be at least 5". If the regulator is set for 10", the inlet pressure must be at least 11".

The gas supply line to the cooktop should be 1/2" or 3/4" pipe.



IMPORTANT: Remove all packing material and literature from the cooktop before connecting gas and electrical supplies.



DO NOT USE OPEN FLAME TO CHECK FOR LEAKS!

GAS CONNECTIONS

1. Connect the cooktop to the gas supply line.
2. Never reuse old connectors when installing this cooktop.



WARNING: Never reuse old flexible connectors. The use of old flexible connectors can cause gas leaks and personal injury. Always use new flexible connectors when installing a gas appliance.

3. Install a manual shutoff valve in the gas line in an easily accessible location outside the cooktop. Be sure you know how and where to shut off the gas supply to the cooktop.

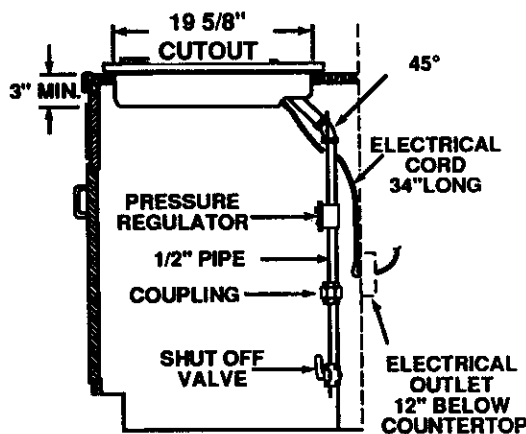


Fig. 4

4. Check for leaks. After connecting cooktop to gas, check system for leaks with a manometer. If a manometer is not available, turn the gas supply on to the cooktop and use a liquid leak detector at all joints and connections to check for leaks.

Tighten all connections if necessary to prevent gas leakage in the cooktop or supply line.

Check alignment of valves after connecting the cooktop to the gas supply to be sure the manifold pipe has not been moved. A misalignment could cause the valve knob stem to rub on the control panel, resulting in a gas leak at the valve.

Disconnect this cooktop and its individual shutoff valve from the gas supply piping system during any pressure testing of that system at test pressures greater than 1/2" psig.

Isolate the cooktop from the gas supply piping system by closing its individual shutoff valve during any pressure testing of the gas supply system at test pressures equal to or less than 1/2" psig.

INSTALLATION OVER BUILT-IN OVEN

See built-in oven installation for complete installation instruction.

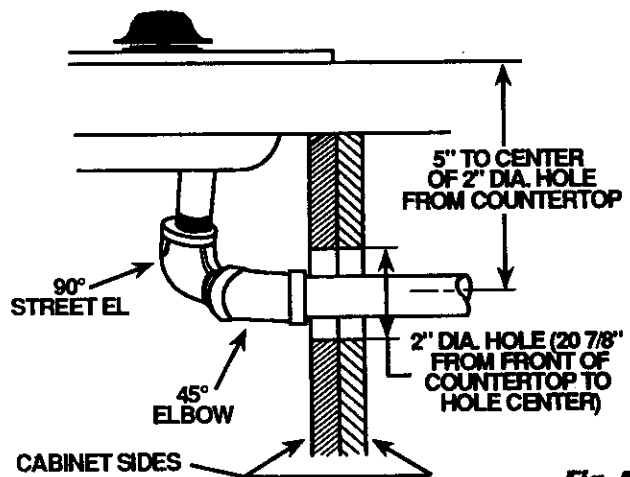


Fig. 5

ELECTRICAL CONNECTION

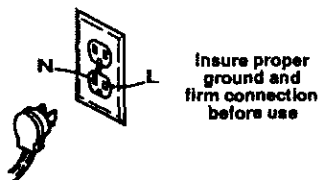
Because of potential safety hazards under certain conditions we strongly recommend against the use of an extension cord. However, if you still elect to use an extension cord, it is absolutely necessary that it be a UL listed 3-wire grounding type appliance extension cord and that the current carrying rating of the cord in amperes be equivalent to or greater than the branch circuit rating. Such extension cords are obtainable through your local appliance dealer.



IMPORTANT: (Please read carefully) FOR PERSONAL SAFETY, THIS APPLIANCE MUST BE PROPERLY GROUNDED.

An adequate electrical supply and outlet must be used to operate the electrical parts of your cooktop.

1. The power cord of this appliance is equipped with a three-prong (grounding) plug which must be used with a properly grounded three-hole outlet with a standard 120 Volt, 60 cycle AC household current.
2. If you do not have a three-hole grounded outlet, have a qualified electrician change your old one.
3. A grounding adaptor will be needed to convert the old one until the outlet can be replaced. This method is only temporary, and a qualified electrician should test it to be sure it meets requirements.

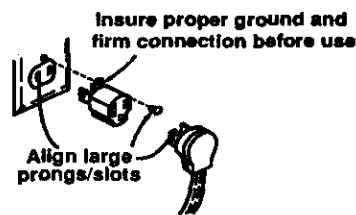


Where a standard two-prong wall receptacle is encountered, it is the personal responsibility and obligation of the customer to have it replaced with a properly grounded three-prong wall receptacle.



Do not under any circumstances cut or remove grounding prong from cooktop cord. Failure to provide proper polarization may create a hazardous condition.

For 15 amp circuit only. **Do not** use an adaptor on a 20 amp circuit. Where local codes permit, a **TEMPORARY CONNECTION** may be made to a properly grounded two-prong wall receptacle by the use of a UL listed adaptor available at most hardware stores. The larger slot in the adaptor must be aligned with the large slot in the wall receptacle to provide proper polarity in the connection of the power cord.



Temporary method
(Adaptor plugs not permitted in Canada)



CAUTION: Attaching the adaptor ground terminal to the wall receptacle cover screw does not ground the appliance unless the screw is metal, and not insulated, and the wall receptacle is grounded through the housewiring. The customer should have the circuit checked by a qualified electrician to make sure the receptacle is properly grounded.

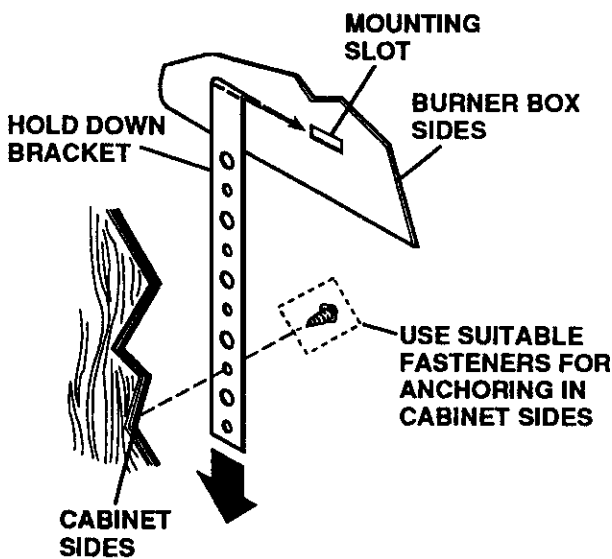
When disconnecting the power cord from the adaptor, always hold the adaptor with one hand. If this is not done the adaptor ground terminal is very likely to break with repeated use. Should this happen, **DO NOT USE** the appliance until a proper ground has again been established.

USAGE SITUATIONS WHERE APPLIANCE POWER CORD WILL BE DISCONNECTED FREQUENTLY.

Do not use an adaptor plug in these situations because disconnection of the power cord places undue strain on the adaptor and leads to eventual failure of the adaptor ground terminal. The customer should have the two-prong wall receptacle replaced with a three-prong (grounding) receptacle by a qualified electrician before using the appliance.

INSTALLING UNIT IN A STANDARD OR TILE COUNTER

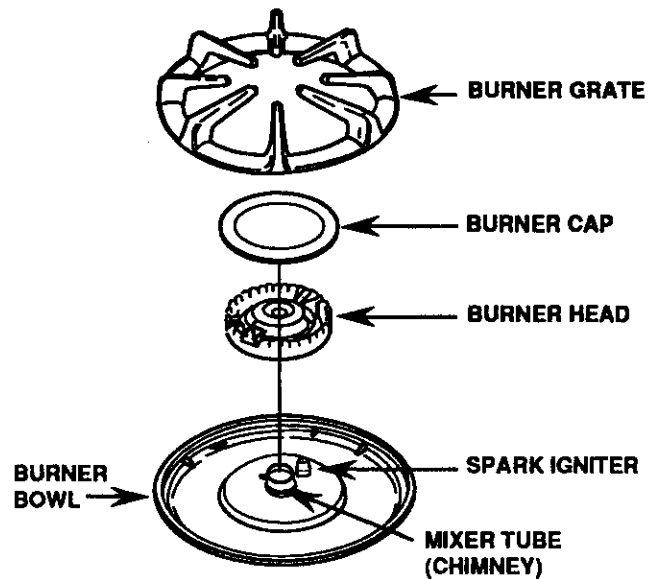
1. Before installing the unit in the cutout, attach the adhesive backed foam tape (shipped with unit) around the bottom surface of the glass, near the edge of the maintop.
2. Attach the unit to the counter. Insert the hold down brackets in the slots on each side of the unit.
3. Use the screws supplied to attach unit to counter as shown. The unit must rest on the metal flange around the burner box and not on the glass.



ASSEMBLING THE COOKTOP BURNERS



The electrode of the spark igniter is exposed. Be careful not to push any cooktop controls while the top of the burner is removed. Do not remove the top or touch the electrode of any burner while another burner is turned on. Electrical shock might result.



CHECK THE IGNITERS

Operation of electric igniters should be checked after cooktop and supply line connectors have been carefully checked for leaks and cooktop has been connected to electric power.

1. Push and turn a burner valve to the LITE position.
 - a. The burner valve should light when gas is available to burner.
 - b. Once the burner lights, it should be turned out of the LITE position.
2. Try each valve separately until all burners have been checked.

BURNER IGNITION

COOKTOP SPARK IGNITION - When you turn the cooktop knob to LITE, the spark igniter makes a series of electric sparks (ticking sounds) which light the burner.

During a power failure the burners will not light automatically. In an emergency, a cooktop burner may be lit with a match by following the steps below.

**WARNING:**

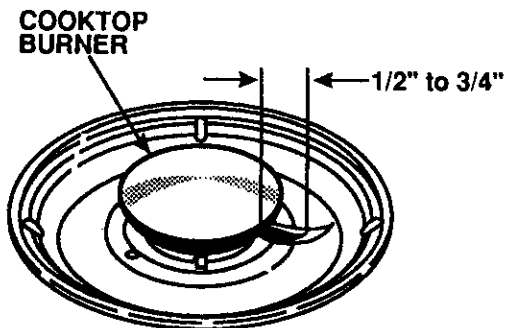
If you attempt to measure the inner cone of the flame, please use caution. Burns could result.

1. Light a match and hold the flame near the burner you want to light. Wooden matches work best.
2. Push in and turn the control knob slowly. Be sure you are turning the correct knob for the burner you are lighting.

NOTE: *If the burner does not light within five seconds, turn the knob off and wait one minute before trying again.*

ABOUT THE BURNER FLAMES

Turn each burner on. Flames should be blue in color with no trace of yellow. The burner flames should not flutter or blow away from the burner. The inner cone of the flame should be between 1/2" to 3/4" long.



BURNERS SHOULD BE CHECKED FREQUENTLY

WHEN ALL HOOKUPS ARE COMPLETED

Double check to make sure everything in this guide has been completed. Rechecking steps will ensure safe use of the cooktop.

MAKE SURE ALL CONTROLS ARE LEFT IN THE OFF POSITION.

MAKE SURE THE FLOW OF COMBUSTION AND VENTILATION AIR TO THE COOKTOP IS UNOBSTRUCTED.

The serial plate for your cooktop is located on the bottom of the burner box. In addition to the model and serial numbers, it tells you the ratings of the burners and type of fuel and pressure the cooktop was adjusted for when it left the factory.

When ordering parts, always include the serial number, model number and code letter to ensure proper replacement parts. Parts may be obtained through Sears Service Centers or retail stores.

RECHECK STEPS

Double check to make sure everything in this guide has been completed. Rechecking steps will ensure safe use of the cooktop.

MAKING THE L.P. CONVERSION

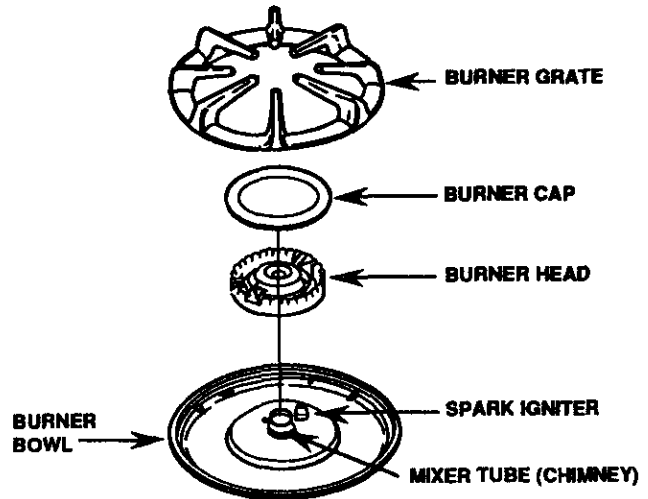
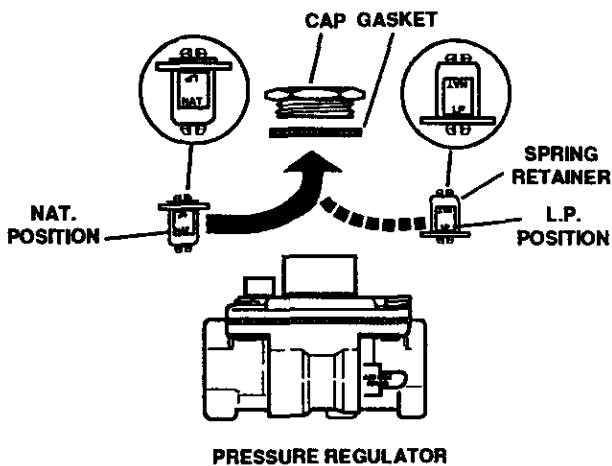
The pressure regulator and the burner orifices are set for natural gas. To use Propane Gas, the regulator and burner orifices must be converted.



CAUTION: The counter unit, as shipped from the factory, is set for use with natural gas. If you wish to use your unit with Liquefied Petroleum (Propane) gas, you must first replace the orifices and convert the pressure regulator.

To adjust your cooktop for use with L.P. gas, follow these instructions:

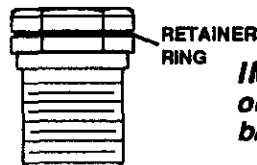
1. Disconnect all electrical power, at the main circuit breaker or fuse box.
2. Shut off the gas supply to the cooktop by closing the manual shut-off valve.
3. Adjust the Pressure Regulator:
 - A. Unscrew the cap.
 - B. Place your thumb against the flat side of the spring retainer and press down to remove the retainer.
 - C. Carefully look at the spring retainer to locate the NAT or LP position.
 - D. Turn the spring retainer over so that LP is showing on the bottom.
 - E. Snap the retainer back into position.



- B. Using a 7mm or 9/32" nut driver, remove the top burner orifices. These may be accessed through the burner air/gas mixer tube (chimney).



NOTE: The orifices have a spring loaded retaining ring around the hex head to hold the orifice in the nut driver during installation and removal. A slight amount of force is required to push the nut driver down over the ring.



IMPORTANT: Save these orifices for future conversion back to natural gas.

4. Change the cooktop burner orifices:
 - A. Remove the top grates, burner caps and burner head.

5. Locate the L.P./Propane orifices.

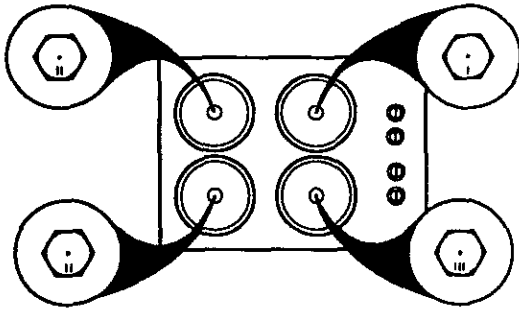
The L.P./Propane orifices are shipped in the literature package. They will have a digit number and the letter "L" on one side.

Each orifice will also show a series of engraved marks, (I, II or III), located on the top.



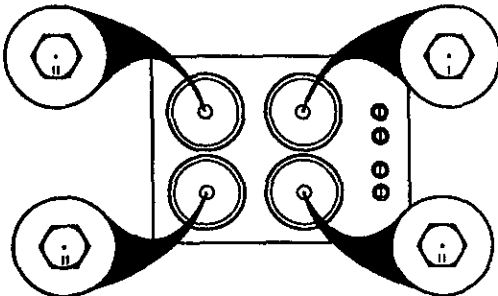
These marks denote the precise location of each orifice to the cooktop burner.

GLASS COOKTOP



6. Install the L.P./Propane orifices in their precise locations.

PORCELAIN COOKTOP



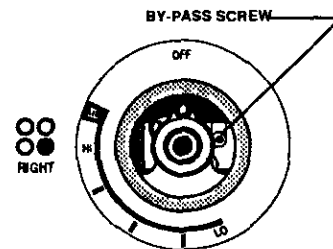
ADJUSTING BURNER FLAMES



CAUTION:

The following adjustments must be made before turning on the burner. Failure to do so could result in serious injury. Be sure pressure regulator has been converted.

1. Turn all burners full on and check the flames.
 - A. They should be blue in color with no trace of yellow. Foreign particles in the gas line may cause an orange flame at first, but this will soon disappear.
2. To make adjustments, remove the control knobs and panel. Insert a screwdriver in the shaft to adjust the valve by-pass screw.



- A. If the flames were yellow or fluttered, open the valve more than the original setting.
 - B. If the flames blew away from the burner, close the valve more than the original setting.
3. Make the adjustment, by slowly turning the screw until flame appearance is correct. Adjust the low flame setting using the valve by-pass screw as follows:
 - A. Low setting adjustments must be made with two other burners in operation on a medium setting.
 - B. This procedure prevents the low flame from being set too low resulting in the flame being extinguished when other burners are turned on.

TO CONVERT THE COOKTOP BACK TO NATURAL, GAS REVERSE THE STEPS UNDER MAKING THE L.P. CONVERSION.



Recycled Paper

— Printed in the United States —