

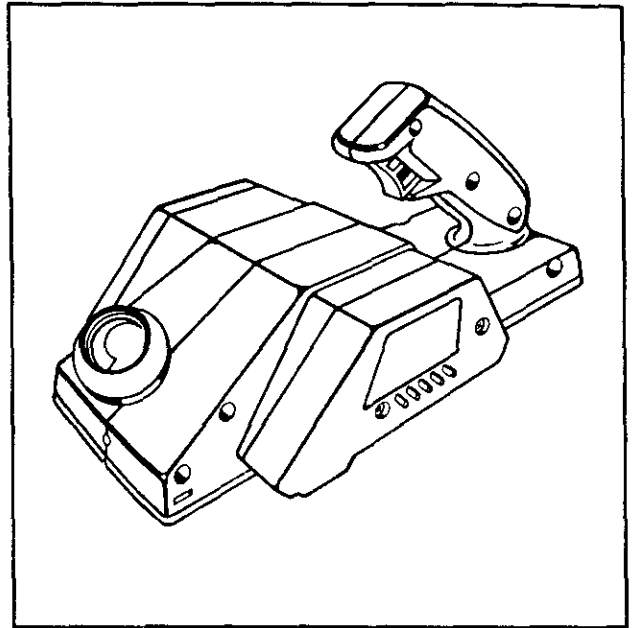
**SEARS**

OWNERS  
MANUAL

MODEL NO.  
315.173710

CAUTION:  
Read Rules for  
Safe Operation  
and Instructions  
Carefully

SAVE THIS  
MANUAL FOR  
FUTURE REFERENCE



**CRAFTSMAN<sup>®</sup>**  
**POWER PLANER**  
**DOUBLE INSULATED**

Warranty  
Introduction  
Operation  
Maintenance  
Repair Parts



Designed exclusively for and sold only by  
SEARS, ROEBUCK AND CO., Hoffman Estates, IL 60179

612547-404  
10-00

Printed In U.S.A.

### **FULL ONE YEAR WARRANTY ON CRAFTSMAN PLANER**

If this Craftsman Planer fails to give complete satisfaction within one year from the date of purchase **RETURN IT TO THE NEAREST SEARS STORE IN THE UNITED STATES** and Sears will repair it, free of charge.

If this Craftsman Planer is used for commercial or rental purposes, this warranty applies for only 90 days from the date of purchase.

This warranty gives you specific legal rights, and you may also have other rights which vary from state to state.

**SEARS, ROEBUCK AND CO., DEPT. 817 WA, HOFFMAN ESTATES, IL 60179**

## **INTRODUCTION**

**DOUBLE INSULATION** is a concept in safety, in electric power tools, which eliminates the need for the usual three wire grounded power cord and grounded supply system. Wherever there is electric current in the tool there are two complete sets of insulation to protect the user. All exposed metal parts are isolated from internal metal motor components with protecting insulation.

**IMPORTANT** - Servicing of a tool with double insulation requires extreme care and knowledge of the system and should be performed only by a qualified service technician. For service we suggest you return the tool to your nearest Sears Store for repair. Always use original factory replacement parts when servicing.

### **RULES FOR SAFE OPERATION**

**WARNING : DO NOT ATTEMPT TO OPERATE THIS TOOL UNTIL YOU HAVE READ THOROUGHLY AND UNDERSTAND COMPLETELY ALL INSTRUCTIONS, SAFETY RULES, ETC. CONTAINED IN THIS MANUAL. FAILURE TO COMPLY CAN RESULT IN ACCIDENTS INVOLVING FIRE, ELECTRIC SHOCK, OR SERIOUS PERSONAL INJURY. SAVE OWNERS MANUAL AND REVIEW FREQUENTLY FOR CONTINUING SAFE OPERATION, AND INSTRUCTING OTHERS WHO MAY USE THIS TOOL.**

#### **READ ALL INSTRUCTIONS**

- 1. KNOW YOUR POWER TOOL** - Read owner's manual carefully. Learn its applications and limitations as well as the specific potential hazards related to this tool.
- 2. GUARD AGAINST ELECTRICAL SHOCK BY PREVENTING BODY CONTACT WITH GROUNDED SURFACES.** For example: Pipes, radiators, ranges, refrigerator enclosures.
- 3. KEEP GUARDS IN PLACE** and in working order.
- 4. KEEP WORK AREA CLEAN.** Cluttered areas and benches invite accidents.
- 5. AVOID DANGEROUS ENVIRONMENT.** Don't use power tool in damp or wet locations or expose to rain. Keep work area well lit.
- 6. KEEP CHILDREN AND VISITORS AWAY.** All visitors should wear safety glasses and be kept a safe distance from work area. Do not let visitors contact tool or extension cord.
- 7. STORE IDLE TOOLS.** When not in use tools should be stored in a dry, high or locked-up place - out of the reach of children.
- 8. DON'T FORCE TOOL.** It will do the job better and safer at the rate for which it was designed.
- 9. USE RIGHT TOOL.** Don't force small tool or attachment to do the job of a heavy duty tool. Don't use tool for purpose not intended - for example - Don't use a circular saw for cutting tree limbs or logs.
- 10. WEAR PROPER APPAREL.** No loose clothing or jewelry to get caught in moving parts. Rubber gloves and non-skid footwear are recommended when working outdoors. Also, wear protective hair covering to contain long hair and keep it from being drawn into air vents.
- 11. ALWAYS WEAR SAFETY GLASSES.** Everyday eyeglasses have only impact-resistant lenses; they are **NOT** safety glasses.
- 12. PROTECT YOUR LUNGS.** Wear a face or dust mask if cutting operation is dusty.
- 13. PROTECT YOUR HEARING.** Wear hearing protection during extended periods of operation.

## RULES FOR SAFE OPERATION (Continued)

14. **DON'T ABUSE CORD.** Never carry tool by cord or yank it to disconnect from receptacle. Keep cord from heat, oil and sharp edges.
15. **SECURE WORK.** Use clamps or a vise to hold work. Both hands are needed to operate the tool.
16. **DON'T OVERREACH.** Keep proper footing and balance at all times. Do not use on a ladder or unstable support.
17. **MAINTAIN TOOLS WITH CARE.** Keep tools sharp at all times, and clean for best and safest performance. Follow instructions for lubricating and changing accessories.
18. **DISCONNECT TOOLS.** When not in use, before servicing, or when changing attachments, blades, bits, cutters, etc., all tools should be disconnected from power supply.
19. **REMOVE ADJUSTING KEYS AND WRENCHES.** Form habit of checking to see that keys and adjusting wrenches are removed from tool before turning it on.
20. **AVOID ACCIDENTAL STARTING.** Don't carry plugged-in tools with finger on switch. Be sure switch is off when plugging in.
21. **MAKE SURE YOUR EXTENSION CORD IS IN GOOD CONDITION.** When using an extension cord, be sure to use one heavy enough to carry the current your product will draw. An undersized cord will cause a drop in line voltage resulting in loss of power and overheating. A wire gage size (A.W.G.) of at least 16 is recommended for an extension cord 100 feet or less in length. A cord exceeding 100 feet is not recommended. If in doubt, use the next heavier gage. The smaller the gage number, the heavier the cord.
22. **OUTDOOR USE EXTENSION CORDS.** When tool is used outdoors, use only extension cords suitable for use outdoors. Outdoor approved cords are marked with the suffix W-A, for example - SJTW-A or SJOW-A.
23. **KEEP BLADES CLEAN.** Periodically check blades and chip exhaust for chip build-up. Clean blades minimize stalling and kickback.
24. **KEEP HANDS AWAY FROM PLANING AREA.** Keep hands away from blades. Do not reach underneath work while blades are rotating. Do not attempt to remove material while blades are rotating. **BLADES CONTINUE TO ROTATE AFTER RELEASING OF SWITCH TRIGGER.**
25. **NEVER USE IN AN EXPLOSIVE ATMOSPHERE.** Normal sparking of the motor could ignite fumes.
26. **INSPECT TOOL CORDS PERIODICALLY** and if damaged, have repaired at your nearest Sears Repair Center. Stay constantly aware of cord location.
27. **INSPECT EXTENSION CORDS PERIODICALLY** and replace if damaged.
28. **KEEP HANDLES DRY, CLEAN, AND FREE FROM OIL AND GREASE.** Always use a clean cloth when cleaning. Never use brake fluids, gasoline, petroleum-based products or any strong solvents to clean your tool.
29. **STAY ALERT.** Watch what you are doing and use common sense. Do not operate tool when you are tired. Do not rush.
30. **CHECK DAMAGED PARTS.** Before further use of the tool, a guard or other part that is damaged should be carefully checked to determine that it will operate properly and perform its intended function. Check for alignment of moving parts, binding of moving parts, breakage of parts, mounting, and any other conditions that may affect its operation. A guard or other part that is damaged should be properly repaired or replaced by an authorized service center unless indicated elsewhere in this instruction manual.
31. **DO NOT USE TOOL IF SWITCH DOES NOT TURN IT ON AND OFF.** Have defective switches replaced by an authorized service center.
32. Inspect for and remove all nails from lumber before planing.
33. **DRUGS, ALCOHOL, MEDICATION.** Do not operate tool while under the influence of drugs, alcohol, or any medication.
34. **WHEN SERVICING USE ONLY IDENTICAL CRAFTSMAN REPLACEMENT PARTS.**
35. **POLARIZED PLUGS.** To reduce the risk of electric shock, this tool has a polarized plug (one blade is wider than the other). This plug will fit in a polarized outlet only one way. If the plug does not fit fully in the outlet, reverse the plug. If it still does not fit, contact a qualified electrician to install the proper outlet. Do not change the plug in any way.
36. **SAVE THESE INSTRUCTIONS.** Review them frequently and use them to instruct others who may use this tool. If you loan someone this tool, loan them these instructions also.

**▲WARNING:** SOME DUST CREATED BY POWER SANDING, SAWING, GRINDING, DRILLING, AND OTHER CONSTRUCTION ACTIVITIES CONTAINS CHEMICALS KNOWN TO CAUSE CANCER, BIRTH DEFECTS OR OTHER REPRODUCTIVE HARM. SOME EXAMPLES OF THESE CHEMICALS ARE:

- LEAD FROM LEAD-BASED PAINTS,
- CRYSTALLINE SILICA FROM BRICKS AND CEMENT AND OTHER MASONRY PRODUCTS, AND
- ARSENIC AND CHROMIUM FROM CHEMICALLY-TREATED LUMBER.

YOUR RISK FROM THESE EXPOSURES VARIES, DEPENDING ON HOW OFTEN YOU DO THIS TYPE OF WORK. TO REDUCE YOUR EXPOSURE TO THESE CHEMICALS: WORK IN A WELL VENTILATED AREA, AND WORK WITH APPROVED SAFETY EQUIPMENT, SUCH AS THOSE DUST MASKS THAT ARE SPECIALLY DESIGNED TO FILTER OUT MICROSCOPIC PARTICLES.

**▲WARNING:**



The operation of any power tool can result in foreign objects being thrown into your eyes, which can result in severe eye damage. Before beginning power tool operation, always wear safety goggles or safety glasses with side shields and a full face shield when needed. We recommend Wide Vision Safety Mask for use over eyeglasses or standard safety glasses with side shields, available at Sears Retail Stores.

# OPERATION

Your Craftsman Power Planer has been designed to do the many planing operations which cannot be performed conveniently or efficiently with a larger power planer. It is compact, lightweight, and equipped with a depth adjusting knob located at the front of your unit. This knob also serves as a front handle.

When used properly, your planer should take the guesswork out of planing, sizing, or beveling of doors, windows, shutters, drawer slides and other work. However, as with any powerful, high speed tool, your Power Planer requires accurate set-ups and handling. Practice cutting on scrap lumber before attempting to plane finished lumber.

**▲ WARNING: ALWAYS DISCONNECT YOUR PLANER FROM POWER SUPPLY WHEN YOU ARE ASSEMBLING PARTS, CHANGING BELTS, CHANGING BLADES, OR MAKING ADJUSTMENTS. FAILURE TO DO SO COULD RESULT IN POSSIBLE SERIOUS INJURY.**

**▲ WARNING: IF ANY PARTS ARE MISSING DO NOT OPERATE YOUR PLANER UNTIL THE MISSING PARTS ARE REPLACED. FAILURE TO DO SO COULD RESULT IN POSSIBLE SERIOUS PERSONAL INJURY.**

Make sure power supply is 120 volts, 60 Hz, AC only.

## KNOW YOUR PLANER

See Figure 1.

Before attempting to use your planer familiarize yourself with all operating features and safety requirements.

**▲ WARNING: DO NOT ALLOW FAMILIARITY WITH YOUR PLANER TO MAKE YOU CARELESS. REMEMBER THAT A CARELESS FRACTION OF A SECOND IS SUFFICIENT TO INFLICT SEVERE INJURY.**

**▲ WARNING: ALWAYS WEAR SAFETY GOGGLES OR SAFETY GLASSES WITH SIDE SHIELDS WHEN OPERATING YOUR PLANER. FAILURE TO DO SO COULD RESULT IN OBJECTS BEING THROWN INTO YOUR EYES, RESULTING IN POSSIBLE SERIOUS INJURY.**

**ALWAYS OPERATE YOUR PLANER WITH THE CHIP EXHAUST TURNED AWAY FROM YOUR FACE AND EYES. ALL VISITORS SHOULD WEAR SAFETY GLASSES AND BE KEPT A SAFE DISTANCE FROM WORK AREA.**

### SWITCH

HOLD YOUR PLANER SO THAT THE BLADES DO NOT CONTACT WORKPIECE BEFORE DEPRESSING THE SWITCH. Start your planer by depressing the switch trigger in the handle. To turn your planer OFF, release the switch trigger.

### ▲ CAUTION:

**PLANING TOO FAST INCREASES CHIP BUILD-UP IN THE CHIP EXHAUST. CHIP BUILD-UP RESTRICTS AIRFLOW AND CAN CAUSE MOTOR OVERHEATING.**

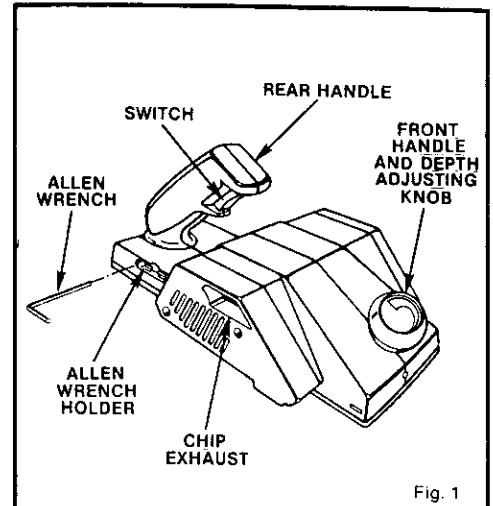


Fig. 1

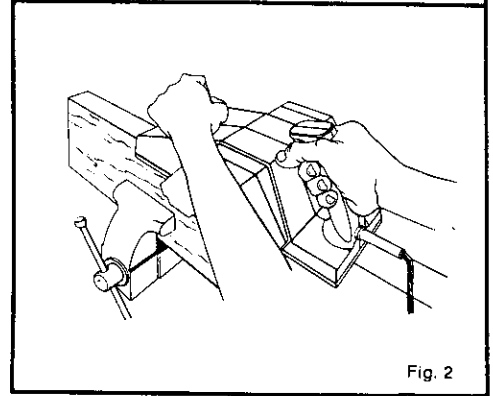


Fig. 2

### PREPARING FOR OPERATION

For ease of operation your planer has both a front handle and a rear handle. See Figure 1. NOTE: The front handle also serves as the depth adjusting knob. This provides for two-hand operation, which is necessary in order to maintain proper control of your planer and keep both hands clear of the blades and cutting area. When operating your planer always use both hands holding the depth adjusting knob with your left hand and the rear handle with your right hand as shown in Fig. 2. In this position, your planer is easier to handle and you are clear of the chip exhaust.

## OPERATION (Cont.)

Keep cord away from the cutting area. ALWAYS place the cord to prevent it from hanging on the work while making a cut. If the cord hangs up on the work during a cut, release the switch trigger immediately. Unplug your planer and check cord for damage. If no damage, reposition the cord to prevent it from hanging up again.

**DANGER: IF THE CORD HAS BEEN DAMAGED, HAVE IT REPLACED BEFORE USING YOUR PLANER.**

**⚠ WARNING: USING YOUR PLANER WITH A DAMAGED CORD COULD CAUSE ELECTRICAL SHOCK RESULTING IN SERIOUS INJURY.**

**KNOW THE RIGHT WAY TO USE YOUR PLANER. SEE FIG. 2. NEVER USE YOUR PLANER AS SHOWN IN FIGURES 3 AND 4.**

**ALWAYS** keep control of your planer. It makes cutting easier and safer. To help keep control, always support your work so the cut will be on your right. Clamp your work so it will not move during the cut. See Figure 5. The work moving during a cut could result in the loss of control of your planer possibly causing serious injury.

### TO ADJUST PLANING DEPTH

**DISCONNECT YOUR PLANER FROM POWER SUPPLY WHILE ASSEMBLING PARTS OR MAKING ADJUSTMENTS.**

Planing depth is adjustable from 0 to .020 inch and is adjusted by rotating the depth adjusting knob located on the front of your planer. See Figure 6. To increase cutting depth, rotate knob clockwise. To decrease cutting depth, rotate knob counterclockwise. It is recommended that test cuts be made in scrap wood after each adjustment to make sure that the desired amount of wood is being removed by your planer. **NOTE: TO PROTECT BLADES DURING STORAGE, TRANSPORTING, ETC., SET DEPTH ADJUSTING TO 0.**

### GENERAL CUTTING

Adjust your planer to desired depth of cut. WITH YOUR LEFT HAND HOLDING THE DEPTH ADJUSTING KNOB AND YOUR RIGHT HAND HOLDING THE REAR HANDLE, place front shoe on workpiece. Make sure blades are not touching the work. Apply pressure to the depth adjusting knob so that the front shoe is flat on the work. Pull switch trigger to start your planer and let the motor reach maximum speed. Hold your planer firmly and push forward steadily into your work. **NOTE:** Push planer forward slowly if a smooth cut is desired. As the end of the planed cut is reached, apply downward pressure toward the rear handle. This will help keep the rear section of the base in contact with the work preventing the front of your planer from dipping or gouging your cut. Be careful to avoid hitting nails during planing operation. This could nick, crack or damage blades. We suggest that you keep an extra set of blades on hand. As soon as the blades in your planer show signs of becoming dull, replace them. **NOTE: THE BLADES IN YOUR PLANER ARE REVERSIBLE. THEREFORE THEY CAN BE ROTATED UNTIL BOTH SIDES BECOME DULL.**

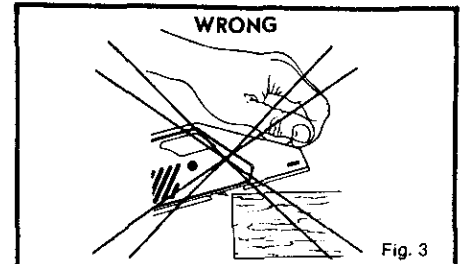


Fig. 3

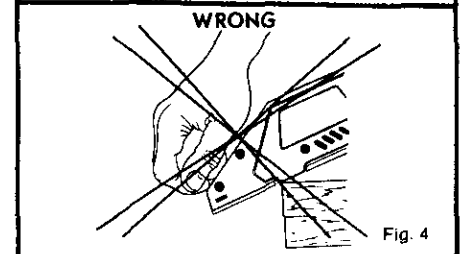


Fig. 4

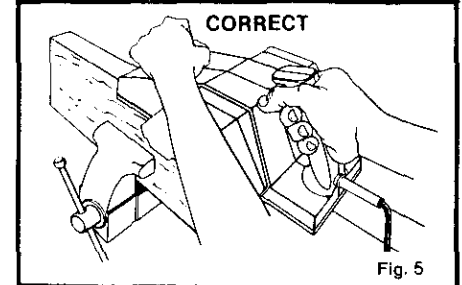


Fig. 5

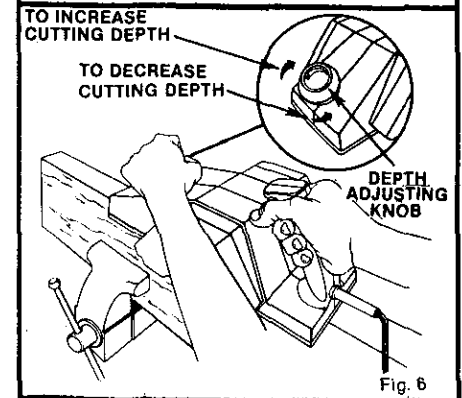


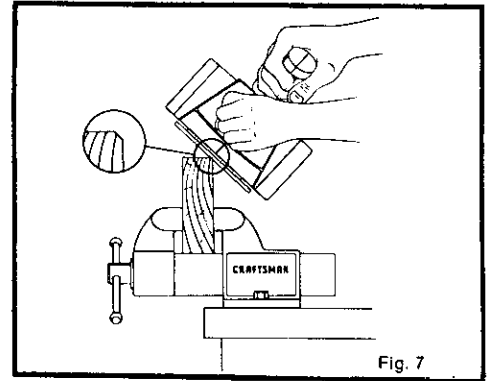
Fig. 6

## OPERATION (Cont.)

### EDGE CHAMFERING

See Figure 7.

Your planer is designed with a groove in the front shoe. The purpose of this groove is chamfering edges. Before making a cut on good lumber, make a few cuts on scrap lumber to determine the amount to be removed from the board. Holding the depth adjusting knob with your left hand and the rear handle with your right hand, place the groove on the surface to be cut and move the tool slowly into the work. Maintain downward pressure to keep your planer flat at the beginning and the end of the work surface.



## MAINTENANCE

**▲ WARNING: WHEN SERVICING USE ONLY IDENTICAL CRAFTSMAN REPLACEMENT PARTS. USE OF ANY OTHER PARTS MAY CREATE A HAZARD OR CAUSE PRODUCT DAMAGE.**

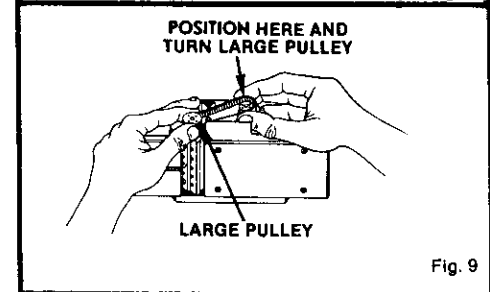
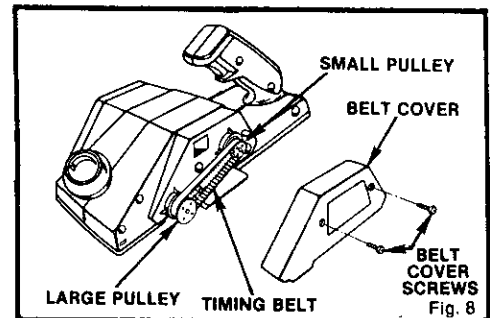
### TIMING BELT REPLACEMENT

**DISCONNECT YOUR PLANER FROM POWER SUPPLY BEFORE CHANGING TIMING BELT.**

**WHEN REPLACING TIMING BELT, USE RECOMMENDED REPLACEMENT BELT ONLY.** See Parts List, Page 11.

1. Remove the two (2) belt cover screws. Then remove the belt cover. See Figure 8.
2. Force old belt from small pulley with a screwdriver and remove it from large pulley. If it is worn out, simply cut the old belt and remove it.
3. Install new belt over large pulley first. See Figure 9.
4. Holding the belt as shown in figure 9, press the belt onto the small pulley. **NOTE: TO SIMPLIFY THE PROCESS, TURN THE LARGE PULLEY AS YOU PRESS THE BELT ONTO THE SMALL PULLEY.**
5. Reassemble belt cover and screws.

**▲ CAUTION: BELT COVER IS PART OF THE DOUBLE INSULATED SYSTEM. NEVER ATTEMPT TO OPERATE YOUR PLANER WITHOUT BELT COVER IN PLACE.**



## MAINTENANCE (Cont.)

### BLADE REPLACEMENT

THE BLADES IN YOUR PLANER ARE REVERSIBLE. THEREFORE, THEY CAN BE REVERSED WHEN ONE EDGE BECOMES DULL.

ALWAYS REPLACE OR REVERSE BLADES IN PAIRS.

DO NOT ATTEMPT TO SHARPEN BLADES.

NEVER ATTEMPT TO OPERATE YOUR PLANER WITH ONLY ONE BLADE INSTALLED.

**⚠ WARNING: DISCONNECT YOUR PLANER FROM POWER SUPPLY. FAILURE TO DO SO COULD RESULT IN ACCIDENTAL STARTING CAUSING POSSIBLE SERIOUS INJURY.**

1. Place your planer in an upside down position on workbench. See Figure 10.

2. Remove from storage area, the 1/8 inch allen wrench provided with your planer. See Figure 1, page 4.

**NOTE:** To prevent rotation of the arbor while changing the blades, place a small piece of wood between the arbor and the base. See Figure 10.

**⚠ WARNING: REMOVE THE PIECE OF WOOD BEFORE RE-STARTING YOUR PLANER. FAILURE TO DO SO COULD RESULT IN PIECE OF WOOD BEING THROWN FROM YOUR PLANER CAUSING POSSIBLE SERIOUS INJURY.**

3. Using the allen wrench, remove the three (3) screws securing blade. See Figure 11.

4. Remove blade clamp and cutter blade.

5. Clean any sawdust or wood particles from cutter arbor and from all parts you have removed.

6. Place new cutter blade over plastic locators. See Figure 12. **NOTE:** Place front of cutter blade slots so that they touch plastic locators. Do not move or adjust plastic locators. They have been factory adjusted to assure proper depth setting is maintained and that blades remain parallel.

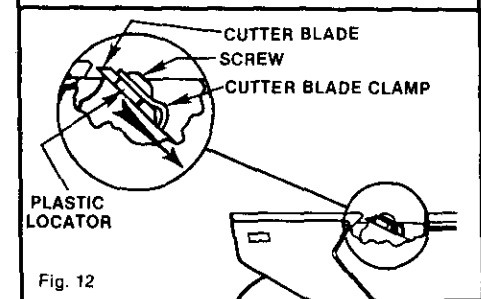
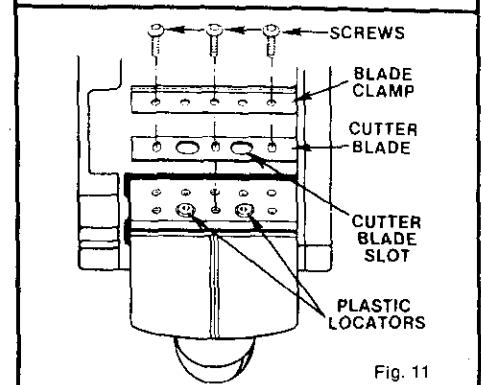
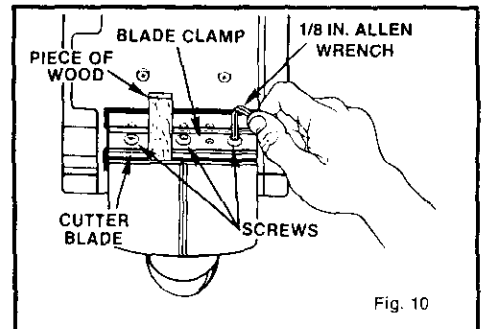
7. Replace blade clamp and screws.

8. Securely tighten all screws with allen wrench.

9. Remove the piece of wood from your planer.

10. Repeat the above procedure to change the other blade.

11. Return allen wrench to storage area.





#### GENERAL

Only the parts shown on parts list, page eleven, are intended to be repaired or replaced by the customer. All other parts represent an important part of the double insulation system and should be serviced only by a qualified service technician.

Avoid using solvents when cleaning plastic parts. Most plastics are susceptible to various types of commercial solvents and may be damaged by their use. Use clean cloths to remove dirt, carbon dust, etc.

**▲ WARNING: DO NOT AT ANY TIME LET BRAKE FLUIDS, GASOLINE, PETROLEUM-BASED PRODUCTS, PENETRATING OILS, ETC. COME IN CONTACT WITH PLASTIC PARTS. THEY CONTAIN CHEMICALS THAT CAN DAMAGE, WEAKEN, OR DESTROY PLASTIC.**

When electric tools are used on fiberglass boats, sports cars, etc., it has been found that they are subject to accelerated wear and possible premature failure, as the fiberglass chips and grindings are highly abrasive to bearings, brushes, commutator, etc. Consequently it is not recommended that this tool be used for extended work on any fiberglass material. During any use on fiberglass it is extremely important that the tool is cleaned frequently by blowing with an air jet. **ALWAYS WEAR SAFETY GLASSES, DUST MASK, OR EYE SHIELDS BEFORE BEGINNING POWER TOOL OPERATION OR BLOWING DUST.**

#### LUBRICATION

All the bearings in this tool are lubricated with a sufficient amount of high grade lubricant for the life of the unit under normal operating conditions, therefore no further lubrication is required.

#### EXTENSION CORDS

The use of any extension cord will cause some loss of power. To keep the loss to a minimum and to prevent tool overheating, follow the recommended cord sizes on the chart at right. When tool is used outdoors, use only extension cords suitable for outdoor use and so marked. Extension cords are available at Sears Retail Stores.

Extension Cord Length	Wire Size A.W.G.
25-50 Ft.	18
50-100 FT.	16

**▲ WARNING: CHECK EXTENSION CORDS BEFORE EACH USE. IF DAMAGED, REPLACE IMMEDIATELY. NEVER USE TOOL WITH A DAMAGED CORD SINCE TOUCHING THE DAMAGED AREA COULD CAUSE ELECTRICAL SHOCK RESULTING IN SERIOUS INJURY.**

THE FOLLOWING RECOMMENDED ACCESSORIES ARE CURRENT AND WERE AVAILABLE AT THE TIME THIS MANUAL WAS PRINTED.

**CRAFTSMAN**

Edge Guide ( 9 17329)

Blades ( 9 17324)

**▲ WARNING:** The use of attachments or accessories not listed above might be hazardous.

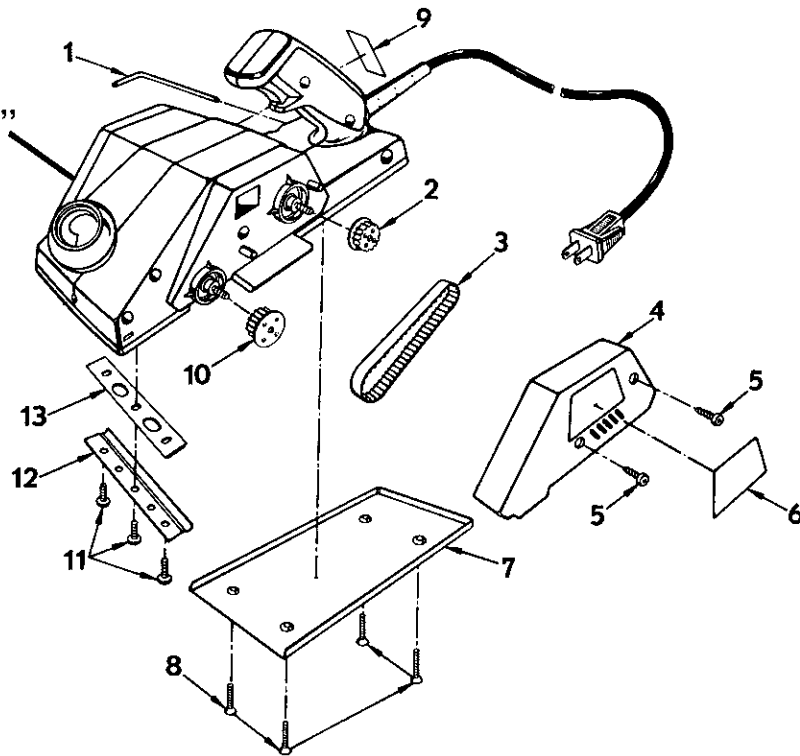
#### REMEMBER:

- Replace blades when they become dull.
- Clean blades often.
- Periodically remove chip build-up behind the blades.
- Periodically clean chip build-up in the chip exhaust.

**NOTE:** It may be necessary to remove blades in order to clean them or to clean chip build-up behind the blades. See **BLADE REPLACEMENT** for proper instructions on how to remove and install blades for cleaning.

**WARNING: DISCONNECT YOUR PLANER FROM POWER SUPPLY BEFORE PERFORMING ANY CLEANING OR MAINTENANCE OPERATIONS. FAILURE TO DO SO COULD RESULT IN ACCIDENTAL STARTING CAUSING POSSIBLE SERIOUS INJURY.**

SEE NOTE "A"  
PAGE 11



**CRAFTSMAN POWER PLANER — MODEL NUMBER 315.173710**

The Model Number will be found on a plate attached to the bottom of your planer. Always mention the Model Number in all correspondence regarding your POWER PLANER or when ordering repair parts.

**SEE BACK PAGE FOR PARTS ORDERING INSTRUCTIONS**

**PARTS LIST**

Key No.	Part Number	Description	Quan.
1	820193-005	*Allen Wrench (1/8 In. Item No. 9-28135)	1
2	998933-001	Sprocket	1
3	998934-002	Timing Belt	1
4	998891-001	Belt Cover	1
5	617966-009	*Screw (#8-10 x 5/8 In. Pan Hd. T.F.)	2
6	973580-001	Logo Plate	1
7	998942-002	Bottom Plate	1
8	998936-002	*Screw (#6-32 x 5/8 In. Flat Hd. T.C.)	4
9	998953-001	Data Plate	1
10	998932-001	Sprocket	1
11	998991-001	*Screw (#10-32 x 1/2 In. Button Hd. Cap Screw)	6
12	998556-002	Blade Clamp	2
13	998989-001	Blade	2
	612547-404	Owner's Manual	

NOTE: "A" - The assembly shown represents an important part of the Double Insulated System. To avoid the possibility of alteration or damage to the System, service should be performed by your nearest Sears Repair Center. Contact your nearest Sears Retail Store.

\*Standard Hardware Item — May Be Purchased Locally  
 \*\*Available From Div. 98 — Source 980.00  
 \*\*\*Available at Your Nearest Sears Retail Store

# Get it fixed, at your home or ours!

For repair of major brand appliances **in your own home...**  
no matter who made it, no matter who sold it!

**1-800-4-MY-HOME<sup>SM</sup>** Anytime, day or night  
(1-800-469-4663)

[www.sears.com](http://www.sears.com)

To bring in products such as vacuums, lawn equipment and electronics  
for repair, call for the location of your nearest **Sears Parts & Repair Center.**

**1-800-488-1222** Anytime, day or night

[www.sears.com](http://www.sears.com)

For the replacement parts, accessories and owner's manuals  
that you need to do-it-yourself, call **Sears PartsDirect<sup>SM</sup>**!

**1-800-366-PART** 6 a.m. – 11 p.m. CST,  
(1-800-366-7278) 7 days a week

[www.sears.com/partsdirect](http://www.sears.com/partsdirect)

To purchase or inquire about a Sears Service Agreement:

**1-800-827-6655**

7 a.m. – 5 p.m. CST, Mon. – Sat.

Para pedir servicio de reparación a domicilio,  
y para ordenar piezas con entrega a domicilio:

**1-888-SU-HOGAR<sup>SM</sup>**  
(1-888-784-6427)

Au Canada pour service en français:

**1-877-LE-FOYER<sup>SM</sup>**  
(1-877-533-6937)

