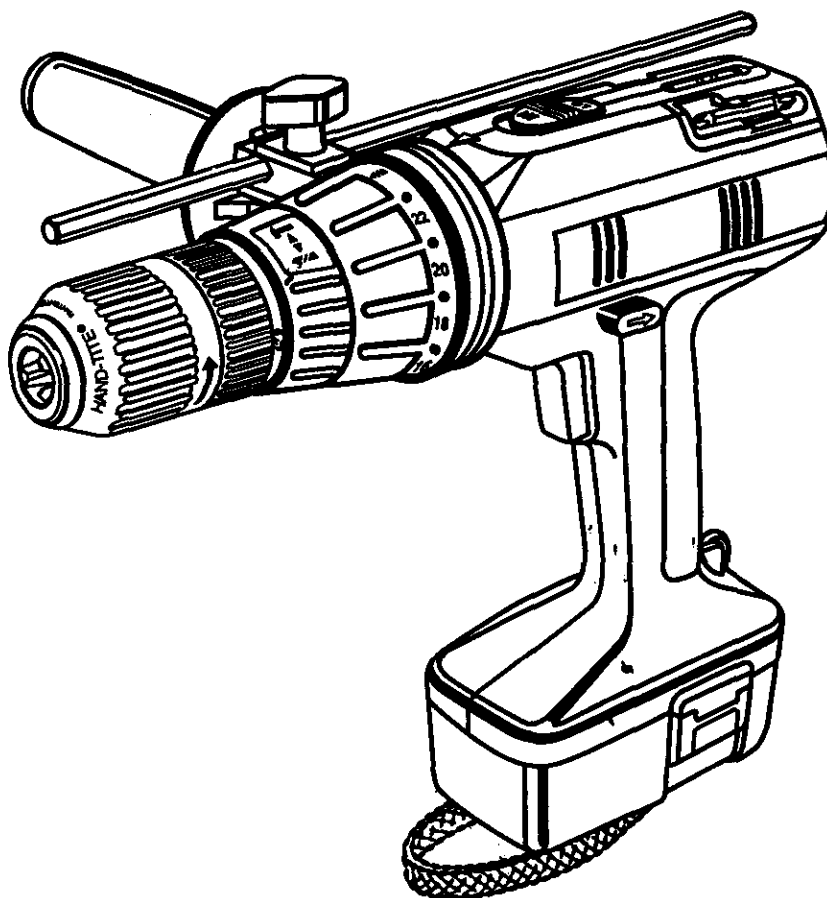


# Owner's Manual

# CRAFTSMAN®

## Variable Speed / Reversible PROFESSIONAL 1/2 in. CORDLESS HAMMER DRILL

Model No.  
315.274990



Save this manual for  
future reference

**⚠ CAUTION:** Read and follow  
all Safety Rules and Operating  
Instructions before first use of  
this product.

Customer Help Line: 1-800-932-3188

Sears, Roebuck and Co., Hoffman Estates, IL 60179 USA  
Visit the Craftsman web page: [www.sears.com/craftsman](http://www.sears.com/craftsman)

972000-536  
7-98

- Safety
- Features
- Operation
- Maintenance
- Parts List



# TABLE OF CONTENTS

- Warranty ..... 2
- Introduction and Product Specifications ..... 2
- Rules For Safe Operation ..... 3-5
  - A. Important Safety Rules For Battery Tools ..... 4
  - B. Important Safety Instructions For Charger ..... 4
- Accessories ..... 5
- Features ..... 6-7
  - A. Important Information For Recharging Hot Batteries ..... 7
- Operation ..... 8-15
- Maintenance ..... 16
- Battery Pack Removal and Preparation For Recycling ..... 16
- Exploded View and Repair Parts List ..... 17
- Parts Ordering / Service ..... 18

## WARRANTY

### FULL ONE YEAR WARRANTY ON CRAFTSMAN PROFESSIONAL CORDLESS HAMMER DRILL

If this **CRAFTSMAN**® Professional Cordless Hammer Drill fails due to a defect in material or workmanship within one year from the date of purchase, Sears will repair it, free of charge.

**WARRANTY SERVICE IS AVAILABLE BY SIMPLY RETURNING THE TOOL TO THE NEAREST SEARS STORE IN THE UNITED STATES.**

This warranty gives you specific legal rights, and you may also have other rights which vary from state to state.

**Sears, Roebuck and Co., Dept. 817WA, Hoffman Estates, IL 60179**

## INTRODUCTION

Your hammer drill has many features for making drilling operations more pleasant and enjoyable. Safety, performance and dependability have been given top priority in the design of this tool making it easy to maintain and operate.

**CAUTION:** Carefully read through this entire owner's manual before using your new hammer drill. Pay close attention to the Rules For Safe Operation, Warnings and Cautions. If you use your drill properly and only for what it is intended, you will enjoy years of safe, reliable service.

**WARNING:**



The operation of any power tool can result in foreign objects being thrown into your eyes, which can result in severe eye damage. Before beginning power tool operation, always wear safety goggles or safety glasses with side shields and a full face shield when needed. We recommend Wide Vision Safety Mask for use over eyeglasses or standard safety glasses with side shields, available at Sears Retail Stores.

### SPECIFICATIONS:

Chuck	1/2 in. Keyless
Chuck Capacity	5/64 in. to 1/2 in.
Motor	18 Volts DC
Charger Rating	120 Volts, 60 Hz, AC Only
No Load Speed	0 - 400 / 0 - 1400 RPM
Hammer Speed	0 - 6,400 / 0 - 22,400 BPM
Switch	Variable Speed - Reversible
Charge Rate	1 Hour
Maximum Torque	80 / 250 in. Lbs.
Net Weight	6.2 Lbs.

# RULES FOR SAFE OPERATION

The purpose of safety symbols is to attract your attention to possible dangers. The safety symbols, and the explanations with them, deserve your careful attention and understanding. The safety warnings do not by themselves eliminate any danger. The instructions or warnings they give are not substitutes for proper accident prevention measures.

## SYMBOL MEANING



### SAFETY ALERT SYMBOL:

Indicates danger, warning, or caution. May be used in conjunction with other symbols or pictographs.



**DANGER:** Failure to obey a safety warning will result in serious injury to yourself or to others. Always follow the safety precautions to reduce the risk of fire, electric shock and personal injury.



**WARNING:** Failure to obey a safety warning can result in serious injury to yourself or to others. Always follow the safety precautions to reduce the risk of fire, electric shock and personal injury.



**CAUTION:** Failure to obey a safety warning may result in property damage or personal injury to yourself or to others. Always follow the safety precautions to reduce the risk of fire, electric shock and personal injury.

**NOTE:** Advises you of information or instructions vital to the operation or maintenance of the equipment.



**WARNING:** Do not attempt to operate this tool until you have read thoroughly and understand completely all instructions, safety rules, etc. contained in this manual. Failure to comply can result in accidents involving fire, electric shock, or serious personal injury. Save owner's manual and review frequently for continuing safe operation, and instructing others who may use this tool.

## READ ALL INSTRUCTIONS

- **KNOW YOUR POWER TOOL.** Read owner's manual carefully. Learn its applications and limitations as well as the specific potential hazards related to this tool.
- **GUARD AGAINST ELECTRICAL SHOCK** by preventing body contact with grounded surfaces. For example: Pipes, radiators, ranges, refrigerator enclosures.
- **KEEP WORK AREA CLEAN.** Cluttered areas and benches invite accidents.
- **AVOID DANGEROUS ENVIRONMENT.** Don't use power tool in damp or wet locations or expose to rain. Keep work area well lit.
- **KEEP CHILDREN AND VISITORS AWAY.** All visitors should wear safety glasses and be kept a safe distance from work area. Do not let visitors contact tool or extension cord.
- **STORE IDLE TOOLS.** When not in use tools should be stored in a dry and high or locked-up place - out of the reach of children.
- **DON'T FORCE TOOL.** It will do the job better and safer at the rate for which it was designed.
- **USE RIGHT TOOL.** Don't force small tool or attachment to do the job of a heavy duty tool. Don't use tool for purpose not intended - for example - A circular saw should never be used for cutting tree limbs or logs.
- **WEAR PROPER APPAREL.** Do not wear loose clothing or jewelry that can get caught in tool's moving parts and cause personal injury. Rubber gloves and nonskid footwear are recommended when working outdoors. Wear protective hair covering to contain long hair and keep it from being drawn into nearby air vents.
- **ALWAYS WEAR SAFETY GLASSES.** Everyday eyeglasses have only impact-resistant lenses; they are **NOT** safety glasses.
- **PROTECT YOUR LUNGS.** Wear a face mask or dust mask if operation is dusty.
- **PROTECT YOUR HEARING.** Wear hearing protection during extended periods of operation.
- **SECURE WORK.** Use clamps or a vise to hold work. It's safer than using your hand and it frees both hands to operate tool.
- **DON'T OVERREACH.** Keep proper footing and balance at all times. Do not use on a ladder or unstable support.

## RULES FOR SAFE OPERATION (Continued)

- **MAINTAIN TOOLS WITH CARE.** Keep tools sharp at all times, and clean for best and safest performance. Follow instructions for lubricating and changing accessories.
- **REMOVE ADJUSTING KEYS AND WRENCHES.** Form habit of checking to see that keys and adjusting wrenches are removed from tool before turning it on.
- **NEVER USE IN AN EXPLOSIVE ATMOSPHERE.** Normal sparking of the motor could ignite flammable liquids, gases, or fumes.
- **KEEP HANDLES DRY, CLEAN, AND FREE FROM OIL AND GREASE.** Always use a clean cloth when cleaning. Never use brake fluids, gasoline, petroleum-based products or any strong solvents to clean your tool.
- **STAY ALERT.** Watch what you are doing and use common sense. Do not operate tool when you are tired. Do not rush.
- **CHECK DAMAGED PARTS.** Before further use of the tool, a guard or other part that is damaged should be carefully checked to determine that it will operate properly and perform its intended function. Check for alignment of moving parts, binding of moving parts, breakage of parts, mounting, and any other conditions that may affect its operation. A guard or other part that is damaged should be properly repaired or replaced by an authorized service center unless indicated elsewhere in this instruction manual.
- **DO NOT USE TOOL IF SWITCH DOES NOT TURN IT ON AND OFF.** Have defective switches replaced by an authorized service center.
- **DRUGS, ALCOHOL, MEDICATION.** Do not operate tool while under the influence of drugs, alcohol, or any medication.
- **DRILLING INTO ELECTRICAL WIRING IN WALLS, CEILINGS, OR OTHER AREAS CAN CAUSE THE BIT OR CHUCK TO BECOME ELECTRICALLY LIVE.** Do not touch metal parts when drilling into a wall; grasp only the insulated handle(s) or plastic housing when using this tool. Make sure hidden electrical wiring, water pipes, and mechanical hazards are not in the path of the bit when drilling into a wall.
- **INSPECT FOR** and remove all nails from lumber before drilling.

### IMPORTANT SAFETY RULES FOR BATTERY TOOLS

- Battery tools do not have to be plugged into an electrical outlet; therefore, they are always in operating condition. Be aware of possible

hazards when not using your battery tool or when changing accessories.

- **USE ONLY THE CHARGER PROVIDED WITH YOUR BATTERY TOOL.** Do not substitute any other charger. Use of another charger could cause batteries to explode causing possible serious injury.
- **DO NOT PLACE BATTERY TOOLS OR THEIR BATTERIES NEAR FIRE OR HEAT.** They may explode.
- **DO NOT CHARGE BATTERY TOOL IN A DAMP OR WET LOCATION.**
- Your battery tool should be charged in a location where the temperature is more than 50°F but less than 100°F.
- Under extreme usage or temperature conditions, battery leakage may occur. If liquid comes in contact with your skin, wash immediately with soap and water, then neutralize with lemon juice or vinegar. If liquid gets in your eyes, flush them with clean water for at least 10 minutes, then seek immediate medical attention.
- If carrying your battery tool at your side, make sure it is not running and your finger is not on the switch. Avoid accidental starting.
- **SECURE WORK** before applying power. **NEVER** hold workpiece in your hand or across your legs.
- **WHEN SERVICING USE ONLY IDENTICAL CRAFTSMAN REPLACEMENT PARTS.**

### IMPORTANT SAFETY INSTRUCTIONS FOR CHARGER

- **SAVE THESE INSTRUCTIONS.** This manual contains important safety and operating instructions for battery charger part number 975283-001.
- Before using battery charger, read all instructions and cautionary markings in this manual, on battery charger, and product using battery charger.
- ▲ **WARNING:** To reduce risk of injury, charge only nickel-cadmium type rechargeable batteries. Other types of batteries may burst causing personal injury and damage.
- Do not expose charger to rain or snow.
- Use of an attachment not recommended or sold by the battery charger manufacturer may result in a risk of fire, electric shock, or injury to persons.
- To reduce risk of damage to charger body and cord, pull by charger body rather than cord when disconnecting charger.


## RULES FOR SAFE OPERATION (Continued)

- Make sure cord is located so that it will not be stepped on, tripped over, or otherwise subjected to damage or stress.
- An extension cord should not be used unless absolutely necessary. Use of improper extension cord could result in a risk of fire and electric shock. If extension cord must be used, make sure:
  - a. That pins on plug of extension cord are the same number, size and shape as those of plug on charger.
  - b. That extension cord is properly wired and in good electrical condition; and
  - c. That wire size is large enough for AC ampere rating of charger as specified below:

### AWG Size of Cord/Length of Cord, Feet

Feet	25	50	100	150
AWG	16	16	16	14

- **DO NOT OPERATE CHARGER WITH A DAMAGED CORD OR PLUG.** If damaged, have replaced immediately by a qualified serviceman.
- Do not operate charger if it has received a sharp blow, been dropped, or otherwise damaged in any way; take it to a qualified serviceman.
- Do not disassemble charger; take it to a qualified serviceman when service or repair is required. Incorrect reassembly may result in a risk of electric shock or fire.
- To reduce risk of electric shock, unplug charger from outlet before attempting any maintenance or cleaning. Turning off controls will not reduce this risk.
- Do not use charger outdoors.
- Disconnect charger from power supply when not in use.
- **SAVE THESE INSTRUCTIONS.** Refer to them frequently and use them to instruct others who may use this tool. If you loan someone this tool, loan them these instructions also.


 Look for this symbol to point out important safety precautions. It means attention!!! Your safety is involved.

---

## ACCESSORIES

The following recommended accessories are currently available at Sears Retail Stores.

- 6-Pc. Extra Length Magnite Power Bit Set
- 30-Pc. Power Screwdriver/Nutdriver Set and Case
- 17-Pc. Power Screwdriver/Nutdriver Set and Case
- High Speed Bits .....1/2 in. Max.
- Wood Boring Bits .....1-1/4 in. Max.
- Masonry Bits .....1/2 in. Max.

 **WARNING:** The use of attachments or accessories not listed might be hazardous.

# FEATURES

## KNOW YOUR HAMMER DRILL

See Figure 1.

Before attempting to use any tool familiarize yourself with all operating features and safety requirements.

**⚠ WARNING:** If any parts are missing, do not operate tool until the missing parts are replaced. Failure to do so could result in possible serious personal injury.

## WRIST STRAP

A wrist strap is provided to reduce the chances of dropping your drill. Place one hand through the wrist strap when carrying tool.

## AUXILIARY HANDLE

An auxiliary handle has been packed with your drill for ease of operation and to help prevent loss of control.

## DEPTH GAGE ROD

A depth gage rod has been packed with your drill to assist you in controlling the depth of drilled holes.

## APPLICATIONS

(Use only for the purposes listed below)

- Hammer drilling in concrete and masonry.
- Drilling in wood.
- Drilling in ceramics, plastics, fiberglass, and laminates.
- Drilling in both hard and soft metals.
- Using driving accessories, such as driving screws with screwdriver bits.

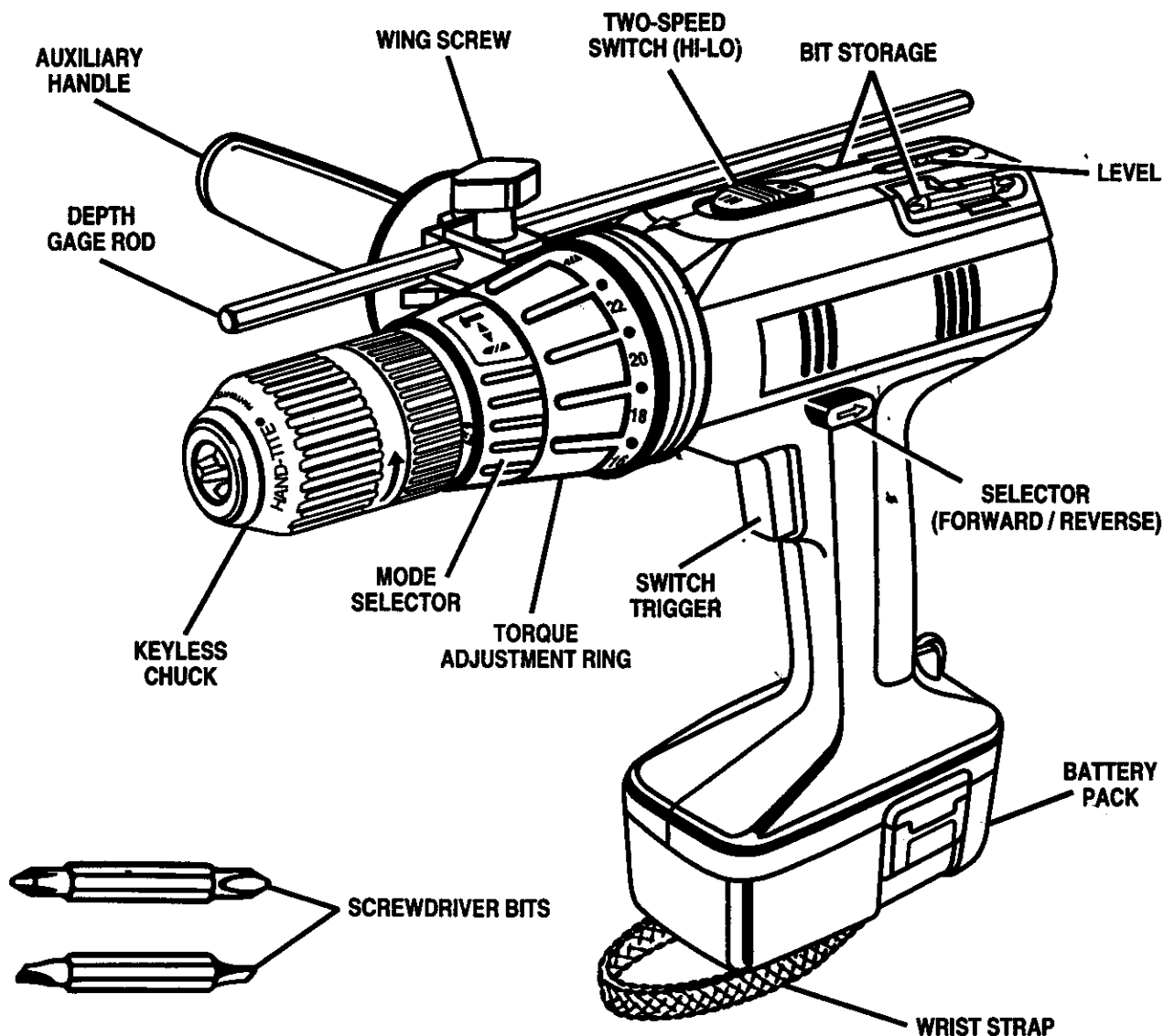


Fig. 1

## FEATURES

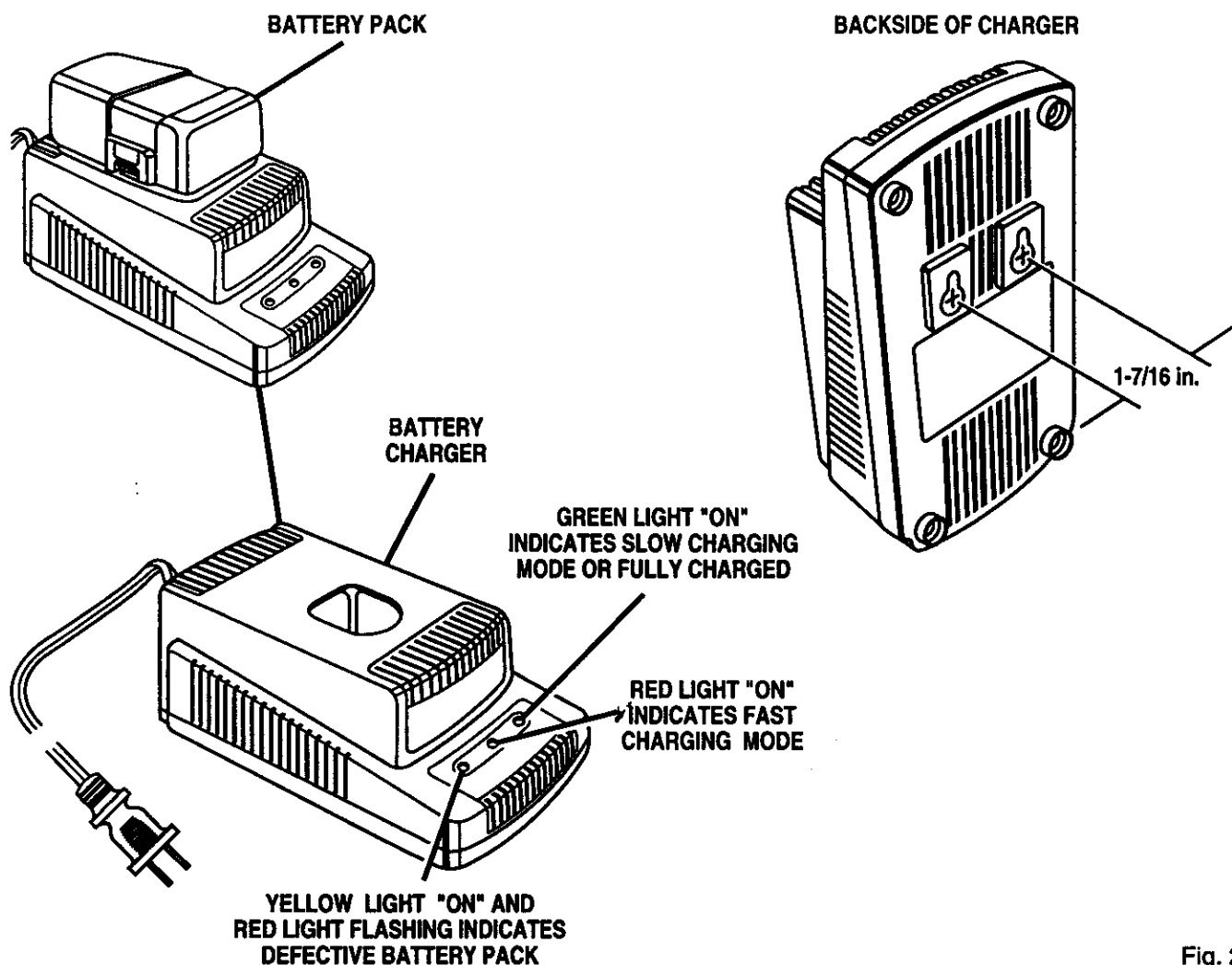


Fig. 2

### IMPORTANT INFORMATION FOR RECHARGING HOT BATTERIES

When using your hammer drill continuously, the batteries in your battery pack will become hot. You should let a hot battery pack cool down for approximately 30 minutes before attempting to recharge. When the battery pack becomes discharged and is hot, this will cause the red light on your battery charger to flash. When battery pack cools down, red light will glow continuously indicating fast charging mode, 1 hour charge time. The green light indicates slow charging mode, requiring overnight charging for batteries to reach full charge. Once the battery pack cools down, it will recharge battery pack in fast charging mode as normal.

**Note:** This situation only occurs when continuous use of your drill causes the batteries to become hot. It does not occur under normal circumstances. Refer to "CHARGING YOUR HAMMER DRILL" for normal recharging of batteries. If the charger does not charge your battery pack under normal circumstances, return both the battery pack and charger to your nearest Sears repair center for electrical check.

### CHARGER

See Figure 2.

Your charger has a "key hole" hanging feature for convenient, space saving storage. Screws should be installed so that center distances are 1-7/16 inches apart.

# OPERATION

**⚠ WARNING:** Always wear safety goggles or safety glasses with side shields when operating tools. Failure to do so could result in objects being thrown into your eyes, resulting in possible serious injury.

**⚠ WARNING:** Do not allow familiarity with your hammer drill to make you careless. Remember that a careless fraction of a second is sufficient to inflict severe injury.

## CHARGING YOUR HAMMER DRILL

The battery pack for this tool has been shipped in a low charge condition to prevent possible problems. Therefore, you should charge it until light on front of charger changes from red to green.

**Note:** Batteries will not reach full charge the first time they are charged. Allow several cycles (drilling followed by recharging) for them to become fully charged.

### TO CHARGE

- Charge battery pack only with the charger provided.
- **Make sure power supply is normal house voltage, 120 volts, 60 Hz, AC only.**
- Connect charger to power supply.
- Place battery pack in charger aligning raised rib in charger with groove in battery pack.
- Press down on battery pack to be sure contacts on battery pack engage properly with charger contacts.
- Red light should turn on. Red light indicates fast charging mode.

If red light is flashing, this indicates battery pack is deeply discharged or hot.

If battery pack is hot, red light should become steady after battery pack has cooled down.

If battery pack is deeply discharged, red light should become steady after voltage has increased, normally within 30 minutes.

If after one hour red light is still flashing, this indicates a defective battery pack and should be replaced.

Green light on indicates battery pack is in slow charging mode or fully charged.

Yellow light on and red light flashing indicates defective battery pack. Return battery pack to your nearest Sears Repair Center for checking or replacing.

- When your battery pack becomes fully charged, the red light will turn OFF and the green light will turn ON.
- **If you remove battery pack from charger and reinsert it immediately (less than 5 seconds) back in charger, the green light will come on indicating full charge and slow charging mode until removed from charger. If you remove battery pack from charger and wait more than 5 seconds before reinserting it back in charger, the charger will function normally.**
- After normal usage, 1 hour of charging time is required to be fully charged. A minimum charge time of 1-1/2 hours is required to recharge a completely discharged tool.
- The battery pack will become slightly warm to the touch while charging. This is normal and does not indicate a problem.
- **Do not place charger in an area of extreme heat or cold. It will work best at normal room temperature.**

**⚠ CAUTION:** Your battery pack contains special high temperature batteries to help prevent battery damage when left on charge for extended periods of time. However, once the batteries become fully charged, we recommend that you unplug your charger from power supply.

## LED FUNCTION OF CHARGER

### LED WILL BE LIGHTED TO INDICATE STATUS OF CHARGER AND BATTERY PACK:

1. Red LED Lighted = Fast Charging Mode.
2. Green LED Lighted = Slow Charging Mode and Fully Charged Battery Pack.
3. Red LED Flashing = Hot or Deeply Discharged Battery Pack. Also Defective Battery Pack After 1 Hour.
4. Yellow LED Lighted and Red LED Flashing = Defective Battery Pack.



# OPERATION

## SWITCH

See Figure 3.

To turn your drill **ON**, depress the switch trigger. To turn it **OFF**, release the switch trigger.

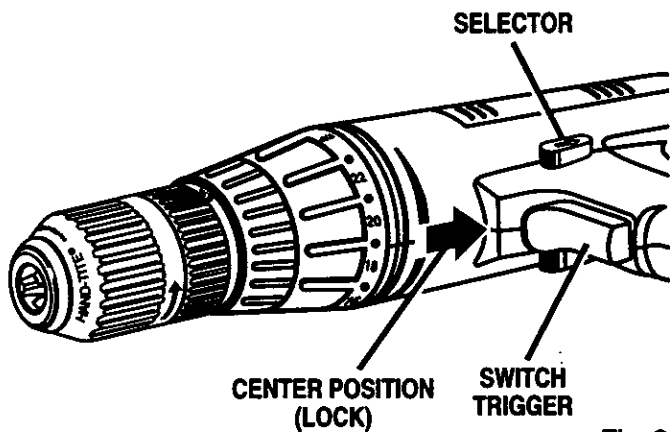


Fig. 3

## VARIABLE SPEED

This tool has a variable speed switch that delivers higher speed and torque with increased trigger pressure. Speed is controlled by the amount of switch trigger depression.

**Note:** You might hear a whistling or ringing noise from the switch during use. Do not be concerned, this is a normal part of the switch function.

## TWO-SPEED GEAR TRAIN

See Figure 4.

Your drill has a two-speed gear train designed for drilling or driving at **HI** or **LO** speeds. A slide switch is located on top of your drill to select either **HI** or **LO** speed. When using drill in the **HI** speed range, speed will increase and unit will have less power and torque. When using drill in the **LO** speed range, speed will decrease and unit will have more power and torque. Use **HI** speed for fast drilling or driving applications and **LO** speed for high power and torque applications.

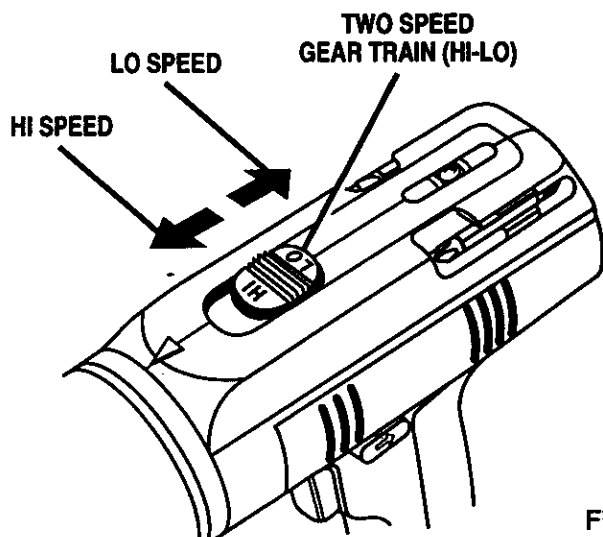
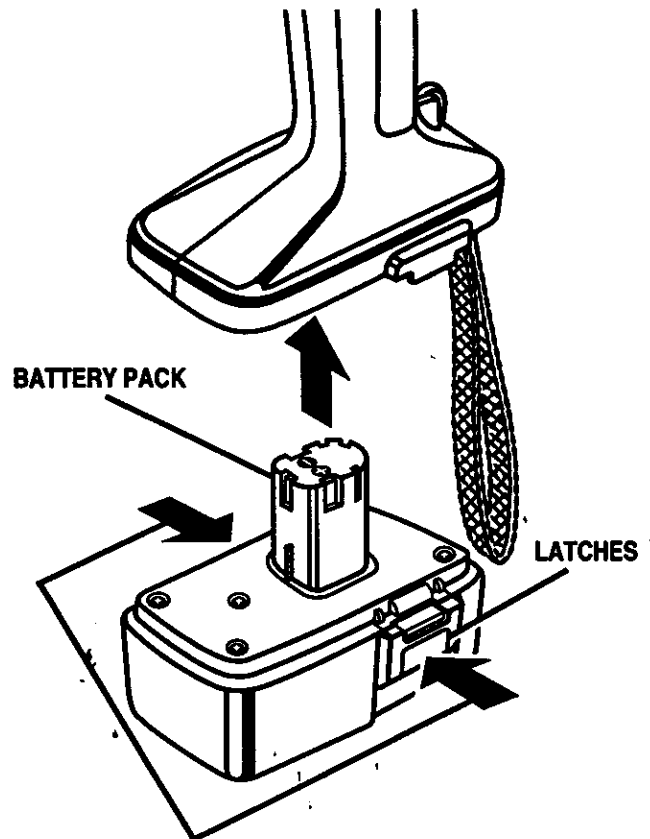


Fig. 4

## TO INSTALL BATTERY PACK

- Lock switch trigger on your drill by placing the direction of rotation selector in center position. See Figure 3.
- Place battery pack in your drill. Align raised rib inside drill with groove on battery pack. See Figure 5.



DEPRESS LATCHES TO  
RELEASE BATTERY PACK

Fig. 5

- Make sure the latches on each side of your battery pack snap in place and battery pack is secured in drill before beginning operation.

**CAUTION:** When placing battery pack in your drill, be sure raised rib inside drill aligns with groove on battery pack and latches snap in place properly. Improper assembly of battery pack can cause damage to internal components.

## TO REMOVE BATTERY PACK

- Lock switch trigger on your drill by placing the direction of rotation selector in center position. See Figure 3.
- Locate latches on side of battery pack and depress to release battery pack from your drill. See Figure 5.
- Remove battery pack from your drill.

# OPERATION

## SWITCH LOCK

See Figure 6.

The switch trigger can be locked in the OFF position. This feature can be used to prevent the possibility of accidental starting when not in use. To lock switch trigger, place the direction of rotation selector in center position.

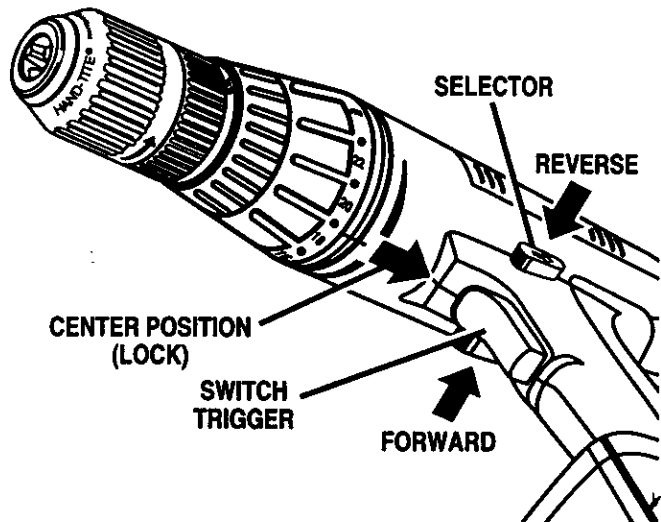


Fig. 6

**WARNING:** Battery tools are always in operating condition. Therefore, switch should always be locked when not in use or carrying at your side.

## REVERSIBLE

See Figure 6.

This tool has the feature of being reversible. The direction of rotation is controlled by a selector located above the switch trigger. With the drill held in normal operating position, the direction of rotation selector should be positioned to the left of the switch for drilling. The drilling direction is reversed when the selector is to the right of the switch. When the selector is in center position, the switch trigger is locked.

**CAUTION:** To prevent gear damage, always allow chuck to come to a complete stop before changing the direction of rotation or the two-speed gear train (hi-lo).

To stop, release switch trigger and allow the chuck to come to a complete stop.

## KEYLESS CHUCK

See Figure 7.

Your new drill has a keyless chuck. As the name implies, you can hand tighten or release drill bits in the chuck jaws. Grasp and hold the collar of the chuck with one hand. Rotate the chuck body with your other hand. The arrows on the chuck indicate which direction to rotate the chuck body in order to GRIP (tighten) or RELEASE (unlock) the drill bit.

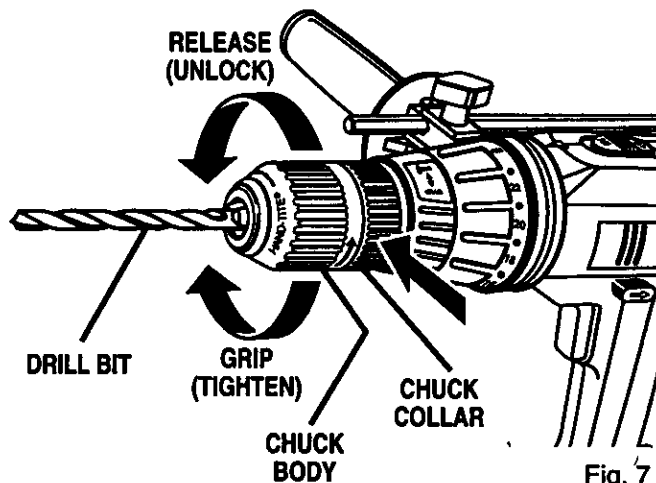


Fig. 7

**WARNING:** Do not hold chuck body with one hand and use power of the drill to tighten chuck jaws on drill bits. Chuck body could slip in your hand or your hand could slip and come in contact with rotating drill bit. This could cause an accident resulting in serious personal injury.

# OPERATION

## AUXILIARY HANDLE

See Figure 8.

An auxiliary handle is packed with your drill for ease of operation and to help prevent loss of control. The handle can be rotated 360° and it can also be mounted on opposite side for left hand use.

**Note:** For convenience and ease of starting threads, the hex nut has been trapped inside the molded slot in the auxiliary handle.

### TO INSTALL:

- Lock the switch trigger by placing the direction of rotation selector in center position. See Figure 6.
  - Loosen wing screw enough to make ring of handle large enough to fit over chuck.
  - Place ring of handle over the chuck and mode selector. **Note:** Handle fits in a groove behind torque adjusting ring.
  - Rotate handle to desired angle.
  - Tighten wing screw securely.
- Note:** If wing screw and wear plate is removed from auxiliary handle, when reassembling, the markings on the wear plate must be positioned as shown in figure 8. This prevents the depth gage rod from slipping. See Figure 8.

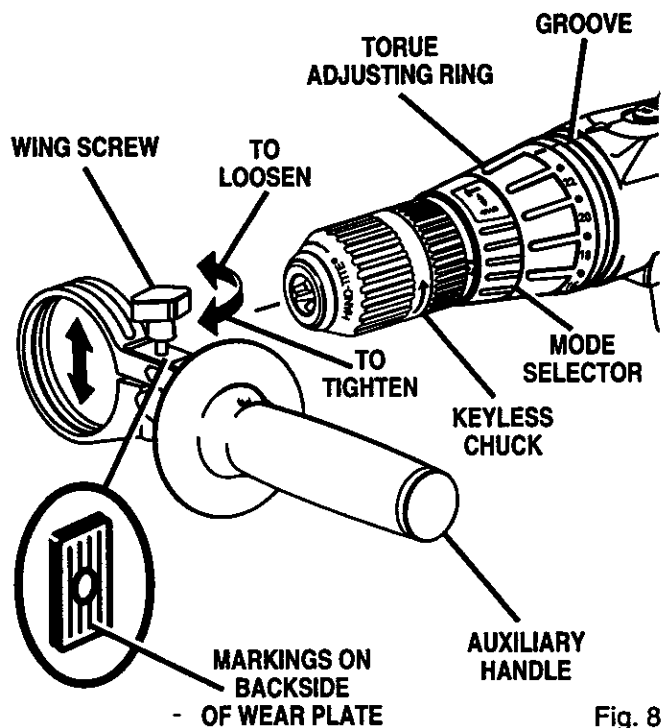


Fig. 8

To prevent possible loss of control, auxiliary handle should be checked periodically for tightness. Do not operate hammer drill with auxiliary handle loose.

## INSTALLING BITS

See Figure 9.

- Lock the switch trigger by placing the direction of rotation selector in center position. See Figure 6.
- Open or close chuck jaws to a point where the opening is slightly larger than the bit size you intend to use. Also, raise the front of your drill slightly to keep the bit from falling out of the chuck jaws.
- Insert drill bit into chuck the full length of the jaws as shown in figure 9.
- Tighten the chuck jaws on drill bit.

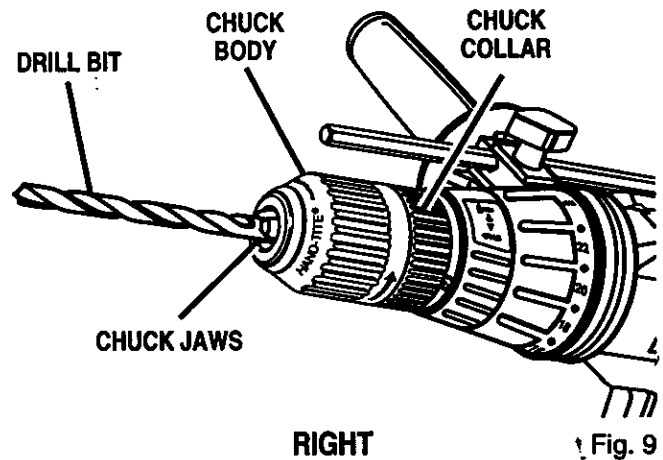


Fig. 9

- To tighten the chuck jaws on drill bit; grasp and hold the collar of the chuck with one hand, while rotating the chuck body with your other hand. **Note:** Rotate the chuck body in the direction of the arrow marked GRIP to tighten chuck jaws. See Figure 7.
- Do not use a wrench to tighten or loosen the chuck jaws.

**WARNING:** Do not insert drill bit into chuck jaws and tighten as shown in figure 10. This could cause drill bit to be thrown from drill resulting in possible serious personal injury or damage to the chuck.

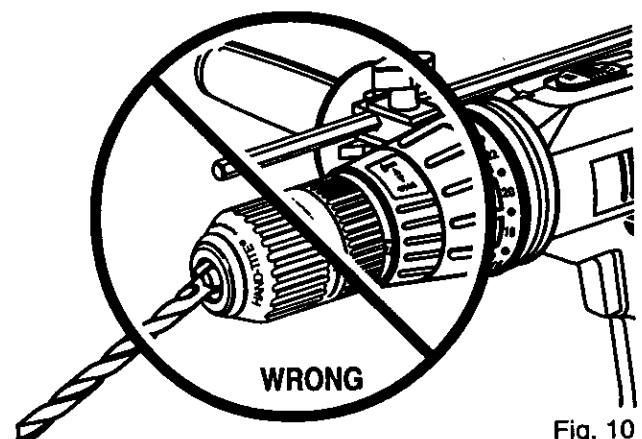


Fig. 10

# OPERATION

## REMOVING BITS

See Figure 9.

- Lock the switch trigger by placing the direction of rotation selector in center position. See Figure 6.
- Loosen the chuck jaws from drill bit.
- To loosen: grasp and hold the collar of the chuck with one hand, while rotating chuck body with your other hand. **Note:** Rotate chuck body in the direction of the arrow marked **RELEASE** to loosen chuck jaws. See Figure 7.
- Remove drill bit from chuck jaws.
- Do not use a wrench to tighten or loosen the chuck jaws.

## USING DEPTH GAGE ROD

See Figure 11.

A depth gage rod has been packed with your hammer drill to assist you in controlling the depth of drilled holes.

- Loosen wing screw on auxiliary handle.
- Orient depth gage rod so that markings on depth gage rod face markings on wear plate. Insert depth gage rod through hole on auxiliary handle.
- Adjust depth gage rod so that the drill bit extends beyond the end of the rod to the required drilling depth.
- Tighten wing screw securely. This secures depth gage rod at desired depth of cut. It also secures auxiliary handle.

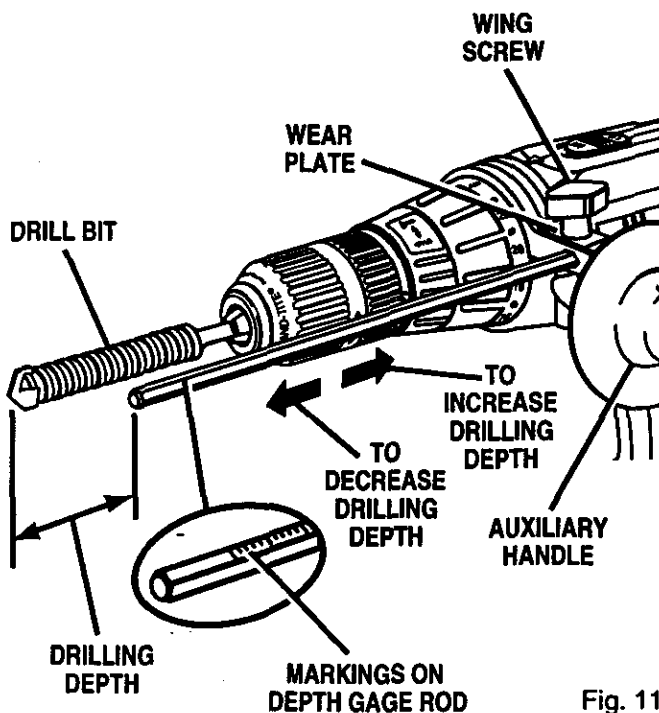


Fig. 11

When drilling holes with the depth gage rod installed, the desired hole depth has been reached when the end of the rod comes in contact with the surface of the material being drilled.

## TO ADJUST DRILLING OR HAMMER MODE

See Figure 12.

To adjust drill to drilling or hammer operation, rotate mode selector in the direction of arrows as shown in figure 12. For your convenience a hammer symbol and drill bit symbol have been molded into the selector.

**WARNING:** Your hammer drill has not been designed for reverse hammering. Reverse hammering may damage your drill.

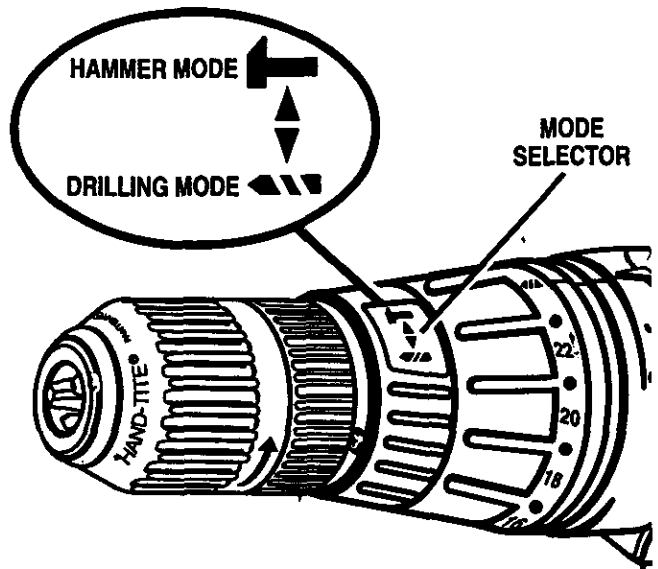


Fig. 12

We recommend that you use carbide-tipped bits and select hammer mode when drilling in hard materials such as brick, tile, concrete, etc.


We recommend that you select normal drilling mode when drilling with twist drills, hole saws, etc. in steel and soft materials.

# OPERATION

## ADJUSTABLE TORQUE CLUTCH

Your drill is equipped with an adjustable torque clutch for driving different types of screws into different materials. The proper setting depends on the type of material and the size of screw you are using.

### TO ADJUST TORQUE

- Identify the twenty four torque indicator settings located on the front of your drill. See Figure 13.
- Rotate adjusting ring to the desired setting.
  - 1 - 4 For driving small screws.
  - 5 - 8 For driving screws into soft material.
  - 9 - 12 For driving screws into soft and hard materials.
  - 13 - 16 For driving screws in hard wood.
  - 17 - 20 For driving large screws.
  - 21 -  For heavy drilling and hammer drill mode.

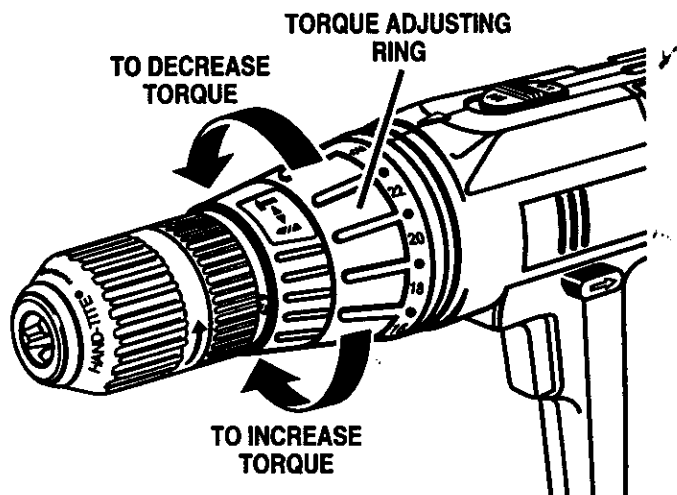


Fig. 13

**Note:** Remember the two-speed feature (HI-LO) when setting torque. The amount of torque will vary depending on which speed setting you have your drill-driver. Switching to LO speed will increase torque. Switching to HI speed will decrease torque.

## BIT STORAGE

See Figure 14.

When not in use, bits provided with your drill can be placed in the storage area located on the top of your drill as shown in figure 14.

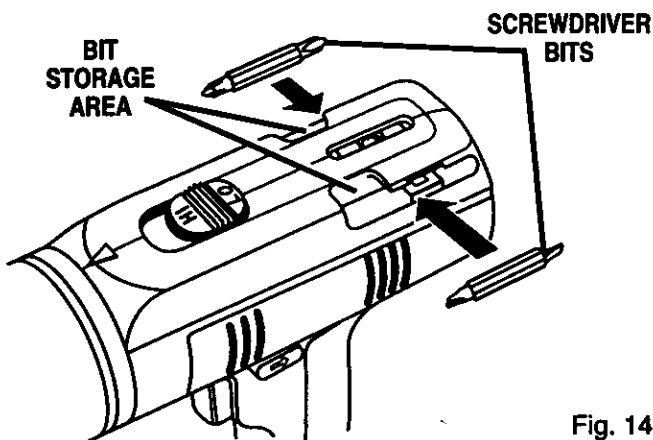


Fig. 14

**WARNING:** Always wear safety goggles or safety glasses with side shields when operating tools. Failure to do so could result in objects being thrown into your eyes, resulting in possible serious injury.

## LEVEL DRILLING

See Figure 15.

A convenient feature provided on your drill is a level. It is recessed in the motor housing on top of your drill. It can be used to keep drill bits level during drilling operations.

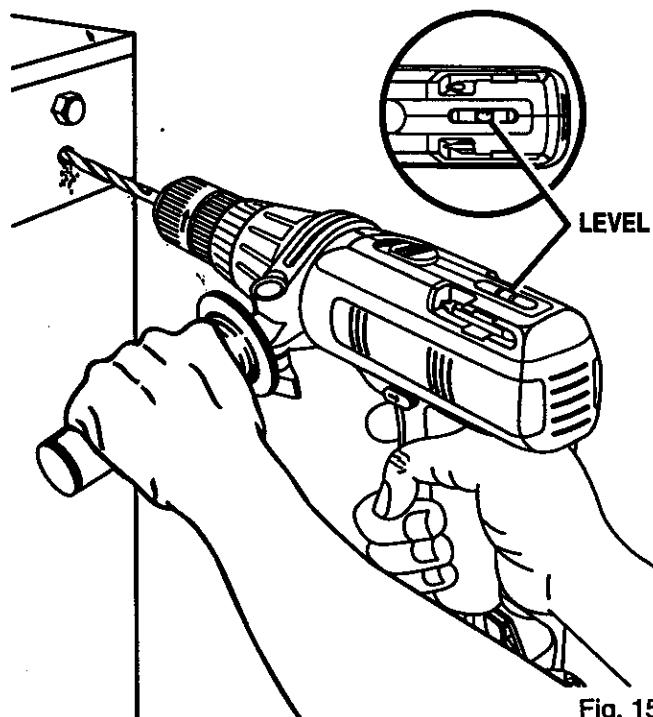


Fig. 15

# OPERATION

## DRILLING

See Figure 16.

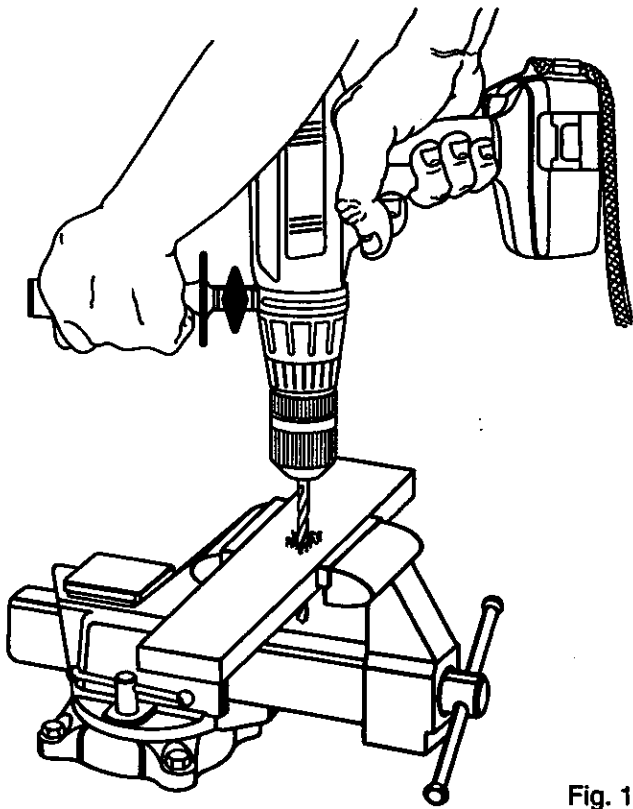


Fig. 16

When drilling hard smooth surfaces use a center punch to mark desired hole location. This will prevent the drill bit from slipping off center as the hole is started. However, the low speed feature allows starting holes without center punching if desired. To accomplish this, simply operate your drill at a low speed until the hole is started.

The material to be drilled should be secured in a vise or with clamps to keep it from turning as the drill bit rotates.

Hold tool firmly and place the bit at the point to be drilled. Depress the switch trigger to start tool.

Move the drill bit into the workpiece applying only enough pressure to keep the bit cutting. Do not force or apply side pressure to elongate a hole.

**⚠ WARNING:** Be prepared for binding or bit breakthrough. When these situations occur, drill has a tendency to grab and kick opposite to the direction of rotation and could cause loss of control when breaking through material. If not prepared, this loss of control can result in possible serious injury.

When drilling metals, use a light oil on the drill bit to keep it from overheating. The oil will prolong the life of the bit and increase the drilling action.

If the bit jams in workpiece or if the drill stalls, release switch trigger immediately. Remove the bit from the workpiece and determine the reason for jamming.

## WOOD DRILLING

- For maximum performance, use high speed steel bits for wood drilling.
- Turn mode selector ring on hammer drill to normal drilling action.
- Begin drilling at a very low speed to prevent the bit from slipping off the starting point. Increase the speed as the drill bit bites into the material.
- When drilling through holes, place a block of wood behind the workpiece to prevent ragged or splintered edges on the back side of the hole.
- **Do not lock the trigger on for jobs where your hammer drill may need to be stopped suddenly.**

## METAL DRILLING

- For maximum performance, use high speed steel bits for metal or steel drilling.
- Turn mode selector on hammer drill to normal drilling action.
- Begin drilling at a very low speed to prevent the bit from slipping off the starting point.
- Maintain a speed and pressure which allows cutting without overheating the bit. Applying too much pressure will:
  - Overheat the drill;
  - Wear the bearings;
  - Bend or burn bits; and
  - Produce off-center or irregular shaped holes.
- When drilling large holes in metal, we recommend that you drill with a small bit at first, then finish with a larger bit. Also, lubricate the bit with oil to improve drilling action and increase bit life.

## MASONRY DRILLING

- For maximum performance use carbide-tipped masonry impact bits when drilling holes in brick, tile, concrete, etc.
- Turn mode selector on hammer drill to hammer mode. Rotate torque selector to drill position.
- Apply light pressure and medium speed for best results in brick.
- Apply additional pressure and high speed for hard materials such as concrete.
- When drilling holes in tile, practice on a scrap piece to determine the best speed and pressure.

# OPERATION

## CHUCK REMOVAL

See Figures 17, 18, and 19.

The chuck must be removed in order to use some accessories. To remove:

- Lock the switch trigger by placing the direction of rotation selector in center position. See Figure 6.
- Insert a 5/16 inch or larger allen wrench (hex key wrench) into the chuck of your drill and tighten the chuck jaws securely.
- Tap the allen wrench sharply with a mallet in a clockwise direction. See Figure 17. This will loosen the screw in the chuck for easy removal.

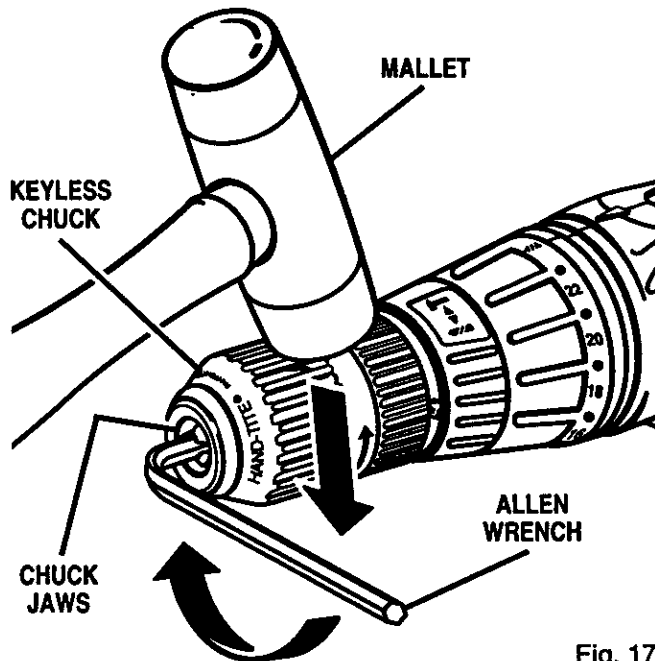


Fig. 17

- Open chuck jaws and remove allen wrench. Remove the chuck screw by turning it in a clockwise direction. See Figure 18. Note: The screw has left hand threads.

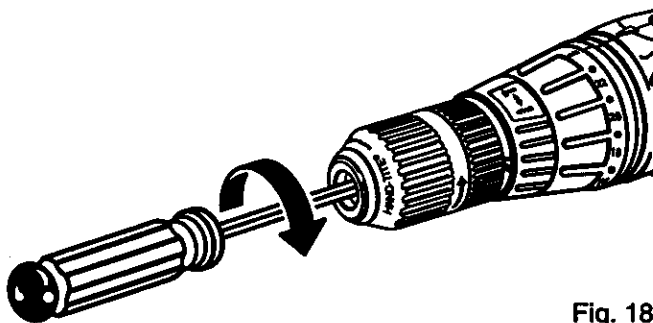


Fig. 18

- Insert allen wrench in chuck and tighten chuck jaws securely. Tap sharply with a mallet in a counterclockwise direction. This will loosen chuck on the spindle. It can now be unscrewed by hand. See Figure 19.

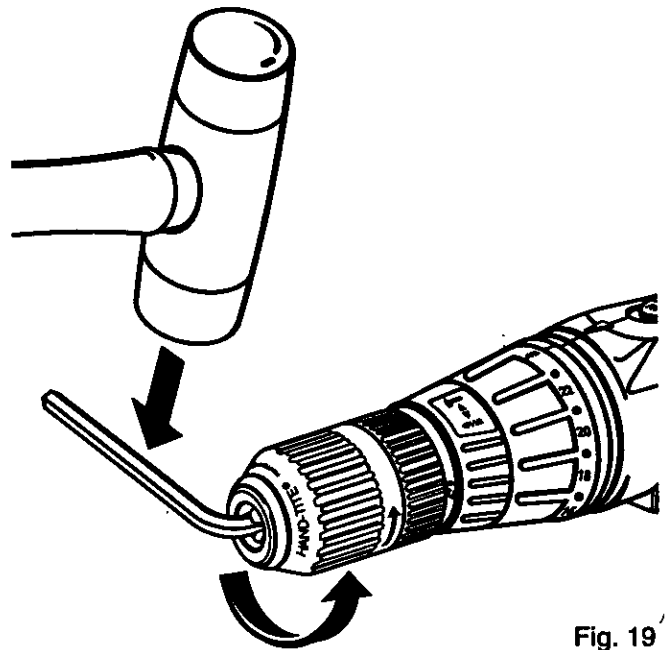


Fig. 19

## TO RETIGHTEN A LOOSE CHUCK

The chuck may become loose on spindle and develop a wobble. Also, the chuck screw may become loose causing the chuck jaws to bind and prevent them from closing. To tighten, follow these steps:

- Lock the switch trigger by placing the direction of rotation selector in center position. See Figure 6.
- Insert allen wrench into chuck and tighten chuck jaws securely. Tap allen wrench sharply with a mallet in a clockwise direction. This will tighten chuck on the spindle.
- Open the chuck jaws and remove allen wrench.
- Tighten the chuck screw. Note: The chuck screw has left hand threads.

# MAINTENANCE

**⚠ WARNING:** When servicing, use only identical Craftsman replacement parts. Use of any other part may create a hazard or cause product damage.

Avoid using solvents when cleaning plastic parts. Most plastics are susceptible to damage from various types of commercial solvents and may be damaged by their use. Use clean cloths to remove dirt, dust, oil, grease, etc.

**⚠ WARNING:** Do not at any time let brake fluids, gasoline, petroleum-based products, penetrating oils, etc. come in contact with plastic parts. They contain chemicals that can damage, weaken or destroy plastic.

Do not abuse power tools. Abusive practices can damage tool as well as workpiece.

Only the parts shown on parts list, page 17, are intended to be repaired or replaced by the customer. All other parts should be replaced by a qualified service technician at an authorized service facility.

**⚠ WARNING:** Do not attempt to modify this tool or create accessories not recommended for use with this tool. Any such alteration or modification is misuse and could result in a hazardous condition leading to possible serious personal injury.

## BATTERIES

Your drill's battery pack is equipped with 15 nickel-cadmium rechargeable batteries. Length of service from each charging will depend on the type of work you are doing.

The batteries in this tool have been designed to provide maximum trouble free life. However, like all batteries, they will eventually wear out. Do not disassemble battery pack and attempt to replace the batteries. Handling of these batteries, especially when wearing rings and jewelry, could result in a serious burn.

To obtain the longest possible battery life, we suggest the following:

- Store and charge your batteries in a cool area. Temperatures above normal room temperature will shorten battery life.
- Never store batteries in a discharged condition. Recharge them immediately after they are discharged.
- All batteries gradually lose their charge. The higher the temperature the quicker they lose their charge. If you store your tool for long periods of time without using it, recharge the batteries every month or two. This practice will prolong battery .



To preserve natural resources, please recycle or dispose of expired battery pack properly.

This product contains nickel-cadmium battery. Must be disposed of properly. Local, state, or federal laws may prohibit disposal of nickel-cadmium batteries in ordinary trash. Consult your local waste authority for information regarding available recycling and/or disposal options.

## BATTERY PACK REMOVAL AND PREPARATION FOR RECYCLING

**⚠ WARNING:** Upon removal, cover the battery pack's terminals with heavy duty adhesive tape. Do not attempt to destroy or disassemble battery pack or remove any of its components. Nickel-cadmium batteries must be recycled or disposed of properly. Also, never touch both terminals with metal objects and/or body parts as short circuit may result. Keep away from children. Failure to comply with these warnings could result in fire and/or serious injury.

## OVERLOAD

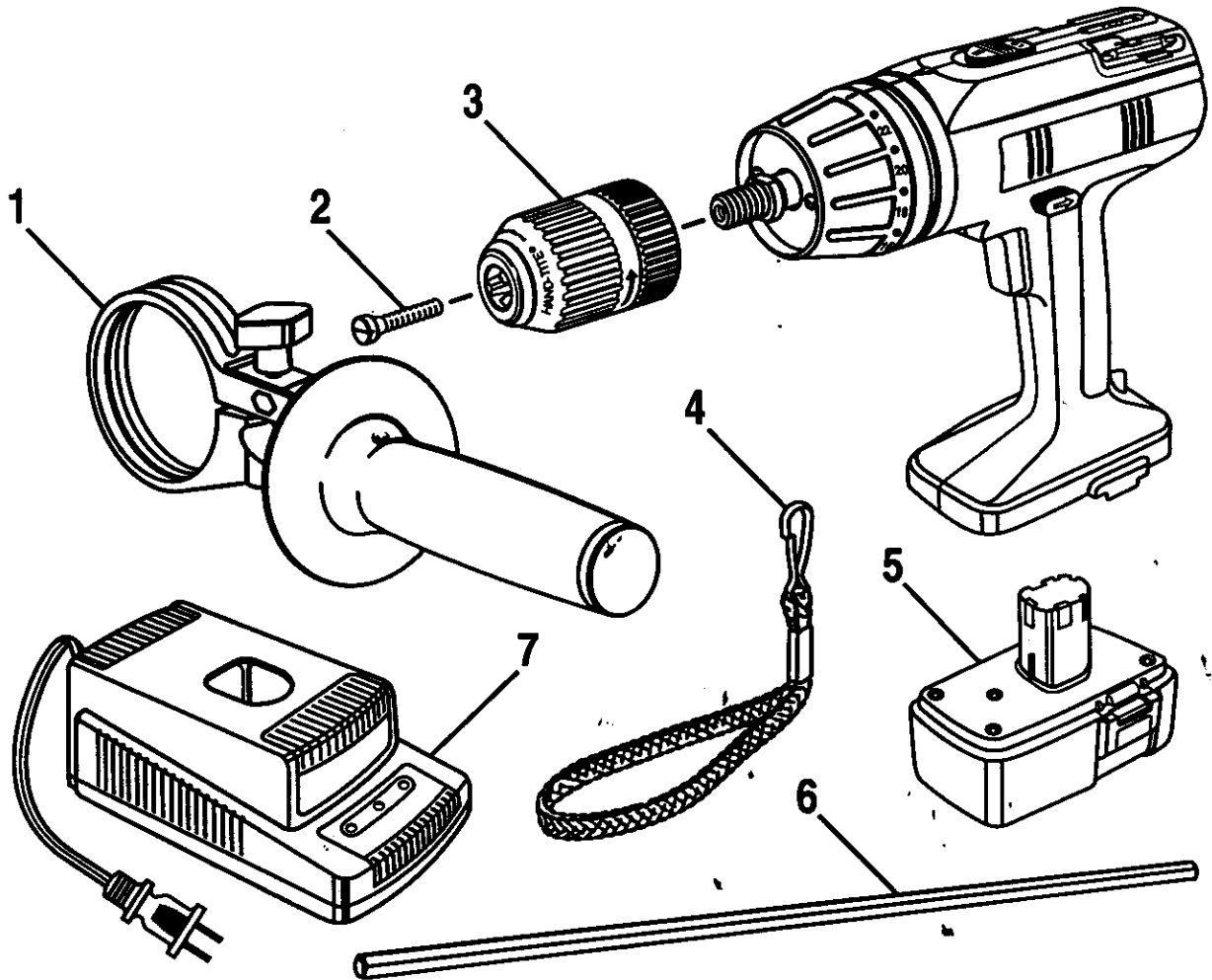
Your drill has a built-in overload protector to protect the motor during overloading or prolonged use. The overload protector automatically activates to break the circuit. When this occurs, allow your drill to cool a few seconds before resuming operation.



**CRAFTSMAN PROFESSIONAL 1/2 in. CORDLESS HAMMER DRILL  
MODEL NO. 315.274990**

The model number will be found on a plate attached to the motor housing. Always mention the model number in all correspondence regarding your 1/2 in. CORDLESS HAMMER DRILL or when ordering repair parts.

**SEE BACK PAGE FOR PARTS ORDERING INSTRUCTIONS**



**PARTS LIST**

Key No.	Part Number	Description	Quan.
1	979599-000	Auxiliary Handle Assembly .....	1
2	975379-000	Screw (Special) .....	1
3	975111-001	1/2 in. Chuck .....	1
4	967216-006	Wrist Strap .....	1
5	975284-001	* Battery Pack (Item No. 9-11098) .....	1
6	980199-000	Depth Gage Rod .....	1
7	975283-001	* Battery Charger (Item No. 9-11089) .....	1
8	979600-000	Carrying Case - Not shown .....	1
	972000-536	Owner's Manual	

\* Can Be Purchased Thru RSOS (Retail Special Order System)

**For in-home major brand repair service:**

Call 24 hours a day, 7 days a week

**1-800-4-MY-Home<sup>SM</sup>** (1-800-469-4663)

**Para pedir servicio de reparación a domicilio – 1-800-676-5811**

In Canada for all your service and parts needs call  
Au Canada pour tout le service ou les pièces – **1-800-665-4455**

**For the repair or replacement parts you need:**

Call 7 am – 7 pm, 7 days a week

**1-800-366-PART** (1-800-366-7278)

**Para ordenar piezas con entrega a domicilio – 1-800-659-7084**

**For the location of a Sears Parts and Repair Center in your area:**

Call 24 hours a day, 7 days a week

**1-800-488-1222**

**For information on purchasing a Sears Maintenance Agreement  
or to inquire about an existing Agreement:**

Call 9 am – 5 pm, Monday – Saturday

**1-800-827-6655**



The Service Side of Sears<sup>SM</sup>