

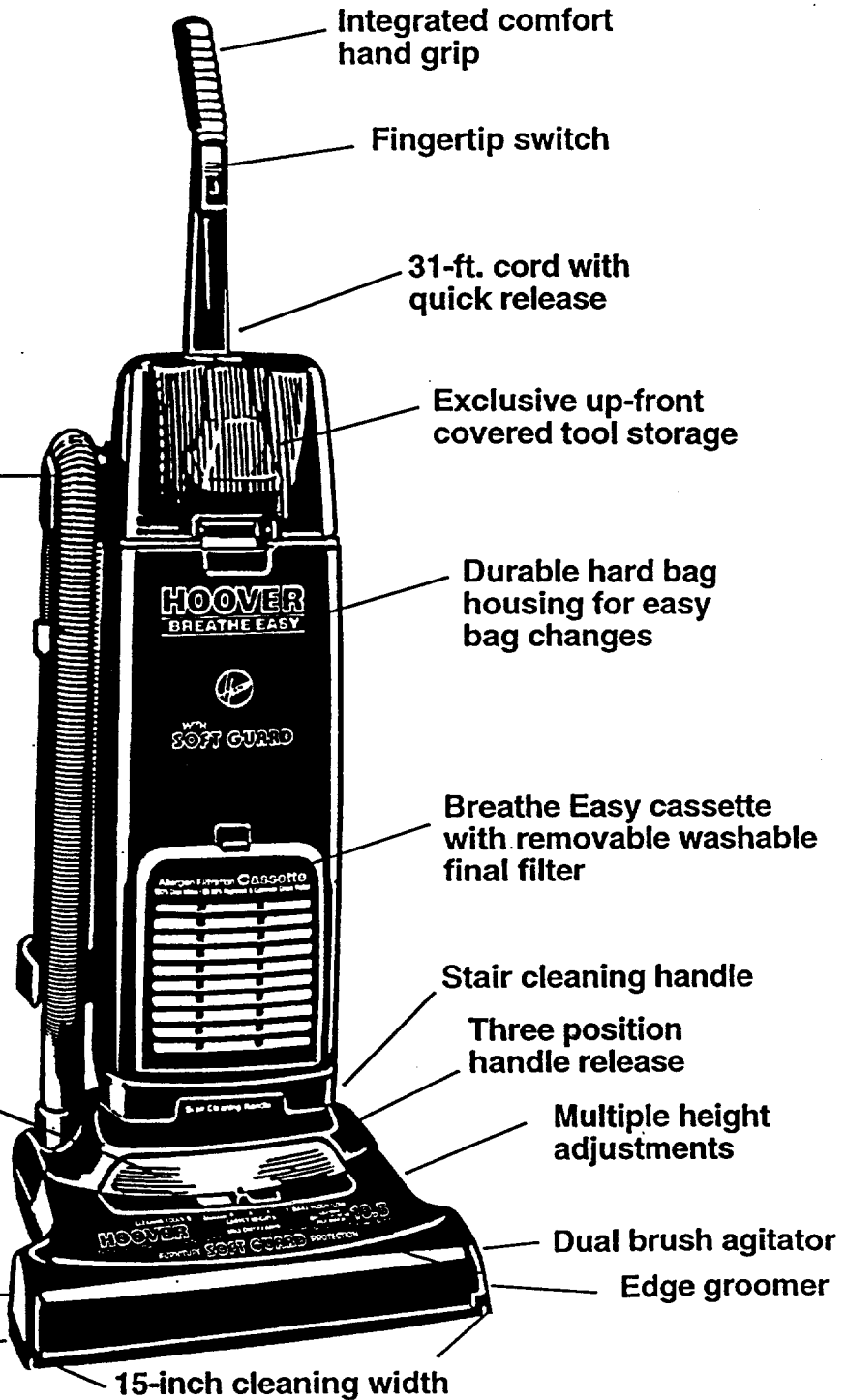
U5248-930 BREATHE EASY - SOFT GUARD

UPC Code
0-73502-01979-5

CLEANING EFFECTIVENESS = **19.5**
PER AMP

Attachment set includes:

- Attached Hose
- Dusting Brush
- Furniture Nozzle
- Crevice Tool
- Extension Wand



Integrated comfort hand grip

Fingertip switch

31-ft. cord with quick release

Exclusive up-front covered tool storage

Permanently attached super-stretch hose

Durable hard bag housing for easy bag changes



4010100Z

40201116

Breathe Easy cassette with removable washable final filter

Allergen Filtration
100% Dust Mites
99.98% Ragweed Pollen & Common Grass Pollens

Stair cleaning handle

Three position handle release

Brilliant headlight

Multiple height adjustments

Dual brush agitator

Edge groomer

Edge groomer

Soft guard furniture protection

15-inch cleaning width

HOOVER UNCONDITIONAL GUARANTEE

Full one-year warranty.

Deep Sand



Deluxe Upright Cleaners

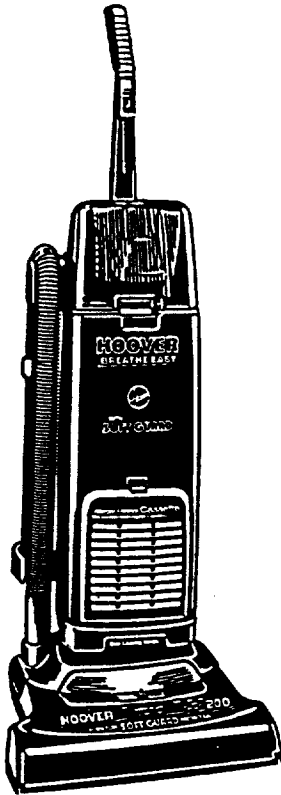


Fig. 1

The subject refers to "PowerMax"TM and "Breathe Easy"TM upright models which were introduced in mid - 1998; Six models comprised the initial line. General appearance was like the ones in Fig. 1.

Features include:

- Soft GuardTM for extra protection of furniture
- Embedded Dirt FINDERTM (some models)
- 24 and 31ft Cords
- "15" cleaning width
- Cord dump (quick release)
- Hose - side stretch - permanently attached.
- Allergen filtration disposable bag -Type "Z"
- Extra bag&belt storage
- Headlight
- Multiple Height Adjustment/Tool conversion
- Edge groomers
- Dual brush agitator
- 3 Layer washable final filter (some models)
- Covered tool storage up front

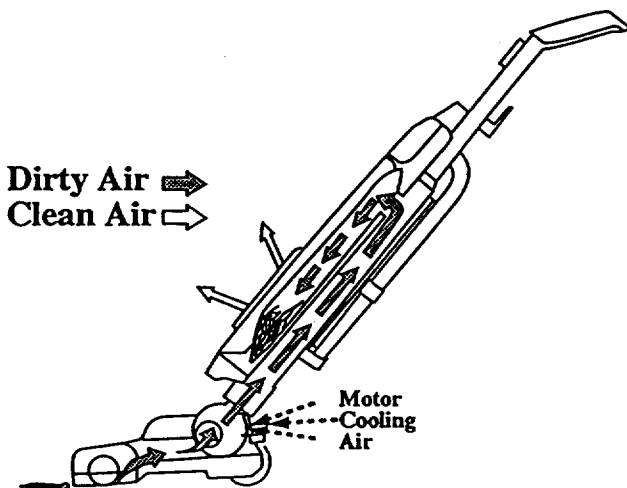


Fig. 2

These cleaners operate on a dirty air principal, i.e, the air that brings dirt into the cleaner is separate from the air that cools the motor. ~~the motor~~ **Airflow** is illustrated in Fig 2.

The dirty air from the floor or above the floor if using tools, goes past the motor area then directly into the **primary filter (the throw-away bag)** which captures the dust dirt and debris from the surface being cleaned. It is very important that TA bags are changed as needed for maximum performance.

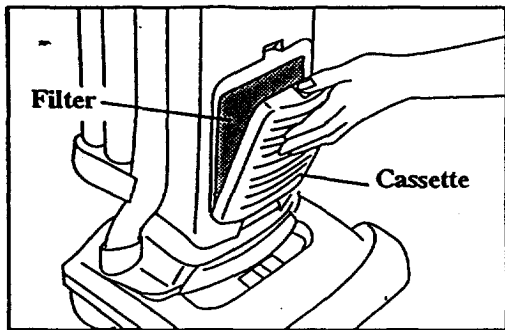


Fig. 3

“Breathe Easy”™ models also have 3 layer, washable “final filter” in a visible *cassette* on the front of the bag housing. These filters trap 100% dust mites and 99.98% ragweed and common grass pollens. Like any filter, these must be kept clean to insure maximum performance. Fig.3.

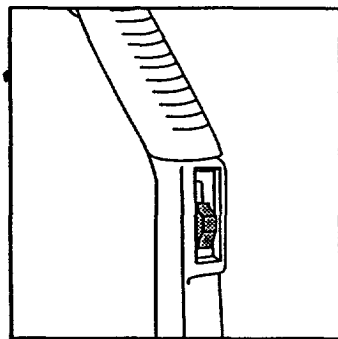


Fig. 4

The On/Off Switch control is located on the front of the upper handle . Fig 4.

On models with the Embedded Dirt FINDER™ (EDF) feature, the switch (HI & LO) and indicator lights are located on the top of the bag housing in easy view of the operator. Fig. 5.

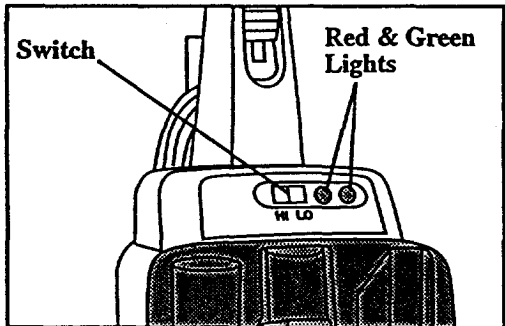


Fig. 5

The EDF feature is powered by a 9 Volt battery which the customer must install.

The DIRT FINDER feature tells the user when dirt is being removed from the carpet via a small microphone located in the fill tube. When dirt is being picked up the mic senses it and the RED light comes on. When the carpet is clean the light turns GREEN.

The cleaning tool hose is permanently attached to the cleaner body through an opening in the hood. Therefore, the user must insure that the nozzle control on the front of the hood is set properly for floor or above the floor cleaning. Suction is diverted via a gate valve located behind the agitator cavity.

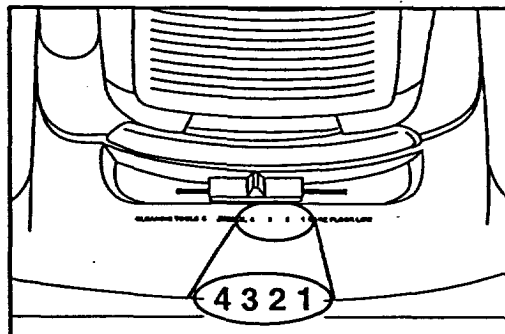


Fig. 6

Settings 1 to 4 are carpet (or floor) settings. In any one of these positions all suction is diverted to the cleaner nozzle. There is no suction at the end of the hose. Fig. 6.

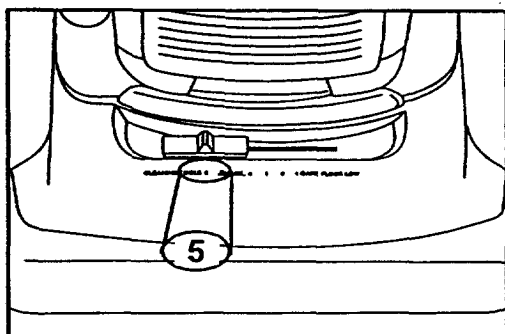


Fig. 7

Setting 5 is strictly for using the cleaning tools. In this position, all suction is diverted to the hose and there is no suction at the nozzle of the cleaner. Fig. 7.

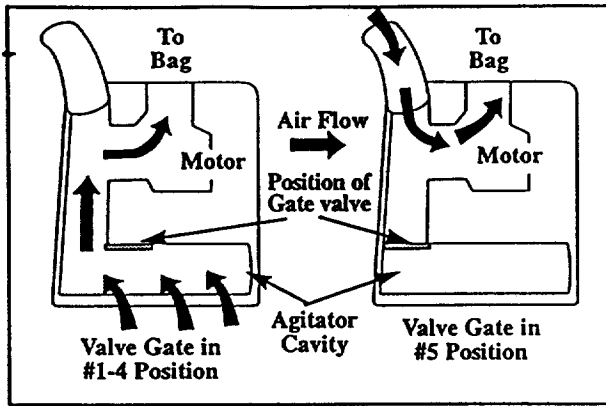


Fig. 8

Air Flow in the settings described in figures 6 and 7 are illustrated in Figure 8.

These cleaners use a single 12 volt, wedge base Headlight part # 27313101.

To replace the bulb, the carpet height adjuster (B) has to be taken off then 4 screws (A) have to be removed from the top of the hood. Fig. 9.

One Flat Belt #38528027 is used to drive the agitator. To get to the belt, four screws must be removed from the bottom plate. Fig. 10.

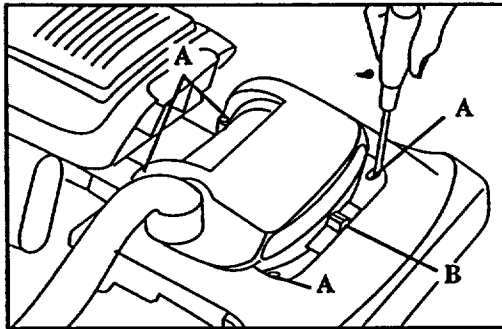


Fig. 9

NOTE: THE AGITATOR ROTATES AS LONG AS THE CLEANER IS TURNED ON.

Refer to the Hoover Service Manual for repair procedures and the Microfiche Parts Catalog, light brown header, for spare parts.

Warranty - 56115015 - Full One Year
(Domestic use)

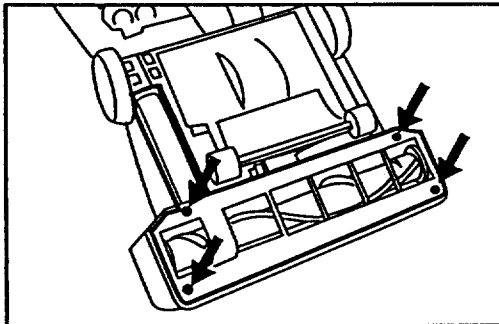


Fig. 10

Key components of a "Breathe Easy"™ model with the EDF are shown on the next page in Figure 11.

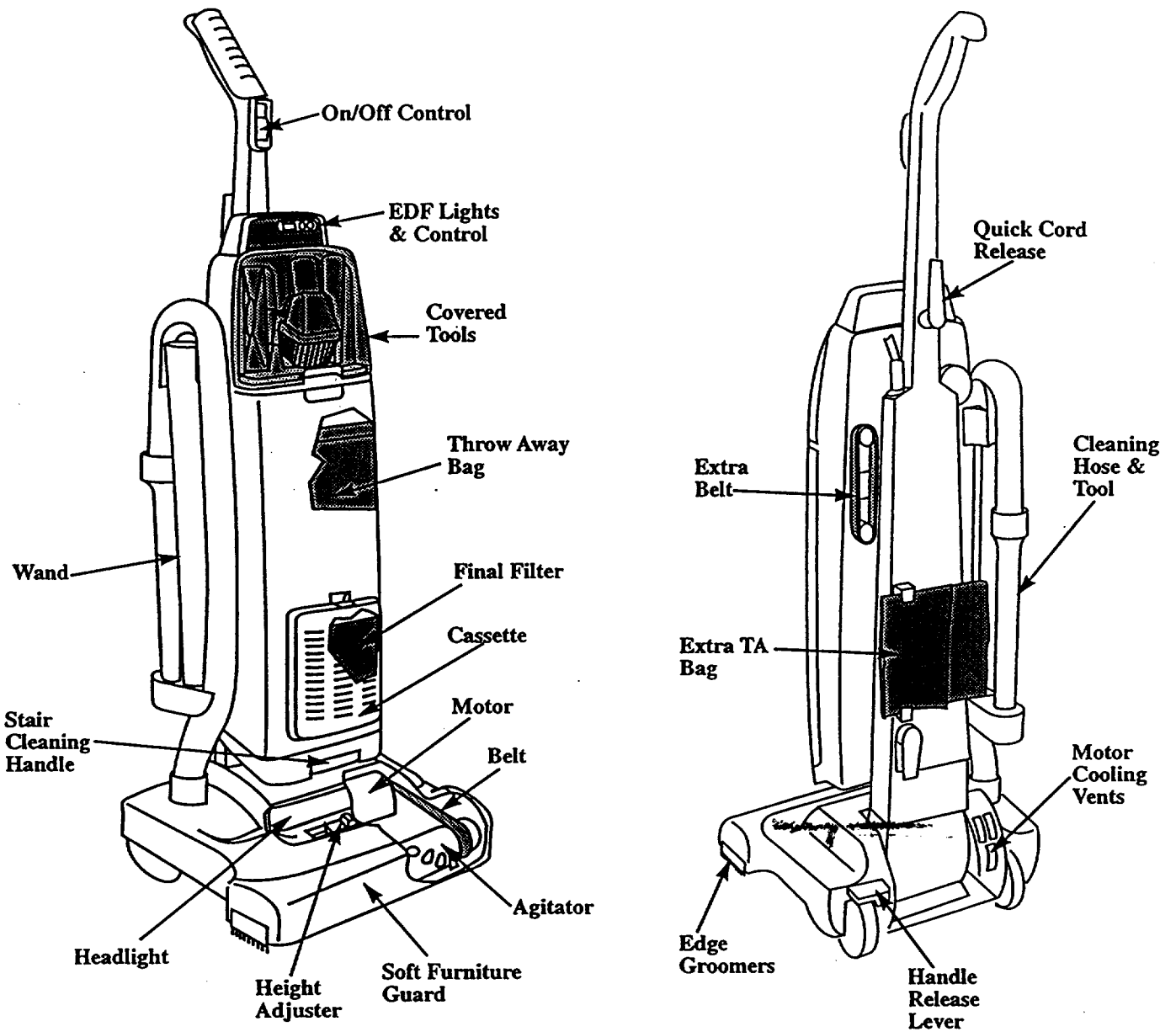


Fig. 11

**HOOVER / SEARS, ROEBUCK AND COMPANY
CROSS REFERENCE**

HOOVER MODEL NUMBER	DESCRIPTION	SEARS MODEL NUMBER	HOOVER MODEL NUMBER	DESCRIPTION	SEARS MODEL NUMBER
C1069	Industrial Upright	39776	U4413-042	Convertible	39771
F5047	Scrub & Vac	-----	U4449-048	Convertible	39772
F5411	Steam Vac Jr.	86803	U4519	Convertible	38750
F5815	Steam Vac	84805	U4521	Convertible	38751
F5831-900	Steam Vac Supreme	86805	U4523	Convertible	38765
F5851	Steam Vac Deluxe	84807	U4531	Convertible	39748
F5853-900	Steam Vac Supreme	86807	U4567-910	Legacy II	32860
F5865-900	Steam Vac Deluxe	87807	U4567-920	Legacy II	32860
F5871-900	Steam Vac Plus	89807	U4617-910	Elite II	32855
F5881-900	Steam Vac Ultra	87809	U4617-920	Elite II	-----
S1071-800	Help Mate	-----	U4617-930	Elite II	33801
S1075-060	Portapower	-----	U4641-920	Elite II	-----
S1077-060	Portapower	-----	U4641-930	Elite II	33803
S1083-100	Brush Vac	-----	U4655-930	Elite II	35804
S1105	Wet Dry Hand Vac	64682	U4689-910	Elite II	32875
S1215	Sprint	21822	U4723	Elite	31848
S1319	Tempo	23831	U4725	Convertible	31850
S1337	Portapower II	24801	U4727-900	Convertible	31851
S1339	TurboPOWER 1000	26801	U4729-900	Convertible	31865
S2095	Quik-Broom II	64382	U4731-910	Legacy	31871
S2097	Quik-Broom II	64383	U4901	Cleaning Tools	39775
S2099	Quik-Broom II	-----	U4S01	Convertible (Kenmore)	39778
S2211	Brush Vac Stick	30870	U5035-930	Elite II	33805
S2561	Portapower Stick Clnr.	30869	U5043-910	Elite II- Hard Bag	-----
S3277-040	Dimension 1000	-----	U5049-900	Innovation	39770
S3281-040	Dimension 1000	-----	U5051-930	Preferred	34805
S3431	Spirit	28813	U5053-930	Legacy II	33807
S3435	Spirit	28822	U5055-930	Encore Supreme	35801
S3493	Dimension 1000	28843	U5057-930	Elite II	35803
S3505	Spirit	20840	U5073-930	TurboPOWER 2000	36803
S3509	Futura	23843	U5076-930	TurboPOWER 2200	37803
S3517	Futura	21804	U5081-930	TurboPOWER 3000	36805
S3523	Futura	24803	U5095-930	Preferred	35806
S3533	Futura	24805	U5101-930	TurboPOWER 4000	36807
S3547	TurboPOWER 2000	26803	U5109-930	Legacy II	34806
S3555	Futura	22848	U5219-930	Legacy	36804
S3565	Futura	23850	U5221-930	Dimension	34807
S3567	Futura	24807	U5223-930	Dimension	
S3575	Spectrum	-----	U5227-930	Dimension	35807
S3577	TurboPOWER 5000	26807	U5231-930	Dirt Finder	-----
S3585	Spectrum	22850	U5235-930	TurboPOWER 5000	-----
S3603	Powermax	24807	U5248-930	Breathe Easy	38809
S3603-040	Powermax	24809	U5433-900	WindTunnel	37849
S3613	TurboPOWER 6000	26809	U5445-900	WindTunnel	37879
S3627	Spirit	21831	U5465-900	WindTunnel	37899
S3629	Spirit	21841	S5643	Central Vac Tool Kit	40010
S3631	Spirit	21842	S5671	Central Vac	4001
S3633	Dimension	21843	S5673	Central Vac	4002
S3635	Dimension	21844	S5697	Central Vac Tool Kit	40011
U3321	Concept Two	39774	S5703	Central Vac Tool Kit	40012
U3339	Concept One	38772	S5709	Central Vac Tool Kit	40013
U3345-900	Concept One	31872	U6317-930	Power Drive	35809
U3721-910	Powermax	32870	U6321-930	TurboPOWER 6000	36809
U3725-930	Powermax	33809	U6323-930	Power Drive Supreme	37809
U3903	Cleaning Tools	39765	U6335-930	TurboPOWER 7000	36810
U4257-930	Sprint Upright	36800	U6425-900	Self Propelled Ultra	37869
U4263-930	Elite II	34801	U6445-900	Self Propelled Premium	37839
U4293-930	Encore Supreme	35802	U7069	Conquest	-----
U4377-935	Convertible	39773			

OWNER MANUAL PART NUMBERS

HOOVER		OWNER	HOOVER		OWNER
MODEL		MANUAL	MODEL		MANUAL
NUMBER	DESCRIPTION	NUMBER	NUMBER	DESCRIPTION	NUMBER
C1069	Industrial Upright	N/A	U4449-048	Convertible	N/A
F5047	Scrub & Vac	56518057	U4519	Convertible	N/A
F5411	Steam Vac Jr.	56518084	U4521	Convertible	N/A
F5815	Steam Vac	56518080	U4523	Convertible	N/A
F5831-900	Steam Vac Supreme	56518085	U4531	Convertible	N/A
F5851	Steam Vac Deluxe	56518086	U4567-910	Legacy II	N/A
F5853-900	Steam Vac Supreme	56518086	U4567-920	Legacy II	N/A
F5865-900	Steam Vac Deluxe	56518098	U4617-910	Elite II	56511352
F5871-900	Steam Vac Plus	56518110	U4617-920	Elite II	56511395
F5881-900	Steam Vac Ultra	56518097	U4617-930	Elite II	56511395
S1071-800	Help Mate	N/A	U4641-920	Elite II	56511353
S1075-060	PortaPower	N/A	U4641-930	Elite II	56511395
S1077-060	PortaPower	N/A	U4655-930	Elite II	56511A04
S1083-100	Brush Vac	59139051	U4689-910	Elite II	56511353
S1105	Wet Dry Hand Vac	59139048	U4723	Elite	N/A
S1215	Sprint	56512139	U4725	Convertible	N/A
S1319	Tempo	56512140	U4727-900	Convertible	N/A
S1337	PortaPower II	56512162	U4729-900	Convertible	N/A
S1339	TurboPOWER 1000	56512168	U4731-910	Legacy	56511382
S2095	Quik Broom II	56512127	U4901	Cleaning Tools	N/A
S2097	Quik Broom II	56512159	U4S01	Convertible (Kenmore)	N/A
S2099	Quik Broom II	56512127	U5035-930	Elite II	56511A23
S2211	Brush Vac Stick	56512170	U5043-910	Elite II- Hard Bag	56511A23
S2561	PortaPower Stick Cleaner	56512167	U5049-900	Innovation	N/A
S3277-040	Dimension 1000	56513207	U5051-930	Preferred	56511268
S3281-040	Dimension 1000	56513214	U5053-930	Legacy II	56511234
S3431	Spirit	N/A	U5055-930	Encore Supreme	56511126
S3435	Spirit	N/A	U5057-930	Elite II	56511126
S3493	Dimension 1000	56513214	U5073-930	TurboPOWER 2000	56511A21
S3505	Spirit	N/A	U5076-930	TurboPOWER 2200	56511126
S3509	Futura	56513332	U5081-930	TurboPOWER 3000	56511A23
S3517	Futura	56513308	U5095-930	Preferred	56511A24
S3523	Futura	56513332	U5101-930	TurboPOWER 4000	56511A25
S3533	Futura	56513332	U5109-930	Legacy II	56511398
S3547	TurboPOWER 2000	N/A	U5219-930	Legacy	56511234
S3555	Futura	56513292	U5221-930	Dimension	56511A07
S3565	Futura	56513292	U5223-930	Dimension	56511395
S3567	Futura	56513340	U5231-930	Dirt Finder	56511A07
S3575	Spectrum	56513291	U5235-930	TurboPOWER 5000	56511A07
S3577	TurboPOWER 5000	56513340	U5248-930	Breathe Easy	56511A53
S3585	Spectrum	56513291	U5395-900	WindTunnel	56511A34
S3603	Powermax	56513333	U5433-900	WindTunnel	56511A35
S3603-040	Powermax	56513333	U5445-900	WindTunnel	56511A35
S3613	TurboPOWER 6000	56513341	U5465-900	WindTunnel	56511A35
S3627	Spirit	56513310	U5465-960	WindTunnel	56511A35
S3629	Spirit	N/A	S5643	Central Vac Tool Kit	56519050
S3631	Spirit	56513311	S5671	Central Vac	56513334
S3633	Dimension	56513207	S5673	Central Vac	56513334
S3635	Dimension	56513214	S5697	Central Vac Tool Kit	56515025
U3321	Concept Two	56511270	S5703	Central Vac Tool Kit	56515025
U3339	Concept One	56511267	S5709	Central Vac Tool Kit	56515025
U3345-900	Concept One	56511338	U6317-930	Power Drive	56511A06
U3721-910	Powermax	N/A	U6321-930	TurboPOWER 6000	56511A06
U3725-930	Powermax	N/A	U6323-930	Power Drive Supreme	56511A06
U3903	Cleaning Tools	N/A	U6335-930	TurboPOWER 7000	56511A06
U4263-930	Elite II	56511A01	U6425-900	Self Propelled Ultra	56511A49
U4293-930	Encore Supreme	56511A01	U6445-900	Self Prop. Premium	56511A49
U4377-935	Convertible	N/A	U7069	Conquest	56711052
U4413-042	Convertible	56511224			

NAVIGATIONAL CHART

HOOVER MODEL NUMBER	DESCRIPTION	SERVICE MANUAL PAGE	MICROFICHE PARTS LIST SECTION	PAGE	TROUBLESHOOTING GUIDE SECTION	PRODUCT OVERVIEW SHEETS
U4290-930	Encore Supreme	108	UPRIGHT	201	ELITE	UVC 12A
U4377-935	Convertible	67	UPRIGHT	68	CONV / DECADE	UVC 1
U4418-932	Convertible	67	UPRIGHT	68	CONV / DECADE	UVC 1
U4449-048	Convertible	67	UPRIGHT	68	CONV / DECADE	UVC 1
U4510	Convertible	67	UPRIGHT	220	CONV / DECADE	UVC 1
U4521	Convertible	67	UPRIGHT	230	CONV / DECADE	UVC 1
U4528	Convertible	67	UPRIGHT	232	CONV / DECADE	UVC 1
U4531	Convertible	67	UPRIGHT	125	CONV / DECADE	UVC 1
U457-910	Convertible	91	UPRIGHT	228	LEGACY	UVC 19A1
U4587-920	Legacy II	91	UPRIGHT	272	LEGACY	UVC 19A1
U4817-920	Elite II	108	UPRIGHT	245	ELITE	UVC 12A
U4817-930	Elite II	108	UPRIGHT	245	ELITE	UVC 12A
U4641-920	Elite II	108	UPRIGHT	249	ELITE	UVC 12A
U4641-930	Elite II	108	UPRIGHT	249	ELITE	UVC 12A
U4655-930	Elite II	108	UPRIGHT	249	ELITE	UVC 12A
U4689-910	Elite II	108	UPRIGHT	257	ELITE	UVC 12A
U4723	Elite	79	UPRIGHT	193	ELITE	UVC 12
U4725	Convertible	67	UPRIGHT	228	CONV / DECADE	UVC 1
U4727-900	Convertible	67	UPRIGHT	230	CONV / DECADE	UVC 1
U4728-900	Convertible	67	UPRIGHT	240	CONV / DECADE	UVC 1
U4731-910	Legacy	91	UPRIGHT	236	LEGACY	UVC 18
U4901	Special Tool	N/A	N/A		N/A	N/A
U4S01	Convertible (Kanmore)	67	N/A		CONV / DECADE	UVC 1
U5031-930	Elite	108	UPRIGHT	280	ELITE	UVC 12A
U5043-910	Elite II- Hard Bag	108	UPRIGHT	280	ELITE	UVC 12A
U5043-930	Innovation	108	UPRIGHT	287	INNOVATION	UVC 18
U5051-930	Preferred	108	UPRIGHT	300	ELITE	UVC 12A
U5055-930	Encore Supreme	108	UPRIGHT	305	LEGACY	UVC 19A1
U5055-930	Encore Supreme	108	UPRIGHT	305	ELITE	UVC 12A
U5073-930	TurboPOWER 2000	108	UPRIGHT	305	ELITE	UVC 12A
U5073-930	TurboPOWER 2000	108	UPRIGHT	315	ELITE	UVC 12A
U5081-930	TurboPOWER 3000	108	UPRIGHT	315	ELITE	UVC 12A
U5101-930	TurboPOWER 4000	91	UPRIGHT	318	LEGACY	UVC 19A1
U5101-930	TurboPOWER 4000	91	UPRIGHT	317	LEGACY	UVC 19A1
U5219-930	Legacy	91	UPRIGHT	292	LEGACY	UVC 18
U5223-930	Dimension	91	UPRIGHT	292	LEGACY	UVC 18
U5223-930	Dimension	91	UPRIGHT	292	LEGACY	UVC 26
U5231-930	Dirt Finder	91	UPRIGHT	310	DIRT FINDER	UVC 27
U5231-930	Dirt Finder	91	UPRIGHT	310	DIRT FINDER	UVC 27
U5248-930	Breathe Easy	91	UPRIGHT	335	DIMENSION	UVC 48
U5483-900	WindTunnel	149 A-1	UPRIGHT	327	WINDTUNNEL	UVC 35
U5445-900	WindTunnel	149 A-1	UPRIGHT	327	WINDTUNNEL	UVC 35
U5785-930	WindTunnel	149 A-1	UPRIGHT	327	WINDTUNNEL	UVC 35
S5643	Central Vac Tool Kit	308	CANISTER	297	CENTRAL VAC	CVC 1
S567	Central Vac	308	CANISTER	295	CENTRAL VAC	CVC 1
S5673	Central Vac	308	CANISTER	295	CENTRAL VAC	CVC 1
S569	Central Vac	308	CANISTER	305	CENTRAL VAC	CVC 1
S5703	Central Vac Tool Kit	308	CANISTER	303	CENTRAL VAC	CVC 1
S5703	Central Vac Tool Kit	308	CANISTER	303	CENTRAL VAC	CVC 1
U6317-930	Power Drive	52	UPRIGHT	294	POWER DRIVE	UVC 33
U6323-930	Power Drive Supreme	52	UPRIGHT	294	POWER DRIVE	UVC 33
U6323-930	Power Drive Supreme	52	UPRIGHT	293	POWERDRIVE	UVC 33
U6323-930	Power Drive Supreme	52	UPRIGHT	293	POWERDRIVE	UVC 33
U6425-900	Self Propelled Ultra	N/A	UPRIGHT	339	SELF PROPELLED	UVC 43
U7069	Conquest	N/A	INDUSTRIAL	155	CONQUEST	UVC 7

NAVIGATIONAL CHART

HOOVER MODEL NUMBER	DESCRIPTION	SERVICE MANUAL PAGE	MICROFICHE PARTS LIST SECTION	PAGE	TROUBLESHOOTING GUIDE SECTION	PRODUCT OVERVIEW SHEETS
C1069	Industrial Upright		INDUSTRIAL	23	INDUSTRIAL UPRIGHT	UVC 14
F5047	Scrub & Vac	369	POL / FL COND / DOM. EXT	50/52	FLOOR - A - MATIC	FP 10
F5411	Steam Vac	369 A-1	POL / FL COND / DOM. EXT	68	STEAM VAC JR.	FP 25
F5815	Steam Vac	338	POL / FL COND / DOM. EXT	61	STEAM VAC	FP 17
F5833-900	Steam Vac Supreme	338	POL / FL COND / DOM. EXT	68	STEAM VAC	FP 21
F5851	Steam Vac Deluxe	350	POL / FL COND / DOM. EXT	64	STEAM VAC DELUXE	FP 19
F5853-900	Steam Vac Supreme	350	POL / FL COND / DOM. EXT	70	STEAM VAC DELUXE	FP 24
F5865-900	Steam Vac Deluxe	363 B-1	POL / FL COND / DOM. EXT	72	STEAM VAC W/ AUTO TOOL CON.	FP 27
F5871-900	Steam Vac Ultra	363 B	POL / FL COND / DOM. EXT	71/6	STEAM VAC W/ AUTO TOOL CON.	FP 27
F5881-900	Steam Vac Ultra	363 B-1	POL / FL COND / DOM. EXT	72	STEAM VAC W/ AUTO TOOL CON.	FP 27
S1071-800	Hand/Matic	274	HAND / STICK	42	N/A	HSC 3
S1075-060	Portapower	260	CANISTER	19	N/A	HSC 4
S1077-060	Portapower	260	CANISTER	19	N/A	HSC 4
S1083-100	Brush Vac	283	HAND / STICK	38	BRUSH VAC	HSC 1
S1102	Hand/Matic	274	HAND / STICK	55	BRUSH VAC	HSC 2
S1215	Sprint	288	CANISTER	198	SPRINT	HSC 7
S1310	Tempo	294	CANISTER	201	TEMPO	HSC 8
S1337	Portapower II	294	CANISTER	202	TEMPO	HSC 8
S1339	TurboPOWER 6000	281	CANISTER	202	TEMPO	HSC 8
S2095	Quik-Broom II	266	HAND / STICK	44	QUIK - BROOM II	HSC 6
S2097	Quik-Broom II	266	HAND / STICK	46	QUIK - BROOM II	HSC 6
S2099	Quik-Broom II	266	HAND / STICK	48	QUIK - BROOM II	HSC 6
S2211	Brush Vac Stick	307 B-1	HAND / STICK	78	BRUSH VAC STICK	HSC 11
S2561	Portapower Stick Clnr.	307 A-1	HAND / STICK	74	STICK CLEANERS	HSC 10
S3222-000	Dimension 1000	220	CANISTER	137	DIMENSION	CVC 3
S3281-040	Dimension 1000	220	CANISTER	141	DIMENSION	CVC 8
S3433	Spirit	207	CANISTER	177	SPIRIT	CVC 15
S3435	Spirit	207	CANISTER	169	SPIRIT	CVC 15
S3498	Dimension 1000	220	CANISTER	141	DIMENSION	CVC 3
S3505	Spirit	207	CANISTER	195	SPIRIT	CVC 15
S3509	Futura	235	CANISTER	256	FUTURA	CVC 11
S3517	Futura	235	CANISTER	241	FUTURA	CVC 11
S3523	Futura	235	CANISTER	267	FUTURA	CVC 11
S3533	Futura	235	CANISTER	242	FUTURA	CVC 11
S3537	TurboPOWER 6000	235	CANISTER	257	FUTURA	CVC 11
S3555	Futura	235	CANISTER	247	FUTURA	CVC 11
S3565	Futura	235	CANISTER	247	FUTURA	CVC 11
S3567	Futura	235	CANISTER	292	FUTURA	CVC 11
S3575	Spectrum	235	CANISTER	229	SPECTRUM	CVC 11
S3577	TurboPOWER 5000	235	CANISTER	292	FUTURA	CVC 11
S3588	Spectrum	235	CANISTER	231	SPECTRUM	CVC 11
S3603	Powermax	235	CANISTER	273	SPECTRUM	CVC 11
S3603-040	Powermax	235	CANISTER	272	SPECTRUM	CVC 11
S3613	TurboPOWER 6000	235	CANISTER	273	SPECTRUM	CVC 11
S3625	Spirit	207	CANISTER	177	SPIRIT	CVC 15
S3629	Spirit	207	CANISTER	195	SPIRIT	CVC 15
S3631	Spirit	207	CANISTER	190	SPIRIT	CVC 15
S3633	Dimension	220	CANISTER	262	DIMENSION	CVC 8
S3635	Dimension	220	CANISTER	141	DIMENSION	CVC 3
U3321	Concept Two	10	UPRIGHT	185	CONCEPT ONE / TWO	UVC 1/3
U3339	Concept One	10	UPRIGHT	221	CONCEPT ONE / TWO	UVC 1/3
U3345-900	Concept One	10	UPRIGHT	221	CONCEPT ONE / TWO	UVC 1/3
U3721-910	Powermax	34	UPRIGHT	262	POWERMAX	UVC 22A1
U3725-930	Powermax	34	UPRIGHT	285	POWERMAX	UVC 22A1
U3903	Elite Tool	N/A	UPRIGHT	314	N/A	N/A
U4257-930	Sprint Upright	108	UPRIGHT	314	ELITE	UVC 12A
U4263-930	Elite II	108	UPRIGHT	277	ELITE	UVC 12A