



SEARS

Kenmore Vacuum Cleaner

OWNER'S MANUAL

**READ THIS MANUAL for important safety,
assembly and operating instructions.**

CØ1ZACR1ØUØØ-4369556A

CONTENTS

WARRANTY SERVICE	
IMPORTANT SAFETY INSTRUCTIONS	1
PARTS AND FEATURES	2
ASSEMBLY	3
USE	3
How to Start	3
Self-Propel Control	3
Pile Height Selection and Setting	4
Bare Floor Setting	4
Releasing the Handle	4
On/Off Selection	5
Using Attachments	5-7
Vacuuming Tips	8
Performance Features	8-9

VACUUM CARE	9
Vacuum Storage	9
Cleaning Exterior and Attachments	9
Bag Changing	10-11
Motor Safety Filter Cleaning	12
Exhaust Filter Cleaning	13
Belt Changing and Brush Cleaning	14-16
Clog Removal	17
Light Bulb Changing	18
Brush Servicing	19
Brush Assembly	19

TROUBLESHOOTING	20
------------------------	----

Proper assembly and safe use of your vacuum cleaner are your responsibilities. Your cleaner is intended only for household use. The cleaner should be stored in a dry, indoor area. Read this Owner's Manual carefully for important use and safety information.

WARRANTY

KENMORE VACUUM CLEANER FULL ONE-YEAR WARRANTY

When used for private household purposes, if within one year from the date of purchase, this vacuum cleaner fails due to a defect in material or workmanship, RETURN IT TO THE NEAREST SEARS SERVICE CENTER/DEPARTMENT IN THE UNITED STATES, and Sears will repair it free of charge.

If this vacuum cleaner is used for commercial or rental purposes, the above warranty coverage applies for only 90 days from the date of purchase.

This warranty gives you specific legal rights, and you may also have other rights which vary from state to state.

**SEARS, ROEBUCK AND CO., D/817 WA,
Hoffman Estates, IL 60179**

SERVICE

If you need service or parts, visit your nearest Sears Service Center or the Service Department located at most Sears Retail Stores. They will be able to solve your problem and supply any needed replacement parts. Any service needed other than described in this Owner's Manual should be done by a Sears authorized service representative.

How to Order Repair Parts

When requesting service or ordering parts, have the following information available:

1. Model number.
2. Serial number.
3. Description of problem.
4. Part number.
5. Name of part.

English Speaking:

To Call Toll Free For Service: (1-800-4-REPAIR)
(1-800-473-7247)

To Call Toll Free For Parts: (1-800-FON-PART)
(1-800-366-7278)

Spanish Speaking:

To Call Toll Free For Service: (1-800-626-5811)
To Call Toll Free For Parts: (1-800-659-7084)

IMPORTANT SAFETY INSTRUCTIONS



WARNING

To reduce the risk of fire, electrical shock, injury to persons or damage when using your vacuum cleaner, follow basic safety precautions including the following:

Read this manual before assembling or using your vacuum cleaner.

Use your cleaner only as described in this manual. Use only with Sears recommended attachments.

To reduce the risk of electrical shock – **Do not** use outdoors or on wet surfaces.

Disconnect electrical supply before servicing or cleaning out brush area. Failure to do so could result in electrical shock or brush suddenly starting.

Always turn cleaner off before unplugging.

Do not unplug by pulling on cord. To unplug, grasp the plug, not the cord.

Do not use with damaged cord or plug. If cleaner is not working as it should, has been dropped, damaged, left outdoors, or dropped into water, return it to a Sears Service Center/Department.

Do not pull or carry by cord, use cord as a handle, close door on cord, or pull cord around sharp edges or corners. Do not run cleaner over cord. Keep cord away from heated surfaces.

Do not leave cleaner when plugged in. Unplug from outlet when not in use and before servicing.

Do not allow to be used as a toy. Close attention is necessary when used by or near children.

Do not handle plug or cleaner with wet hands.

Do not put any objects into openings.

Do not use with any opening blocked; keep free of dust, lint, hair and anything that may reduce air flow.

Keep hair, loose clothing, fingers, and all parts of body away from openings and moving parts.

Do not use cleaner without dust bag in place. Always change the dust bag after vacuuming carpet cleaners or fresheners, powders and fine dust. These products clog the bag, reduce airflow and can cause the bag to burst. Failure to change bag could cause permanent damage to the cleaner.

Do not use the cleaner to pick up sharp hard objects, small toys, pins, paper, etc. They may damage the cleaner or dust bag.

Do not pick up anything that is burning or smoking, such as cigarettes, matches, or hot ashes.

Do not use cleaner to pick up flammable or combustible liquids (gasoline, cleaning fluids, perfumes, etc.), or use in areas where they may be present. The fumes from these substances can create a fire hazard or explosion.

Use extra care when cleaning on stairs. Do not put on chairs, tables, etc. Keep on floor.

You are responsible for making sure that your vacuum cleaner is not used by anyone unable to operate it properly.

SAVE THESE INSTRUCTIONS

Proper assembly and safe use of your vacuum cleaner are your responsibilities.

Your cleaner is intended only for household use.

Read this Owner's Manual carefully for important use and safety information.

PARTS AND FEATURES

It is important to know your vacuum cleaner parts and features to assure its proper and safe use. Review these before using your cleaner.

COPY YOUR MODEL AND SERIAL NUMBERS HERE.

Copy this information from the bottom of the vacuum cleaner into these spaces. Keep these numbers for future reference. If you need service or call with a question, have this information ready:

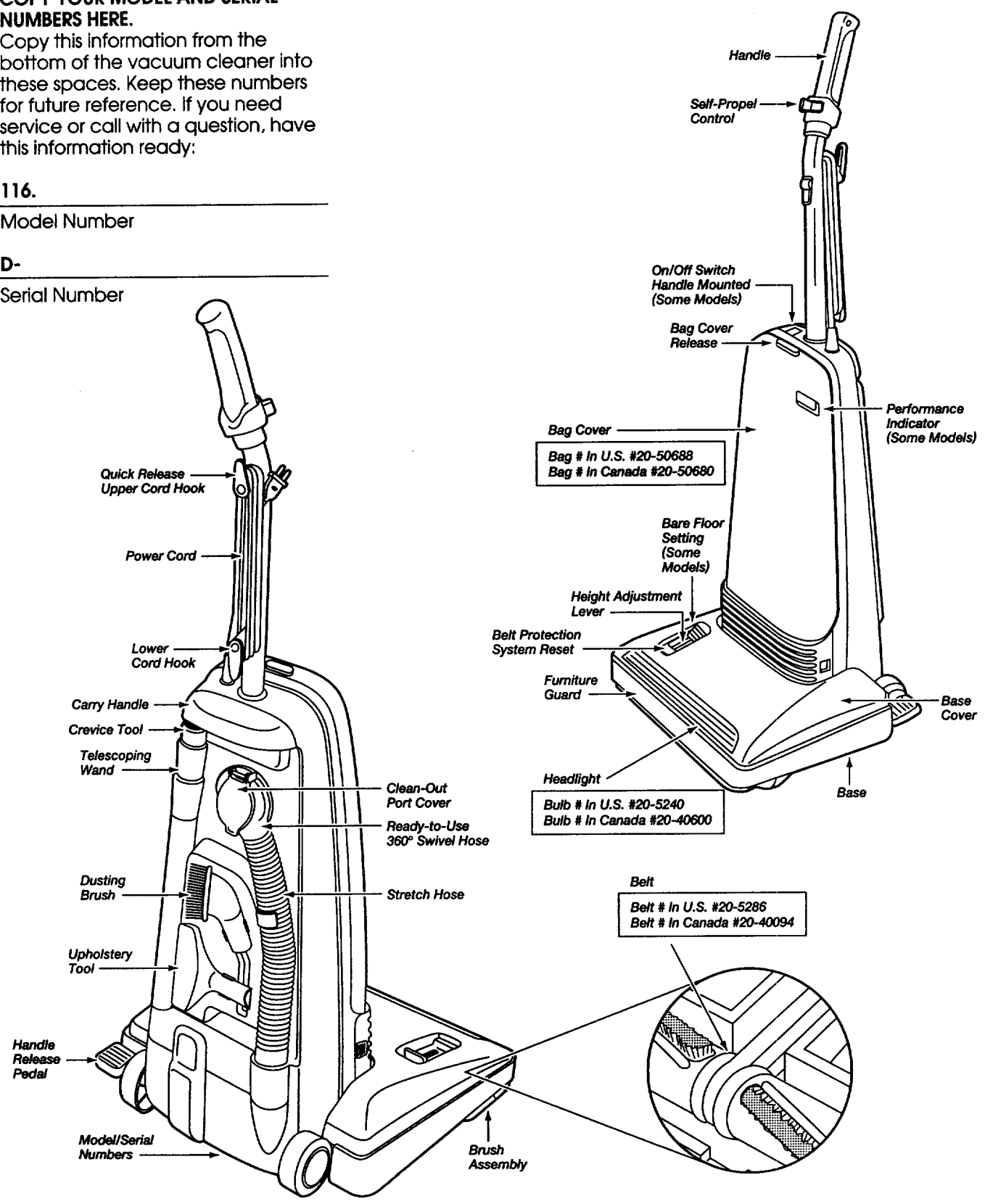
116. _____

Model Number _____

D- _____

Serial Number _____

SELF-PROPELLED UPRIGHT VACUUM CLEANER

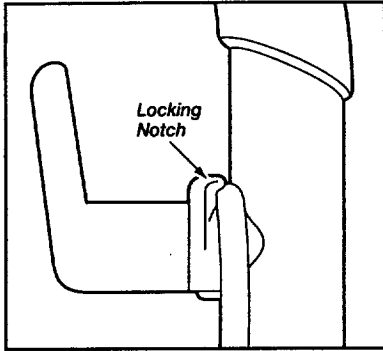


ASSEMBLY

This unit is fully assembled except for the power cord.

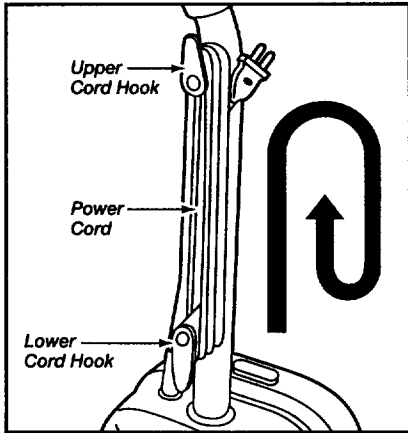
CORD ASSEMBLY

Make sure the quick release upper cord hook is in the upright position. Remove the wire tie from the power cord.



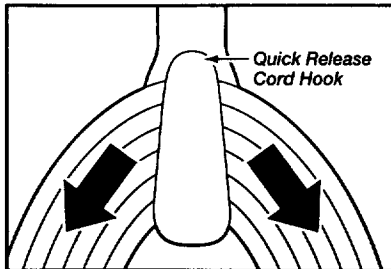
Lock the cord into place by forcing it into the locking notch on the body of the upper cord hook as shown. This helps keep the power cord out from under the vacuum cleaner brush assembly.

Wrap the power cord around the upper and lower cord hooks and clip the power cord plug onto the power cord.



USE

HOW TO START



1. Turn the quick release cord hook to either side and down to release the power cord.

2. Release the power cord plug from the power

cord and pull the cord off the upper cord hook. Check to be sure the power cord is still locked into the locking notch located on the upper cord hook.

3. Check to see if the cleaner has a bag installed (See page 10).

NOTE: To reduce the risk of electric shock, this vacuum cleaner has a polarized plug, (one blade is wider than the other). This plug will fit in a polarized outlet only one way. If the plug does not fit fully in the outlet, reverse the plug. If it still does not fit, contact a qualified electrician to install the proper outlet. Do not change the plug in any way.

4. Plug the polarized power cord into a 120-volt outlet located near the floor.



WARNING

Personal Injury and Product Damage Hazard

- **DO NOT plug in if switch is in ON position. Personal injury or damage could result.**
- **DO NOT use outlets above counters. Damage to items in surrounding area could occur.**

SELF-PROPEL CONTROL

The self-propel control has 2 positions: **DRIVE** for powered aid when vacuuming, and **LOCK** for neutral.

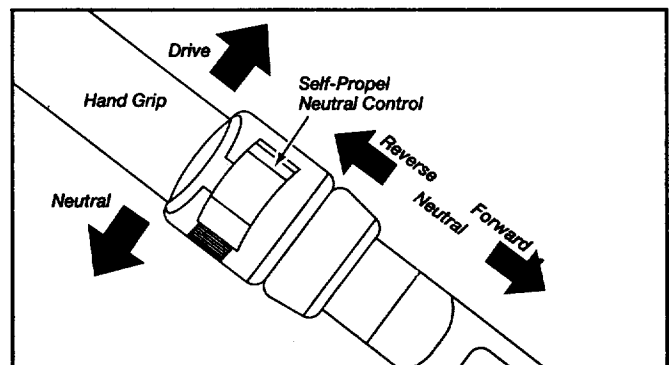
Use **DRIVE** to clean most carpeted floors.

Use **NEUTRAL** when self-propel is not desired, when tools are being used, when cleaning bare floors, and when cleaner is being moved, stored, or not in use.

NOTE: Self-Propel DRIVE will not work when "BARE FLOOR" setting is selected.

TO SELECT DRIVE:

Turn self-propel control to DRIVE.



TO SELECT NEUTRAL:

Turn the self-propel control to LOCK.

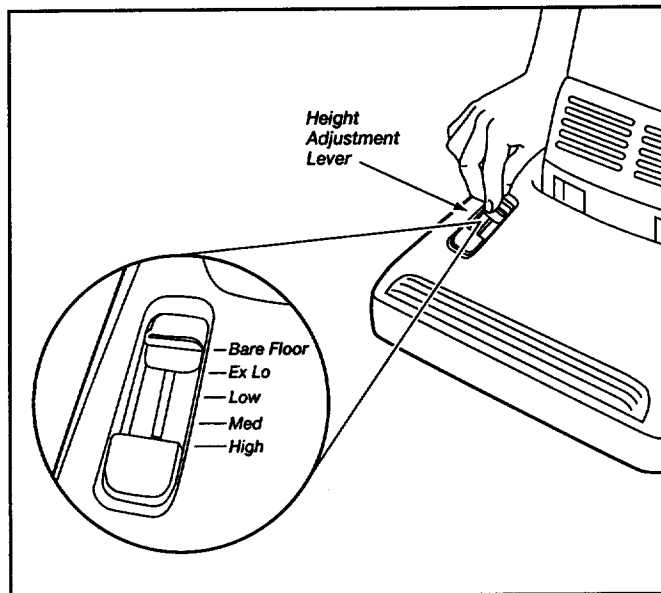
Move hand grip back and forth until it (hand grip) locks in place.

PILE HEIGHT SELECTION AND SETTING

To select a pile height setting:

Turn off the cleaner. Select a pile height setting by tilting the cleaner back until the front wheels are lifted slightly off the floor.

Slide the height adjustment lever to the correct setting.



SUGGESTED PILE HEIGHT SETTINGS

You may need to raise the height to make some jobs easier (such as scatter rugs and longer pile height carpets). Suggested settings are:

HIGH: shag carpet, long pile, plush, scatter rugs.

MED: medium to long pile.

LOW: short to medium pile.

EX LO: very low pile.



WARNING

Personal Injury Hazard

DO NOT place hands or feet underneath the unit when changing from the bare floor setting to the carpet pile height setting. The brush assembly begins to revolve rapidly when the vacuum is turned on and is switched to a carpet height setting.

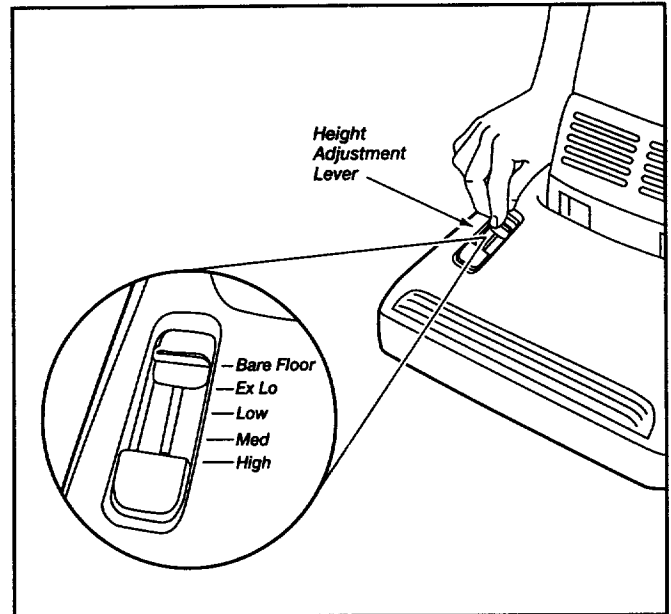
BARE FLOOR SETTING

To select the bare floor setting:

Turn off the cleaner.

Slide the height adjustment lever to the bare floor setting.

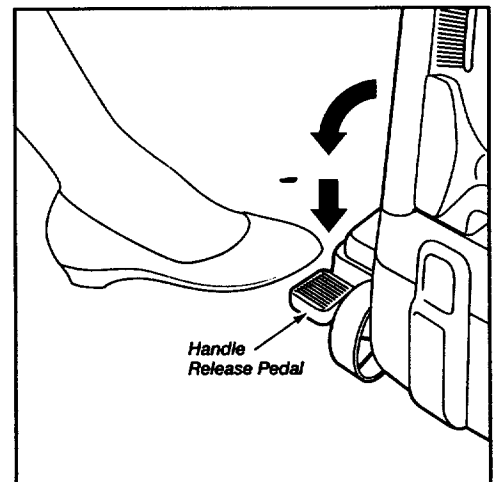
NOTE: Self-Propel DRIVE will not work when "BARE FLOOR" setting is selected.



In this position, the headlight is off and the brush assembly does not revolve. This setting is recommended for cleaning hardwood and tile floors.

RELEASING THE HANDLE

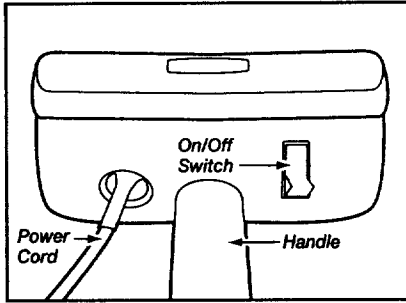
Release the handle by pressing down on the handle release pedal with your foot and pulling down on the handle with your hand.



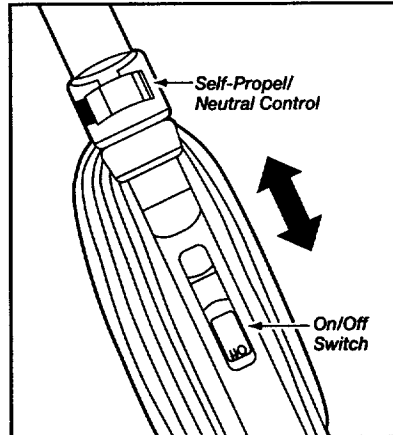
ON/OFF LEVEL SELECTION

ON/OFF SWITCH BODY MOUNTED (SOME MODELS)

To start the vacuum cleaner, put the switch on the top of the body in the ON position. To stop the vacuum cleaner, put the switch in the OFF position.



HANDLE MOUNTED (SOME MODELS)

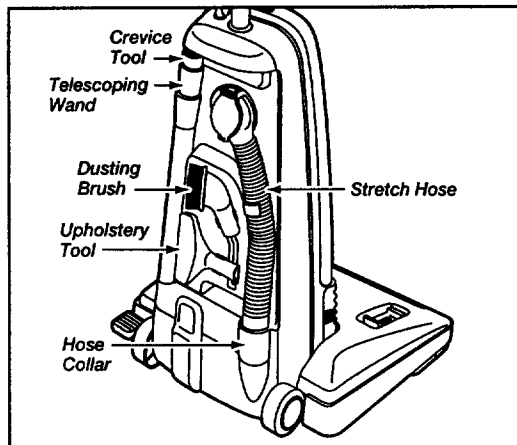


To start the vacuum cleaner, slide the On/Off Switch to the ON position. Use the OFF position when leaving or storing the cleaner.

To stop the vacuum, slide the On/Off Switch to the OFF position.

USING ATTACHMENTS

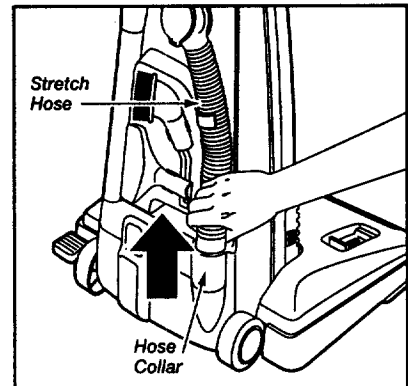
Identify each of the attachments shown below.



TO USE ATTACHMENTS:

Remove the lower end of the stretch hose from the cleaner by grasping the hose collar, twisting and pulling straight up.

NOTE: Brush assembly stops revolving and the headlight goes off when hose is removed.



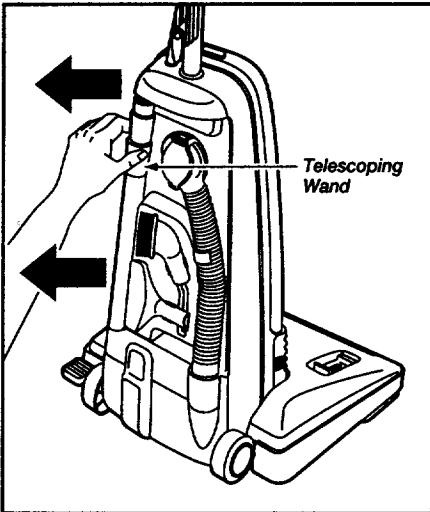
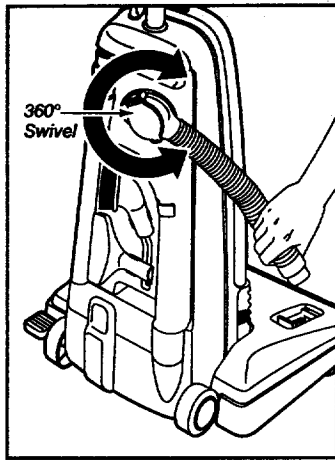
WARNING

Personal Injury Hazard

Always unplug vacuum before placing hands near brush assembly as brush may suddenly restart. Failure to do so could result in injury.

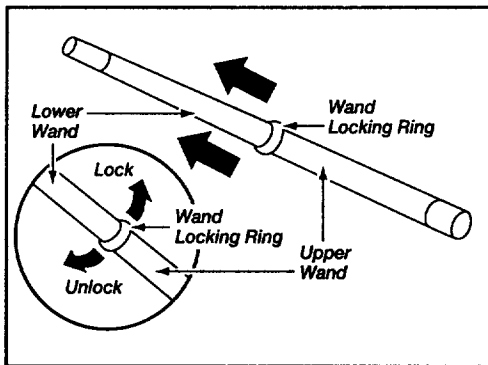
The attached hose end swivels 360 degrees to make cleaning easier in every direction.

Remove the telescoping wand from its storage position.

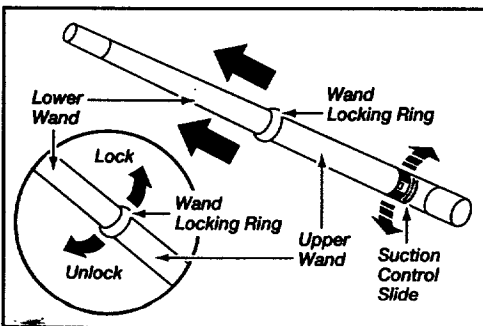


Remove the crevice tool from its storage position in the wand. Turn the locking ring to the **UNLOCK** position.

Extend the wand to its full length. Turn the wand locking ring to the **LOCK** position.



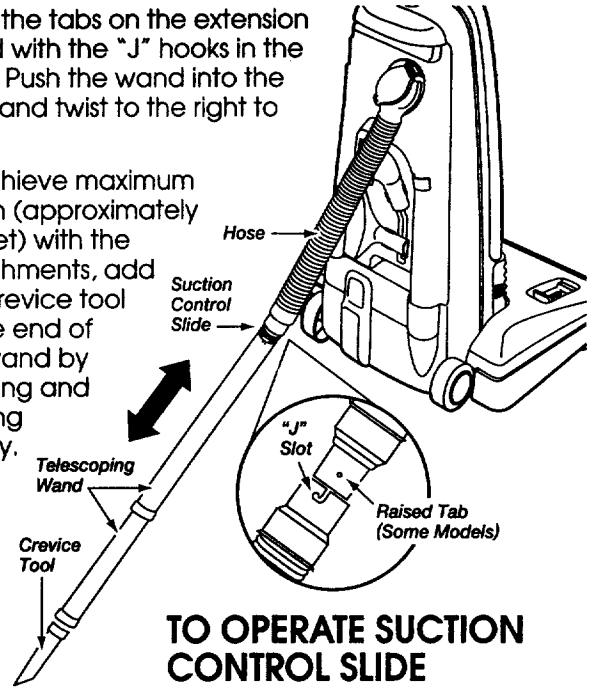
OPTIONAL WAND WITH SUCTION CONTROL



Attach the extension wand onto the open end of the hose.

Align the tabs on the extension wand with the "J" hooks in the hose. Push the wand into the hose and twist to the right to lock.

To achieve maximum reach (approximately 10 feet) with the attachments, add the crevice tool to the end of the wand by inserting and twisting slightly.




TO OPERATE SUCTION CONTROL SLIDE (Telescoping Wand)

When using attachments for cleaning draperies, small rugs with low pile and other delicate items, twist the Suction Control Lever to the open position. This lever is located on the Telescoping Wand, close to the hose.

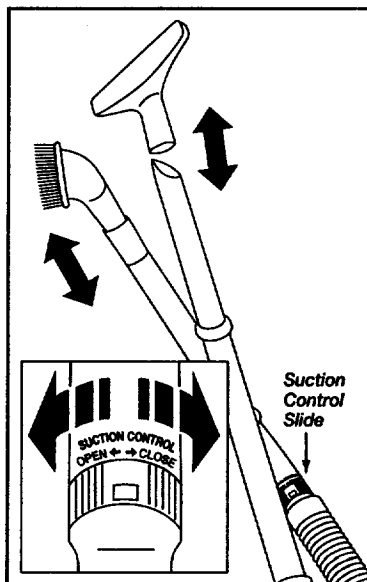
This will reduce suction for ease of cleaning.

CAUTION - Return Suction Control Lever to the closed position for normal cleaning.



CAUTION

When using attachments, be careful not to overextend the stretch hose when reaching. Trying to reach beyond the hose stretch capability could cause the cleaner to tip over.



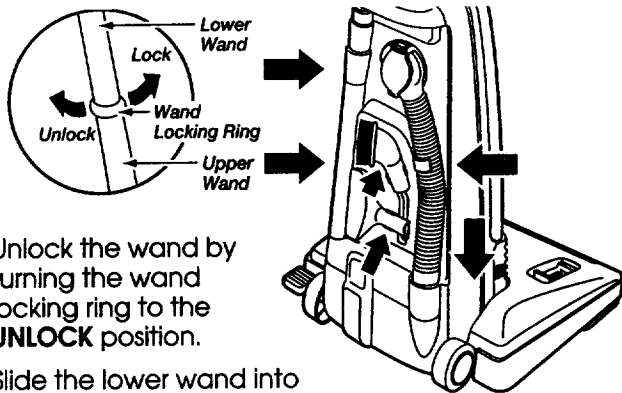
When using the dusting brush or the upholstery tool, they may be attached directly to the wand or placed on the end of the crevice tool.

TO STORE ATTACHMENTS:

Remove dusting brush or upholstery tool. Snap into appropriate storage location.

Remove crevice tool from the wand by twisting. Lay aside.

Remove the extension wand from the hose. Twist the wand to the left and pull from the hose end.



Unlock the wand by turning the wand locking ring to the **UNLOCK** position.

Slide the lower wand into the upper wand. Turn the wand locking ring to the **LOCK** position.

Place the crevice tool down into the compressed wand.

Snap into the appropriate storage location.

Be sure the unit is turned off. Reinsert the hose fully into the opening on the lower body from which it was removed.

Press firmly to assure connection.

NOTE: Brush assembly will not turn if hose is not fully inserted.

WARNING

Personal Injury Hazard

DO NOT place hands or feet underneath the unit when inserting the hose. The brush assembly begins to revolve rapidly when the vacuum is turned on and is switched to a carpet height setting.

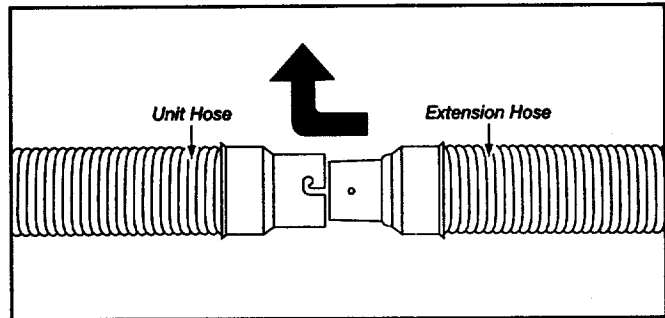


CAUTION

DO NOT pull the vacuum cleaner around the room by the hose. Property damage could result.

EXTENSION HOSE NOT INCLUDED IN ALL MODELS

The stretch hose attached to the vacuum cleaner has two "J" shaped slots in the end where attachments fit into.



The extension hose has two tabs on the end that can be pushed into the slots and twisted to attach the two hoses together.

Attachments and the telescoping wand can be attached to the other end of the extension hose for additional reach.




If your model did not come with an extension hose, one can be purchased at any SEARS retail store under part number 20-52571.



CAUTION

When using the regular hose or with the extension hose attached, the cleaner should be on a solid surface on the same level or below the level of the user's feet. **DO NOT** use the hoses when the cleaner is above the level of the user's feet.

ATTACHMENT USE CHART

ATTACHMENT	CLEANING AREA				
	Furniture*	Between Cushions*	Drapes*	Stairs	Walls
DUSTING BRUSH 	X		X		X
CREVICE TOOL 	X	X		X	
FABRIC BRUSH 	X		X	X	

*Always clean attachments before using on fabrics.

VACUUMING TIPS

Carpet edges.

Guide either side or the front of the nozzle along a baseboard. The full length brushes help remove trapped dirt at carpet edges.

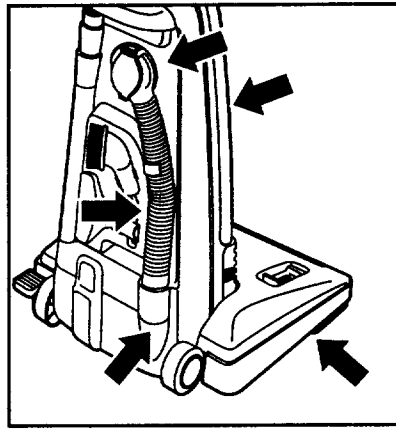
Stairs.

Put handle in full upright position. Use the crevice tool or fabric brush. Set the On/Off Switch to HI.

WARNING

Personal Injury Hazard

Use care if vacuum cleaner is placed on stairs. If it falls, personal injury or property damage could result.



For best cleaning results, keep the airflow passage clear.

Occasionally, check each of the areas indicated for clogs.

Unplug the cleaner from the outlet before checking.

CAUTION

When using the regular hose or with the extension hose attached, the cleaner should be on a solid surface, such as the floor, on the same level or below the level of the user's feet. Do NOT use the hoses when the cleaner is above the level of the user's feet.

PERFORMANCE FEATURES

WARNING

Personal Injury Hazard

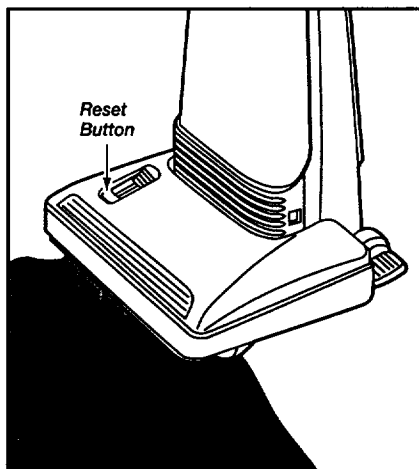
Always unplug the vacuum cleaner before cleaning the brush area as brush may suddenly restart. Failure to do so can result in personal injury.

BELT PROTECTION SYSTEM

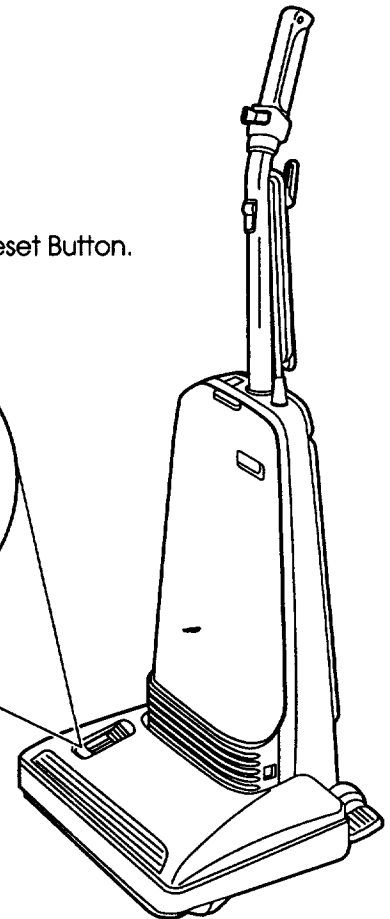
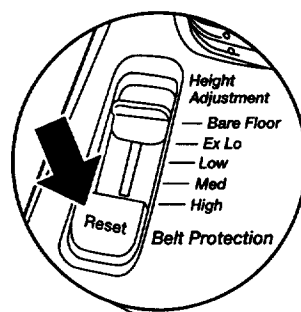
The cleaner has built-in protection against motor and belt damage should the brush jam. When an object slows down or stops the brush roll, the Belt Protection Reset Button pops up, the brush roll stops and the headlight goes off.

The suction motor will continue to run.

To correct problem: See the Troubleshooting chart on page 20.



To reset: Push in the Reset Button.

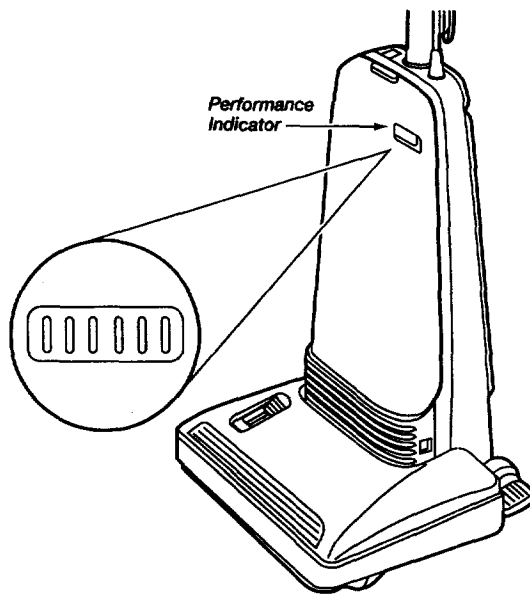


PERFORMANCE INDICATOR (SOME MODELS)

When the unit is running with normal air flow, the lines on the performance indicator are white. Red lines appear in the performance indicator whenever the airflow becomes blocked. If that occurs, check the disposable dust bag, motor safety filter and other possible clog locations shown on page 17.

NOTE: Red lines may appear when using attachments, due to reduced air flow through the attachment.

To correct problem: See the Troubleshooting chart on page 20.



VACUUM CARE

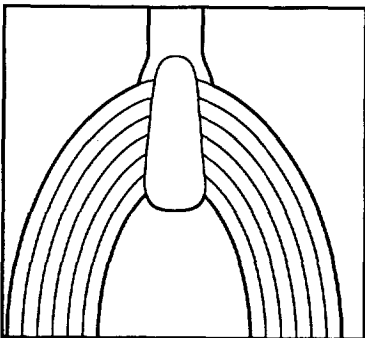
Always follow all safety precautions when cleaning and servicing the vacuum cleaner.

WARNING

Electrical Shock And Personal Injury Hazard
Disconnect electrical supply before servicing or cleaning the unit. Failure to do so could result in electrical shock or personal injury from cleaner suddenly starting.

VACUUM STORAGE

Gather the cord and wrap it loosely around the upper and lower cord hooks.



Store the cleaner in a dry, indoor area, on the floor with the handle locked in the upright position.

WARNING

Electrical Shock And Personal Injury Hazard
Wrapping the cord too tightly puts stress on the cord and can cause cord damage. A damaged cord is an electrical shock hazard and could cause personal injury or damage.

CLEANING EXTERIOR AND ATTACHMENTS

Unplug cord from wall outlet. **DO NOT drip water on cleaner.**

Clean exterior using a clean, soft cloth that has been dipped in a solution of mild liquid detergent and water, then wrung dry. Wipe dry after cleaning.

To reduce static electricity and dust build-up, wipe outer surface of cleaner and attachments.

Wash attachments in warm soapy water, rinse and air dry. **Do not clean in dishwasher.**

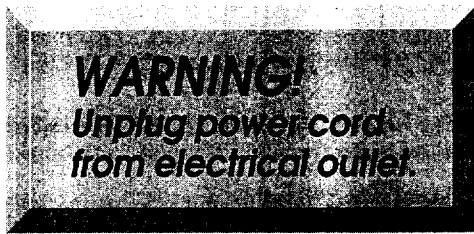
DO NOT USE ATTACHMENTS IF THEY ARE WET.

CAUTION

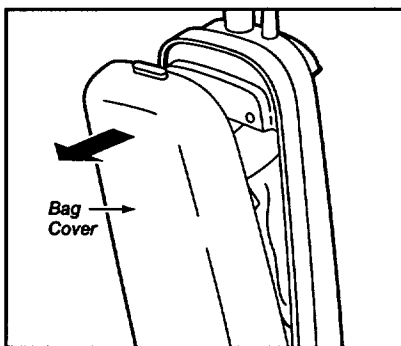
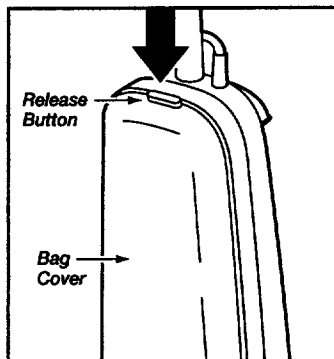
Attachments used in dirty areas (under a refrigerator) should not be used on other surfaces until they are washed. They could leave marks.

BAG CHANGING

TO REMOVE BAG:



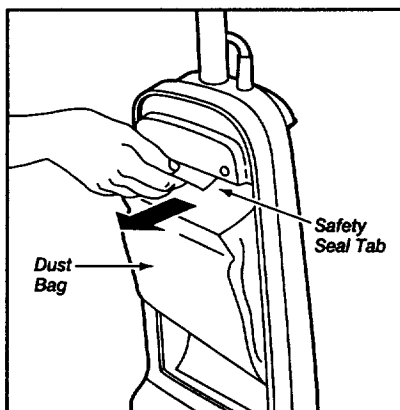
Press the Release Button located on the top of the bag cover.



Pull the bag cover forward. Remove and lay aside.

Grasp the bag safety seal tab and pull gently, carefully removing the dust bag.

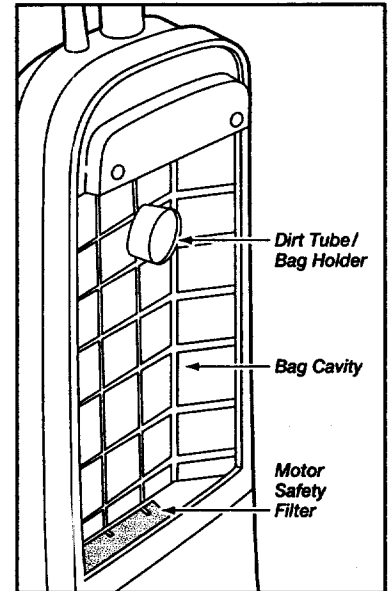
Throw away the used dust bag.
Do not reuse.



CAUTION

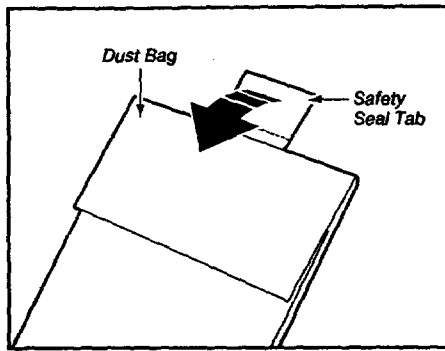
NEVER REUSE A DUST BAG. Very fine materials, such as carpet fresheners, face powder, fine dust, plaster, soot, etc. can clog the bag and cause it to burst before it is full. Change bag more often when vacuuming these materials.

Check the dirt tube and the motor safety filter. If either is blocked, check the Troubleshooting chart on page 20.




TO REPLACE BAG:

Fold the safety seal tab on the new dust bag away from the opening that fits on the dirt tube.



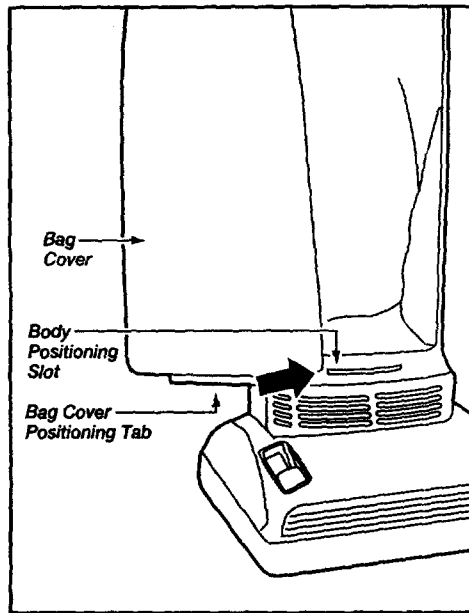
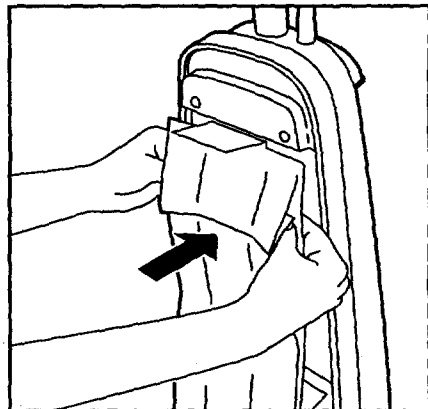
(NOTE: See page 2 for Bag #.)

 **CAUTION**

NEVER REUSE A DUST BAG. Very fine materials, such as carpet fresheners, face powder, fine dust, plaster, soot, etc. can clog the bag and cause it to burst before it is full. Change bag more often when vacuuming these materials.

Insert the dust bag onto the dirt tube completely by holding the bag collar.

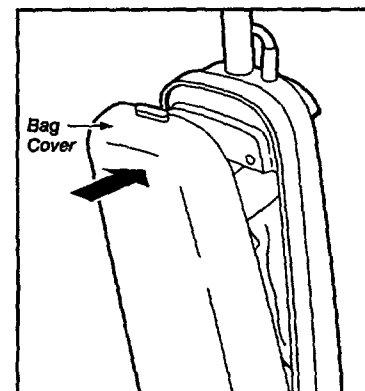
Snap the dust bag collar into position.



Be sure bottom of dust bag is completely within bag cavity prior to replacing the bag cover.

Position the bag cover so its positioning tab fits into the body positioning tab slot.

Close the bag cover. You will hear a distinct snap when cover is securely closed.

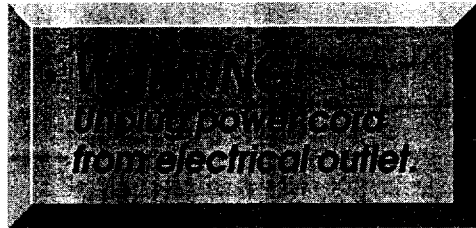


MOTOR SAFETY FILTER CLEANING

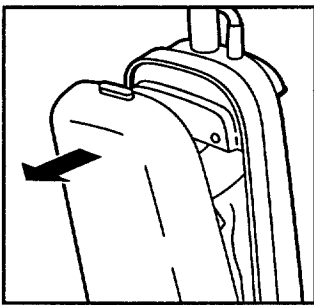
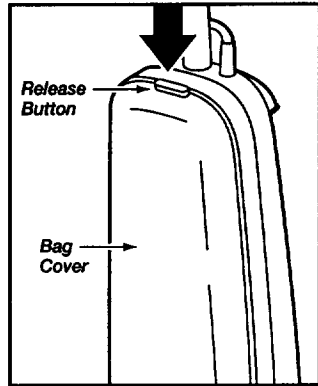
Check motor safety filter occasionally and clean when dirty.

⚠ WARNING

Electrical Shock Hazard
 Do not operate the cleaner without the motor safety filter. Be sure the filter is dry and properly installed to prevent motor failure and/or electrical shock.

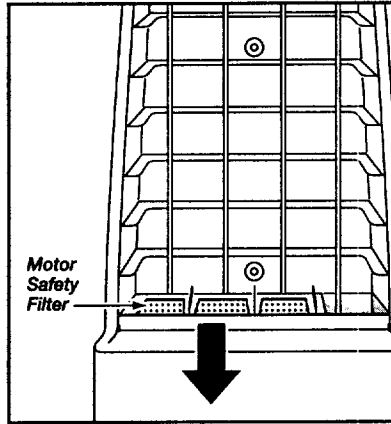
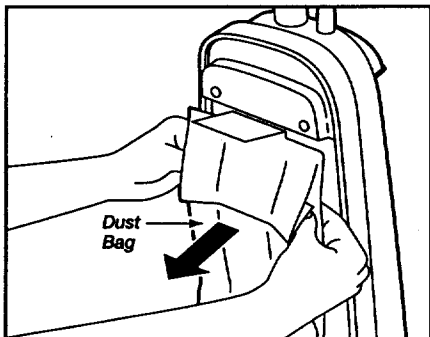


Press the release button located on the top of the bag cover.



Pull the bag cover forward. Remove and lay aside.

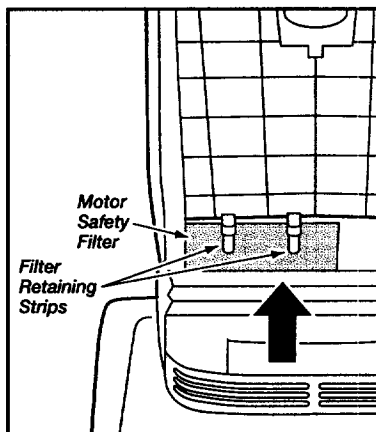
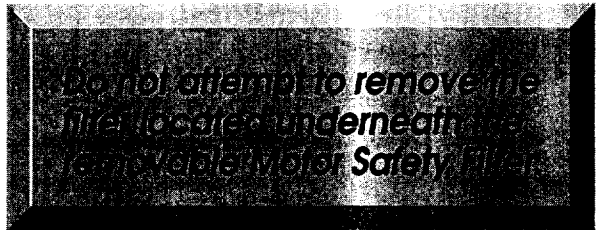
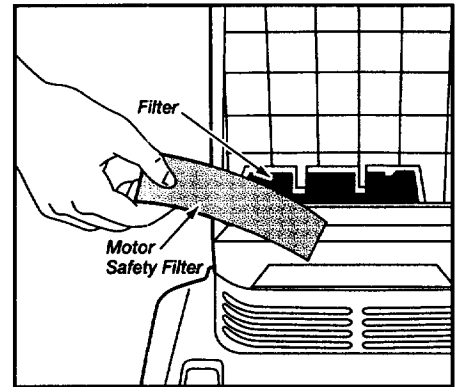
Grasp the dust bag collar and pull gently, carefully removing the dust bag.



If the foam Motor Safety Filter located at the base of the bag cavity is dirty, remove it by pulling forward.

Check the filter located below the foam filter.

If it is dirty, wipe it with a clean, dry cloth.



Wash the foam Motor Safety Filter in warm soapy water, rinse and dry.

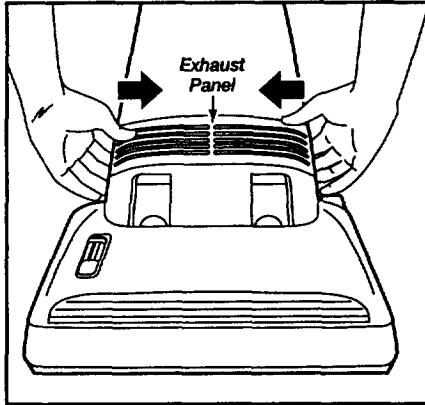
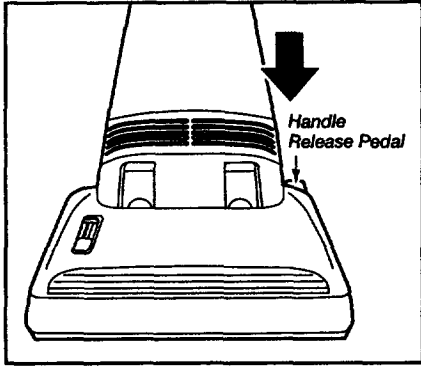
Do not clean in the dishwasher. Do not install while damp.

Replace the foam Motor Safety Filter by sliding in underneath the filter retaining strips.

To replace bag see page 11.

EXHAUST FILTER CLEANING

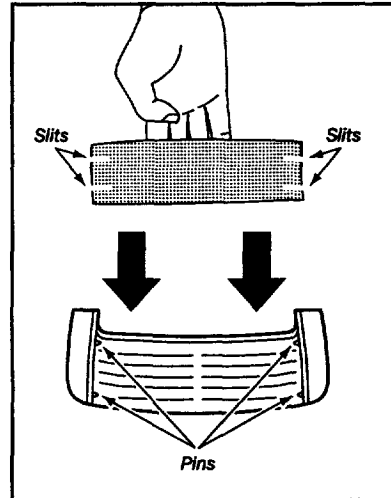
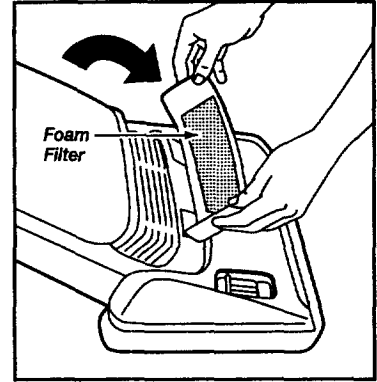
Press the handle release pedal to let the upper portion of the cleaner lay back against the floor.



Grasp the air exhaust panel with a hand on each side, press inward and pull the panel forward.

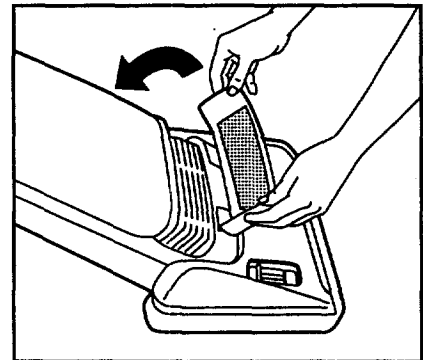
Lift the foam filter to remove. Wash the foam filter, rinse and dry.

Do not clean in the dishwasher.
Do not install while damp.



Replace the dry foam filter, carefully positioning it so the slits fit around the four raised pins.

Replace the exhaust panel.
Return the cleaner to the upright position.



BELT CHANGING AND BRUSH CLEANING



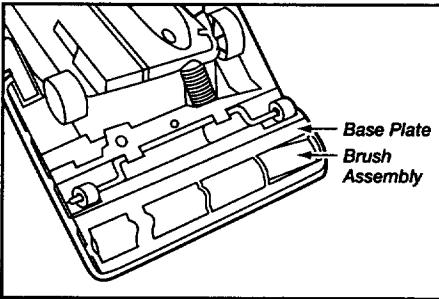
WARNING

Electrical Shock Or Personal Injury Hazard
Disconnect electrical supply before servicing or cleaning the unit. Failure to do so could result in electrical shock or personal injury from cleaner suddenly starting.

Frequently check and remove hair, string and lint build-up in the brush area. If build-up becomes excessive, follow the steps below:

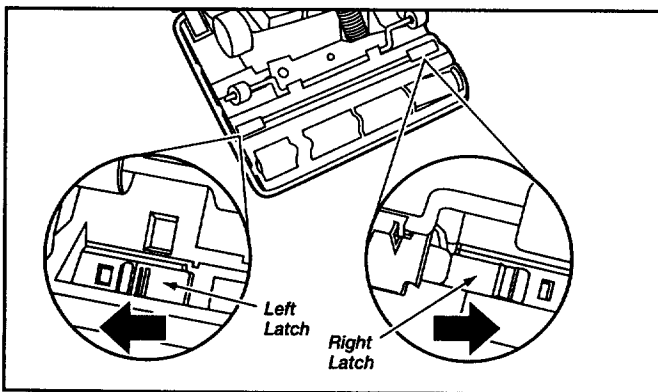
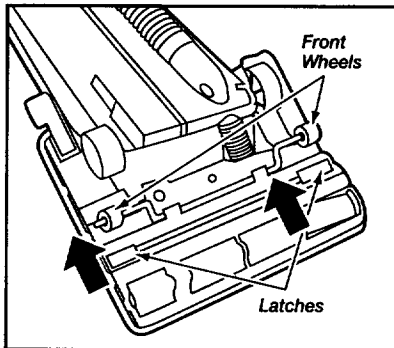
TO REMOVE BELT:

Disconnect power cord from electrical outlet.
Lower the handle completely.



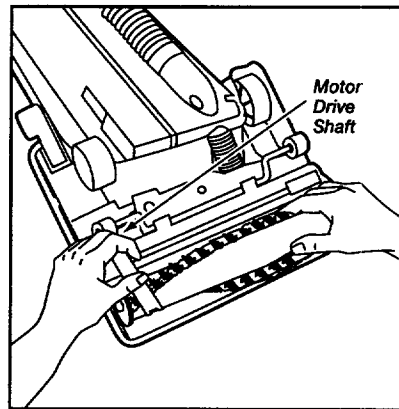
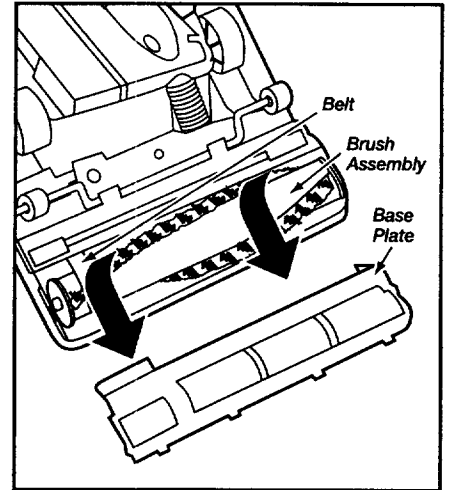
Turn the unit over so the brush assembly and base plate are facing upward.

Lift the front wheels to gain easy access to the two latches. Locate the two latches which secure the base plate.



To unlock the base plate, slide the left latch to the left and the right latch to the right.

Lift the base plate to uncover the brush assembly and belt.



Position hands on the brush assembly. If the belt is still attached to the roller there will be tension on the brush assembly. If belt is not broken remove it from the motor drive shaft before lifting the brush assembly.

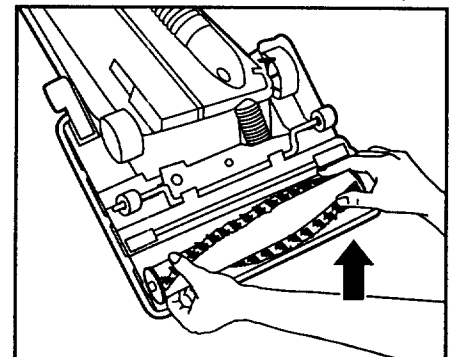


WARNING

Personal Injury Hazard
Be careful when removing brush assembly, the belt tension is high. Failure to do so could result in personal injury from brush assembly releasing quickly and snapping away.

Carefully lift the right end of the brush assembly and then lift the left end.

Carefully remove the end cap and washer from each end and lay them aside. See exploded view.



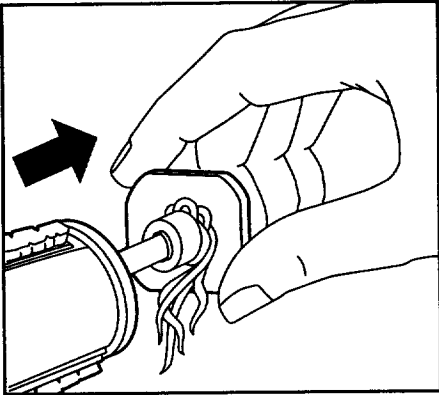
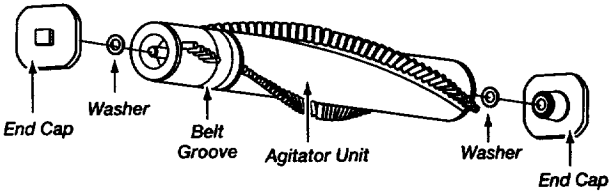


CAUTION

When you remove the end caps, a small metal washer on each end may come off. DO NOT lose these two metal washers.

Remove any dirt or debris in the belt path area or in the brush roller area.

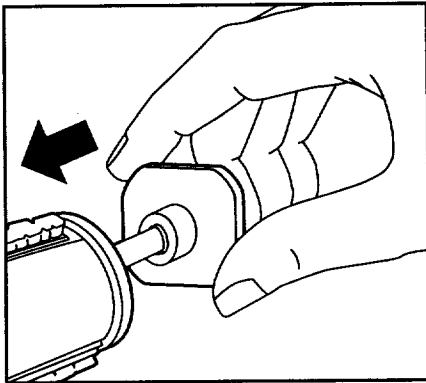
Exploded View - Brush Assembly



Carefully remove the brush end caps and metal washers to check for string and hair build-up. Remove any string or debris.

IMPORTANT

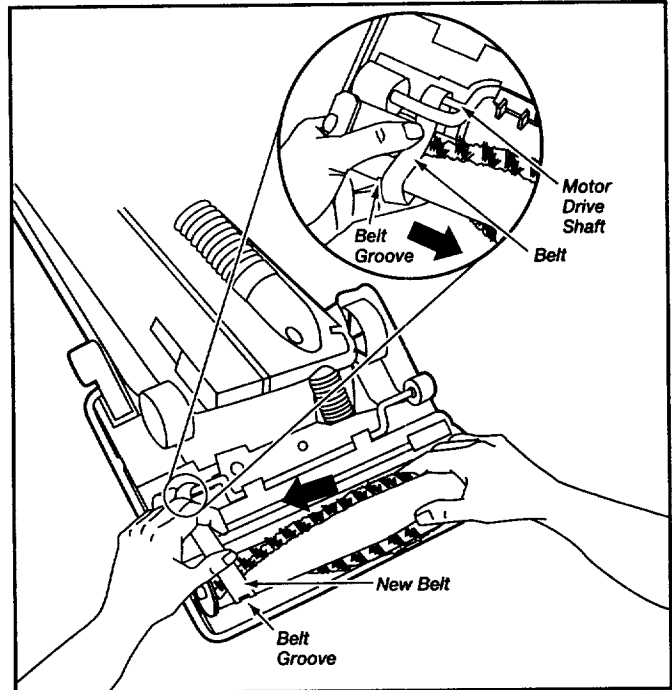
Replace the washers and then the end caps. See exploded view for correct assembly.



TO REPLACE BELT:

Loop the end of the new belt on the brush assembly.

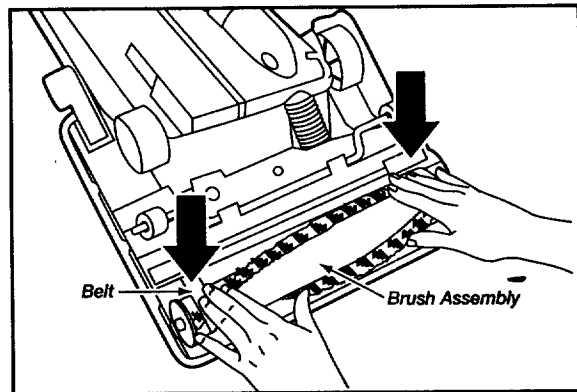
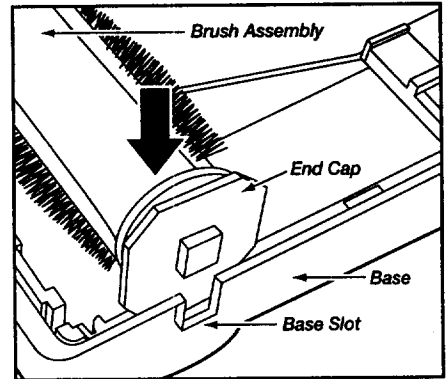
(NOTE: See page 2 for Belt #.)



Loop the new belt on the motor drive shaft.

Align the square extension on each end cap with the slots in the frame of the base.

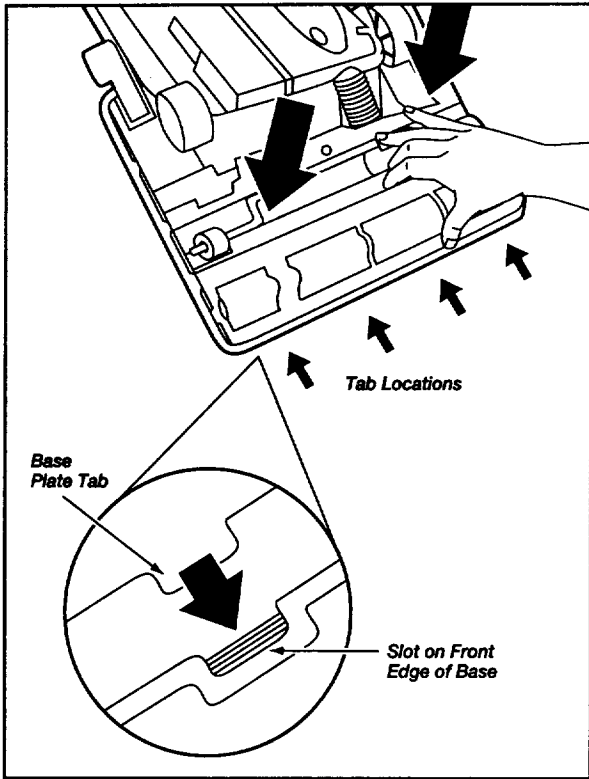
NOTE: Care must be taken due to the belt tension during reassembly.



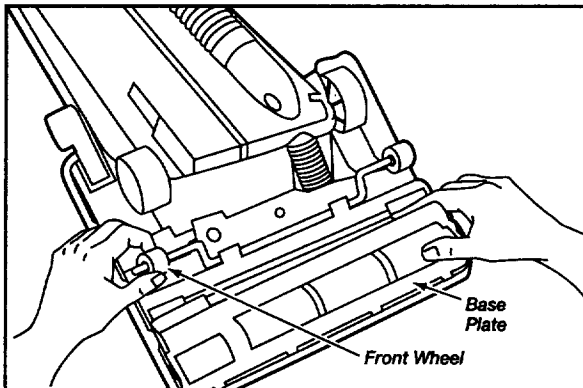
Press firmly, checking to see that each end is completely inserted.

Check to see that the belt is centered in the belt groove. Turn the brush assembly with your fingers to see that it turns freely.

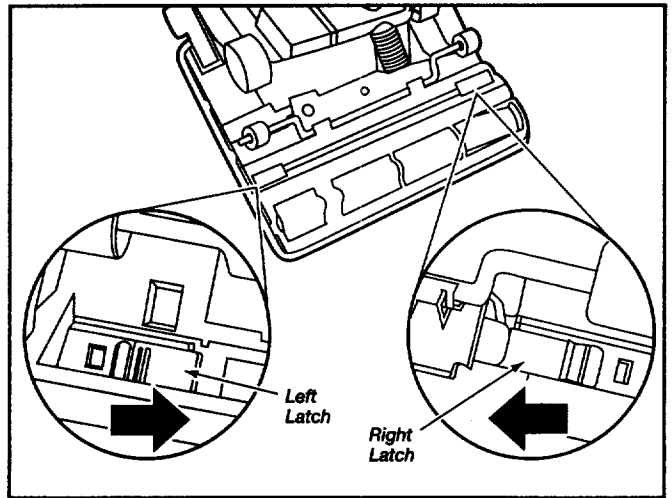
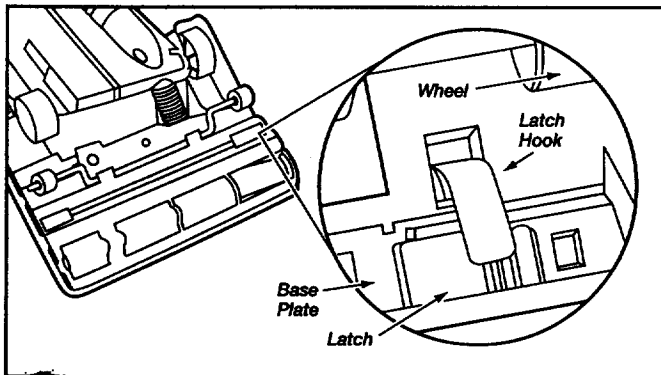
To re-attach the base plate, insert the four tabs into the four slots along the front edge of the base. Lower the base plate to its original position.



As the base plate is lowered, the left side will brush against the front wheel.

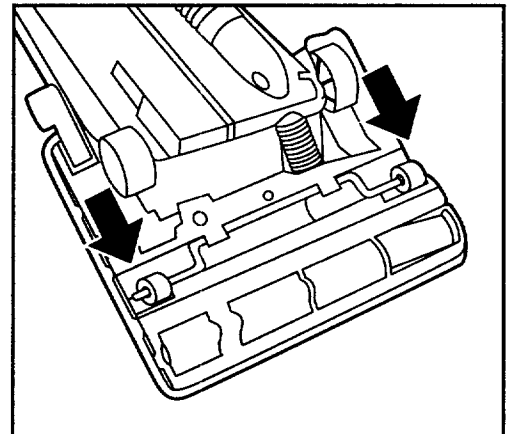


On the right side, lift the latch hook slightly to place the base plate into position. The base plate will not close unless the base plate is under the latch hook.



Slide latches toward the center of the unit to secure.

Reposition the front wheels forward into the operating position.



Return the cleaner to the upright position before plugging into the electrical outlet.

CLOG REMOVAL

Always follow all safety precautions when cleaning and servicing the vacuum cleaner.

WARNING

Electrical Shock Or Personal Injury Hazard
Disconnect electrical supply before servicing or cleaning the unit. Failure to do so could result in electrical shock or personal injury from cleaner suddenly starting.

If the cleaner does not seem to have adequate suction or self-propelled function will not work, first check for a full bag or filter which is clogged. See Instructions on Bag Changing on page 10 and Filter Cleaning on pages 12 and 13.

If the bag and filter areas are free of clogs, check the hose area. Remove the lower end of the stretch

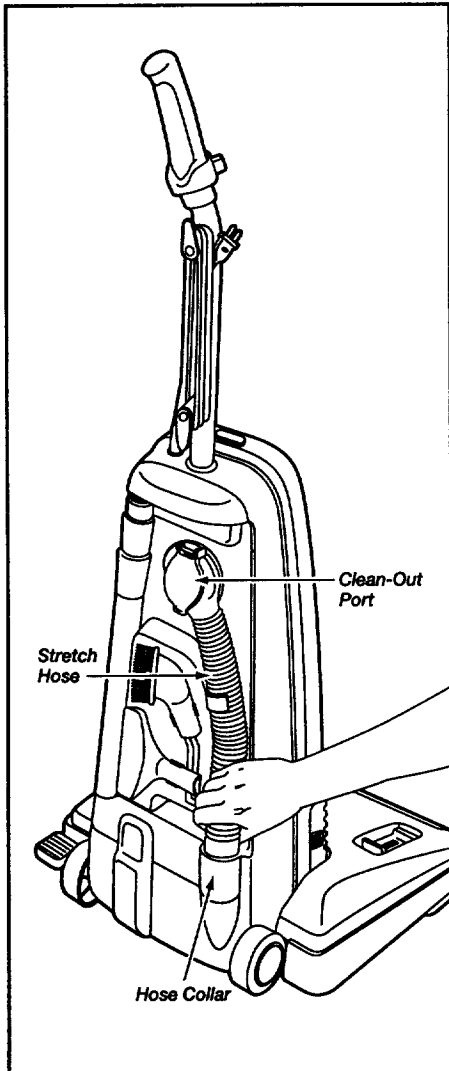
hose from the cleaner by grasping the hose collar and pulling straight up.

Plug in the vacuum and turn it on. Alternately open and shut the clean-out port cover. Stretch the hose to maximum length and then allow the hose to return to its storage length.

Turn the unit off and unplug the unit.

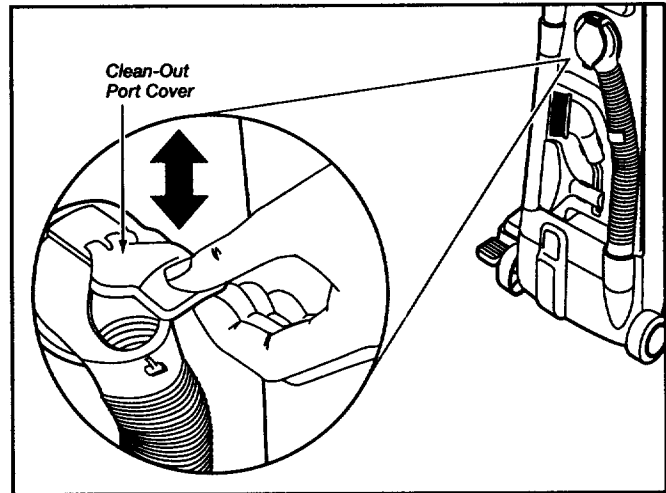
Visually inspect the clean-out port area and the base area into which the hose is inserted.

Remove visible clog.



Close clean-out port cover firmly to insure seal.

Re-insert the hose into the opening on the lower body from which it was removed. Press firmly to assure connection.



NOTE: Brush assembly will not turn if the hose is not fully inserted.

WARNING

Personal Injury Hazard

DO NOT place hands or feet underneath the unit when inserting the hose. The brush assembly begins to revolve rapidly when the vacuum is turned on and is switched to a carpet height setting.

If the bag and filter areas and the hose areas are free of clogs, check the nozzle area. To check this area, see the section on Belt Changing and Brush Cleaning on pages 14-16.

Return the cleaner to the upright position before plugging into the electrical outlet.

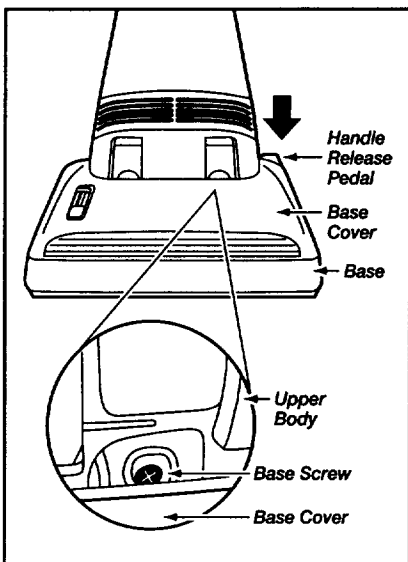
LIGHT BULB CHANGING



WARNING

Electrical Shock Or Personal Injury Hazard
 Disconnect electrical supply before servicing or cleaning the unit. Failure to do so could result in electrical shock or personal injury from cleaner suddenly starting.

Disconnect the power cord from the electrical outlet.



Press the handle release pedal to let the upper portion of the cleaner lay back against the floor.

Locate the base screw which attaches the base cover to the base.

Remove the base screw.



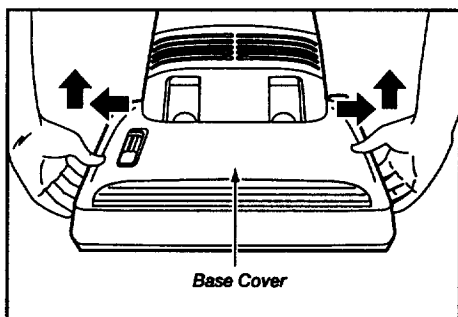
CAUTION

Do not remove the two screws on the upper body which are located to the left and right of the base screw.

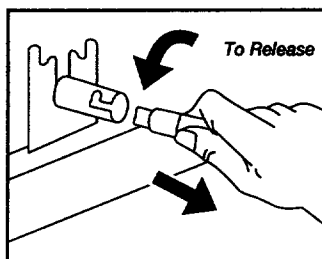
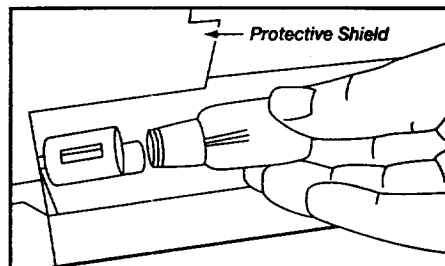
Place hands on the sides of the base cover so that your fingers extend to grasp the lower edge of the base cover.

Gently pull the base cover away from the base and lift up.

Lay the base cover aside.



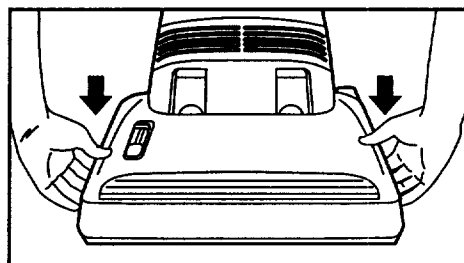
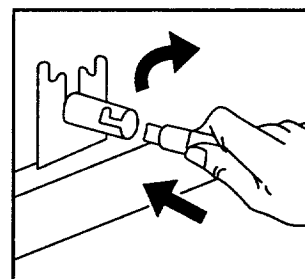
Lift the protective shield. To release the light bulb, carefully push the bulb in and turn to the left.



Pull the light bulb to remove.

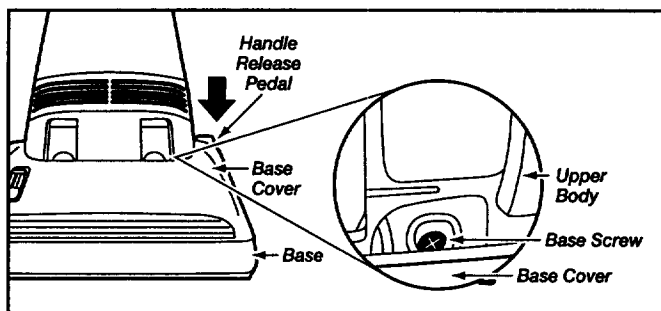
To replace the light bulb carefully insert and turn it to the right.

(NOTE: See page 2 for Bulb #.)



Replace the base cover over the base. Press down firmly so the cover snaps onto the base.

Replace the base screw.



CAUTION

Do not operate the cleaner without the screw in place. Do not overtighten. Overtightening could strip the screw hole.

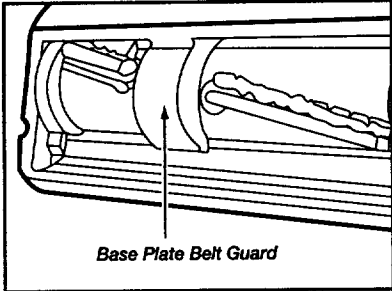
BRUSH SERVICING



WARNING

Electrical Shock Or Personal Injury Hazard
Disconnect electrical supply before servicing or cleaning the unit. Failure to do so can result in electrical shock or personal injury from cleaner suddenly starting.

TO CHECK BRUSH:



When brushes are worn to the level of the base plate belt guard or when the back-up beater bar is chipped or gouged, replace the brushes.

TO REPLACE BRUSH:

Remove the base plate and brush assembly. See Belt Changing section on page 14.

Remove the brush supports and washers.

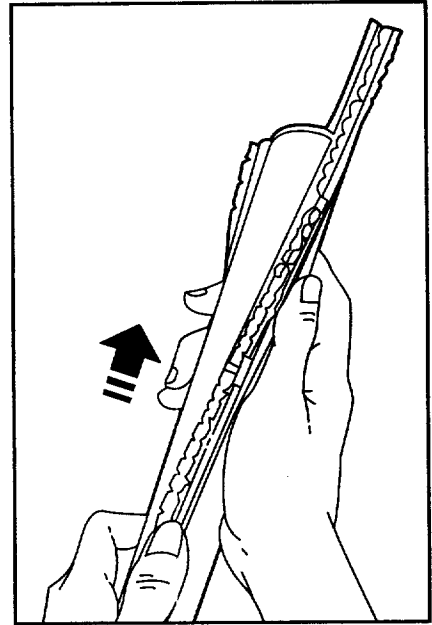
Push out worn brushes and end brushes.

Slide the new brushes and end brushes into the slots. Make sure not to reverse the brush and backup beater bar position. (See Brush Assembly drawing below.)

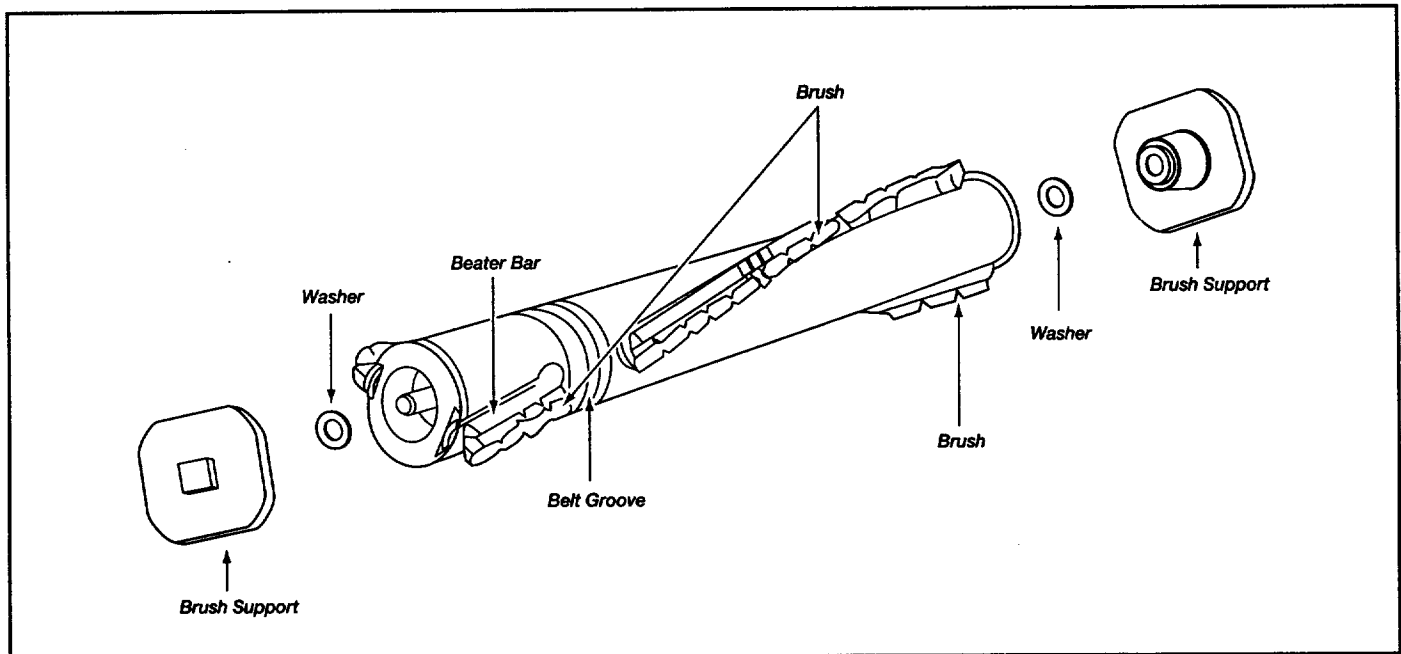
Replace the washers and brush supports.

NOTE: New brushes and end brushes may be easier to install if they are soaked in warm water for a few minutes before sliding them into the slots. Do not use oil. Dry thoroughly before reinstalling.

Reassemble the belt, brush assembly and base plate. See instructions for replacing belt in Belt Changing section which begins on page 14.



BRUSH ASSEMBLY



TROUBLESHOOTING

Review this chart to find do-it-yourself solutions for minor performance problems.



WARNING

Electrical Shock Hazard

Disconnect electrical supply before servicing or cleaning the unit. Failure to do so could result in electrical shock or personal injury.

PROBLEM	POSSIBLE CAUSE	POSSIBLE SOLUTION
Cleaner won't run.	<ol style="list-style-type: none"> 1. Unplugged at wall outlet. 2. Tripped circuit breaker/blown fuse at household service panel. 3. On/Off switch not turned ON. 4. Tripped thermostat on suction motor. (Brush and light still work). 	<ol style="list-style-type: none"> 1. Plug in firmly, push On/Off switch to ON. 2. Reset circuit breaker or replace fuse 3. Push On/Off switch to ON. 4. Allow cleaner to cool down for 20-30 minutes. Check for full bag, clogged filter, nozzle.
Poor job of dirt pick-up.	<ol style="list-style-type: none"> 1. Full or clogged dust bag 2. Wrong pile height setting. 3. Worn brush. 4. Clogged nozzle. 5. Clogged dirt tube. 6. Hole in hose. 7. Broken belt. 8. Hose not inserted fully. 9. Tripped Belt Protection System. 10. Dirty Motor Safety Filter. 	<ol style="list-style-type: none"> 1. Change bag, (page 10-11). 2. Adjust setting, (page 4). 3. Replace brush, (page 19). 4. Clean nozzle area, (page 17). 5. Clean dirt tube, (page 17). 6. Replace hose. 7. Replace belt, (page 14-15). 8. Insert hose fully, (page 7). 9. Check for clogs, (page 17). 10. Clean filter, (page 12-13).
Cleaner picks up moveable rugs or pushes too hard.	<ol style="list-style-type: none"> 1. Wrong pile height setting. 	<ol style="list-style-type: none"> 1. Adjust setting, (page 4).
Light won't work.	<ol style="list-style-type: none"> 1. Burned out light bulb. 2. Attachment hose not properly inserted into base at rear. 3. Height Adjustment Lever in Bare Floor Setting. 4. Tripped Belt Protection System 	<ol style="list-style-type: none"> 1. Change light bulb, (page 18). 2. Check for proper insertion. 3. Switch lever to ex lo, medium or high depending on carpet height (page 4). 4. Reset Belt Protection System (page 8).
Brush assembly does not turn.	<ol style="list-style-type: none"> 1. Tripped Belt Protection System 2. Attachment hose not properly inserted into base at rear. 3. Height Adjustment Lever in Bare Floor Setting. 	<ol style="list-style-type: none"> 1. Check for clogs, (page 17). Reset Belt Protection System, (page 8). 2. Check for proper insertion. 3. Switch lever to ex lo, medium or high, (page 4).
Performance indicator is red.	<ol style="list-style-type: none"> 1. Full or clogged dust bag 2. Dirty Motor Safety Filter. 3. Clogged airflow passage. 4. Certain attachment tools. 	<ol style="list-style-type: none"> 1. Change bag, (page 10-11). 2. Clean filter, (page 12-13). 3. Clear clog from airflow passage, (page 17). 4. This is normal. Light should go off when tool is removed.
Self-Propel does not work.	<ol style="list-style-type: none"> 1. Handle in LOCK position. 2. Attachment hose not properly inserted into base at rear. 3. Height Adjustment Lever in Bare Floor Setting. 4. Bag full or hose clogged. 	<ol style="list-style-type: none"> 1. Position handle in DRIVE mode, (page 3). 2. Check for proper insertion. 3. Switch lever to ex lo, medium or high depending on carpet height (page 4). 4. Replace bag or remove clog.