



**FACSIMILE EQUIPMENT
PARTS REFERENCE LIST**

**MODEL: FAX3550
MFC4500/6550MC/7550MC
(For U.S.A./Canada/S. America)**

© Copyright Brother 1996

All rights reserved

No part of this publication may be reproduced in any form
or by any means without permission in writing from the
publisher.

Specifications are subject to change without prior notice.

NOTES FOR USING THIS PARTS REFERENCE LIST

1. In the case of ordering parts, it needs mentioning the following items:

- (1) Serial number of BIL parts list
- (2) Code
- (3) Q'ty
- (4) Description

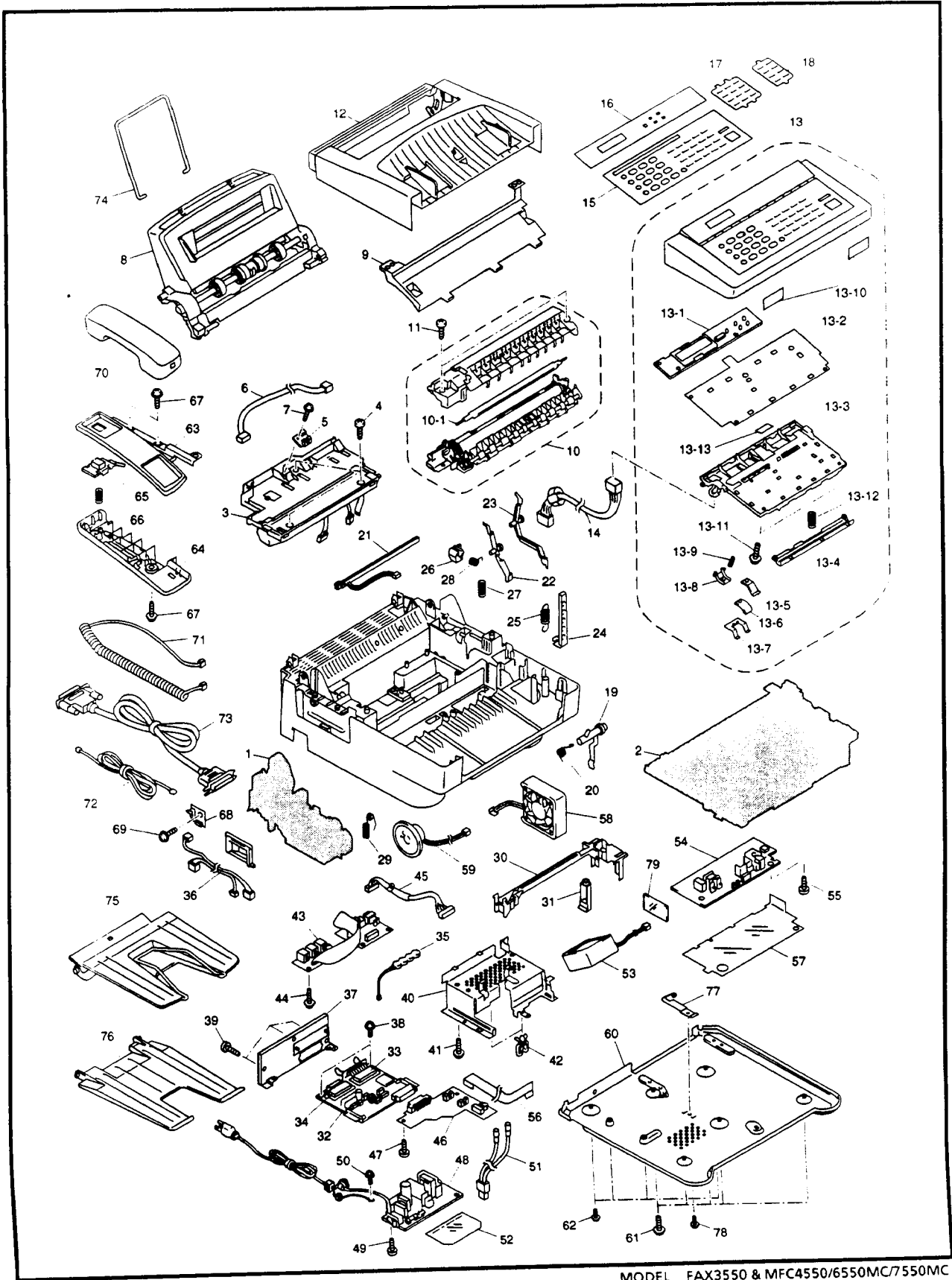
Note: No orders without Parts Code or Tool No. can be accepted.

[Example]

REF.NO.	CODE	Q'TY	DESCRIPTION	REMARKS

2. The original of this list was made based on the information available in May 21, 1996.

3. Parts are subject to change in design without previous notice.



MODEL FAX3550 & MFC4550/6550MC/7550MC

REF.NO.	CODE	Q'TY	DESCRIPTION	REMARKS
1			1. DRIVE UNIT ☆ REFER TO PAGE 7	
2			2. SCANNING FRAME ☆ REFER TO PAGE 9	
3	UL6875001	1	SCANNER UNIT	
4	085411215	3	TAPTITE, BIND B M4X12	
5	UG4142001	1	TONER SENSOR PCB ASSY	
6	UG4144001	1	TONER SENSOR HARNESS	
7	087310815	1	TAPTITE, CUP B M3X8	
8	UF7309002	1	MP TRAY ASSY, GRAY(1267) FOR FAX3550	
8	UF7309004	1	MP TRAY ASSY, WHITE(1138) FOR MFC4550/6550MC/7550MC	
9	UF7067001	1	INSULATION COVER, BLACK	
10	UL6877001	1	FIXING UNIT, 120V FOR USA/CAN	
10	UL6878001	1	FIXING UNIT, 240V FOR SOUTH AMERICA	
10-1	UL6879001	1	FU LAMP, 120V FOR USA/CAN	
10-1	UL6880001	1	FU LAMP, 240V FOR SOUTH AMERICA	
11	085411215	1	TAPTITE, BIND B M4X12	
12	UF7069001	1	OPEN COVER ASSY, GRAY(1267) FOR FAX3550	
12	UF7069004	1	OPEN COVER ASSY, WHITE(1138) FOR MFC4550/6550MC/7550MC	
13	UF7322001	1	CONTROL PANEL ASSY FOR FAX3550	
13	UF7326001	1	CONTROL PANEL ASSY FOR MFC4550	
13	UF7306001	1	CONTROL PANEL ASSY FOR MFC6550MC/7550MC	
13-1	UF7325001	1	PANEL PCB ASSY FOR FAX3550	
13-1	UF7325002	1	PANEL PCB ASSY FOR FAX4550	
13-1	UF7325003	1	PANEL PCB ASSY FOR FAX6550MC/7550MC	
13-2	UF7321001	1	FPC KEY ASSY FOR FAX3550 & MFC4550	
13-2	UF7305001	1	FPC KEY ASSY FOR MFC6550MC/7550MC	
13-3	UF7154001	1	PANEL REAR COVER ASSY, GRAY(1267)	
13-4	UF7155001	1	DOCUMENT PRESSURE BAR	
13-5	UF7159001	1	ADF SPRING PLATE	
13-6	UF7158000	1	SEPARATION RUBBER	
13-7	UF7160001	1	SPRING PLATE, ADF FRONT	
13-8	UF7161000	1	DOCUMENT INHALER	
13-9	UF7162001	1	SPRING, COMPRESSION	
13-10	UF7163001	2	ANTI-STATIC FILM	
13-11	087310815	2	TAPTITE, CUP B M3X8	
13-12	UF4404001	1	SPRING, COMPRESSION	
13-13	UF7150001	1	INSULATION SHEET	
14	UG4033001	1	PANEL-MAIN HARNESS	
15	UF7176001	1	PANEL SHEET FOR FAX3550	
15	UF7164001	1	PANEL SHEET FOR MFC4550	
15	UF7168001	1	PANEL SHEET FOR MFC6550MC/7550MC	
16	UF7177001	1	LCD PLATE FOR FAX3550	
16	UF7165001	1	LCD PLATE FOR MFC4550	
16	UF7173001	1	LCD PLATE FOR MFC6550MC	
16	UF7170001	1	LCD PLATE FOR MFC7550MC	
17	UL5771001	1	ADDRESS LABEL FOR FAX3550	
17	UL6123004	1	ADDRESS LABEL FOR MFC4550/6550MC/7550MC	
18	UL6122001	1	PANEL SPACER FOR MFC4550/6550MC/7550MC	
19	UL6936001	1	PAPER EJECT ACTUATOR ASSY, BLACK	
20	UL6931001	1	SPRING, TORSION EX	
21	UL6887001	1	EL PCB ASSY	
22	UF7055001	1	REGISTRATION SENSOR LEVER	
23	UF7056001	1	TC SENSOR LEVER	

MODEL FAX3550 & MFC4550/6550MC/7550MC

REF.NO.	CODE	Q'TY	DESCRIPTION	REMARKS
24	UF7057000	1	COVER OPEN LEVER	
25	UF7058001	1	SPRING, COIL	
26	UL6721000	1	LOCK LEVER	
27	UL6722001	1	SPRING, COMPRESSION	
28	UL6723001	1	PR LOCK SPRING	
29	UL6730000	1	DRUM GROUND SPRING	
30	UF7054001	1	DOCT COVER, BLACK	
31	UL6853001	1	DENSITY DIAL, GRAY(1252)	
32	UF7324001	1	MAIN PCB ASSY FOR FAX3550	
32	UF7324002	1	MAIN PCB ASSY FOR MFC4550	
32	UF7310001	1	MAIN PCB ASSY FOR MFC6550MC	
32	UF7310002	1	MAIN PCB ASSY FOR MFC7550MC	
33	UG4072001	1	PROM FOR FAX3550	
33	UG4177001	1	PROM-1 FOR MFC6550MC/7550MC	
34	UG4074001	1	PROM FOR MFC4550	
34	UG4179001	1	PROM-2 FOR MFC6550MC/7550MC	
35	UG4090001	1	BATTERY ASSY FOR MFC6550MC/7550MC	
36	UG4086001	1	MAIN HARNESS ASSY (HOOK-MAIN & LVP-MAIN HARNESS)	
37	UF7081000	1	I/F SHIELD ASSY FOR FAX3550	
37	UF7062001	1	I/F SHIELD ASSY FOR MFC4550/6550MC/7550MC	
38	087320616	2	TAPTITE, CUP S M3X6	
39	002300616	3	SCREW, PAN M3X6	
40	UF7059000	1	MAIN SHIELD	
41	087311016	3	TAPTITE, CUP B M3X10	
42	UG4163000	2	CLAMP:LWS-1S	
43	UF7311001	1	NCU PCB ASSY	
44	087311016	1	TAPTITE, CUP B M3X10	
45	UG4034001	1	NCU-MAIN HARNESS	
46	UF7314001	1	RELAY PCB ASSY	
47	085411215	1	TAPTITE, BIND B M4X12	
48	UF7312001	1	PS PCB ASSY, 115V FOR USA/CAN	
48	UK3191001	1	PS PCB ASSY, 230V FOR SOUTH AMERICA	
49	085411215	1	TAPTITE, BIND B M4X12	
50	UF6559001	1	SCREW, PAN (WASHER) M4X8DB	
51	UK3062001	1	HEATER HARNESS ASSY	
52	UF7078001	1	MAIN FILM	
53	UF7090001	1	MAIN FAN MOTER	
54	UK3192001	1	HIGH-VOLTAGE PS PCB ASSY	
55	085411215	1	TAPTITE, BIND B M4X12	
56	UK3059000	1	HV FLAT CABLE	
57	UF7060001	1	INSULATION SHEET	
58	UF7097001	1	SUB FAN MOTOR	
59	UG4036001	1	SPEAKER UNIT	
60	UF7065001	1	BOTTOM PLATE	
61	087411215	5	TAPTITE, CUP B M4X12	
62	087320616	4	TAPTITE, CUP S M3X6	
63	UF7073001	1	UPPER HANDSET COVER, GRAY(1267) FOR FAX3550	
63	UF7073004	1	UPPER HANDSET COVER, WHITE(1138) FOR MFC4550/6550MC/7550MC	
64	UF7074001	1	LOWER HANDSET COVER, GRAY(1267) FOR FAX3550	
64	UF7074004	1	LOWER HANDSET COVER, WHITE(1138) FOR MFC4550/6550MC/7550MC	
65	UF7075001	1	ACTUATOR HOOK	
66	UF7076001	1	SPRING, COMPRESSION	
67	087311016	3	TAPTITE, CUP B M3X10	
68	UF7329001	1	HOOK PCB ASSY	
69	087310616	1	TAPTITE, CUP B M3X6	
70	UF6400001	1	HANDSET, GRAY(1267) FOR FAX3550	

MODEL FAX3550 & MFC4550/6550MC/7550MC

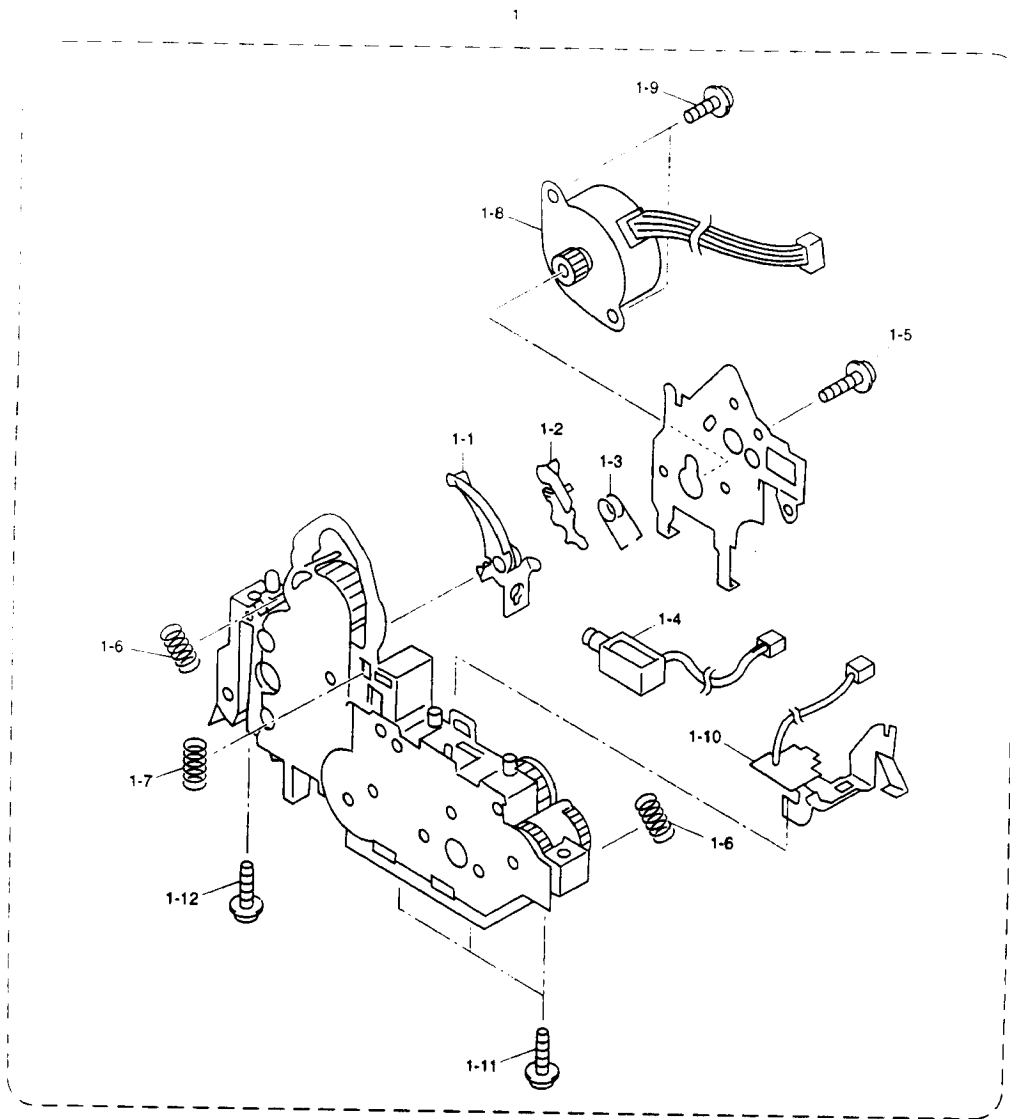
REF.NO.	CODE	Q'TY	DESCRIPTION	REMARKS
70	UF6400003	1	HANDSET, WHITE(1138) FOR MFC4550/6550MC/7550MC	
71	UF7204010	1	HANDSET CURLED CORD, GRAY(1267) FOR FAX3550	
71	UF7204009	1	HANDSET CURLED CORD, WHITE(1255) FOR MFC4550/6550MC/7550MC	
72	UG1570001	1	TELEPHONE LINE CORD FOR USA	
72	U88406001	1	TELEPHONE LINE CORD FOR CAN	
73	UG4166001	1	I/F CABLE:IQ-5257 FOR MFC4550/6550MC/7550MC	
74	UF7201001	1	WIRE EXTENSION	
75	UF7206001	1	DOCUMENT TRAY	
76	UF7209001	1	PAPER TRAY	
77	UF7092001	1	GROUNDING PLATE	
78	087320616	1	TAPTITE, CUP S M3X6	
79	UL6928001	1	FAN MOTOR FILM	
(80)	UL6955001	1	MP TRAY DUST COVER	
(81)	UL6611001	1	SEAL SPONGE A (234X55)	
(82)	UF7085001	1	SEAL SPONGE B (30X40)	
(83)	UF7086001	1	SEAL SPONGE C (42X55)	
(84)	UF7089001	1	SEAL SPONGE D (25X25)	
(85)	UF5077001	1	ISC/CES LABEL FOR CAN	
(86)	UL6740001	1	LASER CAUTION LABEL	
(87)	UL6741001	1	TONER CAUTION LABEL	
(88)	UL5738003	1	PAPER SET LABEL	
(89)	UL6688001	1	HV CAUTION LABEL	
(90)	UF7242001	1	MANUAL ASSY, FAX3550 FOR USA (INCLUDING OPERATIONS MANUAL, QUICK REFERENCE GUIDE, QUICK SET UP GUIDE AND REMOTE CONTROL GUIDE)	
(90)	UF7278001	1	MANUAL ASSY, FAX3550 FOR CAN (INCLUDING OPERATIONS MANUAL (ENGLISH/FRENCH), QUICK REFERENCE GUIDE (ENGLISH/FRENCH), QUICK SET UP GUIDE (ENGLISH/FRENCH) AND REMOTE CONTROL GUIDE (ENGLISH/FERNCH))	
(90)	UF7211001	1	MANUAL ASSY, MFC4550 FOR USA (INCLUDING OPERATIONS MANUAL, MULTI FUNCTION LINK MANUAL, QUICK REFERENCE GUIDE, SET UP MANUAL, REMOTE CONTROL GUIDE AND LICENSE GUIDE)	
(90)	UF7252001	1	MANUAL ASSY, MFC4550 FOR CAN (INCLUDING OPERATIONS MANUAL (ENGLISH/FRENCH), MULTI FUNCTION LINK MANUAL (ENGLISH/FRENCH), QUICK REFERENCE GUIDE (ENGLISH/FRENCH), SET UP MANUAL (ENGLISH/FRENCH), REMOTE CONTROL GUIDE (ENGLISH/FRENCH) AND LICENSE GUIDE)	
(90)	UF7233001	1	MANUAL ASSY, MFC6550MC/7550MC FOR USA (INCLUDING OPERATIONS MANUAL, MULTI FUNCTION LINK MANUAL, QUICK REFERENCE GUIDE, SET UP MANUAL, REMOTE CONTROL GUIDE AND LICENSE GUIDE)	
(90)	UF7264001	1	MANUAL ASSY, MFC6550MC/7550MC FOR CAN (INCLUDING OPERATIONS MANUAL (ENGLISH/FRENCH), MULTI FUNCTION LINK MANUAL (ENGLISH/FRENCH), QUICK REFERENCE GUIDE (ENGLISH/FRENCH), REMOTE CONTROL GUIDE (ENGLISH/FRENCE) AND LICENSE GUIDE)	
(90-1)	UF7225001	1	OPERATIONS MANUAL, FAX3550 FOR USA	
(90-1)	UF7279001	1	OPERATIONS MANUAL, FAX3550 FOR CAN (ENGLISH)	
(90-1)	UF7283001	1	OPERATIONS MANUAL, FAX3550 FOR CAN (FRENCH)	
(90-1)	UF7244001	1	OPERATIONS MANUAL, MFC4500/6550MC/7550MC FOR USA	
(90-1)	UF7263001	1	OPERATIONS MANUAL, MFC4500/6550MC/7550MC FOR CAN (ENGLISH)	
(90-1)	UF7246001	1	OPERATIONS MANUAL, MFC4550/6550MC/7550MC FOR CAN (FRENCH)	
(90-2)	UF7228001	1	SET UP MANUAL, MFC4550/6550MC/7550MC (ENGLISH)	
(90-2)	UF7258001	1	SET UP MANUAL, MFC4550/6550MC/7550MC FOR CAN (FRENCH)	
(90-3)	UF7226001	1	MULTI FUNCTION MANUAL, MFC4550/6550MC/7550MC (ENGLISH)	
(90-3)	UF7261001	1	MULTI FUNCTION MANUAL, MFC4550/6550MC/7550MC FOR CAN (FRENCH)	
(91)	UF7212001	1	FLOPPY DISK ASSY FOR MFC4500	
(91)	UF7249001	1	FLOPPY DISK ASSY FOR MFC6550MC/7550MC	
(92)	UE1432001	1	CARTON, BROTHER FAX3550	

MODEL FAX3550 & MFC4550/6550MC/7550MC

REF.NO.	CODE	Q'TY	DESCRIPTION	REMARKS
(92)	UE1476001	1	CARTON, BROTHER FAX3550 FOR CAN	
(92)	UE1423001	1	CARTON, BROTHER MFC4550 FOR USA	
(92)	UE1455001	1	CARTON, BROTHER MFC4550 FOR CAN	
(92)	UE1436001	1	CARTON, BROTHER MFC6550MC FOR USA	
(92)	UE1457001	1	CARTON, BROTHER MFC6550MC FOR CAN	
(92)	UE1447001	1	CARTON, BROTHER MFC7550MC FOR USA	
(92)	UE1469001	1	CARTON, BROTHER MFC7550MC FOR CAN	
(93)	UE1424001	1	STYROFOAM ASSY	
(94)	UE1427000	1	CARTON FOR MANUAL	

MODEL FAX3550 & MFC4550/6550MC/7550MC

1 . DRIVE UNIT



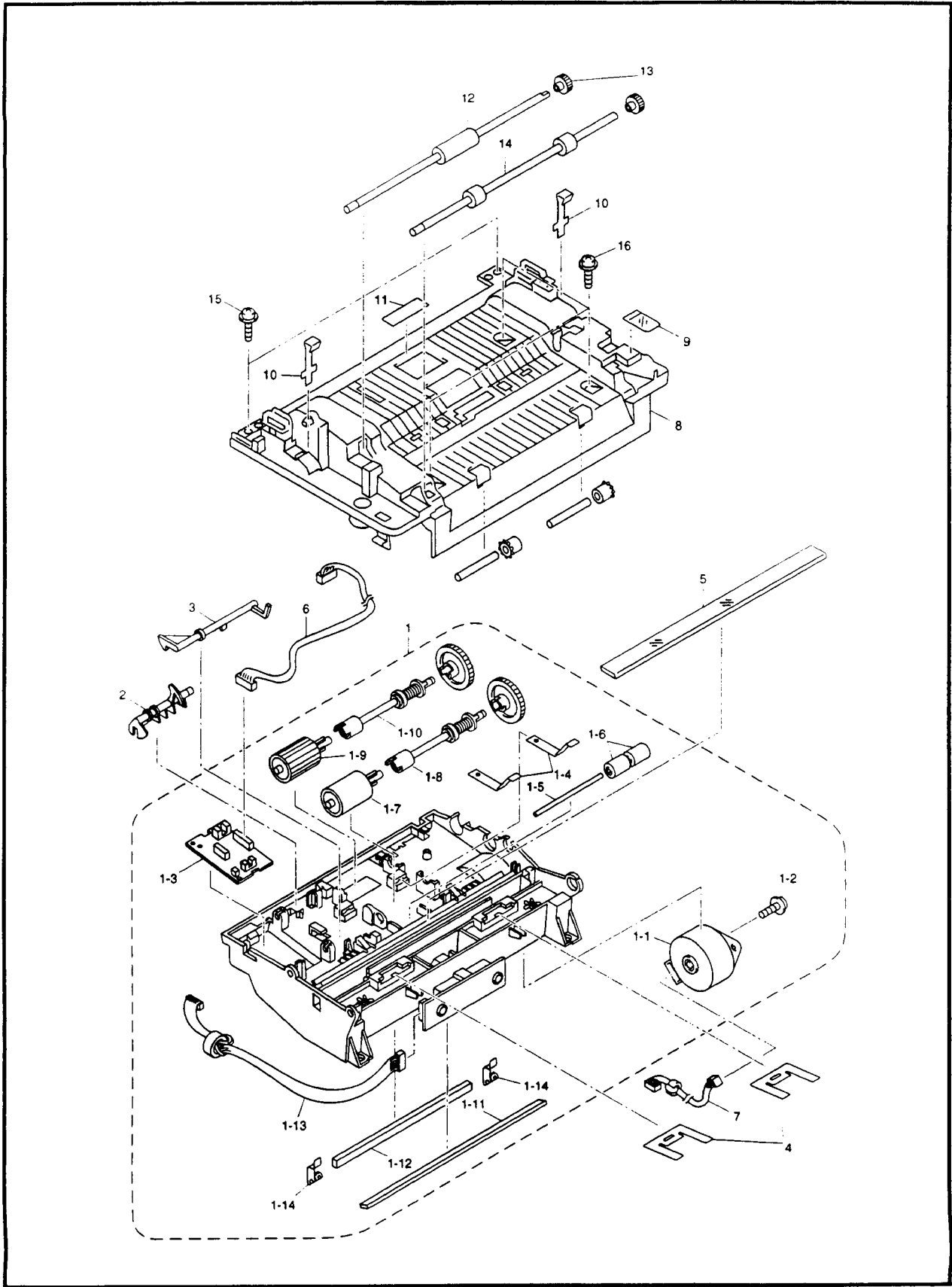
MODEL FAX3550 & MFC4550/6550MC/7550MC

1. DRIVE UNIT

REF.NO.	CODE	Q'TY	DESCRIPTION	REMARKS
1	UL6997001	1	DRIVE UNIT	
1-1	UL6573000	1	PAPER PICK-UP SOLENOID LEVER	
1-2	UL6574000	1	CLUTCH RELEASE LEVER	
1-3	UL6575001	1	SOLENOID LEVER RETURN SPRING	
1-4	UL6576001	1	PAPER PICK-UP SOLENOID ASSY	
1-5	087322015	1	TAPTITE, CUP S M3X20	
1-6	UL6577001	2	CLUTCH GEAR SPRING	
1-7	UL6579001	1	CLUTCH HOLDER SPRING	
1-8	UL6578001	1	MAIN MOTOR ASSY	
1-9	087320616	2	TAPTITE, CUP S M3X6	
1-10	UK3125001	1	DRUM GROUND PCB ASSY	
1-11	087412016	3	TAPTITE, CUP B M4X20	
1-12	085411215	1	TAPTITE, BIND B M4X12	

MODEL FAX3550 & MFC4550/6550MC/7550MC

2 . SCANNING FRAME



MODEL FAX3550 & MFC4550/6550MC/7550MC

2. SCANNING FRAME

REF.NO.	CODE	Q'TY	DESCRIPTION	REMARKS
1	UF7320001	1	SCANNING FRAME	
1-1	Z26243001	1	SCANNING MOTOR	
1-2	OAS300805	1	SCREW, PAN S/P WASHER M3X8	
1-3	UF7328001	1	SENSOR PCB ASSY	
1-4	UF7013001	2	SPRING PLATE, PRESSURE ROLLER	
1-5	UF7014000	1	PRESSURE ROLLER SHAFT	
1-6	T20869000	2	LEADER CLAMP ROLLER	
1-7	UF4366001	1	SEPARATION ROLLER	
1-8	UF7016001	1	SEPARATION ROLLER SHAFT, BLACK	
1-9	UF7015001	1	SEPARATION ROLLER	
1-10	UF7019001	1	SEPARATION ROLLER ASSY, WHITE	
1-11	UF7307001	1	MIRROR, L220	
1-12	UF7323001	1	MIRROR, \$166.5 FOR FAX3550/ & MFC4550	
1-12	UF7308001	1	MIRROR, \$137 FOR MFC6550MC/7550MC	
1-13	UG4032001	1	CCD-SENSOR HARNESS ASSY	
1-14	UF4431001	2	SPRING PLATE, MIRROR S FOR MFC6550MC/7550MC	
2	UF7026001	1	ACTUATOR, F	
3	UF7027001	1	ACTUATOR, R	
4	UF7028001	2	EJECTION SPRING	
5	UF7304001	1	COVER GLASS	
6	UG4031001	1	SENSOR-MAIN HARNESS	
7	UG4035001	1	SCANNER MOTOR-MAIN HARNESS	
8	UF7030001	1	ADF COVER, GRAY(1267) FOR FAX3550	
8	UF7030004	1	ADF COVER, WHITE(1138) FOR MFC4550/6550MC/7550MC	
9	UF7187001	1	GEAR COVER SHEET	
10	UF7031001	2	PANEL OPEN SPRING	
11	UL5664001	1	ADF FILM	
12	UF7033001	1	LF ROLLER	
13	UF7035000	2	LF ROLLER GEAR	
14	UF7036001	1	EJECTION ROLLER	
15	087411216	2	TAPTITE, CUP B M4X12	
16	087311016	3	TAPTITE, CUP B M3X10	

MODEL FAX3550 & MFC4550/6550MC/7550MC

INDEX

CODE	REF.NO.	Page
	- 1	2
	- 2	2
OAS300805	2 - 1-2	10
T20869000	2 - 1-6	10
UE1423001	- (92)	5
UE1424001	- (93)	5
UE1427000	- (94)	5
UE1432001	- (92)	4
UE1436001	- (92)	5
UE1447001	- (92)	5
UE1455001	- (92)	5
UE1457001	- (92)	5
UE1469001	- (92)	5
UE1476001	- (92)	5
UF4366001	2 - 1-7	10
UF4404001	- 13-12	2
UF4431001	2 - 1-14	10
UF5077001	- (85)	4
UF6400001	- 70	3
UF6400003	- 70	4
UF6559001	- 50	3
UF7013001	2 - 1-4	10
UF7014000	2 - 1-5	10
UF7015001	2 - 1-9	10
UF7016001	2 - 1-8	10
UF7019001	2 - 1-10	10
UF7026001	2 - 2	10
UF7027001	2 - 3	10
UF7028001	2 - 4	10
UF7030001	2 - 8	10
UF7030004	2 - 8	10
UF7031001	2 - 10	10
UF7033001	2 - 12	10
UF7035000	2 - 13	10
UF7036001	2 - 14	10
UF7054001	- 30	3
UF7055001	- 22	2
UF7056001	- 23	2
UF7057000	- 24	3
UF7058001	- 25	3
UF7059000	- 40	3
UF7060001	- 57	3
UF7062001	- 37	3
UF7065001	- 60	3
UF7067001	- 9	2
UF7069001	- 12	2
UF7069004	- 12	2
UF7073001	- 63	3
UF7073004	- 63	3
UF7074001	- 64	3
UF7074004	- 64	3
UF7075001	- 65	3
UF7076001	- 66	3
UF7078001	- 52	3
UF7081000	- 37	3
UF7085001	- (82)	4
UF7086001	- (83)	4
UF7089001	- (84)	4
UF7090001	- 53	3
UF7092001	- 77	4
UF7097001	- 58	3
UF7150001	- 13-13	2
UF7154001	- 13-3	2

CODE	REF.NO.	Page
UF7155001	- 13-4	2
UF7158000	- 13-6	2
UF7159001	- 13-5	2
UF7160001	- 13-7	2
UF7161000	- 13-8	2
UF7162001	- 13-9	2
UF7163001	- 13-10	2
UF7164001	- 15	2
UF7165001	- 16	2
UF7168001	- 15	2
UF7170001	- 16	2
UF7173001	- 16	2
UF7176001	- 15	2
UF7177001	- 16	2
UF7187001	2 - 9	10
UF7201001	- 74	4
UF7204009	- 71	4
UF7204010	- 71	4
UF7206001	- 75	4
UF7209001	- 76	4
UF7211001	- (90)	4
UF7212001	- (91)	4
UF7225001	- (90-1)	4
UF7226001	- (90-3)	4
UF7228001	- (90-2)	4
UF7233001	- (90)	4
UF7242001	- (90)	4
UF7244001	- (90-1)	4
UF7246001	- (90-1)	4
UF7249001	- (91)	4
UF7252001	- (90)	4
UF7258001	- (90-2)	4
UF7261001	- (90-3)	4
UF7263001	- (90-1)	4
UF7264001	- (90)	4
UF7278001	- (90)	4
UF7279001	- (90-1)	4
UF7283001	- (90-1)	4
UF7304001	2 - 5	10
UF7305001	- 13-2	2
UF7306001	- 13	2
UF7307001	2 - 1-11	10
UF7308001	2 - 1-12	10
UF7309002	- 8	2
UF7309004	- 8	2
UF7310001	- 32	3
UF7310002	- 32	3
UF7311001	- 43	3
UF7312001	- 48	3
UF7314001	- 46	3
UF7320001	2 - 1	10
UF7321001	- 13-2	2
UF7322001	- 13	2
UF7323001	2 - 1-12	10
UF7324001	- 32	3
UF7324002	- 32	3
UF7325001	- 13-1	2
UF7325002	- 13-1	2
UF7325003	- 13-1	2
UF7326001	- 13	2
UF7328001	2 - 1-3	10
UF7329001	- 68	3
UG1570001	- 72	4

INDEX

CODE	REF.NO.	Page
UG4031001	2 - 6	10
UG4032001	2 - 1-13	10
UG4033001	- 14	2
UG4034001	- 45	3
UG4035001	2 - 7	10
UG4036001	- 59	3
UG4072001	- 33	3
UG4074001	- 34	3
UG4086001	- 36	3
UG4090001	- 35	3
UG4142001	- 5	2
UG4144001	- 6	2
UG4163000	- 42	3
UG4166001	- 73	4
UG4177001	- 33	3
UG4179001	- 34	3
UK3059000	- 56	3
UK3062001	- 51	3
UK3125001	1 - 1-10	8
UK3191001	- 48	3
UK3192001	- 54	3
UL5664001	2 - 11	10
UL5738003	- (88)	4
UL5771001	- 17	2
UL6122001	- 18	2
UL6123004	- 17	2
UL6573000	1 - 1-1	8
UL6574000	1 - 1-2	8
UL6575001	1 - 1-3	8
UL6576001	1 - 1-4	8
UL6577001	1 - 1-6	8
UL6578001	1 - 1-8	8
UL6579001	1 - 1-7	8
UL6611001	- (81)	4
UL6688001	- (89)	4
UL6721000	- 26	3
UL6722001	- 27	3
UL6723001	- 28	3
UL6730000	- 29	3
UL6740001	- (86)	4
UL6741001	- (87)	4
UL6853001	- 31	3
UL6875001	- 3	2
UL6877001	- 10	2
UL6878001	- 10	2
UL6879001	- 10-1	2
UL6880001	- 10-1	2
UL6887001	- 21	2
UL6928001	- 79	4
UL6931001	- 20	2
UL6936001	- 19	2
UL6955001	- (80)	4
UL6997001	1 - 1	8
U88406001	- 72	4
Z26243001	2 - 1-1	10
002300616	- 39	3
085411215	- 4	2
	- 11	2
	- 47	3
	- 49	3
	- 55	3
	1 - 1-12	8
087310616	- 69	3

CODE	REF.NO.	Page
087310815	- 7	2
	- 13-11	2
087311016	- 41	3
	- 44	3
	- 67	3
	2 - 16	10
087320616	- 38	3
	- 62	3
	- 78	4
	1 - 1-9	8
087322015	1 - 1-5	8
087411215	- 61	3
087411216	2 - 15	10
087412016	1 - 1-11	8

brother®

May, '96
5X5201 BEO