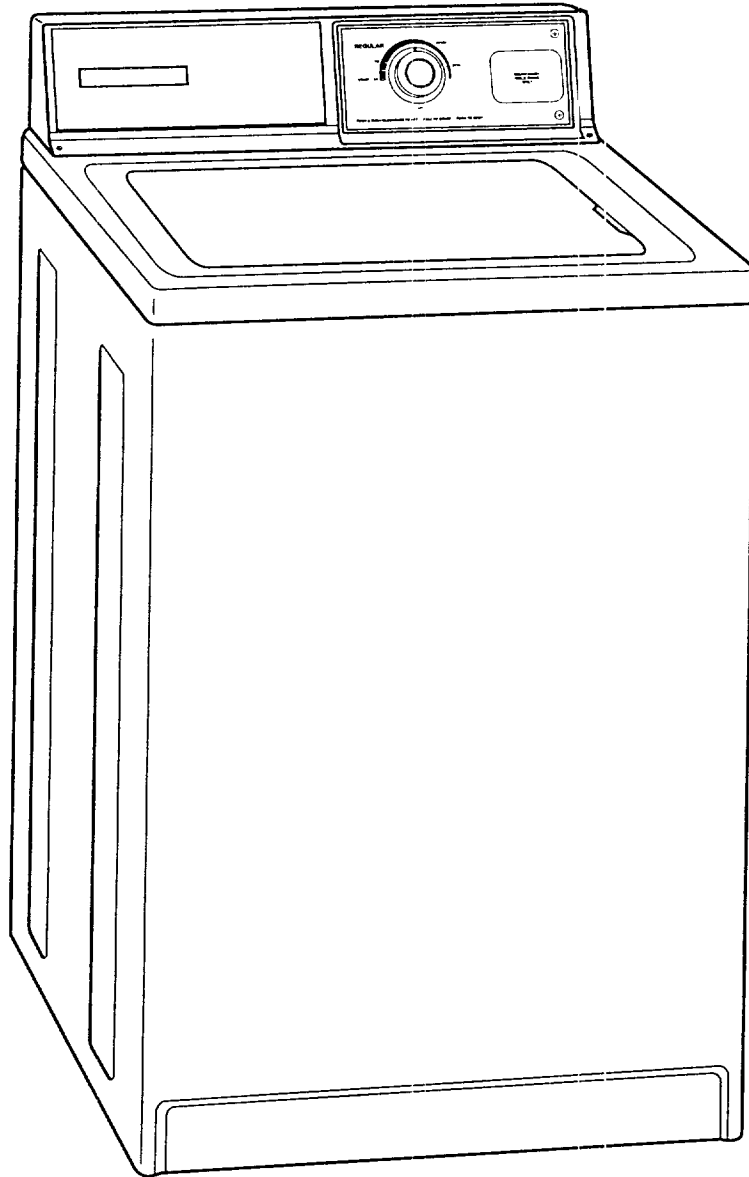


SEARS Owner's Manual

One-Speed AUTOMATIC WASHERS



IMPORTANT:
Read and follow all safety
instructions and operating
instructions before first use
of this product.

Sears, Roebuck and Co., Hoffman Estates, IL 60179 U.S.A.

PART NO. 3950149 PRINTED IN U.S.A.

SAFETY

INSTALLATION

OPERATION

MAINTENANCE

TROUBLESHOOTING

SERVICE

ESPAÑOL

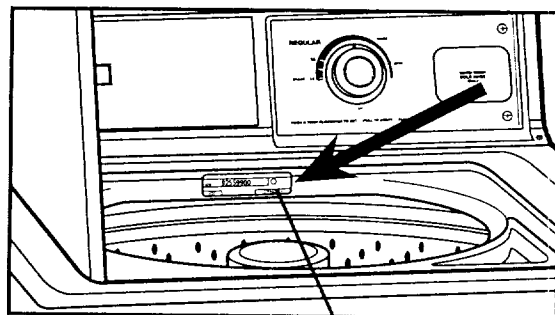
TABLE OF CONTENTS

BEFORE USING YOUR NEW WASHER	2
SEARS AUTOMATIC WASHER WARRANTY	3
IMPORTANT SAFETY INSTRUCTIONS	3
INSTALLATION INSTRUCTIONS	4
OPERATING YOUR WASHER	15
CARING FOR YOUR WASHER	18
TROUBLESHOOTING	19
SEARS MAINTENANCE AGREEMENT	23
REQUESTING ASSISTANCE OR SERVICE	24

BEFORE USING YOUR NEW WASHER

Please read this manual. It will help you install and operate your new automatic washer in the safest and most economical way.

For more information about the care and operation of Sears appliances call your nearest Sears store. You will need the complete model and serial numbers when requesting information. Your washer's model and serial numbers are located on the Model and Serial Number Plate.



Model and Serial Number Plate

Use the space below to record the model number and serial number of your new washer.

Model No. _____

Serial No. _____

Date of Purchase _____

Keep this book and your sales check (receipt) in a safe place for future reference.

SEARS AUTOMATIC WASHER WARRANTY

90-DAY WARRANTY ON MECHANICAL AND ELECTRICAL PARTS

For ninety days from the date of purchase, when the washer is installed and operated in accordance with the instructions in the Owner's Manual, Sears will repair or replace any mechanical or electrical parts in this washer, if defective in material or workmanship.

LIMITED 2-YEAR WARRANTY ON GEARCASE PARTS

After ninety days and until two years from the date of purchase, Sears will furnish replacement parts for any defective gearcase parts. You will be charged for labor.

LIMITED 5-YEAR WARRANTY ON PLASTIC TUB

After ninety days and until five years from date of purchase, Sears will furnish a replacement plastic tub for any plastic tub which is defective in material or workmanship. You will be charged for labor.

WARRANTY SERVICE IS AVAILABLE BY CONTACTING THE NEAREST SEARS SERVICE CENTER IN THE UNITED STATES.

This warranty applies only while this product is in use in the United States. This warranty gives you specific legal rights, and you may also have other rights which vary from state to state.

Sears Roebuck and Co., Dept. 817WA, Hoffman Estates, IL 60179.

IMPORTANT SAFETY INSTRUCTIONS

YOUR SAFETY IS IMPORTANT TO US

WARNING: To reduce the risk of fire, electric shock, or injury to persons when using your washer, follow basic precautions, including the following:

- Read all instructions before using the washer.
- Do not wash articles that have been previously cleaned in, washed in, soaked in, or spotted with gasoline, dry-cleaning solvents, other flammable or explosive substances as they give off vapors that could ignite or explode.
- Do not add gasoline, dry-cleaning solvents, or other flammable or explosive substances to the wash water. These substances give off vapors that could ignite or explode.
- Under certain conditions, hydrogen gas may be produced in a hot water system that has not been used for 2 weeks or more. **HYDROGEN GAS IS EXPLOSIVE.** If the hot water system has not been used for such a period, before using a washing machine, turn on all hot water faucets and let the water flow from each for several minutes. This will release any accumulated hydrogen gas. As the gas is flammable, do not smoke or use an open flame during this time.
- Do not allow children to play on or in the washer. Close supervision of children is necessary when the washer is used near children.
- Before the washer is removed from service or discarded, remove the door.
- Do not reach into the washer if the tub or agitator is moving.
- Do not install or store this washer where it will be exposed to the weather.
- Do not tamper with controls.
- Do not repair or replace any part of the washer or attempt any servicing unless specifically recommended in the Owner's Manual or in published user-repair instructions that you understand and have the skills to carry out.

SAVE THESE INSTRUCTIONS

This guide contains safety statements under warning symbols. Please pay special attention to this box and follow any instructions given.

! WARNING

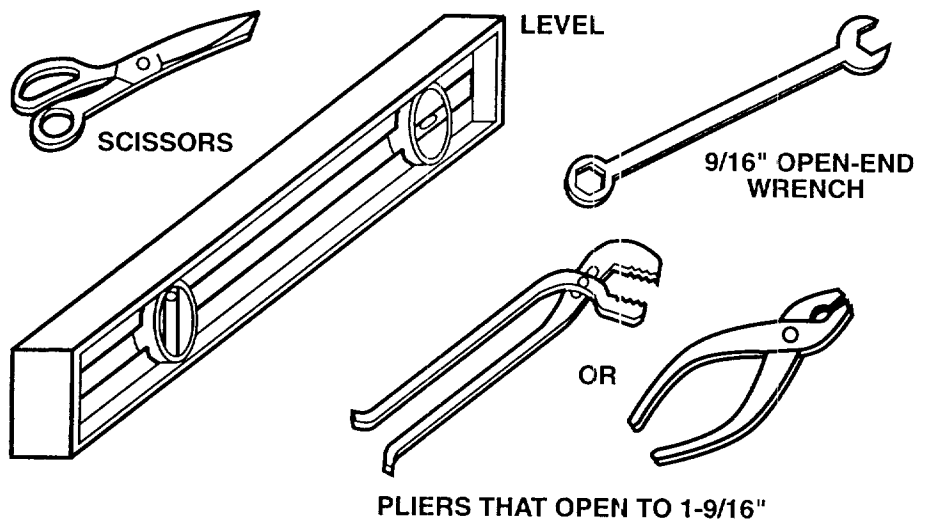
The information in this box will alert you to such dangers as fire, electrical shock, burns and personal injury.

INSTALLATION INSTRUCTIONS

IMPORTANT:

Observe all governing codes and ordinances.

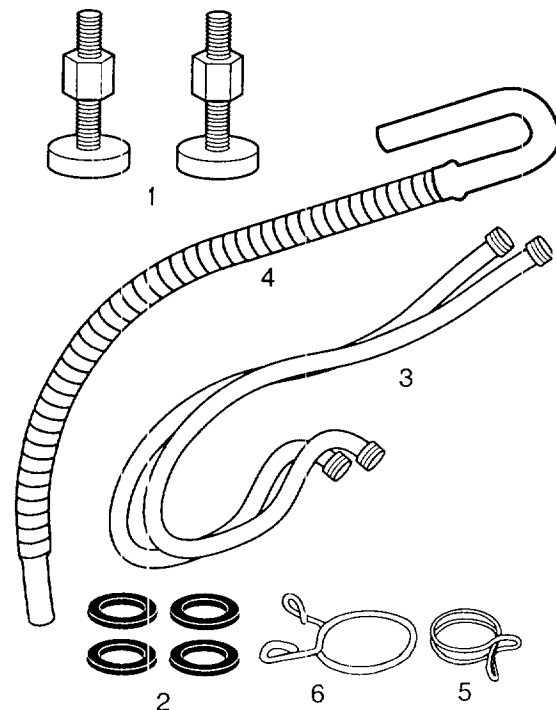
TOOLS NEEDED FOR INSTALLATION



PARTS SUPPLIED FOR INSTALLATION

The parts supplied with your washer are listed in the order which they will be used.

- (1) 2 front leveling legs with nuts
- (2) 4 flat water fill hose washers
- (3) 2 water inlet hoses
- (4) 1 drain hose
- (5) 1 silver, double-wire hose clamp (bottom of drain hose)
- (6) 1 yellow, single-wire hose clamp (top of drain hose)




for your **Benefit**

Selecting the proper location for your washer will improve its performance and minimize concerns like washer walk or noise.

ELECTRICAL REQUIREMENTS


120-Volt, 60-Hz., AC-only, 15- or 20-ampere fused electrical supply is required. (Time-delay fuse or circuit breaker is recommended.) It is recommended that a separate circuit serving only this washer be provided.

⚠ WARNING



Electrical Shock Hazard
Plug into a grounded 3-prong outlet.
Do not remove ground prong.
Do not use an adapter.
Failure to follow these instructions can result in death or electrical shock.

⚠ WARNING



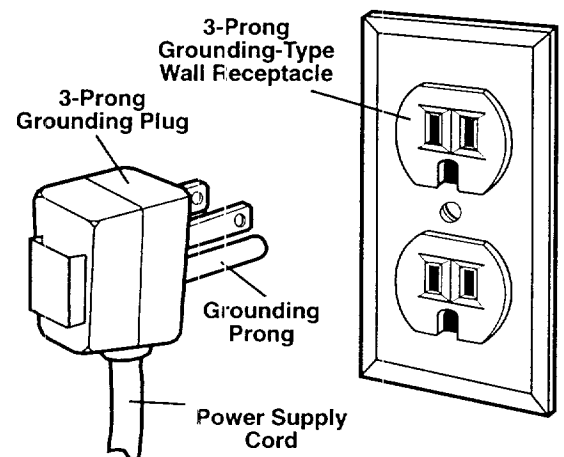
Fire Hazard
Do not use an extension cord.
Using an extension cord can result in death, fire, or electrical shock.

GROUNDING INSTRUCTIONS

WARNING: Improper connection of the equipment grounding conductor can result in a risk of electric shock. Check with a qualified electrician or serviceman if you are in doubt as to whether the appliance is properly grounded. Do not modify the plug provided with the appliance – if it will not fit the outlet, have a proper outlet installed by a qualified electrician.

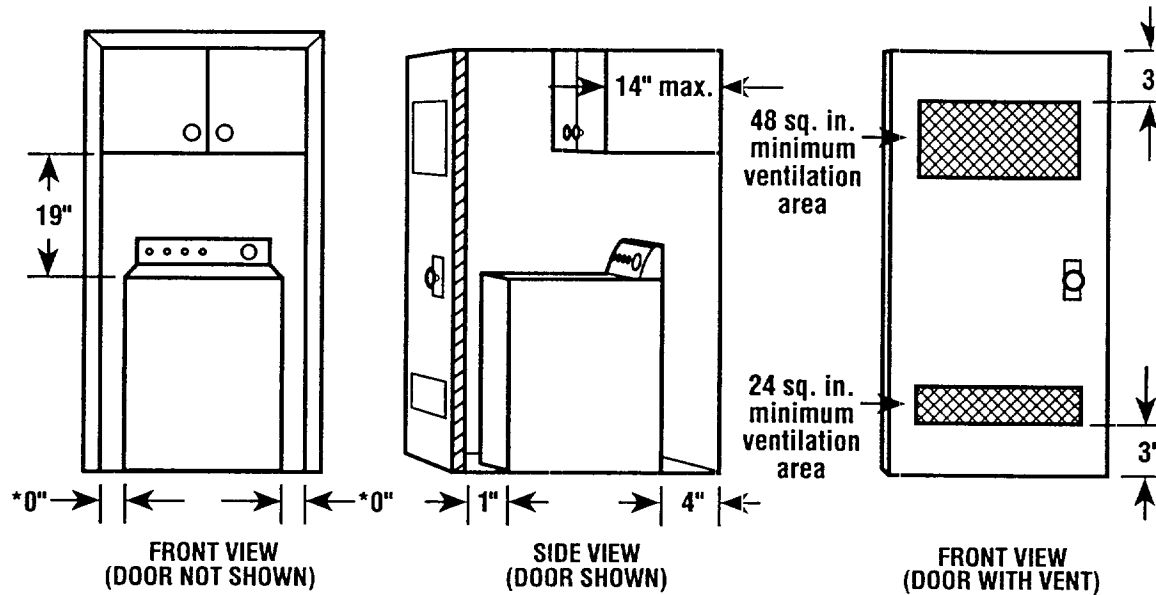
For your personal safety, this washer must be grounded. In the event of malfunction or breakdown, grounding will reduce the risk of electric shock by providing a path of least resistance for electric current.

This washer is equipped with a power supply cord having a 3-prong grounding plug. To minimize possible shock hazard, you must plug the power supply cord into a mating 3-prong grounding-type wall receptacle, grounded in accordance with National Electrical Code, ANSI/NFPA 70-latest edition and all local codes and ordinances.



RECESSED AREA INSTRUCTIONS

This washer may be installed in a recessed area or closet.



*ADDITIONAL CLEARANCES FOR WALL, DOOR AND FLOOR MOLDINGS MAY BE REQUIRED.

- The installation spacing is in inches and is the minimum allowable.
- Additional spacing should be considered for ease of installation and servicing.
- If closet door is installed, the minimum air openings in top and bottom are required. Louvered doors with equivalent air openings in top and bottom are acceptable.

LAUNDRY TUB DRAIN SYSTEM

Check location where washer will be installed. This washer can be installed using one of three systems:

- Laundry tub drain system (below)
- Standpipe drain system (p. 8)
- Floor drain system (p. 8)

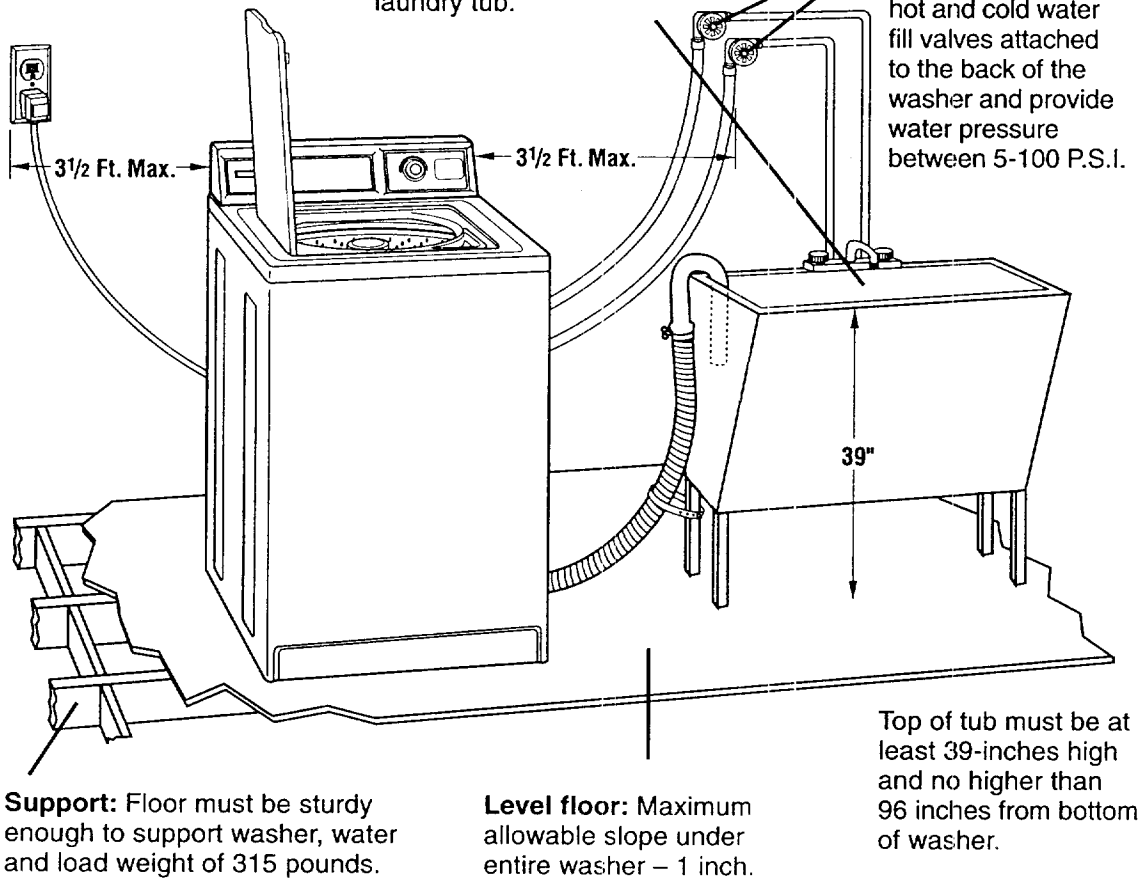
Do not store or operate washer at or below 32°F (some water may remain in washer). See page 18 for Winterizing Information.

Proper installation is your responsibility. Make sure you have everything necessary for correct installation including the following points:

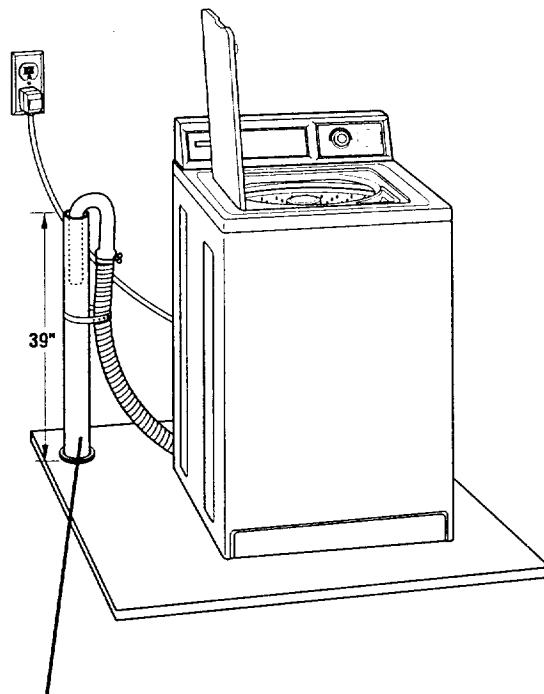
Water heater:
To get the best washing results, set water heater to deliver 140°F water to washer.

Hot and cold water faucets: Must be within 4 feet of the hot and cold water fill valves attached to the back of the washer and provide water pressure between 5-100 P.S.I.

Laundry tub drain system:
Needs a minimum 20-gallon laundry tub.

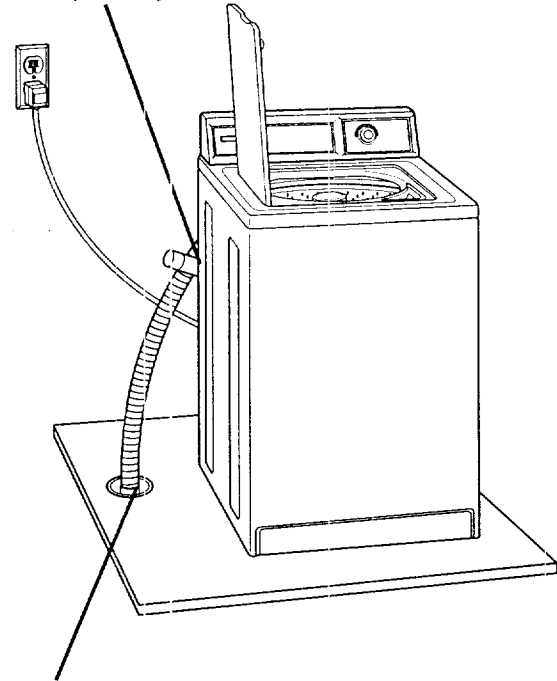


ALTERNATE LOCATIONS – STANDPIPE AND FLOOR DRAIN SYSTEMS



Standpipe drain system: Needs a two-inch minimum diameter standpipe with minimum carry-away capacity of 17 gallons per minute. Top of standpipe must be at least 39-inches high and no higher than 96 inches from bottom of washer.

Siphon break: Must be purchased separately. See chart below.



Floor drain system: Requires a siphon break, see chart below.

If you have:	You will need to buy:
Laundry tub or standpipe higher than 96 inches	Sump pump system (if not already available)
1-inch diameter standpipe	2-inch diameter to 1-inch diameter standpipe adapter, Part No. 3363920
Overhead sewer	Standard 20 gallon, 39-inch high drain tub or utility sink and sump pump (available from local plumbing suppliers)
Floor drain	Siphon break, Part No. 285320; additional drain hose, Part No. 3357090; and Connector Kit, Part No. 285442
Water faucets beyond the reach of water fill hoses	2 longer water fill hoses: 6 ft. hoses, Part No. 76314 or 10 ft. hoses, Part No. 350008
Drain hose that is too short	Drain hose, Part No. 388423 and hose extension kit, Part No. 285442
Drain hose that is too long	Hose extension kit, Part No. 285442
A problem with lint clogging your drain	Drain protector, Part No. 367031

Parts listed are available from SEARS. Call 1-800-366-PART.

REMOVE SHIPPING STRAP

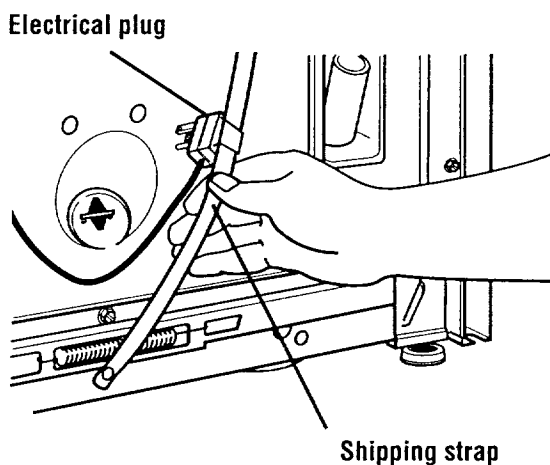
for your **Benefit**

Removing the shipping strap is necessary for smooth operation. If the shipping strap is not removed, the washer will make excessive noise.

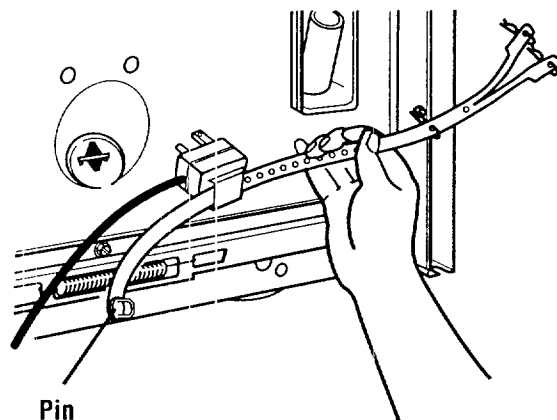
To prevent floor damage, set washer onto cardboard before moving across floor. Move washer close to its final location.

STEP 1. Read, then remove the label over the electrical plug and shipping strap.

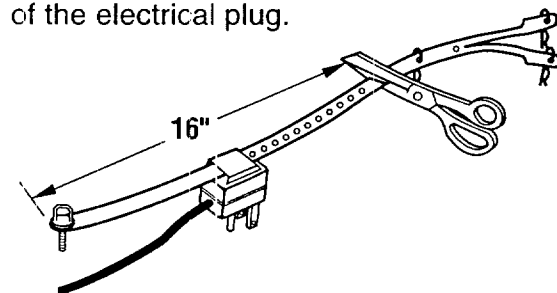
STEP 2. Pull the yellow shipping strap completely out of the washer. There should be three cotter pins on the end of the shipping strap that comes out of the washer. The electrical plug is attached to shipping strap.



STEP 3. Pull firmly to remove the other end of the shipping strap pinned to the back of washer to release rear self-leveling legs.



STEP 4. Cut the shipping strap about 16 inches from plug end. Look for the words "cut here." Pull shipping strap out of the electrical plug.



NOTE: Save the end of the shipping strap that does not have the three cotter pins for use in securing the drain hose.

CONNECT INLET HOSES TO WASHER

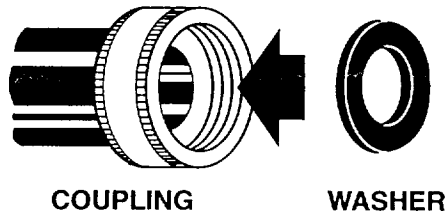
for your **Benefit**

Proper connection of your inlet hoses will allow hot and cold water to enter your washer properly. It also helps prevent water damage due to leaks.

⚠ WARNING

Slip and Fall Hazard Use new water inlet hoses. Failure to do so can result in head injury, broken bones, or bruises.

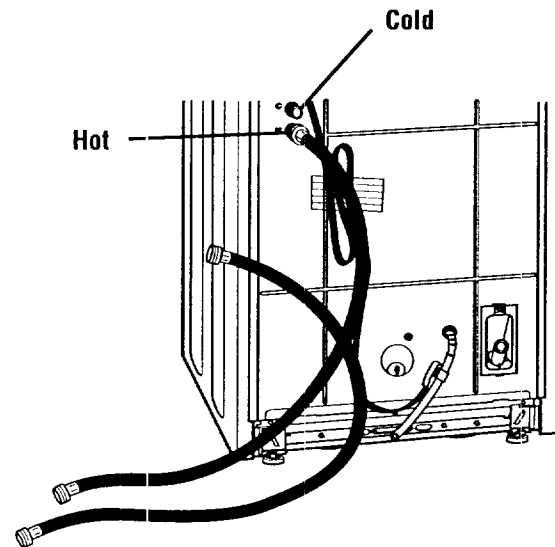
STEP 1. Insert a flat washer into each end of the inlet hoses. Check that washers are firmly seated in couplings. Use new washers that came with your washing machine.



STEP 2. Attach the hose with the red coupling to the hot water (bottom) inlet valve. Tighten coupling by hand. Use pliers to make an approximate one-third turn. **DO NOT OVERTIGHTEN**; this could cause damage to valves.

NOTE: Attaching the red coupling first makes it easier to tighten connection with pliers.

STEP 3. Attach the hose with the blue coupling to the cold water (top) inlet valve. Tighten coupling by hand. Use pliers to make an approximate one-third turn. **DO NOT OVERTIGHTEN**; this could cause damage to valves.



CONNECT INLET HOSES TO WATER FAUCETS

STEP 1. Run water through both faucets into a bucket to get rid of particles in the water lines that might clog hoses. Determine which faucet is hot and which is cold. Mark the hot water faucet.

STEP 2. Attach the hose with the red coupling to the hot water faucet. Tighten coupling to faucet by hand. Use pliers to make an approximate one-third turn. **DO NOT OVERTIGHTEN**; this could damage the coupling.

STEP 3. Attach the hose with the blue coupling to the cold water faucet. Tighten coupling to faucet by hand. Use pliers to make an approximate one-third turn. **DO NOT OVERTIGHTEN**; this could damage the coupling.

STEP 4. Turn on water faucets and check for leaks. A small amount of water will enter the washer. You will drain this later.

CONNECT DRAIN HOSE

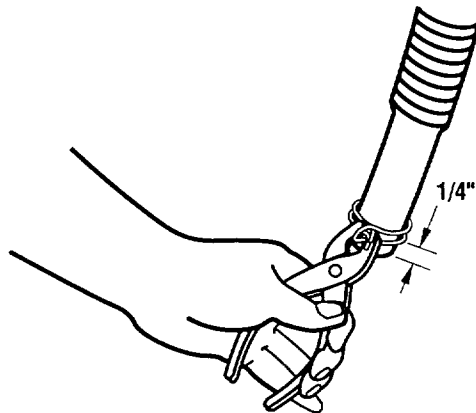
for your **Benefit**

Proper connection of the drain hose will protect your floors from damage due to water leakage.

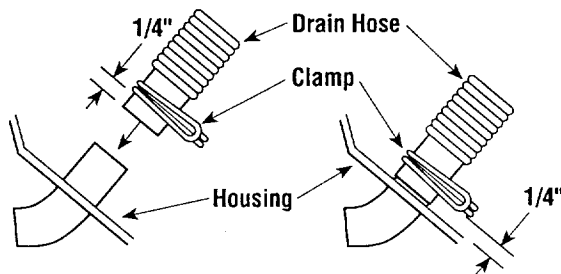
STEP 1. To prevent the drain hose from coming off or leaking, it must be installed per the following instructions:

IMPORTANT: This procedure must be followed to ensure proper installation.

- a. Wet the inside of the soft coupler at the end of the drain hose with tap water. **DO NOT USE ANY OTHER LUBRICANT.**
- b. Squeeze ears of silver-colored, double-wire clamp with pliers to open and place clamp over the straight end of the drain hose $\frac{1}{4}$ " from the end.



- c. Open clamp and push end of drain hose onto drain connector until hose contacts the housing.



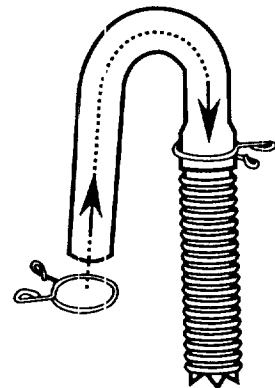
- d. Place clamp over area marked "clamp." Release clamp.

STEP 2. Put "hook" end of drain hose into laundry tub or standpipe. Check for proper length of drain hose. Rotate hook to eliminate kinks.

To prevent drain water from going back into the washer:

- Do not straighten "hook" end of drain hose and force excess drain hose into standpipe.
- Do not lay excess drain hose in bottom of laundry tub.

STEP 3. For standpipe or laundry tub drain systems: Open yellow, single-wire clamp and slide over "hook" end of drain hose to secure the rubber and corrugated sections together.



SECURE DRAIN HOSE

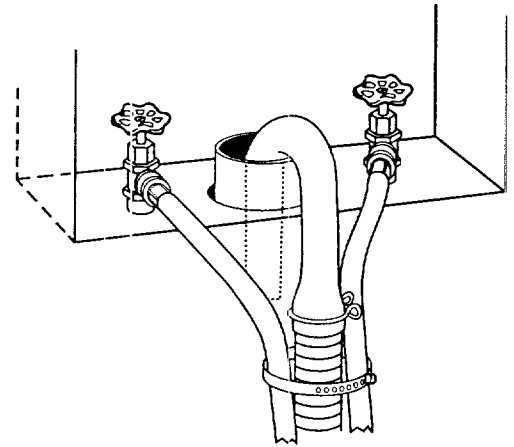
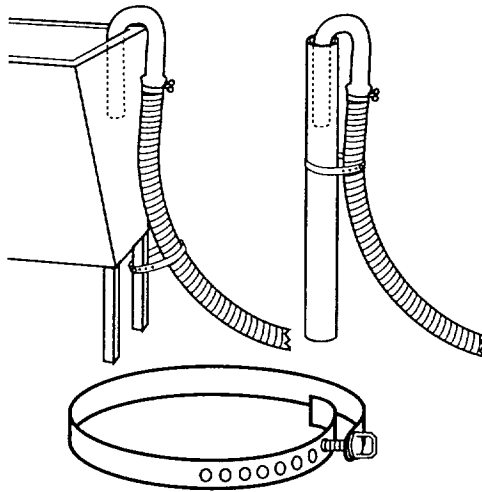
for your **Benefit**

Securing the drain hose properly will protect your floors from damage due to water leakage.

STEP 1. Use the shipping strap you cut and removed (without the three cotter pins).

STEP 2. Tightly wrap the shipping strap around the drain hose and laundry tub or standpipe. Push plug into the nearest hole in the shipping strap.

If the water faucets and drain standpipe are recessed; put "hook" end of drain hose in standpipe. Tightly wrap the shipping strap around the drain hose and water inlet hoses (not the handles or stems). Push plug into the nearest hole in the shipping strap.



LEVEL WASHER

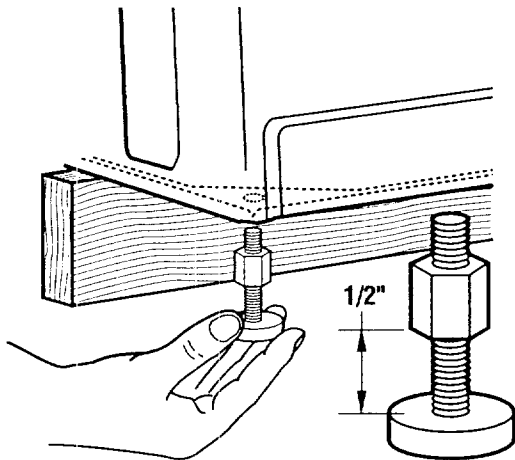
for your **Benefit**

Leveling your washer properly prevents excessive noise and vibration.

To install front legs:

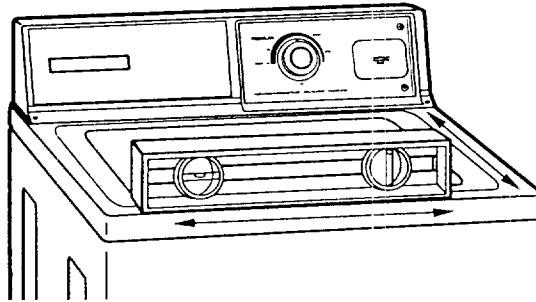
STEP 1. Prop front of washer up on a wood block (about 4 inches). If washer was placed against a wall, it may have to be moved out slightly before tipping it to prop it up.

STEP 2. With one of the legs in hand, screw lock nut onto leg $\frac{1}{2}$ -inch from top of leg base. This is the recommended initial setting. Screw leg into washer base by hand until nut reaches washer base. Repeat for other leg.



STEP 3. Tilt washer backward until front of washer is off the wood block. Remove wood block. Gently lower washer to floor. Move washer to its final location. Remove cardboard from under washer.

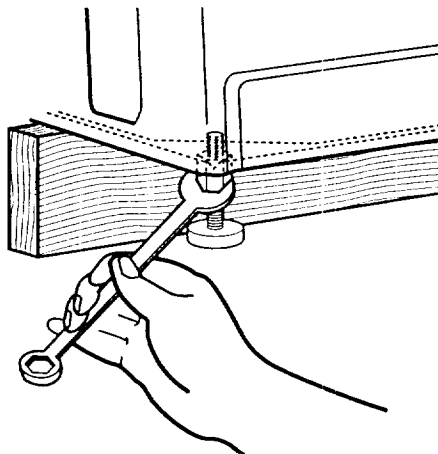
STEP 4. Tilt washer forward until rear of washer is at least 3 inches off floor to set self-adjusting rear legs. Lower washer to floor. Check levelness of the washer by placing a carpenter's level on top of the washer, first side-to-side; then front-to-back.



INSTALLATION

STEP 5. If washer is not level, repeat STEP 1. Adjust the front legs up or down, then repeat STEPS 3 & 4.

STEP 6. When washer is level, use $\frac{9}{16}$ -inch open-end wrench to turn nuts on front legs up tightly against washer base. If nuts are not tight against washer base, the washer may vibrate.



FINISH INSTALLATION/ CHECKPOINTS

for your **Benefit**

Taking a few minutes to complete this checklist will help ensure a proper installation and increase your satisfaction with your washer.

- Check electrical requirements.
Be sure you have correct electrical supply and recommended grounding method.
- Check that you have:
 - All the tools you started with.
 - Removed all shipping materials.
 - Removed shipping strap and three cotter pins.
 - Installed all parts listed on page 4.
 - Washer is level and front feet are tight.
- Turn on water faucets and recheck for leaks. If there is leaking, refer to page 10.
- Plug power supply cord into grounded outlet.
- Take a few minutes and read the Operating Instructions (on pages 15-17) to fully understand your new washer. Now start the washer and allow it to complete the REGULAR Cycle.

OPERATING YOUR WASHER

for your **Benefit**

To get the maximum cleaning and fabric care from your washer, please read and follow these instructions.

! WARNING



Explosion Hazard

Never place items in the washer that are dampened with gasoline or other flammable fluids.

Do not wash or dry items soiled with vegetable or cooking oils because they may contain some oil after laundering.

Doing so can result in death, explosion, or fire.

STARTING YOUR WASHER

STEP 1. Add measured detergent directly into washer basket. Then place a load of sorted clothes in the washer.

STEP 2. Close washer lid.

STEP 3. Push the Cycle Selector Control (Timer) Knob **(A)** in and turn to the right. Set time according to the level of soil and type of fabric in the load (see page 16).

STEP 4. Pull the Cycle Selector Control (Timer) Knob out to start washer.

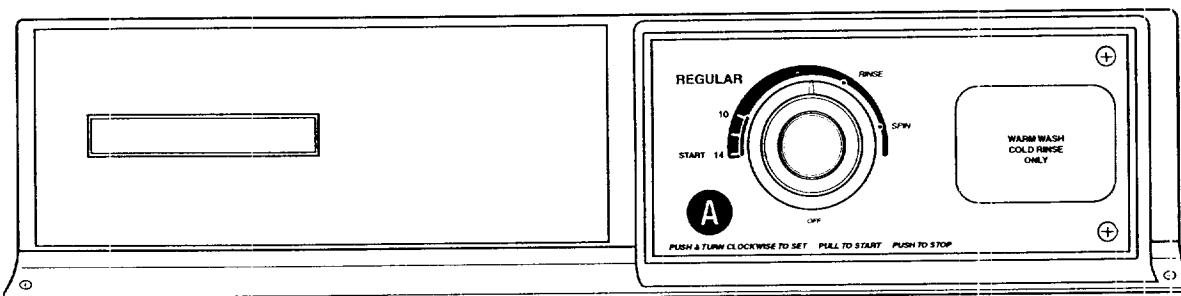
STOPPING/RESTARTING YOUR WASHER

- To stop the washer at any time, push the Cycle Selector Control (Timer) Knob in.
- Pull the knob out to restart.

WASH/RINSE WATER TEMPERATURE

All washes are done in warm water. All rinses are cold to save energy.

OPERATION



SETTING YOUR CYCLE SELECTOR (TIMER) CONTROL

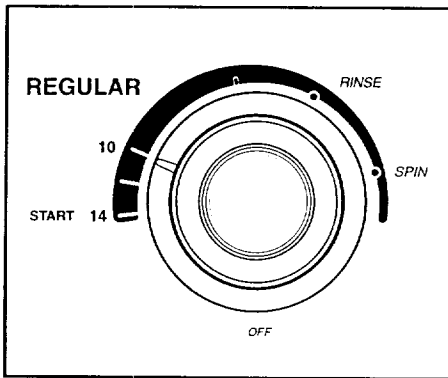
Use this control to choose your wash time and to start the washer.

- For heavy soil and sturdy fabrics use the full time.
- For light soil and delicate fabrics, use less time.

REGULAR

Use this cycle to get up to 14 minutes of wash time for sturdy or heavily soiled loads.

- Wash combines fast speed agitation and fast spin speeds.

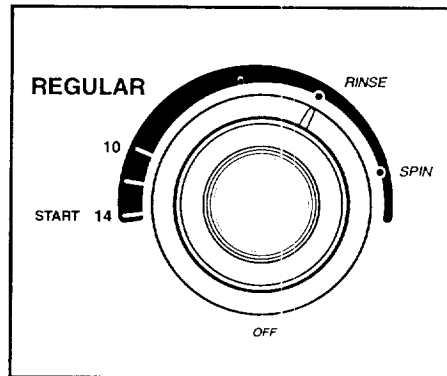


RINSE AND SPIN

When using extra detergent for heavily soiled clothes, or washing special-care items, you may find an extra rinse and spin is needed.

STEP 1. Set the Cycle Selector Control (Timer) Knob at RINSE.

STEP 2. Pull Cycle Selector Control (Timer) Knob out to start washer.

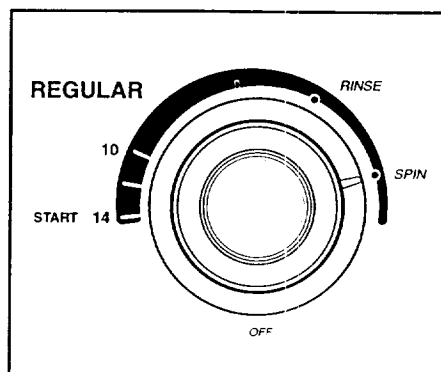


SPIN ONLY

A drain and spin may help shorten drying times for some heavy fabrics or special-care items by removing excess water.

STEP 1. Set the Cycle Selector Control (Timer) Knob at SPIN.

STEP 2. Pull the Cycle Selector Control (Timer) Knob out to start washer.



UNDERSTANDING NORMAL WASHER SOUNDS

Your new washer may make sounds that your old one didn't. Because the sounds are unfamiliar, you may be concerned about them.

The following describes some of the normal sounds you may hear and what causes them.

During Drain

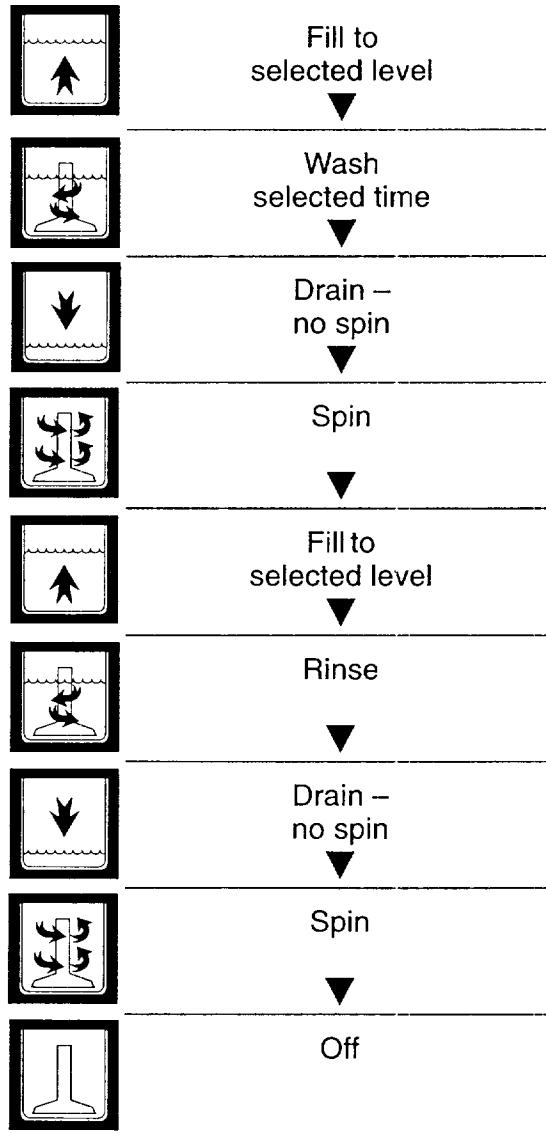
The rate that water is drained from your washer depends on your installation. If water is drained quickly from the washer, you may hear air being pulled through the pump. This happens during the end of draining.

After Drain and Before Spin

When the cycle changes from draining to spinning, you may hear a noise as the gearcase shifts.

UNDERSTANDING WHAT HAPPENS DURING THE WASHER CYCLE

REGULAR



OPERATION

CARING FOR YOUR WASHER

CLEANING YOUR WASHER

Proper care of your washer can extend its life. This section explains how to care for your washer properly and safely.

Exterior

Wipe up detergent, bleach and other spills with a soft, damp cloth or sponge as they occur. Occasionally wipe the outside of the washer to keep it looking like new.

Do not put sharp or metal objects in your washer. They can damage the finish. Check all pockets for pins, clips, money, bolts, nuts, etc. Do not lay these objects on your washer after emptying pockets.

Interior

Clean interior with 1 cup of chlorine bleach mixed with 2 cups of detergent. Run washer through a complete cycle. Repeat process if necessary.

NOTE: Remove hard water deposits using only cleaners labeled as washer safe.

WINTER STORAGE OR MOVING CARE

Install and store your washer where it will not freeze. Because some water may stay in the hoses, freezing can damage your washer. If storing or moving your washer during freezing weather winterize it.

To winterize washer:

1. Shut off both water faucets.
2. Disconnect and drain water inlet hoses.
3. Put 1 quart of R.V.-type antifreeze in the basket.
4. Run washer on a SPIN setting for about 30 seconds to mix the antifreeze and water. Some of the mixture will pump out while the washer spins.
5. Unplug the power supply cord.

To use washer again:

1. Flush water pipes and hoses.
2. Reconnect water inlet hoses.
3. Turn on both water faucets.
4. Reconnect power supply cord.
5. Run the washer through a complete cycle with 1 cup of detergent to clean out antifreeze.

NON-USE OR VACATION CARE

Operate your washer only when you are at home. If you will be on vacation or not using your washer for an extended period of time, you should:

- Unplug the power supply cord or turn off electrical power to the washer.
- Turn off the water supply to the washer. This helps avoid accidental flooding (due to a water pressure surge) while you are away.

TROUBLESHOOTING

Most laundering problems are easily solved if you understand the cause. Check these lists for common laundry and washer problems. If you need further assistance, see page 24.

Problem	Possible Cause	Solution
Washer Leaks	Household plumbing is leaking.	Repair plumbing.
	Fill hoses not tight.	Tighten hoses.
	Fill hose washers not properly seated.	Reseat washers.
	Drain hose not properly clamped or is off.	Clamp drain hose.
	Drain is clogged.	Remove drain clogs. Sink and standpipe must be able to handle 17 gallons of water per minute.
	Tub moved forward during unloading, causing water to deflect off of tub ring.	Ensure tub is centered before starting washer.
	Unit not level causing water to deflect off of tub ring.	Ensure front feet are installed and nuts are tightened. Level washer (p. 13).
	Load is unbalanced. Spray rinses are deflecting off of load.	Redistribute the load.
	Washer is over loaded. Fills or spray rinses are deflecting off of load.	Reduce load size.
Won't Drain/ Won't Spin/ Wet Loads	Drain hose is kinked or clogged.	Straighten or unplug hose.
	Correct operation of neutral drain.	After a wash or rinse, the washer will drain without spinning. After draining, the spinning begins.
	Lid is open.	Close the lid.
	End of drain hose more than 96 inches above floor.	Lower drain hose.
	Too much detergent – suds lock.	Use less detergent.
	Low voltage or using an extension cord.	Repair electric and do not use extension cords.
	Cold rinses.	Cold rinses are normal.

TROUBLESHOOTING

Problem	Possible Cause	Solution
Continues to Fill/ Continues to Drain/ Cycle Stuck	Drain hose is less than 39 inches above floor.	Raise the drain hose.
	Drain hose fits tightly into standpipe.	Adjust drain hose for loose fit.
Washer Makes Noise	Load is unbalanced.	Redistribute load.
	Washer is not level.	Level washer. Reset rear legs (p. 13).
	Nuts on front feet not tight.	Tighten nuts.
	Yellow shipping strap with cotter pins not completely removed.	Remove strap with cotter pins.
	Floor not strong enough to support washer.	Relocate washer.
	Rear leveling legs not set.	Set rear leveling legs.
	Gears engaging after drain and before spin.	This is normal.
	Upper part of agitator clicks during wash.	This is normal.
Won't Fill/ Won't Rinse/ Won't Agitate/ Wrong Temperature	Water inlet valve screens are plugged.	Clean screens.
	Water is turned off.	Turn on water.
	Hot and cold hoses are reversed.	Reverse hoses.
	Inlet hose is kinked.	Straighten hoses.
	Timer dial is not lined up.	Turn timer knob to the right slightly and pull to start.
	Power cord not plugged in.	Plug in power cord.

Problem	Possible Cause	Solution
Machine Stops	Power cord not plugged in.	Plug in power cord.
	No power at plug.	Repair electric.
	Fuse blown or circuit breaker open.	Repair circuit.
	Using an extension cord.	Do not use extension cords.
	Timer is not lined up.	Turn timer to the right slightly and pull to start.
	Timer knob not pulled out.	Set and pull out knob.
	Machine is overloaded.	Wash smaller loads.
Agitator Not Working	The top of the agitator moves only in one direction.	This is normal.
	The top of the agitator is loose.	This is normal.
Water Level Too Low/Not Completely Filling	The top of the agitator is much higher than the highest water level. This creates a perception of the washer not being full.	This is normal.
Tub is Crooked	Tub pulled forward when unloading.	Ensure tub is centered before starting washer.
	Tub moves.	This is normal.
	Unit not level.	Ensure front feet are installed and nuts are tightened. Level washer. Reset rear legs (p.13).
Lint on Load	Improper sorting.	Sort lint givers from lint takers and by color.
	Overloading.	Lint can be trapped in load if overloaded. Wash smaller loads.
	Paper or tissue in pockets.	Clean out pockets before washing.
	Not enough detergent.	Use enough detergent to hold lint in water.

Problem	Possible Cause	Solution
Tearing	Overloading. Improper use of washer.	Loads should move freely during wash. Wash smaller loads.
	Improper use of chlorine bleach.	Do not pour chlorine bleach directly on load. Wipe up bleach spills.
	Sharp items not removed from pockets; fasteners not fastened.	Clean out pockets before washing. Zip zippers before washing.
	Items damaged before washing.	Mend rips and broken threads in seams before washing.
Stains on Load	Improper use of fabric softener in washer or dryer.	Dilute fabric softener and add to deep rinse only.
	Iron in water (rust).	Install an iron filter.
	Under use of detergent causing soil to be redeposited.	Use enough detergent to remove soil and hold it in suspension.
	Dye transfer due to not sorting loads properly.	Sort dark clothing from whites and lights.
	Dye transfer due to not unloading washer promptly.	Unload the washer as soon as it stops.
Load is Wrinkled	Not removing load promptly.	Unload the washer as soon as it stops.
	Overloading.	Loads should move freely during wash. Wash smaller loads.
Load is Tangled/ Twisted	Overloading.	Loads should move freely during wash. Wash smaller loads.
	Clothes wrapped around agitator.	Do not wrap items around agitator.

SEARS MAINTENANCE AGREEMENT

SEARS WASHERS

We Service What We Sell

"We Service What We Sell" is our assurance you can depend on Sears for service. Your washer has added value when you consider that Sears has service units nationwide, staffed with professional technicians specifically trained on Sears appliances and having parts, tools and equipment to ensure that we meet our pledge to you... "We Service What We Sell"

Sears Maintenance Agreement

Maintain the value of your Sears Washer with a Sears Maintenance Agreement. Sears washers are designed, manufactured, and tested for years of dependable operation. Yet any modern appliance may require service from time to time.

The Sears Maintenance Agreement

- Is your way to buy tomorrow's service at today's prices.
- Eliminates repair bills resulting from normal use.
- Allows for as many service calls as required.
- Provides for service by professional Sears Trained Technicians.
- Even if you don't need repairs, the Maintenance Agreement offers an annual preventative maintenance checkup at your request!

This Maintenance Agreement does not cover original installation, reinstallation or damage resulting from external causes such as acts of abuse, theft, fire, flood, wind, lightning, freezing, power failure, power reduction, etc.

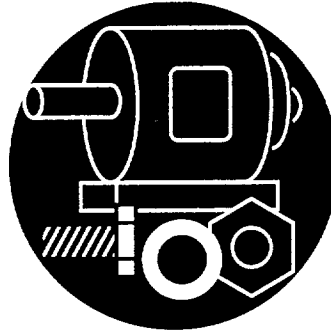
REQUESTING ASSISTANCE OR SERVICE

For the repair or replacement parts you need delivered directly to your home

Call 7 am - 7 pm, 7 days a week

1-800-366-PART

(1-800-366-7278)



For in-home major brand repair service

Call 24 hours a day, 7 days a week

1-800-4-REPAIR

(1-800-473-7247)



For the location of a Sears Parts and Repair Center in your area

Call 24 hours a day, 7 days a week

1-800-448-1222



For information on purchasing a Sears Maintenance Agreement or to inquire about an existing Agreement

Call 9 am - 5 pm, Monday - Saturday

1-800-827-6655



When requesting service or ordering parts, always give the following information:

- Product Type
- Part Number
- Model Number
- Part Description

