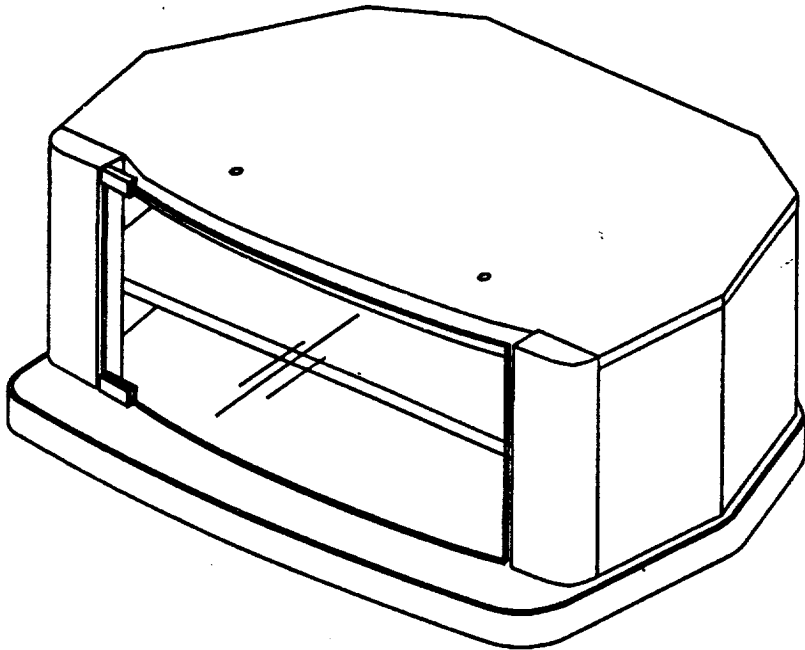


Panasonic®



Assembly Instructions **TY-27SF24M** VIDEO STAND

Important

A study of the assembly instructions will not only save you time but may prevent possible damage to your new stand. Assistance may be required for some assembly procedures.

CAUTION: THIS STAND SHOULD BE USED WITH CASTERS. IT IS ALSO DESIGNED FOR USE WITH PANASONIC TELEVISION RECEIVERS.

UL APPROVED MODELS: CT-27SF12T, CT-27SF14V, CT-27SF24V, CT-27SF34V

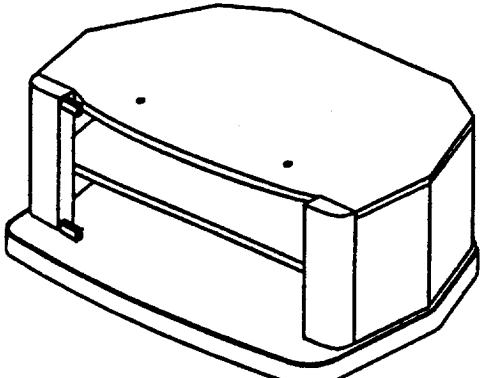
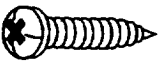
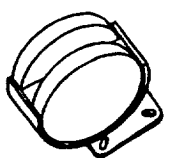



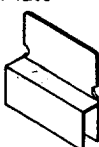
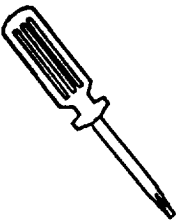
Your Pack Contains:

TOLL FREE CUSTOMER ASSISTANCE LINE

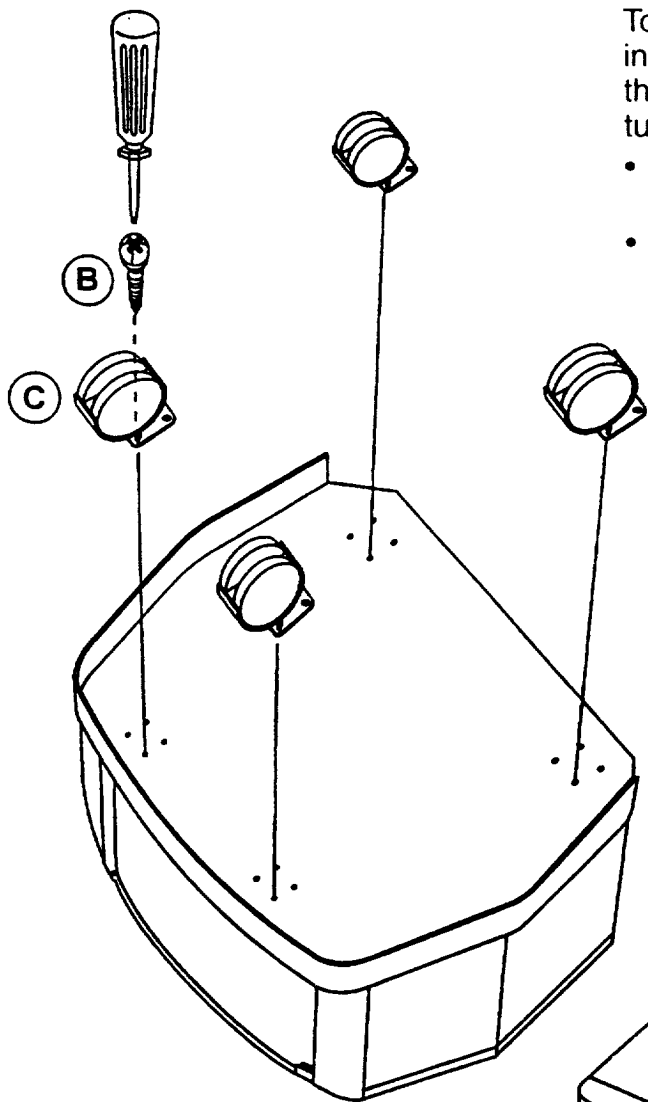
1-800-900-MICA (6422)

Monday – Thursday: 7:30 am – 4:30 pm E.S.T.

Friday: 7:30 am – 2:30 pm E.S.T.

<p>Video Stand</p> 	<p>A Screw #8 x 5/8"</p>  <p>16 Pcs. THT2Q0FB76B</p>	<p>B Caster C</p>  <p>1 Bag 4 Pcs. TBL2QA4105</p>
<p>Hinge Metal Plate Screw</p>  <p>4 pcs. 1 Bag</p>  <p>2 Pcs. TKC2Q25129</p>	<p>E Glass Door F</p>  <p>1 Pc. TKG2Q59481</p>	<p>F Touch Plate G</p>  <p>1 Pc. TKC2Q25082</p>
<p>D Tool Required:</p>  <p>Phillips Screwdriver</p>		

STEP 1



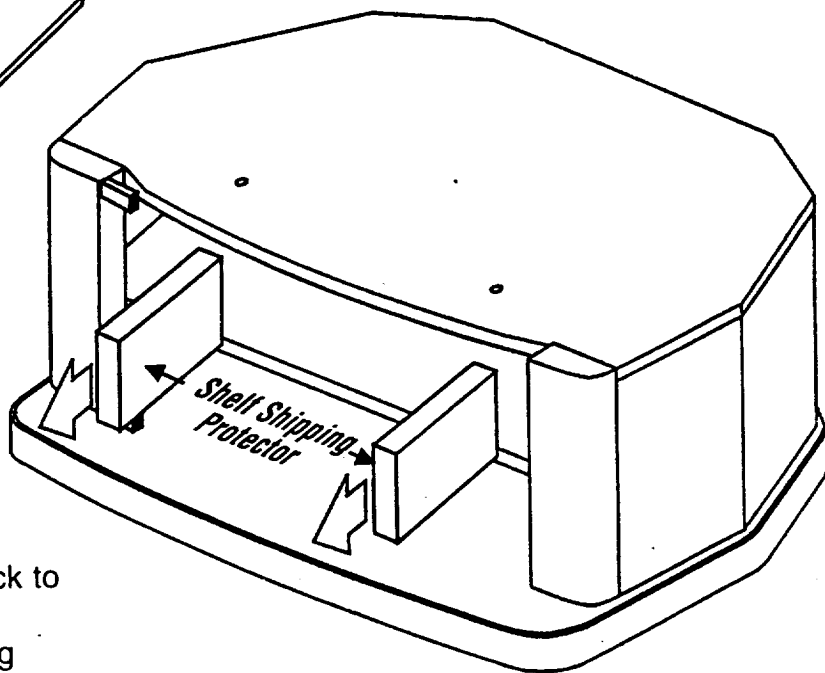
Important:

To prevent the shelf from falling out when installing the casters, it is important to keep the "shelf shipping protector" intact before turning the unit upside down.

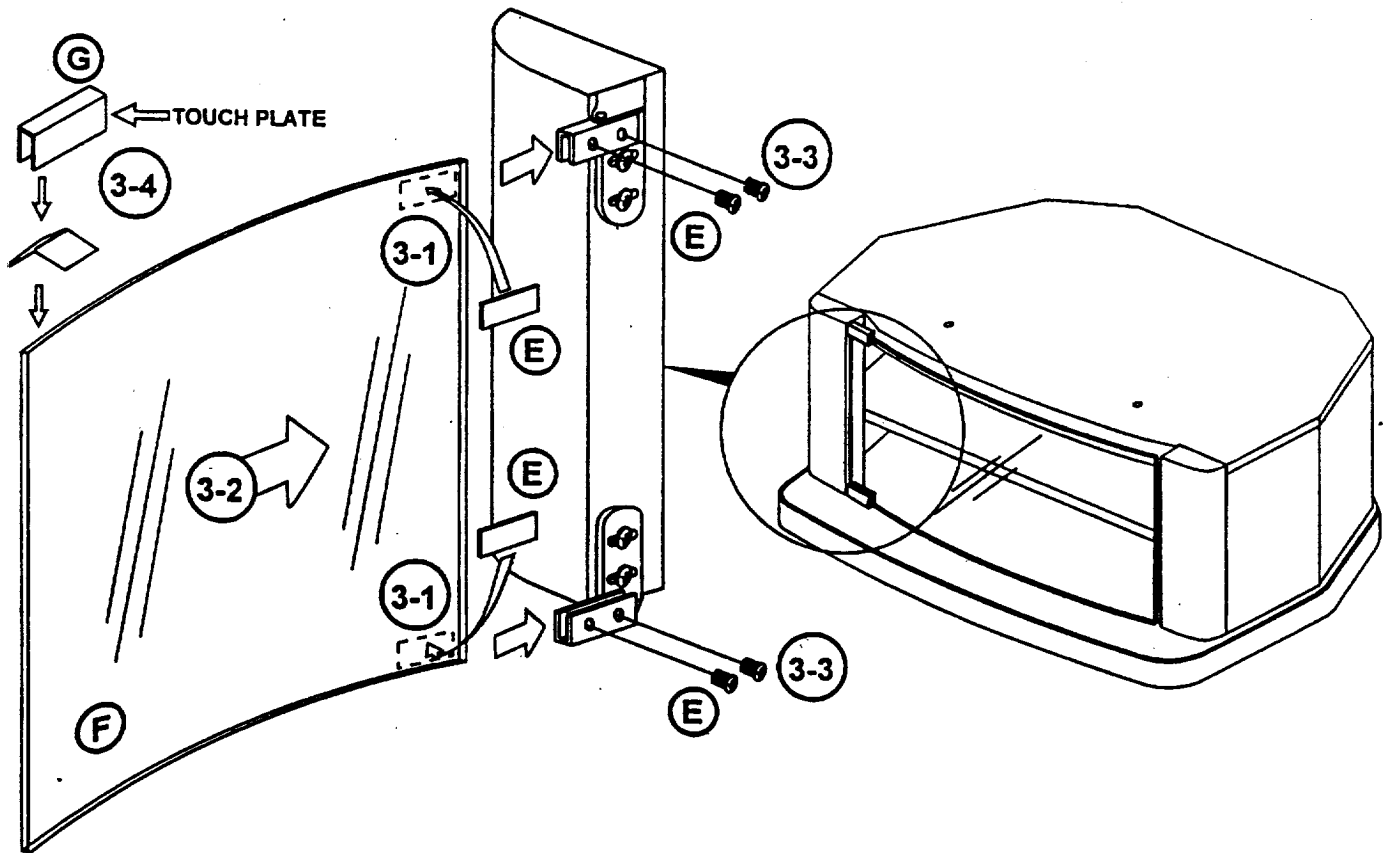
- Lay the top of the stand on a soft surface (carpet) to avoid any damage to the unit.
- Install casters (C) to pre-drilled holes as shown, using screws (B).

STEP 2

- Turn the TV stand back to the upright position.
- Remove shelf shipping protectors.



STEP 3 Glass Door Installation

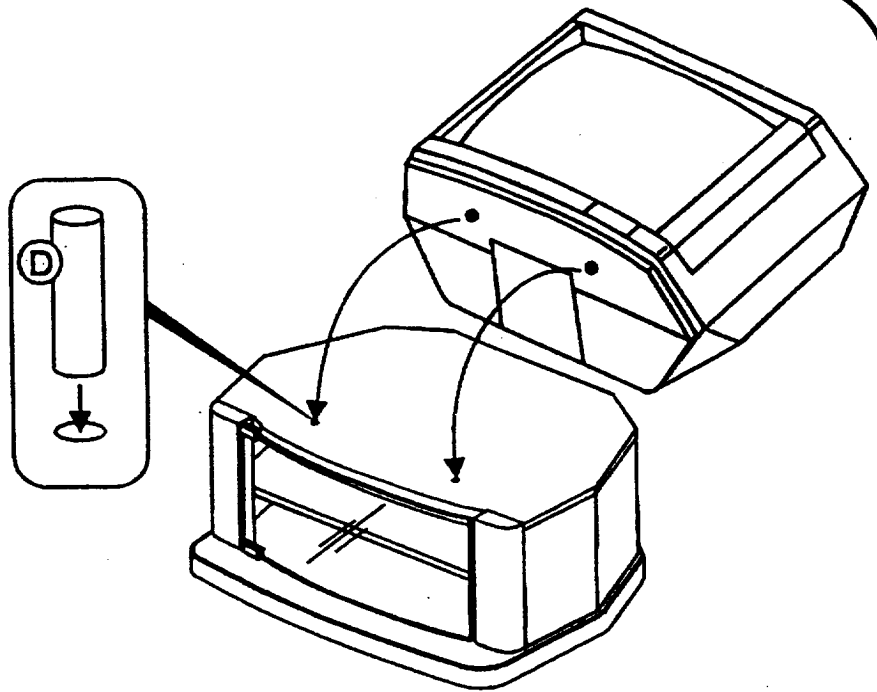


- 3-1 • Apply hinge metal plates (E) to the glass door (F) on the inside curvature of the glass as shown.
- 3-2 • Slide the glass door (F) into the top and bottom hinges.
- 3-3 • Tighten the screws to fit against the hinge metal plates (E).
- 3-4 • Remove protective liner from rubber pad and fold over door as shown. Slide touch plate (G) over rubber pad.


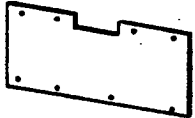



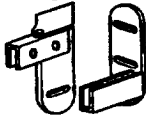

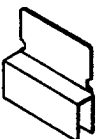




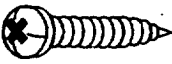

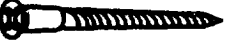
Note: The glass door can be levelled by loosening the hinge metal screws (E).

STEP 4

- Insert pins ① as shown.
- Place television set on the stand making sure the holes on the bottom of the television line up with the pins on the stand.



Replacement Parts

Glass Door  TKG2Q59481	Rear Cover  TKD2Q17376-1	Shelf  TKD2Q13365	Shelf Pin  TKC2Q25036	Caster  TBL2QA4105
Door Hinge  TKC2Q25077-2	Hinge Metal Plate Screw  TKC2Q25129	Touch Plate  TKC2Q25082	Pin  TKC2Q25094	Magnetic Latch  TKC2Q25080
Screw with Washer #6 x 5/8 in.  THT2Q3JB98B	Screw #6 x 5/8 in.  THT2Q07B99B	Screw #6 x 3/4 in.  THT2Q0KC128B	Screw #8 x 5/8 in.  THT2Q0FB76B	Screw #8 x 1-15/16 in.  TKC2Q25069-1

To maintain appearance we recommend the following:

- For Painted Surfaces:** Use a damp cloth for cleaning. Do not use any abrasive or chemical based cleaners.
- Vinyl:** Vinyl does not need polishing and is remarkably resistant to almost any stain.
- **Scuff Marks:** Most scratches and scuffs can be removed with fine steel wool and furniture wax.
 - **Stains:** A sponge, dipped in warm, soapy water and used to wipe lightly over vinyl will remove most stains.
- NOTE:** As with all indoor furniture, this unit should not be exposed to direct sunlight, extreme temperatures or moisture, as this can result in serious irreparable damage.

For improvement purposes, design and specifications are subject to change without notice.

When making a part(s) inquiry, please quote part number and description.

For parts inquiries or for out of warranty purchases:

PANASONIC SERVICES COMPANY

20421 84th Avenue South, Kent, Washington 98032 • Tel.: 1-800-833-9626 • Fax: 1-800-237-9080

© 1997 Matsushita Electric Industrial Co., Ltd. • All rights reserved. Unauthorized copying and distribution is a violation of law.