

# CCD-TR44/TR330/TR330PK

## SERVICE MANUAL

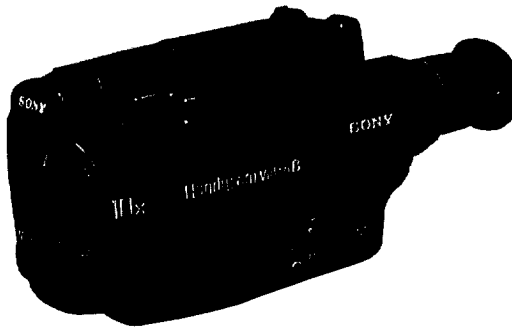


PHOTO : CCD-TR330

*US Model*  
CCD-TR44

*E Model*  
CCD-TR330/TR330PK

*Hong Kong Model*  
*Tourist Model*  
CCD-TR330

**Video8**  
**Handycam**

**B MECHANISM**

For MECHANISM ADJUSTMENT, refer to the "8mm Video MECHANICAL ADJUSTMENT MANUAL VII" (9-973-801-11).

### SPECIFICATIONS

#### Video Camera Recorder System

##### Video recording system

Two rotary heads, Helical scanning, FM system

##### Audio recording system

Rotary heads, FM system

##### Video signal

NTSC color, EIA standards

##### Usable cassette

8 mm video format cassette (standard 8 mm)

##### Tape speed

SP mode: Approx.  $1\frac{1}{32}$  inch

(1.43 cm)/second

LP mode: Approx.  $\frac{5}{16}$  inch (0.72 cm)/second

##### Recording/Playback time

SP mode: 2 hours (P6-120)

LP mode: 4 hours (P6-120)

##### Fastforward/rewind time

Approx. 5 min. (P6-120)

##### Image device

CCD (Charge Coupled Device)

##### Viewfinder

Electronic viewfinder,

Black and white

##### Lens

10 x, Combined power zoom lens, F1.6 - 2.7, Filter diameter  $1\frac{1}{2}$  inches (37 mm), TTL

autofocus system inner focus wide macro system

##### Focal distance

$f = \frac{1}{4} - 2\frac{1}{2}$  inches (6.3 - 63 mm)

$1\frac{13}{16} - 17\frac{3}{4}$  inches (45 - 450 mm) when converted to a 35 mm still camera

##### Colour temperature

Auto

##### Minimum illumination

0.6 lx at F 1.6

##### Illumination range

0.6 to 100,000 lx

##### Recommended illumination

More than 100 lx

##### Input and Output connectors

##### Video output

Phono jack, 1 Vp-p, 75  $\Omega$ ,

unbalanced, sync negative

##### Audio output

Monaural, Phono jack, 327 mV,

(at load impedance 47 k $\Omega$ ),

impedance less than 2.2 k $\Omega$

##### RFU DC OUT

Special minijack, DC 5 V

##### LANC jack

Stereo-mini-mini-jack ( $\phi$  2.5 mm)

##### MIC jack

Mini-jack, 0.388 mV, low impedance with 2.5 to 3 V DC,

output impedance 6.8 k $\Omega$  ( $\phi$

3.5 mm)

##### General

##### Power requirements

On battery mounting surface 6.0 V (battery pack), 7.5 V (AC power adaptor)

##### Average power consumption

3.6 W

##### Installation

Vertically, Horizontally

##### Operating temperature

32°F to 104°F (0°C to 40°C)

##### Storage temperature

-4°F to +140°F (-20°C to

+60°C)

##### Dimensions

Approx.  $4\frac{3}{8} \times 4\frac{1}{8} \times 8$  inches

(110 x 103 x 202 mm) (w/h/d)

##### Mass

Approx. 1 lb 8 oz (690 g)

Excluding the battery pack, lithium battery, cassette and shoulder strap

Approx. 2 lb (910 g)

Including the battery pack NP-

33, lithium battery CR2025,

cassette P6-120 and shoulder strap

Microphone

##### Supplied accessories

Electret condenser microphone, monaural type

See page 2.

See page 2.

See page 2.

See page 2.

See page 2.

See page 2.

See page 2.

See page 2.

See page 2.

See page 2.

See page 2.

See page 2.

See page 2.

See page 2.

See page 2.

See page 2.

See page 2.

See page 2.

See page 2.

See page 2.

See page 2.

See page 2.

See page 2.

See page 2.

See page 2.

See page 2.

See page 2.

See page 2.



**8** VIDEO CAMERA RECORDER  
**SONY**

— Continued on next page —

## Using the Manual

The instructions in this manual are for CCD-TR44.

As you read through this manual, buttons and settings on the camcorder are shown in capital letter. e.g. Set the POWER switch to CAMERA.

Contents of the recording cannot be compensated if recording or playback is not made due to a malfunction of the camcorder, video tape, etc.

## Getting Started

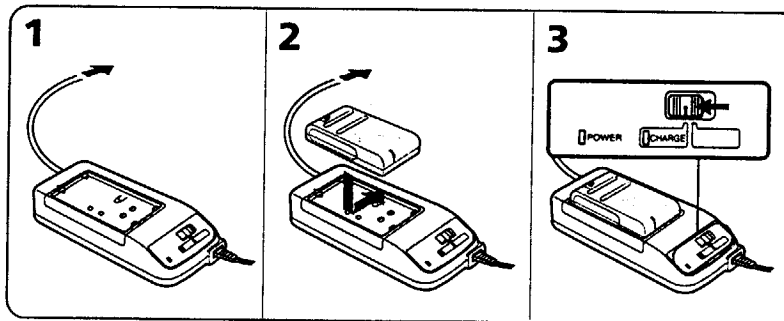
### Charging and Installing the Battery Pack

Before using your camcorder, you first need to charge and install the battery pack. To charge the battery pack, use the supplied AC-V15 AC power adaptor.

#### Charging the Battery Pack

Charge the battery pack on a flat place without vibration.

- (1) Connect the AC power adaptor to the wall outlet.
- (2) Align the right side of the battery pack with the line on the AC power adaptor, then slide the battery pack in the direction of the arrow.
- (3) Set the selector to CHARGE. The CHARGE lamp (orange) lights up. Charging begins. When charging is completed, the CHARGE lamp goes out. Unplug the unit from the mains, and then remove the battery pack and install it on the camcorder.



Using the Manual/Charging and Installing the Battery Pack

#### Charging Time

Battery pack	NP-33 (supplied)	NP-98/98D	NP-80/80D	NP-68	NP-C65	NP-60D
Charging time*	60	215	190	125	105	90

\* Approximate minutes to charge an empty pack using the AC-V15 (Lower temperatures require a longer charging time.)

#### Battery Life

Battery pack	NP-33 (supplied)	NP-98/98D	NP-80/80D	NP-68	NP-C65	NP-60D
Typical recording time*	40	150	135	90	70	60
Continuous recording time**	75	270	240	165	130	115

\*\* Approximate minutes when recording while you repeat recording start/stop, zooming and turning the power on/off. The actual battery life may be shorter.

\*\*\* Approximate continuous recording time indoors.

## SECTION 1 GENERAL

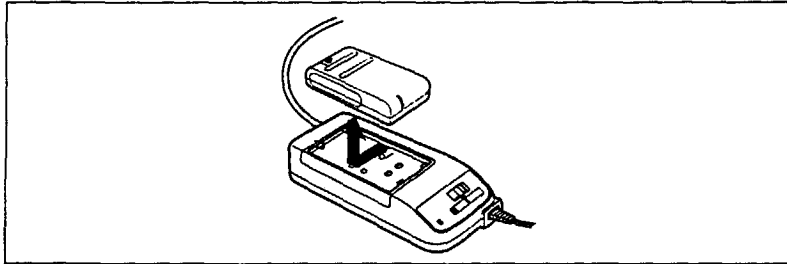
# CCD-TR44/TR330/TR330PK

This section is extracted from instruction manual of CCD-TR44.

## Charging and Installing the Battery Pack

### Removing the Battery Pack

Slide the battery pack in the direction of the arrow.



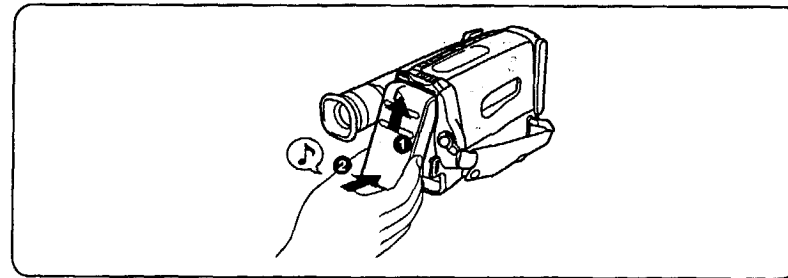
#### Notes on charging the battery pack

- The POWER lamp will remain lit for a while even if the battery pack is removed and the power cord is unplugged after charging the battery pack. This is normal.
- If the POWER lamp does not light, set the selector to VTR (DC OUT) and disconnect the power cord. After about one minute, reconnect the AC power cord and set the selector to CHARGE again.
- You cannot operate the camcorder using the AC power adaptor while charging the battery pack.

### Installing the Battery Pack

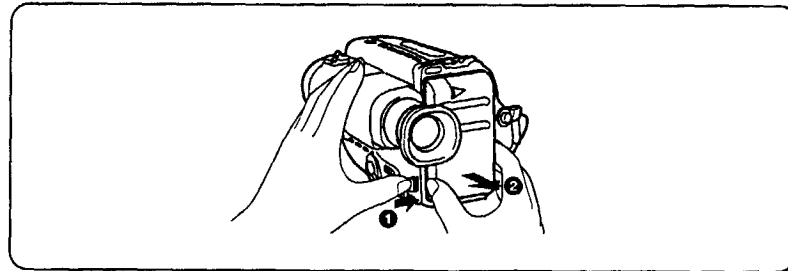
- (1) Insert the top of the battery pack into the top of the battery mounting surface.
- (2) Push the battery pack so that it attaches firmly.

♪: You can hear the beep sound to confirm your operation.



### Removing the Battery Pack

Slide BATT, and then pull the lower part of the battery pack.

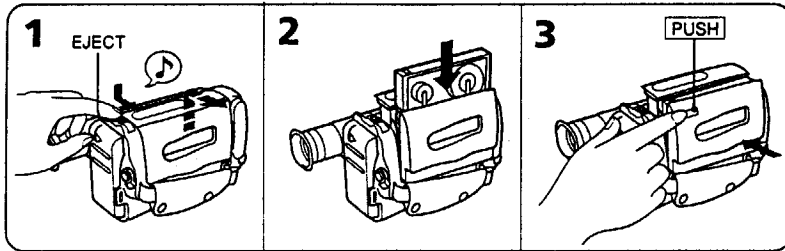


## Inserting a Cassette

Make sure that a power source is installed.

- (1) While pressing the small blue button, slide EJECT in the direction of the arrow. The cassette compartment automatically opens.
- (2) Insert a cassette (not supplied) with the window facing out.
- (3) Press the PUSH mark on the cassette compartment to close it. The cassette compartment automatically closes.

♪: You can hear the beep sound to confirm your operation.



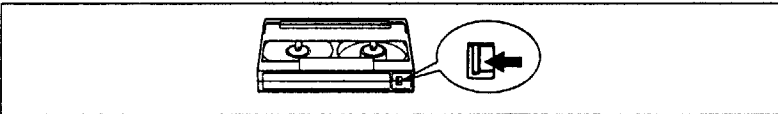
### To Eject the Cassette

While pressing the small blue button, slide EJECT in the direction of the arrow.

### To Prevent Accidental Erasure

Slide the tab on the cassette to expose the red mark.

If you insert the cassette with the red mark exposed and close the cassette compartment, the beeps sound for a while. If you try to record with the red mark exposed, the and indicators flash in the viewfinder, and you cannot record on the tape. To re-record on this tape, slide the tab back out to cover the red mark.



## Basic Operations

### Camera Recording

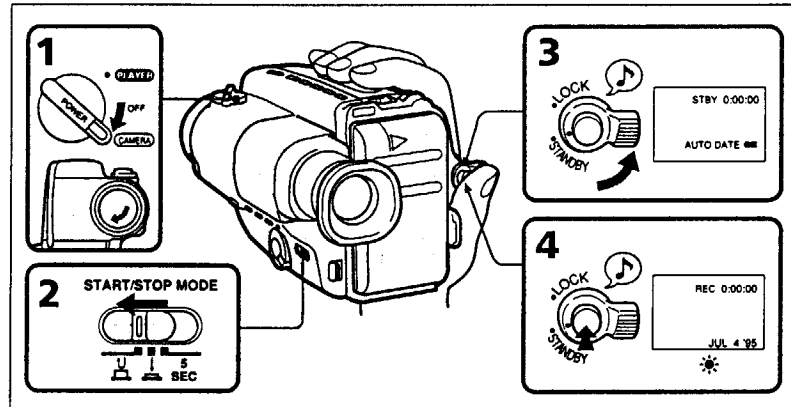
Make sure that a power source and a cassette is inserted.

When you use the camcorder for the first time, power on it and reset the date and time to your time (p. 31) before you start recording. When you reset the date and time, the date is automatically recorded for 10 seconds after you start recording (AUTO DATE feature). This feature works only once a day. Before you record one-time events, you may want to make a trial recording to make sure that you are using the camcorder correctly.

- (1) While pressing the small green button on the POWER switch, turn it to CAMERA.
- (2) Slide the START/STOP MODE switch to .
- (3) Turn STANDBY up. The "STBY" indicator appears in the viewfinder.
- (4) Press START/STOP (red button). The camcorder starts recording and the "STBY" indicator changes to the "REC" indicator.

You can also select Recording mode, SP (standard play) mode or LP (long play) mode. Set REC MODE (p. 27) according to the length of your planned recording before you start.

♪: You can hear the beep sound to confirm your operation.

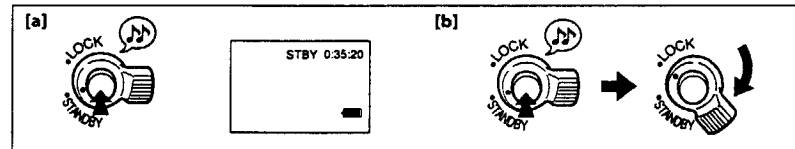


### To Stop Recording Momentarily [a]

Press START/STOP again. The "REC" indicator in the viewfinder changes to the "STBY" indicator (Standby mode).

### To Finish Recording [b]

Press START/STOP. Turn STANDBY down, and set the POWER switch to OFF. Then, eject the cassette (p. 10) and remove the battery (p. 9).



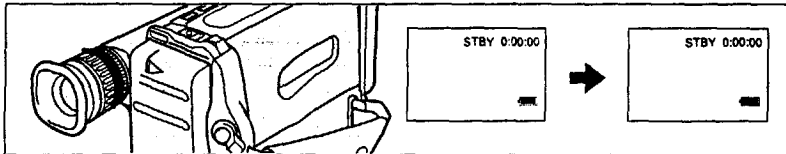
## Camera Recording

### Note on Standby mode

If you leave the camcorder for 5 minutes or more with a cassette inserted in Standby mode, the camcorder goes off automatically. This prevents wearing down the battery and wearing out the tape. To resume Standby mode, turn STANDBY down once and turn it up again. To start recording, press START/STOP.

### To Focus the Viewfinder Lens

If the viewfinder is not in focus at all or when you use the camcorder after someone else has used it, focus the viewfinder lens. Turn the viewfinder lens adjustment ring so that the indicators in the viewfinder come into sharp focus.



### Note on the indicators in the viewfinder

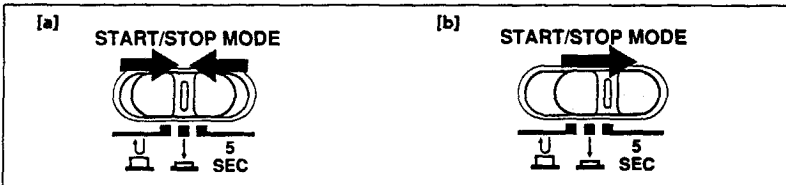
The indicators appear in CAMERA mode only. They do not appear in PLAYER mode.

### Recording with the START/STOP button depressed

You can also make recording while pressing down the START/STOP button. To make the START/STOP button work this way, slide the START/STOP MODE switch to [a].

### Shooting scenery in several short takes

You can automatically make recording for about 5 seconds with the 5 SEC (p. 25). To make the START/STOP button work this way, slide the START/STOP MODE switch to 5 SEC. [b]



### Note on recording

When you record from the beginning of the tape, run the tape for about 15 seconds before actual recording. This prevents the camcorder from missing any start-up scenes when you play back the tape.

### Notes on recording mode

- This camcorder records in the SP mode (approximately 19/32 inch (1.43 cm)/second) and in the LP mode (approximately 5/16 inch (0.72 cm)/second) (p. 27) and can play back in the SP mode and LP mode. The playback quality in the LP mode, however, will not be as good as that in the SP mode.
- When a cassette recorded on this camcorder in LP mode is played back on other types of 8 mm camcorders or VCRs, the playback quality may not be as good as that on this camcorder.

### Notes on the tape counter

- The tape counter indicates the recording time. Use it as a guide. There will be a time lag of several seconds from the actual time. To set the counter to zero, press COUNTER RESET located below the viewfinder.
- If the tape is recorded in SP and LP modes mixed, the tape counter shows incorrect recording time. When you intend to edit the tape using the tape counter, record in same (SP or LP) mode.

### Note on beep sound

As indicated with  $\mathcal{B}$  in the illustrations, a beep sounds when you turn the power on or when you start recording and two beeps sound when you stop recording, confirming the operation. Several beeps also sound as a warning of any unusual condition of the camcorder (p. 49). Note that the beep sound is not recorded on the tape. If you do not want to hear the beep sound, set BEEP to "OFF" (p. 27).

### Note on the AUTO DATE feature

The clock is set to the East Coast Standard Time at the factory. You can reset the clock (p. 31).

The AUTO DATE feature works once a day. However, the date may automatically appear more than once a day when:

- you reset the date and time.
- you eject and insert the cassette again.
- you stop recording within 10 seconds.

### When moving from indoors to outdoors (or vice versa)

Turn STANDBY up and point the camcorder at a white object for about 15 seconds so that the white balance is properly adjusted.

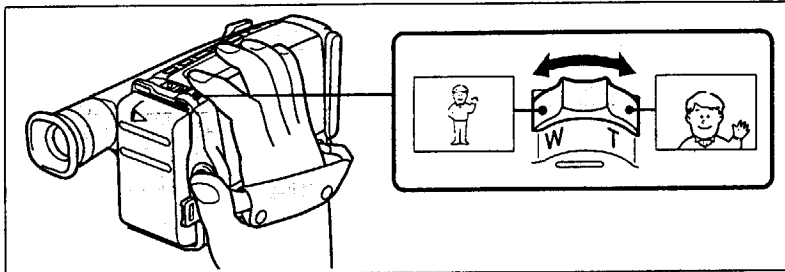
## Camera Recording

### Using the Zoom Feature

Zooming is a recording technique that lets you change the size of the subject in the scene. For more professional-looking recordings, use the zoom sparingly.

T side: for telephoto (subject appears closer)

W side: for wide-angle (subject appears farther away)



### Zooming Speed

Turn the power zoom lever fully for a high-speed zoom. Turn it lightly for a relatively slow zoom.

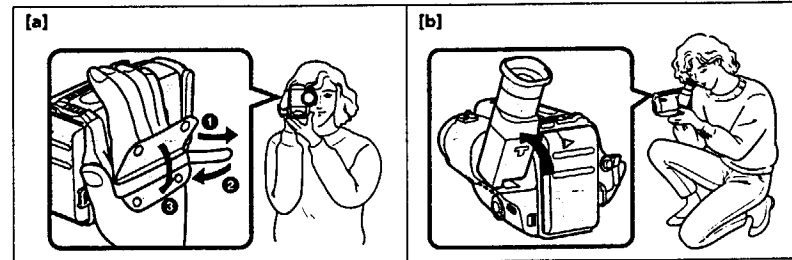
### When you shoot a subject using a telephoto zoom

If you cannot get a sharp focus while in extreme telephoto zoom, turn the power zoom lever towards the W side until the focus is sharp.

You can shoot a subject that is at least 2.6 feet (about 80 cm) away from the lens surface in the telephoto position, or 1/2 inch (about 1 cm) in the wide-angle position.

## Hints for Better Shooting

For hand-held shots, you'll get better results holding the camcorder according to the following suggestions:



- Hold the camcorder firmly and secure it with the grip strap so that you can easily manipulate the controls with your thumb. [a]
- Place your right elbow against your side.
- Place your left hand under the camcorder to support it. Do not cover the microphone with your fingers.
- Place your eye firmly against the viewfinder eyecup.
- Use the viewfinder frame as a guide to determine the horizontal plane.
- You can also record in a low position to get an interesting recording angle. Turn the viewfinder up for recording from a low position. [b]

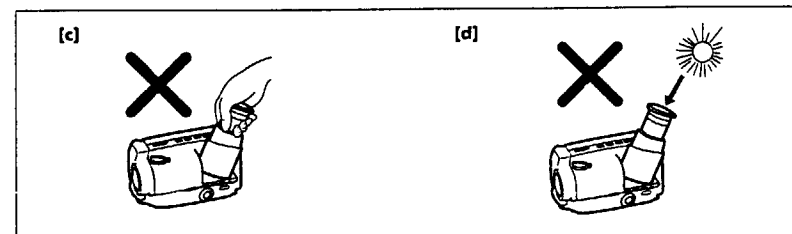
### Place the camcorder on a flat surface or use a tripod

Try placing the camcorder on a table top or any other flat surface of suitable height. If you have a tripod for a still camera, you can also use it with the camcorder (p. 45).

When attaching a non-Sony tripod, make sure the tripod screw is shorter than 9/32 inch (6.5 mm). Otherwise, the screw may damage the inner parts of the camcorder.

### Cautions on the viewfinder

- Do not pick up the camcorder by the viewfinder. [c]
- Do not place the camcorder so as to point the viewfinder toward the sun. The inside of the viewfinder may be deformed. Be careful in placing the camcorder under sunlight or by the window. [d]



## Checking the Recorded Picture

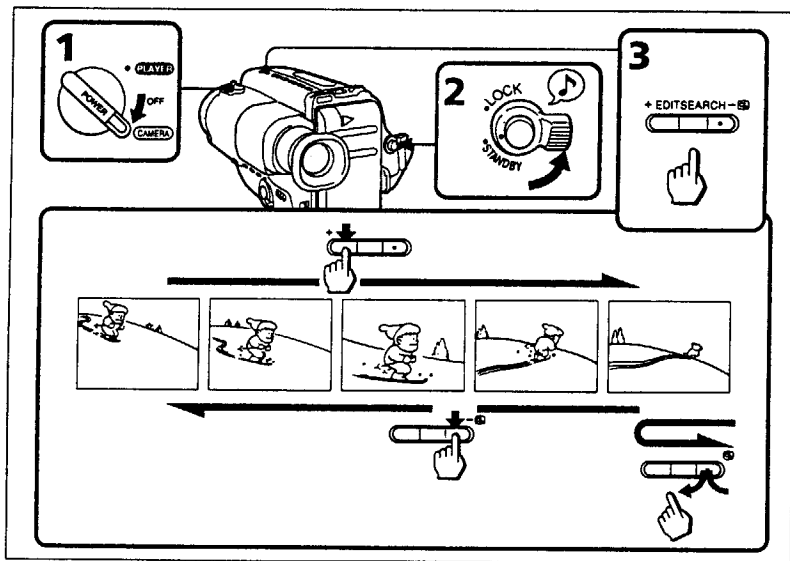
Using EDITSEARCH, you can review the last recorded scene or check the recorded picture in the viewfinder.

(1) While pressing the small green button on the POWER switch, turn it to CAMERA.

(2) Turn STANDBY up.

(3) Press EDITSEARCH. Press the - (⊖) side momentarily; the last few seconds of the recorded portion plays back (Rec Review).

Hold down the - side of EDITSEARCH until the camcorder goes back to the scene you want. The last recorded portion is played back. To go forward, hold down the + side (Editsearch).



### To Begin Re-recording

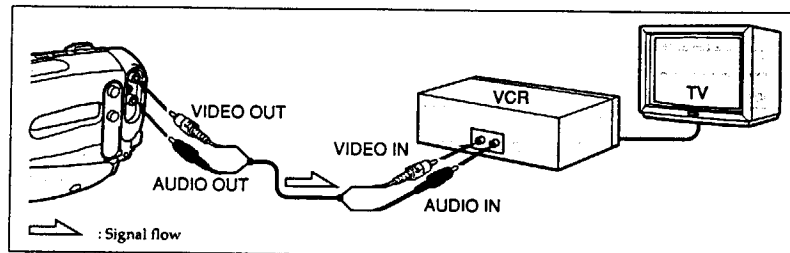
Press START/STOP. Re-recording begins from the point you released EDITSEARCH. Provided you do not eject the cassette, the transition between the last scene you recorded and the next scene you record will be smooth.

## Connections for Playback

You can use this camcorder as a VCR by connecting it to your TV for playback. It is recommended to use the house current as the power source (p. 20).

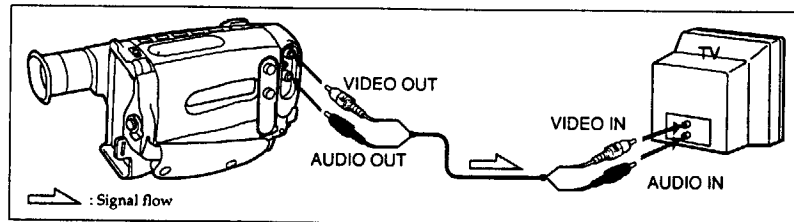
### If a VCR is connected to a TV

Connect the camcorder to LINE IN on the VCR by using the supplied A/V connecting cable. Set the input selector on the VCR to LINE. Set the TV/VCR selector to VCR on the TV.



### Connecting Directly to a TV

Connect the camcorder to your TV by using the supplied A/V connecting cable. Set the TV/VCR selector to VCR on the TV.



### To Connect a TV or a VCR without Video/Audio Input Jacks

Use the RFU-95UC RFU adaptor (not supplied).

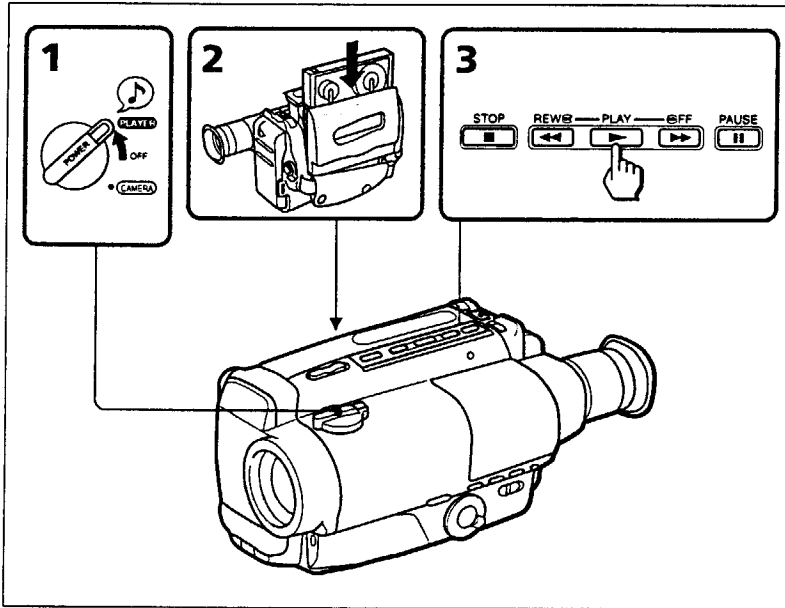
Checking the Recorded Picture/Connections for Playback

## Playing Back a Tape

You can monitor the playback picture in the viewfinder. You can also monitor on the TV screen, after connecting the camcorder to the TV/VCR (p. 17).

- (1) While pressing the small green button on the POWER switch, turn it to PLAYER.
- (2) Insert the recorded tape with the window facing out.
- (3) Press ►. Playback starts.

♪: You can hear the beep sound to confirm your operation.



- To stop playback, press ■.
- To rewind the tape, press ◀◀.
- To fast-forward the tape, press ▶▶.

### Various Playback Modes

#### To view a still picture (playback pause)

Press ■ during playback. To resume playback, press ■ or ►.

#### To locate a scene (Picture Search)

Keep pressing ◀◀ or ▶▶ during playback. To resume normal playback, release the button.

#### To monitor the high-speed picture during fastforward or rewind (Skip Scan)

Keep pressing ◀◀ while rewinding or ▶▶ while advancing the tape. To resume normal playback, press ►.

#### To view the picture in a sequence of stop-motion images

Press EDITSEARCH in playback pause mode. If you keep pressing EDITSEARCH, you can view the picture playback in the forward (+) or reverse (-) direction.

#### Notes on playback

- Streaks appear and the sound is muted in the various playback modes.
- When still picture mode lasts for 5 minutes or more, the camcorder automatically enters stop mode.



## Advanced Operations

### Using Alternative Power Sources

You can choose any of the following power sources for your camcorder: battery pack (P.7), the house current, and 12/24 V car battery. Choose the appropriate power source depending on where you want to use your camcorder.

Place	Power source	Accessory to be used
Indoors	House current	AC power adaptor AC-V15(supplied), AC-S10
Outdoor	Battery pack	Battery pack NP-33 (supplied), NP-98/98D, NP-80/80D, NP-68, NP-C65, NP-60D
In the car	12 V or 24 V car battery	DC pack DCP-77



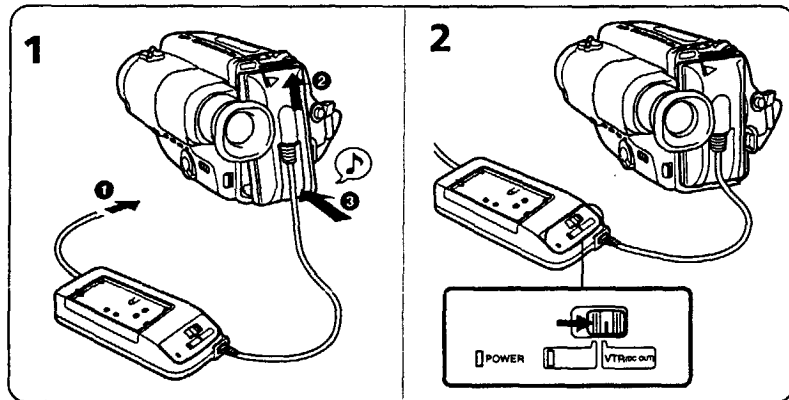
This mark indicates that this product is a genuine accessory for Sony video products. When purchasing Sony video products, Sony recommends that you purchase accessories with this "GENUINE VIDEO ACCESSORIES" mark.

#### Using the House Current

To use the supplied AC-V15 AC power adaptor:

- (1) Connect the AC power cord to a wall outlet. Insert the top of the connecting plate of the AC power adaptor into the top of the battery mounting surface. Push the connecting plate so that it attaches firmly.
- (2) Set the selector to VTR (DC OUT).

♪: You can hear the beep sound to confirm your operation.



#### WARNING

AC power cord must only be changed at qualified service shop.

#### PRECAUTIONS

The set is not disconnected from the AC power source (mains) as long as it is connected to the wall outlet, even if the set itself has been turned off.

#### Notes on the POWER lamp

- The POWER lamp will remain lit for a while even if the unit is unplugged after use. This is normal.
- If the POWER lamp does not light, set the selector to VTR (DC OUT) and disconnect the AC power cord. After about one minute, try again.

#### To remove the adaptor

The adaptor is removed in the same way as the battery pack (p. 10).

#### Using a Car Battery

Use the DCP-77 DC pack (not supplied). Connect the cord of the DC pack to the cigarette lighter socket of a car (12 V or 24 V). Connect the DC pack to the battery mounting surface of the camcorder.

#### To remove the DC pack

The DC pack is removed in the same way as the battery pack (p. 10).

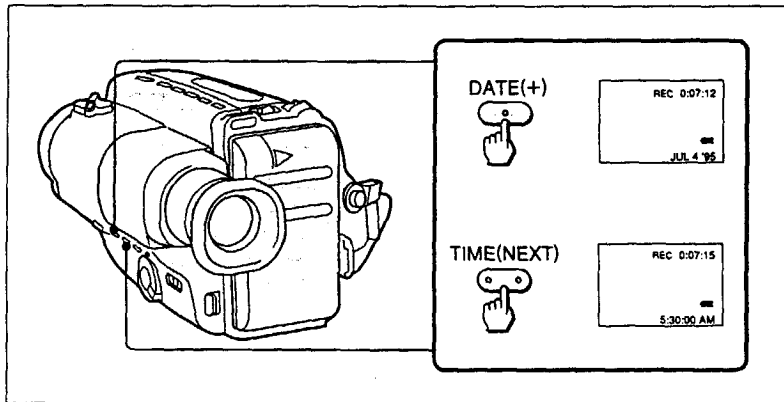
#### Options for Charging the Battery Pack

AC-S10 AC power adaptor:

You can charge a battery pack whether it is used up or not with this adaptor because it has a discharging function.

## Recording with the Date or Time

Before you start recording, press DATE or TIME. You can record the date or time displayed in the viewfinder with the picture. You cannot record the date and time at the same time. Except for the date or time indicator, no indicator in the viewfinder is recorded. The clock is set to the East Coast Standard Time at the factory.



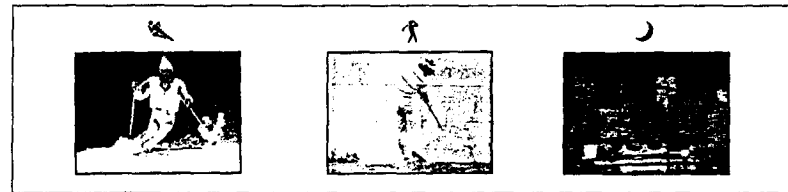
**To Stop Recording with the Date or Time**  
Press DATE or TIME again. Recording continues.

## Using the PROGRAM AE Function

You can select from three PROGRAM AE (Auto Exposure) modes to suit your shooting situation. When you use PROGRAM AE, you can capture high-speed action or night views.

### Selecting the Best Mode

Select the best mode by using the following examples.



#### Sports mode

- Outdoor sports scenes such as football, tennis, golf or skiing
- A landscape in a moving car

#### Twilight mode

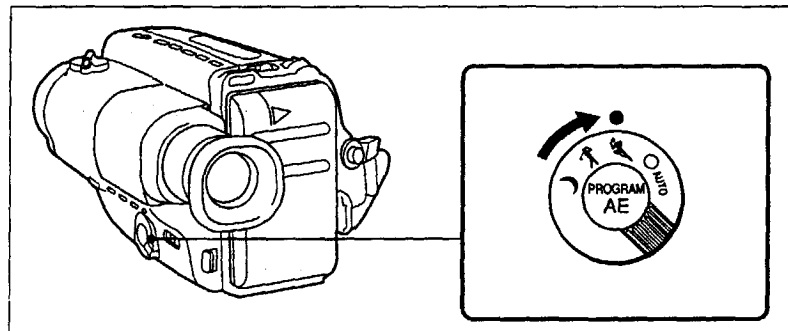
- Recording night views, neon signs or fireworks

#### High-speed shutter mode

- A golf swing or a tennis match in fine weather with the ball captured clearly
- Playing back certain scenes with high-speed movements in clear, sharp picture

### Using the PROGRAM AE Function

Set the mark of the desired mode to the ● mark above the PROGRAM AE dial.



#### Note on shutter speed

The shutter speed in each PROGRAM AE mode is as follows:

Sports mode - between 1/60 to 1/500


High-speed shutter mode - 1/4000

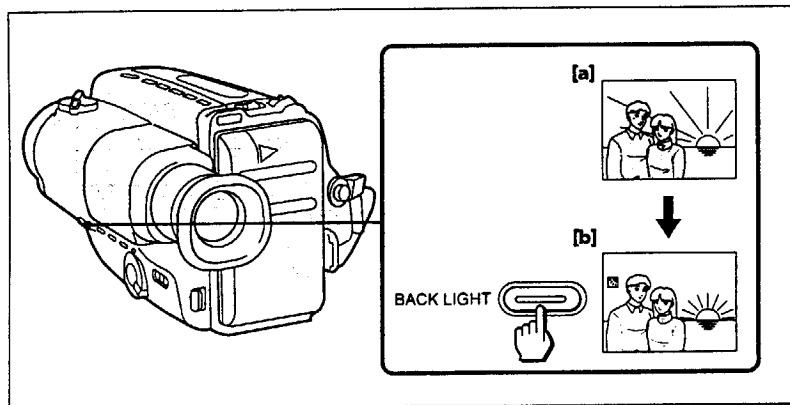
Twilight mode - 1/60

AUTO mode - 1/60

## Shooting with Backlighting

When you shoot a subject with the light source behind the subject or a subject with a light background, use the BACK LIGHT.

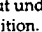
Press BACK LIGHT. The  indicator appears inside the viewfinder.



[a] Subject is too dark because of backlight.

[b] Subject becomes bright with backlight compensation.

### After Shooting

Press BACK LIGHT again to let the  indicator go out under normal lighting condition. Otherwise, the picture will be too bright under normal lighting condition.

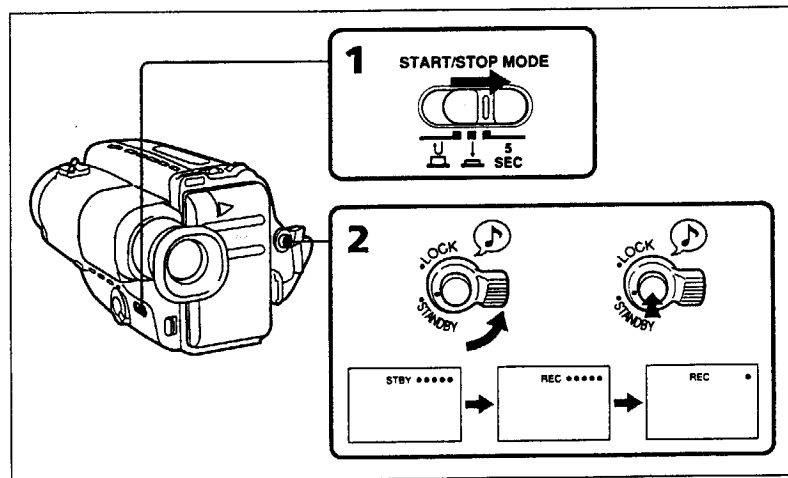
This function is also effective under following conditions:

- On the snow e.g. at the ski resort
- At the beach under strong sunshine
- A subject with a light source nearby or a mirror reflecting light
- A white subject against a white background. Especially when you shoot a person wearing shiny clothes made of silk or synthetic fiber, his or her face tends to become dark if you do not use this function.

## Shooting Scenery in Several Short Takes

Long, continuous shots of scenery tend to be dull, and have to be edited to make an interesting video. With the 5 SEC (5-second recording) mode, the camcorder records for about 5 seconds and then switches to Standby mode, so that you will automatically take a series of quick shots resulting in a lively video.


(1) Slide the START/STOP MODE switch to 5 SEC.  
 (2) Turn STANDBY up and press START/STOP. Recording starts. Five dots appears in the viewfinder. The dots disappear at a rate of one per second. When five seconds elapse and all the dots disappear, the camcorder switches to Standby mode automatically.



### To Extend the Recording Time

Press START/STOP again before all the dots disappear. Recording continues for about 5 seconds from the moment you press START/STOP.

### To Cancel 5-Second Recording

Slide the START/STOP MODE switch to  (normal recording). If you slide the switch while recording, recording continues.

## Superimposing a Title

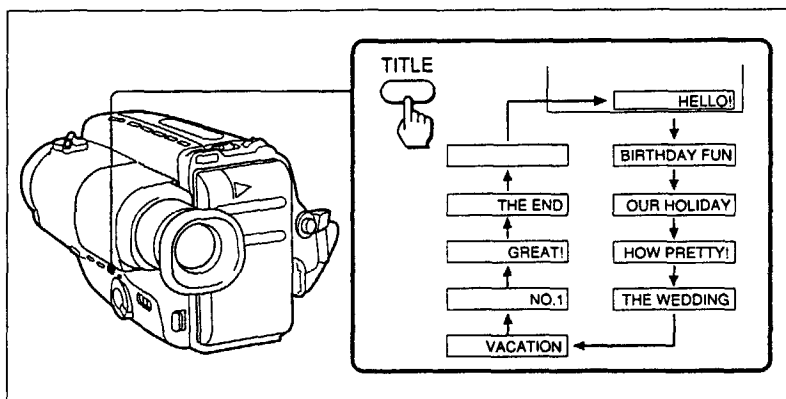
You can select from nine preset titles to superimpose it on the picture during recording. Each time you press TITLE, the preset titles appear one by one.

### To Superimpose from the Beginning

- (1) Turn the POWER switch to CAMERA.
- (2) Turn STANDBY up.
- (3) Press TITLE repeatedly until the desired title appears. The title flashes.
- (4) Press START/STOP to start recording.
- (5) Press TITLE when you want to turn off the title.

### To Superimpose On the Way of Recording

- (1) Press TITLE repeatedly until the desired title appears. The title flashes.
- (2) When the title stops flashing, press TITLE. The title disappears.
- (3) Press START/STOP to start recording.
- (4) Press TITLE when you want to superimpose the title.
- (5) Press TITLE when you want to turn off the title.

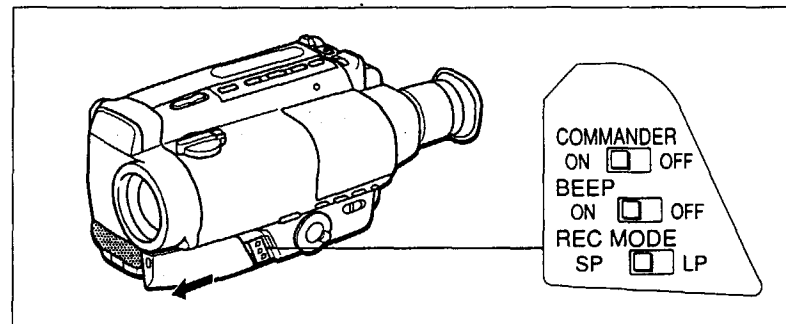


**Note on selecting a title**  
You cannot select a title during recording.

## Changing the Mode Settings

You can change the mode settings to further enjoy the features and functions.

- (1) Slide the cover to the left. You will find the mode switches.
- (2) Set the mode switches to the desired mode.
- (3) Close the cover.



### Selecting the Mode Setting of Each Item

#### COMMANDER <ON/OFF>

- Set to ON when using a Remote Commander (not supplied).  
The Remote Commanders are available on option.
- Set to OFF when not using a Remote Commander for the camcorder.

#### BEEP <ON/OFF>

- Set to ON to turn the beep sound on.
- Set to OFF to turn the beep sound off.

#### REC MODE <SP/LP>

- Select SP to record a tape in SP (standard play) mode.
- Select LP to record a tape in LP (long play) mode.

## Editing onto Another Tape

You can create your own video program by editing with any other 8 mm, Hi8 Hi8, VHS, S-VHS S-VHS, VHS-C VHSC, S-VHS-C S-VHSC, Hi8 Betamax or ED Betamax VCR that has video/audio inputs.

After connecting the camcorder to the VCR,

- (1) Turn the POWER switch to PLAYER.
- (2) Insert a blank tape (or a tape you want to record over) into the recording VCR. Then insert your recorded tape into the camcorder.
- (3) Play back the recorded tape on the camcorder until you locate the point where you want to start editing. Then set the camcorder to playback pause mode.
- (4) Set the recording VCR to recording pause mode.
- (5) Press **II** on the camcorder and VCR simultaneously to start editing.

### To Edit More Scenes

Repeat steps 3 to 5.

### To Stop Editing


Press **■** STOP on the camcorder and VCR.

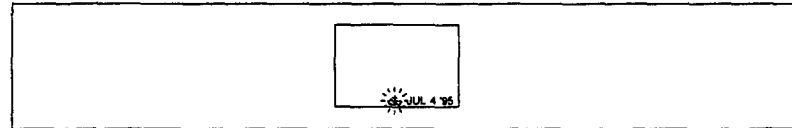
### Use of the EDITSEARCH button

To play back a tape in the forward or reverse direction keep pressing EDITSEARCH during playback pause. You can play back still pictures successively at specific intervals by pressing EDITSEARCH intermittently.

## Additional Information

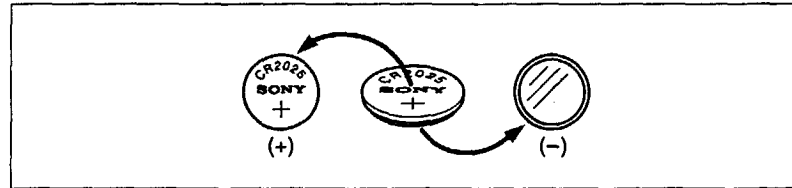
### Changing the Lithium Battery In the Camcorder

Your camcorder is supplied with the lithium battery installed. The lithium battery lasts for about 1 year under normal operation. When the battery becomes weak or dead,  indicator flashes in the viewfinder for about 5 seconds when you set the POWER switch to CAMERA. In this case, replace the battery with the Sony CR2025 or Duracell DL-2025 lithium battery. Use of another battery may present a risk of fire or explosion.



### Note on Lithium Battery

Note that the lithium battery has a positive (+) and a negative (-) terminals as illustrated. Be sure to install the lithium battery so that terminals on the battery match the terminals on the camcorder.



### WARNING

The battery may explode if mistreated. Do not recharge, disassemble, or dispose of in fire.

### Caution

Keep the lithium battery out of the reach of children. Should the battery be swallowed, consult a doctor immediately.



## Playback Modes

The playback mode is selected automatically according to the recording system (SP/LP mode) in which the tape was recorded.

### Foreign 8 mm video

You cannot play software recorded on a different TV color system. Because the TV color systems differ from country to country, you may not be able to play back foreign pre-recorded software. Refer to page 39 to check the TV color system of foreign countries.

## Tips for Using the Battery Pack

This section shows you how you can get the most out of your battery pack.

### Preparing the Battery Pack

#### Always Carry Additional Batteries

Have sufficient battery pack power to do 2 to 3 times as much recording as you have planned.

#### Battery Life is Shorter in Cold Environment

Battery efficiency is decreased and the battery will be used up more quickly if you are recording in cold environment.

#### To Save Battery Power

Turn the STANDBY switch on the camcorder down when not recording to save battery power. [a] on page 33.

A smooth transition between scenes can be made even if recording is stopped and started again. While positioning the subject, selecting an angle, or looking through the viewfinder lens, the lens moves automatically and the battery is used. The battery is also used when a cassette is inserted or removed.

### When to Replace the Battery

While you are using your camcorder in CAMERA mode, the remaining battery indicator decreases gradually as battery power is used up.



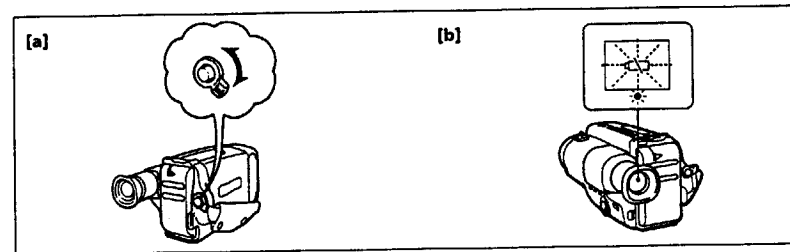
## Tips for Using the Battery Pack

When the remaining battery indicator reaches the lowest point, the  $\infty$  indicator appears and starts flashing in the viewfinder. [b]

When the  $\infty$  indicator in the viewfinder changes from slow flashing to rapid flashing while you are recording, turn the POWER switch to OFF on the camcorder and replace the battery pack. Leave the tape in the camcorder to obtain smooth transition between scenes after the battery is replaced.

### Note on the remaining battery indicator

The remaining battery indicator of the camcorder may indicate a different remaining capacity from that of the battery pack with the remaining battery indicator (not supplied). The indicator of the battery pack is more accurate.



## Notes on the Rechargeable Battery Pack

### Caution

Never leave the battery pack in temperatures above 140 °F (60 °C), such as in a car parked in the sun or under direct sunlight.

### The Battery Heats Up

During charging or recording, the battery pack heats up. This is caused by energy that has been generated and a chemical change that has occurred inside the battery pack. This is not cause for concern.

### Battery Pack Care

- Remove the battery pack from the camcorder after using the battery pack, and keep it in a cool place. When the battery pack is attached to the camcorder, a small amount of current flows to the camcorder even if the POWER switch is set to OFF, which shortens battery life.
- The battery pack is always discharging even when it is not in use after charging. Therefore, you should charge the battery right before using the camcorder.

### How to Use the Switch on the Battery Pack

When the switch is supplied with the battery pack ([c] on p. 34) you can use it to find whether the battery pack is charged or not. Set the switch to the "no mark" position when charging is completed. Set the switch to the "red mark" position when the battery is used up (or in whichever direction you want to remind yourself).

### The Life of the Battery Pack

If the  $\infty$  indicator flashes rapidly just after turning on the camcorder with a fully charged battery pack, the battery pack should be replaced with a new fully charged one.

## Tips for Using the Battery Pack

### Charging Temperature

You should charge batteries at temperatures from 50°F to 86°F (from 10°C to 30°C). Lower temperatures require a longer charging time.

### Sony Batteries are Recommended

Use of non-Sony batteries may damage your Handycam camcorder.

### Notes on Charging

#### A Brand-new Battery

A brand-new battery pack is not charged. Before using the battery pack, charge it completely.

#### After Long Storage

Recharge the battery pack after a long period of storage. If the battery pack is charged fully but not used for a long time (about 1 year), it becomes discharged. Charge it again, but in this case the battery life will be shorter than normal. After several charging and discharging cycles, the battery life will recover its original capacity.

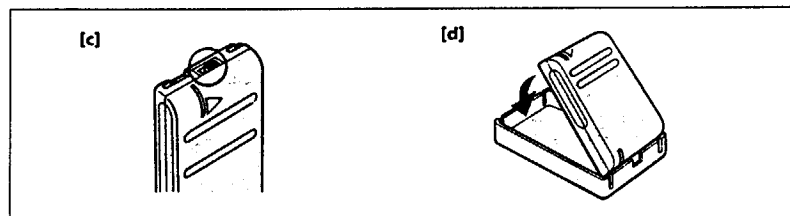
### Notes on the Terminals

If the terminals (metal parts on the back) are not clean, the battery charge duration will be shortened.

When the terminals are not clean or when the battery pack has not been used for a long time, repeat installing and removing the battery pack a few times. This improves the contact condition. Also, wipe the + and - terminals with a soft cloth or paper.

### Be Sure to Observe the Following

- To prevent an accident caused by a short circuit, do not allow metal objects such as a necklace to touch the battery terminals. Carry the battery pack attaching to the terminal cover. [d]
- Keep the battery pack away from fire.
- Keep the battery pack dry.
- Do not open nor convert the battery pack.
- Do not expose the battery pack to any mechanical shock.





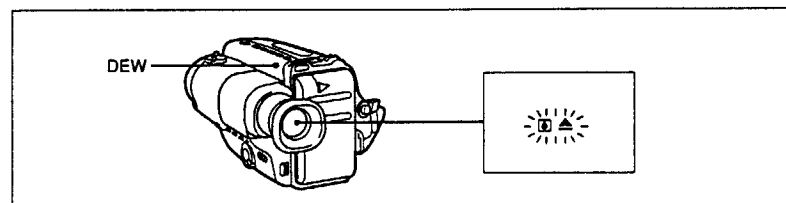
## Maintenance Information and Precautions

### Moisture Condensation

If the camcorder is brought directly from a cold place to a warm place, moisture may condense inside the camcorder, on the surface of the tape, or on the lens. If this happens, the tape may stick to the head drum and be damaged or the camcorder may not operate correctly. To prevent possible damage under these circumstances, the camcorder is furnished with moisture sensors. However, take the following precautions.

#### Inside the Camcorder

If there is moisture inside the camcorder, the beep sounds and the  indicator or the DEW lamp flashes. If this happens, none of the function except cassette ejection will work. Open the cassette compartment, turn off the camcorder, and leave it about 1 hour. When  indicator flashes at the same time, the cassette is inserted in the camcorder. Eject the cassette, turn off the camcorder, and leave also the cassette about 1 hour.



#### On the Lens

No indicator will appear, but the picture becomes dim. Turn off the power and do not use the camcorder for about 1 hour.

#### How to Prevent Moisture Condensation


When bringing the camcorder from a cold place to a warm place, put the camcorder in a plastic bag and allow it to adapt to room conditions over a period of time.

- (1) Be sure to tightly seal the plastic bag containing the camcorder.
- (2) Remove the bag when the air temperature inside it has reached the temperature surrounding it (after about 1 hour).



## Maintenance Information and Precautions

### Video Head Cleaning

To ensure clear pictures, clean the video heads. When  appears in the viewfinder in CAMERA mode or playback pictures are "noisy" or hardly visible, the video heads may be contaminated.



[a] Slight contamination

[b] Critical contamination

If this happens, clean the video heads with the Sony V8-25CLH cleaning cassette (not supplied). After checking the picture, if it is still "noisy", repeat the cleaning. (Do not repeat cleaning more than 5 times.)

#### Caution

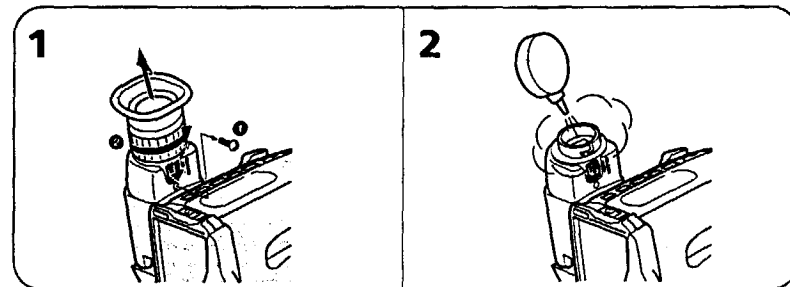
Do not use a commercially available wet-type cleaning cassette. It may damage the video heads.

#### Note


If the V8-25CLH cleaning cassette is not available in your area, consult your nearest Sony dealer.

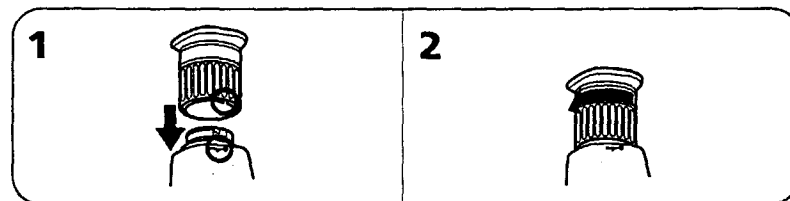
### Removing Dust from inside the Viewfinder

- (1) Remove the screw with a screwdriver (not supplied). Then, while sliding the RELEASE knob, turn the eyecup in the direction of the arrow and pull it out.
- (2) Clean the surface with a commercially available blower.



### To Reattach the Eyecup

- (1) Align the groove on the eyecup with the  mark on the barrel.
- (2) Turn the eyecup in the direction of the arrow. Then, replace the screw.



#### Caution

Do not remove any other screws. You may remove only the screw to remove the eyecup.

## Maintenance Information and Precautions

### Precautions

#### Camcorder Operation

- Operate the camcorder using 6.0 V (battery pack), or 7.5 V (AC power adaptor).
- For DC or AC operation, use only the accessories recommended in this manual.
- Should any solid object or liquid fall into the casing, unplug the camcorder and have it checked by your nearest Sony dealer before operating it any further.
- Avoid rough handling or mechanical shock. Be particularly careful of the lens.
- Keep the POWER switch set to OFF when not using the camera.
- Do not wrap up the camcorder and operate it since heat may build up internally.
- Keep the camcorder away from strong magnetic fields or mechanical vibration.

#### On Handling Tapes

Do not insert anything into the small holes on the rear of the cassette. These holes are used to sense the type, thickness of tape, or if the tab is out or in.

#### Camcorder Care

- When the camcorder is not to be used for a long time, disconnect the power source and remove the cassette. Periodically turn on the power, operate the camera and player sections and play back a tape for about 3 minutes.
- Clean the lens with a soft brush to remove dust. If there are fingerprints on the lens, remove them with a soft cloth.
- Clean the camcorder body with a soft dry cloth, or a soft cloth lightly moistened with a mild detergent solution. Do not use any type of solvent which may damage the finish.

#### AC Power Adaptor

##### Charging

- Use only for the specified battery pack. This unit cannot be used to charge a lithium ion type battery.
- Attach the battery pack firmly.
- Charge the battery pack on a flat surface without vibration.

##### Others

- Unplug the unit from the wall (mains) outlet when not in use for a long time. To disconnect the cord (mains lead), pull it out by the plug. Never pull the cord itself.
- Do not operate the unit with a damaged cord or if the unit has been dropped or damaged.
- Do not bend the AC power cord (mains lead) forcibly, or put a heavy object on it. This will damage the cord and may cause a fire or an electrical shock.
- Be sure that nothing metallic comes into contact with the metal parts of the connecting plate. If this happens, a short may occur and the unit may be damaged.
- Always keep the metal contacts clean.
- Do not disassemble the unit.
- Do not apply mechanical shock or drop the unit.
- While the unit is in use, particularly during charging, keep it away from AM receivers and video equipment because it will disturb AM reception and video operation.
- The unit becomes warm while in use. This is normal.
- Do not place the unit in locations that are:
  - Extremely hot or cold
  - Dusty or dirty
  - Very humid
  - Vibrating

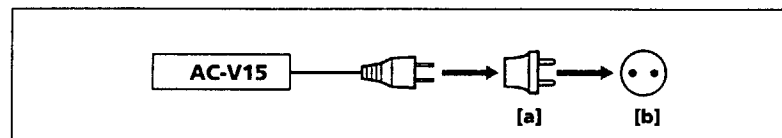
If any difficulty should arise, unplug the unit and contact your nearest Sony dealer.

## Using Your Camcorder Abroad

Each country has its own electricity and TV color systems. Before using your camcorder abroad, check the following points:

### Power Sources

You can use your camcorder in any country with the supplied AC power adaptor within 110 V to 240 V AC, 50/60 Hz. Use a commercially available AC plug adaptor [a], if necessary, depending on the design of the wall outlet [b].



### Difference in Color Systems

This camcorder is an NTSC system-based camcorder. If you want to view the playback picture on a TV, it must be an NTSC system based TV. When you want to use a PAL M system based TV, you will need an NTSC/PAL M transcoder. Check the following alphabetical list.

#### NTSC system countries

Bahama Islands, Bolivia, Canada, Central America, Chile, Colombia, Ecuador, Jamaica, Japan, Korea, Mexico, Peru, Surinam, Taiwan, the Philippines, the U.S.A., Venezuela, etc.

#### PAL system countries

Australia, Austria, Belgium, China, Denmark, Finland, Germany, Great Britain, Holland, Hong Kong, Italy, Kuwait, Malaysia, New Zealand, Norway, Portugal, Singapore, Spain, Sweden, Switzerland, Thailand, etc.

#### PAL M system country

Brazil

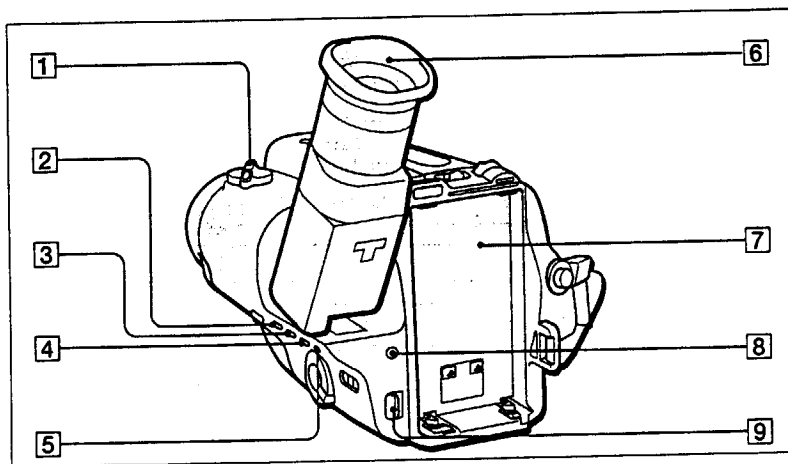
#### PAL N system countries





Argentina, Paraguay, Uruguay

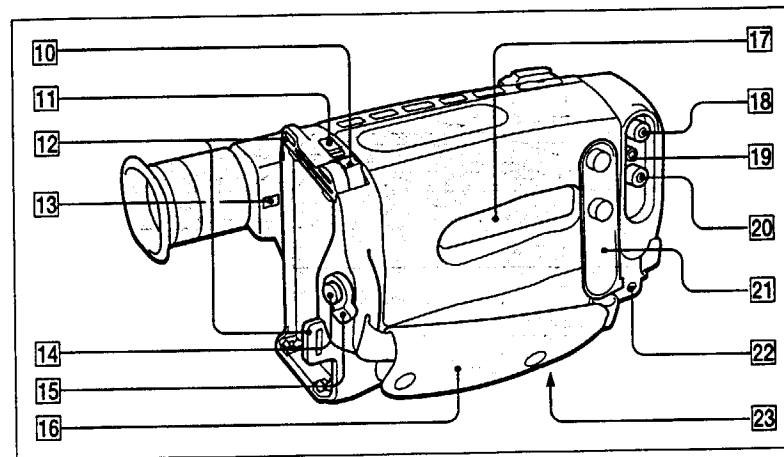
#### SECAM system countries

Bulgaria, Czech Republic, France, Guyana, Hungary, Iran, Iraq, Monaco, Poland, Russia, Slovak Republic, Ukraine, etc.

## Identifying the Parts

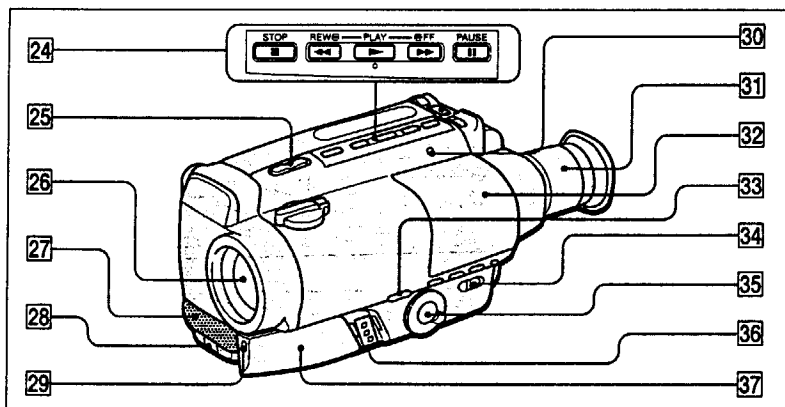


- 1 POWER switch (p. 11, 18)
- 2 DATE(+) button (p. 22, 31)
- 3 TIME(NEXT) button (p. 22, 31)
- 4 TITLE button (p. 26)
- 5 COUNTER RESET button (p. 13)
- 6 Eyecup (p. 15, 37)
- 7 Battery mounting surface (p. 9)
- 8 LANC  control jack  
Connect the LANC  connecting cable to a wired remote control unit such as an editing controller. In this case, set the COMMANDER mode to OFF (p. 27).  stands for Local Application Control Bus system. The  control jack is used for controlling the tape transport of video equipment and peripherals connected to it. This jack has the same function as the connectors indicated as CONTROL L or REMOTE.
- 9 BATT (battery) release knob (p. 9)



- 10 Power zoom lever (p. 14)
- 11 EJECT knob (p. 10)
- 12 Hooks for shoulder strap (p. 47)
- 13 Eyecup release knob (p. 37)
- 14 START/STOP button (p. 11)
- 15 STANDBY switch (p. 11)
- 16 Grip strap (p. 15)
- 17 Cassette compartment (p. 10)
- 18 VIDEO OUT jack (p. 17)
- 19 RFU DC OUT (RFU adaptor DC out) jack
- 20 AUDIO OUT jack (p. 17)
- 21 Jack cover
- 22 MIC (microphone) jack  
Connect an optional external microphone. This jack also accepts a "plug-in-power" microphone.
- 23 Tripod receptacle (p. 15)  
Attach a tripod (not supplied) here.

## Identifying the Parts



### 24 Tape transport buttons (p. 18, 19)

- STOP
- ◀ REW (rewind)
- ▶ PLAY (playback)
- ▶▶ FF (fast forward)
- || PAUSE

These buttons will function in PLAYER mode.

### 25 EDITSEARCH button (p. 16)

### 26 Lens cover

### 27 Built-in microphone

### 28 Remote sensor

Aim a Remote Commander (not supplied) here for remote control.

### 29 Camera recording/battery lamp

### 30 DEW lamp (p. 35)

### 31 Viewfinder adjustment ring (p. 12)

### 32 Viewfinder (p. 12, 37, 48)

### 33 BACK LIGHT button (p. 24)

### 34 START/STOP MODE switch (p. 11, 12, 25)

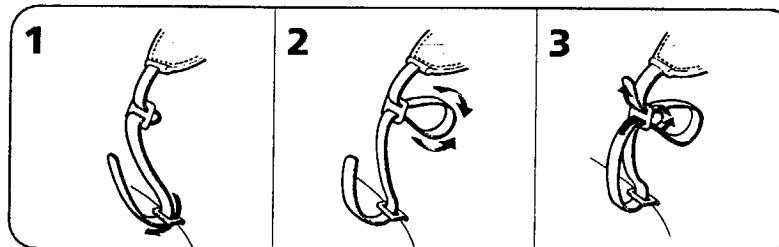
### 35 PROGRAM AE dial (p. 23)

### 36 Mode switches (p. 27)

### 37 Lithium battery compartment (p. 30)

## Attaching the shoulder strap

Attach the supplied shoulder strap to the hooks for the shoulder strap (12 on page 45).



## To Watch the Demonstration

You can watch a brief demonstration of pictures with titles.

If the demonstration appears when you turn on the camcorder for the first time, exit the Demo mode to use your camcorder.

### To enter Demo mode

- (1) Eject the cassette and turn the POWER switch to OFF.
- (2) Turn STANDBY up.
- (3) While holding down ▶ PLAY, turn the POWER switch to CAMERA. Demonstration starts. The demonstration stops when you insert the cassette.

Note that once you enter Demo mode, this mode is retained as long as the lithium battery is in place. Therefore, demonstration starts automatically 10 minutes later every time you turn the POWER switch to CAMERA, or after you eject the cassette.

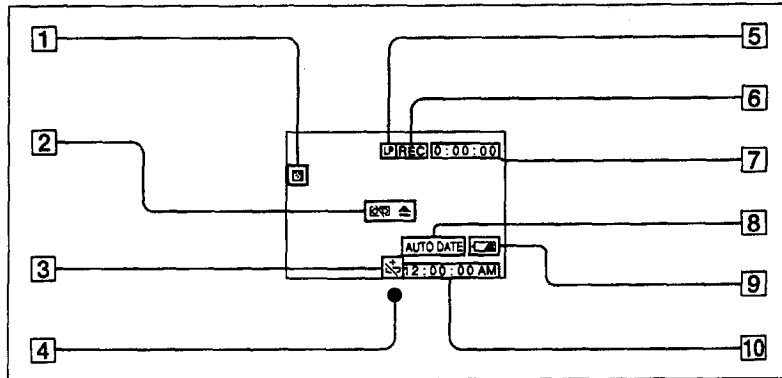
### To exit Demo mode


- (1) Turn the POWER switch to OFF.
- (2) Turn STANDBY up.
- (3) While holding down ■ STOP, turn the POWER switch to CAMERA.

## Identifying the Parts

### In the Viewfinder

The indicators appear in CAMERA mode only.

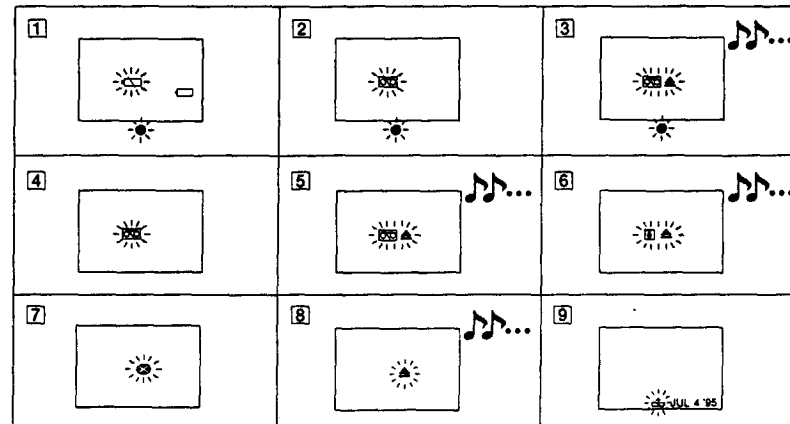


- 1 Back light indicator (p. 24)
- 2 Warning indicator (p. 49)
- 3 Lithium battery indicator (p. 29)
- 4 Recording lamp/battery lamp (p. 11)
- 5 Recording in LP mode (p. 11)
- 6 Tape transport mode (p. 11)
- 7 Tape counter (p. 13)
- 8 AUTO DATE indicator (p. 11)
- 9 Remaining battery indicator (p. 32)  

- 10 Date, Time or Title (p. 22, 26)

## Warning Indicators

All indicators appear only when you use the camcorder in CAMERA mode. If indicators flash in the viewfinder, or a caution lamp on the camcorder flashes, check the following:

♪: You can hear the beep sound when BEEP is set to ON (p. 27).



- 1 Battery Remaining  
 Slow flashing: The battery is weak.  
 Fast flashing: The battery is dead.
- 2 The tape is near the end.
- 3 The tape has run out.
- 4 No tape has been inserted.
- 5 The tab on the tape is out (red) (p. 10).
- 6 Moisture condensation has occurred (p. 35).  
 ▲ indicator appears only when the cassette is inserted.
- 7 The video heads may be contaminated (p. 36).
- 8 Some other trouble has occurred.  
 Disconnect the power source and contact your Sony dealer or local authorized facility.
- 9 The lithium battery is weak or the lithium battery is not installed (p. 29).  
 This indicator flashes just only after powering on.