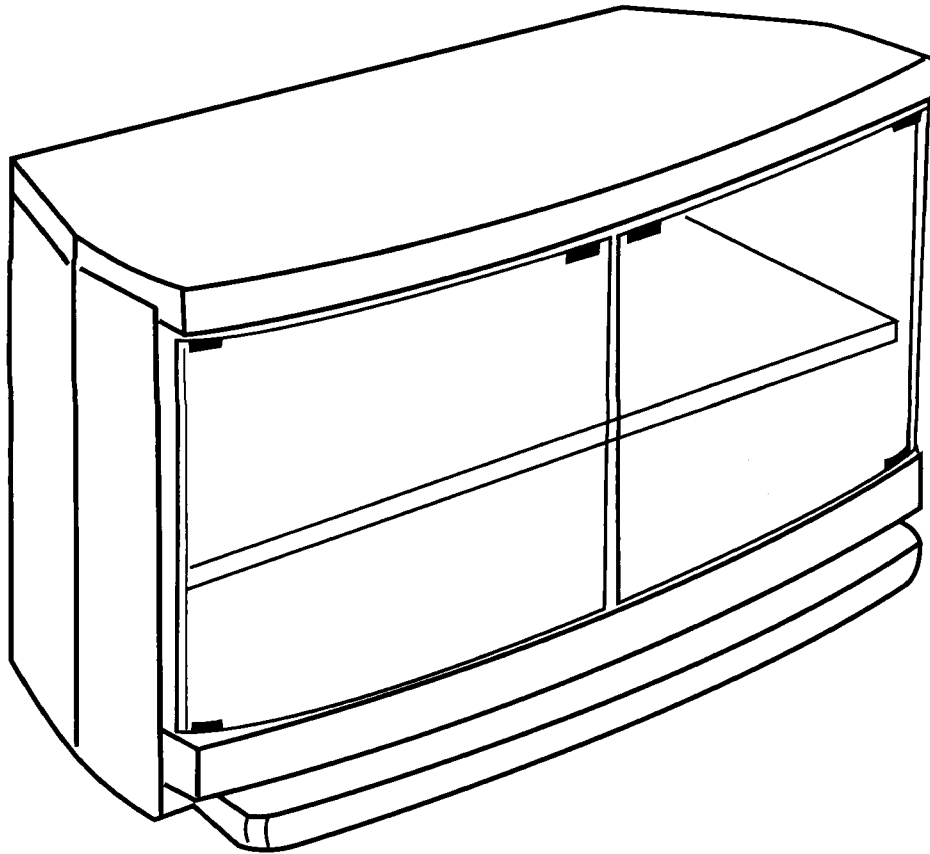
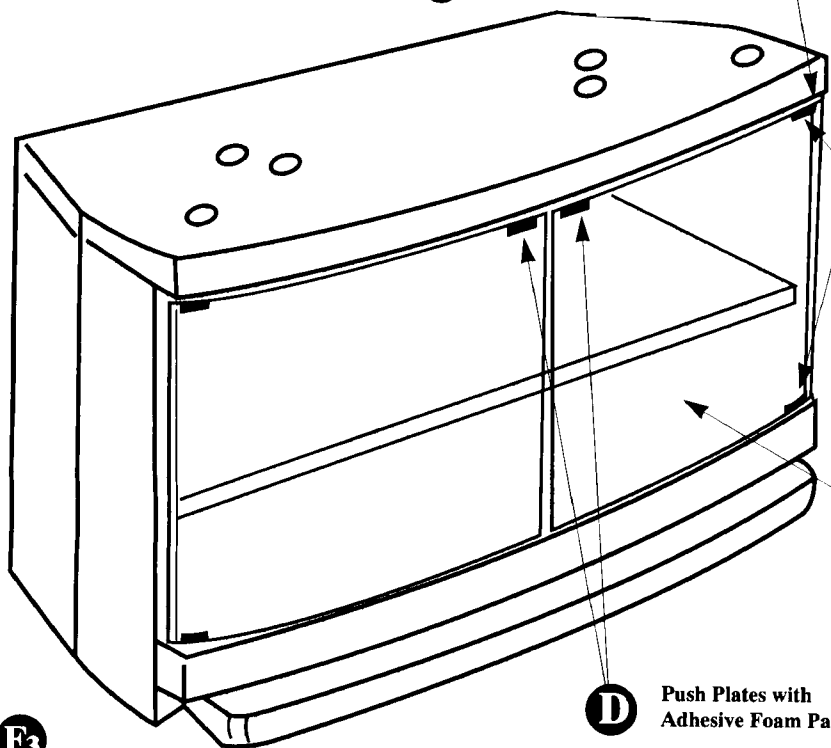
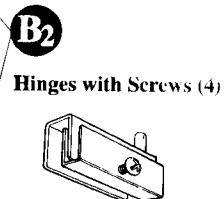
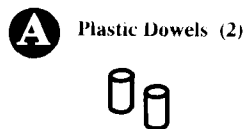
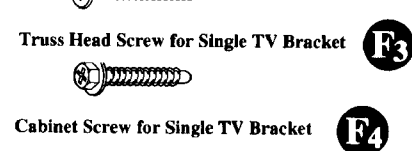
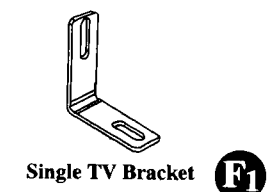
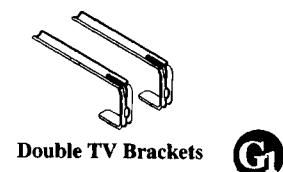
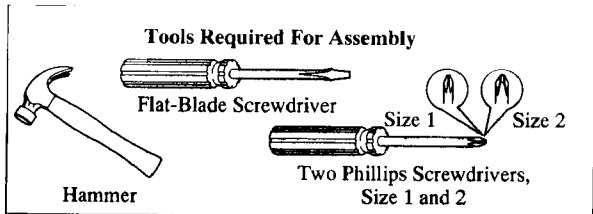


S-57 04-848

Assembly Instructions for Stand Model RB3509

The contemporary design of this stand and its companion TV models will complement the furniture in any room. The stand gives you beautiful, organized storage for your video and audio equipment.





Stand Model RB3509

Do not use this form for any other stand. It applies to model RB3509 only.

Key	Part Name	Qty Needed
A	Plastic Dowels (2)	_____
B1	Hinge Bushings (4)	_____
B2	Hinges with Screws (4)	_____
C	Glass Door (2)	_____
D	Push Plate with Pad (2)	_____
E	Magnetic Catch	1
F1	Single TV Bracket	1
F2	Wing Nut for Truss Head Screw	1
F3	#8-32 1x1/8 Truss Head Screw for Single Bracket	1
F4	Cabinet Screw for Single Bracket	1
G1	Double TV Brackets (2)	1 Pair
G2	Double TV Bracket Screws	1 Pair

If any of these parts are missing or damaged when you first open the carton, check the box next to the part that is needed. Print your name, address, phone number, and date of purchase in the blank area below. Then detach this form and mail it to:

Cabinet Factory
PO Box 208
Santa Claus, IN 47579-0208

Name: _____
Address: _____
Phone: _____
Date of Purchase: _____

Check one: Missing
 Damage
 Other(explain)

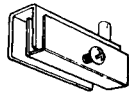
Attaching and Adjusting Glass Doors

1. Hold the glass door up next to the stand to determine where the top hinge will be attached. You will repeat steps 1 through 5 when attaching the opposite glass door.

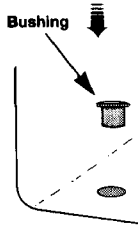
Attach hinge to top side of door with screw toward inside.



2. Partially thread one screw into each of the door hinges. Make sure the screw is inserted through the holes in both the hinge and the inside bracket. Then attach the top hinge to the upper left corner of the glass door. Gently tighten the screw until the hinge is tight against the glass. *Do not attach the bottom hinge to the door yet.*

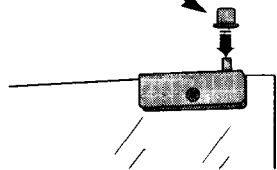


3. Place one hinge bushing into each of the two hinge holes in the stand. If the fit is snug, tap them in with a hammer.



If top bushing will not stay in top hole, place it on top hinge.

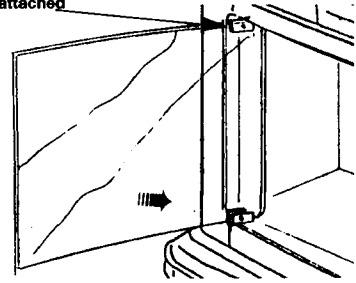
If the bushing does not fit securely in the top hole (falls out), place it on the door over the pin on the top hinge.



4. Insert the top hinge of the glass door into the top bushing. (If the bushing is resting on top of the hinge, insert the hinge and bushing into the top hole.) Insert the bottom hinge into bottom hinge bushing and hold it in place while sliding bottom of glass door into hinge. Then gently tighten bottom hinge against the glass door.

First insert top hinge (attached to glass) into top hole.

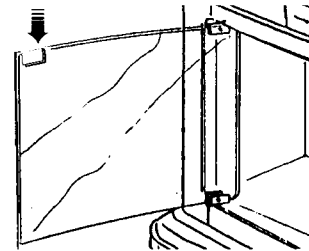
Then put bottom hinge in hole and slide glass door into the bottom hinge. Gently tighten screw.



The glass door should open and close easily without rubbing on the stand. You can adjust the position of the glass door if necessary by slightly loosening the hinge screws, moving the door, and then retightening the screws.

5. Attach push plate to top edge of door where it contacts the magnetic catch already attached to the stand. First adhere the foam pad over the top of the door, and then slide push plate over the pad.

Attach foam pad and push plate where door contacts magnetic catch.



Positioning and Securing TV on Top of Stand

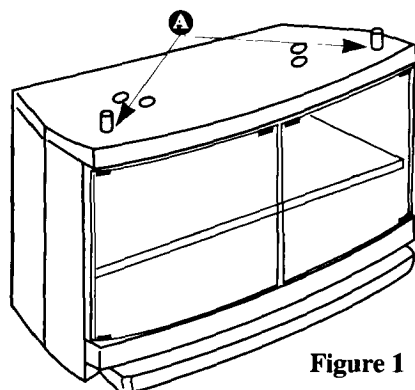
This stand is used with different styles of TV cabinets along with brackets. The TV cabinets are designed with areas on the bottom and back of the cabinet that allow for placement of the TV on the stand. Your TV model determines where the plastic dowels are placed and which brackets you will use. Follow the directions (A, B, or C) for your specific TV model. Two people are required for proper placement of the TV on the stand.

A. Follow the directions below for models:

F35672MB
F35731MB

F35751MB
F35755MB

1. Insert the two plastic dowels into the holes shown in Figure 1. Make sure the dowels are fully inserted before placing the TV on the stand.



These dowels help keep the TV in place. TV models designed for this stand have corresponding areas in the bottom of their cabinet that fit around these dowels.

Figure 1

2. Position the TV on the stand so that the molded areas on the bottom of the TV slip over the dowels. *
3. Use the double brackets as shown in Figure 2 for models:

F35731MB

F35751MB

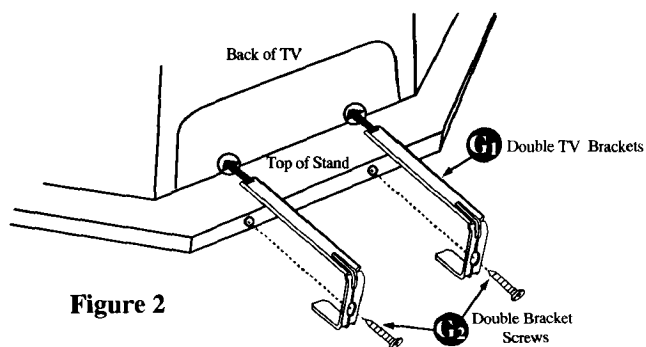


Figure 2

- a. Insert the long end of the brackets (G1) into the round holes in the back of the TV.
- b. Insert the two screws (G2) through the brackets (G1) and screw into the back of the stand.

* Step 2 requires a minimum of two adults.

Use the single bracket as shown in Figure 3 for models:

F35672MB

F35755MB

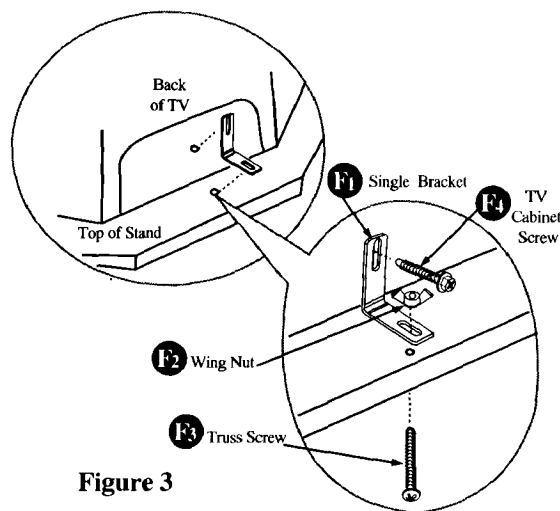


Figure 3

- a. Align the holes in the single bracket (F1) with the holes in the TV and top of the stand.
- b. Insert the cabinet screw (F4) into the top of the bracket (F1) and tighten.
- c. Insert the truss head screw (F3) into the pre-drilled hole from the bottom side of the stand and tighten with the wing nut (F2).

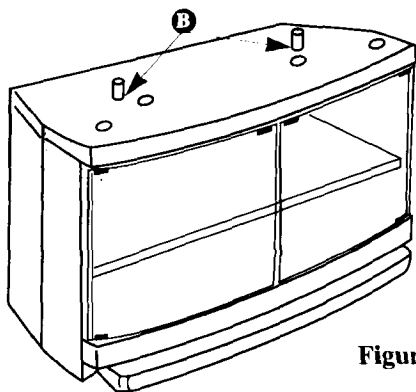
WARNING!

This stand is provided with TV locating dowels and TV mounting brackets that are designed to secure the recommended TV models to this stand. Failure to attach the recommended models as described in the assembly instructions for this stand may result in instability or tipping that may cause serious bodily injury or damage to your equipment.

B. Follow the directions below for models:

F35700SB	F35750ST	PS35122
F35720SB	35GT681	PS35152
F35730ST		PS35182

1. Insert the two plastic dowels into the holes shown in Figure 1. Make sure the dowels are fully inserted before placing the TV on the stand.



These dowels help keep the TV in place. TV models designed for this stand have corresponding areas in the bottom of their cabinet that fit around these dowels.

Figure 1

2. Position the TV on the stand so that the molded areas on the bottom of the TV slip over the dowels.*

* Step 2 requires a minimum of two adults.

3. Attach the double brackets as shown in Figure 2.

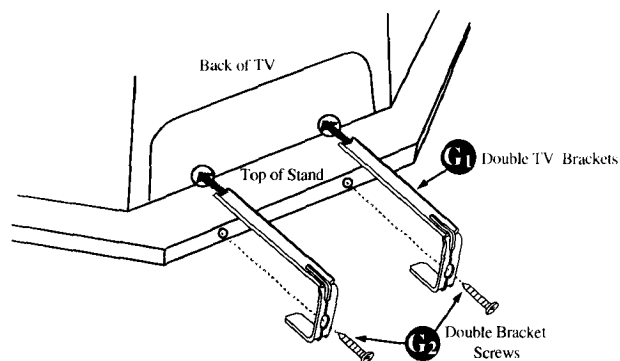


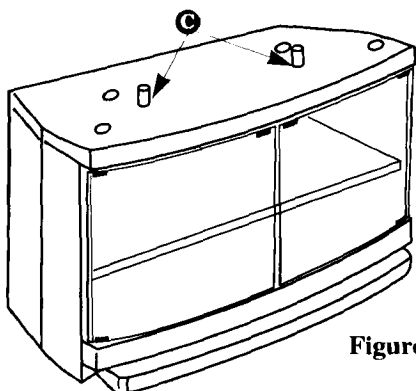
Figure 2

- a. Insert the long end of the brackets (G1) into the round holes in the back of the TV.
- b. Insert the two screws (G2) through the brackets (G1) into the pre-drilled holes in the back of the stand and tighten.

C. Follow the directions below for models:

F35673MB 35GT690

1. Insert the two plastic dowels into the holes shown in Figure 1. Make sure the dowels are fully inserted before placing the TV on the stand.



These dowels help keep the TV in place. TV models designed for this stand have corresponding areas in the bottom of their cabinet that fit around these dowels.

Figure 1

2. Position the TV on the stand so that the molded areas on the bottom of the TV slip over the dowels.*

* Step 2 requires a minimum of two adults.

3. Attach the single bracket as shown in Figure 2.

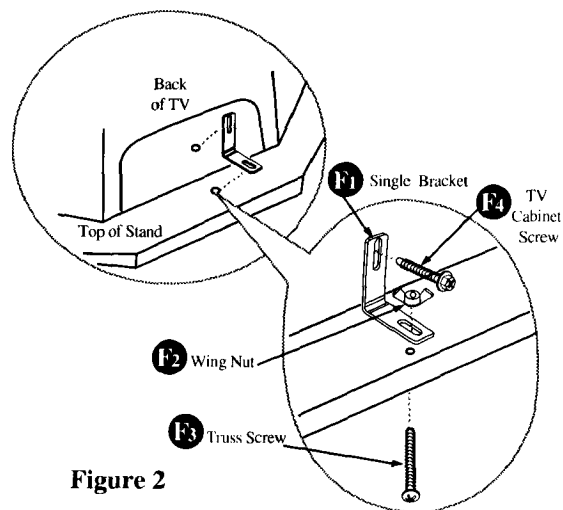


Figure 2

- a. Align the holes in the single bracket (F1) with the holes in the TV and top of the stand.
- b. Insert the cabinet screw (F4) into the top of the bracket (F1) and tighten.
- c. Insert the truss head screw (F3) into the pre-drilled hole from the bottom side of the stand and tighten with the wing nut (F2).

Additional Information About Positioning Components on Shelves

This stand is designed with ventilation openings which allow adequate ventilation for components having a total power consumption of not more than 135 watts. Total power consumption can be determined by adding together the watts of each component operating in this stand. Do not confuse the output power rating (WATTS) per channel of an amplifier with the power consumption. The power consumption of each component [given as WATTS (W)] can usually be found on the back or bottom of each unit along with the brand name and model number. Simply add the watts for each unit to get the total power consumption. If equipment is installed that uses more than 135 total watts, overheating may occur resulting in a fire hazard or damage to your equipment. You can remove the back cover for additional ventilation for components with a total power consumption of not more than 475 watts.

To ensure the best performance from your components, follow these general guidelines when arranging them on the shelves of your new stand.

- Amplifier/receivers, satellite receivers, tuners, and VCRs all generate heat during operation and require sufficient clearance to prevent overheating. Special care should be taken when arranging these components in your stand.
- An amplifier/receiver, generally produces more heat than the other components. So place it on the top shelf and be sure to leave at least the minimum clearance above it based on the following power consumption: Watts rating of the amplifier/receiver rated *less than 350 Watts - four inches*; for *350 to 650 Watts - six inches*. Leave at least two inches of clearance above all other components such as VCRs, etc.
- Do not stack an amplifier/receiver and a VCR directly on top of each other. Also do not stack other components directly on top of an amplifier/receiver, satellite receiver, or VCR.

Replacement Parts List – Model RB3509

The replacement parts listed here may be purchased from your Consumer Electronics Dealer or Premier Showcase Parts Distributor. Please consult your Yellow Pages for the name of the Dealer or Parts Distributor nearest you or call toll free in the U.S.A. 1-800-336-1900.

Key	Part Name	Stock No.
A	Dowel (2/Pkg).....	225050
B1	Hinges with Screws, (4).....	225052
Bushings (come with B1)	
C	Door, Glass	225056
D	Plate, Push w/pad	225051
E	Catch, Magnetic	218886
F1	Single TV Bracket.....	225055
F2	Wing Nut for Truss Head Screw.....	218546
F3	#8-32 1x1/8 Truss Head Screw.....	218545
F4	TV Cabinet Screw	225047
G1	Double Brackets (2/Pkg).....	225053
G2	Double Bracket Screws (2/Pkg).....	225045

Thomson Consumer Electronics
600 N Sherman Dr, PO Box 1976
Indianapolis, IN 46206-1976



Printed on recycled paper
 using soy-based ink

©1994 Thomson Consumer Electronics, Inc.
 Trademark(s)® Registered
 Marca(s) Registrada(s)
 Printed in the U.S.A.
Part Number 1Q57 326-01B