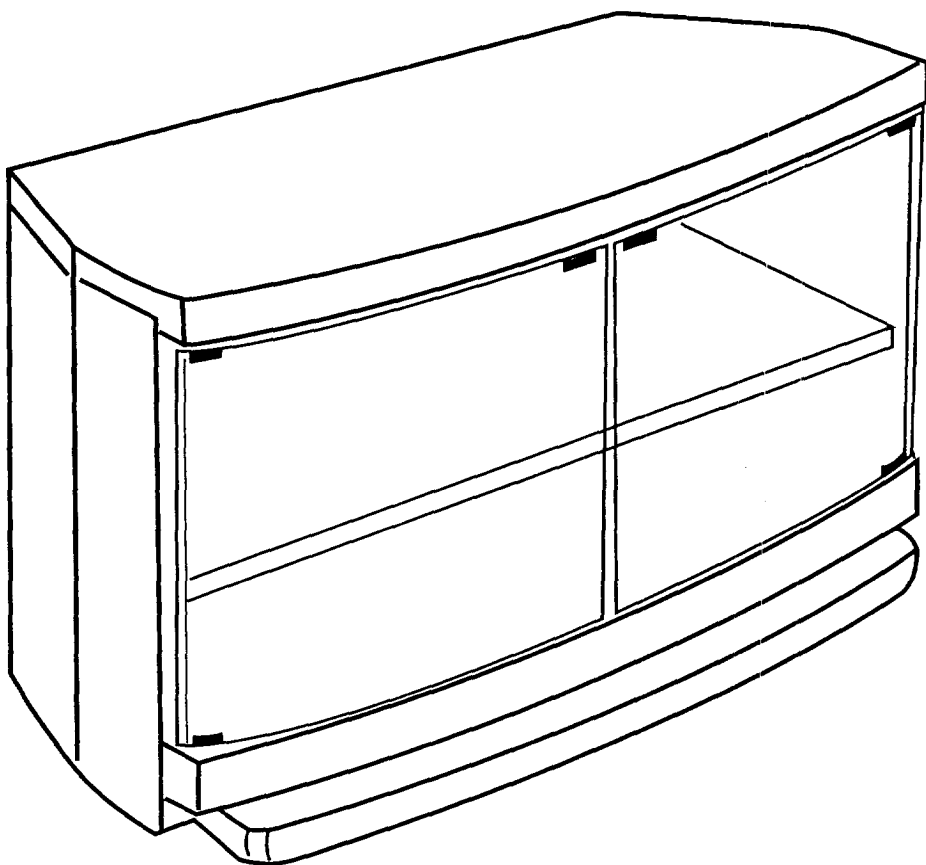


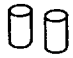

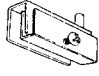
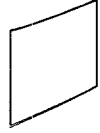
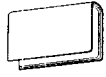

Assembly Instructions for Stand Model RB3509

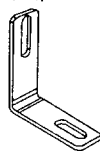



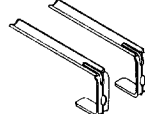

The contemporary design of this stand and its companion TV models will complement the furniture in any room. The stand gives you beautiful, organized storage for your video and audio equipment.

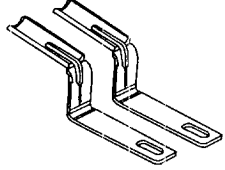
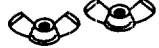
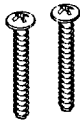


Parts Required for Assembly

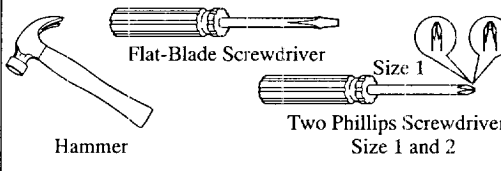
All parts shown below may not be packed with your specific stand.

- A** Plastic Dowels (2)

- B1** Hinge Bushings (4)
(Go inside holes for hinges)

- B2** Hinges with Screws (4)

- C** Glass Doors (2)

- D** Push Plates with Adhesive Foam Pad (2)

- E** Magnetic Catch (Attached)


- F1** TV "L" Bracket (RB2710/RB3110/RB3510)

- F2** Wing Nut for Truss Head Screw

- F3** Truss Head Screw for TV "L" Bracket

- F4** Cabinet Screw for TV "L" Bracket

- G1** TV "C" Brackets (RB2710)

- G2** TV "C" Bracket Screws (2)


- H1** TV "Z" Brackets (RB3510)

- H2** Wing Nuts for Truss Head Screws (2)

- H3** Truss Head Screws for TV "Z" Bracket (2)


Tools Required For Assembly



Hammer
Flat-Blade Screwdriver
Two Phillips Screwdrivers
Size 1 and 2

Stand Models RB2710 /RB3110/RB3510

Do not use this form for any other stand. It applies to models RB2710/RB3110/RB3510 only.

Key	Part Name	Qty Needed
A1	<input type="checkbox"/> Dowels (2) (RB2710)	_____
A2	<input type="checkbox"/> Dowels (2) (RB3110 or RB3510).....	_____
B1	<input type="checkbox"/> Hinge Bushings (4)	_____
B2	<input type="checkbox"/> Hinges with Screws (4)	_____
C1	<input type="checkbox"/> Glass Doors (2) (RB2710)	_____
C2	<input type="checkbox"/> Glass Doors (2) (RB3110)	_____
C3	<input type="checkbox"/> Glass Doors (2) (RB3510)	_____
D	<input type="checkbox"/> Push Plate with Pad (2)	_____
E	<input type="checkbox"/> Magnetic Catch	1
F1	<input type="checkbox"/> TV "L" Bracket	1
F2	<input type="checkbox"/> Wing Nut "L" Bracket	1
F3	<input type="checkbox"/> #8-32 1x1/8 Screw for "L" Bracket ..	1
F4	<input type="checkbox"/> Cabinet Screw for "L" Bracket	1
G1	<input type="checkbox"/> TV "C" Brackets (2)	1 Pair
G2	<input type="checkbox"/> TV "C" Bracket Screws (2)	1 Pair

If any of these parts are missing or damaged when you first open the carton, check the box next to the part that is needed. Print your name, address, phone number, date of purchase, and model number in the blank area below. To detach this form and mail it to:

Cabinet Factory
PO Box 208
Santa Claus, IN 47579-0208

Name: _____
Address: _____
Phone: _____
Date of Purchase: _____

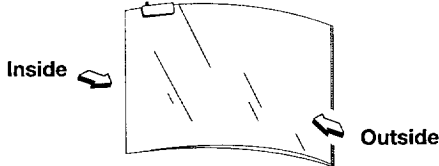
Model Number: _____

Check one: Missing
 Damage

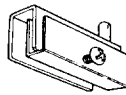
Attaching and Adjusting Glass Doors

1. Hold the glass door up next to the stand to determine where the top hinge will be attached. You will repeat steps 1 through 5 when attaching the opposite glass door.

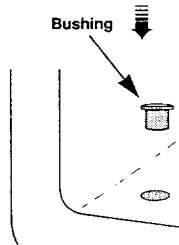
Attach hinge to top side of door with screw toward inside.



2. Partially thread one screw into each of the door hinges. Make sure the screw is inserted through the holes in both the hinge and the inside bracket. Then attach the top hinge to the upper left corner of the glass door. Gently tighten the screw until the hinge is tight against the glass. *Do not attach the bottom hinge to the door yet.*

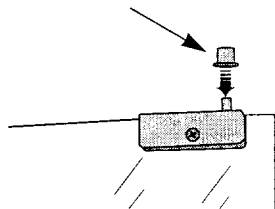


3. Place one hinge bushing into each of the two hinge holes in the stand. If the fit is snug, tap them in with a hammer.



If top bushing will not stay in top hole, place it on top hinge.

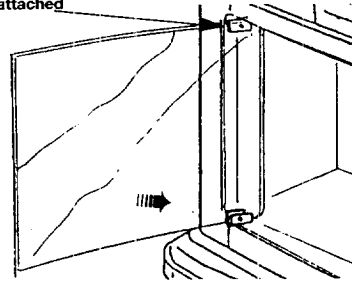
If the bushing does not fit securely in the top hole (falls out), place it on the door over the pin on the top hinge.



4. Insert the top hinge of the glass door into the top bushing. (If the bushing is resting on top of the hinge, insert the hinge and bushing into the top hole.) Insert the bottom hinge into bottom hinge bushing and hold it in place while sliding bottom of glass door into hinge. Then gently tighten bottom hinge against the glass door.

First insert top hinge (attached to glass) into top hole.

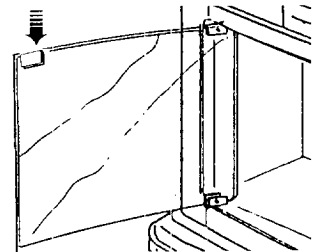
Then put bottom hinge in hole and slide glass door into the bottom hinge. Gently tighten screw.



The glass door should open and close easily without rubbing on the stand. You can adjust the position of the glass door if necessary by slightly loosening the hinge screws, moving the door, and then retightening the screws.

5. Attach push plate to top edge of door where it contacts magnetic catch already attached to the stand. First attach the foam pad over the top of the door, and then slide push plate over the pad.

Attach foam pad and push plate where door contacts magnetic catch.



Positioning and Securing TV on Top of Stand

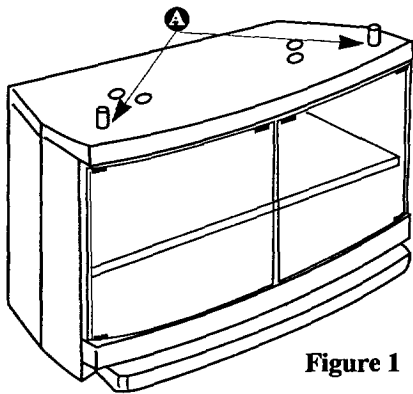
This stand is used with different styles of TV cabinets along with brackets. The TV cabinets are designed with areas on the bottom and back of the cabinet that allow for placement of the TV on the stand. Your TV model determines where the plastic dowels are placed and which brackets you will use. Follow the directions (A, B, or C) for your specific TV model. Two people are required for proper placement of the TV on the stand.

A. Follow the directions below for models:

F35672MB
F35731MB

F35751MB
F35755MB

1. Insert the two plastic dowels into the holes shown in Figure 1. Make sure the dowels are fully inserted before placing the TV on the stand.



These dowels help keep the TV in place. TV models designed for this stand have corresponding areas in the bottom of their cabinet that fit around these dowels.

Figure 1

2. Position the TV on the stand so that the molded areas on the bottom of the TV slip over the dowels. *
3. Use the double brackets as shown in Figure 2 for models:

F35731MB

F35751MB

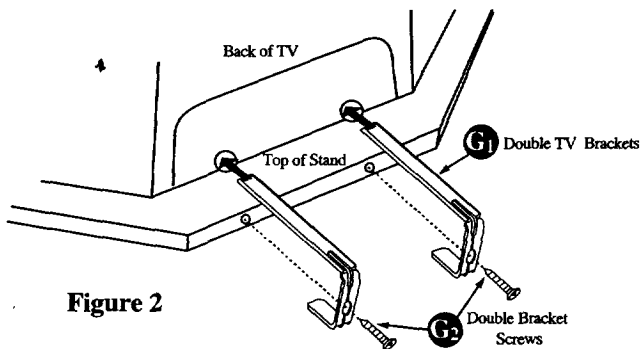


Figure 2

- a. Insert the long end of the brackets (G1) into the round holes in the back of the TV.
- b. Insert the two screws (G2) through the brackets (G1) and screw into the back of the stand.

* Step 2 requires a minimum of two adults.

Use the single bracket as shown in Figure 3 for models:

F35672MB

F35755MB

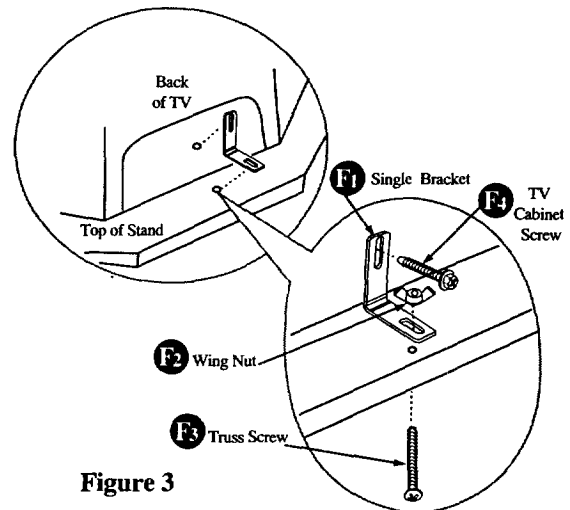


Figure 3

- a. Align the holes in the single bracket (F1) with the holes in the TV and top of the stand.
- b. Insert the cabinet screw (F4) into the top of the bracket (F1) and tighten.
- c. Insert the truss head screw (F3) into the pre-drilled hole from the bottom side of the stand and tighten with the wing nut (F2).

WARNING!

This stand is provided with TV locating dowels and TV mounting brackets that are designed to secure the recommended TV models to this stand. Failure to attach the recommended models as described in the assembly instructions for this stand may result in instability or tipping that may cause serious bodily injury or damage to your equipment.

Additional Information About Positioning Components on Shelves

This stand is designed with ventilation openings which allow adequate ventilation for components having a total power consumption of not more than 135 watts. Total power consumption can be determined by adding together the watts of each component operating in this stand. Do not confuse the output power rating (WATTS) per channel of an amplifier with the power consumption. The power consumption of each component [given as WATTS (W)] can usually be found on the back or bottom of each unit along with the brand name and model number. Simply add the watts for each unit to get the total power consumption. If equipment is installed that uses more than 135 total watts, overheating may occur resulting in a fire hazard or damage to your equipment. You can remove the back cover for additional ventilation for components with a total power consumption of not more than 475 watts.

To ensure the best performance from your components, follow these general guidelines when arranging them on the shelves of your new stand.

- Amplifier/receivers, satellite receivers, tuners, and VCRs all generate heat during operation and require sufficient clearance to prevent overheating. Special care should be taken when arranging these components in your stand.
- An amplifier/receiver, generally produces more heat than the other components. So place it on the top shelf and be sure to leave at least the minimum clearance above it based on the following power consumption: Watts rating of the amplifier/receiver rated *less than 350 Watts - four inches*; for *350 to 650 Watts - six inches*. Leave at least two inches of clearance above all other components such as VCRs, etc.
- Do not stack an amplifier/receiver and a VCR directly on top of each other. Also do not stack other components directly on top of an amplifier/receiver, satellite receiver, or VCR.

Replacement Parts List – Models RB2710/RB3110/RB3510

The replacement parts listed here may be purchased from your ProScan Consumer Electronics Dealer or Premier Showcase Parts Distributor. Please consult your Yellow Pages for the name of the Dealer or Parts Distributor nearest you or call toll free in the U.S.A. 1-800-336-1900.

Key	Part Name	Stock No.
A1Dowel (2/Pkg) (RB2710).....	225553
A1Dowel (2/Pkg) (RB3110/RB3510)	225050
B1Hinges with Screws, (4).....	225052
Bushings (come with B1)	
C1Door, Glass (RB2710)	225554
C2Door, Glass (RB3110)	225555
C3Door, Glass (RB3510)	225556
DPlate, Push w/pad	225051
ECatch, Magnetic	218886
F1TV "L" Bracket.....	225055
F2Wing Nut for "L" Bracket.....	218546
F3#8-32 1x1/8 Screw for "L" Bracket.....	218545
F4Cabinet Screw for "L" Bracket	225047
G1"C" Brackets (2/Pkg)	225053
G2"C" Bracket Screws (2/Pkg)	225045
H1"Z" Brackets (2/Pkg).....	207894
H2Wing Nuts for "Z" Brackets	218546
H3#8-32 1x1/8 Screws for "Z" Brackets.....	218545

Thomson Consumer Electronics
600 N Sherman Dr, PO Box 1976
Indianapolis, IN 46206-1976



Printed on recycled paper
 using soy-based ink

©1994 Thomson Consumer Electronics, Inc.
 Trademark(s)® Registered
 Marca(s) Registrada(s)
 Printed in the U.S.A.
Part Number 1Q57 324-01A