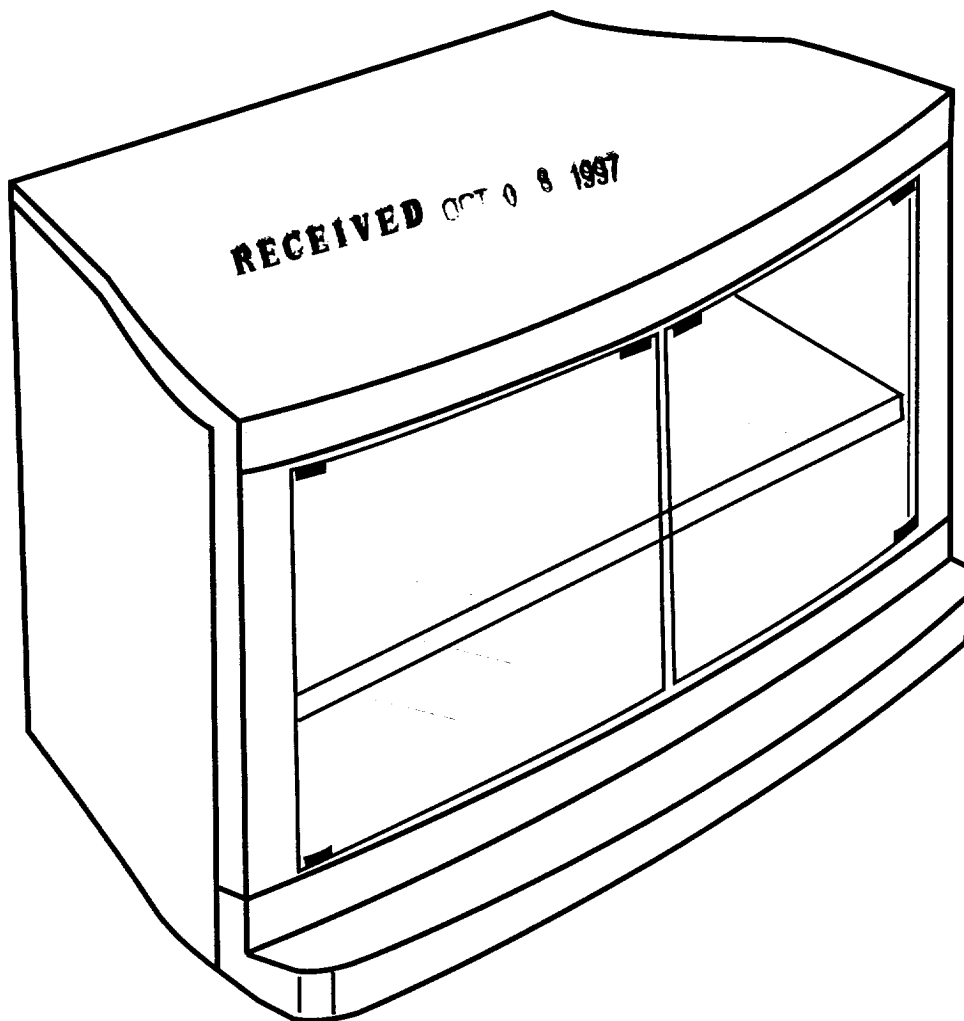


PROSCAN®

ENTERED OCT 0 9 1997
RECEIVED OCT 0 8 1997

Assembly Instructions for Stand Models RB2710 / RB3110 / RB3510

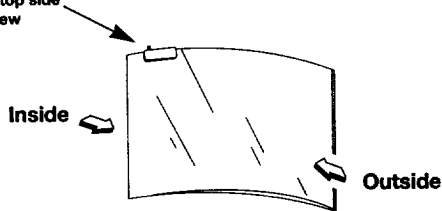


The contemporary design of this stand and its companion TV models will complement the furniture in any room. The stand gives you beautiful, organized storage for your video and audio equipment.

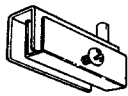
Attaching and Adjusting Glass Doors

1. Hold the glass door up next to the stand to determine where the top hinge will be attached. You will repeat steps 1 through 5 when attaching the opposite glass door.

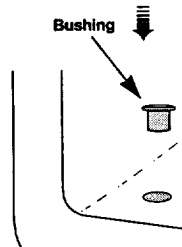
Attach hinge to top side of door with screw toward inside.



2. Partially thread one screw into each of the door hinges. Make sure the screw is inserted through the holes in both the hinge and the inside bracket. Then attach the top hinge to the upper left corner of the glass door. Gently tighten the screw until the hinge is tight against the glass. *Do not attach the bottom hinge to the door yet.*

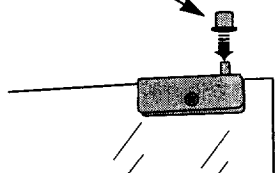


3. Place one hinge bushing into each of the two hinge holes in the stand. If the fit is snug, tap them in with a hammer.



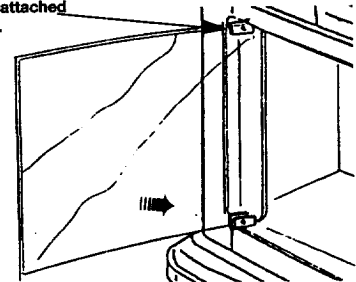
If top bushing will not stay in top hole, place it on top hinge.

If the bushing does not fit securely in the top hole (falls out), place it on the door over the pin on the top hinge.



4. Insert the top hinge of the glass door into the top bushing. (If the bushing is resting on top of the hinge, insert the hinge and bushing into the top hole.) Insert the bottom hinge into bottom hinge bushing and hold it in place while sliding bottom of glass door into hinge. Then gently tighten bottom hinge against the glass door.

First insert top hinge (attached to glass) into top hole.

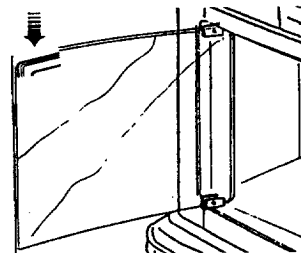


Then put bottom hinge in hole and slide glass door into the bottom hinge. Gently tighten screw.

The glass door should open and close easily without rubbing on the stand. You can adjust the position of the glass door if necessary by slightly loosening the hinge screws, moving the door, and then retightening the screws.

5. Attach push plate to top edge of door where it contacts the magnetic catch already attached to the stand. First adhere the foam pad over the top of the door, and then slide push plate over the pad.

Attach foam pad and push plate where door contacts magnetic catch.

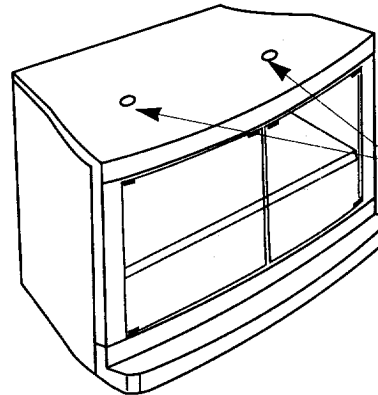


Positioning and Securing TV on Top of Stand

The TV cabinets are designed with areas on the bottom and back of the cabinet that allow for placement of the TV on the stand. Plastic dowels are used to keep your TV in place while the brackets secure the TV to the stand. Your TV model determines which brackets you will use. Two people are required for proper placement of the TV on the stand.

Using Plastic Dowels to Position the TV

1. Insert the two plastic dowels into the holes as shown at the right. Make sure the dowels are fully inserted before placing the TV on the stand.
2. Position the TV on the stand so that the molded areas on the bottom of the TV slip over the dowels. This step requires a minimum of two adults.



These dowels help keep the TV in place. TV models designed for this stand have corresponding areas in the bottom of their cabinet that fit around these dowels.

Using Brackets to Secure the TV

Choose your stand model and follow the directions for your specific TV model. Your TV model determines which brackets you will use.

WARNING!
The stand is provided with TV locating dowels and mounting brackets that are designed to secure the recommended TV models to this stand. Failure to attach the recommended models as described in the assembly instructions for this stand may result in instability or tipping that may cause serious bodily injury or damage to your equipment.

RB2710

Follow the directions below for model (s):

PS27113 PS27123 PS27153

1. Attach the "C" brackets as shown in Figure 1.
2. Insert the long end of the brackets (G1) into the round holes in the back of the TV.
3. Insert the two screws (G2) through the brackets (G1) into the pre-drilled holes in the back of the stand and tighten.

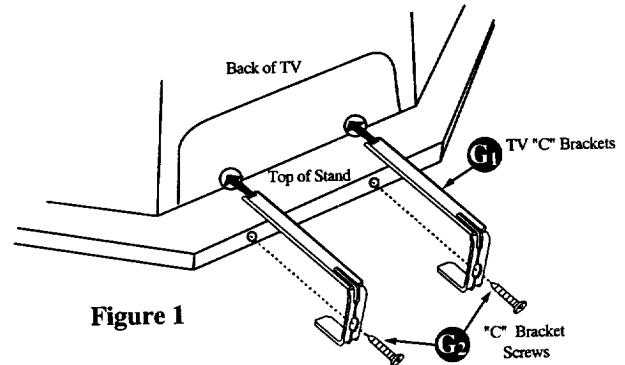


Figure 1

Follow the directions below for model (s):

PS27108

1. Attach the "L" bracket as shown in Figure 2.
2. Align the holes in the bracket (F1) with the holes in the TV and top of the stand.
3. Insert the cabinet screw (F4) into the top of the bracket (F1) and tighten.
4. Insert the truss head screw (F3) into the pre-drilled hole from the bottom side of the stand and tighten with the wing nut (F2).

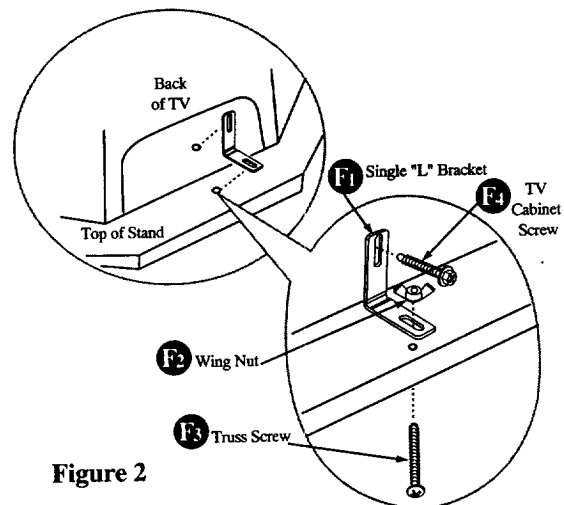


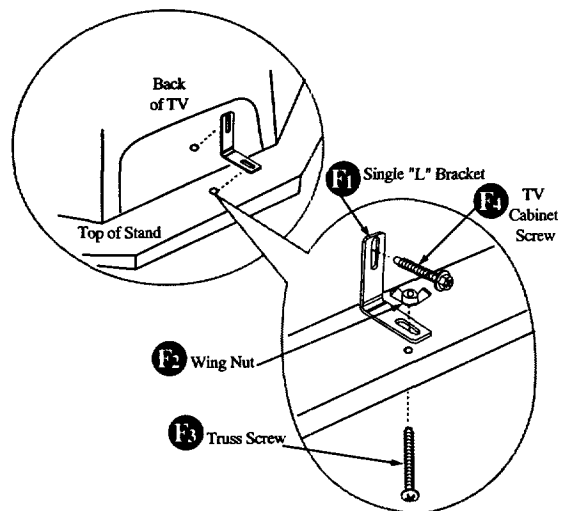
Figure 2

RB3110

Follow the directions below for model (s):

PS31108 PS31160

1. Attach the "L" bracket as shown at the right.
2. Align the holes in the bracket (F1) with the holes in the TV and top of the stand.
3. Insert the cabinet screw (F4) into the top of the bracket (F1) and tighten.
4. Insert the truss head screw (F3) into the pre-drilled hole from the bottom side of the stand and tighten with the wing nut (F2).



RB3510

Follow the directions below for model (s):

PS35160

1. Attach the "L" bracket as shown in Figure 1.
2. Align the holes in the bracket (F1) with the holes in the TV and top of the stand.
3. Insert the cabinet screw (F4) into the top of the bracket (F1) and tighten.
4. Insert the truss head screw (F3) into the pre-drilled hole from the bottom side of the stand and tighten with the wing nut (F2).

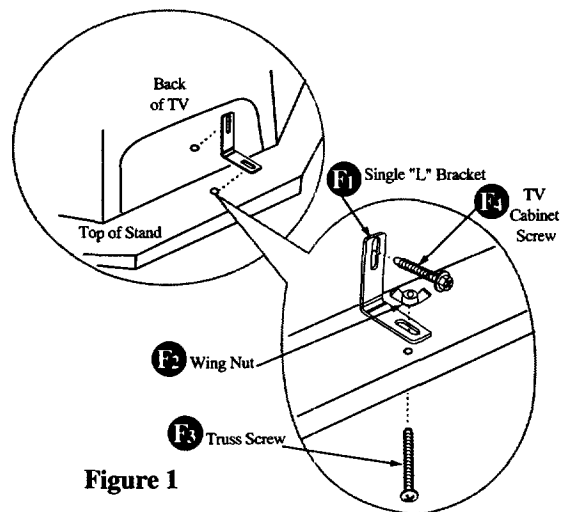


Figure 1

Follow the directions below for model (s):

PS35123 PS35153

1. Attach the "Z" bracket as shown in Figure 2.
2. Insert the rounded end of the brackets (H1) into the round holes in the back of the TV.
3. Insert the truss head screws (H3) into the pre-drilled holes from the bottom side of the stand and tighten with the wing nuts (H2).

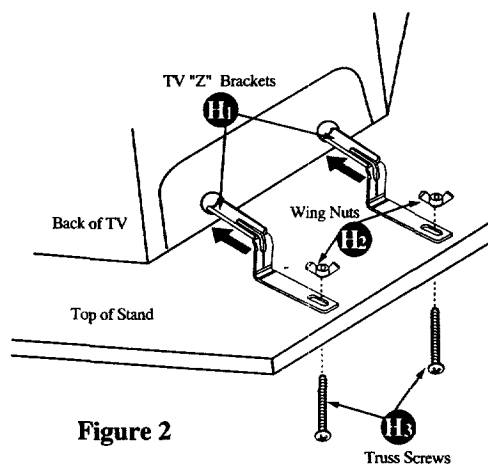


Figure 2