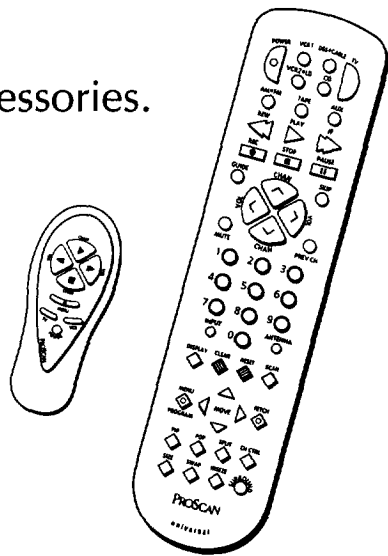

PROSCAN
CONNECTIONS

FIRST-TIME SETUP

These steps will help you get your TV connected and working in a hurry.

Step 1

Unpack the TV and accessories.



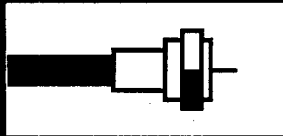
Step 2

Connect the TV.

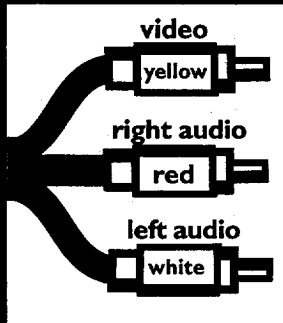


CABLES AND CONNECTIONS

These diagrams use three types of cables and connectors:



COAXIAL CABLE is the standard cable that comes in from your antenna or cable box. Coaxial cables use "F" connectors.



AUDIO/VIDEO CABLES, also called RCA-type cables, usually come in groups of three cables, each one with a connector that is color-coded according to its use: yellow for video; red for right audio; and white for left (or mono) audio.



S-VIDEO is an optional video cable that provides the very best picture. If your VCR does not have S-Video capability, connect the coaxial and audio/video cables only.

See Appendix A in the User Manual for detailed information on using each of these connections.

A • TV ONLY

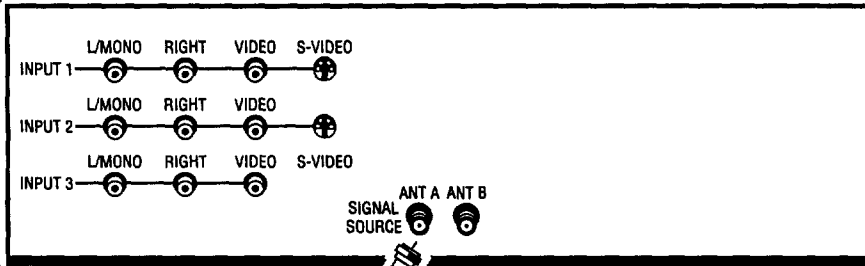
To use this connection, you must have:

 1 coaxial cable

CABLE BOX



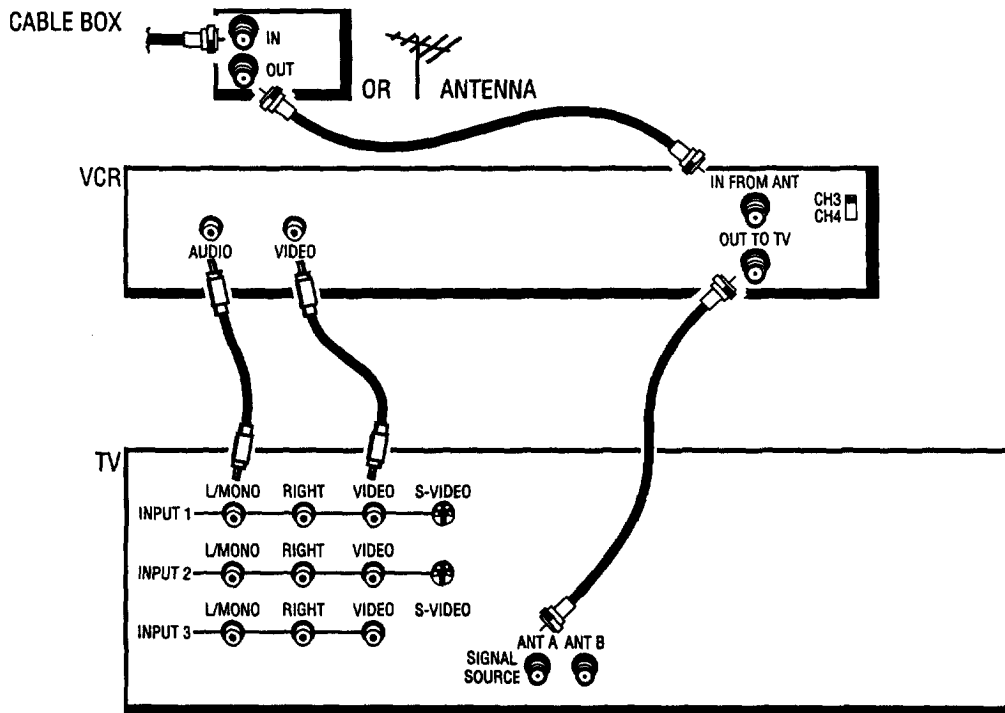
TV



B • TV AND MONO VCR

To use this connection, you must have:

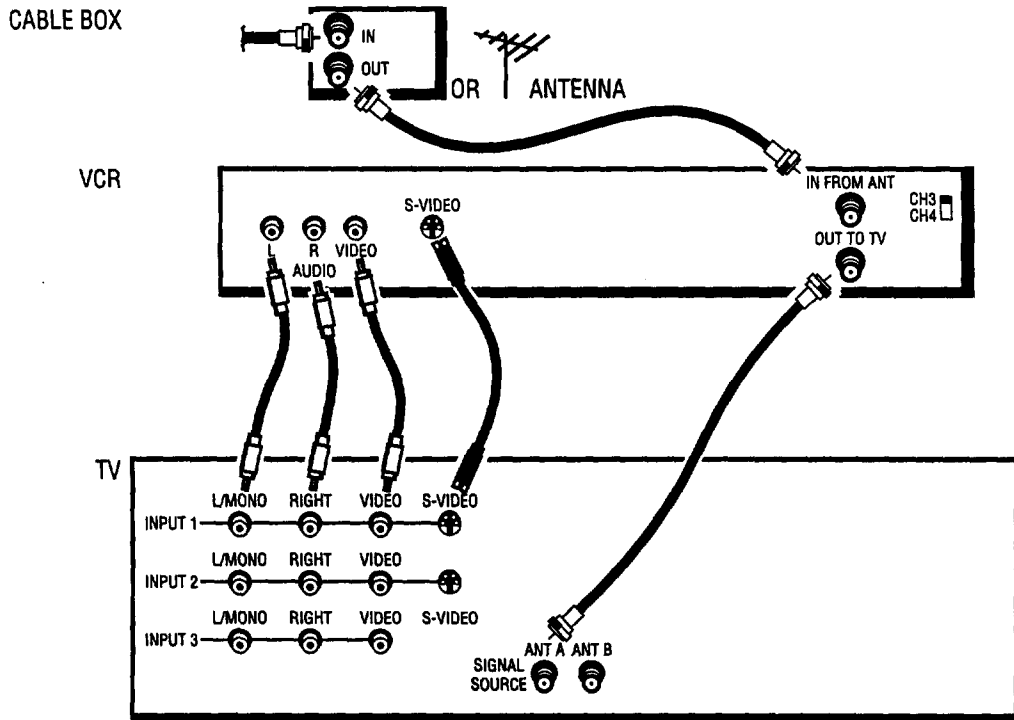
- 2 coaxial cables
- 2 audio/video cables



C • TV AND STEREO VCR

To use this connection, you must have:

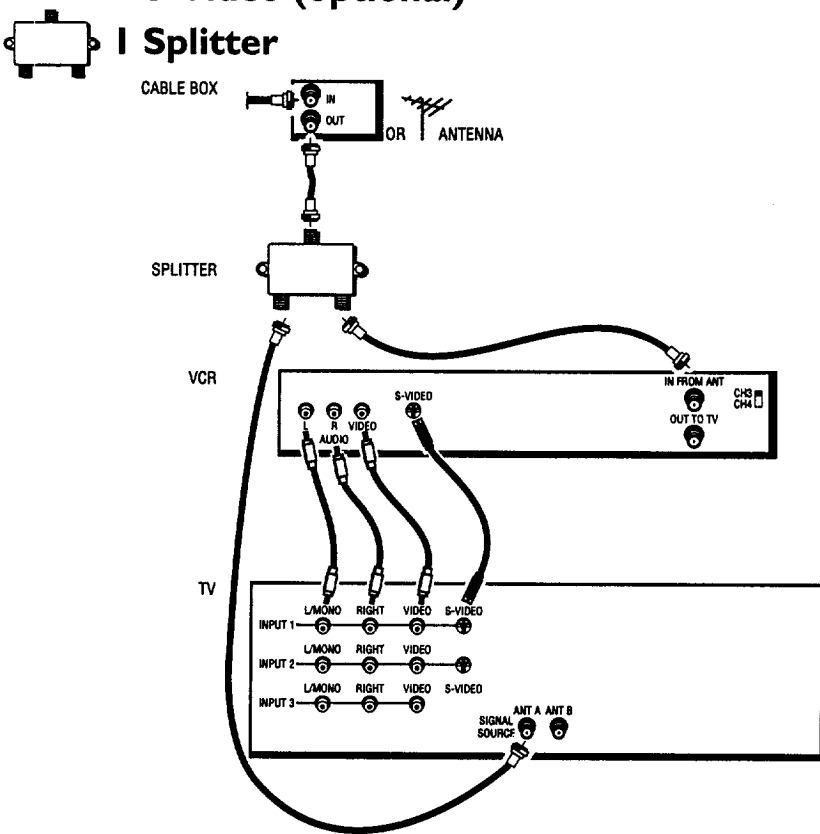
- 2 coaxial cables
- 3 audio/video cables
- 1 S-Video cable (optional)



D • TV & VCR USING SPLITTER

To use this connection, you must have:

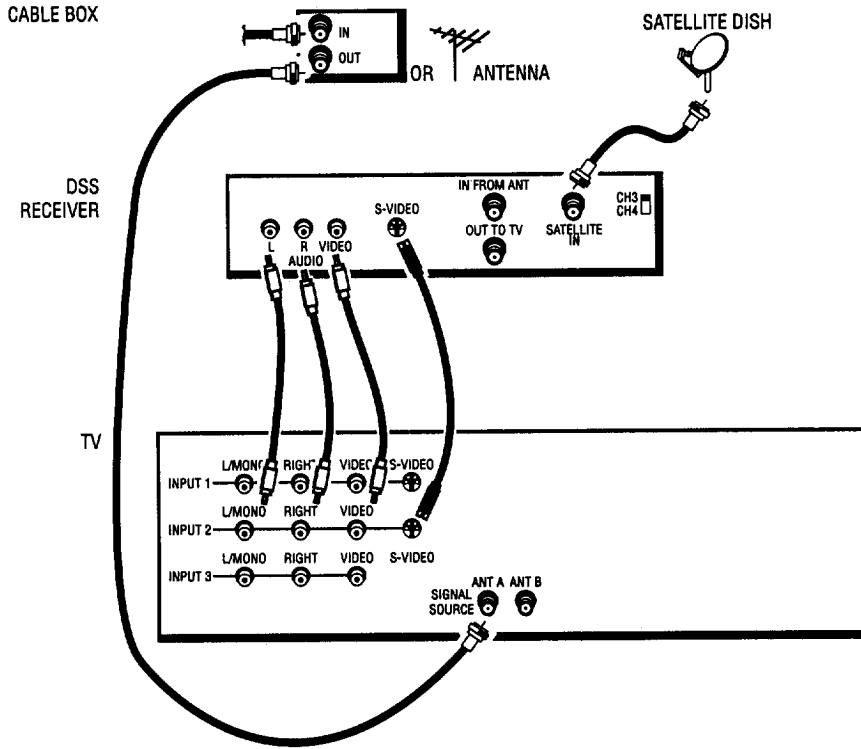
- 3 coaxial cables
- 3 audio/video cables
- 1 S-Video (optional)
- 1 Splitter



E•TV AND DSS* RECEIVER

To use this connection, you must have:

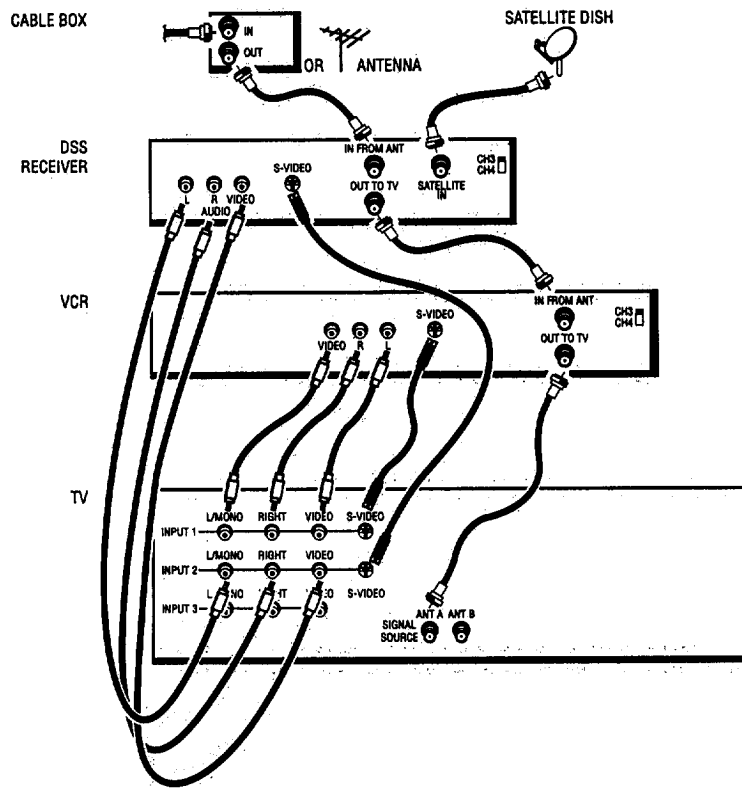
- 2 coaxial cables
- 3 audio/video cables
- 1 S-Video cable (optional)



F • TV, VCR AND DSS* RECEIVER





To use this connection, you must have:

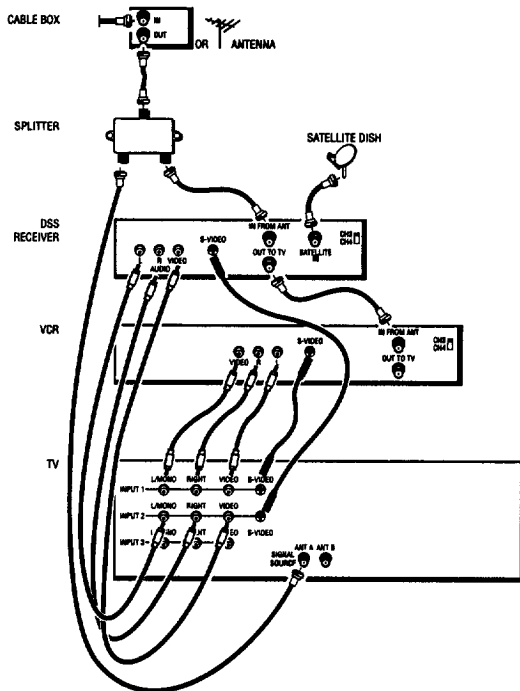
- 4 coaxial cables
- 6 audio/video cables
- 2 S-Video cables (optional)



G • TV, VCR, & DSS* RECEIVER USING SPLITTER

To use this connection, you must have:

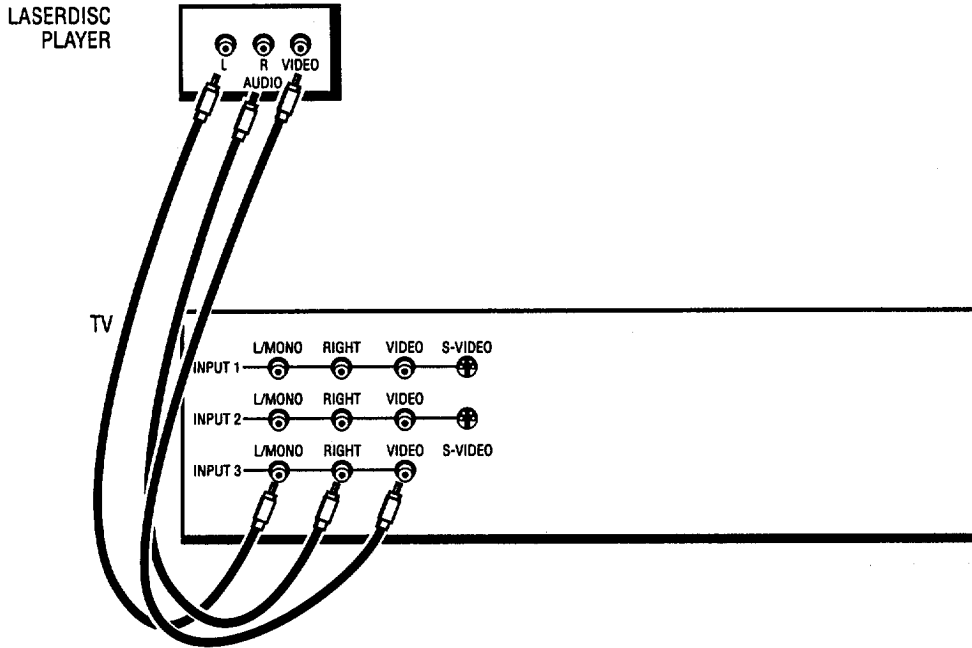
-  4 coaxial cables
-  6 audio/video cables
-  2 S-Video cables (optional)
-  1 Splitter

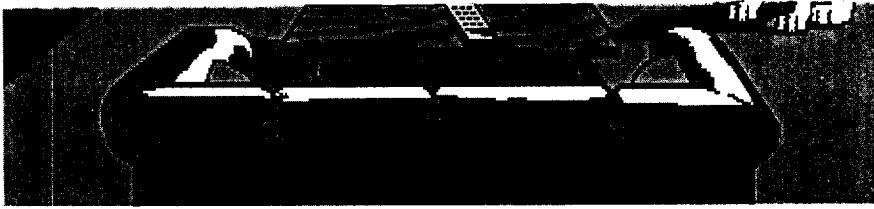


H • ADDING A LASERDISC PLAYER

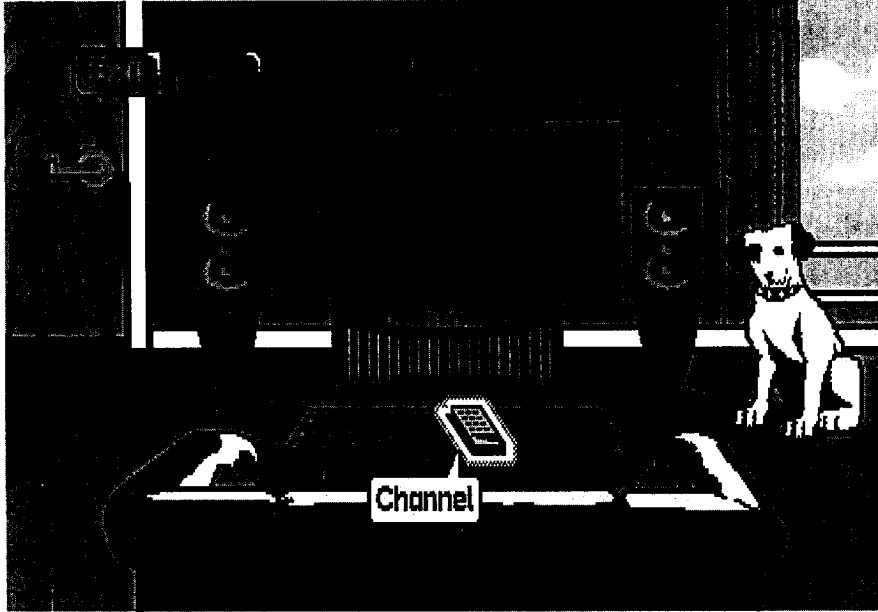
To use this connection, you must have:

 3 audio/video cables





2. Point to the remote on the Living Room coffee table to highlight the Channel menu.



3. Press **MENU** to select the Channel menu.



Point to the Exit button and press...

USING THE CONNECTIONS FOLDOUT

The front side of this foldout, which should be used in conjunction with the *First Things First* section of the User Manual, diagrams 8 recommended connections for hooking up the TV to a cable box or antenna, one or two VCRs, a laserdisc player, and a DSS receiver. If your components don't match those shown on the foldout, or if you prefer a different connection, see your dealer or specific component user manuals.

The reverse side of this foldout contains a first-time setup guide, as well as brief descriptions of the remote control buttons and instructions on using the on-screen menu system.

TOCOM #15081920

THE MENU SYSTEM

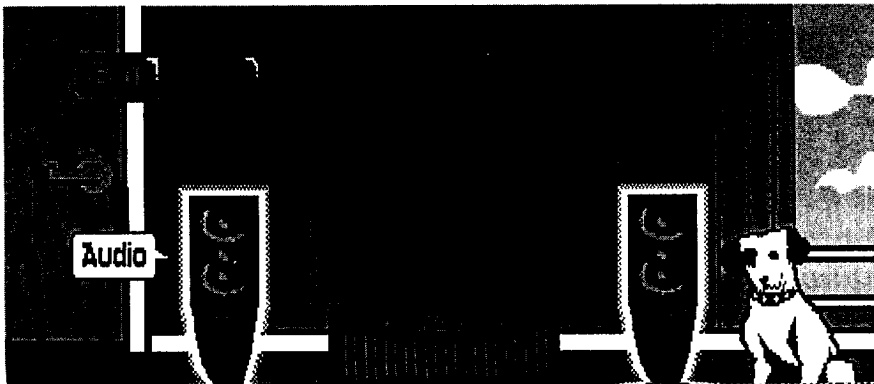
The TV's features are accessed through the on-screen menu system. The Point and Select rule teaches you all you need to know about navigating through the system.

To use the Point and Select rule:

1. Press MENU to bring up the Main Menu.
2. Use the MOVE arrows to point to a menu item.
3. Press MENU to select that item.

For example, to use the Point and Select rule to select the Channel menu from the Main Menu:

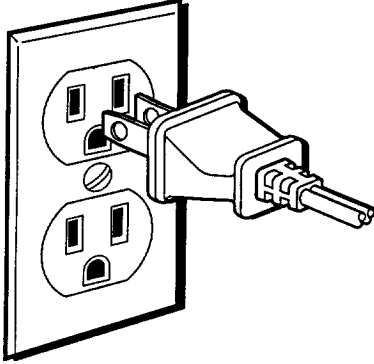
- 1. Press MENU to bring up the Main Menu.**





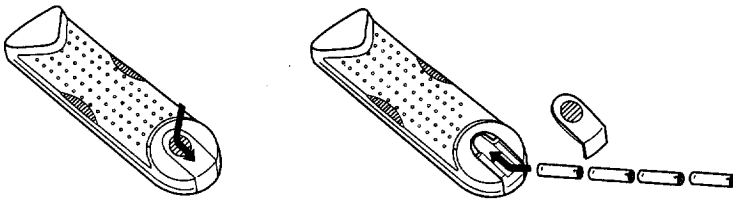
Step 3

Plug in the TV.



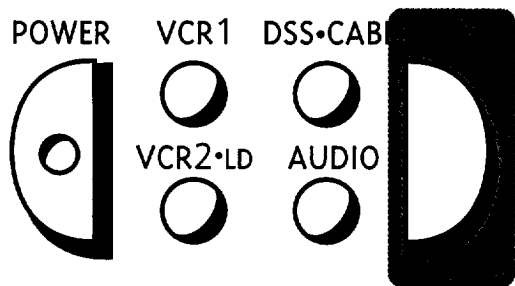
Step 4

Put batteries in the remote.



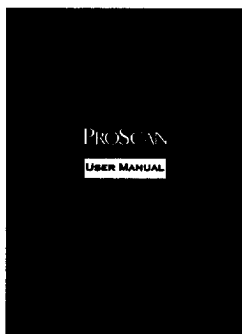
Step 5

Turn on the TV.



Step 6

Go to *First Things First* in the User Manual.



THE REMOTES

Component Buttons

Press one of these buttons to tell the TV which component you want to control. You can program the remote to control most brands of remote-controllable equipment. (See the *Programming the Remote* section of the User Manual.)

Transport Buttons

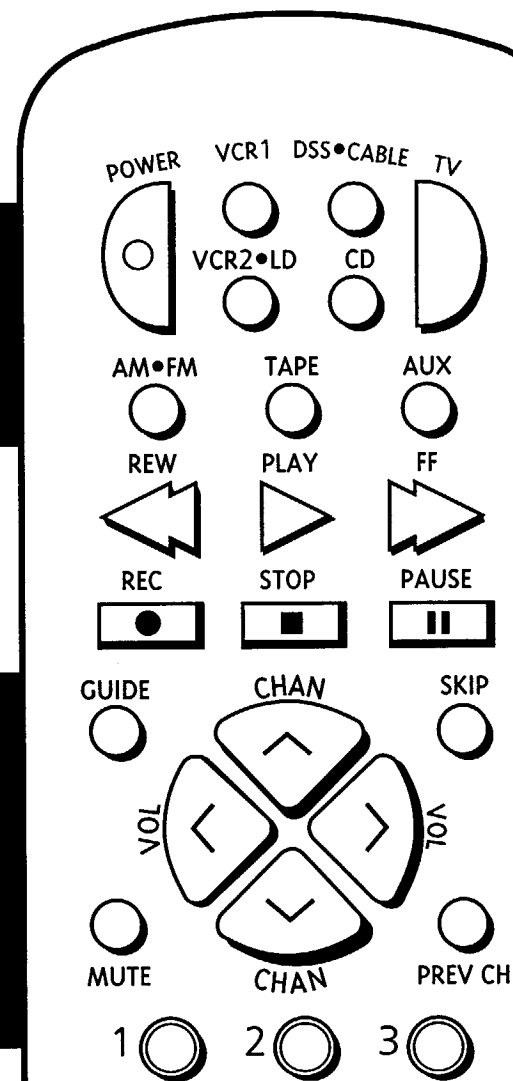
Use to control your VCR or other component.

CHAN Buttons

Press the CHAN up or CHAN down buttons to scan up or down through your channel list.

VOL Buttons

Press the VOL left or VOL right to decrease or increase TV's volume.



Number Buttons

Lets you select channels and menu information directly. Always press two number buttons to tune to a channel. For example, press 0 then 6 to tune to channel 6. To tune to a 3-digit channel, press and hold the 1 button until "1--" is displayed on the screen. Then press the other two numbers buttons.

CLEAR

Lets you leave a menu or display and return to TV viewing.

MENU

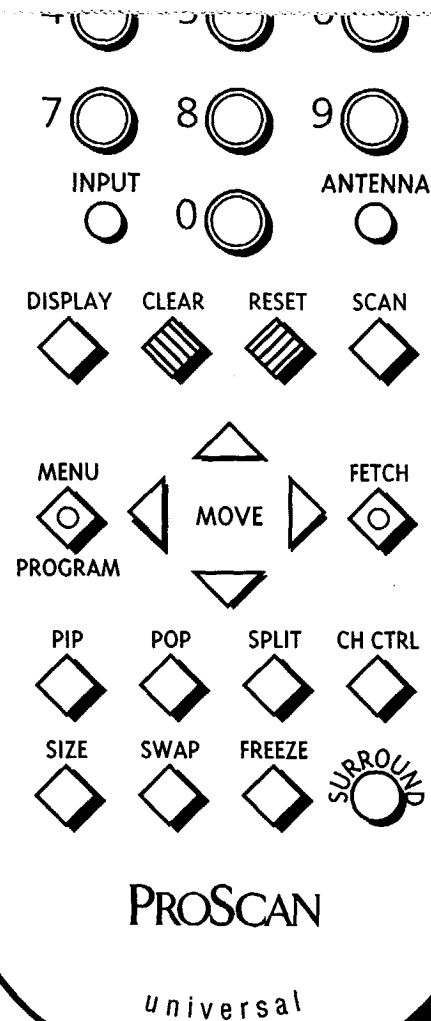
Press MENU to bring up the Main Menu. Also, press MENU to select items in the menu system. This is the second part of the Point and Select menu rule.

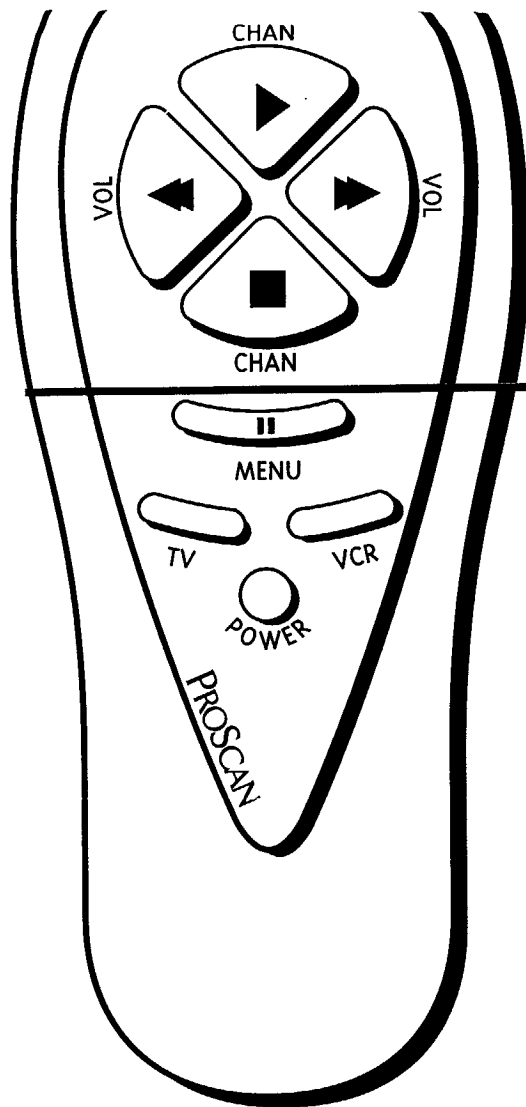
MOVE (Arrows)

Press the MOVE arrows to move around (point) and make changes to the on-screen menu system. This is the first part of the Point and Select menu rule.

PIP buttons

These buttons let you bring up and manipulate the PIP (picture-in-picture) window.





VOL < Decreases the volume. When in the menu system, VOL < is used to point to items and adjust menu controls. In VCR mode, it functions as a REW button.

VOL > Increases the volume. When in the menu system, VOL > is used to point to items and adjust menu controls. In VCR mode, it functions as a FF button.

CHAN ^ Scans up through the channel list. In the menu system, it points to items and adjusts menu controls. In VCR mode, it functions as a PLAY button.

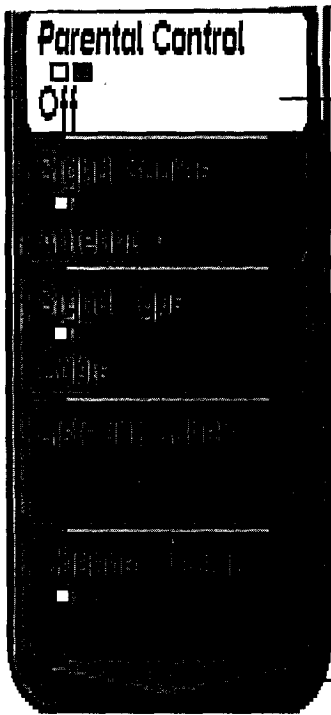
CHAN v Scans down through the current channel list. In the menu system, it points to items and adjusts menu controls. In VCR mode, it functions as a STOP button.

MENU Brings up the Main Menu. When in the menu system, it selects highlighted items. Also returns you to the previous menu. When in VCR mode, it functions as a PAUSE button.

TV Turns on the TV and puts the remote in TV mode. Also displays channel information.

VCR If programmed, turns on the VCR and puts remote in VCR mode. Also turns on the TV. **Tip:** To change channels on the VCR, press and hold VCR, then press TV. Release both buttons, then use the CHAN buttons to change channels.

POWER Turns off the TV. Also turns some VCRs off and on.



MENU to see a useful tip about using the current menu.

Point to the Help button and press MENU to return to the previous menu. Or, press CLEAR to remove the onscreen displays and return

The menu comes up with the first item highlighted.

The arrow at the bottom of the menu tells you there are more menu items. Press the down arrow to get to the rest of the items.

