

Installation Guide 
Guía de instalación
Guide d'installation
English / Español / Français



Models / Modelos / Modèles: 405.1478#

Kenmore®

Built-in Dishwasher Lavavajillas empotrado Lave-vaisselle encastré

= color number, número de color, le numéro de la couleur



Transform SR Brands Management LLC
Hoffman Estates, IL 60192

www.kenmore.com



DISHWASHER SAFETY	3
INSTALLATION REQUIREMENTS	5
Tools and Parts	5
Location Requirements	7
Drain Requirements	9
Water Supply Requirements	10
Electrical Requirements	10
INSTALLATION INSTRUCTIONS	11
Unpack Dishwasher	11
Remove Kick Plate	12
Check Door Balance	13
Adjust Leveling Legs	13
Prepare Installation Opening	15
Verify Existing Utility Connections	16
When There Are No Existing Utility Connections	17
Connect Drain Hose to Dishwasher	20
Slide Dishwasher Partially Into Opening	20
Level Dishwasher	21
Connect to Power Supply	22
Connect to Water Supply	25
Connect to House Drain System	26
Secure Dishwasher	30
Pre-Test Checklist	32
Test Dishwasher	33
Replace the Kick Plate	34

DISHWASHER SAFETY

YOUR SAFETY AND THE SAFETY OF OTHERS ARE VERY IMPORTANT

To prevent injury to the user or other people and property damage, the instructions shown here must be followed. Incorrect operation due to ignoring of instructions may cause harm or damage, including death.

The level of risk is shown by the following indications.



WARNING

This symbol indicates the possibility of death or serious injury.



CAUTION

This symbol indicates the possibility of injury or damage to property.



WARNING

This symbol indicates the possibility of dangerous voltage constituting a risk of electrical shock is present that could result in death or serious injury



WARNING/GROUNDING INSTRUCTIONS

Improper connection of the equipment-grounding conductor can result in a risk of electric shock. Check with a qualified electrician or service representative if you are in doubt whether the appliance is properly grounded. If the plug will not fit the outlet, have a proper outlet installed by a qualified electrician.



For a grounded, cord-connected appliance:

This appliance must be grounded. In the event of a malfunction or breakdown, grounding will reduce the risk of electric shock by providing a path of least resistance for electric current. This appliance is equipped with a cord having an equipment-grounding conductor and a grounding plug. The plug must be plugged into an appropriate outlet that is installed and grounded in accordance with all local codes and ordinances.

For a permanently connected appliance:

This appliance must be connected to a grounded metal, permanent wiring system, or an equipment-grounding conductor must be run with the circuit conductors and connected to the equipment-grounding terminal or lead on the appliance.

 **WARNING**



Tip Over Hazard

- Do not use dishwasher until completely installed.
- Do not push down on open door.
- Doing so can result in serious injury or cuts.

 **WARNING**

Suffocation Hazard

- Before you throw away your old appliance, remove the door or lid so that children cannot hide or get trapped inside your old appliance.
- Failure to follow these instructions can result in death or brain damage.

 **WARNING**

Electrical Shock Hazard

To reduce the risk of electric shock, fire or injury to persons:



- The installer must ensure that the dishwasher is completely enclosed at the time of installation.
- Care shall be exercised when the dishwasher is installed or removed to reduce the likelihood of damage to the power cord.

State of California Proposition 65 Warnings:



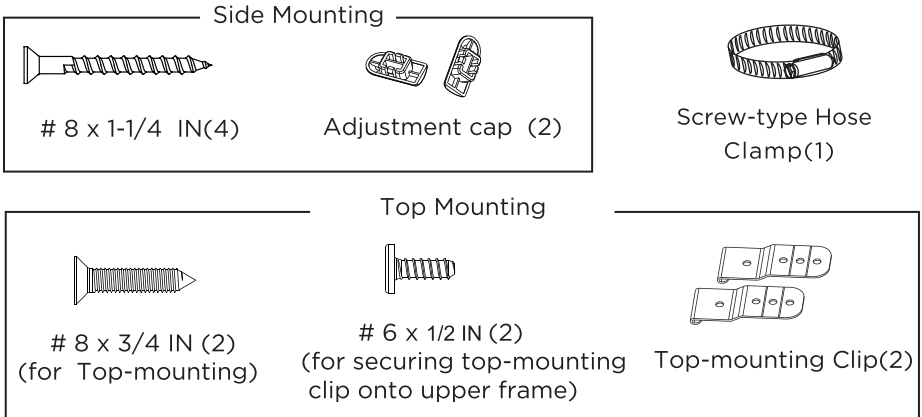
WARNING:Cancer and Reproductive Harm-www.P65Warnings.ca.gov.

INSTALLATION REQUIREMENTS

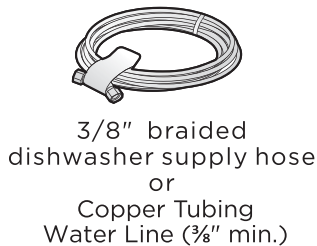
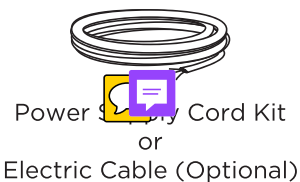
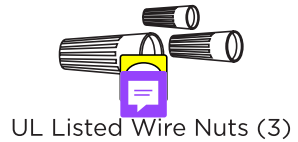
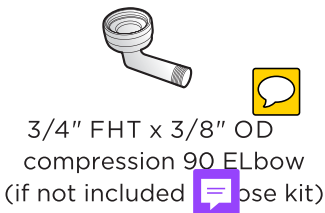
TOOLS AND PARTS

Gather the required tools and parts before starting installation.

PARTS SUPPLIED



PARTS NEEDED (NOT PROVIDED)



TOOLS NEEDED



Phillips-head
Screwdriver



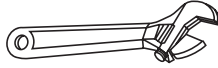
5/16" and 1/4" Nutdriver



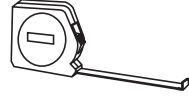
Level



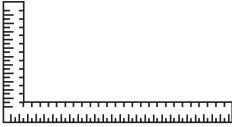
Flashlight



6" Adjustable Wrench



Measuring Tape



Carpenters Square



Safety Glasses



Bucket



Gloves



Flat-bladed
Screwdriver



NEW INSTALLATIONS (ONLY)

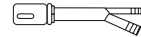
Parts Needed



Hand Shut-off Valve



Waste Tee
(house plumbing, if
applicable)

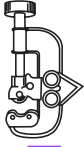


Air Gap for drain hose
(if required)

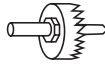


Coupler (extending
drain line, if applicable)

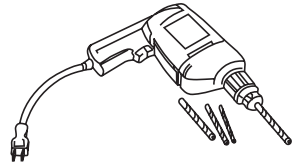
Tools Needed



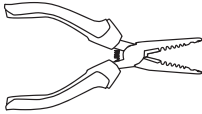
Tubing Cutter



Hole Saw Set



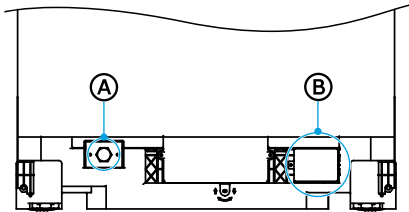
Drill and Bits



Wire Stripper

KEY CONNECTION POINTS

Front



- (A) Water Connection
- (B) Electrical Junction Box

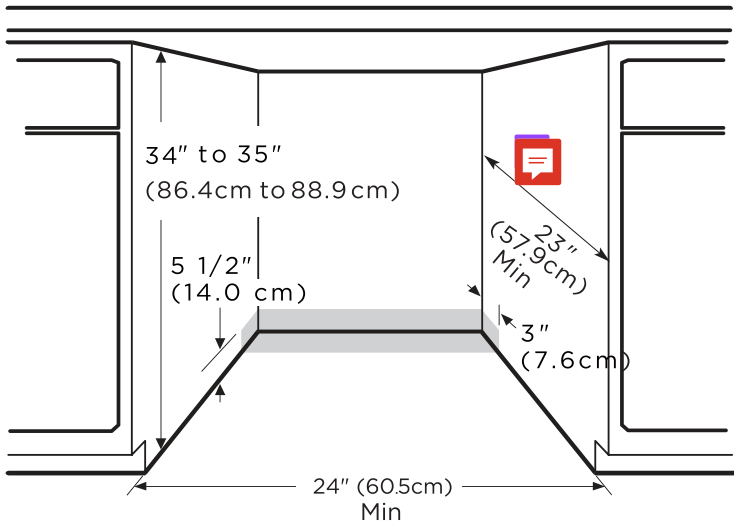
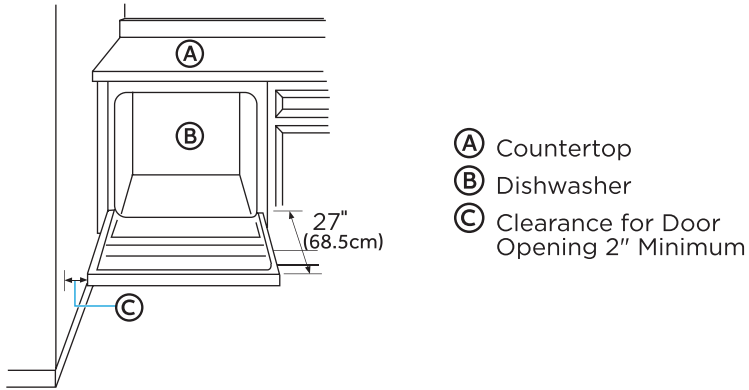
LOCATION REQUIREMENTS

IMPORTANT:

- Do not run drain lines, water lines or electrical wiring where they can interfere with or contact dishwasher motors or legs.
- The location where the dishwasher will be installed must provide clearance between motors and flooring. Motors should not touch the floor.
- The opening must have a level floor. (If floor at front of opening is not level with floor at rear of opening, shims may be needed to level dishwasher).
- Do not install dishwasher over carpeted flooring.
- The dishwasher must be fully enclosed on the top, sides and back and must not support any part of the enclosure.
- The dishwasher must be installed so that the drain hose is no more than 10 ft in length for proper drainage.

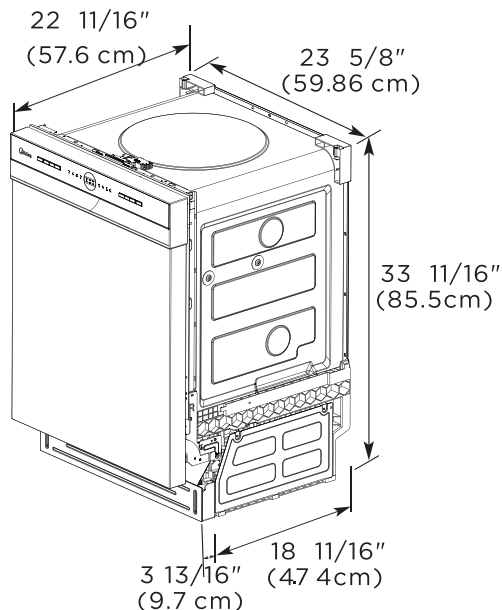
OPENING DIMENSIONS

- The rough cabinet opening must be at least 24" (60.5 cm) wide, 23" (58 cm) deep and 34" (86.4 cm) high, and provide easy access to water, electricity and a drain.
- When installed in a corner location, a 2" (5.1 cm) minimum clearance is required between the side of the dishwasher and the adjacent wall, cabinet or other appliance.
- There must be a minimum clearance of 27" (68.5 cm) in front of the dishwasher to allow the door to fully open.



* Make sure water line, wires and drain hose are within the shaded area.

PRODUCT DIMENSIONS



DRAIN REQUIREMENTS

Follow local codes and ordinances.

DRAIN HOSE

If the supplied hose is not long enough, use a new drain hose with a maximum length of 10 ft (3.05 m) that meets all current AHAM/IAPMO test standards.

The drain hose should:

- Be resistant to heat and detergent
- Have an inside diameter (I.D.) of 5/8" (1.58 cm) or 3/4" (1.9 cm) or 1" (2.54 cm)
- Include a coupler to connect the two hose ends (secure the connection with two clamps)

Do NOT connect drain hoses from other appliances to the dishwasher drain hose.

Drain Hose Routing

The drain hose may pass through the same hole as the wiring and hot water line, or you can cut an additional 1 1/2" (3.8 cm) diameter hole in the cabinet wall to admit the drain hose within the 5.5" x 3" area described previously.

NOTE: The hole must be smooth with no sharp edges.

DRAIN CONNECTION HEIGHT

The drain connection method depends on the height of the drain hose connection.

IMPORTANT: Failure to connect the drain hose at a height of 18" with air gap (not provided) OR to create a drain loop with a minimum height of 32" (81.3 cm) will result in improper draining of the dishwasher.

WATER SUPPLY REQUIREMENTS

- Water pressure from the hot water supply line must be between 20-120 psi (138-862 kPa).
- Water heater that is adjusted to a water temperature of 120°F to 150°F (49°C to 65.5°C).
- A 3/8" min. diameter copper tubing or braided tubing water line extending at least 24" (61 cm) from the rear wall, and routed to connect to the front left-hand side of the dishwasher.
- A hand shut-off valve in an accessible location, such as under the sink (optional, but highly recommended).



ELECTRICAL REQUIREMENTS



WARNING

Electrical Shock Hazard



- Installation and service must be performed by a qualified installer or service agency.
- Always disconnect the power before servicing this unit.
- This appliance must be properly grounded.
- Failure to do so could result in death, fire, or electrical shock.

IMPORTANT:

- The dishwasher must be supplied with 120 volt, 60 Hz., and connected to a dedicated, properly grounded branch circuit, protected by a 15 or 20 ampere circuit breaker or time delay fuse.
- Maximum of two field wiring supply conductors (12 AWG Maximum) plus one grounding conductor are permitted in the terminal box.
- Use only copper wire.
- Wiring must be 2-wire with ground.
- Use a UL Listed/CSA Approved metallic strain relief.
- Be sure that the electrical connection and wire size are adequate and in conformance with the National Electrical Code, ANSI/NFPA No. 70-latest edition and all local codes and ordinances.
- If the electrical supply does not meet the above requirements, call a licensed, qualified electrician before proceeding.



Grounding Instructions:

- The dishwasher must be connected to a grounded metal, permanent wiring system, or an equipment grounding conductor must be run with the circuit conductors and be connected to the equipment grounding terminal or lead on the dishwasher.

Power Cord Connections:

- Use a power cord with connections that comply with the National Electrical Code, Section 422 and/or local codes and ordinances.
- Recommended cord length is 54" min. and 64" max.
- A power cord kit is available for purchase from an authorized parts dealer.

Direct Wire Connections:

- Use flexible, armored or nonmetallic sheathed, copper wire with grounding wire that meets the wiring requirements for your local codes and ordinances.

INSTALLATION INSTRUCTIONS

IMPORTANT:

- This appliance should be installed only by a qualified Installer, plumber or technician and in accordance with the manufacturer's installation instructions, electrical and plumbing national and local codes and ordinances.
- The dishwasher must be installed to allow for future removal from the enclosure if service is required.
- Each dishwasher is tested at the factory and may contain some residual water in the tub as a result of the test.

Step 1. UNPACK DISHWASHER

IMPORTANT: If you received a damaged dishwasher, you should immediately contact Customer Service.

WARNING



Suffocation Hazard

- To avoid danger of suffocation, keep plastic bag and other packing material away from babies and children. Do not use this bag in cribs, carriages and playpens. The plastic bag could block nose and mouth and prevent breathing. This bag is not a toy.
- Failure to follow these instructions can result in death or brain damage.



WARNING

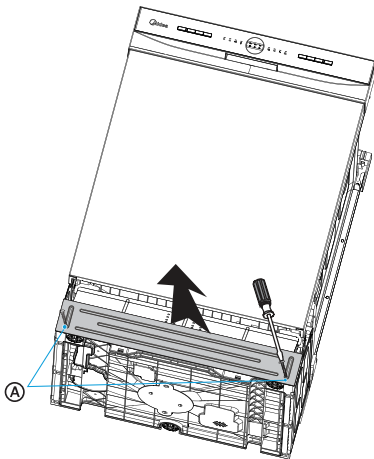
Su~oca tion Hazard

- Before you throw away your old appliance, remove the door or lid so that children cannot hide or get trapped inside your old appliance.
- Failure to follow these instructions can result in death or brain damage.

1. With the help of two or more people, open the dishwasher door slowly while one person presses down on the top of the dishwasher to prevent tipping. Remove the lower dish rack and all packing material from the your new dishwasher.
2. Locate the literature package, and read the User Manual for operating instructions.
3. Close dishwasher door until latched, and stand the dishwasher upright.
4. Properly dispose of/recycle all packing material.

Step 2. REMOVE KICK PLATE(S)

1. Using a screwdriver, remove the two screws attaching the kick plate(s) to the cabinet.
2. Lift o~ the kick plate (s)



Ⓐ Kick Plate Screws (2)

Step 3. CHECK DOOR BALANCE

With another person holding the dishwasher to prevent it from tipping, open the door slowly.

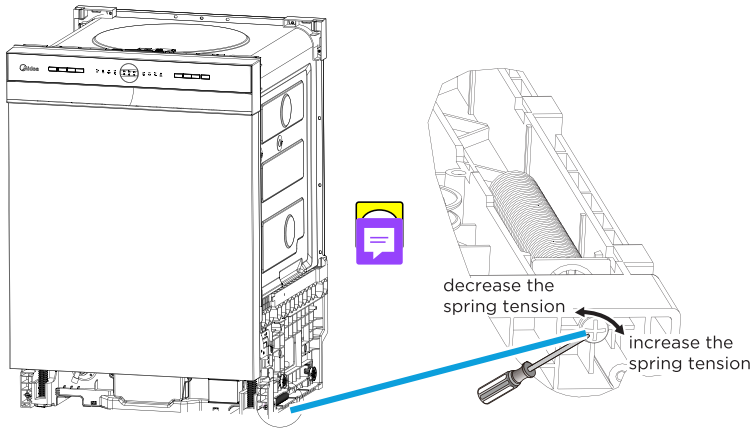
- If the door drops too freely , increase the spring tension.
- If the door closes too hard ,decrease the spring tension.

To adjust the door spring tension:

1. Grasping the spring firmly, raise or lower the hook end to the next higher or lower slot, and then insert the hook into the slot.

NOTE: Adjust both springs (left-hand side and right-hand side) to the same tension. Failure to do so could result in door leaks.

2. Retest the door. Continue moving the spring hooks higher or lower until the door is balanced.



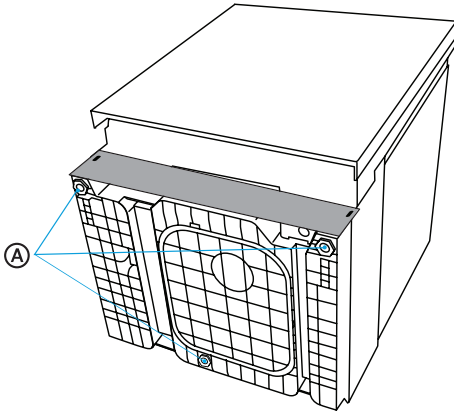
Step 4. ADJUST LEVELING LEGS

1. Move the dishwasher close to the installation location and lay it on its back.
2. Measure the height of the opening from the underside of countertop to floor (lowest point).

- Extend the leveling legs from the base of the dishwasher by the length indicated in the following chart. Take into account any built-up flooring which may need to be added to the rear foot adjustment.

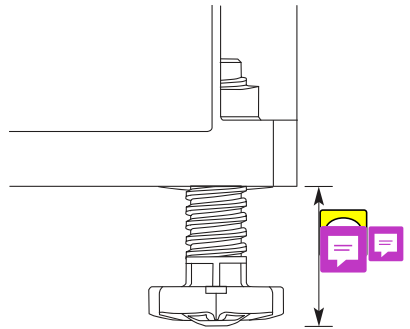
NOTES:

- If the floor was built up in for the front of the dishwasher, account for this difference when adjusting the rear leveling legs.
- Final leveling leg adjustments will be made following installation into the opening.



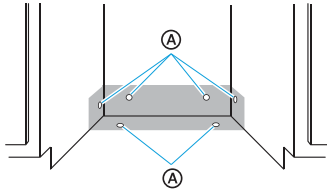
Ⓐ Adjust Leveling Legs to Installation Height

Leveling Leg Adjustment		
Opening Height	Front Legs	Back Legs
33 ³ / ₄ "	0	0
34"	0	1/4"
34 ¹ / ₄ "	1/4"	1/2"
34 ¹ / ₂ "	1/2"	3/4"
34 ³ / ₄ "	3/4"	1"
35"	1"	1 ¹ / ₄ "



Step 5. PREPARE INSTALLATION OPENING (if needed)

- The wiring and plumbing may enter the opening from either the right-hand or left-hand side of the rear wall, the side cabinets, or the floor within the 5" H x 3" D shaded area shaded area. See "Location Requirements" for dimensions.



Ⓐ Possible Utility Hole Locations

IMPORTANT: Any plumbing or electrical line run outside of the shaded area can become pinched.

- The electrical wire/cable, drain hose, and fill hose may enter through the same hole or separate holes in the floor or cabinet. 1½" (3.8 cm) diameter hole is recommended.

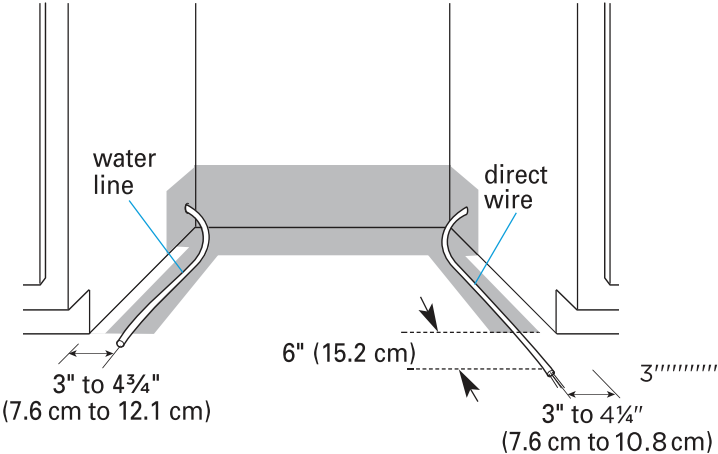
NOTE: Be sure to comply with local plumbing codes.

NOTE: The hole must be free of sharp edges. If the cabinet wall is metal, the edge of the hole must be covered with a bushing/grommet.

Step 5. VERIFY EXISTING UTILITY CONNECTIONS

WATER CONNECTION

- 1. Check that the water line reaches to the front, left-hand side of opening where the water connection will be made as shown in the following diagram.



ELECTRICAL CONNECTION

Electrical Connection to Dishwasher

- 1. Check that the direct wire cable extends a minimum of 6" beyond the front, right-hand side of the opening, and is routed as shown.

If the water line and the direct wire cable reach far enough to easily connect to the dishwasher, proceed to the next section "Install Mounting Brackets."

If the water line and the direct wire cable do NOT reach far enough, follow the instructions under "When There Are No Existing Utility Connections."

WHEN THERE ARE NO EXISTING UTILITY CONNECTIONS

PREPARE TO CONNECT POWER SUPPLY

Connect to the Power Supply using one of two Methods: Direct Wire Cable (Method 1) or Power Cord (Method 2). Follow the instructions specific to your installation.

WARNING



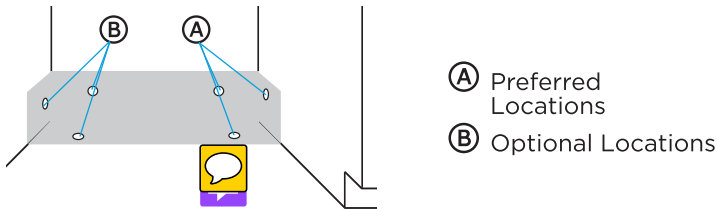
Electrical Shock Hazard

- Disconnect electrical power at the fuse box or circuit breaker box before installing dishwasher.
- Failure to do so can result in death or electrical shock.

Method 1 - Direct Wire

1. Drill a $\frac{3}{4}$ " (1.9 cm) hole into the right-hand cabinet, or the right-hand side of the back wall or floor of the opening. See following graphic for preferred and optional locations.

NOTE: Wiring the dishwasher will be easier if the wire is routed into the opening from the right-hand side.

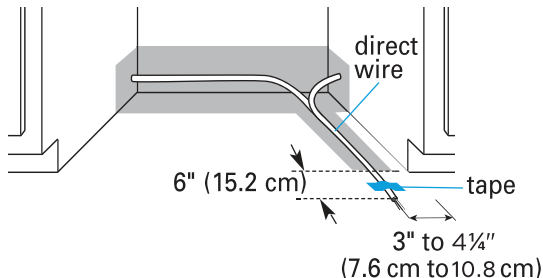


2. Smooth or cover rough edges of the hole that the wiring will pass through.

Wood Cabinet - Sand edge of hole until smooth.

Metal Cabinet - Cover edge of hole with grommet (not provided).

3. Route the cable from the power supply through the hole (cable must extend to the front, right-hand side of the opening). Extend cable to 6" (15.2 cm) in front of unit and tape the cable to the floor to keep it from moving when dishwasher is moved into the cabinet opening.

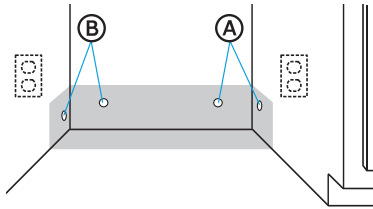


NOTE: You can tape the wire to the floor to secure it while dishwasher is moved into place.

Method 2 - Power Supply Cord

IMPORTANT:

- The power cord and connections must comply with the National Electrical Code, Section 422 and/or local codes and ordinances. Recommended cord length is 54" min. and 64" max.
 - A mating 3 prong, ground-fault circuit interrupter (GFI) wall receptacle is required in a cabinet next to the dishwasher opening.
 - A power cord kit part is available for purchase from an authorized parts dealer.
1. Drill a 1½" (3.8 cm) hole in the cabinet rear or side. Preferred and Optional locations are shown in the following graphic.
 2. Smooth edges of hole for power cord.
Wood Cabinet - Sand edges of hole until smooth.
Metal Cabinet - Cover edges of hole with grommet (not provided).
 3. Attach power cord to dishwasher before moving it into the opening. See "Connect Power Supply" section for proper installation technique.



- Ⓐ Preferred Locations
- Ⓑ Optional Locations

WARNING



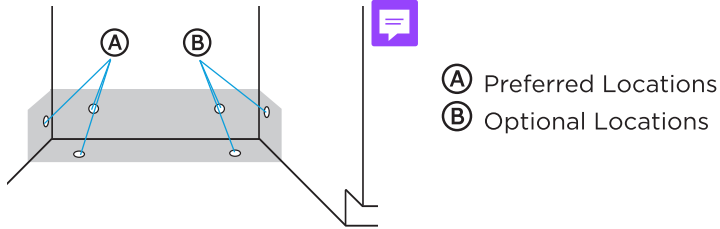
Electrical Shock Hazard

- Plug into a grounded 3 prong outlet.
- Do not remove the ground prong from the power cord plug.
- Do not use an adapter.
- Do not use an extension cord.
- Failure to do so can result in death, fire or electrical shock.

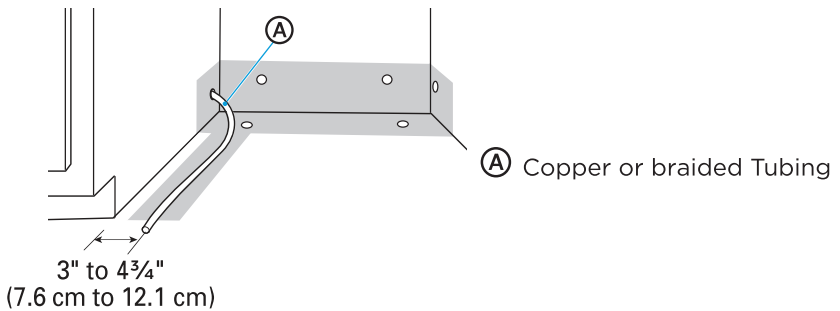


PREPARE TO CONNECT WATER LINE

1. Drill a $\frac{1}{2}$ " (1.3 cm) hole in the cabinet side, rear or floor. Preferred and optional locations are shown in the following graphic.



2. Attach copper tubing or braided dishwasher supply line to the manual shutoff valve.
3. Slowly feed the copper tubing or braided dishwasher supply line through the hole into the opening. Continue feeding the tubing, until there is enough length to connect to the inlet (front, left-hand side of the dishwasher) yet remain within the required boundary.



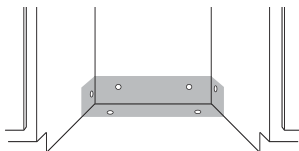
4. Slowly turn water shutoff valve to "ON" position. Flush water into a shallow pan to get rid of particles that may clog the inlet valve.
5. Turn shutoff valve to "OFF" position.

NOTE: You can tape the hose to the floor to secure it while dishwasher is moved into place.

PREPARE TO CONNECT DRAIN HOSE

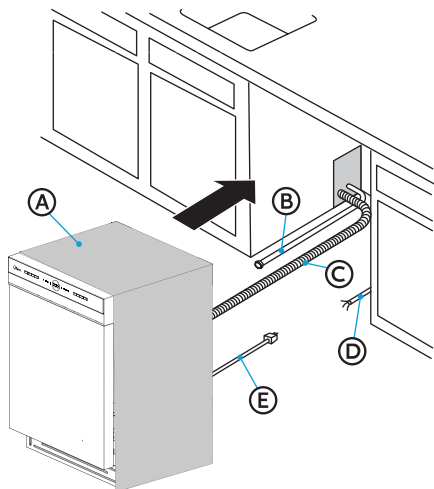
The drain hose will be connected to the house drain system after the dishwasher is installed in the opening.

1. Drill a $\frac{1}{2}$ " (3.8 cm) hole in cabinet wall or floor on the side of the opening closest to the sink.



CONNECT DRAIN HOSE TO HOME PLUMBING

1. Grasp the sides of the dishwasher at the edges of the door panel, and place the dishwasher in front of the opening.
2. Insert the drain hose into the hole in the cabinet wall.
3. Attach drain hose to the back of the dishwasher and secure with a hose clamp.



- (A) Insulation Blanket
- (B) Water Line
- (C) Drain Hose
(Maximum Length
10' [3.0 m])
- (D) House Wiring
- (E) Power Cord (If
Used)

SLIDE DISHWASHER PARTIALLY INTO OPENING

WARNING

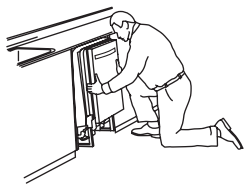


Tip Over Hazard

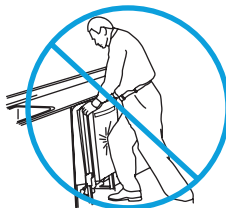
- Do not use dishwasher until completely installed.
- Do not push down on open door.
- Doing so can result in serious injury or cuts.

1. Position power supply.
 - If dishwasher has a power supply cord, insert power supply cord into the hole cut into the cabinet.
 - If using a direct-wire connection, check that the wiring is on the right front side of opening.
2. Make sure the drain hose is not kinked under the dishwasher and there is no interference with the water line and wiring or any other component.
3. Slowly move the dishwasher into the opening a few inches at a time. As you proceed, pull the drain hose, water supply hose and cord through the opening under the sink or cabinet. Stop pushing when the dishwasher is a few inches in front of the adjacent cabinetry.

NOTE: Do not push against the front of the panel or on the console - they will dent.



Reposition dishwasher by grasping both sides with hands.



Do not push against front door panel with knee. Damage to the door panel will occur.

4. Push dishwasher completely into the opening so that the front corners of the dishwasher door are flush with the cabinet doors.

NOTE: It is all right if the dishwasher fits tightly into cabinet opening. Do not remove insulation blanket - the blanket reduces the sound level.

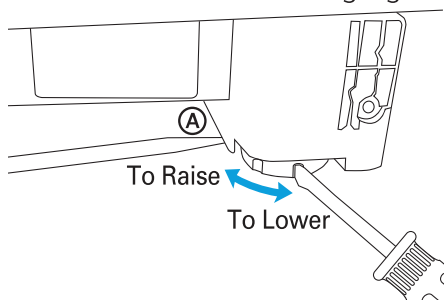
LEVEL DISHWASHER

IMPORTANT: Dishwasher must be level for proper dish rack operation and wash performance.

1. Level the dishwasher so that its front panel is aligned with the adjacent cabinet doors.

NOTE: With some installations, it may be easier to adjust the front leg using a flat blade screwdriver.

- To Lower - Turn the leveling leg counterclockwise.
- To Raise - Turn the leveling leg clockwise.



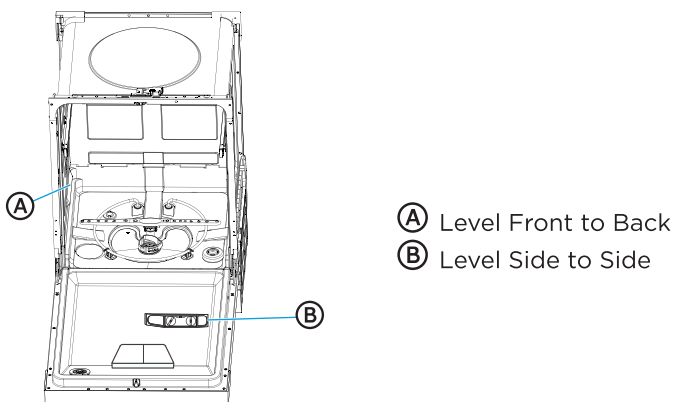
A Raise one side of the dishwasher

2. Check that the leveling legs are firmly against the floor.
3. Close and latch the door, and place level against the front panel. Check that dishwasher is plumb. If needed, adjust leveling leg or add shims until dishwasher is plumb.

NOTE: Shims must be securely attached to floor to prevent their movement when the dishwasher is operated.

4. Repeat for other side of dishwasher.

5. Place level on door and rack track inside the tub as shown. Check that dishwasher is level from side to side, and from back to front. If the dishwasher is not level, adjust front legs up or down until dishwasher is level.



NOTE: Pull lower rack out about halfway. If the rack rolls forward or back into the dishwasher, the dishwasher must be leveled again.

CONNECT TO POWER SUPPLY

DIRECT WIRE CABLE

WARNING

Electrical Shock Hazard



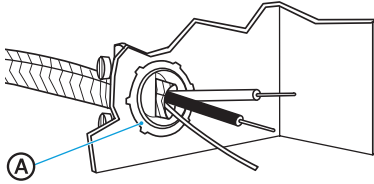
- Electrically ground dishwasher.
- Connect ground wire to green ground connector in terminal box.
- Do not use an extension cord.
- Failure to follow these instructions can result in death, fire, or electrical shock.

IMPORTANT: Contact a qualified electrician. Be sure that the electrical connection and wire size are adequate and in conformance with the National Electrical Code, ANSI/NFPA No. 70-latest edition and all local codes and ordinances.

1. Confirm that power is turned off at the source.
2. Remove terminal box cover. Retain for later use.

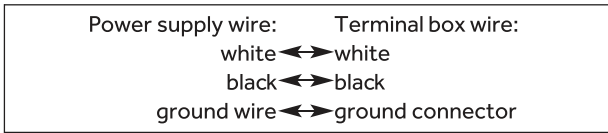


3. Install a UL listed/CSA approved strain relief.
4. Route the direct wire cable in the channel on the right-hand side of the dishwasher base. Make sure that the dishwasher is not resting on and/or pinching the wire.
5. Pull direct wire through strain relief in terminal box.



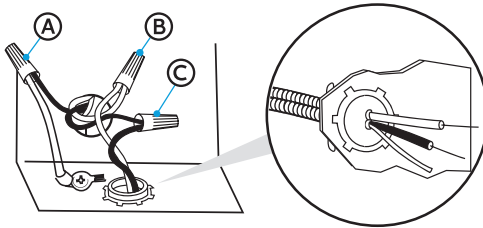
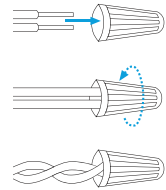
(A) Strain Relief

6. Connect the wires as follows using UL listed wire nuts of the appropriate size to connect direct wire to 16-gauge dishwasher wire.



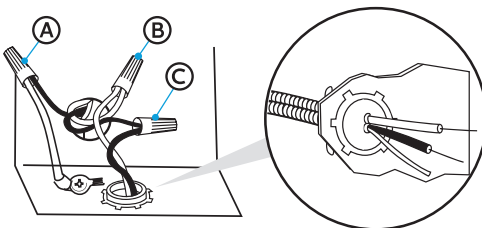
NOTES:

- Use UL listed wire nuts of the appropriate size to connect your household wiring to 16-gauge dishwasher wiring.
- Insert wire ends into twist on connector. Do not pre-twist bare wire.
- Twist connector.
- Gently tug on wires to be sure both wires are secured.



(A) Ground
(B) White
(C) Black

7. Tighten strain relief screws to secure cord.
8. Reinstall terminal box cover with wire nuts inside terminal box.
9. Make sure wires are not pinched by cover.



(A) Ground
(B) White
(C) Black

CONNECT POWER CORD

WARNING



Electrical Shock Hazard

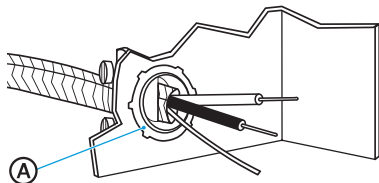
- Plug into a grounded 3 prong outlet.
- Do not remove the ground prong from the power cord plug.
- Do not use an adapter.
- Do not use an extension cord.
- Failure to do so can result in death, fire or electrical shock.

IMPORTANT: The power cord and connections must comply with the National Electrical Code, Section 422 and/or local codes and ordinances. Recommended cord length is 54" min. and 64" max.

1. Confirm that power is turned off at the source.
2. Remove junction box cover. Retain for later use.

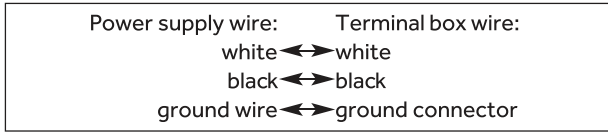


3. Install a UL listed/CSA approved strain relief.
4. Route power cord in the channel on the right-hand side of the dishwasher base. Make sure that the dishwasher is not resting on and/or pinching the wire.
5. Pull the power cord through the strain relief in the junction box.



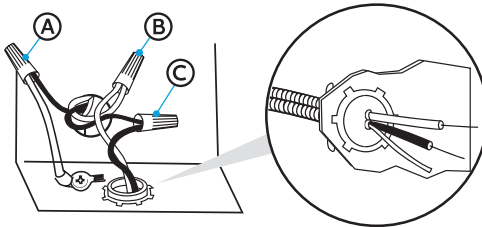
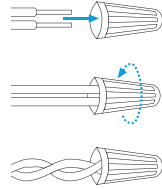
 Strain Relief

- Connect the wires as follows using UL listed wire nuts of the appropriate size to connect power cord to 16-gauge dishwasher wire.



NOTES:

- Use cUL/UL listed wire nuts of the appropriate size to connect the power cord to 16-gauge dishwasher wiring.
- Insert wire ends into the wire nut. Do not pre-twist bare wire.
- Twist the wire nut.
- Gently tug on wires to be sure both wires are secured.



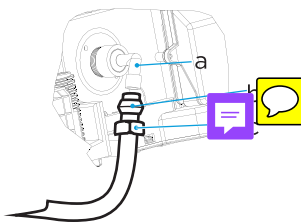
- (A) Ground
- (B) White
- (C) Black

- Tighten strain relief screws to secure the power cord.
- Gently guide the wire nuts into the junction box, and then replace the junction box cover making sure to not pinch the wires.

CONNECT TO WATER SUPPLY

IMPORTANT: Handle and reposition the copper tubing gently; it bends and kinks easily.

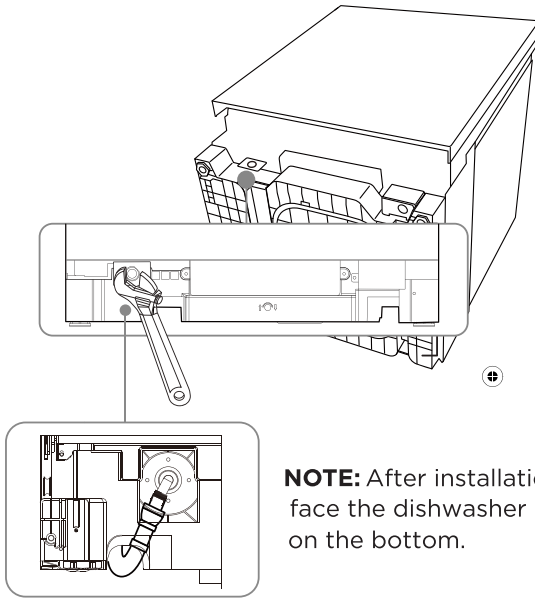
- Connect the water supply line to the 90° elbow. Do not overtighten



- a Elbow
- b Ferrule
- c Compression Nut

- Route the water supply line in the channel on the left-hand side of the base. To minimize the noise caused by vibration when using the dishwasher, make sure the supply line does not touch the dishwasher base, frame, or motor. Make sure the dishwasher is not resting on and/or pinching the supply line.

3. Tighten the compression nut until snug. Do not overtighten.
4. Place a paper towel under elbow, and then turn on the water supply to check for leaks.



NOTE: After installation, the elbow should face the dishwasher card slot at the right on the bottom.

CONNECT TO HOUSE DRAIN SYSTEM

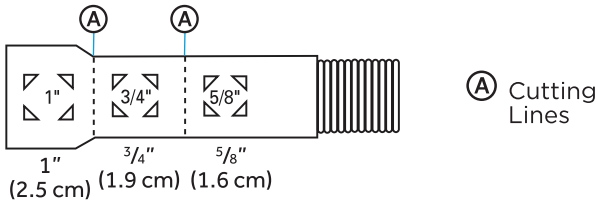
1. Connect the drain hose to the waste tee or garbage disposal using one of the following methods.
 - **Option 1** - Garbage Disposal - With Air Gap
 - **Option 2** - No Garbage Disposal- With Air Gap
 - **Option 3** - Garbage Disposal - No Air Gap*
 - **Option 4** - No Garbage Disposal - No Air Gap*

*an air gap is recommended

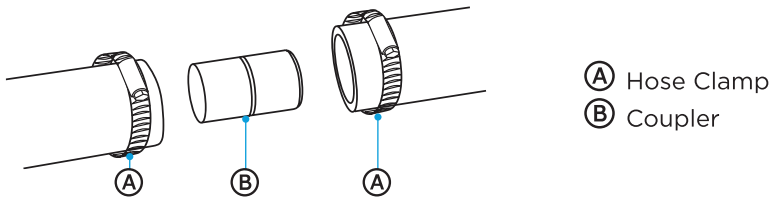
IMPORTANT:

- Always use a new drain hose when installing a new dishwasher.
- Total drain hose length must not exceed 10 ft (3.05 m), for proper drain operation.
- To minimize the noise caused by vibration when using the dishwasher, route the drain hose so that it avoids contact with the floor and the edge of the hole in the cabinet through which the hose passes.

- The molded end of the drain hose will fit $\frac{5}{8}$ " (1.6 cm), $\frac{3}{4}$ " (1.9 cm) or 1" (2.5 cm) diameter connections on an air gap, waste tee or disposal. Cut on the marked line as required for your installation.



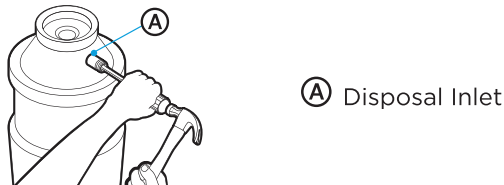
NOTE: Use $\frac{5}{8}$ " or $\frac{7}{8}$ " inside diameter hose and a coupler to connect the two hose ends. Secure the connection with hose clamps if an extension is required.



- Secure the drain hose to the air gap, waste tee or garbage disposal with clamps.

Option 1 - (Garbage Disposal - With Air Gap):

- Remove the knockout drain plug from the disposal inlet. Using a screwdriver and hammer, firmly tap the plug. The plug will separate and fall into the disposal.



- Remove the drain plug from the disposal.

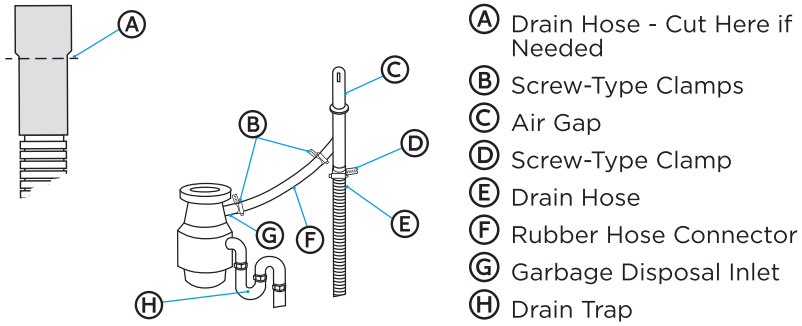


IMPORTANT: If you need to cut the drain hose to fit the diameter of the connection, cut only the rubber end of the hose, as shown earlier in this section (do not cut into the ridged section).

- Using a screw-type clamp*, attach the drain hose to the air gap. Cut the rubber end of the hose, as needed.

- Use a rubber hose connector* with a screw type clamp* to connect air gap to garbage disposal inlet.

NOTE: This connection must be located before the drain trap and at least 20" (50.8 cm) above the floor where dishwasher will be installed.



- (A) Drain Hose - Cut Here if Needed
- (B) Screw-Type Clamps
- (C) Air Gap
- (D) Screw-Type Clamp
- (E) Drain Hose
- (F) Rubber Hose Connector
- (G) Garbage Disposal Inlet
- (H) Drain Trap

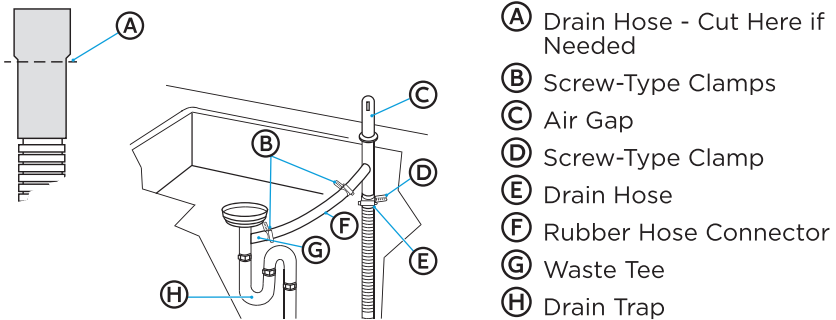
*Parts available from local plumbing supply store.

Option 2 - (No Garbage Disposal - With Air Gap):

IMPORTANT: If you need to cut the drain hose to fit the diameter of the connection, cut only the rubber end of the hose, as shown earlier in this section (do not cut into the ridged section).

- Attach drain hose to air gap with large screw-type clamp. Cut the rubber end of the drain hose, as needed.
- Use a rubber hose connector* with spring or screw type clamps* to connect air gap to garbage disposal inlet.

NOTE: This connection must be located before the drain trap and at least 20" (50.8 cm) above the floor where dishwasher will be installed.

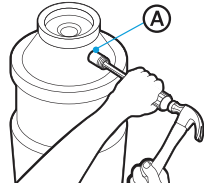


- (A) Drain Hose - Cut Here if Needed
- (B) Screw-Type Clamps
- (C) Air Gap
- (D) Screw-Type Clamp
- (E) Drain Hose
- (F) Rubber Hose Connector
- (G) Waste Tee
- (H) Drain Trap

*Parts available from local plumbing supply store.

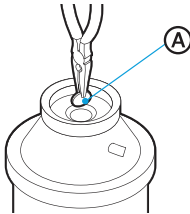
Option 3 - (Garbage Disposal - No Air Gap):

1. Remove the knockout drain plug from the disposal inlet. Using a screwdriver and hammer, firmly tap the plug. The plug will separate and fall into the disposal.



(A) Disposal Inlet

2. Remove the drain plug from the disposal.



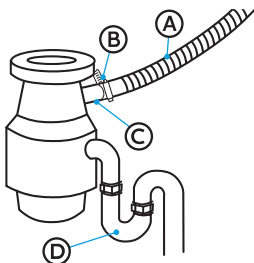
(A) Disposal Drain Plug

IMPORTANT: If you need to cut the drain hose to fit the diameter of the connection, cut only the rubber end of the hose, as shown earlier in this section (do not cut into the ridged section).

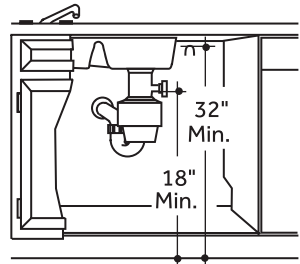
3. Using a screw-type clamp*, attach the drain hose to the garbage disposal inlet.

NOTES:

- This connection must be located before the drain trap and at least 20" (50.8 cm) above the floor where dishwasher will be installed.
- It is recommended that the drain hose be looped up and securely fastened to the underside of the counter at a minimum height of 32" (81.3 cm).



- (A) Drain Hose
- (B) Screw-Type Clamp
- (C) Garbage Disposal Inlet
- (D) Drain Trap





*Parts available from local plumbing supply store.

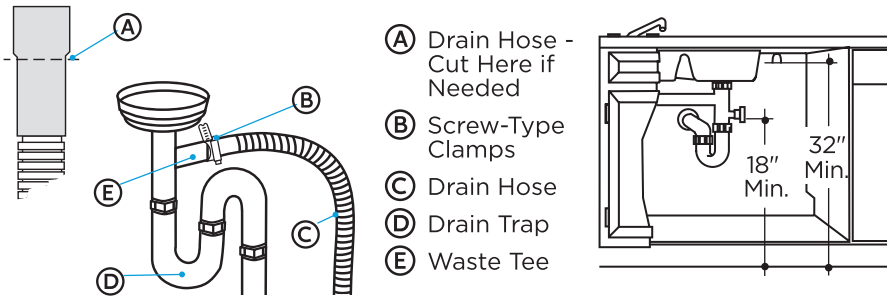
Option 4 – (No Garbage Disposal - No Air Gap):

IMPORTANT: If you need to cut the drain hose to fit the diameter of the connection, cut only the rubber end of the hose, as shown earlier in this section (do not cut into the ridged section).

1. Attach drain hose to waste tee with 1½" to 2" (3.8 to 5 cm) screw-type clamp*.



NOTES:

- This connection must be located before the drain trap and at least 20" (50.8 cm) above the floor where dishwasher will be installed.
- It is recommended that  drain hose be looped up and securely fastened to the underside  the counter at a minimum height of 32" (81.3 cm).



*Parts available from local plumbing supply store.

SECURE DISHWASHER

IMPORTANT: The dishwasher must be secured  the counter top or adjacent cabinets to keep it from tipping when  door is opened.

Follow the instructions to install mounting brackets in the manner required for your installation method. You will secure the dishwasher after it is connected to the utilities and moved into the opening.

WARNING

Excessive Weight Hazard

- Use two or more people to move and install dishwasher.
- Failure to do so can result in back or other injury.

Installation to Adjacent Cabinets

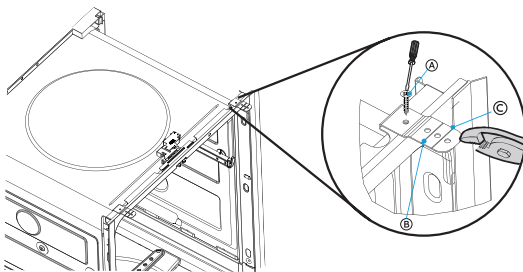
There are 2 options for securing the dishwasher. If the countertop is made of wood or a material that can safely be drilled into, you can use option 1 or option 2 below. If the countertop is granite, marble, or a material that cannot be drilled, use option 2 below.

Option 1 - Securing Dishwasher to Countertop

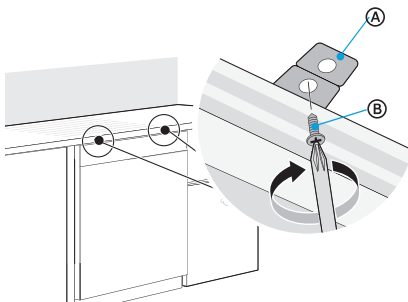
To enable you to secure the dishwasher to the countertop, install two mounting clips to the top of the dishwasher.

1. With the help of two or more people, stand the dishwasher upright.
2. Insert the top-mounting clips into the upper frame. Secure the mounting clip to the edge hole of the upper frame with provided #6 X 1/2" screw.
3. Secure the top-mounting clips to the underside of the wood countertop with provided #8 X 3/4" screw.

NOTE: The top mounting clips have scored lines, to allow a section of the clip to be removed, if necessary, to fit the depth of the cabinet. Slide the dishwasher in completely to the desired position to determine which section, if any, needs to be removed.



- A # 6 x 1/2" screw
- B Top-mounting Clip
- C Scored lines

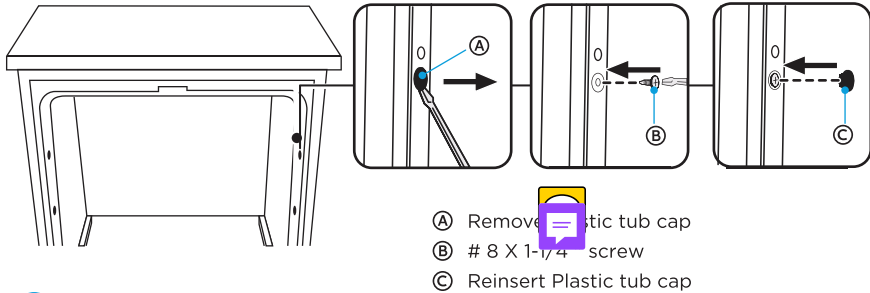


- A # 8 x 3/4" screw
- B Top-mounting Clip



OPTION 2 - Securing Dishwasher to Adjacent Cabinets

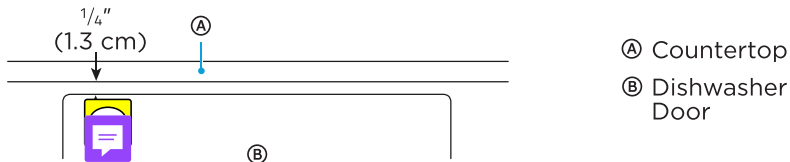
1. Remove the plastic tub caps from the inside of the dishwasher tub.
2. Drive #8X1-1/4" screw through the hole in the side of the dishwasher into the cabinet frame(Repeat for each side).
3. Reinsert the plastic tub caps.



! CAUTION

Do not Overtighten Side Screws

4. Close dishwasher door and verify that gap between the countertop and the top of the dishwasher door is at least 1/4" (0.64 cm).



7. Reinstall the lower dish rack.
8. Remove towel from dishwasher.

PRE-TEST CHECKLIST

1. Check that the power is OFF.
2. Check door opening and closing. If door does not open and close freely or tends to fall, check spring adjustments. See "Check Door Balance."
3. Check that wiring is secure under the dishwasher, not pinched or in contact with door springs or other components. See "Position the Water Line and House Wiring."
4. Check door alignment with tub. Dishwasher front (door opening) must be square for dishwasher door to open/close smoothly and with little resistance.
5. Pull out the lower rack, about halfway. Check that the rack does not roll back into the dishwasher or forward onto the door. If the rack moves, adjust leveling legs. See "Level the Dishwasher."

6. Check door alignment with cabinet. If door hits cabinet, reposition or level the dishwasher. See “Level the Dishwasher.”
7. Verify that the water supply and drain lines are not kinked or in contact with other components.
8. Turn on the sink hot water faucet and verify water temperature. Incoming water temperature must be between 120°F and 150°F (49°C and 65°C). A minimum of 120°F (49°C) temperature is required for best wash performance.
9. Add 2 quarts (1.9 L) of water to the bottom of the dishwasher to lubricate the pump seal.
10. Turn on water supply. Check for leaks. Tighten connections if needed.
11. Remove protective film, if present, from the control panel and door.

TEST DISHWASHER

WARNING




Electrical Shock Hazard

- Electrically ground dishwasher.
- Connect ground wire to green ground connector in terminal box.

If connecting with a power cord:

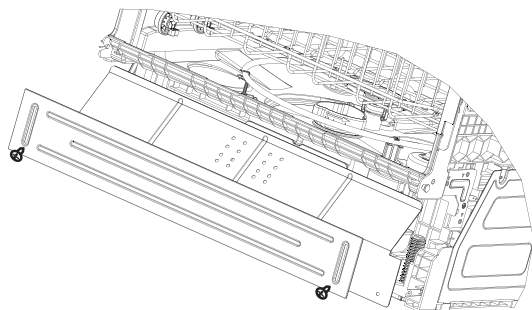
- Plug into a grounded 3-prong outlet.
- Do not use an adapter.
- Do not remove the ground prong from the power cord plug.
- Do not use an extension cord.
- Failure to follow these instructions can result in death, fire, or electrical shock.

- If using a direct wire cable, turn on power at source.
 - If using a power cord, plug cord into a grounded 3-prong outlet. Make sure the power cord does not touch the motor or the lower part of the dishwasher tub, and then turn on power at source.
1.  Connect to power supply.
 2. On the Control Panel, press the controls needed to start the shortest cycle. See the User Manual for instructions.
 3. Firmly close the dishwasher door within 4 seconds of pressing START.
 4. After the first 2 minutes, open the door. Check to see that there is water in the bottom of the dishwasher tub. If water has not entered the dishwasher, check that the water and power supplies are turned on.

5. Check for leaks under the dishwasher. If a leak is found, turn power and water supply off, then tighten connections. Restore power after leak is corrected.
6. Check for leaks around the door. A leak around the door could be caused by door rubbing or hitting against adjacent cabinetry. Reposition the dishwasher, if necessary.
7. When the dishwasher is draining, check the drain lines. If leaks are found, turn power off at the breaker and correct plumbing as necessary. Restore power after corrections are made.
8. Open dishwasher door and make sure most of the water has drained. If not, check that disposal plug has been removed and/or air gap is not plugged. Also check drain line for kinking.
9. Run the dishwasher through another fill and drain cycle. Check for leaks and correct, if needed.

REPLACE THE KICK PLATE

1. Place the kick plate against the legs of the dishwasher. The slots in the kick plate should align with the screw holes in the bracket. Allow the bottom edge of the kick plate to touch the floor.
2. Using screws (provided), fasten the kickplate to the dishwasher.



Kenmore®

For Customer Care go to:

www.kenmore.com/contact-us/

to select your local area or retailer where this appliance was purchased for contact information on scheduling in-home repair service or ordering replacement parts.

Para el servicio de atención al cliente diríjase a:

www.kenmore.com/contact-us/

Aquí podrá seleccionar el área o el establecimiento local donde compró el electrodoméstico para obtener información de contacto y programar un servicio de reparación a domicilio o solicitar piezas de repuesto.

Pour l'assistance à la clientèle, visitez :

www.kenmore.com/contact-us/

et sélectionnez votre région ou le détaillant auprès duquel cet appareil a été acheté afin d'obtenir des informations sur la programmation d'un service de réparation à domicile ou la commande de pièces de rechange.

