

Use & Care Guide
Manual de uso y cuidado
Guide d'utilisation et d'entretien
English / Español / Français

Models/Modelos/Modèles: 263.1460#

Kenmore®

Dishwasher

Lavavajillas

Lave-vaisselle

= color number, número de color, numéro de la couleur

Transform SR Brands Management LLC
Hoffman Estates, IL 60179
www.kenmore.com



CONTENTS

WARRANTY	3
1 IMPORTANT SAFETY INSTRUCTIONS	6
2 INSTALLATION.....	11
3 TECHNICAL SPECIFICATIONS	13
4 BEFORE USING THE APPLIANCE	14
5 LOADING YOUR DISHWASHER.....	16
6 CYCLES AND OPTIONS TABLE.....	22
7 THE CONTROL PANEL.....	24
8 MAINTENANCE AND CLEANING	27
9 TROUBLESHOOTING	30
10 PRACTICAL INFORMATION.....	33

Kenmore Limited Warranty

Kenmore® products are sold and distributed by Kenmore and Kenmore authorized distributors and licensees in various countries.

For information on the limited warranty and authorized provider applicable to your product and country please visit: <https://www.kenmore.com/warranty-information/>






For a printed copy please contact us at **1-844-553-6667** or at the address below:

ATTN: Kenmore Warranty Request
5407 Trillium Suite B120
Hoffman Estates, IL 60192

Thank you for choosing this product.

This user manual contains important information on safety and instructions intended to assist you in the operation and maintenance of your appliance.


Please take the time to read this user manual before using your appliance and keep this book for future reference.


Icon	Type	Meaning
	WARNING	Serious injury or death risk
	RISK OF ELECTRIC SHOCK	Dangerous voltage risk
	FIRE	Warning; Risk of fire / flammable materials
	CAUTION	Injury or property damage risk
	IMPORTANT / NOTE	Operating the system correctly


INTRODUCTION

Please read this user manual and particularly the safety instructions completely and carefully. They will save you time and effort and help to ensure optimum dishwasher performance.

Be sure to observe all listed warnings and cautions. Look particularly for the icons with exclamation marks inside. The information icon will also provide important references.

 **WARNING:** Indicates a potentially hazardous situation which, if not avoided, could result in death or serious injury.

 **CAUTION:** Indicates a potentially hazardous situation which, if not avoided, may result in injury. It may also be used to alert against unsafe practices.

 **NOTICE:** Indicates a potentially hazardous situation which, if not avoided, may result in damage to the dishwasher, the tableware, the equipment or the environment.

1 IMPORTANT SAFETY INSTRUCTIONS

WARNING: When using the dishwasher, follow basic precautions. Read all instructions before using the dishwasher! Save these operating instructions and pass them on to any future user.

- Use the dishwasher only for its intended purpose as described in this user manual. This appliance is intended for normal household use only. Do not change the specification of the appliance. **The manufacturer disclaims responsibility for damage or injury caused by improper use of this appliance.**
- The information in this user manual must be followed to minimize the risk of fire or explosion and to prevent property damage, personal injury or loss of life.
- Use only detergents or rinse aids recommended for use in a dishwasher and keep them out of the reach of children.
- When loading items to be washed:
 - 1) Locate sharp items so that they are not likely to damage the door seal.
 - 2) Load sharp knives with the handles up to reduce the risk of type injuries.
- Do not wash plastic items unless they are marked “dishwasher safe” or the equivalent. For plastic items not so marked, check the manufacturer’s recommendations.
- Do not operate your dishwasher unless all ENCLOSURE panels are properly in place.
- Do not tamper with controls.

- Do not abuse, sit on, or stand on the door or dish rack of the dishwasher.
- The cup shelves are designed to support cups, glasses and kitchen utensils. When the cup shelves are in the dishwasher do not lean on or use the cup shelves to support your body weight.
- This appliance must be grounded. In the event of a malfunction or breakdown, grounding will reduce the risk of electric shock by providing a path of least resistance for electric current.

 **WARNING:**

- Improper connection of the equipment grounding conductor can result in a risk of electric shock. Check with a qualified electrician or service representative if you are in doubt whether the appliance is properly grounded.
- Some dishwasher detergents are strongly alkaline. They can be extremely dangerous if swallowed. Avoid contact with the skin and eyes and keep children and persons unfit to operate the dishwasher away when the door is open.
- Consult a doctor immediately if detergent has been swallowed or inhaled.
- Do not remove the dishes from the appliance until the cycle is complete. Some detergent may remain on the dishes.
- Check that the detergent dispenser is empty after the completion of each wash cycle.

- Do not drink and play with the water in the appliance as harmful residues could be present.
- To reduce the risk of injury, do not allow children to play in or on a dishwasher.
- When children become old enough to operate the appliance, it is the responsibility of the parents/legal guardians to ensure the children are instructed in safe practices by qualified persons.
- Do not leave the appliance with the open door unattended to avoid stepping accidentally onto it.

⚠ WARNING: Before any maintenance operation, deactivate the appliance and disconnect the machine from the electrical supply

- Do not use high pressure water sprays and/or steam to clean the appliance.
- Ensure that there are no visible water leaks during and after the first use of the appliance.
- To avoid floor damage and possible mold growth, do not allow wet areas to remain around or under the dishwasher.
- To avoid dishwasher damage, do not allow water to remain in your dishwasher systems through extended periods of freezing.

RISK OF INJURY: To avoid risk of injury, always use caution when opening the door during or following a wash cycle as hot water or steam may escape.

- Do not store or use flammable liquids or vapors in the area of the dishwasher, near or on the appliance.

- Under certain conditions, hydrogen gas may be produced in a hot water system that has not been used for two weeks or more. **HYDROGEN GAS IS EXPLOSIVE.** If the hot water system has not been used for such a period, before using the dishwasher turn on all hot water faucets and let the water flow from each for several minutes. This will release any accumulated hydrogen gas. As the gas is flammable, do not smoke or use an open flame during this time.
- Please check the water supply line periodically. It is susceptible to breakage. It becomes less flexible as time goes by. Replace it immediately when it is torn, cut, swollen or there is water leakage.
- Please keep the dishwasher packaging out of the reach of children after unpacking it.

WARNING!:

Risk of injury or suffocation! Ensure that any plastic wrappings, bags, small pieces etc. are disposed of safely and kept out of the reach of children.

RECYCLING

Remove the door to the washing compartment when removing an old dishwasher from service or discarding it. Ensure that the appliance presents no danger to children while being stored for disposal. Before disposing the dishwasher:

- Disconnect the appliance from the electrical supply.
- Cut off the connections between electrical supply and junction box of dishwasher.
- Remove the door catch to prevent children and pets from getting closed in the appliance.
- Old appliances may contain materials that can be recycled. Please contact your local recycling authority about the possibility of recycling these materials.

SAVE THESE INSTRUCTIONS

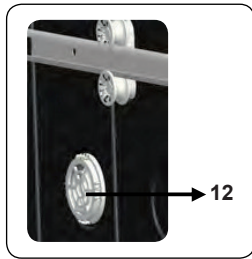
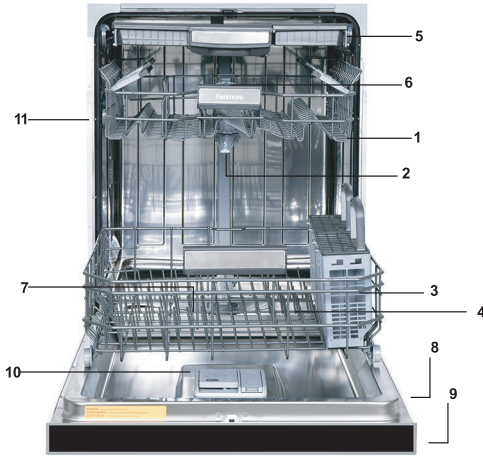
2 INSTALLATION

⚠ WARNING: When installing the dishwasher, follow the Installation Instructions provided with the product.

- Installation, maintenance and repair should be performed by a qualified installer. Work by unqualified persons could be dangerous and may void the warranty.
- Do not operate the appliance if damaged, malfunctioning, partially disassembled or if it has missing or broken parts.
- Before installation or service, disconnect the power supply to the work area by unplugging the unit, “tripping” the circuit breaker or removing the fuse.
- Only connect the dishwasher to the power supply when all installation and plumbing work is complete.
- Never connect the ground wire to gas lines, hot water pipes or plumbing lines.
- Do not install or store the dishwasher where it can be exposed to below freezing temperatures or exposed to weather.
- Dishwasher must be secured to adjacent cabinetry using the brackets provided. Failure to do this may cause damage to property or bodily injury.
- Connect to a properly rated, protected and sized power supply circuit to avoid electrical overload. The dishwasher is designed for an electrical supply of 120 V (volts), 60 Hz (hertz), AC, connected to a dishwasher-dedicated, properly grounded electrical circuit with a fuse or breakers rated for 15 amperes.

- Electrical supply conductors shall be a minimum of # 16 AWG copper wire rated at 90 °C (194 °F) or higher. These requirements must be met to prevent injury and machine damage. Consult a qualified electrician if in doubt.
- Do not use any extension cord or portable outlet device to connect the dishwasher to a power supply.

3 TECHNICAL SPECIFICATIONS



General Appearance

1. Upper rack with shelves
2. Upper spray arm
3. Lower rack
4. Lower spray arm
5. Third Rack
6. Top nozzle
7. Filters
8. Rating plate
9. Control panel
10. Detergent and rinse-aid dispenser
11. Upper rack track latch
12. Drying Unit: This system provides better drying performance for your dishes.

Technical Specifications

Permissible water pressure	4.35 - 145 psi (0.3 - 10 bars)
Electrical connection	120 V (volts), 12 A (amps), 60Hz (hertz)
Total power	1400 (W)
Heater power	1100 (W)



NOTICE: Because we continually strive to improve our products, we may change our specifications and design without prior notice. This device corresponds to the following directives: UL 749 Household Dishwasher directive.

4 BEFORE USING THE APPLIANCE

Preparing your dishwasher for first use

- Make sure the electricity and supply water specifications match the values indicated in the installation instructions for the machine.
- Remove all packaging material inside the machine.
- Fill the rinse aid compartment.

Detergent usage

Only use detergents specifically designed for domestic dishwashers. Store detergents in cool, dry places out of reach of children.

Add the proper detergent for the selected cycle to ensure the best performance. The amount of detergent needed depends on the cycle, load size, and soil level of dishes.

Do not overfill the detergent compartment. Using too much detergent can cause discoloration on glasses and dishes and glass corrosion. Continued use of too much detergent may cause machine damage.

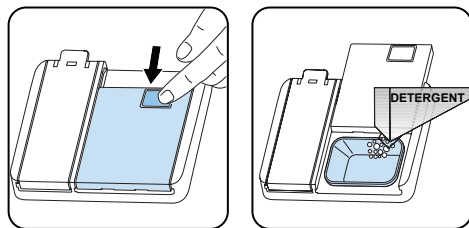
Using too little detergent can result in poor cleaning and whitish streaks, especially in hard water.

See the detergent manufacturer's instructions for a further information.

Filling the detergent

Push the latch to open the dispenser and pour in the detergent.

Close the lid and press it until it locks in place. The dispenser should be refilled just before the start of each cycle. If the dishes are heavily soiled, place additional detergent in the pre-wash detergent chamber.



Using detergent pacs

These products should be used according to the manufacturer's instructions.

Never put detergent pacs into the interior section or the cutlery basket.

Detergent pacs contain not only the detergent but also rinse aid, salt replacement substances and additional components depending on the combination.

We recommend you do not use detergent pacs in short cycles. Please use powder or liquid detergents instead of detergent pacs in short cycles.

If you encounter problems when using detergent pacs, please contact the detergent manufacturer.

When you stop using detergent pacs, make sure that rinse aid setting is set to the correct level.

Rinse-aid usage

The rinse aid helps to dry the dishes without streaks and stains. Rinse aid is required for stain-free utensils and clear glasses. The rinse aid is automatically released during the hot rinse phase. If rinse aid setting is too low, whitish stains remain on dishes and dishes do not dry or wash clean.

If rinse aid setting is too high, bluish layers on glasses and dishes may be seen.

Filling the rinse-aid and setting

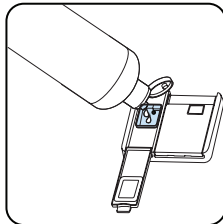
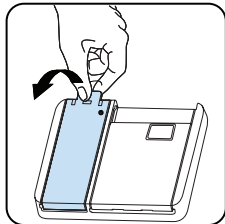
To fill the rinse aid compartment, open the rinse aid compartment cap. Fill the compartment with rinse aid to the MAX level and then close the cap. Be careful not to overfill the rinse aid compartment and wipe up any spills.

In order to change the rinse aid level, follow the below steps

- Turn on the machine by pressing the Power button.
- Press the Cycles button for at least 5 seconds immediately after the machine is turned on.
- Release the Cycles button when "rA" is shown. Next, the last setting level is displayed.
- Set the level by pushing the Cycles button.
- Switch off the machine to save the setting.

The factory setting is “4”.

If the dishes are not drying properly or are spotted, increase the level. If blue stains form on your dishes, decrease the level.





Level	Rinse Aid Dose	Indicator
1	Rinse-aid not dispensed	r:1 is shown on the display.
2	1 dose is dispensed	r:2 is shown on the display.
3	2 doses are dispensed	r:3 is shown on the display.
4	3 doses are dispensed	r:4 is shown on the display.
5	4 doses are dispensed	r:5 is shown on the display.


5 LOADING YOUR DISHWASHER


Proper loading of the dishwasher will help it run efficiently with the best possible washing and drying performance.


The lower rack can accommodate large and deep items such as pots with long handles, pot lids, plates, salad plates and cutlery sets. The upper rack has been designed for dessert plates, salad bowls, cups and glasses. When placing long stem glasses and goblets, lean them against the basket edge, rack or glass supporter wire and not against other items. Do not lean long glasses against one another or they cannot remain steady and may be damaged. It is more appropriate to locate the thin and narrow shaped items into the middle sections of racks. Place spoons in separate openings of the silverware basket and do not allow them to nest. Use the silverware basket to obtain the best cleaning result for spoons, forks, and knives. To avoid any possible injuries, always place such long-handle and sharp-pointed items as serving fork, bread knife etc. with their sharp points facing down or horizontally on the baskets.


 **WARNING:** Place your dishes into your machine in a way that they will not prevent the upper and lower spray arms from spinning.


 **NOTE:** Place all large and very dirty items in the lower rack.

 **WARNING:** Do not put in the appliance items that can absorb water (sponges, household cloths).

 **NOTE:** Place all containers such as cups, glasses and pots into the dishwasher with the opening facing downwards (so that no water can collect).


 **NOTE:** Dishes and cutlery should not be placed above each other.

 **NOTE:** Do not overload your dishwasher and pay attention to manufacturer instructions regarding dishes which are appropriate for use in a dishwasher. Only with suitable dishes (mentioned in section 5) will you obtain optimal washing results with a sensible use of energy. High temperature water and dishwasher detergent may form a chemical synthesis that can damage certain items.

 **WARNING:** Be careful when loading and unloading sharp items. Load sharp knives with the handles up to reduce the risk of personal injury.

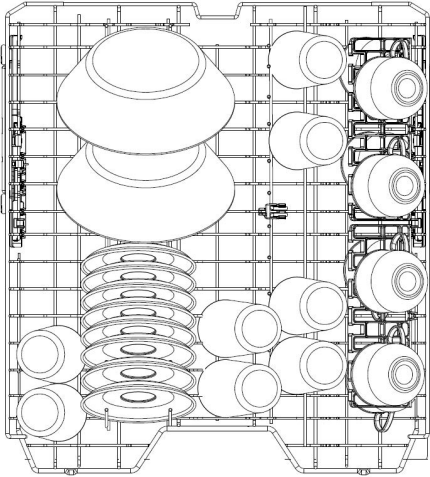
Follow the below steps before loading dishwasher.

1. Open the door.
2. Remove coarse food leftovers from tableware.
3. Load the dishwasher.

 **NOTE:** While the appliance is running if you open the door all functions are automatically interrupted. Once the door is closed functions will continue to work.

Upper Rack

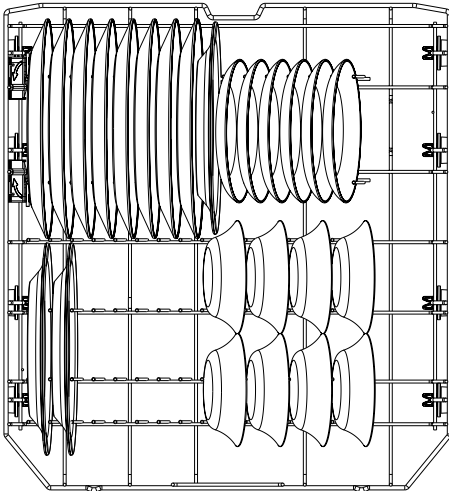
Load the upper rack with dessert plates, cups, glasses etc.



Top rack load pattern for 8 place settings.

Lower Rack

You can load into the lower rack such round and deep items as pots with long handles, pot lids, plates, salad plates, cutlery sets. The lower rack should not be used for small items such as cups or wine glasses.



NOTE: Place all large and very dirty items in the lower rack.



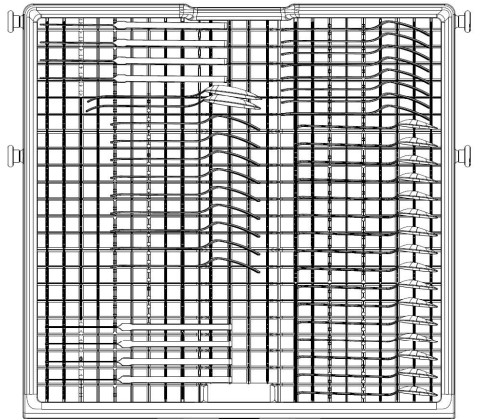
WARNING: Large knives and other utensils with sharp tips and edges must be placed horizontally into the upper rack due to risk of injury. Other smaller knives and sharp utensils should be placed with sharp side down in the silverware basket.



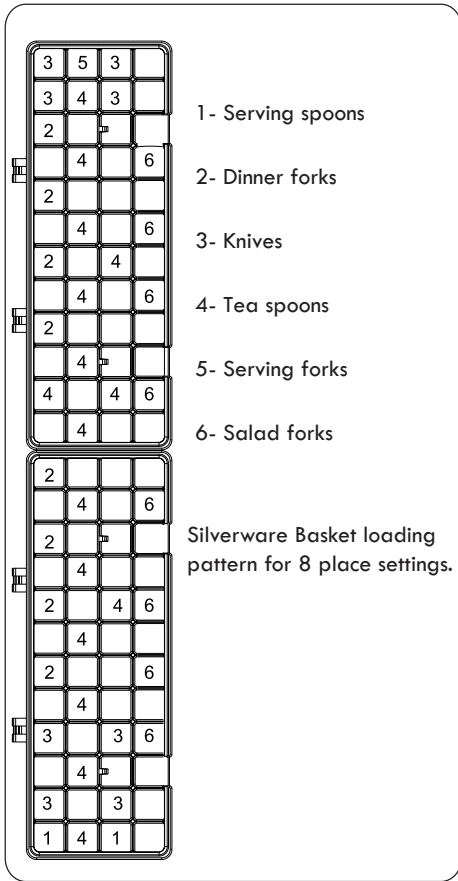
NOTE: Make sure that large items do not interfere with the rotation of the spray arms, and do not prevent the detergent dispenser from opening.

Third Rack (Some Models)

The third rack can be loaded with items such as knives, spoons, forks, serving spoons, etc.



Third rack load pattern for 8 place settings.



1- Serving spoons

2- Dinner forks

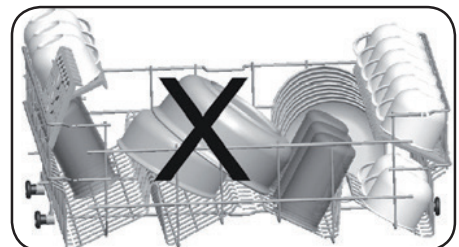
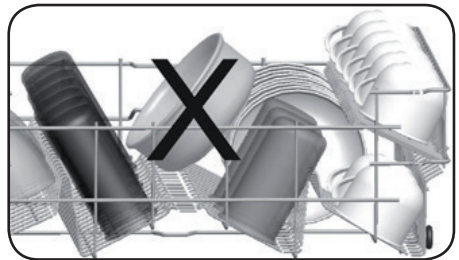
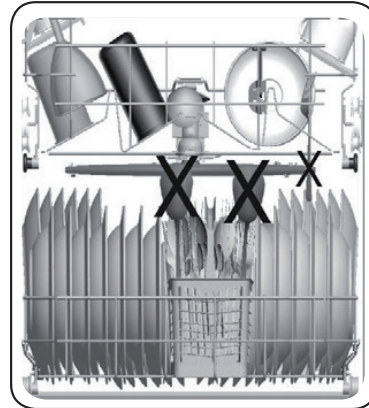
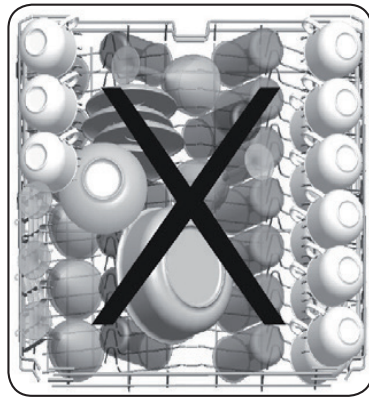
3- Knives

4- Tea spoons

5- Serving forks

6- Salad forks

Silverware Basket loading pattern for 8 place settings.



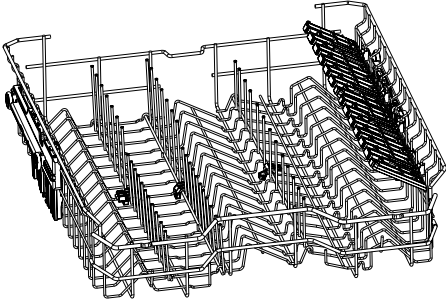
Incorrect Loads

Incorrect loading can cause poor washing and drying performance. Please follow the manufacturer's recommendations for a good result.

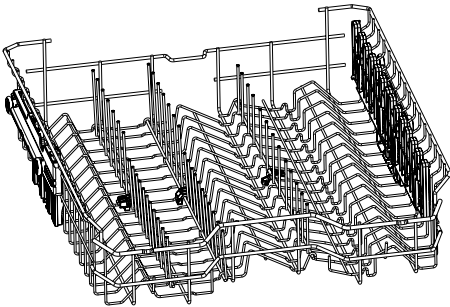
Upper Rack with Cup Shelf

These shelves are designed to increase the capacity of upper rack. Place cups and glasses on this rack. Use the adjustment feature to accommodate different size items.

Place long knives, forks and spoons on these shelves horizontally for them not to block the movement of spray arms.



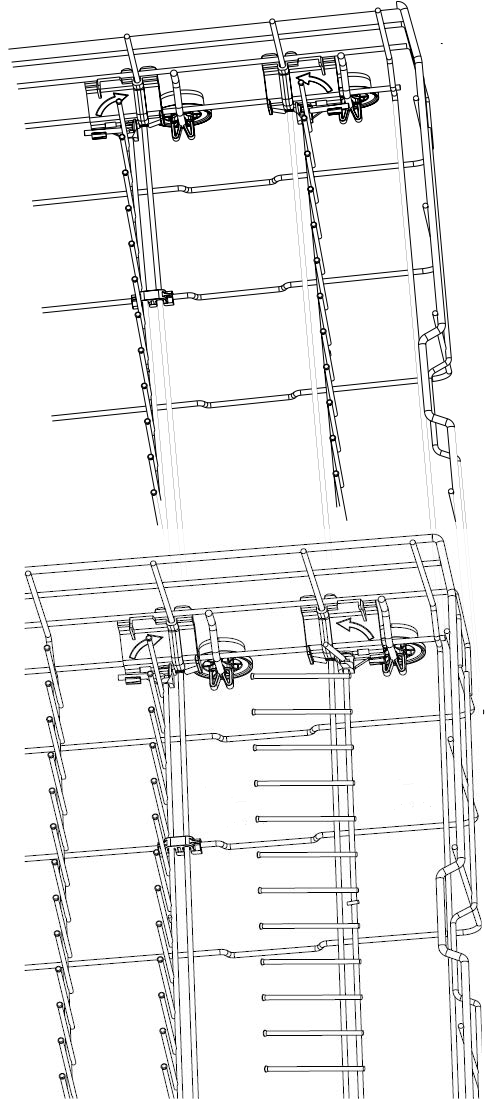
CUP SHELF OPEN POSITION



CUP SHELF CLOSED POSITION

Lower Rack Folding Tines

There are two folding tine sections in the lower rack. The tines can be folded down to allow for easier loading of large items such as pots and pans. Each of the two tine sections can be folded down separately or all of them can be folded together to create a larger loading area.



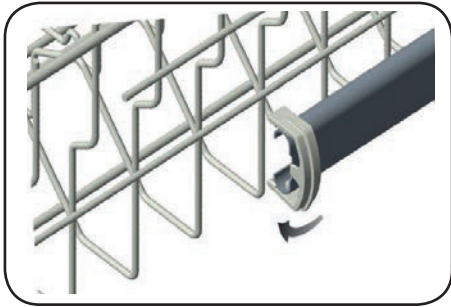
Upper Rack Height Setting - When Rack is Empty

In certain models, the height setting of the upper rack may be changed using the wheels which are present at two height levels.

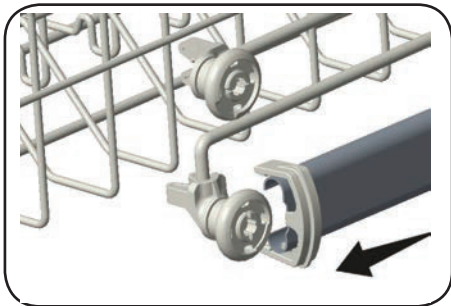


NOTICE: Bringing the wires to the horizontal position by holding them from the tips may cause them to bend. Therefore, it will be appropriate to bring the wires in the middle to horizontal or vertical position by holding them from their stems and pushing.

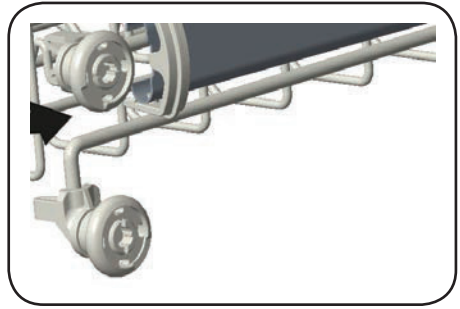
1. Release the latches on both the right and left tracks of the upper rack by turning them to the outside A.



2. Pull out the rack completely B.

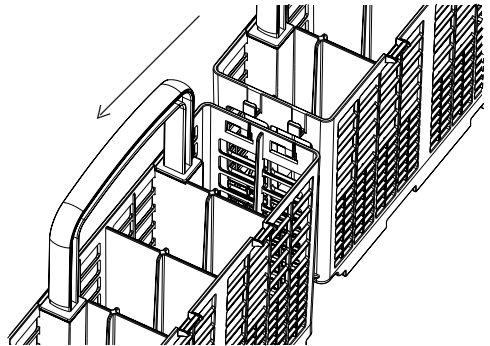


3. Place the rack into the tracks again at the desired height C.

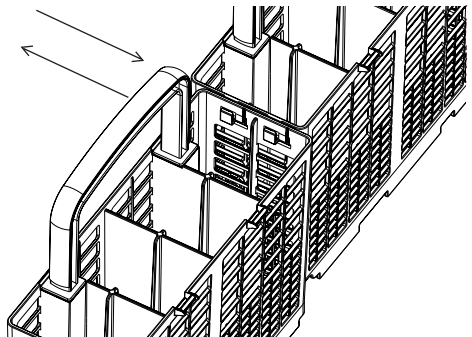


4. Push the latches back into the correct position.

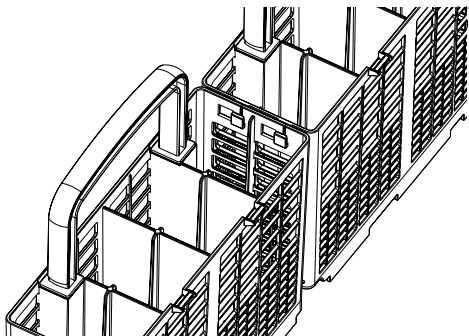
There are two silverware baskets in the dishwasher. The two baskets can be assembled together or used separately. Follow the steps below to assemble.



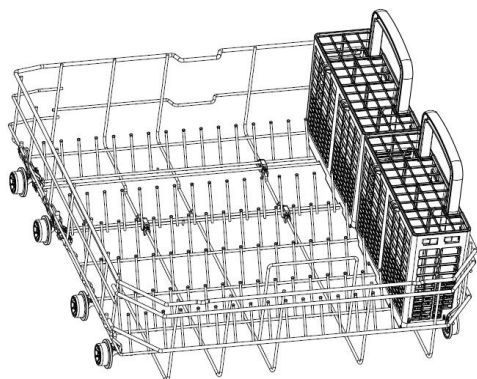
The tabs on the basket are aligned with the opening on the other basket.



Push the baskets together with the tab on one basket aligning with the slot on the other basket.



The tab is slid into place to join the baskets together.



The silverware baskets are placed in the lower rack.

6 CYCLES AND OPTIONS TABLE

Cycles		Duration (min)	Descriptions
Normal	Dirty	145	Standard cycle for daily, regular or typical use to completely wash a load of normally soiled dishes.
	Clean	122	
Smart Wash	Dirty	155	This cycle automatically adjusts the temperature and the quantity of water, the energy consumption and the cycle duration.
	Clean	110	
Pots&Pans		130	Suitable for heavily soiled dishes.
Delicate		90	Suitable for lightly soiled delicate dishes.
Express		50	Suitable for normally soiled daily dishes when fast results are needed.
Quick Rinse		15	For rinsing dishes that will be washed later.

Compatibility of Cycles and Options		Options						
		Delay Start	Accela Wash	Quiet Wash	Half Load	Extra Dry	Sani Rinse	High Temp
Cycles	Normal	√	√	√	√	√	√	√
	Smart Wash	√	√	√	√	√	√	√
	Pots&Pans	√	√	√	√	√	√	√
	Delicate	√	√	√	√	√	X	X
	Express	√	X	X	√	√	√	√
	Quick Rinse	√	X	X	√	X	X	X



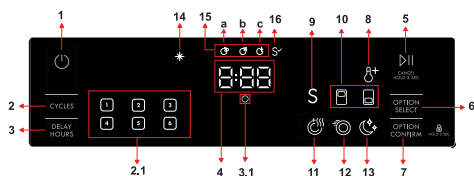
NOTE: The cycle duration may change according to the amount of dishes, the water temperature, the ambient temperature and selected additional functions.



NOTE: The energy-usage label is based on the “Normal” cycle. This cycle is the most efficient in terms of its combined energy and water consumption at cleaning normally soiled dishes. The Energy Guide Label is based on the normal soil detection cycle. In this cycle, the dishwasher was tested without any rinse aid in the rinse aid dispenser, with a single dose of detergent in the detergent dispenser and detergent used for the prewash step. For cycles with prewash, a dose of detergent can be added on the inside of the cabinet door. We recommend that the rack position for crockery loads be set to the highest position as in the energy certificate test.

- Only use powder or liquid detergent for short cycles.
- Short cycles do not include drying.
- To assist drying, we recommend slightly opening the door after a cycle is complete.

7 THE CONTROL PANEL



1. Power Button
2. Cycles Button
- 2.1 Cycle Indicators
3. Delay Hours Button
- 3.1 Delay Indicator
4. Remaining Time Indicator
5. Start/Pause Button
6. Options Select Button
7. Options Confirm Button
8. High Temp Option Indicator
9. Sani Rinse Option Indicator
10. Half Load Option Indicators
11. Extra Dry Option Indicator
12. Accela Wash Option Indicator
13. Quiet Wash Option Indicator
14. Rinse Aid Indicator
15. Washing Cycle Progress Indicators
 - a- Washing Cycle Symbol
 - b- Drying Cycle Symbol
 - c- End Cycle Symbol
16. Sanitized Indicator

1. Power Button

Turn the machine on by pressing the Power button.

2. Cycles Button

Select a suitable cycle by pressing the Cycles button. The selected cycle indicator (2.1) will be on. For the details of the cycles refer to section Cycle Table.

3. Delay Hours Button

The start time of the cycle can be delayed for 1-24 hours by pressing Delay Hours. When the Delay Hours button is pressed, the display will show "1h." The display will alternate between the delay time and the cycle duration every two seconds. The delay time will increase in one hour increments with every push of the Delay Hours button. When the desired delay hours has been set, press the Start/Pause button. The Delay Indicator (3.1) will turn on. If the dishwasher

is turned off after activating the delay start feature, the delay will be canceled.

NOTE: If the dishwasher door is opened during the delay period and closed within four seconds, the dishwasher will resume counting down the delay period. If the door is opened for more than four seconds, the delay timer is paused. To resume the delay timer, press the Start/Pause button and close the door.

4. Remaining Time Indicator

Cycle duration can be monitored via Cycle Time Indicator.

5. Start/Pause Button

After choosing the cycle and options, press the Start/Pause button to begin the cycle. The time remaining will be shown in the Time Remaining Indicator. The total time may change due to the ambient temperature, water temperature, and soil on the dishes. While the cycle is running, pressing the Start/Pause button will pause the cycle. It is best to avoid opening the door while the dishwasher is running, but if it is necessary to open the door, the cycle will pause when the door is opened. If the door is closed within four seconds after opening, the cycle will continue automatically. If the door is opened for longer than four seconds, the door must be closed and the Start/Pause button must be pressed to resume the cycle.

6. Option Select Button

Options can be selected by pressing the Option Select button repeatedly. The chosen option will be indicated by a blinking LED.

7. Option Confirm Button

Add the option to the cycle by pressing the Option Confirm button. The LED for the chosen option will then remain lit.

8. High Temp Option Indicator

When this option is selected, both the water temperature and the washing time are increased.

9. Sani Rinse Option Indicator

Sani Rinse option raises the water temperature in the final rinse.

10. Half Load Option Indicators

There is a half load option with three modes. Use the half load feature to direct cleaning to the desired rack when the dishwasher is not fully loaded. When the half load option is selected by pressing option select button, the indicator(s) on the control panel will illuminate according to the selections. Press option confirm button after each half load mode selection. If the upper half load and lower half load indicators are selected together, this will shorten the length of cycle and reduce energy and water consumption.

11. Extra Dry Option Indicator

Select the Extra Drying function to add extra drying steps to a cycle in order to obtain drier dishes. This option increases water temperature of the final rinse step and drying step duration.

12. Accela Wash Option Indicator

Select the Accela Wash option to help decrease the duration of a cycle by raising water temperature and pressure.

13. Quiet Wash Option Indicator

Select the Quiet Wash option to help reduce the sound level of the washing operation by lowering the pressure level of the water.

14. Rinse Aid Indicator

When the rinse aid level is low, the rinse aid indicator turns on, advising that the rinse aid compartment needs to be filled.

15. Washing Cycle Progress Indicators

The display will show the symbols for washing, drying, and end of cycle corresponding to the current cycle status.

16. Sanitized Indicator

If the cycle selected with the Sani Rinse option (except Express cycle) is successfully sanitized, sanitized indicator lights up at the end of the cycle.

NOTE: Control lock is activated/deactivated by pressing the Option Confirm Button (7) for about 3 seconds. When it is activated, all leds blink and "CL" is shown on the Remaining Time Indicator (4).

NOTE: To save any cycle as the favorite, press the Cycles (2) and Delay Hours (3) buttons simultaneously. To select the favorite cycle, press the Cycles (2) button for 3 seconds.

Canceling a Cycle

If you would like to cancel a cycle when it is running. Press the Start/Pause button for 3 seconds. During cancellation, the End indicator blinks. The machine discharges the water inside it in about 30 seconds. When the End indicator turns on, switch your machine off by pressing the Power button.

Switching the Machine Off

Switch your machine off with the Power button after the cycle has ended and the End indicator turns on.

NOTE: At the end of a cycle, the door can be left open to aid the drying process.

NOTE: If the door of machine is opened or power is cut off during washing, the cycle will continue when the door is closed or the power is restored.

Chime Level Control

To change the chime level, follow the below steps:

1. Press Option Select (6) and Option Confirm (7) buttons simultaneously for 3 seconds.
2. When sound setting is recognized, the chime gives a long sound and the machine will display the last set level, from "S0" to "S3".
3. To decrease chime level, press Option Confirm button (7). To increase chime level, press Option Select button (6).
4. To save the selected chime level, turn off the machine.
"S0" level means the chime is turned off.
Factory setting is "S3".

Save Power Mode

To activate or deactivate save power mode, follow the below steps:

1. Press Cycles (2) and Option Select (6) buttons simultaneously for 3 seconds.
2. After 3 seconds, the machine will display last setting, "IL1" or "ILO".
3. When Save Power Mode is activated, "IL1" will be displayed. In this mode, the machine will turn off after 15 minutes of no activity in order to save energy.
4. When Save Power Mode is deactivated "ILO" will be displayed. If Save Power Mode is deactive, the machine will always be on unless it is turned off by the user.
5. To save the selected setting, turn off the machine. In factory setting, Save Power Mode is active.

8 MAINTENANCE AND CLEANING

! WARNING : Before cleaning or carrying out maintenance, switch off the appliance, disconnect the power supply and turn off the water tap.

Do not try to repair or perform any maintenance on your machine beyond what is described in this manual.

! WARNING : All surfaces are susceptible to scratching. Contact with unsuitable cleaning agents can alter or discolor all surfaces.

! WARNING : Keep the floor around your dishwasher clean and dry to prevent any possible injury. It is recommended to keep your dishwasher clean and empty with the door cracked open to allow air to circulate when it will not be used for an extended time.

Dishwasher door can be damaged by abrasive cleaners, scouring pads, abrasive cloths. Cleaning the machine in regular intervals prolongs the machine's service life.

Oil and lime may accumulate in the machine's washing section. To remove such accumulation, fill the detergent compartment, do not load any dishes into the dishwasher, select the Pots & Pans cycle with the High Temp option, and start the machine.

If the accumulation is not removed, use cleaning agents recommended for dishwashers. Follow the instructions of the cleaning agent manufacturer.

To clean any residue in the door seals, wipe the seals regularly with a dampened cloth.

Clean the filters and spray arms at least once a month.

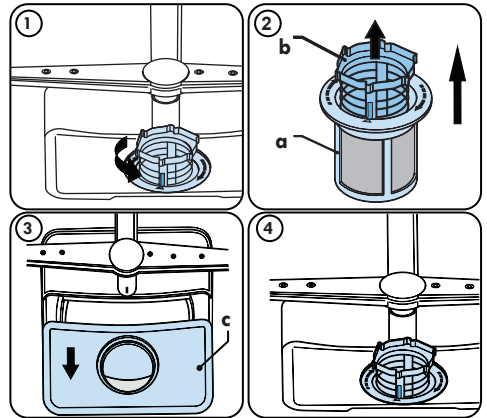
Turn off the power of machine and turn off its tap before starting the cleaning.

Do not use abrasive materials when cleaning the dishwasher. Wipe with a cleaner recommended for dishwashers and a dampened cloth.

To clean the filters, turn the Coarse Filter (b) counter clockwise and then pull up to remove the Coarse Filter and Micro Filter (a). With the Coarse Filter and Micro Filter removed, the Mesh Filter (c) can be lifted out. Remove any debris from the filters and clean them thoroughly under running tap water.

Filter

- a. Micro Filter
- b. Coarse Filter
- c. Mesh Filter



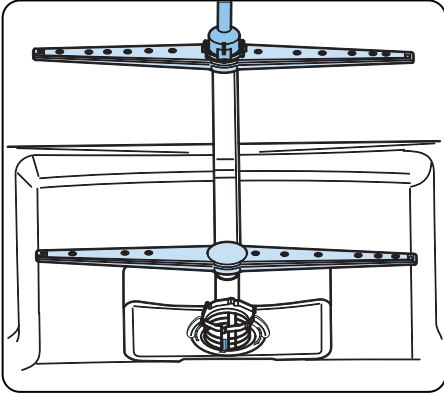
Spray Arms

Check clogging situations on all holes on lower and upper spray arms.

If there is any clogging, remove the spray arms and clean them under running tap water.

The lower spray arm can be removed by pulling it upwards. To remove the upper spray arm, rotate the retaining nut counter-clockwise.

Properly tighten the nut when re-installing the upper spray arm.



WHAT SHOULD NOT BE WASHED IN YOUR DISHWASHER?

- All items to be placed in the dishwasher should be dishwasher safe.
- Only Plastics with “dishwasher safe” or equivalent label can only be used in dishwashers. Plastics may lose their shape or color. Check with manufacturer for recommendations.
- Any dishes made out of wood or made with wooden parts are not suitable for washing in dishwashers. High temperatures can cause the wood to swell or crack.
- Silver items without dishwasher safe label should not be washed in the dishwasher because high temperatures and detergent can damage your silver. Check with manufacturer for recommendations.
- Dishwasher safe silver items and stainless steel items should not come into contact, as the silver can become discolored.
- Porcelains and glassware with decorations and hand-painted utensils may lose their color and patterns due to the high temperatures. Non-decorated items are dishwasher-proof. Check with manufacturer for recommendations.
- Aluminum can turn dark in the dishwasher due to the heat, the detergent used or even just certain minerals in your water.
- Do not wash sponges or dish cloths in dishwasher.
- Do not wash any material like acrylic, copper, brass, pewter, iron, bronze or tin.
- Pots without a non-stick coating are safe to be cleaned in the dishwasher, but some non-stick pots and pans can lose their coating and non-stick ability.
- Glued dishes or cutlery are not suitable for machine washing since adhesives that join materials such as plastic, wood, bone, steel, copper, tin, etc. may loosen.

Remember, if there is any doubt about any aspect concerning items to be washed in the dishwasher, follow the instructions from the manufacturer of the items, or wash the items by hand.



WARNING: If in doubt, wash by hand or follow the instructions from the manufacturer of utensils, dishes, glasses or pots and pans. Do not wash items soiled with cigarette ash, candle wax, varnish, paints or chemicals since they can damage your dishwasher.



WARNING: In general, it is not advisable to open the door while the dishwasher is in operation. If the door is opened, a safety device stops the dishwasher. Care should be taken when opening the door immediately following the cycle, as steam may escape.



NOTE: Empty the lower rack first and then the upper rack. This will avoid water dripping from the upper rack onto dishes in the lower rack.

9 TROUBLESHOOTING

FAULT	POSSIBLE CAUSE	TROUBLESHOOTING
The cycle does not start.	Dishwasher is not switched on.	Switch on dishwasher by pressing power button.
	Fuse blown.	Check indoor fuses.
	Water inlet tap is closed.	Turn on the water inlet tap.
	Dishwasher door is open	Close the Dishwasher door.
	Water inlet hose and machine filters are clogged.	Check the water inlet hose and machine filters and make sure they are not clogged.
Water remains inside the machine.	Water drain hose is clogged or twisted.	Check the drain hose, then either clean or untwist it.
	The filters are clogged.	Clean the filters.
	The cycle is not finished yet.	Wait until the cycle is finished.
	Note: It is normal to have some water remain in the machine below the filters.	
Machine stops during washing.	Power failure.	Check electrical supply.
	Water inlet failure.	Check water tap.
Shaking and hitting noises are heard during a wash operation.	The spray arm is hitting the dishes in the lower basket.	Move or remove items blocking the spray arm.
Partial food wastes remain on the dishes.	Dishes placed incorrectly, sprayed water not reaching affected dishes.	Do not overload dishwasher.
	Dishes leaning each another.	Place dishes as instructed in the section on loading your dishwasher.
	Not enough detergent used.	Use the correct amount of detergent, as instructed in the cycle table.
	Wrong wash cycle selected.	Use the information in the cycle table to select the most appropriate cycle.
	Spray arms clogged with food waste.	Clean the holes in the spray arms with thin objects.
	Filters or water drain pump clogged or filter misplaced.	Check the drain hose and filters are correctly fitted.

FAULT	POSSIBLE CAUSE	TROUBLESHOOTING
Whitish stains remains on dishes.	Not enough detergent used.	Use the correct amount of detergent, as instructed in the cycle table.
Dishes do not dry.	Drying option is not selected.	Select a cycle with a drying option.
	Rinse aid dosage set too low.	Increase rinse aid dosage setting.
Rust stains form on the dishes.	Stainless-steel quality of the dishes is insufficient.	Use only dishwasher-proof sets.
	Improper grounding of electrical supply.	Consult a qualified electrician immediately.
Detergent remains in the detergent compartment.	Detergent was added when the detergent compartment was wet.	Make sure detergent compartment is dry before use.
	Items in the dishwasher may prevent the detergent compartment from opening.	Make sure the items in the dishwasher do not block the detergent compartment.

AUTOMATIC FAULT WARNINGS AND WHAT TO DO

TROUBLE CODE	POSSIBLE FAULT	WHAT TO DO
FF	Water inlet system failure	Make sure the water inlet tap is open and water is flowing.
		Separate the inlet hose from the tap and clean the filter of the hose.
		Contact for service if the error continues.
F5	Pressure system failure	Contact for service.
F3	Continuous water input	Close the tap and contact for service.
F2	Inability to discharge water	Water discharge hose and filters may be clogged.
		Cancel the cycle.
		If the error continues, contact for service.
F8	Heater error	Contact for service.
F1	Overflow	Unplug the machine and close the tap.
		Contact for service.
F7	Overheating	Contact for service.
F9	Divisor position error	Contact for service.
F6	Faulty heater sensor	Contact for service.
HI	High voltage failure	Contact for service.

10 PRACTICAL INFORMATION

1. When the machine isn't in operation:
 - Disconnect the electrical supply and close the tap.
 - Leave the door slightly open to prevent odor formation.
2. Select the dry option to remove water droplets.
3. Place dishes in the machine properly to achieve the best energy consumption, washing and drying performance. Please see the cycle and consumption table for more information.
4. Rinse dirty dishes before placing them in the dishwasher.
5. Only use the Rinse cycle when necessary.
6. Do not place the machine near a refrigerator because it will reach high temperatures.
7. If the machine is located in an area that is at risk of freezing, close the tap, disconnect the inlet hose from the tap and drain the water inside the hose and the machine completely.

ÍNDICE

GARANTÍA.....	2
1 INSTRUCCIONES IMPORTANTES DE SEGURIDAD	6
2 INSTALACIÓN	11
3 ESPECIFICACIONES TÉCNICAS	13
4 ANTES DE UTILIZAR EL ELECTRODOMÉSTICO	14
5 CARGA DEL LAVAVAJILLAS.....	16
6 CICLOS Y TABLAS DE OPCIONES	22
7 PANEL DE CONTROL	24
8 MANTENIMIENTO Y LIMPIEZA	27
9 RESOLUCIÓN DE PROBLEMAS	30
10 INFORMACIÓN PRÁCTICA.....	33

Garantía limitada de Kenmore

Los productos Kenmore® son vendidos y distribuidos por Kenmore, y por distribuidores y licenciarios autorizados de Kenmore en varios países.

Para obtener información sobre la garantía limitada y el proveedor autorizado aplicables a su producto y país, visite: <https://www.kenmore.com/warranty-information/>

Si desea un ejemplar impreso, póngase en contacto con nosotros llamando al **1-844-553-6667** o a través de la dirección siguiente:

**A la atención de: Kenmore Warranty Request
5407 Trillium Suite B120
Hoffman Estates, IL 60192**

Gracias por seleccionar este producto.

Este manual de uso contiene información importante sobre la seguridad, así como instrucciones para ayudarle a utilizar y mantener el electrodoméstico.


Lea detenidamente este manual de uso antes de utilizar el electrodoméstico y consérvelo para su consulta futura.


Icono	Tipo	Significado
	ADVERTENCIA	Riesgo de lesiones graves o muerte.
	RIESGO DE DESCARGA ELÉCTRICA	Riesgo de tensión peligrosa
	FUEGO	Advertencia: Riesgo de incendio/materiales inflamables
	PRECAUCIÓN	Riesgo de lesiones o daño a la propiedad
	NOTA IMPORTANTE	Uso correcto del sistema


INTRODUCCIÓN

Lea este manual de instrucciones de seguridad, especialmente las indicaciones de seguridad de forma completa y detenida. Le ahorrarán tiempo y esfuerzos, y le ayudarán a garantizar un óptimo rendimiento del lavavajillas.

Asegúrese de observar todas las advertencias y precauciones indicadas. Esté especialmente atento a los iconos con marcas de exclamación. El icono de información proporcionará referencias importantes.

 **ADVERTENCIA:** Indica una situación potencialmente peligrosa que, de no evitarse, puede dar como resultado la muerte o lesiones graves.

 **PRECAUCIÓN:** Indica una situación potencialmente peligrosa que, de no evitarse, puede dar como resultado lesiones. También puede usarse para avisar de prácticas no seguras.

 **AVISO:** Indica una situación potencialmente peligrosa que, de no evitarse, puede dar lugar a daños en el lavavajillas, la vajilla, los equipos y el entorno.

1 INSTRUCCIONES IMPORTANTES DE SEGURIDAD

ADVERTENCIA: Cuando use el lavavajillas, siga las precauciones básicas. Lea todas las instrucciones antes de utilizar este lavavajillas. Guarde estas instrucciones de funcionamiento y páselas a cualquier usuario futuro.

- Use el lavavajillas solo para el fin previsto como se describe en este manual de instrucciones. Este electrodoméstico se ha diseñado solo para uso doméstico. No cambie la especificación del electrodoméstico. **El fabricante rechaza la responsabilidad por los daños y las lesiones causadas por un uso indebido de este electrodoméstico.**
- Debe seguirse la información de este manual de instrucciones para minimizar el riesgo de incendio o explosión y para evitar daños a la propiedad, lesiones personales o la muerte.
- Utilice únicamente detergentes o abrillantadores recomendados para su uso con lavavajillas y manténgalos lejos del alcance de los niños.
- Al cargar objetos para su lavado:
 - 1) Localice los objetos punzantes para reducir la probabilidad de que dañen el sello de la puerta.
 - 2) Cargue los cuchillos afilados con el mango hacia arriba para reducir el riesgo de lesiones.
- No lave objetos de plástico a menos que estén marcados como aptos para el lavavajillas o un equivalente. Para los objetos de plástico que no tengan esta marca, consulte las recomendaciones del fabricante.
- No utilice su lavavajillas a menos que todos los paneles del cerramiento estén correctamente colocados.
- No manipule los controles.

- No utilice de forma indebida la puerta ni el cesto de platos del lavavajillas, ni se siente ni se ponga de pie sobre ellos.
- Las bandejas para copas se han diseñado para disponer sobre ellas copas, vasos y utensilios de cocina. Cuando se utilizan bandejas para copas en el lavavajillas no se apoye sobre ellas ni las utilice para sujetar el peso de su cuerpo.
- Este electrodoméstico debe contar con una toma a tierra. En caso de avería o mal funcionamiento, la puesta a tierra reduce el riesgo de descarga eléctrica mediante una ruta de menor resistencia para la corriente eléctrica.

ADVERTENCIA:

- La conexión inadecuada del enchufe de tierra del equipo puede dar lugar a un riesgo de descarga eléctrica. Consulte a un electricista certificado o con un representante de servicio si tiene dudas sobre la correcta conexión a tierra del electrodoméstico.
- Algunos detergentes de lavavajillas son muy alcalinos. Pueden ser extremadamente peligrosos si se tragan. Evite el contacto con la piel y los ojos, y mantenga a los niños y a las personas no aptas para el uso del lavavajillas alejados cuando la puerta esté abierta.
- Consulte inmediatamente a un médico si se ha tragado o ha inhalado detergente.
- No retire los platos del electrodoméstico hasta que se haya completado el ciclo. Pueden quedar restos de detergente sobre los platos.

- Compruebe que el dispensador de detergente está vacío después de completar cada ciclo de lavado.
- No beba ni juegue con el agua del electrodoméstico, ya que puede contener residuos dañinos.
- Para reducir el riesgo de lesiones, no permita que los niños jueguen dentro o sobre el lavavajillas.
- Cuando los niños tienen la edad suficiente para utilizar el electrodoméstico, es responsabilidad de los progenitores o los tutores asegurarse de que una persona cualificada les ha enseñado las prácticas de seguridad.
- No deje electrodoméstico con la puerta sin atender para evitar pisarla accidentalmente.

⚠ ADVERTENCIA: Antes de cualquier operación de mantenimiento, desactive el electrodoméstico y desconecte la máquina de la corriente.

- No utilice chorros de agua de alta presión ni vapor para limpiar el electrodoméstico.
- Asegúrese de que el electrodoméstico no presenta fugas de agua durante y después del primer uso.
- Para evitar daños en el suelo y un posible crecimiento del moho, no permita que queden áreas húmedas alrededor ni debajo del lavavajillas.
- Para evitar daños en el lavavajillas, no permita que quede agua en los sistemas del lavavajillas durante periodos largos de congelación.

RIESGO DE LESIÓN: Para evitar el riesgo de lesión, tenga siempre cuidado al abrir la puerta durante o tras un ciclo de lavado, ya que puede salir agua caliente o vapor.

- No almacene ni utilice líquidos ni vapores inflamables en el área del lavavajillas, cerca o sobre el electrodoméstico.

- En determinadas condiciones, puede generarse gas hidrógeno en un sistema de agua caliente que no ha sido utilizado durante dos semanas o más. **EL GAS HIDRÓGENO ES EXPLOSIVO.** Si no se ha utilizado el sistema de agua caliente durante un periodo semejante, abra todos los grifos de agua caliente y deje correr el agua durante varios minutos antes de utilizar el lavavajillas. Esta acción liberará todo el gas hidrógeno acumulado. No fume ni utilice una llama abierta durante este tiempo, ya que el gas es inflamable.
- Compruebe la conducción de agua periódicamente. Es susceptible de romperse. Pierde flexibilidad con el tiempo. Sustitúyala inmediatamente cuando esté rota, hinchada o presente cortes o una fuga de agua.
- Mantenga los embalajes del lavavajillas fuera del alcance de los niños tras desembalarlo.

ADVERTENCIA:

Riesgo de lesiones o asfixia. Asegúrese de eliminar de forma segura todos los embalajes de plástico, bolsas, piezas pequeñas, etc., y de mantenerlas lejos del alcance de los niños.

RECICLAJE

Retire la puerta del compartimento de lavado cuando vaya a retirar del servicio un lavavajillas viejo o a desecharlo.

Asegúrese de que el dispositivo no presenta ningún daño para los niños mientras se almacena para su eliminación.

Antes de eliminar el lavavajillas:

- Desconecte el electrodoméstico de la corriente.
- Corte todas las conexiones entre la corriente y la caja de conexiones del lavavajillas.
- Retire el cierre de la puerta para evitar que los niños y las mascotas se queden encerrados en el electrodoméstico.
- Los electrodomésticos viejos pueden contener materiales susceptibles de reciclarse. Póngase en contacto con la autoridad de reciclaje local sobre la posibilidad de reciclar estos materiales.

GUARDE ESTAS INSTRUCCIONES

2 INSTALACIÓN

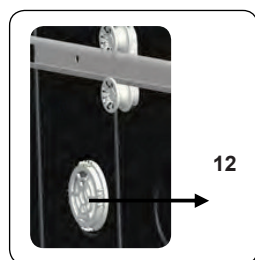
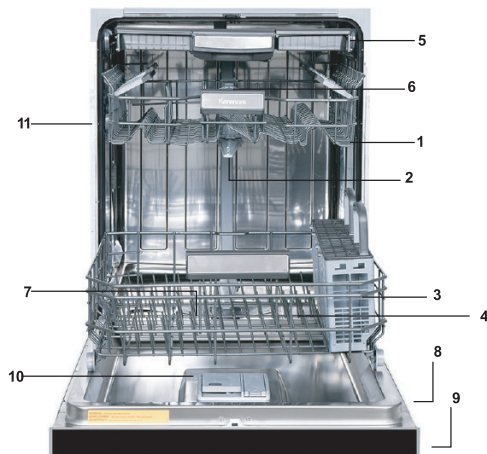
⚠ ADVERTENCIA: Al instalar el lavavajillas, siga las instrucciones de instalación proporcionadas con el producto.

- La instalación, el mantenimiento y la reparación deben llevarlas a cabo un instalador certificado. Los trabajos realizados por personas sin la formación adecuada podrían ser peligrosos y traducirse en la anulación de la garantía.
- No utilice el electrodoméstico si está dañado, no funciona correctamente, está parcialmente desmontado, le faltan piezas o tiene piezas rotas.
- Antes de la instalación o la realización de tareas de reparación, desconecte la corriente del área de trabajo desenchufando la unidad, activando el disyuntor o eliminando el fusible.
- Conecte únicamente el lavavajillas a la corriente cuando se haya completado todo el trabajo de instalación y fontanería.
- No conecte nunca el cable de tierra a tuberías de gas, o tuberías de agua caliente o fontanería.
- No instale ni almacene el lavavajillas donde pueda quedar expuesto a temperaturas de congelación o a agentes atmosféricos.
- El lavavajillas debe fijarse a los armarios adyacentes con ayuda de los soportes suministrados. No hacerlo podría causar daños en la propiedad o lesiones.
- Conecte el electrodoméstico a un circuito de alimentación con la capacidad y el tamaño adecuados, así como con la correcta protección para evitar una sobrecarga eléctrica.

El lavavajillas se ha diseñado para un corriente de 120 V (voltios), 60 Hz (hertzios), CA, con conexión a un circuito eléctrico específico con una toma de tierra adecuada, con un fusible y un disyuntor con especificación para 15 amperios.

- Los conductores de alimentación debe ser cables de cobre de calibre 16 AWG con especificación para 90 °C (194 °F) o superior. Estos requisitos son de obligado cumplimiento para evitar lesiones y daños a la máquina. Consulte a un electricista certificado en caso de duda.
- No utilice ningún alargador ni dispositivo de salida portátil para conectar el lavavajillas a una fuente de alimentación.

3 ESPECIFICACIONES TÉCNICAS



Aspecto general

1. Cesto superior con bandejas
2. Brazo de rociado superior
3. Cesto inferior
4. Brazo de rociado inferior
5. Tercer cesto
6. Boquilla superior
7. Filtros
8. Placa de identificación
9. Panel de control
10. Dispensador de detergente y abrillantador
11. Enganche de carril del cesto superior
12. Unidad de secado: Este sistema proporciona un mejor secado para su vajilla.

Especificaciones técnicas

Presión de agua admisible	4,35 - 145 psi (de 0,3 a 10 bares)
Conexión eléctrica	120 V (voltios), 12 A (amperios), 60 Hz (hertzios)
Potencia total	1400 (W)
Potencia del calentador	1100 (W)



AVISO: Estas especificaciones y diseños pueden cambiar sin previo aviso como resultado de nuestros esfuerzos de mejorar los productos que comercializamos. Este dispositivo se corresponde con las siguientes directivas: Directiva UL 749 Household Dishwasher

4 ANTES DE UTILIZAR EL ELECTRODOMÉSTICO

Preparación del lavavajillas para el primer uso

- Asegúrese de que las especificaciones de electricidad y suministro de agua coinciden con los valores indicados en las instrucciones de instalación de la máquina.
- Retire todos los materiales de embalaje del interior de la máquina.
- Llene el compartimento del abrillantador.

Uso de detergente

Utilice solo detergentes diseñados específicamente para lavavajillas domésticos. Guarde los detergentes en un lugar fresco y seco, fuera del alcance de los niños.

Añada detergente adecuado para el ciclo seleccionado para garantizar los mejores resultados. La cantidad de detergente necesaria depende del ciclo, el tamaño de la carga y el nivel de suciedad de los platos.

No rellene en exceso el compartimento del detergente. El uso de demasiado detergente puede causar la decoloración de los vasos y los platos, así como la corrosión del cristal. El uso continuado de demasiado detergente puede causar daños en la máquina.

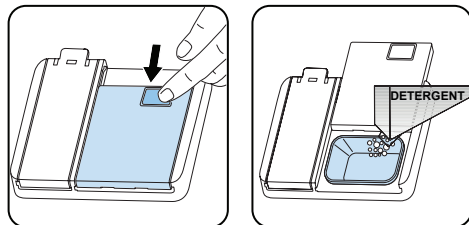
El uso de una cantidad insuficiente de detergente puede dar lugar a lavados deficientes y a la aparición de rayas blanquecinas, especialmente en caso de agua dura.

Consulte las instrucciones de fabricante de detergente para obtener más información.

Llenado de detergente

Empuje el cierre para abrir el dispensador y vierta el detergente.

Gire el tapón hasta que se cierre completamente. El dispensador debe rellenarse solo antes del principio de cada ciclo. Si los platos están muy sucios, vierta detergente adicional en el depósito de detergente de prelavado.



Utilización de pastillas de detergente

Estos productos deben usarse de acuerdo con las instrucciones del fabricante.

No introduzca pastillas de detergente en la sección interior ni en la cesta para cubiertos.

Las pastillas de detergente no solo contienen detergente, sino también abrillantador, sustancias para sustituir la sal y componentes adicionales dependiendo de la combinación.

Recomendamos que no utilice pastillas de detergente en ciclos cortos. Utilice detergentes en polvo o líquidos en lugar de pastillas de detergente en ciclos cortos.

Si surgen problemas cuando se usan pastillas de detergente, póngase en contacto con el fabricante del detergente.

Si deja de utilizar pastillas de detergente, asegúrese de que el ajuste del abrillantador está establecido en el nivel correcto.

Uso del abrillantador

El abrillantador ayuda a secar los platos sin dejar rayas ni manchas. El abrillantador es necesario para lograr utensilios libres de marcas y vasos brillantes. El abrillantador se libera automáticamente durante la fase de aclarado caliente. Si la dosis de abrillantador es demasiado baja, aparecerán marcas blanquecinas en los platos y no se secarán ni quedarán limpios.

Si la dosis de abrillantador es demasiado alta, pueden aparecer capas azules en los vasos y los platos.

Relleno y ajuste del abrillantador

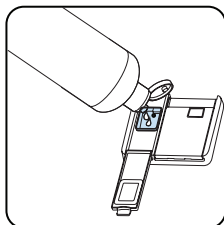
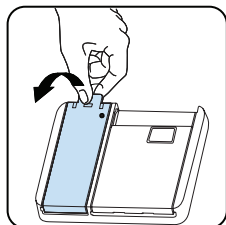
Para rellenar el compartimento del abrillantador, abra la tapa de su tapa. Rellene el compartimento con abrillantador hasta el nivel MÁX y, a continuación, cierre el tapón. Tenga cuidado de no llenar en exceso el compartimento del abrillantador y limpie cualquier líquido que se derrame.

Para cambiar el nivel de abrillantador, siga estos pasos

- Encienda la máquina pulsando el botón de encendido/apagado.
- Pulse el botón Cycles durante al menos cinco segundos inmediatamente después de encender la máquina.
- Deje de pulsar el botón Cycles cuando aparezca "rA". A continuación, se muestra el último nivel de ajuste.
- Establezca el nivel pulsando el botón Cycles.
- Apague la máquina para guardar los ajustes.

El ajuste de fábrica es "4".

Si los platos no se secan adecuadamente o presentan manchas, aumente el nivel. Si aparecen manchas azules, reduzca el nivel.



Nivel	Dosis de abrillantador	Indicador
1	El abrillantador no se dispensa	Aparece "r:1" en la pantalla.
2	Se dispensa una dosis	Aparece "r:2" en la pantalla.
3	Se dispensan dos dosis	Aparece "r:3" en la pantalla.
4	Se dispensan tres dosis	Aparece "r:4" en la pantalla.
5	Se dispensan cuatro dosis	Aparece "r:5" en la pantalla.

5 CARGA DEL LAVAVAJILLAS

Cargar adecuadamente el lavavajillas contribuirá a un uso eficiente con el mejor rendimiento de lavado y secado posibles.

El cesto inferior puede acomodar recipientes grandes y profundos, como cazuelas con mangos grandes, tapas de cazuelas, bandejas, ensaladeras y juegos de cuchillos. El cesto superior se ha diseñado para colocar platos de postre, cuencos de ensalada, tazas y vasos. Cuando coloque copas y vasos altos, apóyelos contra el borde del cesto, el carril o el alambre de sujeción de cristal, no contra otros objetos. No apoye los vasos altos entre sí, ya que no se mantendrán estables y pueden sufrir daños. Es mejor colocar los objetos más finos y estrechos en las secciones intermedias de los cestos. Coloque las cucharas en las aberturas independientes de la cesta para cubiertos y no permita que se peguen.

Utilice la cesta para cubiertos para obtener los mejores resultados posibles de lavado para cucharas, tenedores y cuchillos. Para evitar posibles lesiones, coloque siempre los objetos de mango largo y de punta afilada, como un tenedor de servir, un cuchillo para el pan, etc., con las puntas hacia abajo, o en posición horizontal sobre las cestas.



ADVERTENCIA: Coloque la vajilla en la máquina de forma que no impidan que los brazos de rociado superior e inferior giren.



NOTA: Coloque todos los objetos grandes y muy sucios en el cesto inferior.



ADVERTENCIA: No coloque en el electrodoméstico objetos que puedan absorber agua (como esponjas y trapos de cocina).



NOTA: Coloque boca abajo todos los contenedores como tazas, vasos y cazuelas en el lavavajillas (de manera que no acumulen agua).



NOTA: Los platos y los cubiertos no deben colocarse unos encima de otros.



NOTA: No sobrecargue el lavavajillas y preste atención a las instrucciones de fabricación en relación con los platos adecuados para usar en un lavavajillas. Solo obtendrá resultados de limpieza óptimos con un uso razonable de energía si utiliza platos adecuados (mencionados en la sección 5).

El agua a altas temperaturas y el detergente para lavavajillas pueden combinarse químicamente y dañar determinados objetos.



ADVERTENCIA: Tenga cuidado al cargar y descargar objetos punzantes. Cague los cuchillos afilados con el mango hacia arriba para reducir el riesgo de lesiones.

Siga los pasos que se indican a continuación antes de cargar el lavavajillas.

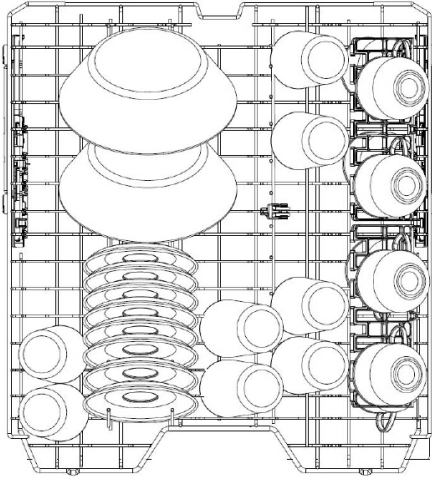
1. Abra la puerta.
2. Retire los restos de comida de gran tamaño de la vajilla.
3. Cargue el lavavajillas.



NOTA: Mientras el electrodoméstico está en funcionamiento, todas las funciones se interrumpirán automáticamente si abre la puerta. Cuando la puerta se cierre, las funciones se reanudarán.

Cesto superior

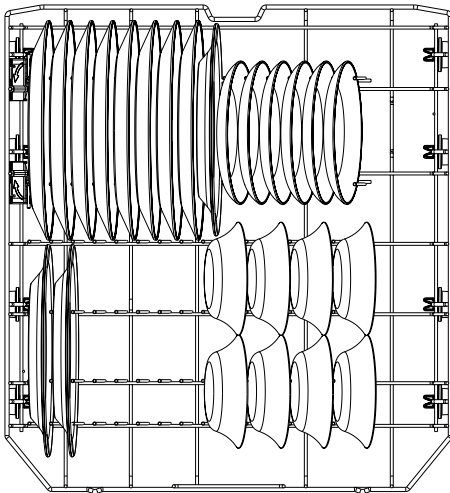
Cargue el cesto superior con platos de postre, tazas, vasos, etc.



Patrón de carga del cesto superior para ocho servicios.

Cesto inferior

En el cesto inferior puede colocar objetos redondos y profundos, como cazuelas con asas grandes, tapas de cazuelas, platos, ensaladeras y juegos de cubertería. El cesto inferior no se debe utilizar para objetos pequeños como tazas y vasos de vino.



NOTA: Coloque todos los objetos grandes y muy sucios en el cesto inferior.



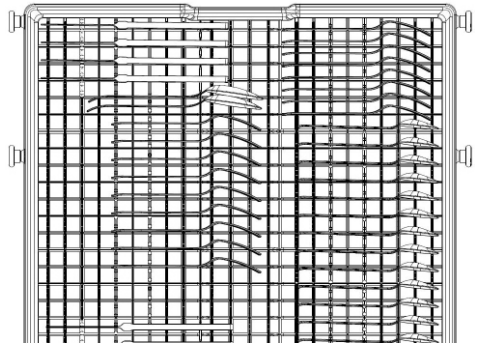
ADVERTENCIA: Los cuchillos grandes y otros utensilios con puntas y bordes afilados deben colocarse horizontalmente en el cesto superior debido al riesgo de lesiones. Otros cuchillos y utensilios afilados más pequeños deben colocarse con el lado afilado hacia abajo en la cesta de los cubiertos.



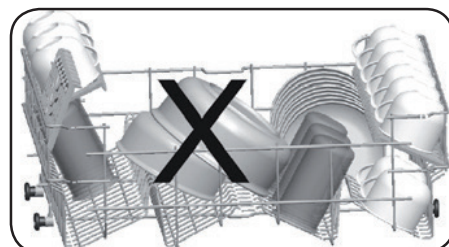
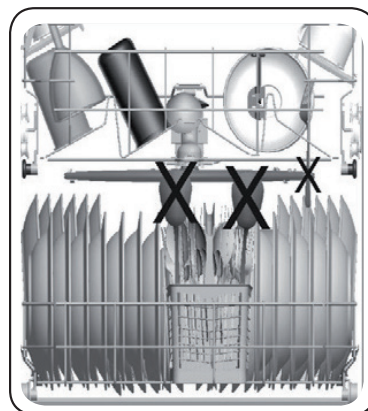
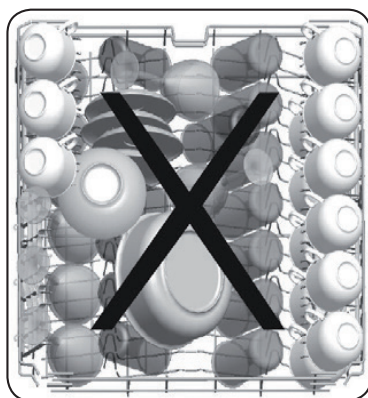
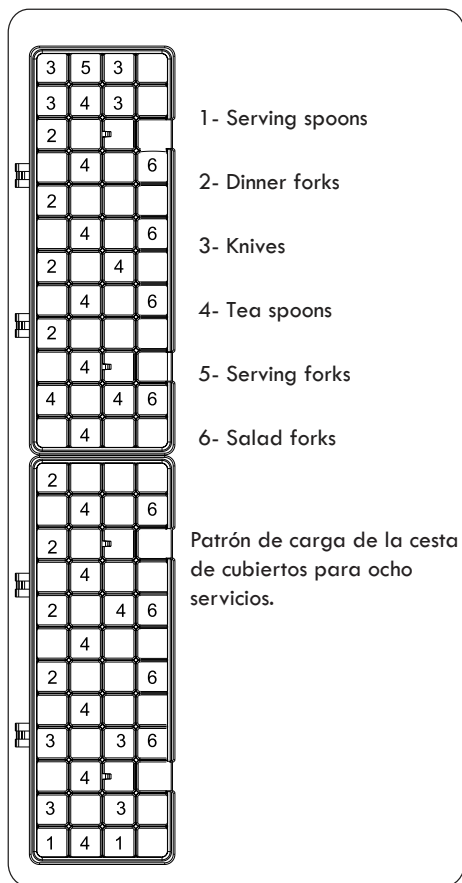
NOTA: Asegúrese de que los objetos grandes no interfieran con la rotación de los brazos de rociado y que no impidan al dispensador de detergente abrirse.

Tercer cesto (algunos modelos)

El tercer cesto puede cargarse con objetos como cuchillos, cucharas, tenedores, cucharas para servir, etc.



Patrón de carga del tercer cesto para ocho servicios.



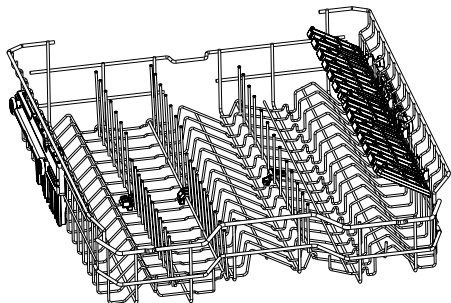
Cargas incorrectas

La carga incorrecta puede causar un rendimiento deficiente de lavado y secado. Siga las recomendaciones del fabricante para un buen resultado.

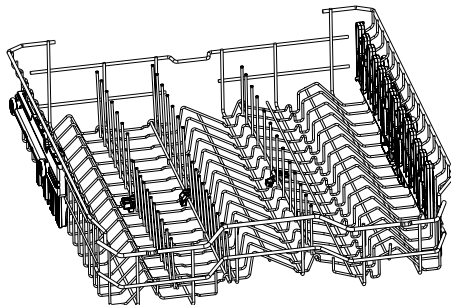
Cesto superior con bandeja para tazas

Estas bandejas se han diseñado para aumentar la capacidad del cesto superior. Coloque las tazas y los vasos en este cesto. Utilice la función de ajuste para acomodar artículos de diferente tamaño.

Coloque los cuchillos largos, los tenedores y las cucharas en estas secciones horizontalmente para que no bloqueen el movimiento de los brazos de rociado.



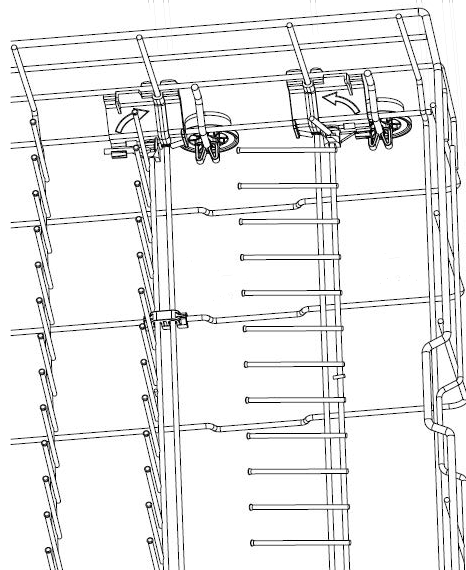
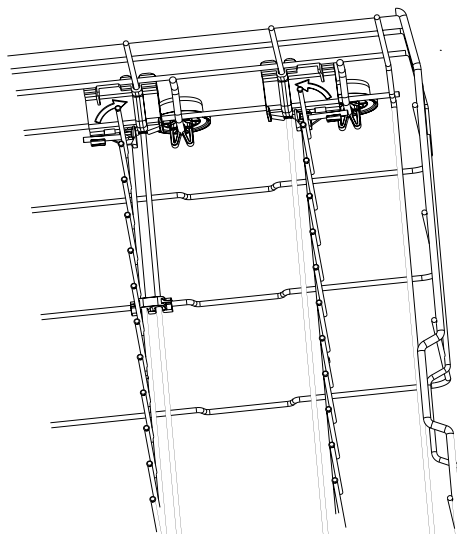
POSICIÓN ABIERTA DE LA SECCIÓN PARA TAZAS



POSICIÓN CERRADA DE LA SECCIÓN PARA TAZAS

Varillas abatibles del cesto inferior

El cesto inferior incorpora dos secciones de varillas abatibles. Las varillas se pueden plegar para facilitar la carga de objetos grandes como cazuelas y sartenes. Cada una de las dos secciones de varillas se pueden plegar por separado y todas ellas se pueden plegar en conjunto para crear un área de carga más grande.



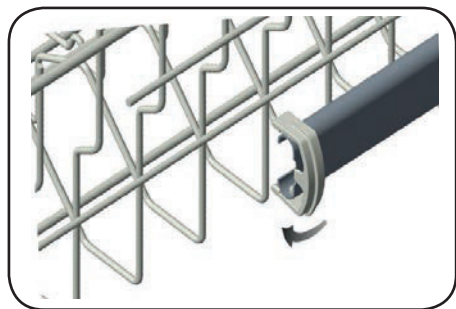
Ajuste de altura del cesto superior - Cuando el cesto está vacío

En determinados modelos, el ajuste de altura del cesto superior puede modificarse mediante las ruedas presentes en dos niveles de altura.

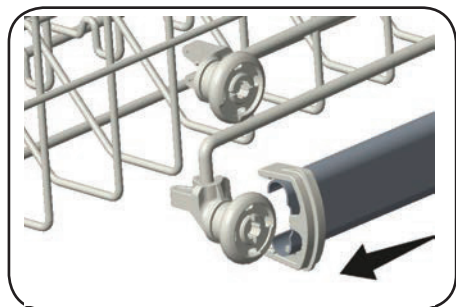


AVISO: Disponer los cables en posición horizontal sujetándolos por las puntas puede hacer que se doblen. Por lo tanto, resulta recomendable disponer los cables por la mitad en posición horizontal o vertical sujetándolos desde su base y empujando.

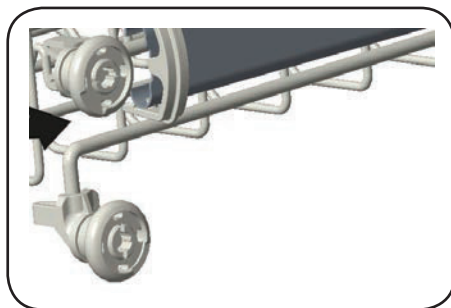
1. Suelte los enganches de los carriles izquierdo y derecho del cesto superior girándolos hacia exterior A.



2. Extraiga el cesto completamente B.

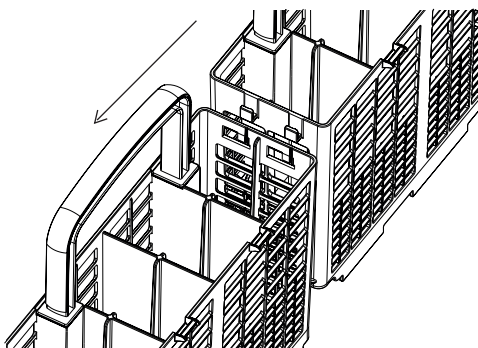


3. Vuelva a colocar el cesto en los carriles a la altura deseada C.

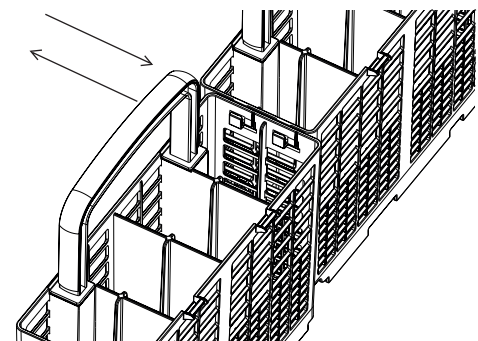


4. Vuelva a colocar los cierres en la posición correcta.

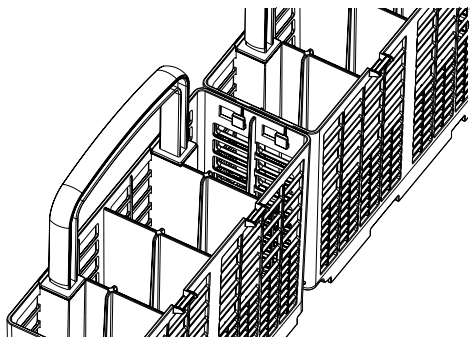
Existen dos cestos de cubiertos en el lavavajillas. Los dos cestos pueden unirse o utilizarse por separado. Siga los pasos que se indican a continuación para unirlos.



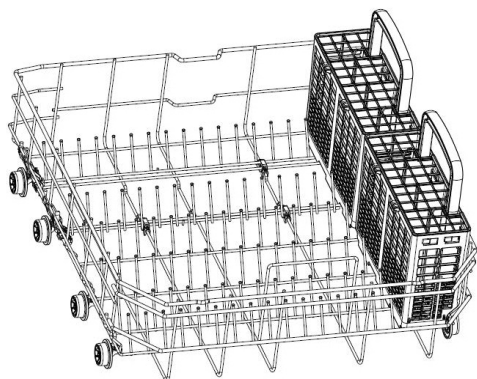
Las pestañas del cesto se alinean con las aberturas del otro cesto.



Una los cestos presionando la pestaña de un cesto con la ranura alineada del otro.



La pestaña se desliza y se fija para unir los cestos.



Las cestas de cubiertos se sitúan en el cesto inferior.

6 CICLOS Y TABLAS DE OPCIONES

Ciclos		Duración (min)	Descripciones
Normal	Sucio	145	Ciclo estándar para uso diario, regular o típico para lavar completamente una carga de platos con una suciedad normal.
	Limpia	122	
Smart Wash	Sucio	155	Este ciclo ajusta automáticamente la temperatura y la cantidad de agua, el consumo de energía y la duración del ciclo.
	Limpia	110	
Pots&Pans		130	Adecuado para platos muy sucios.
Delicado		90	Adecuado para platos delicados ligeramente sucios.
Express		50	Adecuado para platos de uso diario con un nivel de suciedad normal cuando se requiere un resultado rápido.
Quick Rinse		15	Para enjuagar platos que se lavarán más tarde.

Compatibilidad de ciclos y opciones		Opciones						
		Delay con retraso	Accela Lavado	Quiet Lavado	Media Load	Secado extra	Sani Aclarado	Alto Temp
Ciclos	Normal	√	√	√	√	√	√	√
	Smart Wash	√	√	√	√	√	√	√
	Pots&Pans	√	√	√	√	√	√	√
	Delicado	√	√	√	√	√	X	X
	Express	√	X	X	√	√	√	√
	Quick Rinse	√	X	X	√	X	X	X



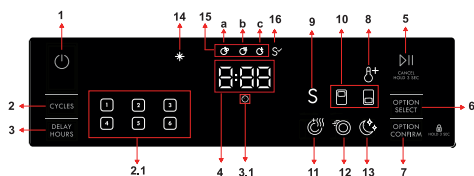
NOTA: La duración del ciclo puede variar en función de la cantidad de platos, la temperatura del agua, la temperatura ambiente y las funciones adicionales seleccionadas.



NOTA: La etiqueta de uso de energía se basa en el ciclo "Normal". Este ciclo es el más eficiente en términos de energía combinada y consumo de agua cuando se limpian platos con un nivel de suciedad normal. La etiqueta de guía de energía se basa en el ciclo de detección normal. En este ciclo se probó el lavavajillas sin abrillantador en el dispensador de abrillantador, con una única dosis de detergente en el dispensador de detergente y detergente utilizado para prelavado. Para ciclos de prelavado, se puede añadir una dosis de detergente en el interior de la puerta del armario. Recomendamos que la posición de la bandeja para cargas de cubiertos se fije en la posición más alta como en la prueba del certificado de energía.

- Utilice únicamente detergente en polvo o detergente líquido para ciclos cortos.
- Los ciclos cortos no incluyen secado.
- Para facilitar el secado, recomendamos abrir ligeramente la puerta cuando se complete un ciclo.

7 PANEL DE CONTROL



1. Botón de encendido/apagado
2. Botón Cycles
- 2.1 Indicadores de ciclos
3. Botón Delay Hours
- 3.1 Indicador de retardo
4. Indicador de tiempo restante
5. Botón de inicio/pausa
6. Botón de selección de opciones
7. Botón de confirmación de opciones
8. Indicador de opción de alta temperatura
9. Indicador de opción de aclarado sanitario
10. Indicador de opción de media carga
11. Indicador de opción de secado extra
12. Indicador de opción de lavado rápido
13. Indicador de opción de lavado silencioso
14. Indicador de abrillantador
15. Indicadores de progreso del ciclo de lavado
 - a- Símbolo del ciclo de lavado
 - b- Símbolo del ciclo de secado
 - c- Símbolo del ciclo final
16. Indicador de desinfección

1. Botón de encendido/apagado

Encienda la máquina pulsando el botón de encendido/apagado.

2. Botón Cycles

Seleccione un ciclo adecuado pulsando el botón Cycles. Se encenderá el indicador del ciclo seleccionado (2.1). Para obtener más detalles sobre los ciclos, consulte la sección Tabla de ciclos.

3. Botón Delay Hours

La hora de inicio del ciclo puede retrasarse de una a 24 horas pulsando el botón Delay Hours. Cuando el botón Delay Hours está pulsado, la pantalla mostrará "1h". La pantalla alternará entre el tiempo de retardo y la duración del ciclo cada dos segundos. El tiempo de retardo aumentará en incrementos de una hora con cada pulsación del botón Delay Hours. Cuando haya establecido las horas de retardo deseadas, pulse

el botón Start/Pause. Se encenderá el indicador de retardo (3.1). Si el lavavajillas se apaga tras activar la función de inicio de retardo, el retardo se cancelará.

NOTA: Si se abre la puerta del lavavajillas durante el periodo de retardo y se cierra en los cuatro segundos siguientes, el lavavajillas reanudará la cuenta atrás del periodo de retardo. Si la puerta se abre durante más de cuatro segundos, el temporizador de retardo se podrá en pausa. Para reanudar el temporizador de retardo, pulse el botón Start/Pause y cierre la puerta.

4. Indicador de tiempo restante

La duración del ciclo puede seguirse a través del indicador de tiempo del ciclo.

5. Botón Start/Pause

Tras seleccionar el ciclo y las opciones, pulse el botón Start/Pause para iniciar el ciclo. El tiempo restante se mostrará en el indicador de tiempo restante. El tiempo total puede cambiar como resultado de la temperatura ambiente, la temperatura del agua y la suciedad de los platos. Mientras el ciclo está en marcha, pulsar el botón Start/Pause pondrá en pausa en ciclo. Es mejor evitar abrir la puerta mientras el lavavajillas está en marcha, pero si es necesario abrir la puerta, el ciclo se pondrá en pausa cuando la puerta esté abierta. Si la puerta se cierra en los cuatro segundos siguientes, el ciclo continuará automáticamente. Si la puerta se abre durante más de cuatro segundos, deberá cerrarse y se deberá pulsar el botón Start/Pause para reanudar el ciclo.

6. Botón de selección de opciones

Se pueden seleccionar opciones pulsando repetidamente el botón de selección opciones. La opción seleccionada se indicará mediante un LED que parpadeará.

7. Botón de confirmación de opciones

Añada la opción al ciclo pulsando el botón de confirmación de opciones. El LED correspondiente a la opción seleccionada permanecerá encendido.

8. Indicador de opción de alta temperatura

Cuando se selecciona esta opción, aumentan tanto la temperatura del agua con el tiempo de lavado.

9. Indicador de opción de aclarado sanitario

La opción de aclarado sanitario aumenta la temperatura del agua al final del aclarado.

10. Indicador de opción de media carga

Existen una opción de media carga con tres modos. Utilice la función de media carga para lavar directamente el cesto deseado cuando el lavavajillas no esté lleno. Cuando se ha seleccionado la opción de media carga pulsando el botón de selección de opciones, el indicador o indicadores iluminados dependerá de las selecciones. Pulse el botón de confirmación de opciones tras seleccionar el modo de media carga. Si se seleccionan a la vez los indicadores de media carga inferior o superior, se reducirá la longitud del ciclo y se reducirá el consumo de energía y de agua.

11. Indicador de opción de secado extra

Seleccione la función Extra Drying para añadir pasos de secado adicionales a un ciclo y que platos salgan más secos. Esta opción aumenta la temperatura del agua en el paso final de aclarado, así como la duración del paso de secado.

12. Indicador de opción de lavado rápido

Seleccione la opción de lavado acelerado para reducir la duración de un ciclo aumentando la temperatura del agua y la presión.

13. Indicador de opción de lavado silencioso

Seleccione la opción de lavado silencioso para reducir el nivel de sonido de la operación de lavado aplicando un menor nivel de presión del agua.

14. Indicador de abrillantador

Cuando el nivel de abrillantador es bajo, el indicador de abrillantador se enciende para avisar de que el compartimento debe rellenarse con abrillantador.

15. Indicadores de progreso del ciclo de lavado

La pantalla mostrará los símbolos de lavado, secado y final del ciclo correspondiente al estado del ciclo actual.

16. Indicador de desinfección

Si el ciclo seleccionado con la opción de aclarado sanitario (excepto en el ciclo Express) se completa correctamente, el indicador de desinfección se iluminará al final del ciclo.

NOTA: La función de bloqueo para niños se activa o desactiva pulsando el botón de confirmación de opciones (7) durante unos tres segundos. Cuando se activa, todos los indicadores parpadean y se muestra "CL" en el indicador de tiempo restante (4).

NOTA: Para guardar cualquier ciclo como el favorito, pulse los botones Cycles (2) y Delay Hours (3) simultáneamente. Para seleccionar el ciclo favorito, pulse el botón Cycles (2) durante tres segundos.

Cancelación de un ciclo

Si desea cancelar un ciclo cuando está en curso. Pulse el botón de inicio/pausa durante 3 segundos. Durante la cancelación, el indicador de final parpadeará. La máquina descargará el agua que contiene en unos 30 segundos. Cuando se encienda el indicador de final de ciclo, apague la máquina con el botón de encendido/apagado.

Apagar la máquina

Cuando haya terminado el ciclo y se encienda la luz de fin de ciclo, apague la máquina con el botón de encendido/apagado.

NOTA: Al final de un ciclo, la puerta se puede dejar abierta para facilitar el proceso de secado.

NOTA: Si se abre la puerta de la máquina o se va la luz durante el lavado, el ciclo continuará cuando la puerta se cierre o cuando se recupere la corriente.

Control del nivel del indicador acústico

Para cambiar el nivel del indicador acústico, siga estos pasos:

1. Pulse los botones de selección de opción (6) y confirmación de opción (7) simultáneamente durante tres segundos.
2. Cuando se reconozca el ajuste de sonido, el indicador acústico emitirá un sonido largo y la máquina mostrará el último nivel establecido, de "S0" a "S3".
3. Para aumentar el nivel del indicador acústico, pulse el botón de confirmación de opciones (7). Para aumentar el nivel del indicador acústico, pulse el botón de selección de opciones (6).
4. Para guardar el nivel del indicador acústico seleccionado, apague la máquina. El nivel "S0" significa que el indicador acústico está apagado. El ajuste de fábrica es "S3".

Modo de ahorro de energía

Para activar o desactivar el modo de ahorro de energía, siga estos pasos:

1. Pulse los botones de ciclo (2) y de selección de opciones (6) simultáneamente durante tres segundos.
2. Transcurridos tres segundos, la máquina mostrará el último ajuste, "IL1" o "ILO".
3. Cuando el modo de ahorro de energía está activado, se mostrará "IL1". En este modo la máquina se apagará transcurridos 15 minutos sin actividad para ahorrar energía.
4. Cuando el modo de ahorro de energía está desactivado, se mostrará "ILO". Si el modo de ahorro de energía está desactivado, la máquina permanecerá encendida a menos que el usuario la apague.
5. Para guardar el ajuste seleccionado, apague la máquina. La máquina viene con el ajuste de modo de ahorro de energía activado.

8 MANTENIMIENTO Y LIMPIEZA

! **ADVERTENCIA:** Antes de limpiar el electrodoméstico o de realizar tareas de mantenimiento sobre ella, desconecte la fuente de alimentación y apague el grifo.

No intente reparar ni realizar tareas de mantenimiento en la máquina más allá de las que se describen en este manual.

! **ADVERTENCIA:** Todas las superficies pueden arañarse. El contacto con agentes de limpieza no adecuados puede alterar o descolorar todas las superficies.

! **ADVERTENCIA:** Mantenga el suelo alrededor del lavavajillas limpio y seco para evitar posibles lesiones. Se recomienda mantener el lavavajillas limpio y vacío con la puerta ligeramente abierta para permitir que el aire circule cuando no se utiliza durante un periodo largo de tiempo.

La puerta del lavavajillas puede resultar dañada si se utilizan limpiadores o paños abrasivos, o estropajos. La limpieza periódica de la máquina alarga su vida útil.

En la sección de lavado de la máquina se pueden acumular aceite y restos de cal. Para eliminar dicha acumulación, rellene el compartimento de detergente, no cargue ningún plato en el lavavajillas, seleccione el ciclo Pots & Pans con la opción High Temp y ponga en marcha la máquina.

Si la acumulación no desaparece, utilice agentes recomendados para lavavajillas. Siga las instrucciones del fabricante de agentes de limpieza.

Para limpiar residuos en las juntas de la puerta, frote las juntas periódicamente con un trapo húmedo.

Limpie los filtros y los brazos de rociado al menos una vez al mes.

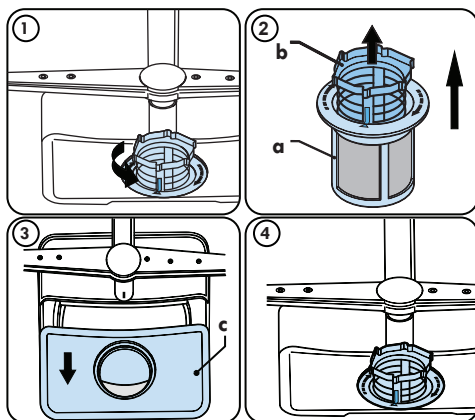
Apague máquina y cierre el grifo antes de comenzar la limpieza.

No utilice materiales abrasivos cuando limpie el lavavajillas. Frote con un limpiador recomendado para lavavajillas y un paño húmedo.

Para limpiar los filtros, gire el filtro grueso (b) hacia la izquierda y tire hacia arriba para retirar el filtro grueso y el microfiltro (a). Con el filtro grueso y el microfiltro retirados, podrá levantar el filtro de malla (c). Retire cualquier resto de los filtros y límpielos bien en agua corriente.

Filtro

- a. Microfiltro
- b. Filtro de partículas gruesas
- c. Filtro de malla

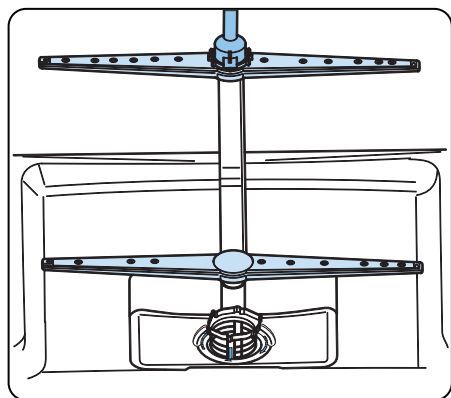


Brazos de rociado

Compruebe si todos los orificios del brazo de rociado superior e inferior están libres de obstrucciones.

Si presentan alguna obstrucción, extraiga los brazos de rociado y límpielos con agua corriente del grifo.

El brazo de rociado inferior se puede retirar tirando de él hacia arriba. Para eliminar el brazo de rociado superior, gire la tuerca de retención hacia la izquierda. Apriete adecuadamente la tuerca cuando vuelva a instalar el brazo de rociado superior.



¿QUÉ DEBE EVITAR LAVAR EN SU LAVAVAJILLAS?

- Todos los objetos que introduzca en el lavavajillas deben ser aptos para su uso en lavavajillas.
- Solo los plásticos marcados como "aptos para lavavajillas" o con una etiqueta equivalente pueden usarse en el lavavajillas. Los plásticos pueden perder su forma o color. Consulte las recomendaciones del fabricante.
- Cualquier plato de madera o que incorporen piezas de madera no es adecuado para lavar en el lavavajillas. Las altas temperaturas pueden hinchar la madera o agrietarla.
- Los objetos de plata sin etiqueta de aptos para su lavado en lavavajillas no deben lavarse en el lavavajillas porque las altas temperaturas y el detergente pueden dañar la plata. Consulte las recomendaciones del fabricante.
- Los objetos de plata y los objetos de acero aptos para lavavajillas no deben entrar en contacto, ya que la plata podría decolorarse.
- Los objetos de porcelana o de cristal con decoraciones y los utensilios pintados a mano también pueden perder el color y los patrones debido a las altas temperaturas. Los objetos no decorados son aptos para lavar en lavavajillas. Consulte las recomendaciones del fabricante.
- El aluminio puede tornarse negro en el lavavajillas debido al calor, el detergente utilizado o incluso determinados minerales del agua.
- No lave esponjas ni paños de cocina en el lavavajillas.
- No lave ningún material como acrílico, cobre, latón, estaño, hierro, bronce u hojalata.
- Las cazuelas sin una revestimiento antiadherente son seguras para lavarse en el lavavajillas, aunque algunos recipientes antiadherentes pueden perder el revestimiento y la capacidad antiadherente.
- Los platos y objetos de cubertería pegados no son adecuados para lavar en el lavavajillas debido a que los adhesivos utilizados para unir los materiales como plástico, madera, hueso, metal, cobre, hojalata, etc. pueden despegarse.

Recuerde que si tiene alguna duda sobre un aspecto relativo a los objetos que desea lavar en el lavavajillas, debe seguir las instrucciones del fabricante de los artículos o lavar estos objetos a mano.



ADVERTENCIA: En caso de duda, lave los objetos a mano o siga las instrucciones del fabricante de utensilios, platos, vasos o cazuelas y sartenes. No lave los objetos con restos de ceniza de cigarrillos, cera de vela, barnices, pinturas o sustancias químicas, ya que podría dañar el lavavajillas.



ADVERTENCIA: En general no es aconsejable abrir la puerta mientras el lavavajillas está en funcionamiento. Si la puerta se abre, un dispositivo de seguridad detendrá el lavavajillas. Se debe tener cuidado al abrir la puerta inmediatamente tras el ciclo debido al vapor que puede salir.



NOTA: Vacíe primero el cesto inferior y luego el cesto superior. Así evitará que caiga agua del cesto superior a los platos del cesto inferior.

9 RESOLUCIÓN DE PROBLEMAS

AVERÍA	CAUSA POSIBLE	RESOLUCIÓN DE PROBLEMAS
El ciclo no se inicia.	El lavavajillas no está encendido.	Encienda el lavavajillas pulsando el botón de encendido/apagado.
	Fusible fundido.	Compruebe los fusibles internos.
	El grifo de entrada de agua está cerrado.	Abra el grifo de entrada de agua.
	La puerta del lavavajillas está abierta.	Cierre la puerta del lavavajillas.
	La manguera de entrada de agua y los filtros de la máquina están obstruidos.	Compruebe la manguera de entrada de agua y los filtros de la máquina, y asegúrese de que no están obstruidos.
Queda agua dentro de la máquina.	El tubo de desagüe está obstruido o torcido.	Compruebe la manguera de desagüe y límpiela o enderézelo.
	Los filtros están obstruidos.	Limpie los filtros.
	El ciclo aún no ha terminado.	Espere a que el ciclo haya finalizado.
	Nota: Es normal que quede agua en la máquina debajo de los filtros.	
La máquina se detiene durante el lavado.	Fallo de alimentación.	Compruebe la conexión eléctrica.
	Fallo de entrada de agua.	Compruebe el grifo del agua.
Se escuchan ruidos de movimiento y golpes durante una operación de lavado.	El brazo de rociado golpea los platos de la cesta inferior.	Mueva o retire los elementos que bloquean el brazos de rociado.
Quedan restos de suciedad en los platos.	Platos colocado incorrectamente, lo que impide que el agua rociada llegue a los platos afectados.	No sobrecargue el lavavajillas.
	Platos apoyados entre sí.	Coloque los platos como se indica en la sección de carga del lavavajillas.
	Detergente insuficiente.	Utilice la cantidad correcta de detergente, como se indica en la tabla de ciclos.
	Ciclo incorrecto seleccionado.	Utilice la información de la tabla de ciclos para seleccionar el adecuado.
	El brazo de rociado se ha obstruido con restos de alimentos.	Limpie los orificios de los brazos de rociado con objetos finos.
	Filtros o bomba de desagüe obstruida, o filtro mal colocado.	Compruebe que la manguera de desagüe y los filtros están correctamente colocados.

AVERÍA	CAUSA POSIBLE	RESOLUCIÓN DE PROBLEMAS
Manchas blancas en los platos.	Detergente insuficiente.	Utilice la cantidad correcta de detergente, como se indica en la tabla de ciclos.
Los platos no se secan.	No se seleccionó la opción de secado.	Seleccione un ciclo con una opción de secado.
	La dosificación de abrillantador es demasiado baja.	Aumente el ajuste de dosis de abrillantador.
Manchas de óxido sobre los platos.	La calidad del acero inoxidable de la vajilla es insuficiente.	Utilice únicamente juegos aptos para el lavavajillas.
	Puesta a tierra incorrecta del suministro eléctrico.	Consulte a un electricista inmediatamente.
Queda detergente en el compartimento de detergente.	Se ha añadido detergente cuando el compartimento estaba mojado.	Asegúrese de que el compartimento de detergente está seco antes de utilizarlo.
	Los objetos introducidos en el lavavajillas pueden impedir que el compartimento del detergente se abra.	Asegúrese de que los objetos introducidos en el lavavajillas no bloquean el compartimento del detergente.

ADVERTENCIAS AUTOMÁTICAS DE FALLO Y QUÉ HACER

CÓDIGO DEL PROBLEMA	POSIBLE ERROR	LO QUE HAY QUE HACER
FF	Fallo del sistema de entrada del agua	Asegúrese de que el grifo de entrada del agua está abierto y de que el agua fluye.
		Retire la manguera de entrada del agua del grifo y limpie el filtro de la manguera.
		Póngase en contacto con el servicio técnico si el error no se resuelve.
F5	Fallo del sistema de presión	Póngase en contacto con el servicio técnico.
F3	Error de entrada continua de agua	Cierre el grifo y póngase en contacto con el servicio técnico.
F2	El agua no se descarga	La manguera de descarga de agua y los filtros pueden estar obstruidos.
		Cancele el ciclo.
		Si el error continúa, póngase en contacto con el servicio técnico.
F8	Error del calentador	Póngase en contacto con el servicio técnico.
F1	Desbordamiento	Desenchufe la máquina y cierre el grifo.
		Póngase en contacto con el servicio técnico.
F7	Sobrecalentamiento	Póngase en contacto con el servicio técnico.
F9	Error de posición de división	Póngase en contacto con el servicio técnico.
F6	Avería del sensor del calentador	Póngase en contacto con el servicio técnico.
HI	Fallo de alta voltaje	Póngase en contacto con el servicio técnico.

10 INFORMACIÓN PRÁCTICA

1. Cuando la máquina no esté en funcionamiento:
 - Desconecte la fuente eléctrica y cierre el grifo.
 - Deje la puerta ligeramente abierta para evitar la formación de olores.
2. Seleccione la opción de secado para retirar las gotas de agua.
3. Coloque los platos en la máquina correctamente para conseguir el mejor consumo de energía, y el mejor rendimiento de lavado y secado. Consulte la tabla de ciclos y consumos para obtener más información.
4. Enjuague los platos antes de colocarlos en el lavavajillas.
5. Utilice únicamente el ciclo de aclarado cuando sea necesario.
6. No coloque la máquina cerca de un refrigerador porque alcanzará altas temperaturas.
7. Si la máquina se sitúa en un área que puede congelarse, cierre el grifo, desconecte la manguera de entrada del grifo y drene todo el agua del interior de la manguera y la máquina.

TABLE DES MATIÈRES

GARANTIE.....	2
1 INSTRUCTIONS IMPORTANTES DE SÉCURITÉ	6
2 INSTALLATION.....	11
3 SPÉCIFICATIONS TECHNIQUES.....	13
4 AVANT D'UTILISER L'APPAREIL	14
5 CHARGEMENT DE VOTRE LAVE-VAISSELLE.....	16
6 TABLEAU DES CYCLES ET OPTIONS.....	22
7 LE PANNEAU DE COMMANDE	24
8 ENTRETIEN ET NETTOYAGE	27
9 DÉPANNAGE	30
10 INFORMATIONS PRATIQUES.....	33

Garantie limitée Kenmore

Les produits Kenmore® sont vendus et distribués par Kenmore et les distributeurs et licenciés agréés Kenmore dans différents pays.






Pour plus d'informations sur la garantie limitée et le fournisseur agréé applicable à votre produit et votre pays, consultez : <https://www.kenmore.com/warranty-information/>

Pour obtenir une copie imprimée, veuillez nous contacter au **1-844-553-6667** ou à l'adresse ci-dessous :

ATTN : Kenmore Warranty Request
5407 Trillium Suite B120
Hoffman Estates, IL 60192


Merci d'avoir choisi ce produit.


Ce manuel d'instructions contient des informations importantes sur la sécurité et des instructions destinées à vous aider dans l'utilisation et l'entretien de votre appareil. Prenez le temps de lire ce manuel d'instructions avant d'utiliser votre appareil et conservez ce document pour toute référence ultérieure.


Icône	Type	Signification
	AVERTISSEMENT	Blessures graves ou décès
	RISQUE D'ÉLECTROCUTION	Tension dangereuse
	TIRER	Avertissement : Risque d'incendie / matériaux inflammables
	ATTENTION	Blessures de l'utilisateur ou dommages matériels.
	IMPORTANT/REMARQUE	Utilisation correcte du système

INTRODUCTION

Veillez lire entièrement et attentivement ce manuel d'utilisation et notamment les consignes de sécurité. Elles vous permettront d'économiser du temps et des efforts, et contribueront à garantir les performances optimales du lave-vaisselle. Veillez à respecter tous les avertissements et toutes les précautions énumérés. Notez particulièrement les icônes contenant des points d'exclamation. L'icône d'information fournira également des références importantes.

 **AVERTISSEMENT** : Indique une situation potentiellement dangereuse qui, si elle n'est pas évitée, pourrait entraîner la mort ou des blessures graves.

 **ATTENTION** : Indique une situation potentiellement dangereuse qui, si elle n'est pas évitée, peut entraîner des blessures. Cette indication peut également être utilisée pour signaler des pratiques dangereuses.

 **AVIS** : Indique une situation potentiellement dangereuse qui, si elle n'est pas évitée, peut endommager le lave-vaisselle, la vaisselle, l'équipement ou l'environnement.

1 INSTRUCTIONS IMPORTANTES DE SÉCURITÉ

AVERTISSEMENT : Lors de l'utilisation du lave-vaisselle, il convient de respecter les précautions de base. Lisez toutes les instructions avant d'utiliser ce lave-vaisselle ! Conservez ce mode d'emploi et transmettez-le à tout futur utilisateur.

- N'utilisez le lave-vaisselle que pour l'usage auquel il est destiné, comme décrit dans ce manuel d'utilisation. Cet appareil est destiné à un usage domestique normal uniquement. Ne modifiez pas les spécifications de l'appareil. **Le fabricant décline toute responsabilité en cas de dommages ou de blessures causés par une utilisation incorrecte de cet appareil.**
- Les informations contenues dans ce manuel de l'utilisateur doivent être respectées afin de minimiser les risques d'incendie ou d'explosion et d'éviter les dommages matériels, les blessures corporelles ou la mort.
- N'utilisez que des détergents ou des produits de rinçage recommandés pour être utilisés dans un lave-vaisselle et gardez-les hors de la portée des enfants.
- Lors du chargement des articles à laver :
 - 1) Placez les objets tranchants de façon qu'ils ne risquent pas d'endommager le joint de la porte.
 - 2) Chargez les couteaux tranchants avec les poignées vers le haut pour réduire le risque de blessures.
- Ne lavez pas les articles en plastique, sauf s'ils portent la mention « lavable au lave-vaisselle » ou une mention équivalente. Pour les articles en plastique non marqués, vérifiez les recommandations du fabricant.
- Ne faites pas fonctionner votre lave-vaisselle si tous les panneaux du BOÎTIER ne sont pas correctement en place.

- Ne modifiez pas les commandes.
- Ne pas abuser, s'asseoir ou se tenir debout sur la porte ou le panier à vaisselle du lave-vaisselle.
- Les grilles à tasses sont conçues pour supporter les tasses, les verres et les ustensiles de cuisine. Lorsque les grilles à tasses sont dans le lave-vaisselle, ne vous appuyez pas sur les étagères à tasses et ne les utilisez pas pour supporter votre poids.
- Cet appareil doit être mis à la terre. En cas de dysfonctionnement ou de panne, la mise à la terre réduit le risque de choc électrique en fournissant un chemin de moindre résistance au courant électrique.

AVERTISSEMENT :

- Une mauvaise utilisation de la prise de mise à la terre peut entraîner un risque d'électrocution. En cas de doute sur le fait que l'appareil est correctement mis à la terre, contactez un technicien qualifié ou un représentant de service.
- Certains détergents pour lave-vaisselle sont fortement alcalins. Ils peuvent être extrêmement dangereux en cas d'ingestion. Évitez tout contact avec la peau et les yeux et éloignez les enfants et les personnes non aptes du lave-vaisselle lorsque la porte est ouverte.
- Consultez immédiatement un médecin si le détergent a été avalé ou inhalé.
- Ne retirez pas la vaisselle de l'appareil tant que le cycle n'est pas terminé. Du détergent peut rester sur la vaisselle.
- Vérifiez que le distributeur de détergent est vide après la fin de chaque cycle de lavage.

- Ne buvez pas et ne jouez pas avec l'eau de l'appareil. Des résidus nocifs pourraient être présents.
- Pour réduire le risque de blessures, ne pas permettre aux enfants de jouer sur ou avec le lave-vaisselle.
- Lorsque les enfants deviennent assez grands pour utiliser l'appareil, il est de la responsabilité des parents/tuteurs légaux de s'assurer qu'ils sont instruits sur les pratiques sûres par des personnes qualifiées.
- Ne laissez pas l'appareil avec la porte ouverte sans surveillance pour éviter de marcher accidentellement dessus.

⚠ AVERTISSEMENT : Avant toute opération d'entretien, mettez l'appareil hors tension et débranchez-le de l'alimentation électrique.

- N'utilisez pas de jets d'eau à haute pression et/ou de vapeur pour nettoyer l'appareil.
- Assurez-vous qu'il n'y a pas de fuites d'eau visibles pendant et après la première utilisation de l'appareil.
- Pour éviter d'endommager le sol et empêcher l'apparition de moisissure, ne laissez pas de zones humides autour ou en dessous du lave-vaisselle.
- Pour éviter d'endommager le lave-vaisselle, ne laissez pas d'eau rester dans les systèmes de votre lave-vaisselle pendant de longues périodes à basse température.

RISQUE DE BLESSURE : Pour éviter tout risque de blessure, faites toujours preuve de vigilance lorsque vous ouvrez la porte pendant ou après un cycle de lavage, car de l'eau chaude ou de la vapeur peut s'échapper.

- Ne stockez pas et n'utilisez pas de liquides ou de vapeurs inflammables dans le voisinage du lave-vaisselle, à proximité ou sur l'appareil.

- Dans certaines conditions, un gaz hydrogène peut être produit dans un système d'eau chaude qui n'a pas été utilisé pendant deux semaines ou plus. LE GAZ HYDROGÈNE EST EXPLOSIF. Si le système d'eau chaude n'a pas été utilisé pendant une telle période, avant d'utiliser l'appareil, ouvrir les robinets d'eau chaude et laisser couler l'eau pendant plusieurs minutes. Cela libérera tout le gaz hydrogène accumulé. Étant donné que le gaz est inflammable, ne pas fumer ou utiliser une flamme nue pendant ce temps.
- Veuillez vérifier périodiquement la conduite d'alimentation en eau. Elle est susceptible de se briser. Elle devient moins flexible avec le temps. Remplacez-la immédiatement lorsqu'elle est déchirée, coupée, gonflée ou s'il y a une fuite d'eau.
- Conservez l'emballage du lave-vaisselle hors de la portée des enfants après déballage.

AVERTISSEMENT :

Risque de blessure ou d'étouffement ! Assurez-vous que l'ensemble des emballages en plastique, sacs, petites pièces, etc. sont éliminés en toute sécurité et hors de portée des enfants.

RECYCLAGE

Retirez la porte du compartiment de lavage lorsque vous retirez un vieux lave-vaisselle ou que vous le mettez au rebut. Assurez-vous que l'appareil ne présente aucun danger pour les enfants lors de son stockage en vue de son élimination.

Avant de jeter le lave-vaisselle :

- Débranchez l'appareil du secteur.
- Coupez les connexions entre l'alimentation électrique et la boîte de jonction du lave-vaisselle.
- Retirez le loquet de la porte pour empêcher les enfants et animaux domestiques de s'enfermer dans l'appareil
- Les vieux appareils peuvent contenir des matériaux qui peuvent être recyclés. Contactez votre service de recyclage local au sujet de la possibilité de recycler ces matériaux.

CONSERVEZ CES INSTRUCTIONS

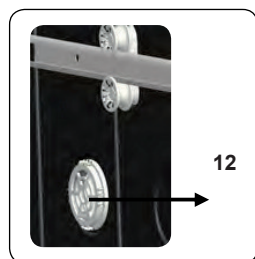
2 INSTALLATION

⚠ AVERTISSEMENT : Lors de l'installation du lave-vaisselle, suivez les instructions d'installation fournies avec le produit.

- L'installation, l'entretien et la réparation doivent être effectués par un installateur qualifié. Le travail par des personnes non qualifiées peut être dangereux et peut annuler la garantie.
- N'utilisez pas l'appareil s'il est endommagé, défectueux, partiellement démonté ou s'il comporte des pièces manquantes ou cassées.
- Avant l'installation ou l'entretien, débranchez l'alimentation électrique de la zone de travail en débranchant l'appareil, en « déclenchant » le disjoncteur ou en retirant le fusible.
- Ne branchez le lave-vaisselle à l'alimentation électrique que lorsque tous les travaux d'installation et de plomberie sont terminés.
- Ne connectez jamais le fil de terre aux conduites de gaz, d'eau chaude ou de plomberie.
- N'installez pas et ne rangez pas le lave-vaisselle dans un endroit où il peut être exposé à des températures inférieures au point de congélation ou exposé aux intempéries.
- Le lave-vaisselle doit être fixé aux armoires adjacentes à l'aide des supports fournis. Le non-respect de cette consigne peut causer des dommages matériels ou corporels.

- Connectez l'appareil à un circuit de puissance correctement évalué, protégé et mesuré pour éviter une surcharge électrique. Le lave-vaisselle est conçu pour une alimentation électrique de 120 V (volts), 60 Hz (hertz), CA, connectée à un circuit électrique dédié au lave-vaisselle, correctement mis à la terre, avec un fusible ou des disjoncteurs de 15 ampères.
- Les conducteurs d'alimentation électrique doivent être constitués d'un fil de cuivre d'au moins 16 AWG évalué à 90 °C (194 °F) ou plus. Ces exigences doivent être respectées pour éviter les blessures et les dommages à l'appareil. En cas de doute, consultez un électricien qualifié.
- N'utilisez pas de rallonge ou de prise de courant portable pour connecter le lave-vaisselle à une alimentation électrique.

3 SPÉCIFICATIONS TECHNIQUES



Apparence générale

1. Panier supérieur avec grilles
2. Bras de lavage supérieur
3. Panier inférieur
4. Bras de lavage inférieur
5. Troisième panier
6. Buse supérieure
7. Filtres
8. Plaque signalétique
9. Panneau de commandes
10. Distributeur de détergent et de liquide de rinçage
11. Système de loquet de la piste du panier supérieur
12. Unité de séchage : Ce système permet d'améliorer les performances de séchage de votre vaisselle.

Caractéristiques techniques

Pression d'eau admissible	4,35 - 145 psi (0,3 - 10 bars)
Raccordement électrique	120 V (volts), 12 A (ampères), 60 Hz (hertz)
Puissance totale	1400 (W)
Puissance du chauffage :	1100 (W)



AVIS : Nous nous efforçons continuellement d'améliorer nos produits, nous pouvons donc modifier nos spécifications et notre conception sans préavis. Cet appareil correspond aux directives suivantes : Directive UL 749 sur les lave-vaisselle ménagers.

4 AVANT D'UTILISER L'APPAREIL

Préparer votre lave-vaisselle pour la première utilisation

- Veuillez vérifier que les alimentations en eau et en électricité correspondent aux valeurs indiquées dans les instructions d'installation de l'appareil.
- Enlevez tous les matériaux d'emballage de l'intérieur de l'appareil.
- Remplissez le compartiment à liquide de rinçage.

Utilisation du détergent

Utilisez uniquement des détergents conçus spécifiquement pour les lave-vaisselle domestiques. Gardez les détergents dans des endroits secs et frais hors de la portée des enfants.

Ajoutez le détergent approprié pour le cycle sélectionné pour assurer les meilleures performances. La quantité de détergent nécessaire dépend du cycle, de la taille de la charge et du niveau de saleté de la vaisselle.

Ne pas trop remplir le compartiment à détergent. L'utilisation d'une trop grande quantité de détergent peut entraîner une décoloration des verres et de la vaisselle, ainsi que la corrosion du verre. L'utilisation continue de trop de détergent peut endommager l'appareil.

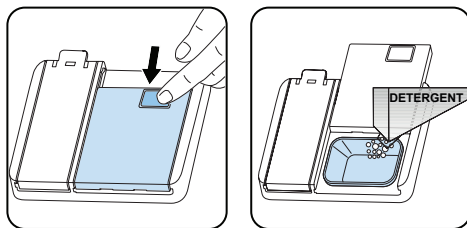
L'utilisation d'une quantité insuffisante de détergent peut entraîner un mauvais nettoyage et des traces blanchâtres, en particulier en cas d'eau dure.

Consultez les instructions du fabricant de détergent pour plus d'informations.

Remplissage du détergent

Appuyez sur le loquet pour ouvrir le distributeur et versez le détergent.

Fermez le couvercle et appuyez jusqu'à ce qu'il se verrouille en place. Le distributeur doit être rempli à nouveau juste avant le début de chaque cycle. Si les plats sont très sales, placez du détergent supplémentaire dans le compartiment de détergent pré-lavage.



Utilisation de sachets de détergent

Ces produits doivent être utilisés selon les instructions du fabricant.

Ne mettez jamais de sachets de détergent dans la section intérieure ou dans le panier à couverts.

Les sachets de détergent contiennent non seulement du détergent, mais aussi du liquide de rinçage, des substances de remplacement du sel et des composants supplémentaires en fonction de la combinaison.

Nous vous recommandons de ne pas utiliser de sachets de détergent pour des cycles courts. Veuillez utiliser des détergents en poudre ou liquides au lieu des sachets de détergent pour les cycles courts.

Si vous rencontrez des problèmes lors de l'utilisation de sachets de détergent, contactez le fabricant du détergent.

Lorsque vous arrêtez d'utiliser des sachets de détergent, assurez-vous que les réglages de liquide de rinçage sont à un niveau correct.

Utilisation de liquide de rinçage

Le liquide de rinçage vous aide à sécher la vaisselle sans laisser de stries et de taches. Un liquide de rinçage est nécessaire pour des ustensiles sans taches et des verres transparents. Le liquide de rinçage est automatiquement diffusé pendant la phase de rinçage à chaud. Si le réglage de la dose de liquide de rinçage est trop faible, des taches blanchâtres restent sur la vaisselle, et les plats ne sont pas secs et propres.

Si le réglage du produit de rinçage est trop élevé, des couches bleutées peuvent apparaître sur les verres et la vaisselle.

Remplissage et réglage du liquide de rinçage

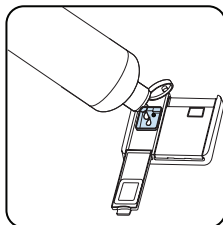
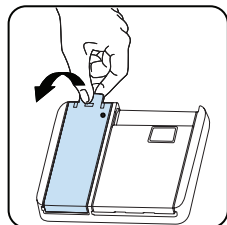
Pour remplir le compartiment de liquide de rinçage, ouvrez le bouchon du compartiment de liquide de rinçage. Remplissez le compartiment de liquide de rinçage au niveau MAXIMUM, puis fermez le couvercle. Veillez à ne pas trop remplir le compartiment de rinçage, et essayez tout d'abord.

Afin de modifier le niveau de liquide de rinçage, suivez les étapes ci-dessous

- Allumez l'appareil en appuyant sur la touche d'alimentation.
- Appuyez sur la touche Programme pendant au moins 5 secondes immédiatement après l'allumage de l'appareil.
- Relâchez la touche départ différé lorsque « rA » s'affiche. Ensuite, le dernier niveau de réglage s'affiche.
- Réglez le niveau en appuyant sur la touche de cycle.
- Éteignez l'appareil pour enregistrer le paramètre.

Le réglage d'usine est « 4 ».

Si les plats ne sèchent pas correctement ou sont tachés, augmentez le niveau. Si des taches bleues se forment sur vos plats, diminuez le niveau.




Niveau	Dose de liquide de rinçage	Indicateur
1	Liquide de rinçage non distribué	r:1 s'affiche à l'écran.
2	1 dose est distribuée	r:2 s'affiche à l'écran.
3	2 doses sont distribuées	r:3 s'affiche à l'écran.
4	3 doses sont distribuées	r:4 s'affiche à l'écran.
5	4 doses sont distribuées	r:5 s'affiche à l'écran.


5 CHARGEMENT DE VOTRE LAVE-VAISSELLE

Un chargement correct du lave-vaisselle lui permettra de fonctionner efficacement et d'offrir les meilleures performances de lavage et de séchage possibles.


La grille inférieure peut accueillir des articles larges et profonds, comme des casseroles à long manche, des couvercles de casseroles, des assiettes, des saladiers et des couverts. Le panier supérieur a été conçu pour les assiettes à dessert, saladiers, tasses et verres. Lorsque vous placez des verres à pied et des gobelets, appuyez-les contre le bord du panier, contre le panier ou contre le fil de support à verre et non les uns contre les autres. Ne placez pas les longs verres les uns contre les autres. Ils pourraient bouger et être endommagés. Il est plus adéquat de placer les objets minces et étroits vers la section centrale des paniers. Placez les cuillères dans des ouvertures séparées du panier à couverts et ne les laissez pas s'emboîter.


Utilisez le panier à couverts pour obtenir le meilleur résultat de nettoyage pour les cuillères, les fourchettes et les couteaux. Pour éviter de possibles blessures, placez toujours les objets à long manche et pointus comme les fourchettes, les couteaux à pain, etc., avec leur côté pointu vers le bas ou horizontaux dans le panier.


 **AVERTISSEMENT** : Placez votre vaisselle dans l'appareil d'une manière n'empêchant pas aux bras de lavage supérieur et inférieur de tourner.

 **REMARQUE** : Placez tous les articles volumineux et très sales dans le panier inférieur.


 **AVERTISSEMENT** : Ne mettez pas dans l'appareil d'objets absorbant l'eau (éponges, torchons).

 **REMARQUE** : Placez tous les récipients tels que les tasses, les verres et les casseroles dans le lave-vaisselle avec l'ouverture vers le bas (afin qu'aucune eau ne puisse s'accumuler).

 **REMARQUE** : La vaisselle et les couverts ne doivent pas être superposés.


 **REMARQUE** : Ne surchargez pas votre lave-vaisselle et faites attention aux instructions du fabricant concernant la vaisselle appropriée pour une utilisation dans un lave-vaisselle. Ce n'est qu'avec de la vaisselle adaptée (voir chapitre 5) que vous obtiendrez des résultats de lavage optimaux avec une utilisation responsable de l'énergie.

L'eau à haute température et le détergent pour lave-vaisselle peuvent former une synthèse chimique qui peut endommager certains articles.

 **AVERTISSEMENT** : Faites attention lorsque vous chargez et déchargez des objets tranchants. Chargez les couteaux tranchants avec les poignées vers le haut pour réduire le risque de blessures.

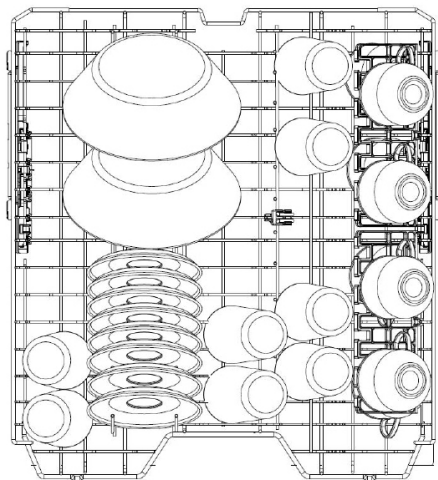
Suivez les étapes ci-dessous avant de charger le lave-vaisselle.

1. Ouvrez la porte.
2. Retirez les restes de nourriture de la vaisselle.
3. Chargez le lave-vaisselle.

 **REMARQUE** : Pendant que l'appareil fonctionne, si vous ouvrez la porte, toutes les fonctions sont automatiquement interrompues. Une fois la porte fermée, les fonctions se poursuivront.

Panier supérieur

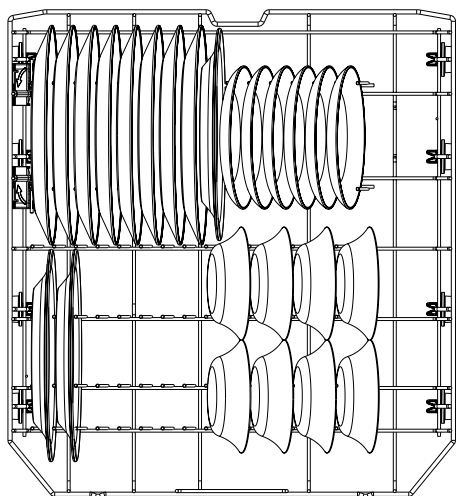
Chargez le panier supérieur avec des assiettes à dessert, des tasses, des verres, etc.



Modèle de chargement du panier supérieur pour 8 couverts.

Panier inférieur

Vous pouvez placer dans le panier inférieur des objets ronds et profonds tels que des casseroles aux manches longs, des couvercles, des assiettes, des plats à salade et des ensembles de couverts. Le panier inférieur ne doit pas être utilisé pour de petits objets tels que des tasses ou des verres à vin.



REMARQUE : Placez tous les articles volumineux et très sales dans le panier inférieur.



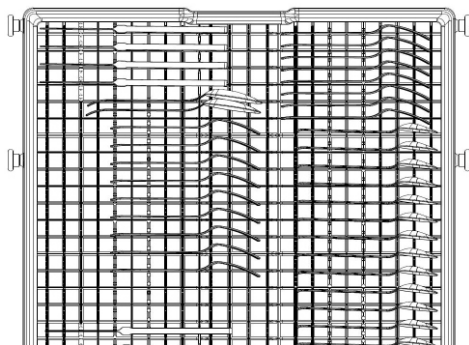
AVERTISSEMENT : Les grands couteaux et autres ustensiles avec des pointes et des bords tranchants doivent être placés horizontalement dans le panier supérieur en raison du risque de blessure. Les autres petits couteaux et ustensiles tranchants doivent être placés avec le côté tranchant vers le bas dans le panier à couverts.



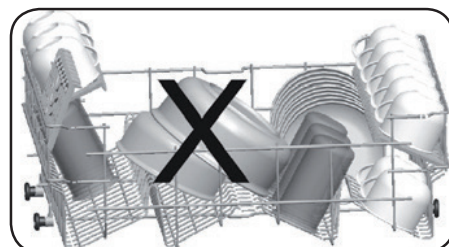
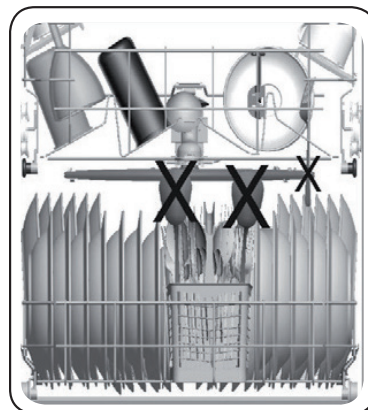
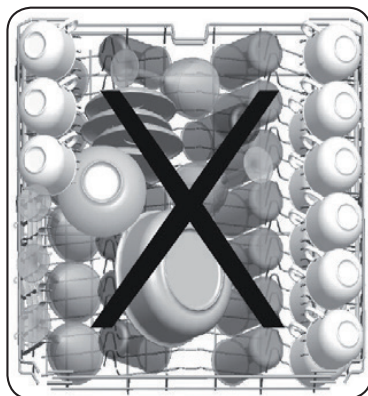
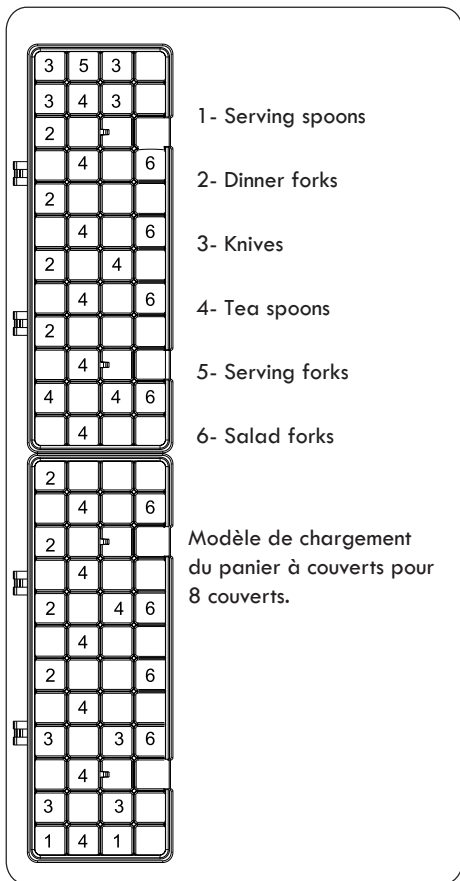
REMARQUE : Assurez-vous que les gros articles n'interfèrent pas avec la rotation des bras gicleurs et n'empêchent pas le distributeur de détergent de s'ouvrir.

Troisième panier (certains modèles)

Le troisième panier peut contenir des articles tels que des couteaux, des cuillères, des fourchettes, des cuillères de service, etc.



Modèle de chargement du troisième panier pour 8 couverts.



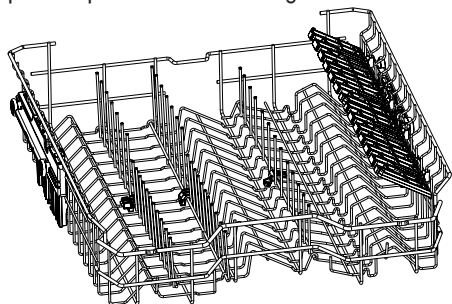
Charges incorrectes

Une charge incorrecte peut causer des problèmes de lavage et de séchage. Suivez les recommandations du fabricant pour un fonctionnement idéal.

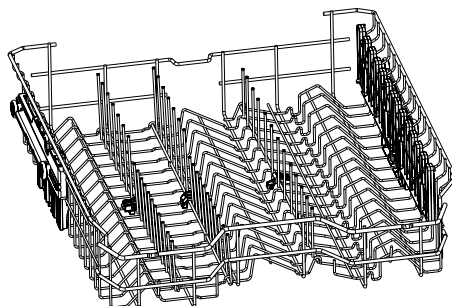
Panier supérieur avec grille à gobelets

Ces grilles sont conçues pour augmenter la capacité du panier supérieur. Placez les tasses et les verres sur ce panier. La fonction d'ajustement permet d'accueillir des articles de tailles différentes.

Placez les longs couteaux, fourchettes et cuillères sur ces grilles horizontalement afin de ne pas bloquer les bras de lavage.



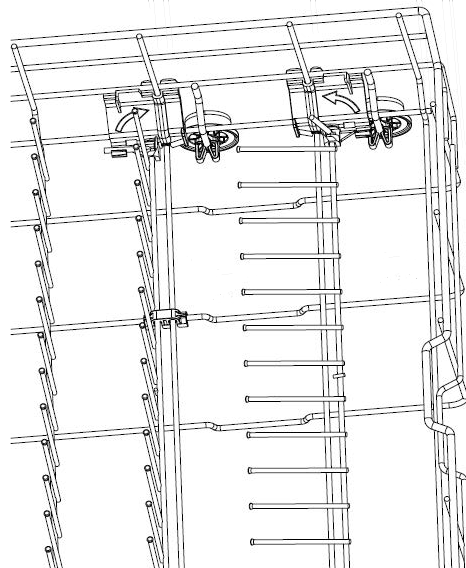
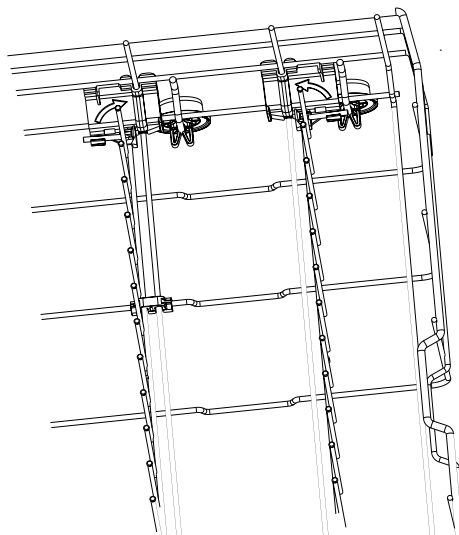
POSITION OUVERTE DE LA GRILLE À TASSES



POSITION FERMÉE DE LA GRILLE À TASSES

Pointes repliables de la crémaillère inférieure

Le panier inférieur comporte deux sections de pointes repliables. Les pointes peuvent être repliées pour faciliter le chargement de gros objets, comme des casseroles et des poêles. Chacune des deux sections de pointes peut être repliée séparément, ou toutes peuvent être repliées ensemble pour créer une plus grande surface de chargement.



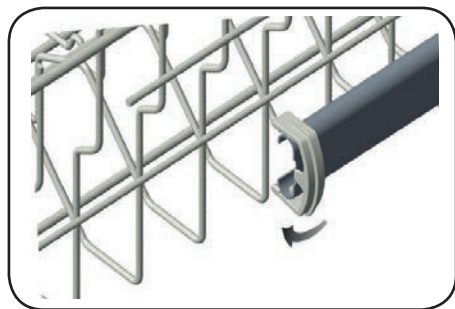
Réglage de la hauteur du panier supérieur - lorsque le panier est vide

Sur certains modèles, le réglage de la hauteur de la grille supérieure peut être modifié à l'aide des roues présentes à deux niveaux de hauteur.

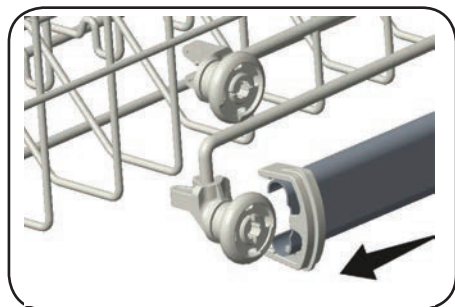


AVIS : Amener les fils en position horizontale en les tenant par les pointes peut les faire plier. Par conséquent, il conviendra de ramener les fils du milieu en position horizontale ou verticale en les tenant par leurs tiges et en les poussant.

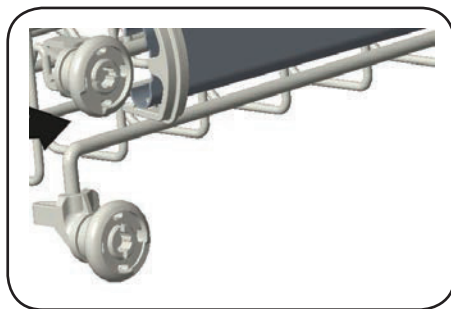
1. Libérez les loquets des rails droit et gauche de la grille supérieure en les tournant vers l'extérieur A.



2. Retirez complètement la grille B.

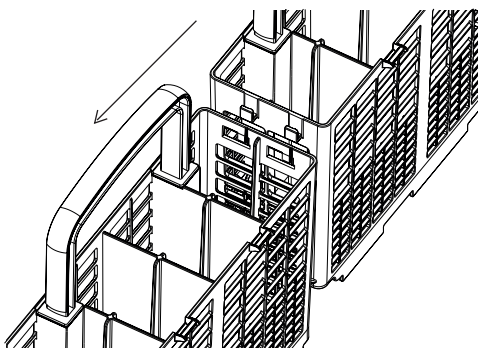


3. Remplacez la grille sur les rails à la hauteur souhaitée C.

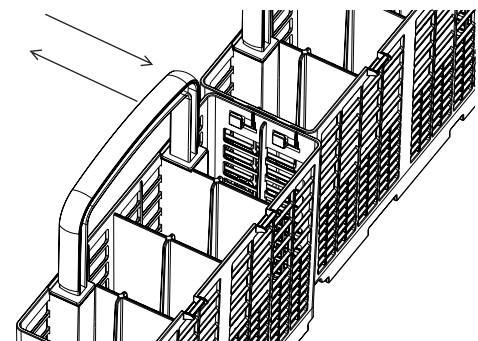


4. Repoussez les loquets dans la bonne position.

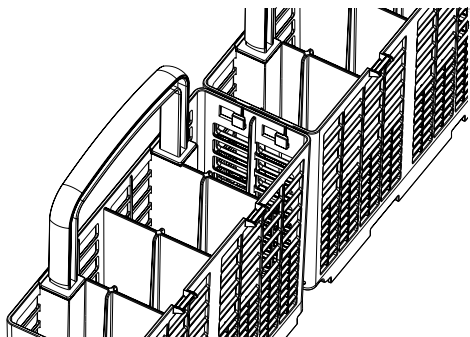
Il y a deux paniers à couverts dans le lave-vaisselle. Les deux paniers peuvent être assemblés ensemble ou utilisés séparément. Suivez les étapes ci-dessous pour l'assemblage.



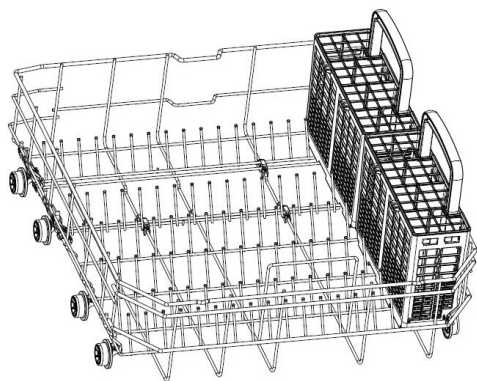
Les languettes du panier sont alignées sur l'ouverture de l'autre panier.



Poussez les paniers l'un contre l'autre en alignant la languette d'un panier sur la fente de l'autre panier.



La languette est glissée en position pour assembler les paniers.



Les paniers à couverts sont placés dans le panier inférieur.

6 TABLEAU DES CYCLES ET OPTIONS

Cycles		Durée (min)	Descriptions
Normal	Sale	145	Cycle standard pour une utilisation quotidienne, régulière ou typique pour laver complètement une charge de vaisselle normalement sale.
	Propre	122	
Lavage intelligent	Sale	155	Ce cycle ajuste automatiquement la température et la quantité d'eau, la consommation d'énergie et la durée du cycle.
	Propre	110	
Marmites et casseroles		130	Convient pour la vaisselle très sale.
Délicat		90	Convient pour la vaisselle délicate peu sale.
Express		50	Convient à la vaisselle quotidienne normalement sale lorsqu'un résultat rapide est nécessaire.
Rinçage rapide		15	Pour rincer la vaisselle qui sera lavée ultérieurement.

Compatibilité des Cycles et options		Options						
		Différé Démarrage	Accélééré Lavage	Silencieux Lavage	Demi-Charger	Séchage Extra	Fort Rinçage	Élevé Temp
Cycles	Normal	√	√	√	√	√	√	√
	Lavage intelligent	√	√	√	√	√	√	√
	Marmites et casseroles	√	√	√	√	√	√	√
	Délicat	√	√	√	√	√	X	X
	Express	√	X	X	√	√	√	√
	Rinçage rapide	√	X	X	√	X	X	X



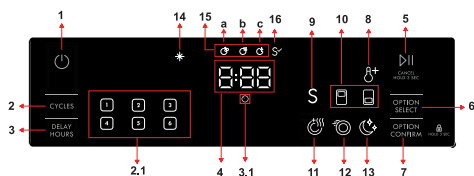
REMARQUE : La durée du cycle peut varier en fonction de la quantité de vaisselle, de la température de l'eau, de la température ambiante et des fonctions supplémentaires sélectionnées.



REMARQUE : L'étiquette de consommation d'énergie est basée sur le cycle « Normal ». Ce cycle est le plus efficace en termes de consommation combinée d'énergie et d'eau pour nettoyer la vaisselle avec un niveau normal de saleté. L'étiquette Energy Guide est basée sur le cycle de détection de salissure normale. Dans ce cycle, le lave-vaisselle a été testé sans aucun produit de rinçage dans le distributeur de produit de rinçage, avec une dose unique de détergent dans le distributeur de détergent et du détergent utilisé pour l'étape de prélavage. Pour les cycles avec prélavage, une dose de détergent peut être ajoutée à l'intérieur de la porte de l'appareil. Nous recommandons que la position de la grille pour les charges de vaisselle soit réglée sur la position la plus élevée, comme dans le test du certificat énergétique.

- Utilisez uniquement du détergent en poudre ou liquide pour les cycles courts.
- Les cycles courts ne comprennent pas d'étape de séchage.
- Pour faciliter le séchage, nous vous recommandons d'ouvrir légèrement la porte à la fin d'un cycle.

7 LE PANNEAU DE COMMANDE



1. Bouton d'alimentation
2. Touche Cycles
- 2.1 Indicateurs de cycle
3. Touche d'heures de retard
- 3.1 Indicateur de retard
4. Indicateur de temps restant
5. Touche Départ/Pause
6. Touche de sélection des options
7. Touche de confirmation des options
8. Indicateur de l'option haute température
9. Indicateur d'option de rinçage assainissant
10. Indicateurs d'option de demi-charge
11. Indicateur d'option de séchage supplémentaire
12. Indicateur d'option de lavage rapide
13. Indicateur d'option de lavage silencieux
14. Indicateur de liquide de rinçage
15. Voyants de progrès du cycle de lavage
 - a- Symbole de cycle de lavage
 - c- Symbole de cycle de séchage
 - c- Symbole de fin de cycle
16. Indicateur désinfecté

1. Touche d'alimentation
Allumez l'appareil en appuyant sur la touche d'alimentation.

2. Touche Cycles
Sélectionnez un cycle approprié en appuyant sur la touche Cycles. L'indicateur de cycle sélectionné (2.1) sera allumé. Pour les détails des cycles, consultez la section Table des cycles.

3. Touche Heures de retard
L'heure de début du cycle peut être retardée de 1 à 24 heures en appuyant sur la touche Heures de retard. Lorsque vous appuyez sur la touche Delay Hours, l'écran affiche « 1h ». L'affichage alterne entre le délai et la durée du cycle toutes les deux secondes. Le temps de retard augmente par incréments d'une heure chaque fois que vous appuyez sur la touche Heures de retard. Lorsque le nombre d'heures de retard souhaité a été réglé, appuyez sur la touche

Départ/Pause. L'indicateur de retard (3.1) sera allumé. Si le lave-vaisselle est éteint après avoir activé la fonction de démarrage différé, le délai est annulé.

REMARQUE : Si la porte du lave-vaisselle est ouverte pendant le délai et refermée dans les quatre secondes, le lave-vaisselle reprend le décompte du délai. Si la porte est ouverte pendant plus de quatre secondes, la temporisation est interrompue. Pour reprendre la minuterie, appuyez sur la touche Départ/Pause et fermez la porte.

4. Indicateur de temps restant
La durée du cycle peut être contrôlée grâce à l'indicateur de temps du cycle.

5. Touche Départ/Pause
Après avoir choisi le cycle et les options, appuyez sur la touche Départ/Pause pour lancer le cycle. Le temps restant s'affiche dans l'indicateur de temps restant. La durée totale peut varier en fonction de la température ambiante, de la température de l'eau et de la saleté de la vaisselle. Lorsque le cycle est en cours, une pression sur la touche Départ/Pause permet de l'interrompre. Il est préférable d'éviter d'ouvrir la porte lorsque le lave-vaisselle est en marche, mais s'il est nécessaire d'ouvrir la porte, le cycle s'interrompt lorsque la porte est ouverte. Si la porte est refermée dans les quatre secondes qui suivent l'ouverture de la porte, le cycle se poursuit automatiquement. Si la porte est ouverte pendant plus de quatre secondes, vous devez la fermer et appuyer sur la touche Départ/Pause pour reprendre le cycle.

6. Touche de sélection des options
Les options peuvent être sélectionnées en appuyant plusieurs fois sur la touche de sélection des options. L'option choisie sera indiquée par une DEL clignotante.

7. Bouton de confirmation d'option
Ajoutez l'option au cycle en appuyant sur la touche de confirmation de l'option. La DEL pour l'option choisie restera alors allumée.

8. Indicateur d'option haute température
Lorsque cette option est sélectionnée, la température de l'eau et le temps de lavage sont augmentés.

9. Indicateur de l'option Rinçage assainissant

L'option Rinçage assainissant augmente la température de l'eau lors du rinçage final.

10. Indicateurs d'option de demi-charge

Il existe une option de demi-charge avec trois modes. Utilisez la fonction de demi-charge pour diriger le nettoyage vers le panier souhaité lorsque le lave-vaisselle n'est pas complètement chargé. Lorsque l'option demi-charge est sélectionnée en appuyant sur la touche de sélection des options, le ou les voyants du panneau de commande correspondants s'allument en fonction des sélections. Appuyez sur la touche de confirmation d'option après chaque sélection de mode de demi-charge. Si les indicateurs de demi-charge supérieure et de demi-charge inférieure sont sélectionnés ensemble, la durée du cycle est raccourcie et la consommation d'énergie et d'eau est réduite.

11. Indicateur d'option de séchage supplémentaire

Sélectionnez l'option Séchage supplémentaire pour ajouter des étapes de séchage supplémentaires à un cycle afin d'obtenir des plats plus secs. Cette option permet d'augmenter la température de l'eau lors de l'étape de rinçage final et la durée de l'étape de séchage.

12. Indicateur d'option de lavage rapide

Sélectionnez l'option Lavage accéléré pour réduire la durée d'un cycle en augmentant la température et la pression de l'eau.

13. Indicateur d'option de lavage silencieux

Sélectionnez l'option Lavage silencieux pour réduire le niveau sonore de l'opération de lavage en abaissant le niveau de pression de l'eau.

14. Indicateur de liquide de rinçage

Lorsque le niveau de produit de rinçage est bas, l'indicateur de liquide de rinçage s'allume, signalant que le compartiment de liquide de rinçage doit être rempli.

15. Voyants de progrès du cycle de lavage

L'écran affiche les symboles de lavage, de séchage et de fin de cycle correspondant à l'état actuel du cycle.

16. Indicateur désinfecté

Si le cycle sélectionné avec l'option Rinçage

assainissant (à l'exception du cycle Express) est correctement assaini, l'indicateur d'assainissement s'allume à la fin du cycle.

REMARQUE : Le verrouillage des commandes est activé/désactivé en appuyant sur la touche Confirmer l'option (7) pendant environ 3 secondes. Lorsqu'il est activé, toutes les DEL clignotent et « CL » s'affiche sur l'indicateur du temps restant (4).

REMARQUE : Pour enregistrer un cycle comme favori, appuyez simultanément sur les touches Cycles (2) et Heures de retard (3). Pour sélectionner le cycle souhaité, appuyez sur la touche Cycles (2) pendant 3 secondes.

Annulation d'un cycle

Si vous souhaitez annuler un cycle en cours. Appuyez sur la touche Départ/Pause pendant 3 secondes. Pendant l'annulation, l'indicateur Fin de programme clignote. L'appareil vidangera l'eau qu'elle contient pendant environ 30 secondes. Lorsque l'indicateur Fin de programme s'allume, éteignez votre appareil en utilisant la touche d'alimentation.

Mise à l'arrêt de l'appareil

Éteignez votre appareil avec la touche Marche/Arrêt lorsque le cycle est terminé et que le voyant Fin de cycle est allumé.

REMARQUE : À la fin d'un cycle, la porte peut rester ouverte pour faciliter le processus de séchage.

REMARQUE : Si la porte de l'appareil est ouverte ou si l'alimentation est coupée pendant le lavage, le cycle se poursuivra lorsque la porte sera fermée ou que le courant sera rétabli.

Contrôle du niveau du signal sonore

Pour modifier le niveau sonore de l'avertisseur sonore, procédez comme suit :

1. Appuyez simultanément sur les touches Sélection des options (6) et Confirmation d'option (7) pendant 3 secondes.
2. Lorsque le réglage sonore est reconnu, l'avertisseur sonore émet un son long et l'appareil affiche le dernier niveau défini, de « S0 » à « S3 ».
3. Pour augmenter le niveau sonore, appuyez sur la touche Confirmer l'option (7). Pour

- augmenter le niveau sonore, appuyez sur la touche Sélectionner l'option (6).
4. Pour enregistrer le niveau sonore sélectionné, éteignez l'appareil.
Le niveau « S0 » signifie que le signal sonore est désactivé.
Le réglage d'usine est S3.

Mode d'économie d'énergie

Pour activer ou désactiver le mode d'économie d'énergie, suivez les étapes ci-dessous :

1. Appuyez simultanément sur les touches Cycles (2) et Sélection d'option (6) pendant 3 secondes.
2. Après 3 secondes, l'appareil affiche le dernier réglage, « IL1 » ou « ILO ».
3. Lorsque le mode d'économie d'énergie est activé « IL1 » s'affiche. Dans ce mode, l'appareil s'éteint après 15 minutes d'inactivité afin d'économiser de l'énergie.
4. Lorsque le mode d'économie d'énergie est désactivé « ILO » s'affiche. Si le mode économie d'énergie est désactivé, l'appareil reste toujours allumé, sauf s'il est éteint par l'utilisateur.
5. Pour enregistrer le réglage sélectionné, éteignez l'appareil. En réglage d'usine, le mode d'économie d'énergie est activé.

8 ENTRETIEN ET NETTOYAGE

! **AVERTISSEMENT** : Avant de nettoyer ou d'effectuer l'entretien, éteignez l'appareil, débranchez la prise secteur et fermez le robinet d'eau.

N'essayez pas de réparer ou d'entretenir votre appareil au-delà de ce qui est décrit dans ce manuel.

! **AVERTISSEMENT** : Toutes les surfaces sont sensibles aux rayures. Le contact avec des produits de nettoyage inappropriés peut altérer ou décolorer toutes les surfaces.

! **AVERTISSEMENT** : Gardez le sol autour de votre lave-vaisselle propre et sec pour éviter toute blessure possible. Il est recommandé de garder le lave-vaisselle propre et vide avec la porte entrouverte pour permettre à l'air de circuler lorsqu'il n'est pas utilisé pendant une période prolongée.

La porte du lave-vaisselle peut être endommagée par les nettoyants abrasifs, les tampons à récurer et les chiffons abrasifs. Nettoyer l'appareil à intervalle régulier prolonge sa durée de vie.

L'huile et le calcaire peuvent s'accumuler dans la section lavage de l'appareil. Pour éliminer cette accumulation, remplissez le compartiment à détergent, ne chargez pas de vaisselle dans le lave-vaisselle, sélectionnez le cycle « casseroles et poêles » avec l'option « température élevée » et démarrez l'appareil.

Si l'accumulation n'est pas éliminée, utilisez des produits de nettoyage recommandés pour les lave-vaisselle. Suivez les instructions du fabricant du produit de nettoyage.

Pour nettoyer les résidus accumulés dans les joints de la porte, nettoyez les joints régulièrement avec un chiffon humide.

Nettoyez les filtres et bras de lavage au moins une fois par mois.

Coupez l'alimentation de la machine et fermez le robinet avant de commencer le nettoyage.

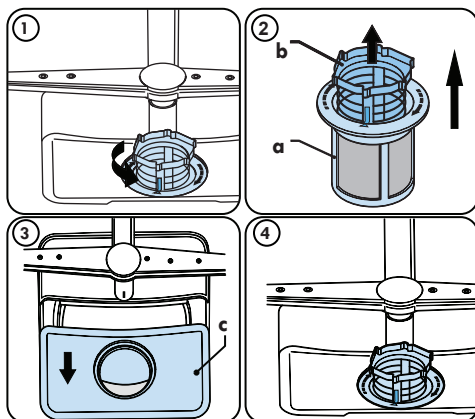
N'utilisez pas de produits abrasifs pour nettoyer

le lave-vaisselle. Essayez avec un nettoyant recommandé pour les lave-vaisselle et un chiffon humide.

Pour nettoyer les filtres, tournez le filtre grossier (b) dans le sens inverse des aiguilles d'une montre, puis tirez vers le haut pour retirer le filtre grossier et le microfiltre (a). Une fois le filtre grossier et le microfiltre retirés, le filtre à mailles (c) peut être soulevé. Retirez tous les débris des filtres et nettoyez-les soigneusement sous l'eau du robinet.

Filtre

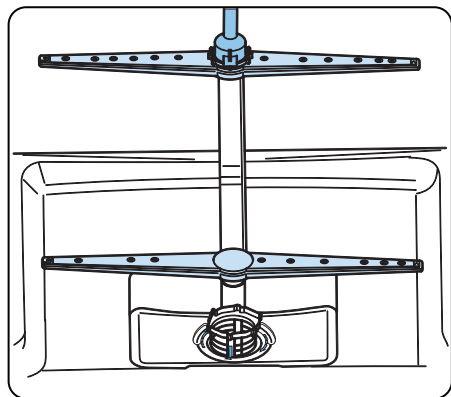
- a. Filtre micro
- b. Filtre grossier
- c. Filtre à mailles



Bras de lavage

Vérifiez l'état de colmatage de tous les orifices des bras de pulvérisation inférieur et supérieur. Si l'un des trous est encrassé, retirez le bras de lavage et nettoyez-le sous l'eau courante.

Le bras de pulvérisation inférieur peut être retiré en le tirant vers le haut. Pour retirer le bras de pulvérisation supérieur, tournez l'écrou de retenue dans le sens inverse des aiguilles d'une montre. Serrez correctement l'écrou lorsque vous réinstallez le bras de pulvérisation supérieur.



QU'EST-CE QUI NE DOIT PAS ÊTRE LAVÉ DANS VOTRE LAVE-VAISSELLE ?

- Tous les articles à mettre dans le lave-vaisselle doivent être lavables au lave-vaisselle.
- Seuls les plastiques portant une étiquette « lavable au lave-vaisselle » ou une étiquette équivalente ne peuvent être utilisés que dans des lave-vaisselle. Les plastiques peuvent perdre leur forme ou leur couleur. Consultez le fabricant pour obtenir des recommandations.
- La vaisselle en bois ou composée d'éléments en bois ne peut pas être lavée au lave-vaisselle. Les températures élevées peuvent faire gonfler ou fissurer le bois.
- Les articles en argent sans étiquette indiquant qu'ils sont lavables au lave-vaisselle ne doivent pas être lavés au lave-vaisselle, car les températures élevées et le détergent peuvent endommager votre argent. Consultez le fabricant pour obtenir des recommandations.
- Les articles en argent lavables au lave-vaisselle et les articles en acier inoxydable ne doivent pas entrer en contact, car l'argent peut se décolorer.
- La porcelaine et la verrerie avec des décorations et les ustensiles peints à la main peuvent perdre leur couleur et leurs motifs en raison des températures élevées. Les articles non décorés sont lavables au lave-vaisselle. Consultez le fabricant pour obtenir des recommandations.
- L'aluminium peut devenir plus sombre au lave-vaisselle en raison de la chaleur, du détergent utilisé ou même de certains minéraux de votre eau.
- Ne lavez pas les éponges ou les torchons au lave-vaisselle.
- Ne lavez aucun matériau comme l'acrylique, le cuivre, le laiton, le fer, le bronze ou l'étain.
- Les casseroles sans revêtement antiadhésif peuvent être nettoyées en toute sécurité par le lave-vaisselle, mais certaines casseroles et poêles antiadhésives peuvent perdre leur revêtement et leur capacité d'adhérence.
- La vaisselle ou les couverts collés ne conviennent pas au lavage au lave-vaisselle, car les adhésifs qui joignent des matériaux tels que le plastique, le bois, l'os, l'acier, le cuivre, l'étain, etc. peuvent se détacher.

N'oubliez pas qu'en cas de doute sur un aspect des articles à laver au lave-vaisselle, vous devez suivre les instructions du fabricant des articles ou laver les articles à la main.



AVERTISSEMENT : En cas de doute, lavez à la main ou suivez les instructions du fabricant des ustensiles, de la vaisselle, des verres ou des casseroles et poêles. Ne lavez pas les articles souillés de cendres de cigarette, de cire de bougie, de vernis, de peintures ou de produits chimiques, car ils peuvent endommager votre lave-vaisselle.



AVERTISSEMENT : De façon générale, il est déconseillé d'ouvrir la porte lorsque le lave-vaisselle est en marche. Si la porte est ouverte, un dispositif de sécurité arrête le lave-vaisselle. Des précautions doivent être prises lors de l'ouverture de la porte immédiatement après le cycle, car de la vapeur peut s'échapper.



REMARQUE : Videz la grille inférieure d'abord, puis la grille supérieure. Cela évitera l'écoulement d'eau de la grille supérieure sur les plats de la grille inférieure.

9 DÉPANNAGE

DÉFAUT	CAUSE POSSIBLE	DÉPANNAGE
Le cycle ne démarre pas.	Le lave-vaisselle n'est pas allumé.	Mettez le lave-vaisselle en marche en appuyant sur la touche d'alimentation.
	Fusible grillé.	Vérifiez votre disjoncteur.
	Robinet d'entrée de l'eau fermé.	Ouvrez le robinet d'alimentation en eau.
	La porte du lave-vaisselle est ouverte.	Fermez la porte du lave-vaisselle.
	Le tuyau d'entrée d'eau et les filtres de l'appareil sont bouchés.	Vérifiez le tuyau d'arrivée d'eau et les filtres de l'appareil et assurez-vous qu'ils ne sont pas bouchés.
L'eau reste à l'intérieur de l'appareil.	Le tuyau d'évacuation de l'eau est bouché ou tordu.	Vérifiez le tuyau de vidange, puis nettoyez-le ou dépliez-le.
	Les filtres sont encrassés.	Nettoyez les filtres.
	Le cycle n'est pas encore terminé.	Attendez la fin du cycle.
	Remarque : Il est normal qu'il reste un peu d'eau dans la machine sous les filtres.	
L'appareil s'arrête durant le lavage.	Panne de courant.	Vérifiez l'alimentation électrique.
	Panne d'alimentation en eau.	Vérifiez le robinet.
Si des bruits de secousses et de choc sont audibles durant l'opération de lavage.	Le bras de lavage touche la vaisselle dans le panier inférieur.	Déplacez ou retirez les objets qui bloquent le bras de lavage.
Des déchets alimentaires restent partiellement sur la vaisselle.	La vaisselle était mal placée, et l'eau pulvérisée n'a pas pu atteindre les plats concernés.	Ne surchargez pas le lave-vaisselle.
	Les plats s'appuient les uns contre les autres.	Placez les plats comme indiqué dans la section sur le chargement de votre lave-vaisselle.
	Pas assez de détergent utilisé.	Utilisez la bonne quantité de détergent, comme indiqué dans le tableau des cycles.
	Cycle de lavage sélectionné incorrect.	Utilisez les informations dans le tableau des cycles pour sélectionner le cycle le plus approprié.
	Bras de lavage encrassé de restes de nourriture.	Nettoyez les trous dans les bras de lavage avec des objets minces.
	Filtres ou pompe d'évacuation de l'eau encrassés, ou filtre mal placé.	Vérifiez que le tuyau de vidange et les filtres sont correctement installés.

DÉFAUT	CAUSE POSSIBLE	DÉPANNAGE
Des taches blanchâtres restent sur la vaisselle.	Pas assez de détergent utilisé.	Utilisez la bonne quantité de détergent, comme indiqué dans le tableau des cycles.
La vaisselle ne sèche pas.	L'option de séchage n'est pas sélectionnée.	Sélectionnez un cycle avec une option de rinçage.
	Le dosage du liquide de rinçage est trop faible.	Augmentez le réglage de dosage du liquide de rinçage.
Des taches de rouille se forment sur la vaisselle.	La qualité de l'acier inoxydable de la vaisselle n'est pas suffisante.	Utilisez uniquement des ustensiles qui passent au lave-vaisselle.
	Mauvaise mise à la terre de l'alimentation électrique.	Consultez immédiatement un électricien qualifié.
Du détergent reste dans le compartiment à détergent.	Du détergent a été ajouté lorsque le compartiment à détergent était mouillé.	Assurez-vous que le compartiment de détergent est sec avant utilisation.
	Les objets placés dans le lave-vaisselle peuvent empêcher l'ouverture du compartiment à détergent.	Assurez-vous que les objets placés dans le lave-vaisselle ne bloquent pas le compartiment à détergent.

AVERTISSEMENTS DE PANNE AUTOMATIQUES ET CE QU'IL FAUT FAIRE

CODE DE PANNE	PANNE POSSIBLE	QUE FAIRE
FF	Panne du système d'arrivée d'eau	Assurez-vous que le robinet d'arrivée d'eau est ouvert et que de l'eau coule.
		Séparez le tuyau d'alimentation du robinet et nettoyez le filtre du tuyau.
		Contactez le service après-vente si l'erreur persiste.
F5	Panne du système de pression	Contactez le service après-vente.
F3	Alimentation en eau continue	Fermez le robinet et contactez le service après-vente.
F2	Impossible d'évacuer l'eau	Le tuyau d'évacuation de l'eau et les filtres peuvent être bouchés.
		Annulez le cycle.
		Si l'erreur persiste, contactez le service après-vente.
F8	Erreur de chauffage	Contactez le service après-vente.
F1	Débordement	Débranchez l'appareil et fermez le robinet.
		Contactez le service après-vente.
F7	Surchauffe	Contactez le service après-vente.
F9	Erreur de position du diviseur	Contactez le service après-vente.
F6	Détecteur de température défectueux	Contactez le service après-vente.
HI	Erreur de tension élevée	Contactez le service après-vente.

10 INFORMATIONS PRATIQUES

1. Lorsque l'appareil n'est pas en fonctionnement :
 - Coupez l'alimentation électrique et fermez le robinet.
 - Laissez la porte légèrement ouverte pour éviter la formation d'odeurs.
2. Sélectionnez l'option de séchage pour éliminer les gouttelettes d'eau.
3. Placez correctement la vaisselle dans l'appareil pour obtenir les meilleures performances de consommation d'énergie, de lavage et de séchage. Consultez le tableau des cycles et consommations pour plus d'informations.
4. Rincez la vaisselle sale avant de la mettre au lave-vaisselle.
5. N'utilisez le cycle Rinçage qu'en cas de besoin.
6. Ne placez pas l'appareil à proximité d'un réfrigérateur, car il atteindrait des températures élevées.
7. Si l'appareil est situé dans une zone à risque de gel, fermez le robinet, débranchez le tuyau d'arrivée du robinet et vidangez complètement l'eau à l'intérieur du tuyau et de l'appareil.

Kenmore®

For Customer Care go to:

www.kenmore.com/contact-us/

to select your local area or retailer where this appliance was purchased for contact information on scheduling in-home repair service or ordering replacement parts.

Para el servicio de atención al cliente diríjase a:

www.kenmore.com/contact-us/

Aquí podrá seleccionar el área o el establecimiento local donde compró el electrodoméstico para obtener información de contacto y programar un servicio de reparación a domicilio o solicitar piezas de repuesto.

Pour l'assistance à la clientèle, visitez :

www.kenmore.com/contact-us/

et sélectionnez votre région ou le détaillant auprès duquel cet appareil a été acheté afin d'obtenir des informations sur la programmation d'un service de réparation à domicile ou la commande de pièces de rechange.

