

Use & Care Guide

Manual de Uso y Cuidado

Guide d'utilisation et d'entretien

Kenmore®

French door Refrigerator

Refrigerador de Dos Puertas

Réfrigérateur à portes françaises

#,* = color number, número de color, numéro de couleur

Models/Modelos/MODÈLES: 17.5 cf 897.7552# 20.3 cf 897.7551#

P/N BCD-513WI BCD-595WI
Transform SR Brands Management LLC
Hoffman Estates, IL, U.S.A. 60179 U.S.A.
www.kenmore.com



TABLE OF CONTENTS

Product Record	3	Care And Cleaning	25
Kenmore limited warranty	4	General Cleaning Tips	25
Important Safety Instructions	5	Outside	25
Electrical & Grounding Requirements	7	Inside Walls	25
Parts and Features	8	Door Liner And Gaskets.....	25
Refrigerator Installation	10-17	Plastic Parts.....	25
Unpacking the Refrigerator	10	Condenser Coils.....	25
Installation	11	LED Light Replacement	26
Removing/Replacing Your Refrigerator and Freezer Drawer Handles and doors	12	Power Interruptions	26
Leveling / Door Alignment	16	When You Go On Vacation.....	26
Water line connection	17	When You Move.....	26
Using Your Refrigerator	18	Connecting the Water Line	27
Setting the Controls	18	Troubleshooting Guide	30
Control Panel Features.....	18-20	Last page service contact	Back Cover
Automatic Icemaker.....	21-22		
Food Storage Guide	23		
Refrigerator/Freezer Door Bins	24		
Refrigerator Drawers and Cover	24		
Refrigerator/Freezer Shelves	24		

PRODUCT RECORD

In the space below, record the data of purchase, model and serial number of your product. You will find the model and serial number printed on an identification label located on the interior liner of the refrigerator compartment. Have these items of information available whenever you contact Sears concerning your product.

Model No. _____

Date of Purchase _____

Serial No. _____

Save these instructions and attach your sales receipt for future reference.

Kenmore Limited Warranty

Kenmore® products are sold and distributed by Kenmore and Kenmore authorized distributors and licensees in various countries.

For information on the limited warranty and authorized provider applicable to your product and country please visit: <https://www.kenmore.com/warranty-information/>

For a printed copy please contact us at 1-844-553-6667 or at the address below:

*ATTN: Kenmore Warranty Request
5407 Trillium Suite B120
Hoffman Estates, IL 60192*

IMPORTANT SAFETY INSTRUCTIONS

BASIC SAFETY PRECAUTIONS

This guide contains many important safety messages. Always **read and obey** all safety messages.



This is the safety alert symbol. It alerts you to safety messages that inform you of hazards that can kill or hurt you or others, or cause damage to the product.

All safety messages will be preceded by the safety alert symbol and the hazard signal word DANGER, WARNING or CAUTION. These words mean:

! DANGER

You **will** be killed or seriously injured if you do not follow instructions.

! WARNING

You **can** be killed or seriously injured if you do not follow instructions.

! CAUTION

Indicates an imminently hazardous situation which, if not avoided, **may** result in minor or moderate injury, or product damage.

All safety messages will identify the hazard, tell you how to reduce the chance of injury, and tell you what can happen if the instructions are not followed.

! WARNING

To reduce the risk of fire, electric shock, or personal injury when using your product, basic safety precautions should be followed, including the following.

Read all instructions before using this appliance.

- NEVER unplug your refrigerator by pulling on the power cord. Always grip the plug firmly and pull it straight out from the outlet.
- Immediately repair or replace all power cords that have become frayed or otherwise damaged. Do not use a cord that shows cracks or abrasion damage along its length or at either the plug or connector end.
- Do not modify or extend the power cord length. It could cause electric shock or fire.
- When moving your refrigerator away from the wall, be careful not to roll over or damage the power cord.
- The insulation in this unit contains cyclopentane or a pentane-like gas which is flammable and requires a special elimination process. Before discontinuing use of this refrigerator, contact local authorities to arrange for safe disposal of the unit.

- DO NOT store or use gasoline or other flammable vapors and liquids in the vicinity of this or any other appliance.
- DO NOT store explosive substances such as aerosol cans containing flammable propellants in this appliance.
- DO NOT allow children to climb, stand, or hang on the refrigerator doors or shelves in the refrigerator. They could damage the refrigerator and seriously injure themselves.
- Keep fingers out of pinch point areas; clearances between the doors and cabinets are necessarily small. Be careful closing doors when children are in the area.
- Unplug your refrigerator before cleaning or making any repairs.

NOTE: It is strongly recommended that any service be performed by a qualified technician.

SAVE THESE INSTRUCTIONS

⚠️ WARNING

- Before service is performed on the interior LED lighting, **unplug the refrigerator or turn off power at the circuit breaker or fuse box.**

NOTE: The refrigerator and freezer compartment lights are LED interior lighting, and service should be performed by a qualified technician.

⚠️ WARNING: Setting either or both controls to the OFF position does not remove power to the light circuit.

- **When you are finished,** reconnect the refrigerator to the electrical source and reset the controls (Thermostat, Refrigerator Control, and or Freezer Control, depending on the model) to the desired setting.
- This refrigerator must be properly installed in accordance with the **Attention Installer Instructions** that were taped to the front of the refrigerator.
- After your refrigerator is in operation, do not touch the cold surfaces in the freezer compartment when hands are damp or wet. Skin may adhere to the extremely cold surfaces.

- **WARNING:** Cancer risk from exposure to Di-iso-nonyl phthalate - www.P65Warnings.ca.gov.

- **DO NOT** touch the automatic ice making mechanism while the refrigerator is plugged in.
- **DO NOT** refreeze frozen foods which have thawed completely. The United States Department of Agriculture in Home and Garden Bulletin No. 69 says:

...You may safely refreeze frozen foods that have thawed if they still contain ice crystals or if they are still cold—below 39.2°F.

...Thawed ground meats, poultry or fish that have any off-odor or off-color should not be refrozen and should not be eaten. Thawed ice cream should be discarded. If the odor or color of any food is poor or questionable, dispose of it. The food may be dangerous to eat.

Even partial thawing and refreezing reduces the eating quality of foods, particularly fruits, vegetables and prepared foods. The eating quality of red meats is affected less than that of many other foods. Use refrozen foods as soon as possible to save as much of their quality as you can.

SAVE THESE INSTRUCTIONS

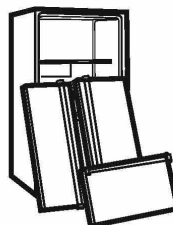
⚠️ CAUTION

This appliance is not intended for use by persons (including children) with reduced physical, sensory or mental capabilities, or lack of experience and knowledge, unless they have been given supervision or instruction concerning use of the appliance by a person responsible for their safety.

Children should be supervised to ensure that they do not play with the appliance.

⚠️ DANGER: RISK OF CHILD ENTRAPMENT

Junked or abandoned refrigerators are dangerous, even if they are sitting for only a few days. If you are getting rid of your old refrigerator, please follow the instructions at right to help prevent accidents (child entrapment and suffocation).



BEFORE YOU THROW AWAY YOUR OLD REFRIGERATOR OR FREEZER:

- Take off the doors.
- Leave the shelves in place so that children may not easily climb inside.

CFC/HCFC DISPOSAL

Your old refrigerator may have a cooling system that used CFCs or HCFCs (chlorofluorocarbons or hydrochlorofluorocarbons). CFCs and HCFCs are believed to harm stratospheric ozone if released to the atmosphere. Other refrigerants may also cause harm to the environment if released to the atmosphere.

If you are throwing away your old refrigerator, make sure the refrigerant is removed for proper disposal by a qualified technician. If you intentionally release refrigerant, you may be subject to fines and imprisonment under provisions of environmental legislation.

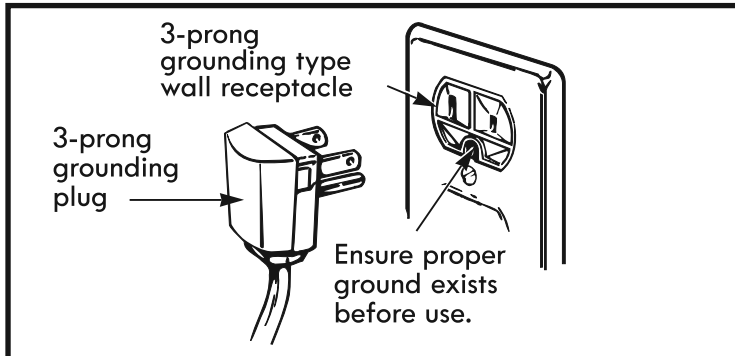
ELECTRICAL & GROUNDING REQUIREMENTS

IMPORTANT: Please read carefully. TO CONNECT ELECTRICITY

! WARNING

Electrical Shock Hazard

FOR PERSONAL SAFETY, this appliance must be properly grounded. Have the wall outlet and the circuit checked by a qualified electrician to make sure the outlet is properly grounded.



RECOMMENDED GROUNDING METHOD

The refrigerator should always be plugged into its own individual properly grounded electrical outlet rated for 115 Volts, 60 Hz, AC only, and fused at 15 amperes (minimum). This provides the best performance and also prevents overloading house wiring circuits which could cause a fire hazard from overheated wires. It is recommended that a separate circuit serving only this appliance be provided.

Use a receptacle that cannot be turned off with a switch or pull chain. Do not use an extension cord.

Where a standard two-prong wall outlet is encountered, it is your personal responsibility and obligation to have it replaced with a properly grounded three-prong wall outlet.

USE OF EXTENSION CORDS

! WARNING: Do not use extension cords or ungrounded (two-prong) adaptors. Because of potential safety hazards under certain conditions, the use of an extension cord is not recommended. However, if you still elect to use an extension cord, it is absolutely necessary that it be a UL-listed (USA), 3-wire grounding type appliance extension cord having a grounding type plug and outlet, and that the electrical rating of the cord be 15 amperes (minimum) and 120 volts.

Use of an extension cord will increase the clearance needed for the back of the refrigerator.

! CAUTION

- Do not bend the power cord excessively or place heavy articles on it.
- Connect the power plug in the proper position with the cord hanging down.
- When moving the refrigerator, be careful not to roll over or damage the power cord.
- If the power cord is damaged, have it replaced immediately by the manufacturer or its service agent.
- Do not insert the power plug with wet hands.
- Do not insert your hands into the area under the bottom of the appliance.
- Make sure that the power plug is not squashed or damaged by the back of the refrigerator.

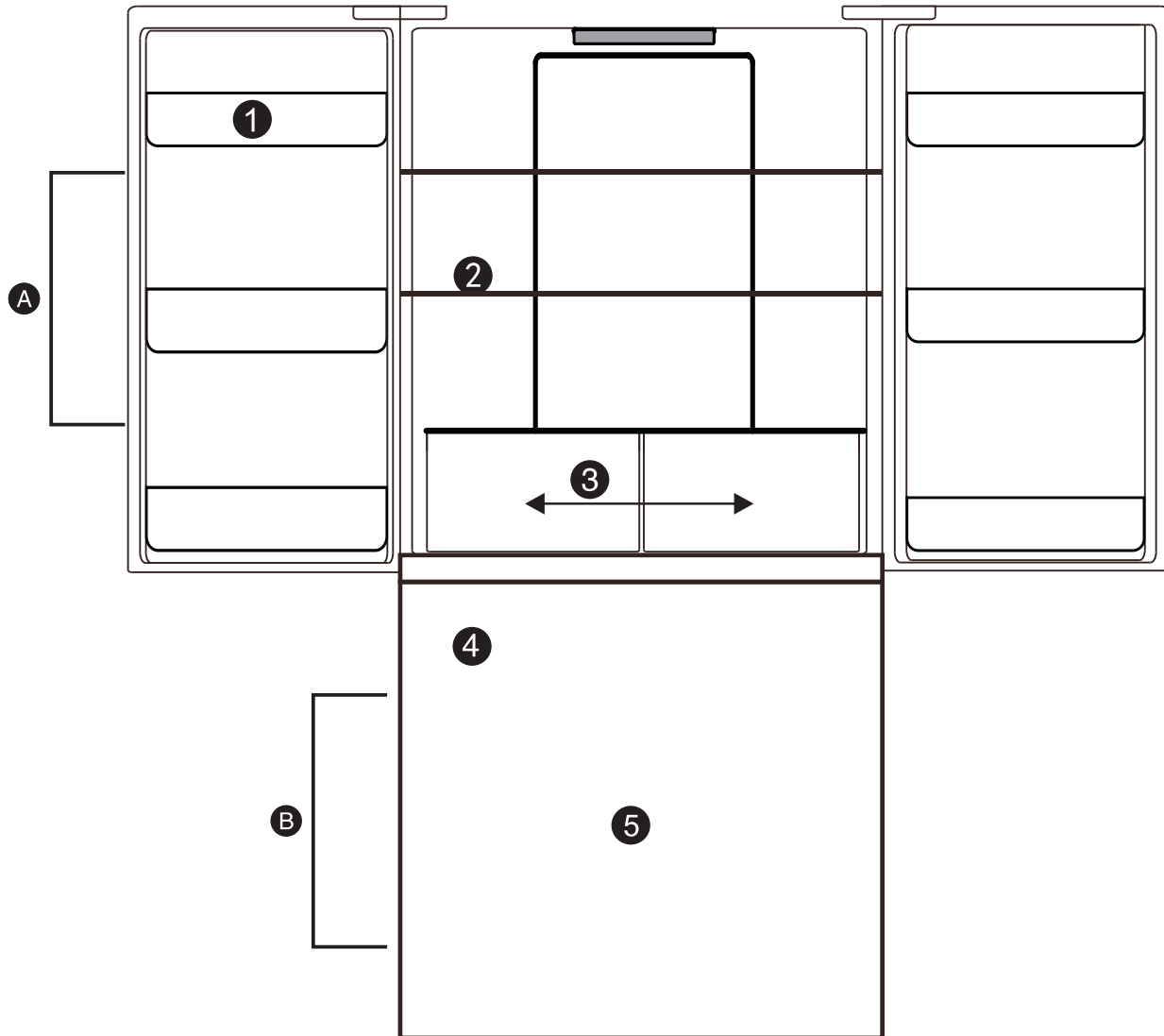
! WARNING

Replacing Electrical Cord

To avoid hazard, damaged power cords must be replaced by the manufacturer or its service agent or a similarly qualified technician. Do not operate the appliance with a damaged power cord.

PARTS AND FEATURES

Model: 17.5 cf 897.7552#



Use this page to become more familiar with the parts and features of the refrigerator.

NOTE: This guide covers several different models. The refrigerator you have purchased may have some or all of the items listed below. The locations of the features shown below may not match your model.

A Refrigerator compartment

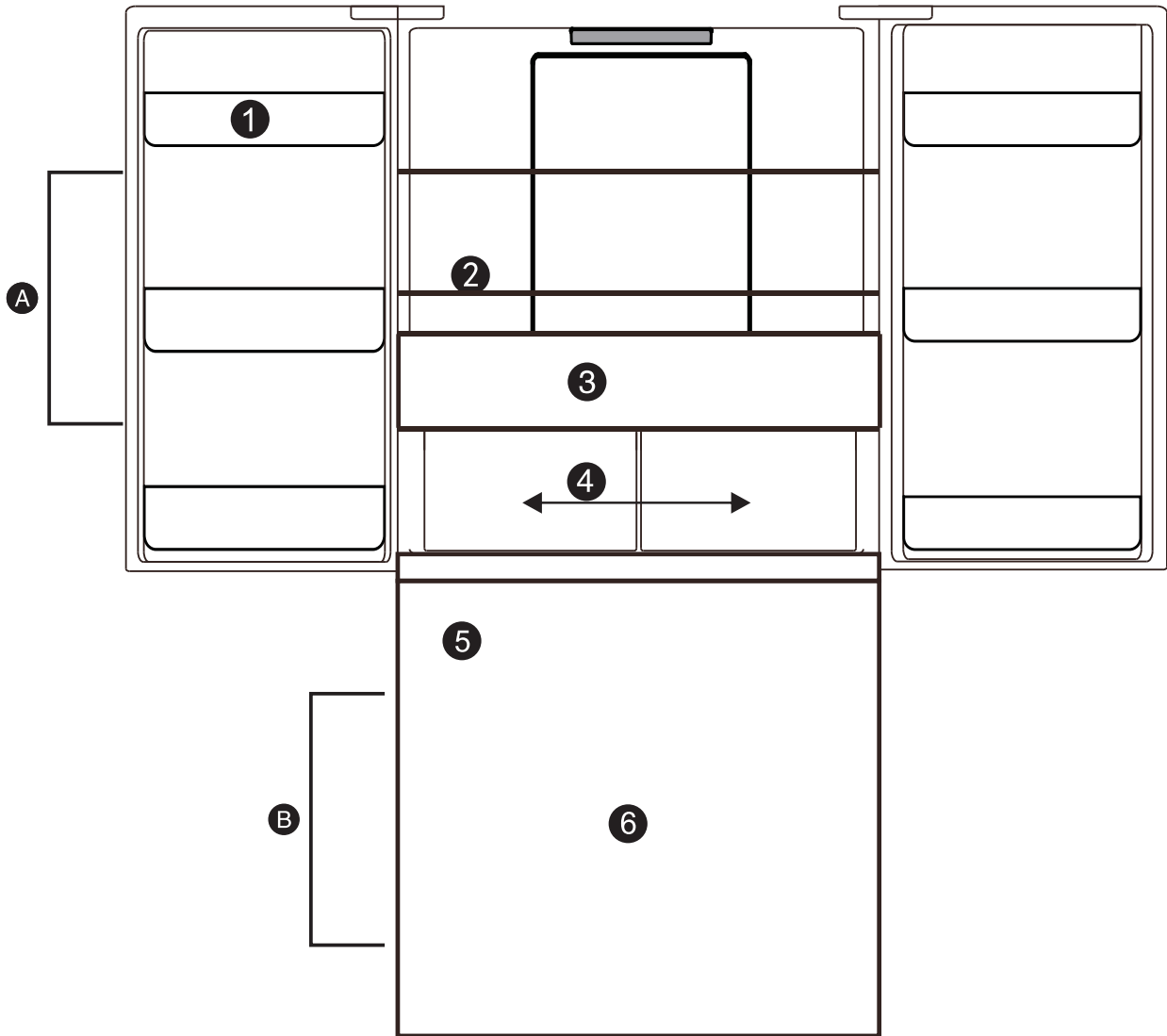
- 1 Refrigerator door Bins
- 2 Glass shelves
- 3 Crisper

B Freezer compartment

- 4 Ice maker(inside)
- 5 Freezer drawer

PARTS AND FEATURES

Model: 20.3 cf 897.7551#



Use this page to become more familiar with the parts and features of the refrigerator.

NOTE: This guide covers several different models. The refrigerator you have purchased may have some or all of the items listed below. The locations of the features shown below may not match your model.

A Refrigerator compartment

- 1 Refrigerator door Bins
- 2 Glass shelves
- 3 Full width crisper
- 4 Crisper

B Freezer compartment

- 5 Ice maker(inside)
- 6 Freezer drawer

REFRIGERATOR INSTALLATION

WARNING

Excessive Weight Hazard:

Use two or more people to move and install the refrigerator. Failure to do so can result in back or other injury.

UNPACKING THE REFRIGERATOR

Remove tape and any temporary labels from the refrigerator before using. Do not remove any warning labels, the model and serial number label, or the Tech Sheet that is located under the front of the refrigerator, behind the base grille.

To remove any remaining tape or glue, rub the area briskly with your thumb. Tape or glue residue can also be easily removed by rubbing a small amount of liquid dish soap over the adhesive with your fingers. Wipe with warm water and dry.

Do not use sharp instruments, rubbing alcohol, flammable fluids, or abrasive cleaners to remove tape or glue. These products can damage the surface of the refrigerator.

Refrigerator shelves are installed in the shipping position. Please reinstall shelves according to your individual storage needs.

NOTE:

This appliance is intended to be used in household and similar applications such as:

- staff kitchen areas in shops, offices and other working environments
- farm houses and by clients in hotels, motels and other residential environments
- bed and breakfast environments
- catering and similar non-retail applications.

This product is not to be used for special purposes such as the storage of medicine or test materials, or for use on ships, etc.

WARNING

Excessive Weight Hazard:

The refrigerator is heavy. When moving the refrigerator for cleaning or service, be sure to protect the floor. Always pull the refrigerator straight out when moving it. Do not wiggle or walk the refrigerator when trying to move it, as floor damage could occur.

WARNING

Explosion Hazard:

Keep flammable materials and vapors, such as gasoline, away from the refrigerator. Failure to do so can result in fire, explosion, or death.

⚠ WARNING

Be careful when you work with the hinge, stopper, etc. You may be injured.
To avoid risk of injury or electrical shock, do not put hands or metal objects into the air vents or bottom opening of the refrigerator.

⚠ WARNING

Shock Hazard:

To reduce the risk of electric shock, do not install the refrigerator in a wet or damp area.

INSTALLATION

The refrigerator should always be plugged into its own individual properly grounded electrical outlet rated for 115 Volts, 60 Hz, AC only, and fused at 15 amperes (minimum). This provides the best performance and also prevents overloading house wiring circuits which could cause a fire hazard from overheated wires. It is recommended that a separate circuit serving only this appliance be provided.

1. To avoid noise and vibration, the unit must be leveled and installed on a solidly constructed floor. If required, adjust the leveling legs to compensate for unevenness of the floor. The front should be slightly higher than the rear to aid in door closing. Leveling legs can be turned easily by tipping the cabinet slightly. Turn the leveling legs counterclockwise to raise the unit or clockwise to lower it. (See **LEVELING AND DOOR ALIGNMENT**.)

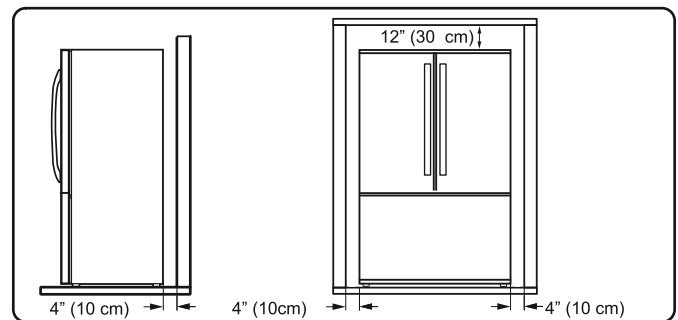
NOTE: Installing on carpeting, soft tile surfaces, a platform or weakly supported structure is not recommended.

2. Install this appliance in an area where the temperature is between 50°F(10°C) and 110°F(43°C). If the temperature around the appliance is too low or high, cooling ability may be adversely affected.

3. Select a place where a water supply can be easily connected for the automatic icemaker.

NOTE: The water pressure must be between 20 and 100 psi (138 - 689kPa) on models without a water filter and between 30 and 100 psi(207 - 689kPa) on models with a water filter.

4. Too small of a distance from adjacent items may result in lowered freezing capability and increased electricity consumption charges. Allow at least 15.7 inches (40 cm) in front of the refrigerator to open the doors.



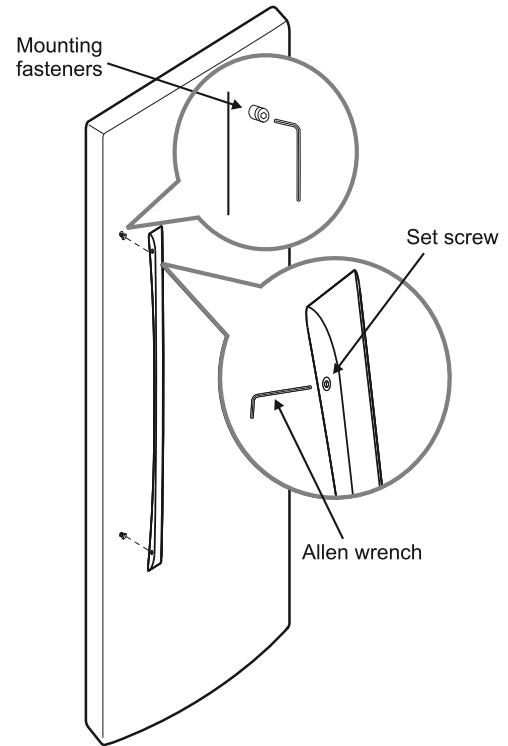
NOTE: Removing the doors is the recommended procedure when it is necessary to move the refrigerator through a narrow opening. If it is necessary to remove the handles, follow the directions below.

HOW TO REMOVE REFRIGERATOR DOOR HANDLE

NOTE: Handle appearance may vary from the illustrations on this page.

Removing Refrigerator Handle

Loosen the set screws with a $\frac{3}{32}$ in. (2.5 mm) Allen wrench and remove the handle.

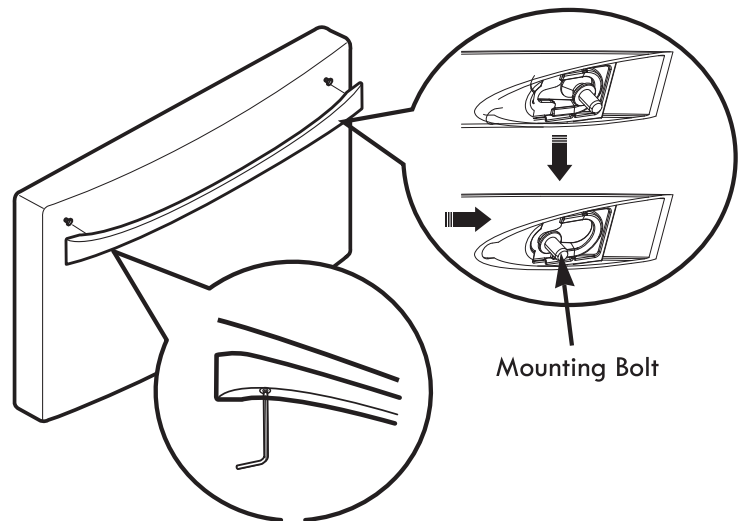


HOW TO REPLACE FREEZER DRAWER HANDLE

NOTE: Handle appearance may vary from the illustrations on this page.

Replacing Freezer Drawer Handle

Place the right end of the handle over the mounting bolt on the right side of the freezer drawer and carefully slide handle to the right until it stops. Lower the left end of the handle over the left side mounting bolt. Use a 2.5 mm hex key to tighten the set screw to secure the handle in place.



⚠ WARNING

When assembling or disassembling the handles:

- Grasp the handle firmly to ensure it will not drop or cause injury.
- Prevent the handle from swinging toward nearby people or animals.
- Insert the handle footprints over the door mounting fasteners and tighten the hex screws to fix the handle in place.
- Check for any gap between the door and handle after the handle is fixed in place.

REFRIGERATOR INSTALLATION

REMOVING AND REPLACING REFRIGERATOR DOORS

! WARNING

Excessive Weight Hazard:

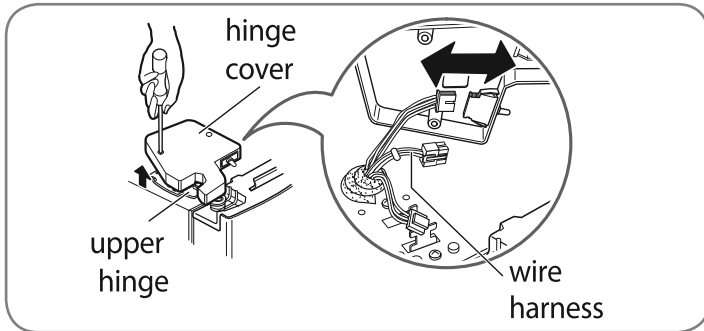
Use two or more people to remove and install the refrigerator doors. Failure to do so can result in back or other injury.

! WARNING

Electrical Shock Hazard

- Disconnect the electrical supply to the refrigerator before installing. Failure to do so could result in serious injury or death.
- Do not put hands, feet or other objects into the air vents or bottom of the refrigerator. You may be injured or receive an electrical shock.

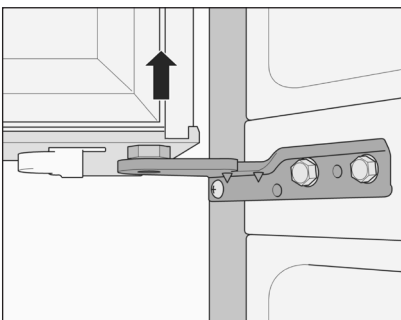
Removing the left /right (refrigerator) door



1. Open the door. Remove the top hinge cover screw.
2. Use a flat blade screwdriver to pry back the hooks (not shown) of the hinge cover from the top of the refrigerator cabinet. Lift up the cover.
3. Disconnect all the wire harnesses(left door).

! CAUTION: When lifting the hinge free of the latch, be careful that the door does not fall forward.

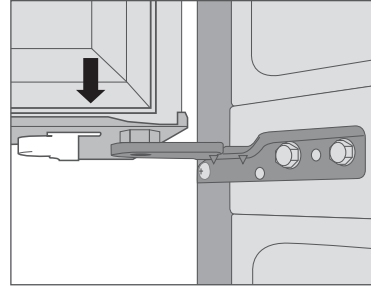
4. Lift the door from the middle hinge pin and remove the door. Place the door, inside facing up, on a non-scratch surface.



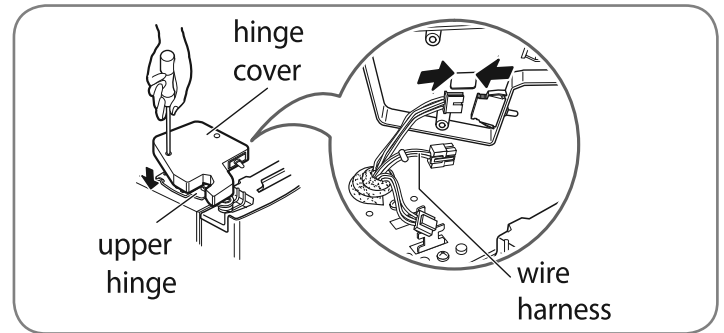
5. Repeat steps 1 through 4 for the removal of the right door.

REINSTALLING THE REFRIGERATOR DOORS

1. Place the door onto the middle hinge pin.



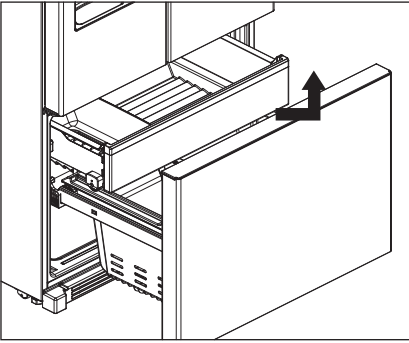
2. Reconnect all wire harnesses(right door). Position the cover into place. Insert and tighten the cover screw.



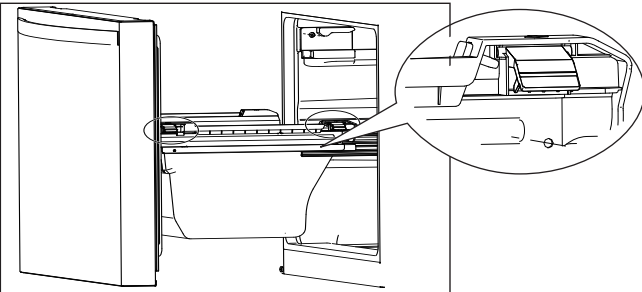
HOW TO REMOVE THE FREEZER DRAWER (Model: 17.5 cf 897.7552#)

⚠ WARNING: Use two or more people to remove and install the freezer drawer. Failure to do so can result in personal injury, product or property damage.

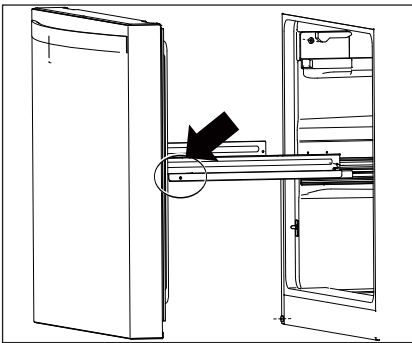
1. Take out the ice bin first, and then take out the upper freezer drawer by lifting it up.



2. There are a total of 4 clips in the drawer. 1 clip on the front and another in the rear in each of the sides. Unlatch all 4 clips open and take out the drawer freezer basket.



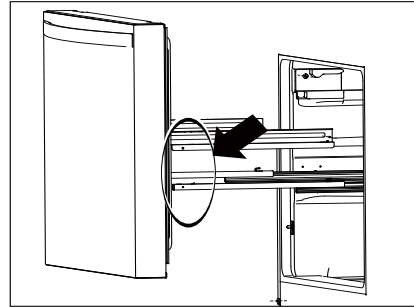
3. Using a "philips" screwdriver, unscrew the screws on both sides of the rail then can take off freezer door.



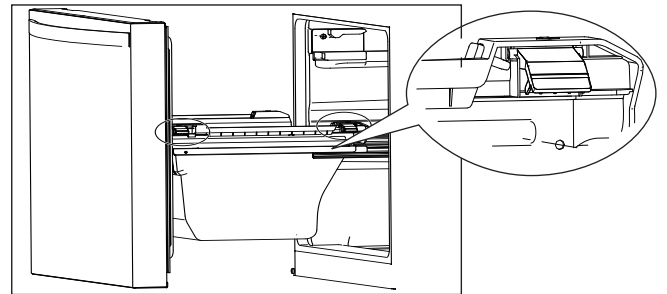
4. Pull exterior freezer drawer to fully disengage the rail assembly from the unit. Use 2 people for this task as the door is heavy and awkward to handle.

HOW TO INSTALL THE FREEZER DRAWER

1. Align the guide rails and tighten the screws.



2. Insert the freezer drawer basket in its position and press down the 2 clips on both sides to lock in place.



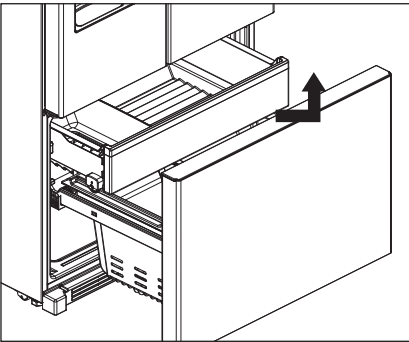
3. Insert the upper freezer drawer above the lower basket, open and close the freezer drawer several times to make sure operation is smooth and seal is consistent all the way around the freezer compartment.

⚠ CAUTION: Do not hold the handle when removing or replacing the drawer. The handle may come off and it could cause personal injury.

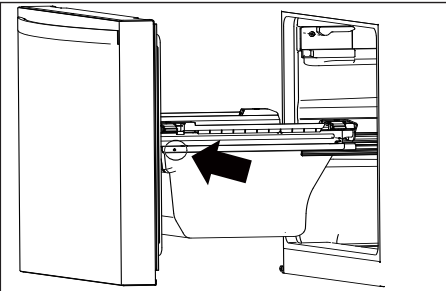
HOW TO REMOVE THE FREEZER DRAWER (Model: 20.3 cf 897.7551#)

⚠ WARNING: Use two or more people to remove and install the freezer drawer. Failure to do so can result in personal injury, product or property damage.

1. Take out the ice bin first, and then take out the upper freezer drawer by lifting it up.



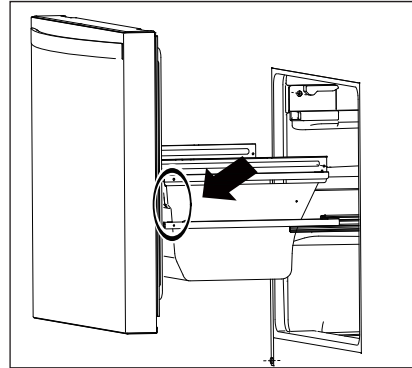
2. The lower freezer basket cannot be removed separately.
3. Using a screwdriver, unscrew the screws on both sides of the rail and remove the freezer door and lower drawer together;



4. Pull exterior freezer drawer to fully disengage the rail assembly from the unit. Use 2 people for this task as the door is heavy and awkward to handle.

HOW TO INSTALL THE FREEZER DRAWER

1. When installing, first place the lower drawer on the rail, then align and install the rail, and tighten the screws on both sides of the rail;



2. Insert the upper freezer drawer above the lower basket, open and close the freezer drawer several times to make sure operation is smooth and seal is consistent all the way around the freezer compartment.

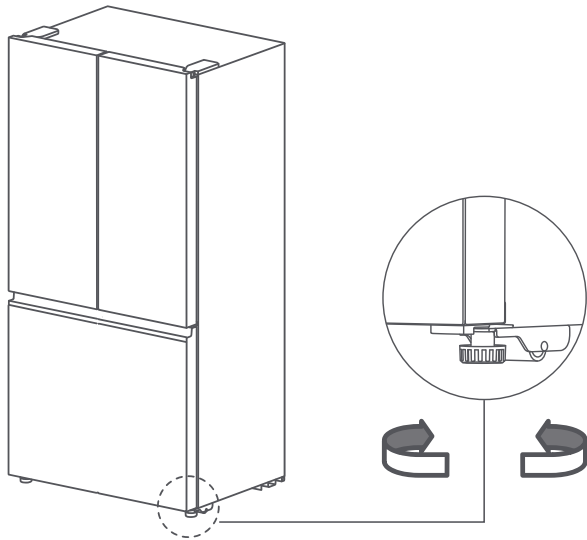
⚠ CAUTION: Do not hold the handle when removing or replacing the drawer. The handle may come off and it could cause personal injury.

LEVELING

After installing, plug the refrigerator's power cord into a 3-prong grounded outlet and push the refrigerator into the final position.

Your refrigerator has two front leveling legs—one on the right and one on the left. Adjust the legs to alter the tilt from front-to-back or side-to-side. If your refrigerator seems unsteady, or you want the doors to close more easily, adjust the refrigerator's tilt using the instructions below:

1. Turn the leveling leg counterclockwise to raise that side of the refrigerator or clockwise to lower it. It may take several turns of the leveling leg to adjust the tilt of the refrigerator.



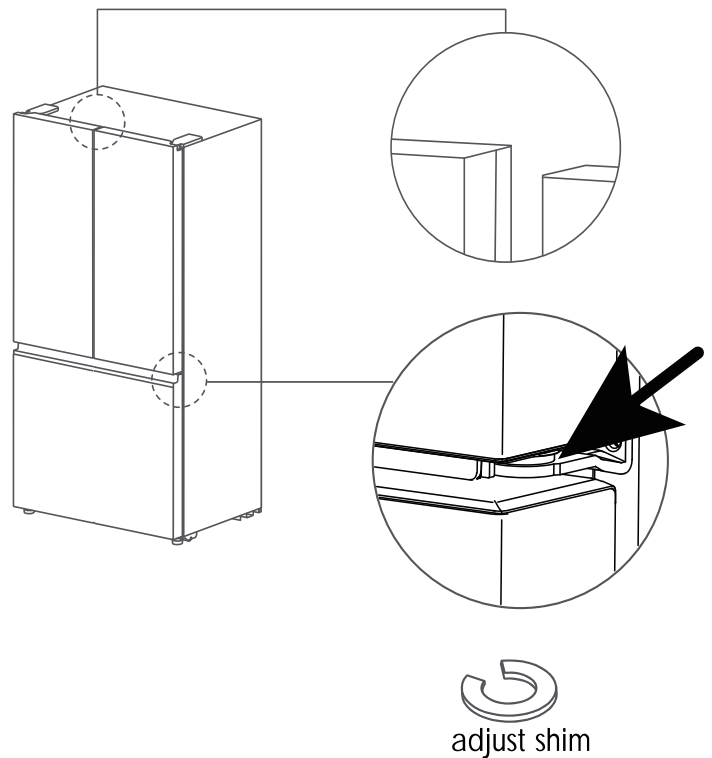
NOTE: Having someone push backward against the top of the refrigerator takes some weight off of the leveling legs. This makes it easier to adjust the legs.

2. Open both doors again and check to make sure that they close easily. If the doors do not close easily, tilt the refrigerator slightly more to the rear by turning both leveling legs counterclockwise. It may take several more turns, and you should turn both leveling legs the same amount.

DOOR ALIGNMENT

If the doors are still uneven after the refrigerator has been leveled, finish adjusting the doors by following the instructions below.

1. Take out the adjustable shim from the instruction bag.
2. Lift the lower door up slightly with hand.
3. Place the adjust shim between door and hinge with hand or pliers.



! WARNING

Excessive Weight Hazard:

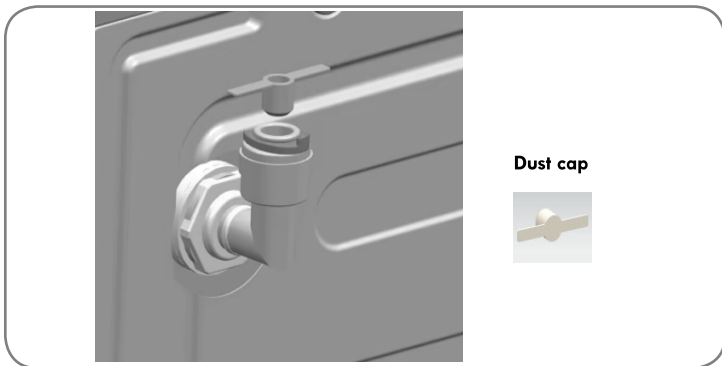
Use two or more people to remove and install the refrigerator doors. Failure to do so can result in back or other injury.

! WARNING

Electrical Shock Hazard

- Disconnect the electrical supply to the refrigerator before installing. Failure to do so could result in serious injury or death.
- Do not put hands, feet or other objects into the air vents or bottom of the refrigerator. You may be injured or receive an electrical shock.

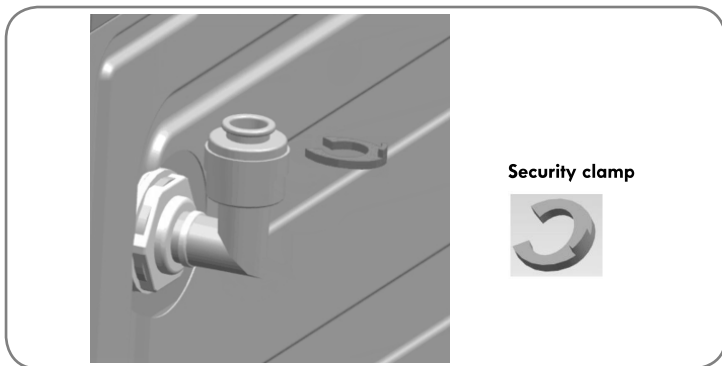
Water line connection



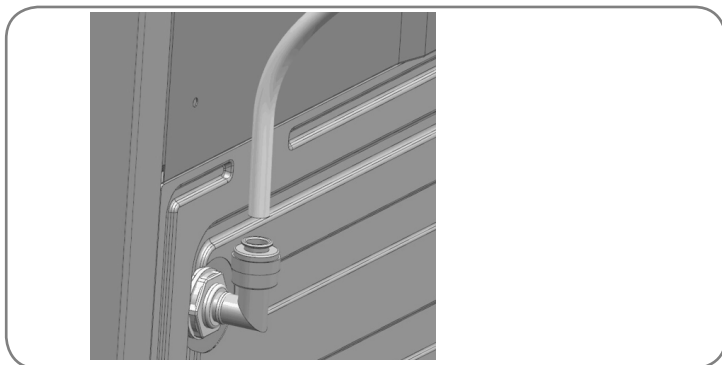
Step 1) Remove the dust cap.



Step 4) Install the security clamp.



Step 2) Remove the security clamp.



Step 3) Connect the PE soft tube.

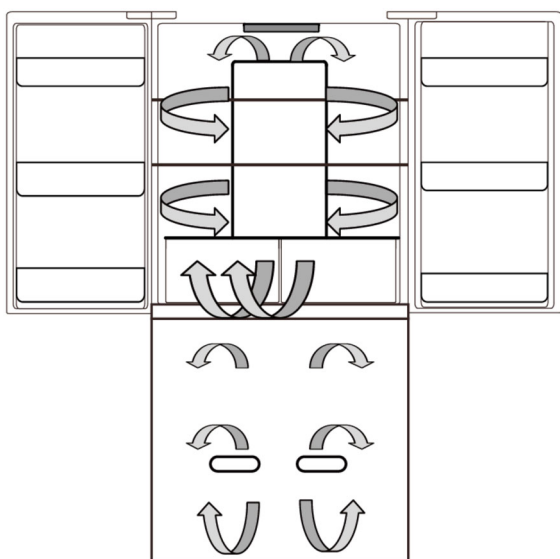
USING YOUR REFRIGERATOR

SETTING THE CONTROLS

The refrigerator control functions as the thermostat for the entire appliance (refrigerator and freezer sections). The colder the setting, the longer the compressor will run to keep the temperature colder. The freezer control adjusts the cold air flow from the freezer to the refrigerator. Setting the freezer control to a lower temperature keeps more cold air in the freezer compartment to make it colder.

AIRFLOW

Cold air circulates from the freezer to the fresh food section and back again through air vents in the wall dividing the two sections. Be sure not to block vents while loading your refrigerator. Doing so will restrict airflow and may cause the refrigerator temperature to become too warm or cause interior moisture buildup. (See airflow diagram below.)



IMPORTANT:

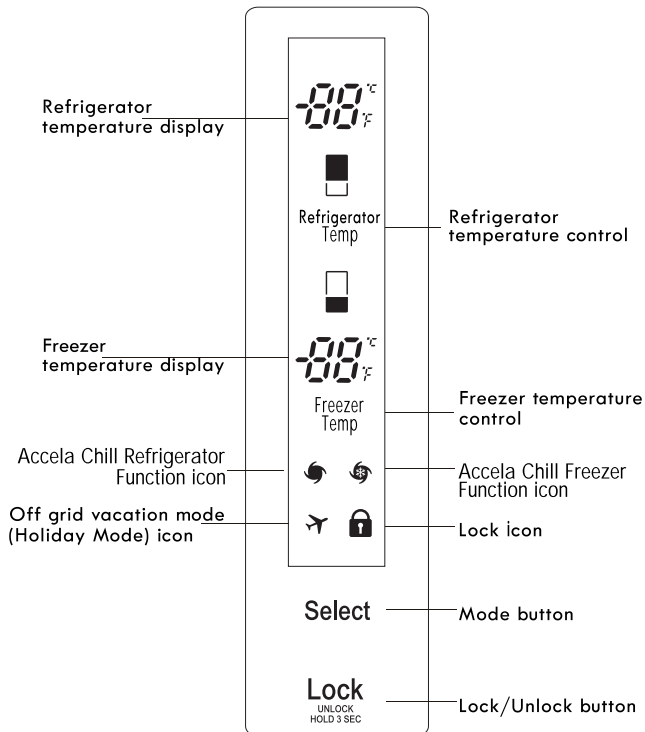
Because air circulates between both sections, any odors formed in one section will transfer to the other. You must thoroughly clean both sections to eliminate odors. To prevent odor transfer and dried out food, wrap or cover foods tightly. (See the Food Storage Guide section for details.)

NOTE: If you close the refrigerator door, you may see the freezer door open and close again due to pressure from internal airflow.

PRIOR TO USE

1. Clean your refrigerator thoroughly and wipe off dust accumulated during shipping.
2. Install accessories such as ice cube bin, drawers, shelves, etc., in their proper places. They are packed together to prevent possible damage during shipment.
3. Let your refrigerator run for at least 2 or 3 hours before putting food in it. Check the flow of cold air in the freezer compartment to ensure proper cooling. Your refrigerator is now ready for use.

CONTROL PANEL FEATURES



Your unit has one control for regulating the temperature. The temperature control is located on the side of the refrigerator compartment door.

The default temperature is displayed in Fahrenheit when the unit is first powered on. Press and hold the "Select" button 5 seconds, to switch between °C and °F. Other buttons use the same method to switch between two modes.

Set temperature range: Celsius degree mode

1. Fridge temperature range: 0~6°C (Default value 3°C)
2. Freezer temperature range: -23~-15°C (Default value -19°C)

Set temperature range: Fahrenheit degree mode

1. Fridge temperature range: 32~43°F (Default value 38°F)
2. Freezer temperature range: -10~5°F (Default value -2°F)

The first time you turn the unit on, the unit will start at the factory-set default temperature, which is 38°F or 3°C in the refrigerator compartment and -2°F or -19°C in the freezer compartment.

The first time you turn the unit on, adjust the temperature in the refrigerator compartment to 34°F and run for at least 4 hours before placing food inside. This will ensure that the freezer compartment is thoroughly chilled and the refrigerator compartment is stabilized before food is placed inside. Then adjust the temperature setting to your desired setting.

To adjust the temperature in each zone, press the appropriate zone button, and the selected zone will flash on and off. The temperature will change according to the pre-set temperatures as shown below. You will hear a bell chime with each press of the control panel buttons.

Lock Mode

The CONTROL PANEL LOCK is designed to prevent any changes to the settings to the refrigerator.

To enable the LOCK, press the LOCK button, the LOCK icon will turn on.

The control panel will be locked until unlocked at the control panel or there is a loss of power.

To disable the LOCK, press and hold the lock button for approximately 3 seconds until the LOCK icon turns off and the control panel is working in normal operation mode.

Standby Mode

The CONTROL PANEL will go dark after approximately 20 seconds if no input has been made.

To reactivate the display, simply press any of the buttons on the control panel.

Accela Chill Freezer Function

This mode will set the freezer temperature to -10°F or -23°C for a quick drop in temperature when storing large amounts of warm or room-temperature foods in the freezer. The unit will remain in Accela Chill Freezer Function for 24 hours or until the temperature reaches -10°F or -23°C and will then return to the original setting, or until the function is turned off at the control panel. Accela Chill Refrigerator and Accela Chill Freezer can be run simultaneously.

To enable the Accela Chill Freezer Function, press the feature button until the Accela Chill Freezer icon is illuminated. The icon will remain illuminated when activated.

To disable the Accela Chill Freezer Function, press the function button until the Accela Chill Freezer icon is turned off.

Accela Chill Refrigerator Function

This mode will set the refrigerator temperature to 32°F or 0°C for quick drop in temperature when storing large amounts of warm or room temperature foods in the refrigerator. The unit will remain in Accela Chill Refrigerator Function for 2 hours and 30 minutes or until the temperature reaches 32°F or 0°C and will then return to the original setting, or until the function is turned off at the control panel.

Both Accela Chill Refrigerator and Accela Chill Freezer can be run together at the same time.

To enable the Accela Chill Refrigerator Function, press the feature button until the Accela Chill Refrigerator icon is illuminated.

The icon will remain illuminated when activated.

To disable the Accela Chill Refrigerator Function, press the function button until the Accela Chill Refrigerator icon is turned off.

Holiday Mode

Use this mode when leaving for long periods of time, where you will remove the large majority of the refrigerator contents but leave contents in the freezer. Vacation mode will automatically set the refrigerator section to 43°F or 6°C and the freezer section to 5°F or -15°C. The unit will remain in HOLIDAY MODE until the feature is deactivated at the control panel. To enable HOLIDAY mode, press the feature button until the HOLIDAY mode icon is illuminated. The icon will remain illuminated when activated. To disable HOLIDAY mode, press the function button until the HOLIDAY mode icon is turned off.

Door Alarm

When power is connected to the refrigerator, the door alarm is activated.

When either the refrigerator or the freezer door is left open for more than 60 seconds, the alarm tone will sound to let you know that the door is open.

When you close the door, the door alarm will stop.

Sabbath Mode

1. How to enter Sabbath mode:

when the freezer is open, press and hold the "Refrigerator Temp" button + the "Lock" button for 10 seconds;

2. In Sabbath mode:

- a. There is no door opening alarm;
- b. The LED lights in both refrigerator and freezer compartment are off;
- c. The display panel does not display unless it is adjusted manually ;
- d. The refrigerator meets the normal refrigeration demand;

3. How to exit Sabbath mode:

- a. When the freezer is open, press and hold the Refrigerator Temp button + the Lock button for 10 seconds to exit manually;
- b. When the working period of Sabbath mode exceeds 80 hours, it will automatically exit.

*In Sabbath mode, it will still display and emit light after touching the panel, but it will turn off after waiting for 20 seconds without operation or after opening and closing the door once.

Adjusting Control Settings

Give the refrigerator time to cool down completely before making final adjustments. It is best to wait 24 hours to let the normal settings (recommended in the Temperature section) stabilize before making any changes. If you need to adjust the temperature in the refrigerator or freezer, start by adjusting the refrigerator temperature and allow 24 hours for the temperature to stabilize again. If it is still too warm or too cold, then adjust the freezer control.

Use the settings listed in the chart below as a guide. Always remember to wait at least 24 hours between adjustments.

CONDITION/REASON	RECOMMENDED ADJUSTMENT
<p>REFRIGERATOR section too warm.</p> <ul style="list-style-type: none"> • Door opened often. • Large amount of food added. • Room temperature very warm. 	<ul style="list-style-type: none"> • Set the REFRIGERATOR control one degree colder; wait 24 hours for the new setting to take full effect before making another adjustment.
<p>FREEZER section too warm/ice not made fast enough.</p> <ul style="list-style-type: none"> • Door opened often. • Large amount of food added. • Very cold (50°F (10°C)) room temperature. (Compressor does not cycle often enough.) • Heavy ice usage. • Air vents blocked by items. 	<ul style="list-style-type: none"> • Set the FREEZER control one degree colder; wait 24 hours for the new setting to take full effect before making another adjustment. • Move items out of air stream.
<p>REFRIGERATOR section too cold.</p> <ul style="list-style-type: none"> • Controls not set correctly for your conditions. 	<ul style="list-style-type: none"> • Set the REFRIGERATOR control one degree warmer; wait 24 hours for the new setting to take full effect before making another adjustment.
<p>FREEZER section too cold.</p> <ul style="list-style-type: none"> • Controls not set correctly for your conditions. 	<ul style="list-style-type: none"> • Set the FREEZER control one degree warmer; wait 24 hours for the new setting to take full effect before making another adjustment.

AUTOMATIC ICEMAKER

Ice is made in the automatic icemaker and sent to the dispenser. The icemaker will produce 10 cubes per cycle — approximately 70-120 cubes in a 24-hour period, depending on freezer compartment temperature, room temperature, number of door openings and other operating conditions.

- It takes about 12 to 24 hours for a newly installed refrigerator to begin making ice. Wait 72 hours for full ice production to occur.
- Ice making stops when the in-door ice bin is full. When full, the in-door ice bin holds approximately 3.9lbs of ice.
- To turn off the automatic icemaker, just put the shut-off arm up, then will closed ice function.
- The water pressure must be between 20.3 and 100 psi (140 to 690 kPa) on models without a water filter and between 20.3 and 100 psi (140-690kPa) on models with a water filter to produce the normal amount and size of ice cubes.

WHEN YOU SHOULD TURN THE ICEMAKER OFF

- When the water supply will be shut off for several hours.
- When the ice bin is removed for more than one or two minutes.
- When the refrigerator will not be used for several days.

NOTE: The ice bin should be emptied when the Ice Maker Feeler Arm is set to OFF position.

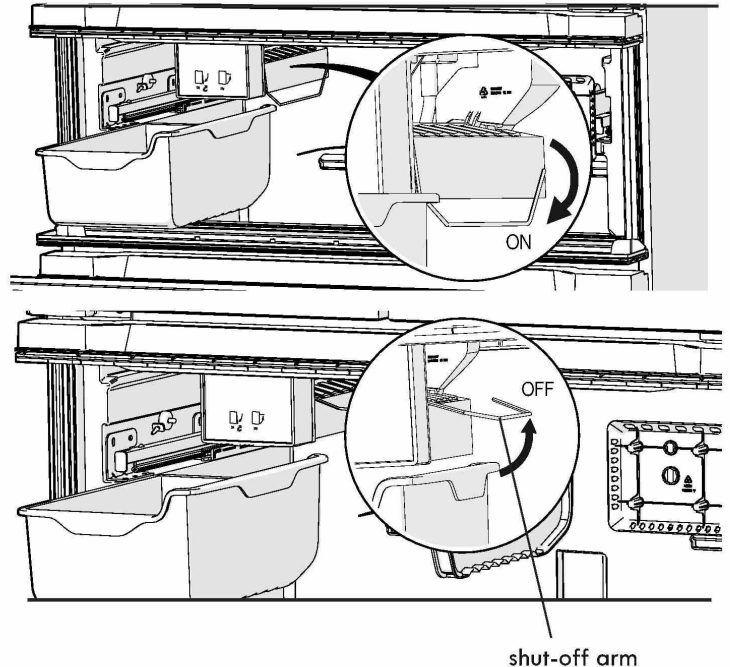
NORMAL SOUNDS YOU MAY HEAR

- The icemaker water valve will buzz as the icemaker fills with water. If the icemaker is on, it will buzz even if it has not yet been hooked up to water. To stop the buzzing, turn off the icemaker.
NOTE: Keeping the icemaker on before the water line is connected can damage the icemaker.
- You will hear the sound of cubes dropping into the bin and water running in the pipes as the icemaker refills.

! WARNING

Personal Injury Hazard

Avoid contact with the moving parts of the ejector mechanism, or the heating element that releases the cubes. **DO NOT** place fingers or hands on the automatic ice making mechanism while the refrigerator is plugged in.



! WARNING: Connect to a potable water supply only.

PREPARING FOR VACATION

Set the Ice Maker feeler arm to **OFF** and shut off the water supply to the refrigerator.

NOTE: The ice bin should be emptied any time the Ice Maker feeler arm is set to **OFF**.

If the ambient temperature will drop below freezing, have a qualified technician drain the water supply system to prevent serious property damage due to flooding caused by ruptured water lines or connections.

AUTOMATIC ICEMAKER (continued)**⚠ CAUTION**

- The first ice and water dispensed may include particles or odor from the water supply line or the water tank.
- Throw away the first few batches of ice (about 24 cubes). This is also necessary if the refrigerator has not been used for a long time.
- Never store beverage cans or other items in the ice bin for the purpose of rapid cooling. Doing so may damage the icemaker or the containers may burst.
- If discolored ice is dispensed, check the water filter and water supply. If the problem continues, contact a Sears or other qualified service center. Do not use the ice or water until the problem is corrected.
- Keep children away from the dispenser. Children may play with or damage the controls.
- The ice passage may become blocked with frost if only crushed ice is used. Remove the frost that accumulates by removing the ice bin and clearing the passage with a rubber spatula. Dispensing cubed ice can also help prevent frost buildup.
- Never use thin crystal glass or crockery to collect ice. Such containers may chip or break resulting in glass fragments in the ice.
- Dispense ice into a glass before filling it with water or other beverages. Splashing may occur if ice is dispensed into a glass that already contains liquid.
- Never use a glass that is exceptionally narrow or deep. Ice may jam in the ice passage and refrigerator performance may be affected.
- Keep the glass at a proper distance from the ice outlet. A glass held too close to the outlet may prevent ice from dispensing.
- To avoid personal injury, keep hands out of the ice door and passage.
- Never remove the dispenser cover.
- If ice unexpectedly, turn off the water supply and for customer care go to: www.kenmore.com/contact-us/.

FOOD STORAGE GUIDE

Wrap or store food in the refrigerator in airtight and moisture-proof material unless otherwise noted. This prevents food odor and taste transfer throughout the refrigerator. For dated products, check date code to ensure freshness.

Items	How to
Butter or margarine	▶ Keep opened butter in a covered dish or closed compartment. When storing an extra supply, wrap in freezer packaging and freeze.
Cheese	▶ Store in the original wrapping until you are ready to use it. Once opened, rewrap tightly in plastic wrap or aluminum foil.
Milk	▶ Wipe milk cartons. For best storage, place milk on interior shelf, not on door shelf.
Eggs	▶ Store in original carton on interior shelf, not in door bin.
Fruit	▶ Wash, let dry, and store in refrigerator in plastic bags or in a drawer. Do not wash or hull fruit until you are ready to use it. Sort and keep fruit in its original container, in a refrigerator drawer, or store in a completely closed paper bag on a refrigerator shelf.
Leafy vegetables	▶ Remove store wrapping and trim or tear off bruised and discolored areas. Wash in cold water and drain. Place in plastic bag or plastic container and store in refrigerator drawer.
Vegetables with skins (carrots, peppers)	▶ Place in plastic bags or plastic container and store in drawer.
Fish	▶ Use fresh fish and shellfish the same day purchased.
Leftovers	▶ Cover leftovers with plastic wrap or aluminum foil, or store in plastic containers with tight lids.
Ice Cream	▶ When storing frozen food like ice cream for a long period, place it on the freezer shelf, not in the door bins.

STORING FROZEN FOOD

NOTE: Check a freezer guide or a reliable cookbook for further information about preparing food for freezing or food storage times.

Freezing

Your freezer will not quick-freeze a large quantity of food. Do not put more unfrozen food into the freezer than will freeze within 24 hours (no more than 2 to 3 lbs. of food per cubic foot of freezer space). Leave enough space in the freezer for air to circulate around packages. Be careful to leave enough room at the front so the door can close tightly.

Storage times will vary according to the quality and type of food, the type of packaging or wrap used (how airtight and moisture-proof) and the storage temperature. Ice crystals inside a sealed package are normal. This simply means that moisture in the food and air inside the package have condensed, creating ice crystals.

NOTE: Allow hot foods to cool at room temperature for 30 minutes, then package and freeze. Cooling hot foods before freezing saves energy.

Packaging

Successful freezing depends on correct packaging. When you close and seal the package, it must not allow air or moisture in or out. If it does, you could have food odor and taste transfer throughout the refrigerator and could also dry out frozen food.

Packaging recommendations:

- Rigid plastic containers with tight-fitting lids
- Straight-sided canning/freezing jars
- Heavy-duty aluminum foil
- Plastic-coated paper
- Non-permeable plastic wraps
- Specified freezer-grade self-sealing plastic bags

Follow package or container instructions for proper freezing methods.

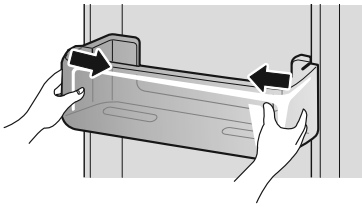
Do not use

- Bread wrappers
- Non-polyethylene plastic containers
- Containers without tight lids
- Wax paper or wax-coated freezer wrap
- Thin, semi-permeable wrap

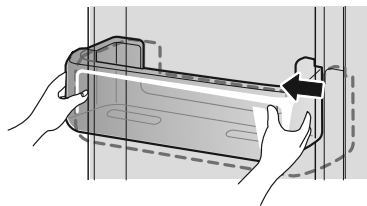
⚠ CAUTION: Do not keep beverage cans or plastic food containers in the freezer compartment. They may break or burst if they freeze.

REFRIGERATOR/FREEZER DOOR BINS

The refrigerator and freezer feature bins which can easily be arranged to store packaged products.



To remove, holding both sides, lift the door bin and pull it out.



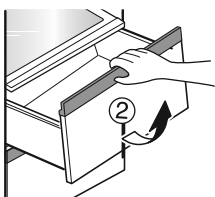
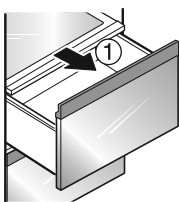
To replace the bin, slide it in above the desired support and push down one side at a time until it snaps into place.

REFRIGERATOR DRAWERS AND COVER

The refrigerator drawers allow for better conservation of fruits and vegetables.

To remove the refrigerator drawers—pull out the drawer to full extension ①, lift the front up ②, and pull straight out.

To install—slightly tilt up the front, insert the drawer into the frame and push it back into place.



REFRIGERATOR/FREEZER SHELVES

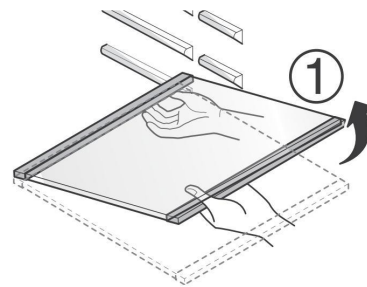
The shelves in your refrigerator and freezer are adjustable to meet your individual storage needs.

Adjusting the shelves to fit items of different heights will make finding the exact item you want easier. Doing so will also reduce the amount of time the refrigerator doors are open which will save energy.

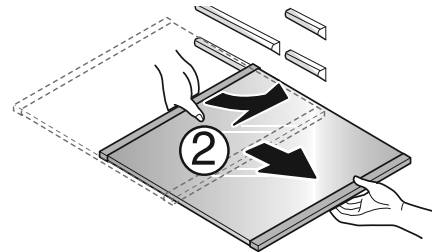
IMPORTANT: Do not clean glass shelves with warm water while they are cold. Shelves may break if exposed to sudden temperature changes or impact.

NOTE: Glass shelves are heavy. Use special care when removing them.

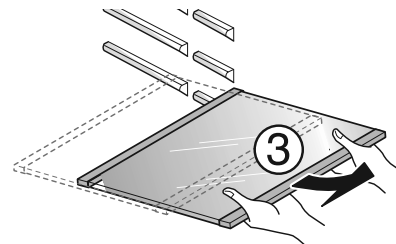
Detaching the shelf



Hold the front side with one hand and the back side with the other hand, and lift it up gently.



Pull the shelf forward about halfway, keeping the front of the shelf slightly lifted.



Holding the shelf with both hands, tilt the shelf and pull it out.

Assembling the shelf

Tilt the front of the shelf up and guide the shelf into the slots at a desired height. Slide the shelf in then lower the front of the shelf.

⚠ CAUTION: Make sure that shelves are level from one side to the other. Failure to do so may result in the shelf falling or spilling food.

CARE AND CLEANING

! WARNING



Explosion Hazard

Use non-flammable cleaner. Failure to do so can result in fire, explosion, or death.

Both the refrigerator and freezer sections defrost automatically; however, clean both sections about once a month to prevent odors. Wipe up spills immediately.

GENERAL CLEANING TIPS

- Unplug refrigerator or disconnect power.
- Remove all removable parts, such as shelves, crispers, etc. Refer to sections in *Using Your Refrigerator* for removal instructions.
- Use a clean sponge or soft cloth and a mild detergent in warm water. Do not use abrasive or harsh cleaners.
- Hand wash, rinse and dry all surfaces thoroughly.
- Plug in refrigerator or reconnect power.

OUTSIDE

Waxing external painted metal surfaces helps provide rust protection. Do not wax plastic parts. Wax painted metal surfaces at least twice a year using appliance wax (or auto paste wax). Apply wax with a clean, soft cloth.

For products with a stainless steel exterior, use a clean sponge or soft cloth and a mild detergent in warm water. Do not use abrasive or harsh cleaners. Dry thoroughly with a soft cloth.

INSIDE WALLS (allow freezer to warm up so the cloth will not stick)

To help remove odors, you can wash the inside of the refrigerator with a mixture of baking soda and warm water. Mix 2 tablespoons of baking soda to 1 quart of water (26 g soda to 1 liter water.) Be sure the baking soda is completely dissolved so it does not scratch the surfaces of the refrigerator.

! CAUTION: While cleaning the inside, do not spray water.

DOOR LINERS AND GASKETS

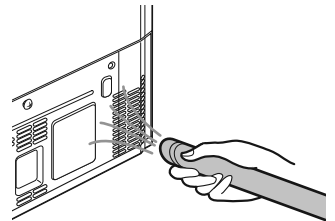
Use a clean sponge or soft cloth and a mild detergent in warm water. Do not use cleaning waxes, concentrated detergents, bleaches, or cleaners containing petroleum on plastic refrigerator parts.

PLASTIC PARTS (Covers and Panels)

Use a clean sponge or soft cloth and a mild detergent in warm water. Do not use window sprays, abrasive cleansers, or flammable fluids. These can scratch or damage the material.

CONDENSER COILS

Use a vacuum cleaner with an attachment to clean the condenser cover and vents. Do not remove the panel covering the condenser coil area.



LED LIGHT REPLACEMENT**⚠ WARNING****Electrical Shock Hazard**

Before service is performed on the interior LED lighting, unplug the refrigerator or turn off power at the circuit breaker or fuse box.

Setting either or both controls to the OFF position does not remove power to the light circuit.

NOTE: The refrigerator and freezer compartment lights are LED interior lighting, and service should be performed by a qualified technician.

POWER INTERRUPTIONS

1. If the power will be out for 24 hours or less, keep all refrigerator doors closed to help foods stay cold and frozen.
2. If the power will be out for more than 24 hours, remove all frozen food and store it in a frozen food locker.

WHEN YOU GO ON VACATION

If you choose to leave the refrigerator on while you are away, follow these steps to prepare your refrigerator before you leave.

1. Use up any perishables and freeze other items.
2. Turn off the icemaker and empty the ice bin.

If you choose to turn the refrigerator off before you leave, follow these steps.

1. Remove all food from the refrigerator.
2. Depending on your model, set the thermostat control (refrigerator control) to OFF. See the **SETTING THE CONTROLS** section.
3. Clean the refrigerator, wipe it and dry well.
4. Tape rubber or wood blocks to the tops of both doors to prop them open far enough for air to get in. This stops odor and mold from building up.

WHEN YOU MOVE

When you are moving your refrigerator to a new home, follow these steps to prepare it for the move.

1. Remove all food from the refrigerator and freezer, and remove all ice.
Turn off water supply and disconnect water tube from refrigerator.
Ensure the water supply is completely shut off by confirming no water flow.
2. Unplug the refrigerator.
3. Clean, wipe and dry thoroughly.
4. Take out all removable parts, wrap them well and tape them together so they do not shift and rattle during the move. Refer to the **USING YOUR REFRIGERATOR** section for removal instructions.
5. Depending on the model, raise the front of the refrigerator so it rolls more easily OR screw in the leveling legs all the way so they do not scrape the floor. See the **DOOR ALIGNMENT** section.
6. Tape the doors shut and tape the power cord to the refrigerator cabinet.

When you get to your new home, put everything back and refer to the **REFRIGERATOR INSTALLATION** section for preparation instructions.

CONNECTING THE WATER LINE

BEFORE YOU BEGIN

This water line installation is not covered by the refrigerator warranty. Follow these instructions carefully to minimize the risk of expensive water damage.

Water hammer (water banging in the pipes) in house plumbing can cause damage to refrigerator parts and can lead to water leakage or flooding. Call a qualified plumber to correct water hammer before installing the water supply line to the refrigerator.

⚠ CAUTION: To prevent burns and product damage, only connect the refrigerator water line to a cold water supply. Connect to a potable water supply only.

If you use your refrigerator before connecting the water line, make sure the Ice Maker button is set to **OFF**.

Do not install the icemaker tubing in areas where temperatures fall below freezing.

WATER PRESSURE

Connect to the cold water supply. The water pressure must be between 20 and 100 psi (138 to 689 kPa) on models without a water filter and between 30 and 100 psi (207 to 689 kPa) on models with a water filter.

If a **reverse osmosis water filtration system** is connected to your cold water supply, this water line installation is not covered by the refrigerator warranty. Follow the following instructions carefully to minimize the risk of expensive water damage.

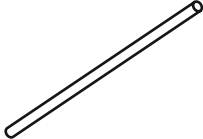
If a **reverse osmosis water filtration system** is connected to your cold water supply, the water pressure to the reverse osmosis system needs to be a minimum of 40 to 60 psi (2.8 kgf/cm² ~ 4.2 kgf/cm², less than 2.0~3.0 sec. to fill a cup of 7 oz capacity).

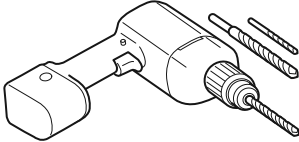
If the water pressure from the reverse osmosis system is less than 21 psi or 1.5 kgf/cm² (takes more than 4.0 sec to fill a cup of 7 oz capacity):

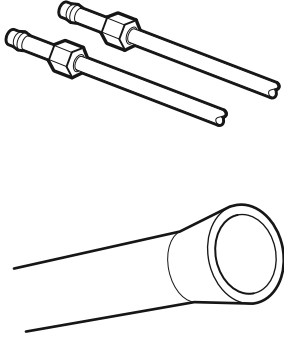
- Check to see if the sediment filter in the reverse osmosis system is blocked. Replace the filter if necessary.
- Allow the storage tank on the reverse osmosis system to refill after heavy usage.
- If the issue concerning water pressure from reverse osmosis remains, call a licensed, qualified plumber.
- All installations must be in accordance with local plumbing code requirements.

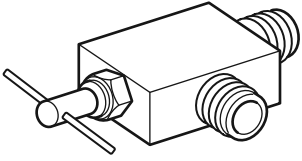
CAUTION: Wear eye protection during installation to prevent injury.

WHAT YOU WILL NEED

- **Copper Tubing**, 1/4 in. outer diameter, to connect the refrigerator to the water supply. Be sure both ends of the tubing are cut square. 
- To determine how much tubing you need: measure the distance from the water valve on the back of the refrigerator to the water supply pipe. Then, add 8 feet (2.4 m). Be sure there is sufficient extra tubing (about 8 feet [2.4 m] coiled into 3 turns of about 10 in. [25 cm] diameter) to allow the refrigerator to move out from the wall after installation.

- **Power drill.**
- **1/2 in. or adjustable wrench.**
- **Flat blade and Phillips head screwdrivers.**
- **Two 1/4 in. outer diameter compression nuts and 2 ferrules (sleeves)** to connect the copper tubing to the shutoff valve and the refrigerator water valve. 

- If your existing copper water line has a flared fitting at the end, you will need an **adapter** (available at plumbing supply stores) to connect the water line to the refrigerator OR you can cut off the flared fitting with a tube cutter and then use a compression fitting. 

- **Shutoff valve to connect to the cold water line.** The shutoff valve should have a water inlet with a minimum inside diameter of 5/32 in. at the point of connection to the COLD WATER LINE. Saddle-type shutoff valves are included in many water supply kits. Before purchasing, make sure a saddle-type valve complies with your local plumbing codes. 

NOTE: A Self Piercing Saddle Type Water Valve should not be used.

⚠ WARNING

Electrical Shock Hazard

When using any electrical device (such as a power drill) during installation, be sure the device is battery powered, double insulated or grounded in a manner that will prevent the hazard of electric shock.

INSTALLATION INSTRUCTIONS

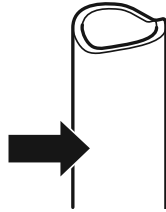
Install the shutoff valve on the nearest frequently used drinking water line.

1. SHUT OFF THE MAIN WATER SUPPLY

Turn on the nearest faucet to relieve the pressure on the line.

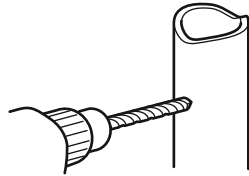
2. CHOOSE THE VALVE LOCATION

Choose a location for the valve that is easily accessible. It is best to connect into the side of a vertical water pipe. When it is necessary to connect into a horizontal water pipe, make the connection to the top or side, rather than at the bottom, to avoid drawing off any sediment from the water pipe.



3. DRILL THE HOLE FOR THE VALVE

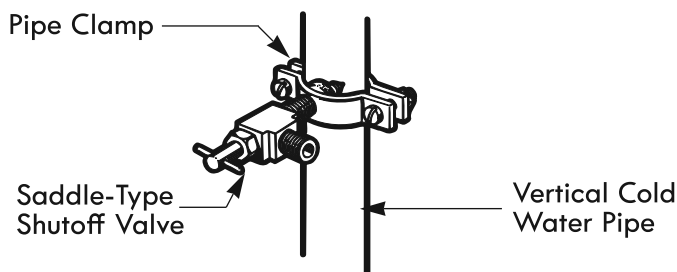
Drill a 1/4 in. hole in the water pipe using a sharp bit. Remove any burrs resulting from drilling the hole in the pipe. Be careful not to allow water to drain into the drill. Failure to drill a 1/4 in. hole may result in reduced ice production or smaller cubes.



NOTE: The hookup line cannot be white, plastic tubing. Licensed plumbers must use only copper tubing NDA tubing #49595 or 49599 or Cross Link Polyethylene (PEX) tubing.

4. FASTEN THE SHUTOFF VALVE

Fasten the shutoff valve to the cold water pipe with the pipe clamp.

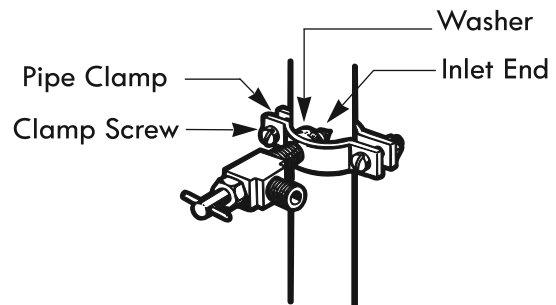


NOTE: Commonwealth of Massachusetts Plumbing Codes 248CMR shall be adhered to. Saddle valves are illegal and use is not permitted in Massachusetts. Consult with your licensed plumber.

5. TIGHTEN THE PIPE CLAMP

Tighten the clamp screws until the sealing washer begins to swell.

NOTE: Do not overtighten clamp or you may crush the tubing.



6. ROUTE THE TUBING

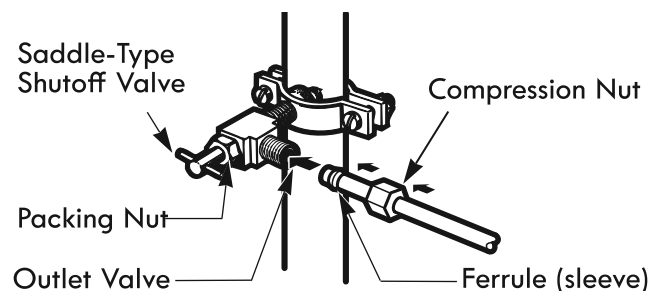
Route the tubing between the cold water line and the refrigerator.

Route the tubing through a hole drilled in the wall or floor (behind the refrigerator or adjacent base cabinet) as close to the wall as possible.

NOTE: Be sure there is sufficient extra tubing (about 8 feet coiled into 3 turns of about 10 in. diameter) to allow the refrigerator to move out from the wall after installation.

7. CONNECT THE TUBING TO THE VALVE

Place the compression nut and ferrule (sleeve) for copper tubing onto the end of the tubing and connect it to the shutoff valve. Make sure the tubing is fully inserted into the valve. Tighten the compression nut securely.



NOTE: Commonwealth of Massachusetts Plumbing Codes 248CMR shall be adhered to. Saddle valves are illegal and their use is not permitted in Massachusetts. Consult with your licensed plumber.

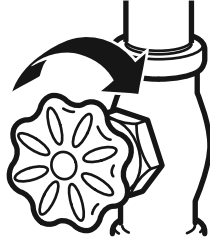
IMPORTANT : Use only new water hoses, do not reuse old water hoses.

CONNECTING THE WATER LINE

8. FLUSH OUT THE TUBING

Turn the main water supply on and flush out the tubing until the water is clear.

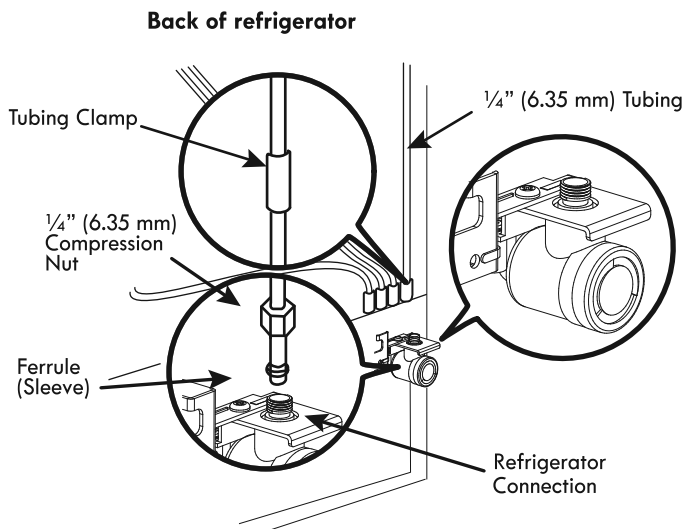
Shut the water off at the water valve after about one quart of water has been flushed through the tubing.



9. CONNECT THE TUBING TO THE REFRIGERATOR

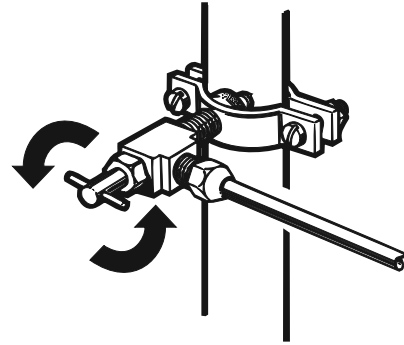
NOTE: Before making the connection to the refrigerator, be sure that the refrigerator power cord is not plugged into the wall outlet.

1. Remove the plastic flexible cap from the water valve.
2. Place the compression nut and ferrule (sleeve) onto the end of the tubing as shown.
3. Insert the end of the copper tubing into the connection as far as possible. While holding the tubing, tighten the fitting.



10. TURN THE WATER ON AT THE SHUTOFF VALVE

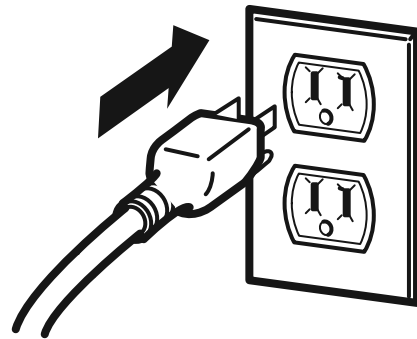
Tighten any connections that leak.



CAUTION: Check to see if leaks occur at the water line connections.

11. PLUG IN THE REFRIGERATOR

Arrange the coil of tubing so that it does not vibrate against the back of the refrigerator or against the wall. Push the refrigerator back to the wall.



12. START THE ICEMAKER

The icemaker will not begin to operate until it reaches its operating temperature of 14°F (-10°C) or below. It will then begin operation automatically if the Ice Maker button is set to **ON**.

TROUBLESHOOTING GUIDE

COOLING

Before conducting troubleshooting, make sure that the following basic requirements are met:

Service Flow	0.5 gpm (1.9 lpm)
Water Supply	Potable Water
Water Pressure	30-100 psi (207 - 689 kPa)
Water Temperature	34°F - 100°F (1°C - 38°C)
Electrical Ratings	115 Volts, 60 Hz, AC only, and fused at 15 amperes (minimum).

Problem	Possible Causes	Solutions
Refrigerator and Freezer section are not cooling.	The power supply cord is unplugged.	Firmly plug the cord into a live outlet with the proper voltage.
	Refrigerator is in the defrost cycle.	During the defrost cycle, the temperature of each compartment may rise slightly. Wait 30 minutes and confirm the proper temperature has been restored once the defrost cycle has completed.
	Refrigerator was recently installed.	It may take up to 24 hours for each compartment to reach the desired temperature.
	Refrigerator was recently relocated.	If the refrigerator was stored for a long period of time or moved on its side, it is necessary for the refrigerator to lay upright for 24 hours before connecting it to power.
Cooling System runs too much.	Refrigerator is replacing an older model.	Modern refrigerators require more operating time but use less energy due to more efficient technology.
	Refrigerator was recently plugged in or power restored.	The refrigerator will take up to 24 hours to cool completely.
	Door opened often or a large amount of food / hot food was added.	Adding food and opening the door warms the refrigerator, requiring the compressor to run longer in order to cool the refrigerator back down. In order to conserve energy, try to get everything you need out of the refrigerator at once, keep food organized so it is easy to find, and close the door as soon as the food is removed. (Refer to the Food Storage Guide .)
	Doors are not closed completely.	Firmly push the doors shut. If they will not shut all the way, see the Doors will not close completely or pop open section in Parts & Features Troubleshooting .
	Refrigerator is installed in a hot location.	The compressor will run longer under warm conditions. At normal room temperatures (70°F or 21°C) expect your compressor to run about 40% to 80% of the time. Under warmer conditions, expect it to run even more often. The refrigerator should not be operated above 110°F (43°C).
	Condenser / back cover is clogged.	Use a vacuum cleaner with an attachment to clean the condenser cover and vents. Do not remove the panel covering the condenser coil area.

COOLING

COOLING

Problem	Possible Causes	Solutions
Refrigerator or Freezer section is too warm.	Refrigerator was recently installed.	It may take up to 24 hours for each compartment to reach the desired temperature.
	Air vents are blocked.	Rearrange items to allow air to flow throughout the compartment. Refer to the Airflow diagram in the Using Your Refrigerator section.
	Doors are opened often or for long periods of time.	When the doors are opened often or for long periods of time, warm, humid air enters the compartment. This raises the temperature and moisture level within the compartment. To lessen the effect, reduce the frequency and duration of door openings.
	Unit is installed in a hot location.	The refrigerator should not be operated in temperatures above 110°F (43°C).
	A large amount of food or hot food was added to either compartment.	Adding food warms the compartment requiring the cooling system to run. Allowing hot food to cool to room temperature before putting it in the refrigerator will reduce this effect.
	Doors not closed correctly.	See the Doors will not close correctly or pop open section in Parts & Features Troubleshooting .
	Temperature control is not set correctly.	If the temperature is too warm, adjust the control one increment at a time and wait for the temperature to stabilize. Refer to the Setting the Controls section for more information.
	Defrost cycle has recently completed.	During the defrost cycle, the temperature of each compartment may raise slightly and condensation may form on the back wall. Wait 30 minutes and confirm the proper temperature has been restored once the defrost cycle has completed.
Interior moisture buildup.	Doors are opened often or for long periods of time.	When the doors are opened often or for long periods of time, warm, humid air enters the compartment. This raises the temperature and moisture level within the compartment. To lessen the effect, reduce the frequency and duration of door openings.
	Doors not closed correctly.	See the Doors will not close correctly section in the Troubleshooting section.
	Weather is humid.	Humid weather allows additional moisture to enter the compartments when the doors are opened leading to condensation or frost. Maintaining a reasonable level of humidity in the home will help to control the amount of moisture that can enter the compartments.
	Defrost cycle recently completed.	During the defrost cycle, the temperature of each compartment may raise slightly and condensation may form on the back wall. Wait 30 minutes and confirm that the proper temperature has been restored once the defrost cycle has completed.
	Food is not packaged correctly.	Food stored uncovered or unwrapped, and damp containers can lead to moisture accumulation within each compartment. Wipe all containers dry and store food in sealed packaging to prevent condensation and frost.

COOLING/ICE & WATER

Problem	Possible Causes	Solutions
Food is freezing in the refrigerator compartment.	Food with high water content was placed near an air vent.	Rearrange items with high water content away from air vents.
	Refrigerator temperature control is set incorrectly.	If the temperature is too cold, adjust the control one increment at a time and wait for the temperature to stabilize. Refer to the Setting the Controls section for more information.
	Refrigerator is installed in a cold location.	When the refrigerator is operated in temperature below 50°F (10°C), food can freeze in the refrigerator compartment.
Frost or ice crystals form on frozen food (outside of package).	Door is opened frequently or for long periods of time.	When the doors are opened often or for long periods of time, warm, humid air enters the compartment. This raises the temperature and moisture level within the compartment. Increased moisture will lead to frost and condensation. To lessen the effect, reduce the frequency and duration of door openings.
	Door is not closing properly.	Refer to the “Doors will not close correctly or pop open” section in the Troubleshooting section.
Refrigerator or Freezer section is too cold.	Incorrect temperature control settings.	If the temperature is too cold, adjust the control one increment at a time and wait for the temperature to stabilize. Refer to the Setting the Controls section for more information.
Frost or ice crystals on frozen food (inside of sealed package).	Condensation from food with a high water content has frozen inside of the food package.	This is normal for food items with a high water content.
	Food has been left in the freezer for a long period of time.	Do not store food items with high water content in the freezer for a long period of time.
Icemaker is not making enough ice.	Demand exceeds ice storage capacity.	The icemaker will produce approximately 3.9lbs ice cubes in a 24 hour period.
	House water supply is not connected, valve is not turned on fully, or valve is clogged.	Connect the refrigerator to a cold water supply with adequate pressure and turn the water shutoff valve fully open. If the problem persists, it may be necessary to contact a plumber.
	Low house water supply pressure.	The water pressure must be between 20 and 100 psi (138-689kPa) on models without a water filter and between 30 and 100 psi (207-689kPa) on models with a water filter. If the problem persists, it may be necessary to contact a plumber.
	Reverse Osmosis filtration system is used.	Reverse osmosis filtration systems can reduce the water pressure below the minimum amount and result in icemaker issues. (Refer to Water Pressure section.)
	Tubing connecting refrigerator to house supply valve is kinked.	The tubing can kink when the refrigerator is moved during installation or cleaning resulting in reduced water flow. Straighten or repair the water supply line and arrange it to prevent future kinks.

ICE & WATER

Problem	Possible Causes	Solutions
Icemaker is not making enough ice (continued).	Doors are opened often or for long periods of time.	If the doors of the unit are opened often, ambient air will warm the refrigerator which will prevent the unit from maintaining the set temperature. Lowering the refrigerator temperature can help, as well as not opening the doors as frequently.
	Doors are not closed completely.	If the doors are not properly closed, ice production will be affected. See the “Doors will not close completely or pop open” section in Parts & Features Troubleshooting for more information.
	The temperature setting for the freezer is too warm.	The recommended temperature for the freezer compartment for normal ice production is 0°F. If the freezer temperature is warmer, ice production will be affected.
Icemaker is not making ice.	Refrigerator was recently installed or icemaker recently connected.	It may take up to 24 hours for each compartment to reach the desired temperature and for the icemaker to begin making ice.
	Icemaker not turned on.	Locate the Ice Maker button on the display and confirm that it is set to ON.
	The ice detecting sensor is obstructed.	Foreign substances or frost on the ice-detecting sensor can interrupt ice production. Make sure that the sensor area is clean at all times for proper operation.
	The refrigerator is not connected to a water supply or the supply shutoff valve is not turned on.	Connect refrigerator to the water supply and turn the water shutoff valve fully open.
	Icemaker shutoff (arm or sensor) obstructed.	If your icemaker is equipped with an ice shutoff arm, make sure that the arm moves freely. If your icemaker is equipped with the electronic ice shutoff sensor, make sure that there is a clear path between the two sensors.
	Reverse osmosis water filtration system is connected to your cold water supply.	Reverse osmosis filtration systems can reduce the water pressure below the minimum amount and result in icemaker issues. (Refer to the Water Pressure section.)
Ice has bad taste or odor.	Water supply contains minerals such as sulfur.	A water filter may need to be installed to eliminate taste and odor problems. NOTE: In some cases, a filter may not help. It may not be possible to remove all minerals / odor / taste in all water supplies.
	Icemaker was recently installed.	Discard the first few batches of ice to avoid discolored or bad tasting ice.
	Ice has been stored for too long.	Ice that has been stored for too long will shrink, become cloudy, and may develop a stale taste. Throw away old ice and make a new supply.
	The food has not been stored properly in either compartment.	Rewrap the food. Odors may migrate to the ice if food is not wrapped properly.
	The interior of the refrigerator needs to be cleaned.	See the Care and Cleaning section for more information.
	The ice storage bin needs to be cleaned.	Empty and wash the bin (discard old cubes). Make sure that the bin is completely dry before reinstalling it.

ICE & WATER

Problem	Possible Causes	Solutions
Water has bad taste or odor.	Water supply contains minerals such as sulfur.	A water filter may need to be installed to eliminate taste and odor problems.
	Water filter has been exhausted.	It is recommended that you replace the water filter: <ul style="list-style-type: none"> • Approximately every 6 months. • When the water filter indicator turns on. • When the water dispenser output decreases. • When the ice cubes are smaller than normal.
	Refrigerator was recently installed.	Dispense 2.5 gallons (9.5 l) of water (flush for approximately 5 minutes) to remove trapped air and contaminants from the system. Do not dispense the entire 2.5 gallon (9.5 l) amount continuously. Depress and release the dispenser pad for cycles of 30 seconds ON and 60 seconds OFF.
Icemaker is making too much ice.	Icemaker shutoff (arm/sensor) is obstructed.	Empty the ice bin. If your icemaker is equipped with an ice shutoff arm, make sure that the arm moves freely. If your icemaker is equipped with the electronic ice shutoff sensor, make sure that there is a clear path between the two sensors. Reinstall the ice bin and wait 24 hours to confirm proper operation.

NOISE

Problem	Possible Causes	Solutions
Clicking	The defrost control will click when the automatic defrost cycle begins and ends. The thermostat control (or refrigerator control on some models) will also click when cycling on and off.	Normal Operation
Rattling	Rattling noises may come from the flow of refrigerant, the water line on the back of the unit, or items stored on top of or around the refrigerator.	Normal Operation
	Refrigerator is not resting solidly on the floor.	Floor is weak or uneven or leveling legs need to be adjusted. See the Door Alignment section.
	Refrigerator with linear compressor was jarred while running.	Normal Operation
Whooshing	Evaporator fan motor is circulating air through the refrigerator and freezer compartments.	Normal Operation
	Air is being forced over the condenser by the condenser fan.	Normal Operation
Gurgling	Refrigerant flowing through the cooling system.	Normal Operation
Popping	Contraction and expansion of the inside walls due to changes in temperature.	Normal Operation
Sizzling	Water dripping on the defrost heater during a defrost cycle.	Normal Operation
Vibrating	If the side or back of the refrigerator is touching a cabinet or wall, some of the normal vibrations may make an audible sound.	To eliminate the noise, make sure that the sides and back cannot vibrate against any wall or cabinet.
Dripping	Water running into the drain pan during the defrost cycle.	Normal Operation
Pulsating or High-Pitched Sound	Your refrigerator is designed to run more efficiently to keep your food items at the desired temperature. The high efficiency compressor may cause your new refrigerator to run longer than your old one, but it is still more energy efficient than previous models. While the refrigerator is running, it is normal to hear a pulsating or high-pitched sound.	Normal Operation

PARTS AND FEATURES

Problem	Possible Causes	Solutions
Doors will not close correctly or pop open.	Food packages are blocking the door open.	Rearrange food containers to clear the door and door shelves.
	Ice bin, crisper cover, pans, shelves, door bins, or baskets are out of position.	Push bins all the way in and put crisper cover, pans, shelves and baskets into their correct positions. See the Using Your Refrigerator section for more information.
	The doors were removed during product installation and not properly replaced.	Remove and replace the doors according to the Removing and Replacing Refrigerator Handles and Doors section.
	Refrigerator is not leveled properly.	See Door Alignment in the Refrigeration Installation section to level refrigerator.
Doors are difficult to open.	The gaskets are dirty or sticky.	Clean the gaskets and the surfaces that they touch. Rub a thin coat of appliance polish or kitchen wax on the gaskets after cleaning.
	Door was recently closed.	When you open the door, warmer air enters the refrigerator. As the warm air cools, it can create a vacuum. If the door is hard to open, wait one minute to allow the air pressure to equalize, then see if it opens more easily.
Refrigerator wobbles or seems unstable.	Leveling legs are not adjusted properly.	Refer to the Leveling and Door Alignment section.
	Floor is not level.	It may be necessary to add shims under the leveling legs or rollers to complete installation.
Lights do not work.	A light bulb has burned out. NOTE: The refrigerator compartment lamp is LED interior lighting, and service should be performed by a qualified technician.	Refer to the Light Bulb Replacement section.

Use & Care Guide

Manual de Uso y Cuidado

Guide d'utilisation et d'entretien

Kenmore®

French door Refrigerator

Refrigerador de Dos Puertas

Réfrigérateur à portes françaises

#,* = color number, número de color, numéro de couleur

Models/Modelos/MODELES: 17.5 cf 897.7552# 20.3 cf 897.7551#

P/N BCD-513WI BCD-595WI
Transform SR Brands Management LLC
Hoffman Estates, IL, U.S.A. 60179 U.S.A
www.kenmore.com



ÍNDICE

REGISTRO DEL PRODUCTO	3	REFRIGERADOR/CONGELADOR	24
Garantía Limitada de Kenmore	4	CUIDADO Y LIMPIEZA	25
INSTRUCCIONES IMPORTANTES DE SEGURIDAD	5	CONSEJOS GENERALES DE LIMPIEZA	25
REQUISITOS ELÉCTRICOS Y DE PUESTA A TIERRA	7	PARTE EXTERIOR	25
PARTES Y CARACTERÍSTICAS	8	PAREDES INTERNAS (permite que el congelador se caliente para que el paño no se adhiera)	25
INSTALACIÓN DEL REFRIGERADOR	10	REVESTIMIENTOS DE PUERTAS Y SELLOS	25
DESEMPAQUETADO DEL REFRIGERADOR	10	PARTES DE PLÁSTICO (Cubiertas y Paneles)	25
INSTALACIÓN	11	CONDENSADOR Y BOBINAS	25
QUITAR Y COLOCAR PUERTAS DEL REFRIGERADOR	13	REEMPLAZO DE LA LUZ LED	26
NIVELACIÓN	16	INTERRUPCIONES DE ENERGÍA	26
ALINEACIÓN DE LAS PUERTAS	16	CUANDO TE VAS DE VACACIONES	26
CONEXIÓN DE LA LÍNEA DE AGUA	17	DE MUDANZAS	26
USO DEL REFRIGERADOR	18	CONEXIÓN DE LA LÍNEA DE AGUA	27
CONFIGURACIÓN DE LOS CONTROLES	18	GUÍA DE SOLUCIÓN DE PROBLEMAS	30
CARACTERÍSTICAS DEL PANEL DE CONTROL	18	Contacto de Servicio en la Última Página	Contraportada
Alarma de puerta	20		
FABRICADOR AUTOMÁTICO DE HIELO	21		
GUÍA DE ALMACENAMIENTO DE ALIMENTOS	23		
CUBOS DE PUERTA DEL REFRIGERADOR/CONGELADOR	24		
CAJONES Y TAPA DEL REFRIGERADOR	24		
ESTANTES DEL			

REGISTRO DEL PRODUCTO

En el espacio a continuación, registre la fecha de compra, el modelo y el número de serie de su producto. Encontrará el modelo y el número de serie impresos en una etiqueta de identificación ubicada en el revestimiento interior del compartimento del refrigerador. Tenga esta información disponible siempre que se comunique con Sears acerca de su producto.

Número de modelo: _____

Fecha de Compra _____

N.º de Serie _____

Guarde estas instrucciones y adjunte su recibo de venta para referencia futura.

Garantía Limitada de Kenmore

Los productos Kenmore® son vendidos y distribuidos por Kenmore y distribuidores autorizados y licenciarios de Kenmore en varios países.

Para obtener información sobre la garantía limitada y el proveedor autorizado aplicable a su producto y país, visite: <https://www.kenmore.com/warranty-information/>

*Para obtener una copia impresa, contáctenos al 1-844-553-6667 o en la siguiente dirección: ATENCIÓN:
Solicitud de Garantía Kenmore
5407 Trillium Suite B120 Hoffman Estates, IL 60192*

INSTRUCCIONES IMPORTANTES DE SEGURIDAD

PRECAUCIONES BÁSICAS DE SEGURIDAD

Esta guía contiene muchos mensajes importantes de seguridad. Leer y seguir todos las advertencias de seguridad.



Este es el símbolo de alerta de seguridad. Le alerta sobre mensajes de seguridad que le informan sobre peligros que pueden matar o lastimar a usted u a otros, o causar daño al producto.

Todos los mensajes de seguridad irán precedidos por el símbolo de alerta de seguridad y las palabras de señal de peligro PELIGRO, ADVERTENCIA o PRECAUCIÓN. Estas palabras significan:



PELIGRO

De no seguir las instrucciones le provocará la MUERTE o sufrirá HERIDAS.



ADVERTENCIA

De no seguir las instrucciones puede provocar la MUERTE o sufrirá HERIDAS.



PRECAUCIÓN

Indica una situación inminentemente peligrosa que, si no se evita, puede resultar en lesiones menores o moderadas, o daño al producto.

Todos los mensajes de seguridad identificarán el peligro, le dirán cómo reducir la probabilidad de lesiones y le dirán qué puede suceder si no se siguen las instrucciones.

⚠ ADVERTENCIA

Para reducir el riesgo de incendio, descarga eléctrica o lesiones personales al usar su producto, se deben seguir precauciones básicas de seguridad, incluyendo las siguientes.

Lea todas las instrucciones antes de usar este electrodoméstico.

- NUNCA debe desenchufar el refrigerador tirando del cable de alimentación. Sujetar siempre el enchufe firmemente y tirar recto desde el tomacorriente.
- Reparar o reemplazar inmediatamente todos los cables de alimentación que estén desgastados o dañados de alguna otra manera. No usar un cable que muestre grietas o daños por abrasión a lo largo de su longitud o en cualquiera de los extremos del enchufe o conector.
- No modificar ni extienda la longitud del cable de alimentación. Podría causar descarga eléctrica o incendio.
- Al mover el refrigerador lejos de la pared, tenga cuidado de no pasar por encima o dañar el cable de alimentación.
- La aislación en esta unidad contiene cyclopentane o un gas similar a la pentana que es inflamable y requiere un proceso de eliminación especial. Antes de discontinuar el uso de este refrigerador, contacte a las autoridades locales para organizar la disposición segura de la unidad.

- NO almacenar ni usar gasolina u otros vapores inflamables y líquidos cerca de este o cualquier otro electrodoméstico.
- NO almacenar sustancias explosivas como latas de aerosol que contengan propelentes inflamables en este electrodoméstico.
- NO permitir que los niños suban, se pongan de pie o se cuelguen de las puertas o estantes del refrigerador. Podrían dañar el refrigerador y lastimarse gravemente.
- Mantener los dedos fuera de las áreas de pellizco; los espacios entre las puertas y los gabinetes son necesariamente pequeños. Tenga cuidado al cerrar las puertas cuando hay niños en el área.
- Desenchufar el refrigerador antes de limpiar o realizar cualquier reparación.

NOTA: Se recomienda encarecidamente que cualquier servicio sea realizado por un técnico calificado.

GUARDAR ESTAS INSTRUCCIONES

⚠ ADVERTENCIA

- Antes de realizar un servicio en la iluminación interior de LED, interruptor o caja de fusibles.
NOTA: Las luces de los compartimentos del refrigerador y el congelador son luces LED, y el servicio debe ser realizado por un técnico calificado.
- ⚠ **ADVERTENCIA:** Configurar cualquiera o ambos controles en la posición APAGADO no desconecta la alimentación al circuito de luces.
- Cuando haya terminado, vuelva a conectar el refrigerador a la fuente eléctrica y restablezca los controles (Termostatos del Control del Refrigerador y/o Control del Congelador, según el modelo) a la configuración deseada.
- Este refrigerador debe ser instalado adecuadamente siguiendo las Instrucciones para el Instalador que estaban pegadas al frente del refrigerador.
- Después de que el refrigerador esté en funcionamiento, no toque las superficies frías en el compartimento del congelador cuando sus manos estén húmedas. La piel puede adherirse a superficies extremadamente frías.
- **ADVERTENCIA:** Riesgo de cáncer por exposición al dietilhexil ftalato - www.P6JWarnings.ca.gov.
- NO tocar el mecanismo automático de fabricación de hielo mientras el refrigerador esté enchufado.
- NO se debe recongelar alimentos congelados que se hayan descongelado por completo. El Departamento de Agricultura de los Estados Unidos en el Boletín de Hogar y Jardín No. 69 dice:
... Puede volver a congelar de manera segura alimentos congelados que se hayan descongelado si aún contienen cristales de hielo o si están fríos por debajo de 39.2°F.
... **Carnes, aves o pescados molidos descongelados** que tengan mal olor o mal color no deben volverse a congelar y no deben ser consumidos. El helado descongelado debe desecharse. Si el olor o color de algún alimento es deficiente o cuestionable, deséchelo. El alimento puede ser peligroso para comer.
Incluso la descongelación parcial y el refreezing reducen la calidad alimentaria, especialmente frutas, verduras y alimentos preparados. La calidad de la carne roja se ve afectada menos que la de muchos otros alimentos. Utilice alimentos refrozen lo antes posible para conservar la mayor calidad posible.

GUARDAR ESTAS INSTRUCCIONES

⚠ PRECAUCIÓN

Este electrodoméstico no está destinado para ser utilizado por personas (incluidos niños) con capacidades físicas, sensoriales o mentales reducidas, o falta de experiencia y conocimiento a menos que hayan sido supervisados o instruidos sobre el uso del electrodoméstico por una persona responsable de su seguridad.

Los niños deben supervisarse para garantizar que no utilicen los aparatos como un juguete.

⚠ PELIGRO: RIESGO DE ATRAPAMIENTO DE NIÑOS

Los refrigeradores abandonados o desechados son peligrosos, incluso si han estado allí solo por unos días. Si va a deshacerse de su antiguo refrigerador, siga las instrucciones a continuación para ayudar a prevenir accidentes (atrapamiento y asfixia de niños).



ANTES DE TIRAR SU ANTIGUO REFRIGERADOR O CONGELADOR:

- Quitar las puertas.
- Dejar los estantes en su lugar para que los niños no puedan trepar fácilmente al interior.

DISPOSICIÓN DE CFC/HCFC

Su antiguo refrigerador puede tener un sistema de refrigeración que utiliza CFCs o HCFCs (clorofluorocarbonos o hidroclorofluorocarbonos). Se cree que los CFC y HCFC dañan la capa de ozono estratosférico si se liberan a la atmósfera. Otros refrigerantes también pueden causar daño al medio ambiente si se liberan a la atmósfera.

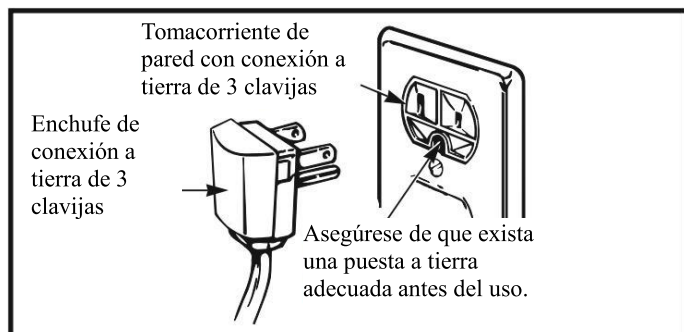
Si va a desechar su antiguo refrigerador, asegúrese de que el refrigerante sea retirado para su disposición adecuada por un técnico calificado. Si libera intencionalmente refrigerante, puede estar sujeto a multas y prisión bajo disposiciones de legislación ambiental.

REQUISITOS ELÉCTRICOS Y DE PUESTA A TIERRA

IMPORTANTE: Lea con atención.
PARA CONECTAR LA ELECTRICIDAD

⚠ **ADVERTENCIA**

Peligro de Descarga Eléctrica
POR SEGURIDAD PERSONAL, este electrodoméstico debe estar correctamente puesto a tierra. Haga que un electricista calificado revise el tomacorriente y el circuito para asegurarse de que el tomacorriente esté correctamente puesto a tierra.



MÉTODO DE PUESTA A TIERRA RECOMENDADO

El refrigerador siempre debe estar enchufado en su propio tomacorriente eléctrico correctamente puesto a tierra, con una clasificación de 115 voltios, 60 Hz, solo corriente alterna, y fusible de 15 amperios (mínimo). Esto proporciona el mejor rendimiento y también evita sobrecargar los circuitos de cableado de la casa, lo que podría causar un riesgo de incendio por cables recalentados. Se recomienda contar con un circuito independiente que sirva solo a este electrodoméstico.

Utilice un enchufe que no se pueda encender con un interruptor o cadena de extracción. No utilice un alargador.

Cuando se encuentre con un tomacorriente de pared estándar de dos clavijas, es su responsabilidad y obligación reemplazarlo con un tomacorriente de pared de tres clavijas debidamente conectado a tierra.

USO DE CABLES DE EXTENSIÓN

⚠ ADVERTENCIA: No utilice cables de extensión ni adaptadores sin conexión a tierra (de dos clavijas). Debido a posibles peligros bajo ciertas condiciones, no se recomienda el uso de un cable de extensión. Sin embargo, si decide utilizar un cable de extensión, es necesario que sea un cable de extensión para electrodomésticos tipo UL (EE. UU.), de tres cables con conexión a tierra, con enchufe y toma de corriente tipo conexión a tierra, y que la clasificación eléctrica del cable sea de 15 amperios (mínimo) y 120 voltios.

El uso de un cable de extensión aumentará el espacio necesario en la parte posterior del refrigerador.

⚠ **PRECAUCIÓN**

- No doble excesivamente el cable de alimentación ni coloque objetos pesados sobre él.
- Conecte el enchufe de alimentación en la posición correcta con el cable colgando hacia abajo.
- Al mover el refrigerador, tenga cuidado de no pasar por encima o dañar el cable de alimentación.
- Si el cable de alimentación está dañado, hágalo reemplazar inmediatamente por el fabricante o su agente de servicio.
- No inserte el enchufe de alimentación con las manos mojadas.
- No inserte las manos en el área debajo de la parte inferior del electrodoméstico.
- Asegúrese de que el enchufe de alimentación no esté aplastado ni dañado por la parte posterior del refrigerador.

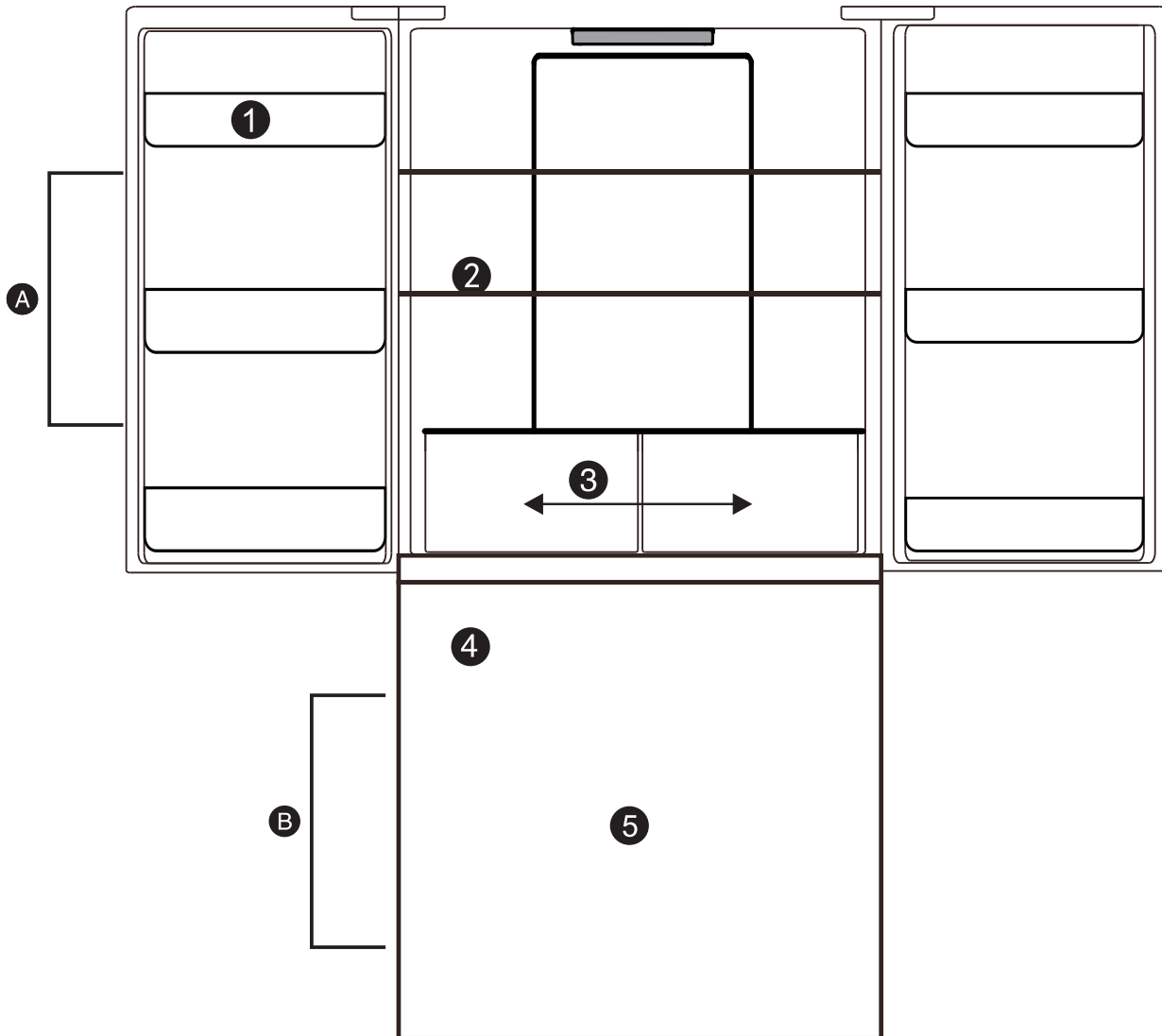
⚠ **ADVERTENCIA**

Reemplazo del Cable Eléctrico

Para evitar peligros, los cables de alimentación dañados deben ser reemplazados por el fabricante, su agente de servicio o un técnico igualmente calificado. No opere el electrodoméstico con un cable de alimentación dañado.

PARTES Y CARACTERÍSTICAS

Modelo: 17.5 pies cúbicos 897.7552#



Utilice esta guía para familiarizarse con las partes y características del refrigerador.

NOTA: Esta guía cubre varios modelos diferentes. El refrigerador que ha comprado puede tener algunos o todos los elementos enumerados a continuación. Las ubicaciones de las características mostradas a continuación pueden no coincidir con su modelo.

A Compartimento del refrigerador

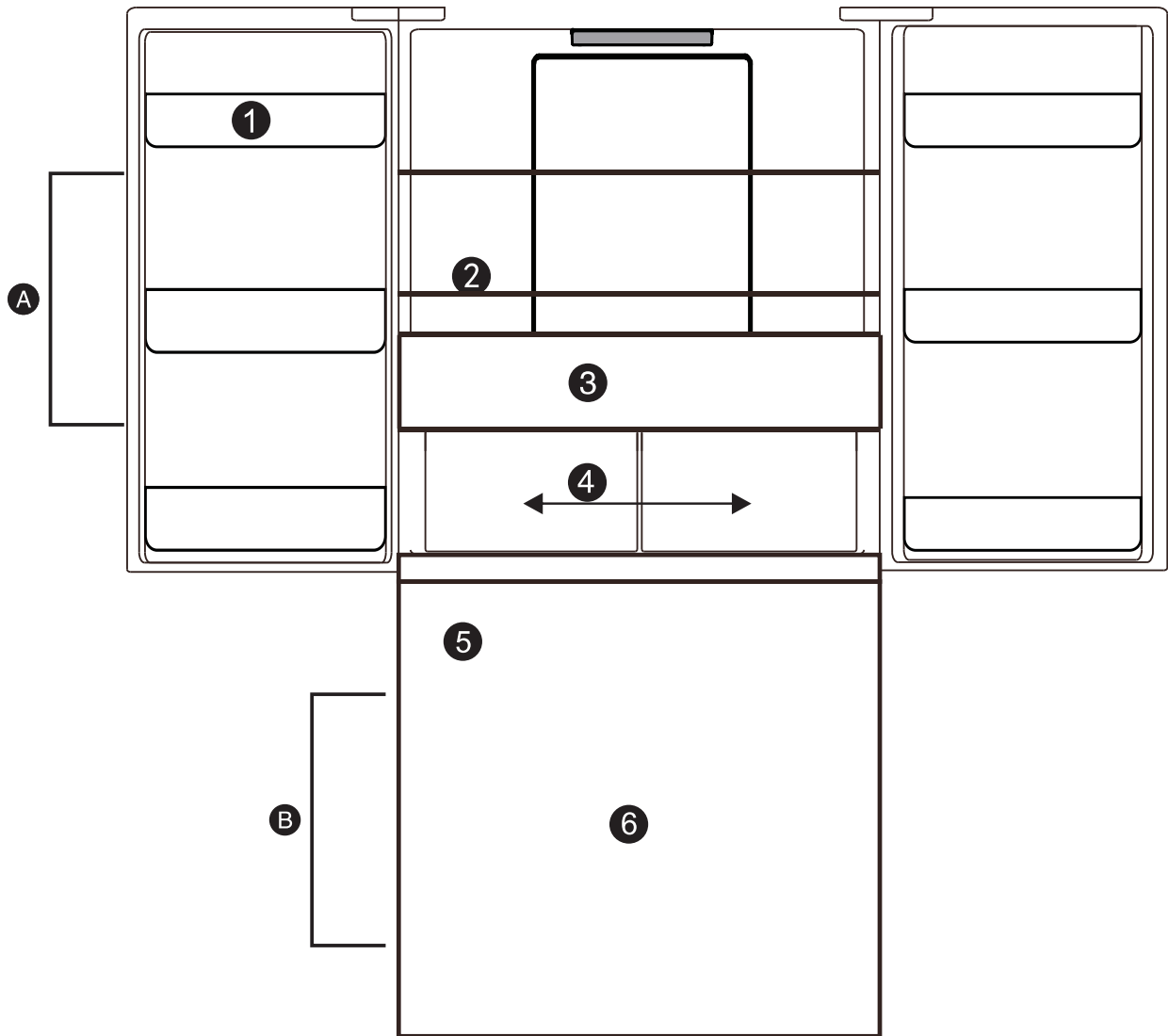
- 1 Baldes de la puerta del refrigerador
- 2 Estantes de vidrio
- 3 Verdulero

B Compartimento del congelador

- 4 Fabricador de hielo (interior)
- 5 Cajón del congelador

PARTES Y CARACTERÍSTICAS

Modelo: 20.3 pies cúbicos 897.7551#



Utilice esta página para familiarizarse con las partes y características del refrigerador.

NOTA: Esta guía cubre varios modelos diferentes. El refrigerador que ha comprado puede tener algunos o todos los elementos enumerados a continuación. Las ubicaciones de las características mostradas a continuación pueden no coincidir con su modelo.

A Compartimento del refrigerador

- 1 Baldes de la puerta del refrigerador
- 2 Estantes de vidrio
- 3 Verdulero de ancho completo
- 4 Verdulero

B Compartimento del congelador

- 5 Fabricador de hielo (interior)
- 6 Cajón del congelador

INSTALACIÓN DEL REFRIGERADOR

⚠ ADVERTENCIA

Peligro de Peso Excesivo:

Utilice dos o más personas para mover e instalar el refrigerador. No hacerlo puede resultar en lesiones en la espalda u otras partes del cuerpo.

⚠ ADVERTENCIA

Peligro de Peso Excesivo:

El refrigerador es pesado. Al mover el refrigerador para limpiarlo o darle servicio, asegúrese de proteger el suelo. Siempre tire del refrigerador hacia afuera en línea recta al moverlo. No mueva ni balancee el refrigerador cuando intente moverlo, ya que podría causar daños en el suelo.

DESEMPAQUETADO DEL REFRIGERADOR

Retire la cinta y cualquier etiqueta temporal del refrigerador antes de usarlo. No quite ninguna etiqueta de advertencia, la etiqueta del modelo y número de serie, o la hoja técnica que se encuentra debajo del frente del refrigerador, detrás de la rejilla de la base.

Para quitar cualquier cinta o pegamento restante, frote el área vigorosamente con el pulgar. Los residuos de cinta o pegamento también se pueden quitar fácilmente frotando una pequeña cantidad de detergente líquido sobre el adhesivo con los dedos. Limpie con agua tibia y seque.

No use instrumentos afilados, alcohol, fluidos inflamables o limpiadores abrasivos para quitar la cinta o el pegamento. Los estantes del refrigerador se instalan en la posición de envío.

Los estantes del refrigerador están instalados en la posición de envío. Vuelva a instalar los estantes según sus necesidades individuales de almacenamiento.

NOTA:

Este electrodoméstico está destinado para uso en aplicaciones domésticas y similares, tales como:

- áreas de cocina del personal en tiendas, oficinas y otros entornos de trabajo
- casas de campo y por clientes en hoteles, moteles y otros entornos residenciales
- entornos de cama y desayuno
- aplicaciones de catering y similares no minoristas.

Este producto no debe usarse con fines especiales, como el almacenamiento de medicamentos o materiales de prueba, o en barcos, etc.

⚠ ADVERTENCIA

Peligro de Explosión:

Mantenga materiales inflamables y vapores, como la gasolina, alejados del refrigerador. No hacerlo puede resultar en incendios, explosiones o la muerte.

⚠ ADVERTENCIA

Tenga cuidado al trabajar con la bisagra, tope, etc. Puede resultar herido.
Para evitar el riesgo de lesiones o descargas eléctricas, no ponga las manos ni objetos metálicos en las aberturas de aire o la abertura inferior del refrigerador.

⚠ ADVERTENCIA

Peligro de descarga eléctrica:
Para reducir el riesgo de descargas eléctricas, no instale el refrigerador en un área húmeda.

INSTALACIÓN

El refrigerador siempre debe estar enchufado en su propio tomacorriente eléctrico correctamente puesto a tierra, con una clasificación de 115 voltios, 60 Hz, solo corriente alterna, y fusible de 15 amperios (mínimo). Esto proporciona el mejor rendimiento y también evita sobrecargar los circuitos de cableado de la casa, lo que podría causar un riesgo de incendio por cables recalentados. Se recomienda contar con un circuito independiente que sirva solo a este electrodoméstico.

1. Para evitar ruido y vibración, la unidad debe nivelarse e instalarse en un piso sólidamente construido. Si es necesario, ajuste las patas niveladoras para compensar la irregularidad del piso. La parte delantera debe estar ligeramente más alta que la parte trasera para facilitar el cierre de la puerta. Las patas niveladoras se pueden girar fácilmente inclinando ligeramente el gabinete. Gire las patas niveladoras en sentido antihorario para elevar la unidad o en sentido horario para bajarla. (Ver NIVELACIÓN Y ALINEACIÓN DE PUERTAS.)

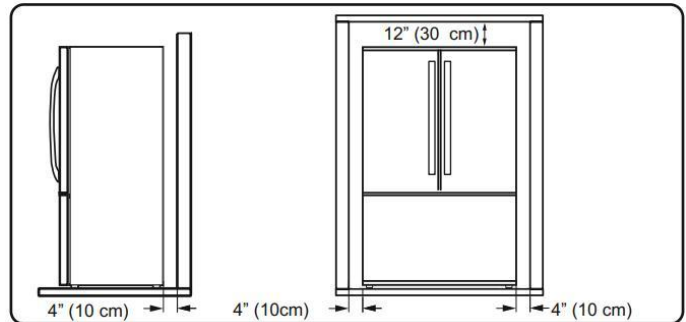
NOTA: No se recomienda instalar sobre alfombras, superficies de baldosas suaves, una plataforma o una estructura débilmente soportada.

2. Instalar este electrodoméstico en un área donde la temperatura esté entre 50°F (10°C) y 110°F (43°C). Si la temperatura alrededor del electrodoméstico es demasiado baja o alta, la capacidad de enfriamiento puede verse afectada negativamente.

3. Elegir la ubicación del suministro de agua para la fábrica automática de hielo.

NOTA: La presión del agua debe ser de entre 20 y 100 psi (138-689 kPa) en modelos sin filtro de agua y entre 30 y 100 psi (207-689 kPa) en modelos con filtro de agua.

4. Una proximidad insuficiente con elementos cercanos puede ocasionar una disminución en la capacidad de congelación y un incremento en los costos de electricidad. Asegúrese de dejar al menos 15.7 pulgadas (40 cm) de espacio frente al refrigerador para permitir la apertura de las puertas.



INSTALACIÓN DEL REFRIGERADOR

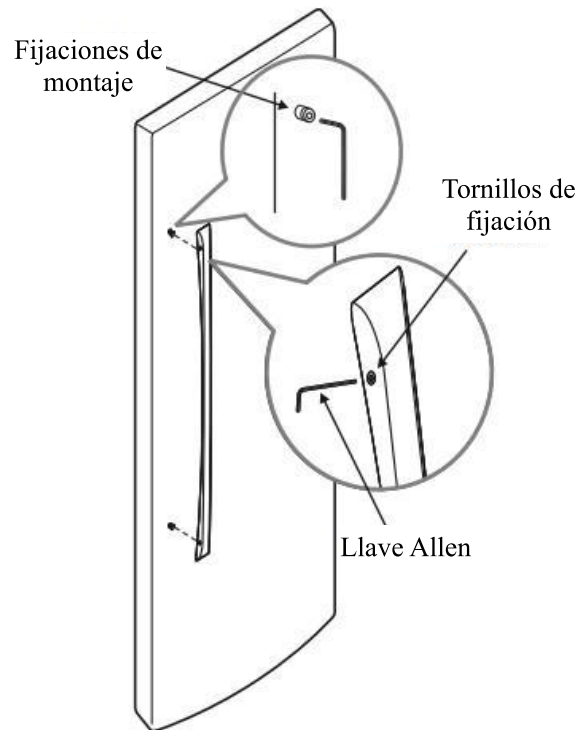
NOTA: La extracción de las puertas es el procedimiento recomendado cuando es necesario mover el refrigerador a través de una abertura estrecha. Si es necesario quitar las manijas, siga las instrucciones a continuación.

CÓMO QUITAR LA MANIJA DE LA PUERTA DEL REFRIGERADOR

NOTA: La apariencia de la manija puede variar de las ilustraciones en esta página.

Quitar la Manija del Refrigerador

Afloje los tornillos de fijación con una llave Allen de 3/32 de pulgada (2.5 mm) y retire el asa.



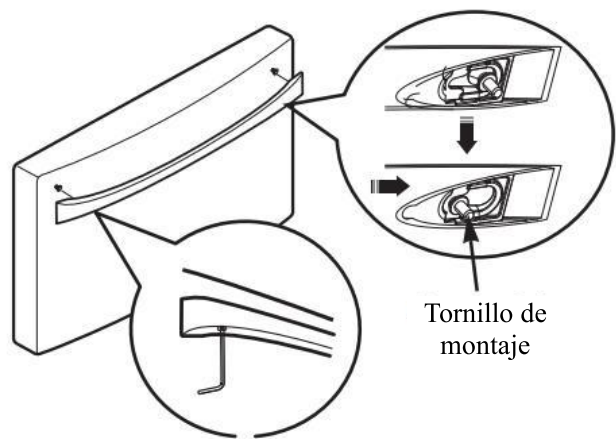
CÓMO REEMPLAZAR LA MANIJA DEL CAJÓN DEL CONGELADOR

NOTA: La apariencia de la manija puede variar de las ilustraciones en esta página.

Reemplazo de la Manija del Cajón del Congelador

Coloque el extremo derecho de la manija sobre el perno de montaje en el lado derecho del cajón del congelador y deslice cuidadosamente la manija hacia la derecha hasta que se detenga.

Baje el extremo izquierdo del asa sobre el perno de montaje del lado izquierdo. Utilice una llave hexagonal de 2.5 mm para apretar el tornillo de fijación y asegurar la manija en su lugar.



⚠ ADVERTENCIA

Al ensamblar o desmontar las manijas:

- Sujete la manija firmemente para asegurarse de que no caiga ni cause lesiones.
- Evite que la manija se balancee hacia las personas o animales cercanos.
- Inserte las huellas de la manija sobre los elementos de fijación de la puerta y apriete los tornillos hexagonales para fijar la manija en su lugar.
- Verifique si hay algún espacio entre la puerta y la manija después de fijar la manija en su lugar.

QUITAR Y COLOCAR PUERTAS DEL REFRIGERADOR

⚠ ADVERTENCIA

Peligro de Peso Excesivo:

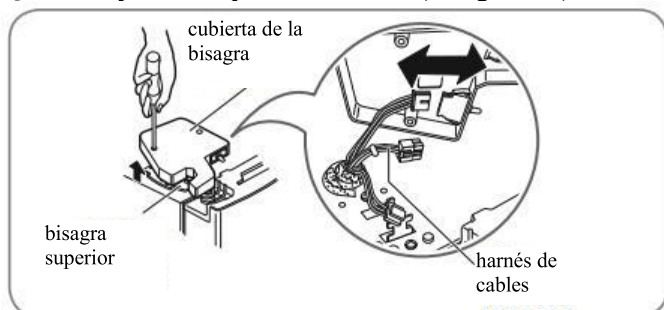
Use dos o más personas para quitar e instalar las puertas del refrigerador. No hacerlo puede resultar en lesiones en la espalda u otras partes del cuerpo.

⚠ ADVERTENCIA

Peligro de Descarga Eléctrica

- Desconecte la fuente eléctrica del refrigerador antes de instalar. No hacerlo podría resultar en lesiones graves o la muerte.
- No introduzca manos, pies u otros objetos en las aberturas de aire o la parte inferior del refrigerador. Podría resultar herido o recibir una descarga eléctrica.

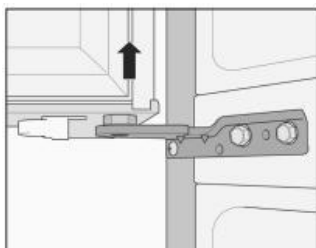
Quitar la puerta izquierda/derecha (refrigerador)



1. Abra la puerta. Retire el tornillo de la cubierta de la bisagra superior.
2. Utilice un destornillador de hoja plana para levantar los ganchos (no mostrados) de la cubierta de la bisagra desde la parte superior del gabinete del refrigerador. Levante la cubierta.
3. Desconecte todos los arneses de cables (puerta izquierda).

⚠ **PRECAUCIÓN:** Al levantar la bisagra del pestillo, tenga cuidado de que la puerta no caiga hacia adelante.

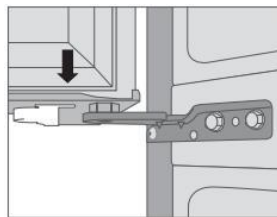
4. Levante la puerta del perno de bisagra central y retire la puerta. Coloque la puerta, con el lado interior hacia arriba, en una superficie que no raye.



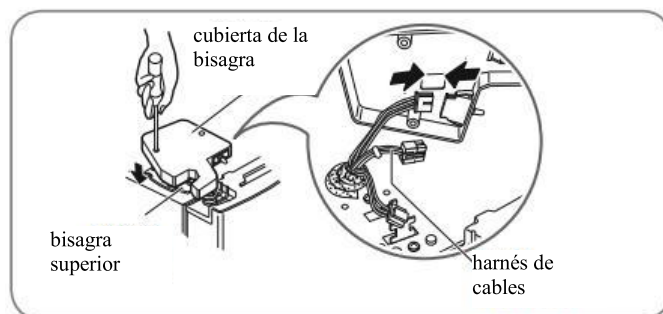
5. Repita los pasos del 1 al 4 para quitar la puerta derecha.

VOLVER A INSTALAR LAS PUERTAS DEL REFRIGERADOR

1. Coloque la puerta en el perno de bisagra medio.



2. Vuelva a conectar todos los arneses de cables (puerta derecha). Posicione la cubierta en su lugar. Inserte y apriete el tornillo de la cubierta.

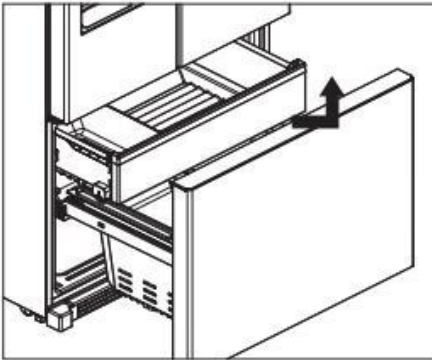


INSTALACIÓN DEL REFRIGERADOR

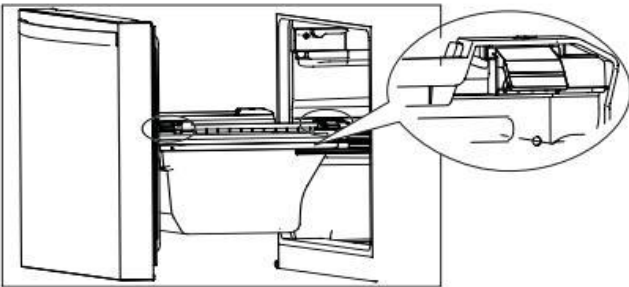
CÓMO QUITAR EL CAJÓN DEL CONGELADOR (Modelo: 17.5 pies cúbicos 897.7552#)

⚠ ADVERTENCIA: Use dos o más personas para quitar e instalar el cajón del congelador. No hacerlo puede resultar en lesiones personales, daño al producto o propiedad.

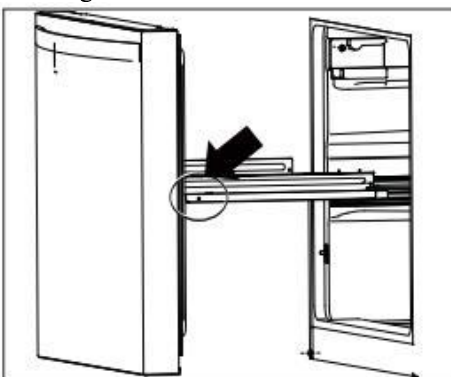
1. Saque primero el depósito de hielo y luego saque el cajón superior del congelador levantándolo.



2. Hay un total de 4 clips en el cajón. 1 clip en el frente y otro en la parte trasera en cada uno de los lados. Desenganche los 4 clips y saque la canasta del congelador del cajón.



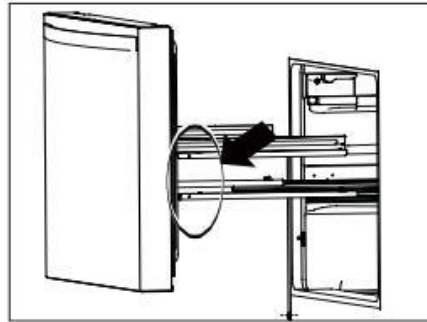
3. Con un destornillador "Phillips", desenrosque los tornillos en ambos lados del riel y luego retire la puerta del congelador.



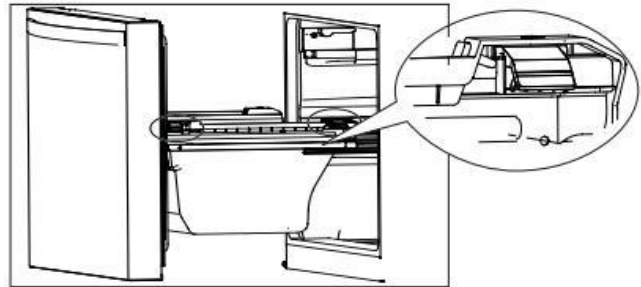
4. Tire del cajón exterior del congelador para desengranar completamente el conjunto del riel de la unidad. Utilice a 2 personas para esta tarea, ya que la puerta es pesada y difícil de manejar.

CÓMO INSTALAR EL CAJÓN DEL CONGELADOR

1. Alinee los rieles guía y apriete los tornillos.



2. Inserte la canasta del cajón del congelador en su posición y presione hacia abajo los 2 clips en ambos lados para asegurarlo en su lugar.



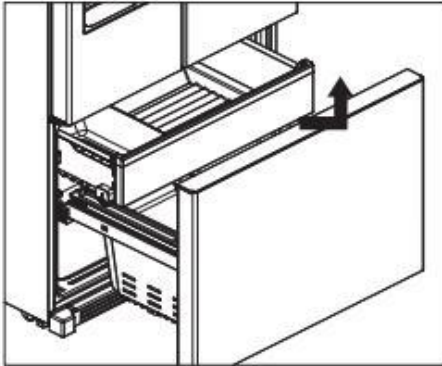
3. Inserte el cajón del congelador superior sobre la canasta inferior, y abra y cierre el cajón del congelador varias veces para asegurarse de que la operación sea suave y el sellado sea consistente alrededor del compartimento del congelador.

⚠ PRECAUCIÓN: No sostenga la manija al quitar o volver a colocar el cajón. La manija puede desprenderse y causar lesiones personales.

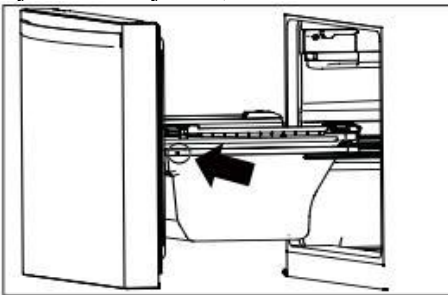
CÓMO QUITAR EL CAJÓN DEL CONGELADOR (Modelo: 20.3 pies cúbicos 897.7551#)

⚠ ADVERTENCIA: Use dos o más personas para quitar e instalar el cajón del congelador. No hacerlo puede resultar en lesiones personales, daño al producto o propiedad.

1. Saque primero el depósito de hielo y luego saque el cajón superior del congelador levantándolo.



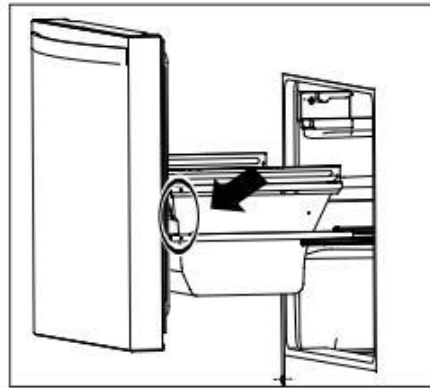
2. La canasta inferior del congelador no se puede quitar por separado.
3. Usando un destornillador, desenrosque los tornillos en ambos lados del riel y retire la puerta del congelador y el cajón inferior juntos;



4. Tire del cajón exterior del congelador para desengranar completamente el conjunto del riel de la unidad. Utilice a 2 personas para esta tarea, ya que la puerta es pesada y difícil de manejar.

CÓMO INSTALAR EL CAJÓN DEL CONGELADOR

1. Al instalar, coloque primero el cajón inferior en el riel, luego alinee e instale el riel y apriete los tornillos en ambos lados del riel;



2. Inserte el cajón del congelador superior sobre la canasta inferior, y abra y cierre el cajón del congelador varias veces para asegurarse de que la operación sea suave y el sellado sea consistente alrededor del compartimento del congelador.

⚠ PRECAUCIÓN: No sostenga la manija al quitar o volver a colocar el cajón. La manija puede desprenderse y causar lesiones personales.

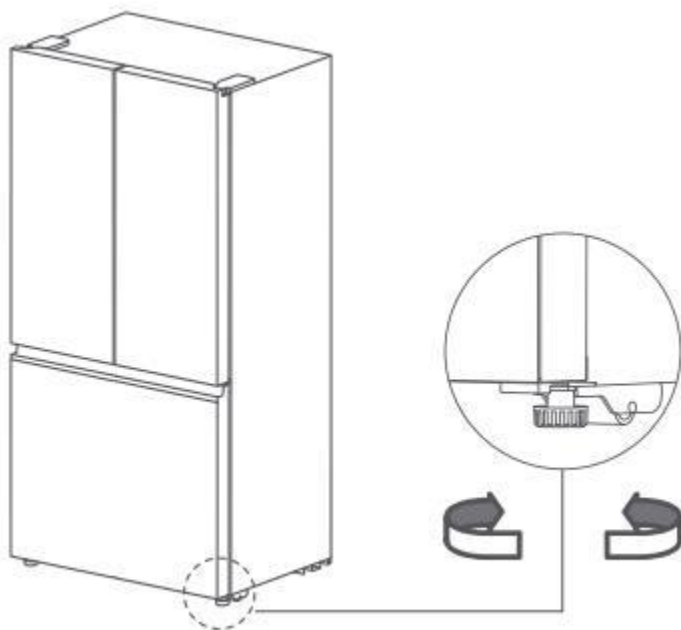
INSTALACIÓN DEL REFRIGERADOR

NIVELACIÓN

Después de instalar, enchufe el cable de alimentación del refrigerador en un tomacorriente de tres clavijas conectado a tierra y empuje el refrigerador a la posición final.

Su refrigerador tiene dos patas niveladoras delanteras, una a la derecha y otra a la izquierda. Ajuste las patas para cambiar la inclinación de adelante hacia atrás o de lado a lado. Si el refrigerador parece inestable o si desea que las puertas cierren más fácilmente, ajuste la inclinación del refrigerador siguiendo las instrucciones a continuación:

1. Gire la pata niveladora en sentido antihorario para elevar ese lado del refrigerador o en sentido horario para bajarlo. Puede tomar varias vueltas de la pata niveladora para ajustar la inclinación del refrigerador.



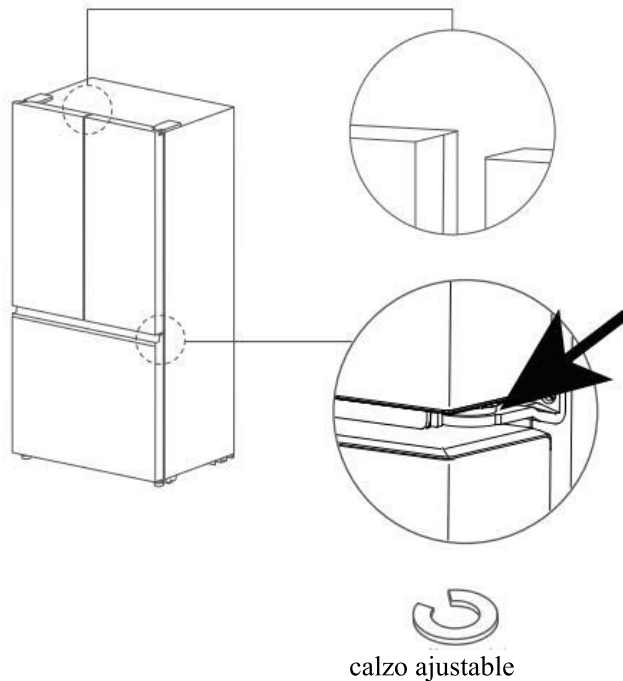
NOTA: Que alguien empuje hacia atrás en la parte superior del refrigerador para quitar algo de peso de las patas niveladoras. Esto facilita el ajuste de las patas.

2. Abra ambas puertas de nuevo y asegúrese de que cierren fácilmente. Si las puertas no cierran fácilmente, incline ligeramente el refrigerador hacia atrás girando ambas patas niveladoras en sentido antihorario. Puede tomar varias vueltas más, y debe girar ambas patas niveladoras en la misma cantidad.

ALINEACIÓN DE LAS PUERTAS

Si las puertas siguen estando desiguales después de que el refrigerador se haya nivelado, termine de ajustar las puertas siguiendo las instrucciones a continuación.

1. Saqué el calzo ajustable de la bolsa de instrucciones.
2. Levante ligeramente la puerta inferior con las manos.
3. Coloque el calzo ajustado entre la puerta y la bisagra con una mano o unos alicates.



CONEXIÓN DE LA LÍNEA DE AGUA

⚠ ADVERTENCIA

Peligro de Peso Excesivo:

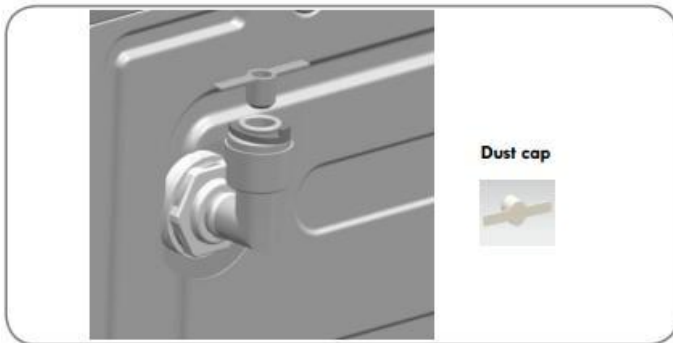
Use dos o más personas para quitar e instalar las puertas del refrigerador. No hacerlo puede resultar en lesiones en la espalda u otras partes del cuerpo.

⚠ ADVERTENCIA

Peligro de Descarga Eléctrica

- Desconecte la fuente eléctrica del refrigerador antes de instalar. No hacerlo podría resultar en lesiones graves o la muerte.
- No introduzca manos, pies u otros objetos en las aberturas de aire o la parte inferior del refrigerador. Podría resultar herido o recibir una descarga eléctrica.

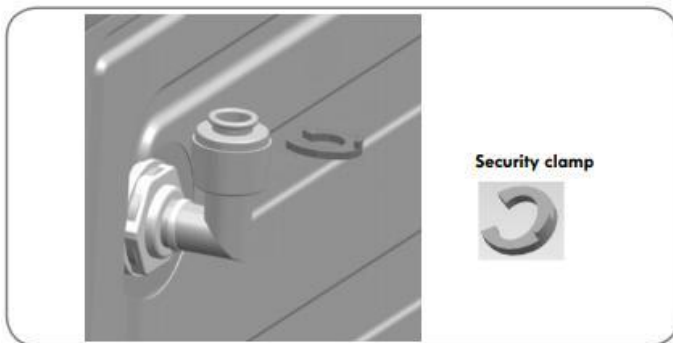
Conexión de la línea de agua



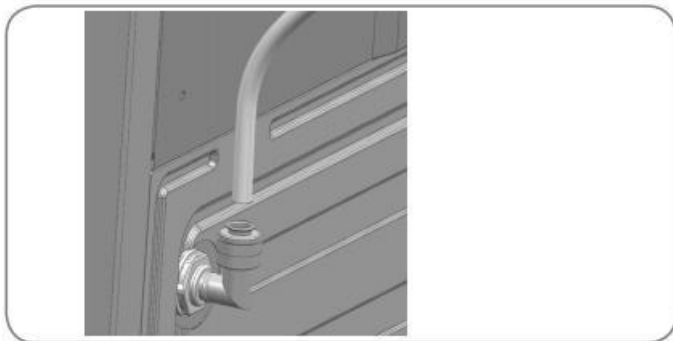
Paso 1) Retire la tapa contra polvo.



Paso 4) Instale la abrazadera de seguridad.



Paso 2) Retire la abrazadera de seguridad.



Paso 3) Conecte el tubo suave PE.

USO DEL REFRIGERADOR

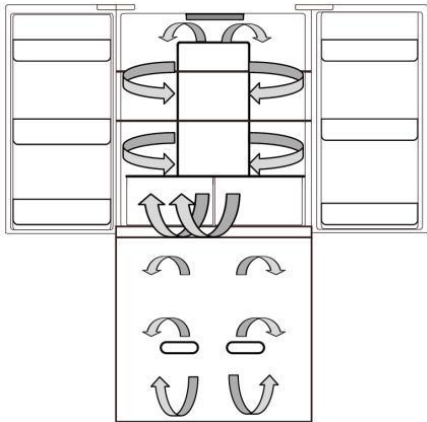
CONFIGURACIÓN DE LOS CONTROLES

La perilla de control del refrigerador funciona como el termostato para todo el electrodoméstico (secciones de refrigerador y congelador). Cuanto más frío sea el ajuste, más tiempo funcionará el compresor para mantener la temperatura más baja. El control del congelador ajusta el flujo de aire frío desde el congelador hasta el refrigerador.

Ajustar el control del congelador a una temperatura más baja mantiene más aire frío en el compartimento del congelador para hacerlo más frío.

FLUJO DE AIRE

El aire frío circula desde el congelador hasta la sección de alimentos frescos y viceversa a través de las rejillas de ventilación en la pared que divide las dos secciones. Asegúrese de no bloquear las rejillas al cargar el refrigerador. Hacerlo restringirá el flujo de aire y puede hacer que la temperatura del refrigerador sea demasiado cálida o causar acumulación de humedad en el interior. (Vea el diagrama de flujo de aire a continuación.)



IMPORTANTE:

Debido a que el aire circula entre ambas secciones, cualquier olor formado en una sección se transferirá a la otra. Debe limpiar a fondo ambas secciones para eliminar olores.

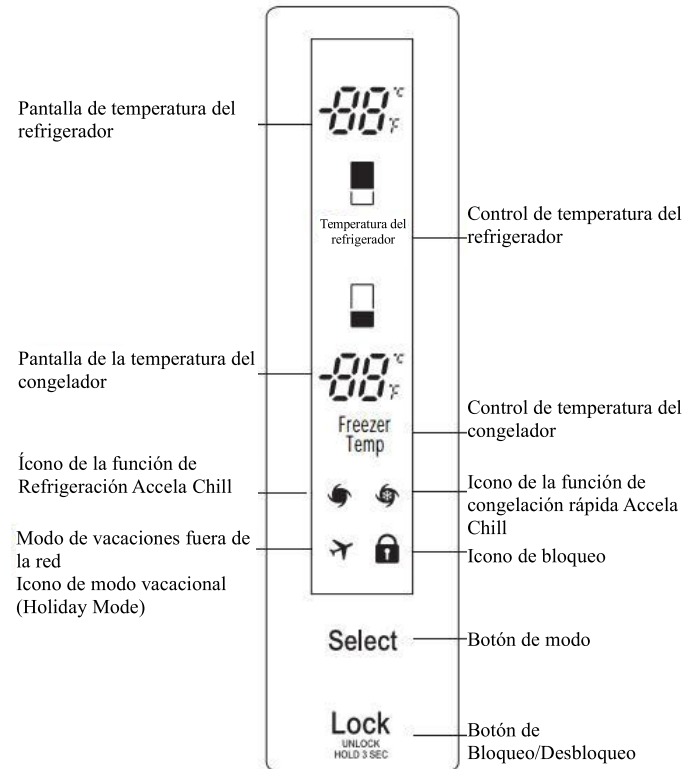
Para evitar la transferencia de olores y el secado de los alimentos, envuelva o cubra los alimentos con fuerza. (Consulte la sección de la Guía de almacenamiento de alimentos para obtener más detalles.)

NOTA: Si cierra la puerta del refrigerador, es posible que vea que la puerta del congelador se abre y cierra nuevamente debido a la presión del flujo interno de aire.

ANTES DE USAR

1. Limpie a fondo el refrigerador y retire el polvo acumulado durante el envío.
2. Instale accesorios como cubos de hielo, cajones, estantes, etc., en sus lugares correspondientes. Están embalados juntos para evitar posibles daños durante el envío.
3. Deje que el refrigerador funcione durante al menos 2 o 3 horas antes de colocar alimentos en él. Revise el flujo de aire frío en el compartimento del congelador para asegurarse de una refrigeración adecuada. Su refrigerador está listo para usar.

CARACTERÍSTICAS DEL PANEL DE CONTROL



Su unidad tiene un control para regular la temperatura. El control de temperatura está ubicado en el lado de la puerta del compartimento del refrigerador.

La temperatura predeterminada se muestra en grados Fahrenheit cuando la unidad se enciende por primera vez. Presione y mantenga presionado el botón "Seleccionar" durante 5 segundos para cambiar entre °C y °F. Otros botones usan el mismo método para cambiar entre dos modos.

Rango de temperatura establecido: Modo de grados Celsius

1. Rango de temperatura del refrigerador: 0~6°C (Valor predeterminado 3°C)
2. Rango de temperatura del congelador: -23~-15°C (Valor predeterminado -19°C)

Rango de temperatura establecido: Modo de grados Fahrenheit

1. Rango de temperatura del refrigerador: 32~43°F (Valor predeterminado 38°F)
2. Rango de temperatura del congelador: -10~5°F (Valor predeterminado -2°F)

La primera vez que encienda la unidad, esta comenzará con la temperatura predeterminada de fábrica, que es de 38°F o 3°C en el compartimento del refrigerador y de -2°F o -19°C en el compartimento del congelador.

La primera vez que encienda la unidad, ajuste la temperatura en el compartimento del refrigerador a 34°F y hágala funcionar durante al menos 4 horas antes de colocar alimentos en su interior. Esto garantizará que el compartimento del congelador esté completamente enfriado y que el compartimento del refrigerador esté estabilizado antes de colocar alimentos en su interior. Luego ajuste la configuración de temperatura según su preferencia.

Para ajustar la temperatura en cada zona, presione el botón de la zona correspondiente y la zona seleccionada parpadeará. La temperatura cambiará según las temperaturas preestablecidas que se muestran a continuación. Escuchará un timbre con cada presión de los botones del panel de control.

Modo de bloqueo

El BLOQUEO DEL PANEL DE CONTROL está diseñado para evitar cambios en la configuración del refrigerador.

Para habilitar el BLOQUEO, presione el botón de BLOQUEO y el ícono de BLOQUEO se encenderá.

El panel de control estará bloqueado hasta que se desbloquee en el panel de control o haya una pérdida de energía.

Para desactivar el BLOQUEO, presione y mantenga presionado el botón de bloqueo durante aproximadamente 3 segundos hasta que el ícono de BLOQUEO se apague y el panel de control vuelva al modo de operación normal.

Modo de espera

El PANEL DE CONTROL se apagará después de aproximadamente 20 segundos si no se ha realizado ninguna entrada.

Para reactivar la pantalla, simplemente presione cualquiera de los botones del panel de control.

Función de congelación rápida Accela Chill

Este modo establecerá la temperatura del congelador en -10°F o -23°C para una rápida disminución de la temperatura al almacenar grandes cantidades de alimentos calientes o a temperatura ambiente en el congelador. La unidad permanecerá en la Función de congelación rápida Accela Chill durante 24 horas o hasta que la temperatura alcance -10°F o -23°C y luego volverá a la configuración original, o hasta que la función se apague en el panel de control. La Función de congelación rápida Accela Chill del refrigerador y del congelador se puede ejecutar simultáneamente.

Para habilitar la Función de congelación rápida Accela Chill, presione el botón de función hasta que se ilumine el ícono de congelación rápida Accela Chill. El ícono permanecerá iluminado cuando esté activado.

Para desactivar la Función de congelación rápida Accela Chill, presione el botón de función hasta que se apague el ícono de congelación rápida Accela Chill.

Función de refrigeración rápida Accela Chill

Este modo establecerá la temperatura del refrigerador en 32 °F o 0°C para una rápida disminución de la temperatura al almacenar grandes cantidades de alimentos calientes o a temperatura ambiente en el refrigerador. La unidad permanecerá en la Función de refrigeración rápida Accela Chill durante 2 horas y 30 minutos o hasta que la temperatura alcance 32°F o 0°C y luego volverá a la configuración original, o hasta que la función se apague en el panel de control.

Tanto la Función de refrigeración rápida Accela Chill del refrigerador como la del congelador se pueden ejecutar al mismo tiempo.

Para habilitar la Función de refrigeración rápida Accela Chill, presione el botón de función hasta que se ilumine el ícono de refrigeración rápida Accela Chill.

El ícono permanecerá iluminado cuando esté activado.

Para desactivar la Función de refrigeración rápida Accela Chill, presione el botón de función hasta que se apague el ícono de refrigeración rápida Accela Chill.

Modo de vacaciones

Use este modo cuando se vaya por largos períodos, donde retirará la gran mayoría del contenido del refrigerador pero dejará contenido en el congelador. El modo de vacaciones establecerá automáticamente la sección del refrigerador a 43°F o 6°C y la sección del congelador a 5°F o -15°C. La unidad permanecerá en el MODO VACACIONES hasta que la función se desactive en el panel de control.

Para habilitar el modo VACACIONES, presione el botón de función hasta que el ícono del modo VACACIONES esté iluminado.

El ícono permanecerá iluminado cuando esté activado. Para desactivar el modo VACACIONES, presione el botón de función hasta que el ícono del modo VACACIONES se apague.

Alarma de puerta

Cuando se conecta la energía al refrigerador, se activa la alarma de puerta.

Cuando la puerta del refrigerador o del congelador se deja abierta durante más de 60 segundos, sonará una señal de alarma para avisarle que la puerta está abierta.

Cuando cierre la puerta, la alarma de la puerta se detendrá.

Modo Sabático

1. Cómo ingresar al modo sabático:

Cuando el congelador esté abierto, presiona y mantén presionado el botón "Refrigerator Temp" + botón "Lock" durante 10 segundos;

2. En modo Sabático:

- a. No hay alarma de apertura de puerta;
- b. Las luces LED en los compartimentos del refrigerador y del congelador están apagadas;
- c. El panel de visualización no se muestra a menos que se ajuste manualmente.
- d. El refrigerador cumple con la demanda normal de refrigeración;

3. Cómo salir del modo Sabático:

- a. Cuando el congelador esté abierto, presiona y mantén presionado el botón de Temperatura del refrigerador + el botón de Bloqueo durante 10 segundos para salir manualmente,
- b. Cuando el período de funcionamiento del modo Sabático exceda las 80 horas, saldrá automáticamente.

*En el modo Sabático, seguirá mostrando y emitiendo luz después de tocar el panel, pero se apagará después de esperar 20 segundos sin operación o después de abrir y cerrar la puerta una vez.

Ajuste de configuraciones de control

Dale tiempo al refrigerador para que se enfríe completamente antes de hacer ajustes finales. Es mejor esperar 24 horas para que las configuraciones normales (recomendadas en la sección de Temperatura) se establezcan antes de hacer cambios. Si necesita ajustar la temperatura en el refrigerador o el congelador, comience ajustando la temperatura del refrigerador y permita que la temperatura se estabilice nuevamente en 24 horas. Si aún está demasiado caliente o demasiado frío, ajuste luego el control del congelador.

Utiliza las configuraciones enumeradas en la tabla a continuación como guía. Recuerda siempre esperar al menos 24 horas entre ajustes.

CONDICIÓN/MOTIVO	AJUSTE RECOMENDADO
<p>El compartimento del REFRIGERADOR está demasiado cálido.</p> <ul style="list-style-type: none"> • La puerta se abrió con frecuencia. • Se agregó una gran cantidad de alimentos. • Temperatura ambiente muy cálida. 	<ul style="list-style-type: none"> • Ajuste el control del REFRIGERADOR un grado más frío; espere 24 horas para que la nueva configuración tenga pleno efecto antes de hacer otro ajuste.
<p>La sección del CONGELADOR está demasiado cálida/el hielo no se forma lo suficientemente rápido.</p> <ul style="list-style-type: none"> • La puerta se abrió con frecuencia. • Se agregó una gran cantidad de alimentos. • Temperatura ambiente muy fría (50°F (10°C)). (El compresor no se enciende con suficiente frecuencia). • Uso intensivo de hielo. • Las rejillas de ventilación están bloqueadas por objetos. 	<ul style="list-style-type: none"> • Ajuste el control del CONGELADOR un grado más frío; espere 24 horas para que la nueva configuración tenga pleno efecto antes de hacer otro ajuste. • Mueva los objetos fuera de la corriente de aire.
<p>La sección del REFRIGERADOR está demasiado fría.</p> <ul style="list-style-type: none"> • Los controles no están configurados correctamente para sus condiciones. 	<ul style="list-style-type: none"> • Ajuste el control del REFRIGERADOR un grado más cálido; espere 24 horas para que la nueva configuración tenga pleno efecto antes de hacer otro ajuste.
<p>La sección del CONGELADOR está demasiado fría.</p> <ul style="list-style-type: none"> • Los controles no están configurados correctamente para sus condiciones. 	<ul style="list-style-type: none"> • Ajuste el control del CONGELADOR un grado más cálido; espere 24 horas para que la nueva configuración tenga pleno efecto antes de hacer otro ajuste.

FABRICADOR AUTOMÁTICO DE HIELO

El hielo se produce en el fabricante automático de hielo y se envía al dispensador. El fabricante de hielo producirá 10 cubos por ciclo, aproximadamente de 70 a 120 cubos en 24 horas, dependiendo de la temperatura del compartimento del congelador, la temperatura ambiente, el número de aperturas de puertas y otras condiciones de funcionamiento.

- Se tarda aproximadamente de 12 a 24 horas para que un refrigerador recién instalado comience a producir hielo. Espere 72 horas para que se produzca la producción completa de hielo.
- La fabricación de hielo se detiene cuando el recipiente de hielo en la puerta está lleno. Cuando está lleno, el recipiente de hielo en la puerta contiene aproximadamente 3.9 libras de hielo.
- Para apagar el fabricante automático de hielo, simplemente suba el brazo de cierre y se cerrará la función de hielo.
- La presión del agua debe estar entre 20.3 y 100 psi (140 a 690 kPa) en modelos sin filtro de agua y entre 20.3 y 100 psi (140-690 kPa) en modelos con filtro de agua para producir la cantidad y tamaño normales de cubos de hielo.

CUÁNDO DEBE APAGAR EL FABRICADOR DE HIELO

- Cuando el suministro de agua está cerrado, durante varias horas.
- Cuando el recipiente de hielo se retira durante más de uno o dos minutos.
- Cuando el refrigerador no se usará durante varios días.

NOTA: El recipiente de hielo debe vaciarse cuando el brazo de detección del fabricante de hielo esté en la posición de APAGADO.

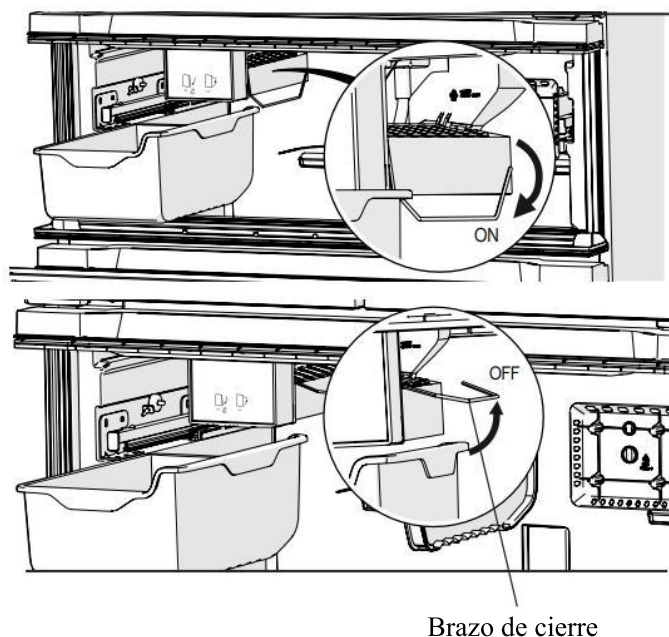
SONIDOS NORMALES QUE PUEDE ESCUCHAR

- La válvula de agua del fabricante de hielo vibrará mientras el fabricante de hielo se llena de agua. Si el fabricante de hielo está encendido, vibrará incluso si aún no está conectado al agua. Para detener la vibración, apague el fabricante de hielo.
- NOTA:** Mantener encendido el fabricante de hielo antes de conectar la línea de agua puede dañarlo.
- Escucharás el sonido de los cubos cayendo en el recipiente y el agua corriendo por las tuberías cuando el fabricante de hielo se rellene.

⚠ ADVERTENCIA

Peligro de lesiones personales

Evite el contacto con las piezas móviles del mecanismo expulsor o con el elemento calefactor que libera los cubos. No coloque los dedos o las manos en el mecanismo de expulsión de hielo automático mientras el refrigerador esté enchufado.



⚠ ADVERTENCIA: Conéctese solo a un suministro de agua potable.

PREPARACIÓN PARA VACACIONES

Ajuste el brazo de cierre del fabricante de hielo a **OFF** (apagado) y corte el suministro de agua al refrigerador.

NOTA: El recipiente de hielo debe vaciarse cada vez que el brazo de cierre del fabricante de hielo esté en la posición de **OFF**.

Si la temperatura ambiente desciende por debajo del punto de congelación, haga que un técnico calificado drene el sistema de suministro de agua para evitar daños graves a la propiedad debido a inundaciones causadas por tuberías o conexiones de agua rotas.

FABRICADOR AUTOMÁTICO DE HIELO

(continuación)

▲ PRECAUCIÓN

- El primer hielo y agua dispensados pueden incluir partículas u olores de la línea de suministro de agua o el tanque de agua.
- Deseche los primeros lotes de hielo (alrededor de 24 cubos). Esto también es necesario si el refrigerador no se ha usado durante mucho tiempo.
- Nunca guarde latas de bebidas u otros artículos en el recipiente de hielo para enfriar rápidamente. Hacerlo puede dañar el fabricante de hielo o los recipientes pueden explotar.
- Si se dispensa hielo de color, verifique el filtro de agua y el suministro de agua. Si el problema persiste, comuníquese con Sears u otro centro de servicio calificado. No use el hielo o el agua hasta que se corrija el problema.
- Mantenga a los niños alejados del dispensador. Los niños pueden jugar con o dañar los controles.
- Dispensa hielo en un vaso antes de llenarlo con agua u otras bebidas. Puede ocurrir salpicaduras si se dispensa hielo en un vaso que ya contiene líquido.
- Nunca uses un vaso que sea excepcionalmente estrecho o profundo. El hielo puede atascarse en el conducto de hielo y afectar el rendimiento del refrigerador.
- Mantén el vaso a una distancia adecuada de la salida de hielo. Un vaso demasiado cerca de la salida puede evitar que se dispensa hielo.
- Para evitar lesiones personales, mantén las manos fuera de la puerta y el conducto de hielo.
- Nunca quites la cubierta del dispensador.
- El conducto de hielo puede obstruirse con escarcha si solo se utiliza hielo triturado. Elimina la escarcha que se acumula quitando el recipiente de hielo y limpiando el conducto con una espátula de goma. La dispensación de hielo en cubos también puede ayudar a prevenir la acumulación de escarcha.
- Nunca uses vasos de cristal delgados o vajilla para recoger hielo. Esos recipientes pueden astillarse o romperse, resultando en fragmentos de vidrio en el hielo.
- Si el hielo se dispensa inesperadamente, apaga el suministro de agua y para atención al cliente ve a: www.kenmore.com/contacte-us/.

GUÍA DE ALMACENAMIENTO DE ALIMENTOS

Envuelve o guarda alimentos en el refrigerador en material hermético y a prueba de humedad, a menos que se indique lo contrario. Esto evita la transferencia de olores y sabores a lo largo del refrigerador. Para productos con fecha, verifica el código de fecha para garantizar frescura.

Ítems	How-to
Mantequilla o margarina	▶ Guardar la mantequilla abierta en un recipiente cubierto o compartimento cerrado. Cuando almacenes un suministro adicional, envuélvelo en envases para congelador y congélalo.
Queso	▶ Guárdalo en el envase original hasta que estés listo para usarlo. Una vez abierto, vuelve a envolverlo firmemente en plástico o papel de aluminio.
Leche	▶ Limpiar los cartones de leche. Para un mejor almacenamiento, coloca la leche en el estante interior, no en el estante de la puerta.
Huevos Fruta	▶ Almacena en el cartón original en el estante interior, no en el compartimento interior.
Fruta	▶ Lava, deja secar y almacena en bolsas de plástico o en un cajón del refrigerador. No laves ni pela la fruta hasta que estés listo para usarla. Clasifica y guarda la fruta en su envase original, en un cajón del refrigerador o guárdala en una bolsa de papel completamente cerrada en un estante del refrigerador.
Vegetales de hojas	▶ Quitar el envoltorio de la tienda y recorta o rasga las áreas magulladas y decoloradas. Lave en agua fría y escurra. Coloque en una bolsa de plástico o recipiente de plástico y guarde en el cajón del refrigerador.
Vegetales con piel (zanahorias, pimientos)	▶ Colocar en bolsas de plástico o recipientes de plástico y almacena en un cajón.
Pescado	▶ Utilizar pescado y mariscos frescos el mismo día de la compra.
Sobras	▶ Cubrir las sobras con plástico o papel de aluminio, o almacénalas en contenedores de plástico con tapas ajustadas.
Helado	▶ Al almacenar alimentos congelados como helado durante un largo período, colócalo en el estante del congelador, no en los compartimentos de la puerta.

ALMACENAMIENTO DE ALIMENTOS CONGELADOS

NOTA: Consulta una guía de congelador o un libro de cocina confiable para obtener más información sobre la preparación de alimentos para congelar o los tiempos de almacenamiento de alimentos.

Congelación

Tu congelador no congelará rápidamente una gran cantidad de alimentos. No ponga más alimentos no congelados en el congelador de los que se congelarán en 24 horas (no más de 2 a 3 libras de alimentos por pie cúbico de espacio en el congelador). Deja suficiente espacio en el congelador para que el aire circule entre los paquetes. Ten cuidado de dejar suficiente espacio en el frente para que la puerta cierre herméticamente.

Los tiempos de almacenamiento variarán según la calidad y el tipo de alimentos, el tipo de envase o envoltura utilizado (cuán hermético y a prueba de humedad sea) y la temperatura de almacenamiento. Los cristales de hielo dentro de un paquete sellado son normales. Esto simplemente significa que la humedad en los alimentos y el aire dentro del paquete se han condensado, creando cristales de hielo.

NOTA: Deja que los alimentos calientes se enfríen a temperatura ambiente durante 30 minutos, luego envuélvelos y congélalos. Enfríar los alimentos calientes antes de congelarlos ahorra energía.

Embalaje

La buena congelación depende del embalaje correcto. Cuando cierres y sellas el paquete, no debe permitir la entrada o salida de aire o humedad. Si lo hace, podrías tener transferencia de olores y sabores a lo largo del refrigerador y los alimentos congelados también podrían secarse.

Recomendaciones de embalaje:

- Recipientes de plástico rígido con tapas herméticas
- Frascos de conservas/congelación de lados rectos
- Papel de aluminio resistente
- Papel plastificado
- Envolturas de plástico no permeables
- Bolsas de plástico autoadhesivas de grado congelador especificado. Sigue las instrucciones del paquete o del contenedor para conocer los métodos adecuados de congelación.

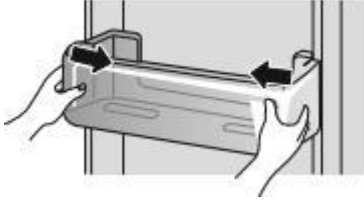
No usar

- Envoltorios de pan
- Recipientes de plástico no de polietileno
- Recipientes sin tapas ajustadas
- Papel encerado o envoltura de congelador recubierta de cera
- Envoltura fina y semipermeable

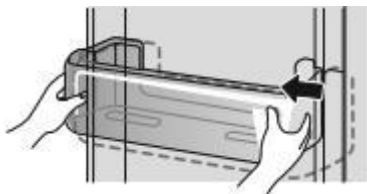
⚠ PRECAUCIÓN: No guardes latas de bebidas ni envases de alimentos de plástico en el compartimento del congelador. Pueden romperse o explotar si se congelan.

CUBOS DE PUERTA DEL REFRIGERADOR/CONGELADOR

El refrigerador y el congelador cuentan con cubos que se pueden organizar fácilmente para almacenar productos empaquetados.



Para quitar, sosteniendo ambos lados, levanta el cubo de la puerta y sácalo.



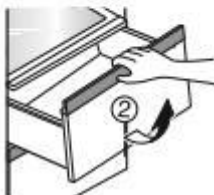
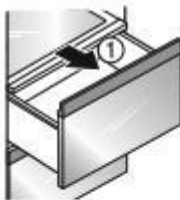
Para volver a colocar el cubo, deslízalo por encima del soporte deseado y presiona hacia abajo un lado a la vez hasta que encaje en su lugar.

CAJONES Y TAPA DEL REFRIGERADOR

Los cajones del refrigerador permiten una mejor conservación de frutas y verduras.

Para quitar los cajones del refrigerador - extiende completamente el cajón, levanta el frente, y tira hacia afuera en línea recta.

Para instalarlos - inclina ligeramente hacia arriba el frente, inserta el cajón en el marco y empujalo hacia atrás hasta que encaje en su lugar.



ESTANTES DEL REFRIGERADOR/CONGELADOR

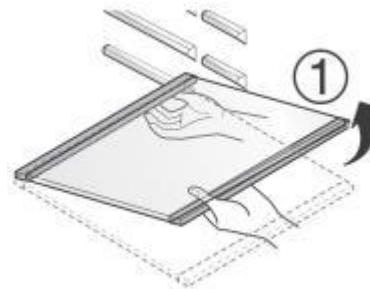
Los estantes en tu refrigerador y congelador son ajustables para satisfacer tus necesidades individuales de almacenamiento.

Ajustar los estantes para adaptarse a artículos de diferentes alturas facilitará encontrar el artículo exacto que deseas. Hacerlo también reducirá el tiempo que las puertas del refrigerador están abiertas, lo que ahorrará energía.

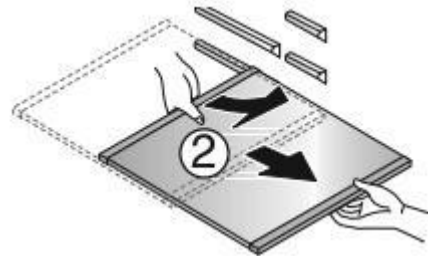
IMPORTANTE: No limpies los estantes de vidrio con agua tibia mientras estén fríos. Los estantes pueden romperse si se exponen a cambios bruscos de temperatura o impacto.

NOTA: Los estantes de vidrio son pesados. Manéjalos con cuidado al quitarlos.

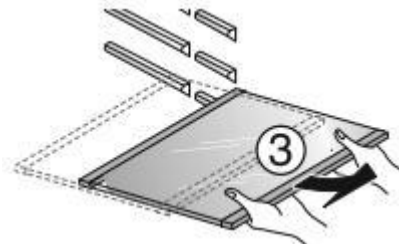
Desmontaje del estante



Sujeta el lado delantero con una mano y el lado trasero con la otra, y levántalo suavemente.



Tira del estante hacia adelante aproximadamente a la mitad, manteniendo ligeramente levantado el frente del estante.



Sosteniendo el estante con ambas manos, inclina el estante y tira hacia afuera.

Montaje del estante

Inclina el frente del estante hacia arriba y guía el estante en las ranuras a la altura deseada. Desliza el estante y luego baja el frente del estante.

⚠ PRECAUCIÓN: Asegúrate de que los estantes estén nivelados de un lado a otro. No hacerlo puede resultar en que el estante se caiga o se derrame la comida.

ADVERTENCIA



Peligro de Explosión

Usar un limpiador no inflamable. No hacerlo puede resultar en incendios, explosiones o la muerte.

Ambas secciones del refrigerador y del congelador se descongelan automáticamente; sin embargo, Limpiar ambas secciones aproximadamente una vez al mes para evitar olores. Limpiar los derrames inmediatamente.

CONSEJOS GENERALES DE LIMPIEZA

- Desconecta el refrigerador o desconecta la alimentación.
- Quitar todas las piezas removibles, como estantes, cajones, etc. Consulta las secciones en el uso del refrigerador para obtener instrucciones de eliminación.
- Usa una esponja Limpiar o paño suave y un detergente suave en agua tibia. No uses limpiadores abrasivos o fuertes.
- Lava, enjuaga y seca bien todas las superficies.
- Conecta el refrigerador o vuelve a conectar la alimentación.

PARTE EXTERIOR

Encerar las superficies externas de metal pintado ayuda a proporcionar protección contra el óxido. No encerar las piezas de plástico. Encera las superficies de metal pintado al menos dos veces al año usando cera para electrodomésticos (o cera para automóviles). Aplica la cera con un paño limpio y suave.

Para productos con un exterior de acero inoxidable, usa una esponja Limpiar o paño suave y un detergente suave en agua tibia. No uses limpiadores abrasivos o fuertes. Seca bien con un paño suave.

PAREDES INTERNAS (permite que el congelador se caliente para que el paño no se adhiera)

Para ayudar a eliminar olores, puedes lavar el interior del refrigerador con una mezcla de bicarbonato de sodio y agua tibia. Mezcla 2 cucharadas de bicarbonato de sodio con 1 litro de agua (26 g de bicarbonato a 1 litro de agua). Asegúrate de que el bicarbonato de sodio esté completamente disuelto para que no raye las superficies del refrigerador.

⚠ PRECAUCIÓN: Mientras limpias el interior, no rocíes agua.

REVESTIMIENTOS DE PUERTAS Y SELLOS

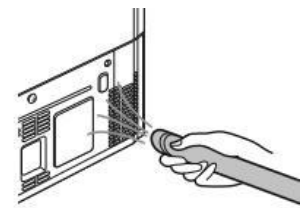
Usa una esponja Limpiar o paño suave y un detergente suave en agua tibia. No uses ceras limpiadoras, detergentes concentrados, lejías o limpiadores que contengan petróleo en piezas plásticas del refrigerador.

PARTES DE PLÁSTICO (Cubiertas y Paneles)

Usa una esponja Limpiar o paño suave y un detergente suave en agua tibia. No uses aerosoles para ventanas, limpiadores abrasivos ni líquidos inflamables. Estos pueden rayar o dañar el material.

CONDENSADOR Y BOBINAS

Utiliza una aspiradora con un accesorio para limpiar la cubierta del condensador y las aberturas. No quites el panel que cubre el área del condensador.



REEMPLAZO DE LA LUZ LED

⚠ ADVERTENCIA

Peligro de Descarga Eléctrica

Antes de realizar el servicio en la iluminación LED interior, desconecta el refrigerador o apaga la alimentación en el interruptor o caja de fusibles.

Configurar cualquiera o ambos controles en la posición APAGADO no desconecta la alimentación al circuito de luces.

NOTA: Las luces de los compartimentos del refrigerador y el congelador son luces LED, y el servicio debe ser realizado por un técnico calificado.

INTERRUPCIONES DE ENERGÍA

1. Si la energía estará fuera por 24 horas o menos, mantén todas las puertas del refrigerador cerradas para ayudar a que los alimentos se mantengan fríos y congelados.
2. Si la energía estará fuera por más de 24 horas, saca todos los alimentos congelados y guárdalos en un congelador.

CUANDO TE VAS DE VACACIONES

Si decides dejar el refrigerador encendido mientras estás ausente, sigue estos pasos para preparar tu refrigerador antes de irte.

1. Consume todos los productos perecederos y congela otros.
2. Apaga la máquina de hielo y vacía el recipiente de hielo.

Si decides apagar el refrigerador antes de irte, sigue estos pasos.

1. Quitar todos los alimentos del refrigerador.
2. Dependiendo de tu modelo, ajusta el control del termostato (control del refrigerador) a OFF. Consulta la sección CONFIGURACIÓN DE LOS CONTROLES.
3. Limpiar el refrigerador, límpialo y sécalo bien.
4. Pegue bloques de goma o madera en la parte superior de ambas puertas para abrirlas lo suficiente como para permitir que entre aire. Esto evita la acumulación de olores y moho.

DE MUDANZAS

Al mudarse con el refrigerador a una nueva casa, sigue estos pasos para prepararlo para el traslado.

1. Saca todos los alimentos del refrigerador y congelador, y Quitar todo el hielo. Apaga el suministro de agua y desconecta el tubo de agua del refrigerador. Asegúrate de que el suministro de agua esté completamente cerrado al confirmar que no haya flujo de agua.
2. Desenchufa el refrigerador.
3. Limpia, seca y seca completamente.
4. Saca todas las piezas extraíbles, envuélvelas bien y pégalas con cinta para que no se muevan ni hagan ruido durante el traslado. Consulta la sección USO DE TU REFRIGERADOR para obtener instrucciones de eliminación.
5. Dependiendo del modelo, levanta la parte frontal del refrigerador para que ruede más fácilmente O ajusta los tornillos de las patas niveladoras completamente para que no raspen el piso. Consulta la sección ALINEACIÓN DE PUERTAS.
6. Pega las puertas con cinta adhesiva y pega el cable de alimentación al gabinete del refrigerador.

Cuando llegues a tu nueva casa, vuelve a colocar todo y consulta la sección INSTALACIÓN DEL REFRIGERADOR para obtener instrucciones de preparación.

CONEXIÓN DE LA LÍNEA DE AGUA

ANTES DE COMENZAR

Esta instalación de la línea de agua no está cubierta por la garantía del refrigerador. Sigue estas instrucciones cuidadosamente para minimizar el riesgo de daños caros por agua.

La presión de agua (golpeteo de agua en las tuberías) en la fontanería de la casa puede causar daños a las piezas del refrigerador y provocar fugas de agua o inundaciones. Llama a un fontanero calificado para corregir el golpeteo de agua antes de instalar la línea de suministro de agua al refrigerador.

⚠ PRECAUCIÓN: Para evitar quemaduras y daños al producto, conecta solo la línea de agua del refrigerador a un suministro de agua fría. Conéctese solo a un suministro de agua potable.

Si usas tu refrigerador antes de conectar la línea de agua, asegúrate de que el botón del fabricante de hielo esté en **OFF**.

No instales el tubo del fabricante de hielo en áreas donde las temperaturas bajen de cero.

PRESIÓN DEL AGUA

Conéctate al suministro de agua fría. La presión de agua debe estar entre 20 y 100 psi (138 a 689 kPa) en modelos sin filtro de agua y entre 30 y 100 psi (207 a 689 kPa) en modelos con filtro de agua.

Si un **sistema de filtración de agua por ósmosis inversa** está conectado a tu suministro de agua fría, esta instalación de línea de agua no está cubierta por la garantía del refrigerador. Sigue las siguientes instrucciones cuidadosamente para minimizar el riesgo de daños caros por agua.

Si un **sistema de filtración de agua por ósmosis inversa** está conectado a tu suministro de agua fría, la presión de agua para el sistema de ósmosis inversa debe ser un mínimo de 40 a 60 psi (2.8 kgf/cm² ~ 4.2 kgf/cm², menos de 2.0~3.0 segundos para llenar una taza de 7 oz de capacidad).

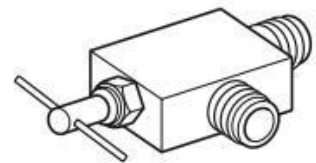
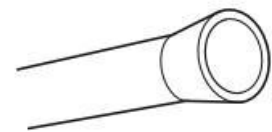
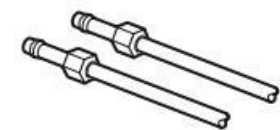
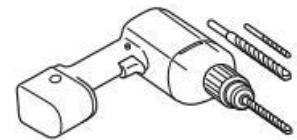
Si la presión de agua del sistema de ósmosis inversa es inferior a 21 psi o 1.5 kgf/cm² (tarda más de 4.0 segundos en llenar una taza de 7 oz de capacidad):

- Verifica si el filtro de sedimentos en el sistema de ósmosis inversa está bloqueado. Reemplaza el filtro si es necesario.
- Permite que el tanque de almacenamiento en el sistema de ósmosis inversa se llene después de un uso intensivo.
- Si persiste el problema con la presión del agua de la ósmosis inversa, llama a un fontanero con licencia y calificado.
- Todas las instalaciones deben cumplir con los requisitos locales del código de fontanería.

PRECAUCIÓN: Usa protección ocular durante la instalación para evitar lesiones.

QUÉ ES NECESARIO

- **Tubo de cobre**, de ¼ de pulgada de diámetro externo, para conectar el refrigerador al suministro de agua. Asegúrate de que ambos extremos del tubo estén cortados en ángulo recto.
- Para determinar cuánto tubo necesitas: mide la distancia desde la válvula de agua en la parte posterior del refrigerador hasta la tubería de suministro de agua. Luego, agrega 8 pies (2.4 m). Asegúrese de que haya suficiente tubería adicional (aproximadamente 8 pies [2.4 m] enrollados en 3 vueltas de aproximadamente 10 pulgadas [25 cm] de diámetro) para permitir que el refrigerador se mueva desde la pared después de la instalación.
- **Taladro eléctrico.**
- **Llave ajustable de ½ pulgada.**
- **Destornilladores de pala y de estrella (Phillips).**
- **Dos tuercas de compresión de ¼ de pulgada de diámetro externo y 2 casquillos (manguitos)** para conectar la tubería de cobre a la válvula de cierre y a la válvula de agua del refrigerador.
- Si tu línea de agua de cobre existente tiene un accesorio con vuelo en el extremo, necesitarás un **adaptador** (disponible en tiendas de suministros de fontanería) para conectar la línea de agua al refrigerador O puedes cortar el accesorio con vuelo con un cortatubos y luego usar un accesorio de compresión.
- **Válvula de cierre para conectarte a la línea de agua fría.** La válvula de cierre debe tener una entrada de agua con un diámetro interior mínimo de 1/32 pulgadas en el punto de conexión con la LÍNEA DE AGUA FRÍA.
Los grifos de cierre tipo silla están incluidos en muchos kits de suministro de agua. Antes de comprar, asegúrate de que un grifo de cierre tipo silla cumpla con los códigos locales de fontanería.
NOTA: No se debe usar un Grifo de Agua Auto Perforante tipo Silla.



⚠ ADVERTENCIA

Peligro de Descarga Eléctrica

Cuando utilice cualquier dispositivo eléctrico (como un taladro eléctrico) durante la instalación, asegúrese de que el dispositivo tenga batería. -alimentado, de doble aislamiento o conectado a tierra de una manera que evite el peligro de una descarga eléctrica.

CONEXIÓN DE LA LÍNEA DE AGUA

INSTRUCCIONES DE INSTALACIÓN

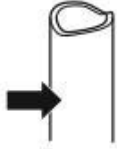
Instala la válvula de cierre en la línea de agua potable de uso frecuente más cercana.

1. CERRAR EL SUMINISTRO DE AGUA PRINCIPAL

Abre el grifo más cercano para liberar la presión de la línea.

2. ELEGIR LA UBICACIÓN DE LA VÁLVULA

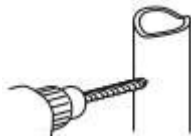
Elige una ubicación para la válvula que sea fácilmente accesible. Es mejor conectarse al lado de una tubería de agua vertical. Cuando sea necesario conectar a una tubería de agua horizontal, realice la conexión en la parte superior o lateral en lugar de en la parte inferior para evitar que se extraiga algún sedimento de la tubería de agua.



3. PERFORAR UN ORIFICIO PARA LA VÁLVULA

Perfore un agujero de ¼ de pulgada en la tubería de agua con una broca afilada.

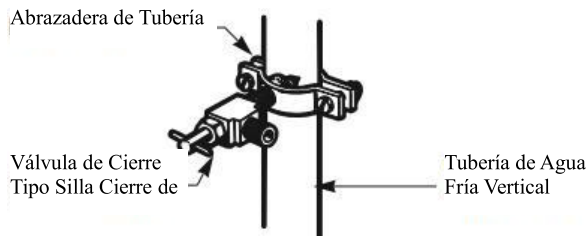
Ten cuidado de no permitir que el agua drene en el taladro. Tenga cuidado de no permitir que el agua drene en el taladro. No perforar un agujero de ¼ de pulgada puede resultar en una producción de hielo reducida o cubos más pequeños.



NOTA: La línea de conexión no puede ser de tubería blanca de plástico. Los fontaneros con licencia deben usar solo tubería de cobre NDA #49595 o 49599 o tubería de polietileno reticulado (PEX).

4. FIJAR LA VÁLVULA DE CIERRE

Fija la válvula de cierre a la tubería de agua fría con la abrazadera del tubo.

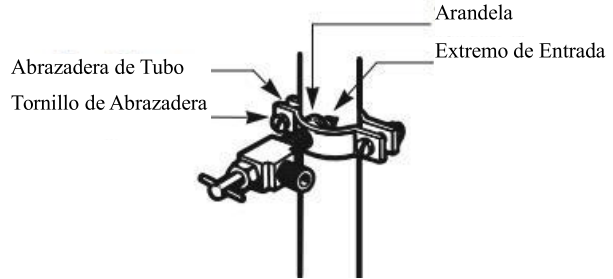


NOTA: Se deben cumplir los Códigos de Plomería 248CMR del Commonwealth de Massachusetts. Las válvulas de silla son ilegales y su uso no está permitido en Massachusetts. Consulta con tu fontanero con licencia.

5. APRETAR LA ABRAZADERA DEL TUBO

Apretar los tornillos de la abrazadera hasta que la junta de sellado comience a hincharse.

NOTA: No aprietes demasiado la abrazadera o podrías aplastar el tubo.



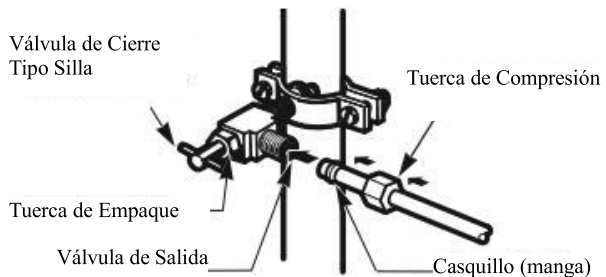
6. RUTA DEL TUBO

Dirige el tubo entre la línea de agua fría y el refrigerador. Dirige el tubo a través de un agujero perforado en la pared o el suelo (detrás del refrigerador o en el gabinete de la base adyacente) lo más cerca posible de la pared.

NOTA: Asegúrese de que haya suficiente tubería adicional (aproximadamente 8 pies enrollados en 3 vueltas de aproximadamente 10 pulgadas de diámetro) para permitir que el refrigerador se mueva desde la pared después de la instalación.

7. CONECTAR EL TUBO A LA VÁLVULA

Coloca la tuerca de compresión y el casquillo (manga) para tubería de cobre en el extremo del tubo y conéctalo a la válvula de cierre. Asegúrate de que el tubo esté completamente insertado en la válvula. Apretar la tuerca de compresión de forma segura.



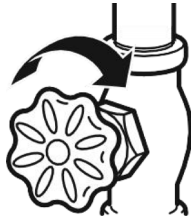
NOTA: Se deben cumplir los Códigos de Plomería 248CMR del Commonwealth de Massachusetts. Las válvulas de silla son ilegales y su uso no está permitido en Massachusetts. Consulta con tu fontanero con licencia.

IMPORTANTE: Usa solo mangueras de agua nuevas, no reutilices mangueras de agua viejas.

8. ENJUAGUE EL TUBO

Abre el suministro de agua principal y enjuaga el tubo hasta que el agua esté clara.

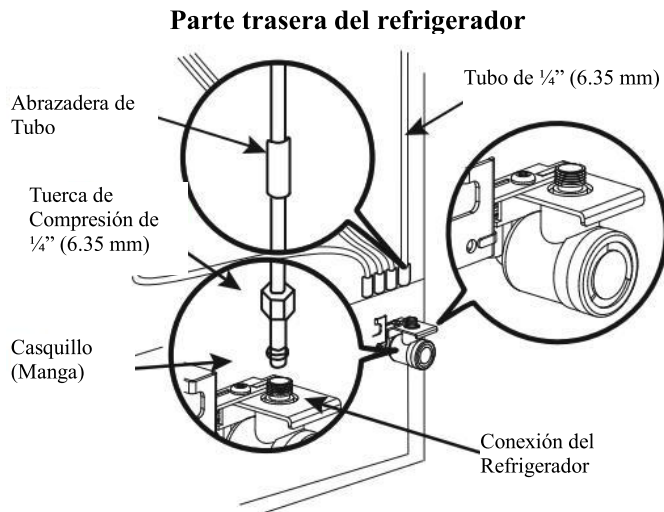
Cierra el agua en la válvula de agua después de que haya pasado aproximadamente un cuarto de agua a través del tubo.



9. CONECTAR EL TUBO AL REFRIGERADOR

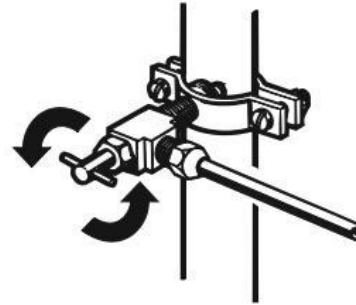
NOTA: Antes de hacer la conexión al refrigerador, asegúrate de que el cable de alimentación del refrigerador no esté enchufado en el tomacorriente.

1. Quitar la tapa de plástico flexible de la válvula de agua.
2. Coloca la tuerca de compresión y el casquillo (manga) en el extremo del tubo como se muestra.
3. Inserta el extremo del tubo de cobre en la conexión lo más posible. Mientras sujetas el tubo, aprieta la conexión.



10. ABRIR EL AGUA EN LA VÁLVULA DE CIERRE

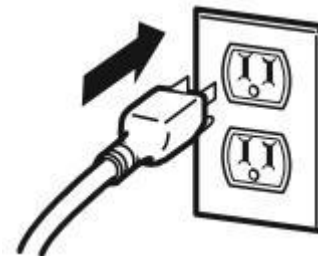
Apretar cualquier conexión que gotee.



⚠ PRECAUCIÓN: Verifica si hay fugas en las conexiones de la línea de agua.

11. ENCHUFAR EL REFRIGERADOR

Acomoda la bobina del tubo para que no vibre contra la parte trasera del refrigerador o la pared. Empuja el refrigerador hacia atrás contra la pared.



12. INICIA LA FABRICACIÓN DE HIELO

El fabricante de hielo no comenzará a funcionar hasta que alcance su temperatura de funcionamiento de 14°F (-10°C) o menos. Luego comenzará a funcionar automáticamente si el botón del fabricante de hielo está en ON.

GUÍA DE SOLUCIÓN DE PROBLEMAS

ENFRIAMIENTO

Antes de realizar la solución de problemas, asegúrate de que se cumplan los siguientes requisitos básicos:

Flujo de Servicio	0.5 gpm (1.9 lpm)
Suministro de Agua	Agua Potable
Presión del Agua	30-100 psi (207 - 689 kPa)
Temperatura del Agua	34°F - 100°F (1°C - 38°C)
Clasificaciones Eléctricas	115 Voltios, 60 Hz, solo CA, y fusible de 15 amperios (mínimo).

Problema	Posibles causas	Soluciones
La sección del refrigerador y del congelador no se enfría.	El cable de alimentación está desconectado.	Conéctalo firmemente a un enchufe activo con el voltaje adecuado.
	El refrigerador está en el ciclo de descongelación.	Durante el ciclo de descongelación, la temperatura de cada compartimento puede subir ligeramente. Espera 30 minutos y confirma que la temperatura adecuada se ha restablecido una vez que se haya completado el ciclo de descongelación.
	El refrigerador fue instalado recientemente.	Puede tomar hasta 24 horas que cada compartimento alcance la temperatura deseada.
	El refrigerador fue trasladado recientemente.	Si el refrigerador estuvo almacenado durante mucho tiempo o se movió de lado, el refrigerador debe permanecer en posición vertical durante 24 horas antes de conectarlo a la corriente.
El sistema de enfriamiento funciona demasiado.	El refrigerador está reemplazando un modelo antiguo.	Los refrigeradores modernos requieren más tiempo de funcionamiento pero utilizan menos energía debido a una tecnología más eficiente.
	El refrigerador fue enchufado recientemente o se restauró la energía.	El refrigerador tomará hasta 24 horas para enfriarse completamente.
	La puerta se abrió con frecuencia o se añadió una gran cantidad de alimentos/calientes.	Agregar alimentos y abrir la puerta calienta el refrigerador, lo que hace que el compresor funcione más tiempo para enfriar el refrigerador nuevamente. Para ahorrar energía, intenta sacar todo lo que necesitas del refrigerador a la vez, mantén los alimentos organizados para que sea fácil encontrarlos y cierra la puerta tan pronto como se retire la comida. (Consulta la Guía de Almacenamiento de Alimentos.)
	Las puertas no están cerradas completamente.	Empuja firmemente las puertas para cerrarlas. Si no cierran completamente, consulta la sección "Las puertas no cierran completamente o se abren" en la solución de problemas de Partes y Características.
	El refrigerador está instalado en un lugar caliente.	El compresor funcionará más tiempo en condiciones cálidas. A temperaturas normales en la habitación (70°F o 21°C), espera que tu compresor funcione alrededor del 40% al 80% del tiempo. En condiciones más cálidas, espera que funcione aún más a menudo. El refrigerador no debe operarse por encima de 110°F (43°C).
	La cubierta trasera del condensador está obstruida.	Utiliza una aspiradora con un accesorio para limpiar la cubierta del condensador y las aberturas. No quites el panel que cubre el área del condensador.

Problema	Posibles causas	Soluciones
El refrigerador o la sección del congelador están demasiado cálidos.	El refrigerador fue instalado recientemente.	Puede tomar hasta 24 horas que cada compartimento alcance la temperatura deseada.
	Las rejillas de ventilación están bloqueadas.	Reorganiza los artículos para permitir que el aire fluya por todo el compartimento. Consulta el diagrama de flujo de aire en la sección "Uso de tu Refrigerador".
	Las puertas se abren con frecuencia o durante mucho tiempo.	Cuando las puertas se abren con frecuencia o durante mucho tiempo, entra aire cálido y húmedo en el compartimento. Esto eleva la temperatura y el nivel de humedad dentro del compartimento. Para reducir el efecto, disminuye la frecuencia y la duración de las aperturas de puertas.
	La unidad está instalada en un lugar caliente.	El refrigerador no debe operarse a temperaturas superiores a 110°F (43°C).
	Se agregó una gran cantidad de alimentos o alimentos calientes a cualquiera de los compartimentos.	Agregar alimentos calientes al compartimento, lo que hace que el sistema de enfriamiento funcione. Permitir que los alimentos calientes se enfríen a temperatura ambiente antes de colocarlos en el refrigerador reducirá este efecto.
	Las puertas no están cerradas correctamente.	Consulta la sección "Las puertas no cierran correctamente o se abren" en la solución de problemas de Partes y Características.
	El control de temperatura no está configurado correctamente.	Si la temperatura es demasiado cálida, ajusta el control un incremento a la vez y espera a que la temperatura se estabilice. Consulta la sección "Configuración de los Controles" para obtener más información.
Acumulación de humedad en el interior.	El ciclo de descongelación se ha completado recientemente.	Durante el ciclo de descongelación, la temperatura de cada compartimento puede subir ligeramente y puede formarse condensación en la pared posterior. Espera 30 minutos y confirma que la temperatura adecuada se ha restablecido una vez que se haya completado el ciclo de descongelación.
	Las puertas se abren con frecuencia o durante mucho tiempo.	Cuando las puertas se abren con frecuencia o durante mucho tiempo, entra aire cálido y húmedo en el compartimento. Esto eleva la temperatura y el nivel de humedad dentro del compartimento. Para reducir el efecto, disminuye la frecuencia y la duración de las aperturas de puertas.
	Las puertas no están cerradas correctamente.	Consulte la sección "Las puertas no se cierran correctamente" en la sección de Solución de problemas.
	El clima es húmedo.	El clima húmedo permite que entre humedad adicional en los compartimentos cuando se abren las puertas, lo que lleva a la condensación o formación de hielo. Mantener un nivel razonable de humedad en el hogar ayudará a controlar la cantidad de humedad que puede entrar en los compartimentos.
	El ciclo de descongelación se ha completado recientemente.	Durante el ciclo de descongelación, la temperatura de cada compartimento puede subir ligeramente y puede formarse condensación en la pared posterior. Espera 30 minutos y confirma que se ha restablecido la temperatura adecuada una vez que se haya completado el ciclo de descongelación.
Los alimentos no están empaquetados correctamente.	Alimentos almacenados sin cubrir o sin envolver, y envases húmedos pueden llevar a la acumulación de humedad dentro de cada compartimento. Seca todos los envases y almacena los alimentos en envases sellados para evitar la condensación y la formación de hielo.	

ENFRIAMIENTO/HIELO Y AGUA

Problema	Posibles causas	Soluciones
Los alimentos se congelan en el compartimento del refrigerador.	Se colocaron alimentos con alto contenido de agua cerca de una rejilla de ventilación.	Reorganiza los artículos con alto contenido de agua lejos de las rejillas de ventilación.
	El control de temperatura del refrigerador está configurado incorrectamente.	Si la temperatura es demasiado fría, ajusta el control un incremento a la vez y espera a que la temperatura se estabilice. Consulta la sección "Configuración de los Controles" para obtener más información.
	El refrigerador está instalado en un lugar demasiado frío.	Cuando el refrigerador funciona a una temperatura inferior a 50°F (10°C), los alimentos pueden congelarse en el compartimento del refrigerador.
Se forman escarcha o cristales de hielo en los alimentos congelados (fuera del paquete).	La puerta se abre con frecuencia o durante períodos prolongados.	Cuando las puertas se abren con frecuencia o durante mucho tiempo, entra aire cálido y húmedo en el compartimento. Esto eleva la temperatura y el nivel de humedad dentro del compartimento. Un aumento de la humedad conducirá a la formación de hielo y condensación. Para reducir el efecto, disminuye la frecuencia y la duración de las aperturas de puertas.
	La puerta no se cierra correctamente.	Consultar la sección de "Las puertas no cierran correctamente o se abren" en la sección de Solución de Problemas.
El compartimento del refrigerador o del congelador está demasiado frío.	Configuraciones incorrectas del control de temperatura.	Si la temperatura es demasiado fría, ajusta el control un incremento a la vez y espera a que la temperatura se estabilice. Consulta la sección "Configuración de los Controles" para obtener más información.
Escarcha o cristales de hielo en los alimentos congelados (dentro del paquete sellado).	La condensación de alimentos con alto contenido de agua se ha congelado dentro del paquete de alimentos.	Esto es normal para alimentos con alto contenido de agua.
	Los alimentos han estado en el congelador durante mucho tiempo.	No almacenes alimentos con alto contenido de agua en el congelador durante mucho tiempo.
La máquina de hielo no produce suficiente hielo.	La demanda supera la capacidad de almacenamiento de hielo.	La máquina de hielo producirá aproximadamente 3.9 libras de cubos de hielo en 24 horas.
	El suministro de agua de la casa no está conectada, la válvula no está completamente abierta o la válvula está obstruida.	Conecta el refrigerador a un suministro de agua fría con presión adecuada y abre completamente la válvula de cierre de agua. Si el problema persiste, puede ser necesario contactar a un fontanero.
	Presión baja del suministro de agua de la casa.	La presión del agua debe estar entre 20 y 100 psi (138-689 kPa) en modelos sin filtro de agua y entre 30 y 100 psi (207-689 kPa) en modelos con filtro de agua. Si el problema persiste, puede ser necesario contactar a un fontanero.
	Se utiliza un sistema de filtración de ósmosis inversa.	Los sistemas de filtración de ósmosis inversa pueden reducir la presión del agua por debajo del mínimo y provocar problemas con la máquina de hielo. (Consulta la sección de Presión de Agua.)
	El tubo que conecta el refrigerador con la válvula de suministro de la casa está doblado.	El tubo puede doblarse cuando el refrigerador se mueve durante la instalación o la limpieza, lo que resulta en un flujo de agua reducido. Endereza o repara la línea de suministro de agua y arréglala para evitar dobleces futuros.

Problema	Posibles causas	Soluciones
La máquina de hielo no produce suficiente hielo (continuación).	Las puertas se abren con frecuencia o durante mucho tiempo.	Si las puertas de la unidad se abren con frecuencia, el aire ambiente calentará el refrigerador, lo que evitará que la unidad mantenga la temperatura establecida. Reducir la temperatura del refrigerador puede ayudar, así como no abrir las puertas con tanta frecuencia.
	Las puertas no están cerradas completamente.	Si las puertas no están correctamente cerradas, la producción de hielo se verá afectada. Consulta la sección "Las puertas no cierran completamente o se abren" en la solución de problemas de Partes y Características para obtener más información.
	La configuración de temperatura para el congelador es demasiado cálida.	La temperatura recomendada para el compartimento del congelador para una producción normal de hielo es de 0°F. Si la temperatura del congelador es más cálida, se verá afectada la producción de hielo.
La máquina de hielo no está haciendo hielo.	El refrigerador fue instalado recientemente y la máquina de hielo se conectó recientemente.	Puede tomar hasta 24 horas para que cada compartimento alcance la temperatura deseada y para que la máquina de hielo comience a producir hielo.
	La máquina de hielo no está encendida.	Localiza el botón de la máquina de hielo en la pantalla y confirma que esté configurado en ON.
	El sensor de detección de hielo está obstruido.	Sustancias extrañas o escarcha en el sensor de detección de hielo pueden interrumpir la producción de hielo. Asegúrate de que el área del sensor esté siempre limpia para un funcionamiento adecuado.
	El refrigerador no está conectado a un suministro de agua o la válvula de cierre de suministro no está completamente abierta.	Conecta el refrigerador al suministro de agua y abre completamente la válvula de cierre de agua.
	El cierre de la máquina de hielo (brazo o sensor) está obstruido.	Si tu máquina de hielo está equipada con un brazo de cierre de hielo, asegúrate de que el brazo se mueva libremente. Si tu máquina de hielo está equipada con el sensor electrónico de cierre de hielo, asegúrate de que haya un camino claro entre los dos sensores.
	El sistema de filtración de agua por ósmosis inversa está conectado a tu suministro de agua fría.	Los sistemas de filtración de ósmosis inversa pueden reducir la presión del agua por debajo del mínimo y provocar problemas con la máquina de hielo. (Consulta la sección de Presión de Agua.)
El hielo tiene un mal sabor u olor.	El suministro de agua contiene minerales como el azufre.	Puede ser necesario instalar un filtro de agua para eliminar problemas de sabor y olor. NOTA: En algunos casos, un filtro puede no ayudar. Puede que no sea posible eliminar todos los minerales/olor/sabor en todos los suministros de agua.
	La máquina de hielo fue instalada recientemente.	Descarta los primeros lotes de hielo para evitar hielo descolorido o con mal sabor.
	El hielo ha sido almacenado durante demasiado tiempo.	El hielo que ha sido almacenado durante demasiado tiempo se encogerá, se volverá turbio y puede desarrollar un sabor rancio. Desecha el hielo viejo y haz una nueva provisión.
	Los alimentos no han sido almacenados correctamente en ninguno de los compartimentos.	Vuelve a envolver los alimentos. Los olores pueden migrar al hielo si los alimentos no están envueltos correctamente.
	El interior del refrigerador necesita ser limpiado.	Consulta la sección de Cuidado y Limpieza para obtener más información.
	El depósito de almacenamiento de hielo necesita ser limpiado.	Vacía y lava el depósito (desecha los cubos viejos). Asegúrate de que el depósito esté completamente seco antes de reinstalarlo.

HIELO Y AGUA

Problema	Posibles causas	Soluciones
El agua tiene un mal sabor u olor.	L suministro de agua contiene minerales como el azufre.	Puede ser necesario instalar un filtro de agua para eliminar problemas de sabor y olor.
	El filtro de agua se ha agotado.	Se recomienda que reemplaces el filtro de agua: <ul style="list-style-type: none"> • Aproximadamente cada 6 meses. • Cuando se encienda el indicador del filtro de agua. • Cuando la salida del dispensador de agua disminuya. • Cuando los cubos de hielo sean más pequeños de lo normal.
	El refrigerador fue instalado recientemente.	Despacha 2.5 galones (9.5 l) de agua (enjuague durante aproximadamente 5 minutos) para eliminar el aire atrapado y los contaminantes del sistema. No despaches todo el volumen de 2.5 galones (9.5 l) de forma continua. Presiona y suelta la almohadilla del dispensador en ciclos de 30 segundos ENCENDIDO y 60 segundos APAGADO.
La máquina de hielo está produciendo demasiado hielo.	El cierre de la máquina de hielo (brazo/sensor) está obstruido.	Vacíe el recipiente de hielo. Si su fabricante de hielo está equipado con un brazo de cierre de hielo, asegúrese de que el brazo se mueva libremente. Si tu máquina de hielo está equipada con el sensor electrónico de cierre de hielo, asegúrate de que haya un camino claro entre los dos sensores. Vuelve a instalar el depósito de hielo y espera 24 horas para confirmar un funcionamiento adecuado.

Problema	Posibles causas	Soluciones
Clics	El control de descongelación hará clic cuando comience y termine el ciclo automático de descongelación. El control del termostato (o control del refrigerador en algunos modelos) también hará clic al encenderse y apagarse.	Operación Normal
Ruido a Carraspeo	Los ruidos a carraspeo pueden provenir del flujo de refrigerante, la línea de agua en la parte posterior de la unidad o artículos almacenados encima o alrededor del refrigerador.	Operación Normal
	El refrigerador no está apoyado sólidamente en el piso.	El piso es débil o desigual o las patas niveladoras deben ajustarse. Consulta la sección de Alineación de Puertas.
	El refrigerador con un compresor lineal fue sacudido mientras estaba en funcionamiento.	Operación Normal
Silbidos	El motor del ventilador evaporador circula aire a través de los compartimentos del refrigerador y del congelador.	Operación Normal
	El ventilador del condensador fuerza el aire sobre el condensador.	Operación Normal
Gorgoteo	Refrigerante fluyendo a través del sistema de enfriamiento.	Operación Normal
Estallidos	Contracción y expansión de las paredes internas debido a cambios de temperatura.	Operación Normal
Chisporroteo	Agua goteando sobre el calentador de descongelación durante un ciclo de descongelación.	Operación Normal
Vibración	Si el costado o la parte posterior del refrigerador toca un gabinete o una pared, algunas de las vibraciones normales pueden generar un sonido audible.	Para eliminar el ruido, asegúrate de que los lados y la parte posterior no puedan vibrar contra ninguna pared o gabinete.
Goteo	El agua corre hacia la bandeja de drenaje durante el ciclo de descongelación.	Operación Normal
Pulsación o Sonido Agudo	Tu refrigerador está diseñado para funcionar de manera más eficiente para mantener tus alimentos a la temperatura deseada. El compresor de alta eficiencia puede hacer que su nuevo refrigerador funcione más tiempo que el antiguo, pero sigue siendo más eficiente en energía que los modelos anteriores. Mientras el refrigerador está en funcionamiento, es normal escuchar un sonido pulsante o agudo.	Operación Normal

PARTES Y CARACTERÍSTICAS

Problema	Posibles causas	Soluciones
Las puertas no cierran correctamente o se abren.	Los paquetes de alimentos bloquean la puerta abierta.	Reorganiza los contenedores de alimentos para despejar la puerta y los estantes de la puerta.
	Los cubos de hielo, las cubiertas de las gavetas, las sartenes, los estantes, los contenedores de la puerta o las cestas están fuera de posición.	Empuja los contenedores y coloca las cubiertas de las gavetas, las sartenes, los estantes y las cestas en sus posiciones correctas. Consulta la sección de Uso de tu Refrigerador para obtener más información.
	Las puertas fueron retiradas durante la instalación del producto y no se volvieron a colocar correctamente.	Retira y vuelve a colocar las puertas según la sección de Retirar y Volver a Colocar Manijas y Puertas del Refrigerador.
	El refrigerador no está nivelado correctamente.	Consulta la Alineación de la Puerta en la sección de Instalación de Refrigeración para nivelar el refrigerador.
Las puertas son difíciles de abrir.	Las juntas están sucias o pegajosas.	Limpia las juntas y las superficies que tocan. Frota una capa delgada de pulimento para electrodomésticos o cera de cocina en las juntas después de limpiar.
	La puerta se cerró recientemente.	Cuando abres la puerta, entra aire más cálido en el refrigerador. A medida que el aire cálido se enfría, puede crear un vacío. Si la puerta es difícil de abrir, espera un minuto para permitir que la presión del aire se iguale, luego verifica si se abre más fácilmente.
El refrigerador se tambalea o parece inestable.	Las patas niveladoras no están ajustadas correctamente.	Consulta la sección de Nivelación y Alineación de Puertas.
	El piso no está nivelado.	Puede ser necesario agregar calzas debajo de las patas niveladoras o rodillos para completar la instalación.
Las luces no funcionan.	Una bombilla se ha quemado. NOTA: La lámpara del compartimento del refrigerador es una iluminación interior LED, y el servicio debe ser realizado por un técnico calificado.	Consulta la sección de Reemplazo de Bombillas.

Use & Care Guide

Manual de Uso y Cuidado

Guide d'utilisation et d'entretien

Kenmore®

French door Refrigerator

Refrigerador de Dos Puertas

Réfrigérateur à portes françaises

#,* = color number, número de color, numéro de couleur

Models/Modelos/MODELES: 17.5 cf 897.7552# 20.3 cf 897.7551#

P/N BCD-513WI BCD-595WI
Transform SR Brands Management LLC
Hoffman Estates, IL, U.S.A. 60179 U.S.A
www.kenmore.com



TABLE DES MATIÈRES

ENREGISTREMENT DU PRODUIT	3	ENTRETIEN ET NETTOYAGE	25
Garantie limitée Kenmore	4	CONSEILS GÉNÉRAUX DE NETTOYAGE	25
CONSIGNES IMPORTANTES DE SÉCURITÉ	5	EXTÉRIEUR	25
EXIGENCES EN MATIÈRE D'ÉLECTRICITÉ ET		PAROIS INTÉRIEURES	25
DE MISE À LA TERRE	7	DOUBLURES DE PORTE ET JOINTS	
PIÈCES ET CARACTÉRISTIQUES	8	D'ÉTANCHÉITÉ	25
INSTALLATION DU RÉFRIGÉRATEUR	10	PIÈCES EN PLASTIQUE	25
DÉBALLAGE DU RÉFRIGÉRATEUR	10	SERPENTINS DU CONDENSEUR	25
INSTALLATION	11	REMPACEMENT DE LA LAMPE DEL	26
RETRAIT ET REMPLACEMENT DES PORTES		COUPURES DE COURANT	26
DU RÉFRIGÉRATEUR	13	LORSQUE VOUS PARTEZ EN VACANCES	26
MISE A NIVEAU	16	LORSQUE VOUS DÉMÉNAGEZ	26
ALIGNEMENT DES PORTES	16	RACCORDEMENT DE LA CONDUITE D'EAU	27
RACCORDEMENT DE LA CONDUITE D'EAU ..	17	GUIDE DE DÉPANNAGE	30
UTILISATION DE VOTRE RÉFRIGÉRATEUR	18	Contact de service en dernière page.....	Dos de couverture
RÉGLAGE DES COMMANDES	18		
CARACTÉRISTIQUES DU PANNEAU DE			
CONTRÔLE	18		
MACHINE À GLAÇONS AUTOMATIQUE	21		
GUIDE DE CONSERVATION DES ALIMENTS ..	23		
BACS DE PORTE POUR			
RÉFRIGÉRATEUR/CONGÉLATEUR	24		
TIROIRS ET COUVERCLE DU RÉFRIGÉRATEUR			
.....	24		
CLAYETTES DU RÉFRIGÉRATEUR/			
CONGÉLATEUR	24		

ENREGISTREMENT DU PRODUIT

Dans l'espace ci-dessous, inscrivez les données d'achat, le modèle et le numéro de série de votre produit. Le modèle et le numéro de série sont imprimés sur une étiquette d'identification située sur le revêtement intérieur du compartiment réfrigérateur. Ayez ces renseignements à portée de main lorsque vous communiquez avec Sears au sujet de votre produit.

N° de modèle _____

Date d'achat _____

N° de série. _____

Conservez ces instructions et joignez votre reçu de caisse pour référence ultérieure.

Garantie limitée Kenmore

Les produits Kenmore® sont vendus et distribués par Kenmore et les distributeurs et licenciés agréés Kenmore dans différents pays.

Pour plus d'informations sur la garantie limitée et le fournisseur agréé applicable à votre produit et à votre pays, veuillez consulter : <https://www.kenmore.com/warranty-information/>

Pour obtenir une copie imprimée, veuillez nous contacter au 1-844-553-6667 ou à l'adresse ci-dessous :

*ATTN: Kenmore Warranty Request
5407 Trillium Suite B120
Hoffman Estates, IL 60192*

CONSIGNES IMPORTANTES DE SÉCURITÉ

MESURES DE SÉCURITÉ ÉLÉMENTAIRES

Ce guide présente de nombreuses instructions importantes en matière de sécurité. **Lisez et observez** toujours toutes les instructions de sécurité.



Ceci est le symbole d'alerte de sécurité. Il vous signale les messages de sécurité qui vous informent des dangers susceptibles de vous tuer, de vous blesser ou de blesser d'autres personnes, ou d'endommager le produit.

Tous les messages de sécurité sont précédés du symbole d'alerte de sécurité et des mentions DANGER, AVERTISSEMENT ou ATTENTION. Ces mentions signifient :



DANGER

Le non-respect des instructions **va** entraîner la mort ou des blessures graves.



AVERTISSEMENT

Le non-respect des instructions **peut** entraîner la mort ou des blessures graves.



ATTENTION

Indique une situation dangereuse imminente qui, si elle n'est pas évitée, **pourrait** entraîner des blessures légères ou modérées, ou endommager le produit.

Tous les messages de sécurité identifient le danger, indiquent comment réduire le risque de blessure et précisent ce qui peut se produire si les instructions ne sont pas suivies.

⚠ AVERTISSEMENT

Pour réduire les risques d'incendie, d'électrocution ou de blessure lors de l'utilisation de votre produit, il convient de respecter les mesures de sécurité de base, notamment les suivantes.

Lisez toutes les instructions avant d'utiliser cet appareil.

- Ne débranchez JAMAIS votre réfrigérateur en tirant sur le cordon d'alimentation. Saisissez toujours la fiche fermement et tirez-la directement hors de la prise.
- Réparez ou remplacez immédiatement tous les cordons d'alimentation effilochés ou endommagés. N'utilisez pas un cordon qui présente des fissures ou des dommages dus à l'abrasion sur toute sa longueur ou à l'extrémité de la fiche ou du connecteur.
- Ne modifiez pas ou n'allongez pas la longueur du cordon d'alimentation. Cela pourrait provoquer une électrocution ou un incendie.
- Lorsque vous éloignez votre réfrigérateur du mur, veillez à ne pas enrouler ou endommager le cordon d'alimentation.
- L'isolation de cet appareil contient du cyclopentane ou un gaz similaire au pentane qui est inflammable et nécessite un processus d'élimination spécial. Avant de cesser d'utiliser ce réfrigérateur, contactez les autorités locales pour organiser l'élimination de l'appareil en toute sécurité.

- NE PAS entreposer ni utiliser d'essence ou d'autres vapeurs et liquides inflammables à proximité de cet appareil ou de tout autre appareil.
- NE PAS conserver de substances explosives telles que des bombes aérosols contenant des gaz propulseurs inflammables dans cet appareil.
- NE PAS laisser les enfants grimper, se tenir debout ou s'accrocher aux portes ou aux étagères du réfrigérateur. Ils pourraient endommager le réfrigérateur et se blesser gravement.
- Gardez les doigts à l'écart des zones de pincement ; les espaces libres entre les portes et les armoires sont nécessairement réduits. Veillez à fermer les portes lorsque des enfants se trouvent à proximité.
- Débranchez votre réfrigérateur avant de le nettoyer ou d'effectuer des réparations.

REMARQUE : Il est fortement recommandé de faire appel à un technicien qualifié pour toute réparation.

CONSERVEZ CES INSTRUCTIONS

⚠ AVERTISSEMENT

- Avant de procéder à l'entretien de l'éclairage LED intérieur, débranchez le réfrigérateur ou coupez le courant au niveau du disjoncteur ou de la boîte à fusibles.

REMARQUE : Les éclairages des compartiments du réfrigérateur et du congélateur sont des éclairages intérieurs à diodes électroluminescentes (DEL) et leur entretien doit être effectué par un technicien qualifié.

- ⚠ **AVERTISSEMENT :** Le fait de mettre l'une ou l'autre ou les deux commandes sur la position OFF ne coupe pas l'alimentation du circuit d'éclairage.

- **Lorsque vous avez terminé**, rebranchez le réfrigérateur à la source électrique et remettez les commandes (thermostat, commande du réfrigérateur et/ou commande du congélateur, selon le modèle) au réglage souhaité.
- Ce réfrigérateur doit être correctement installé conformément aux instructions de l'installateur qui ont été collées à l'avant du réfrigérateur.
- Lorsque le réfrigérateur fonctionne, ne touchez pas les surfaces froides du compartiment congélateur si vos mains sont humides ou mouillées. La peau peut adhérer aux surfaces extrêmement froides.

- **AVERTISSEMENT :** Risque de cancer lié à l'exposition au phtalate de di-iso-nonyle - www.65AVERTISSEMENT.s.ca.gov.

- Ne touchez pas le mécanisme de fabrication automatique de glace lorsque le réfrigérateur est branché.

- **NE PAS** recongeler des aliments congelés qui ont été complètement décongelés. Le ministère américain de l'agriculture, dans son bulletin Home and Garden Bulletin No. 69, indique que

...Vous pouvez recongeler en toute sécurité des aliments congelés qui ont été décongelés s'ils contiennent encore des cristaux de glace ou s'ils sont encore froids (moins de 39,2°F).

...**Les viandes hachées, les volailles** ou les poissons décongelés qui présentent une odeur ou une couleur anormale ne doivent pas être recongelés et ne doivent pas être consommés. Les glaces décongelées doivent être jetées. Si l'odeur ou la couleur d'un aliment est mauvaise ou douteuse, jetez-le. Si l'odeur ou la couleur d'un aliment est mauvaise ou douteuse, jetez-le.

La décongélation et la recongélation, même partielles, réduisent la qualité gustative des aliments, en particulier des fruits, des légumes et des aliments préparés. La qualité alimentaire des viandes rouges est moins affectée que celle de nombreux autres aliments. Utilisez les aliments recongelés dès que possible pour préserver au maximum leur qualité.

CONSERVEZ CES INSTRUCTIONS

⚠ ATTENTION

Cet appareil n'est pas destiné à être utilisé par des personnes (y compris des enfants) dont les capacités physiques, sensorielles ou mentales sont réduites, ou qui manquent d'expérience et de connaissances, à moins qu'elles n'aient reçu une surveillance ou des instructions concernant l'utilisation de l'appareil par une personne responsable de leur sécurité.

d'expérience et de connaissances, à moins qu'elles n'aient reçu une surveillance ou des instructions concernant l'utilisation de l'appareil de la part d'une personne responsable de leur sécurité.

Les enfants doivent être surveillés afin de s'assurer qu'ils ne jouent pas avec l'appareil.

⚠ DANGER : RISIS OF CHILD ENTRAPMENT

Les réfrigérateurs mis au rebut ou abandonnés sont dangereux, même s'ils ne sont restés que quelques jours. Si vous vous débarrassez de votre vieux réfrigérateur, suivez les instructions ci-contre pour éviter les accidents (piégeage et étouffement des enfants).



AVANT DE JETER VOTRE ANCIEN RÉFRIGÉRATEUR OU CONGÉLATEUR :

- **Enlevez les portes.**
- Laissez les clayettes en place pour que les enfants ne puissent pas facilement entrer à l'intérieur.

ÉLIMINATION DES CFC/HCFC

Votre ancien réfrigérateur est peut-être équipé d'un système de refroidissement utilisant des CFC ou des HCFC (chlorofluorocarbures ou hydrochlorofluorocarbures). On pense que les CFC et les HCFC nuisent à l'ozone stratosphérique s'ils sont libérés dans l'atmosphère. D'autres réfrigérants peuvent également nuire à l'environnement s'ils sont libérés dans l'atmosphère.

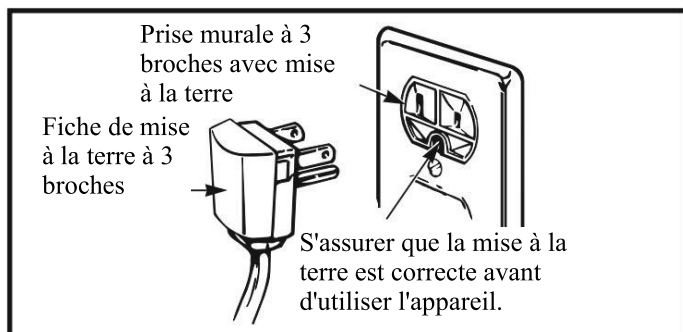
Si vous vous débarrassez de votre vieux réfrigérateur, assurez-vous que le fluide frigorigène est retiré par un technicien qualifié en vue d'une élimination appropriée. Si vous libérez intentionnellement du réfrigérant, vous risquez des amendes et des peines d'emprisonnement en vertu des dispositions de la législation sur l'environnement.

EXIGENCES EN MATIÈRE D'ÉLECTRICITÉ ET DE MISE À LA TERRE

IMPORTANT : Veuillez lire attentivement.
POUR RACCORDER L'ÉLECTRICITÉ

⚠ AVERTISSEMENT

Risque d'électrocution
POUR VOTRE SÉCURITÉ PERSONNELLE, cet appareil doit être correctement mis à la terre. Faites vérifier la prise murale et le circuit par un électricien qualifié pour vous assurer que la prise est correctement mise à la terre.



MÉTHODE DE MISE À LA TERRE RECOMMANDÉE

Le réfrigérateur doit toujours être branché sur une prise électrique individuelle correctement mise à la terre, d'une puissance de 115 volts, 60 Hz, en courant alternatif uniquement, et protégée par un fusible de 15 ampères (au minimum). Cela permet d'obtenir les meilleures performances et d'éviter de surcharger les circuits électriques de la maison, ce qui pourrait entraîner un risque d'incendie en raison de la surchauffe des fils. Il est recommandé de prévoir un circuit séparé desservant uniquement cet appareil.

Utilisez une prise de courant qui ne peut pas être éteinte par un interrupteur ou une chaîne de traction. N'utilisez pas de rallonge.

Lorsque vous rencontrez une prise murale standard à deux broches, il est de votre responsabilité personnelle et de votre obligation de la faire remplacer par une prise murale à trois broches correctement mise à la terre.

UTILISATION DE RALLONGES

⚠ AVERTISSEMENT : N'utilisez pas de rallonges ou d'adaptateurs non mis à la terre (à deux broches). En raison des risques potentiels pour la sécurité dans certaines conditions, l'utilisation d'une rallonge n'est pas recommandée. Toutefois, si vous décidez d'utiliser une rallonge, il est absolument nécessaire qu'il s'agisse d'une rallonge homologuée UL (États-Unis), à 3 fils avec mise à la terre, dotée d'une fiche et d'une prise de terre, et que la puissance électrique de la rallonge soit de 15 ampères (au minimum) et de 120 volts.

L'utilisation d'une rallonge augmentera le dégagement nécessaire à l'arrière du réfrigérateur.

⚠ ATTENTION

- Ne pliez pas excessivement le cordon d'alimentation et ne placez pas d'objets lourds dessus.
- Ne pliez pas le cordon d'alimentation de manière excessive et ne placez pas d'objets lourds dessus.
- Lorsque vous déplacez le réfrigérateur, veillez à ne pas rouler ou endommager le cordon d'alimentation.
- Si le cordon d'alimentation est endommagé, faites-le remplacer immédiatement par le fabricant ou son agent de service.
- Si le cordon d'alimentation est endommagé, faites-le remplacer immédiatement par le fabricant ou son agent de service.
- Ne pas introduire les mains dans la zone située sous le fond de l'appareil.
- Assurez-vous que la fiche d'alimentation n'est pas écrasée ou endommagée par l'arrière du réfrigérateur.

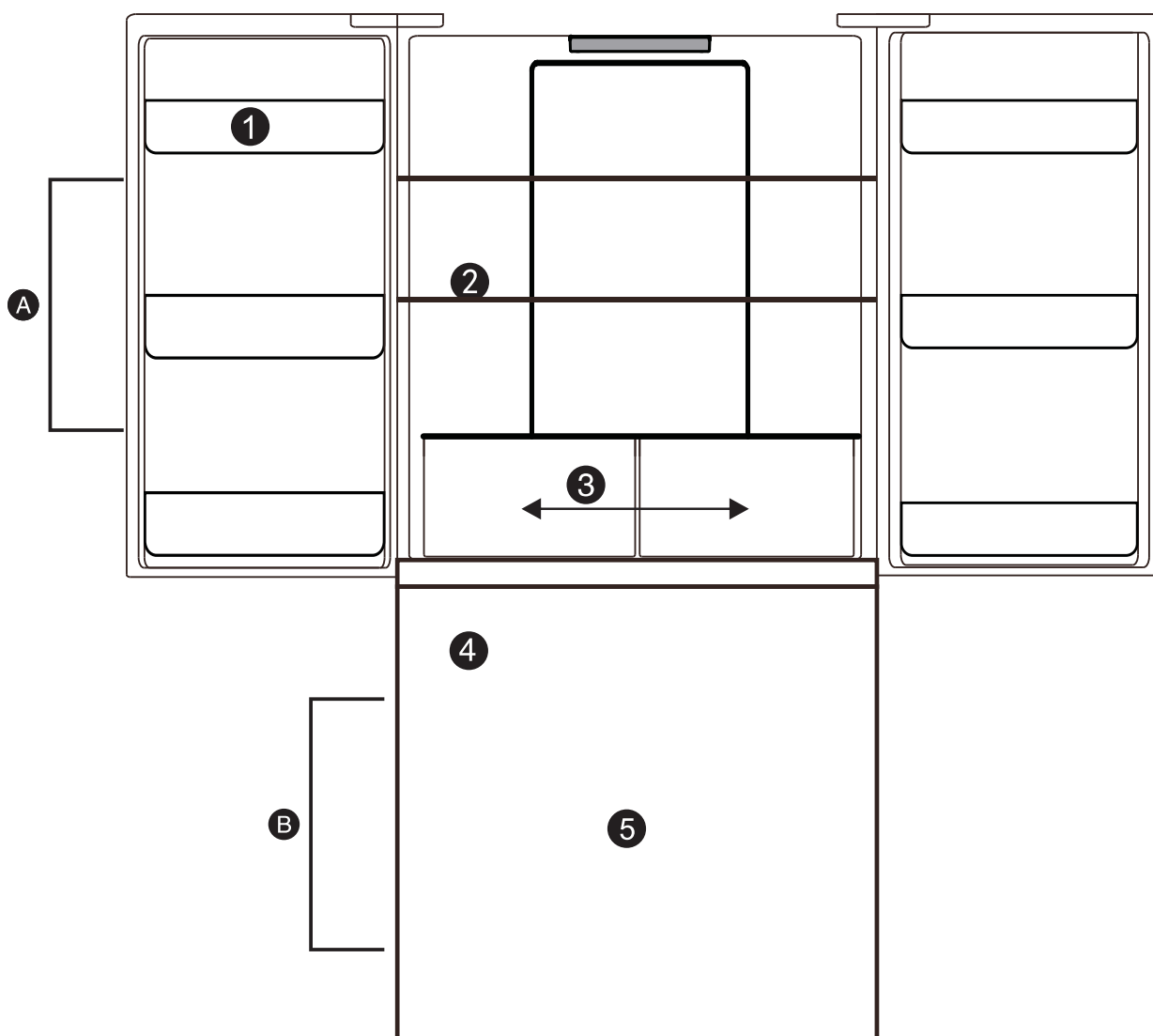
⚠ AVERTISSEMENT

Remplacement du cordon électrique

Pour éviter tout risque, les cordons d'alimentation endommagés doivent être remplacés par le fabricant, son agent de service ou un technicien qualifié. Ne pas faire fonctionner l'appareil avec un cordon d'alimentation endommagé.

PIÈCES ET CARACTÉRISTIQUES

Modèle : 17.5 cf 897.7552#



Cette page vous permet de vous familiariser avec les pièces et les caractéristiques du réfrigérateur.

REMARQUE : Ce guide couvre plusieurs modèles différents. Le réfrigérateur que vous avez acheté peut comporter tout ou partie des éléments énumérés ci-dessous. L'emplacement des éléments illustrés ci-dessous peut ne pas correspondre à votre modèle.

A Compartiment du réfrigérateur

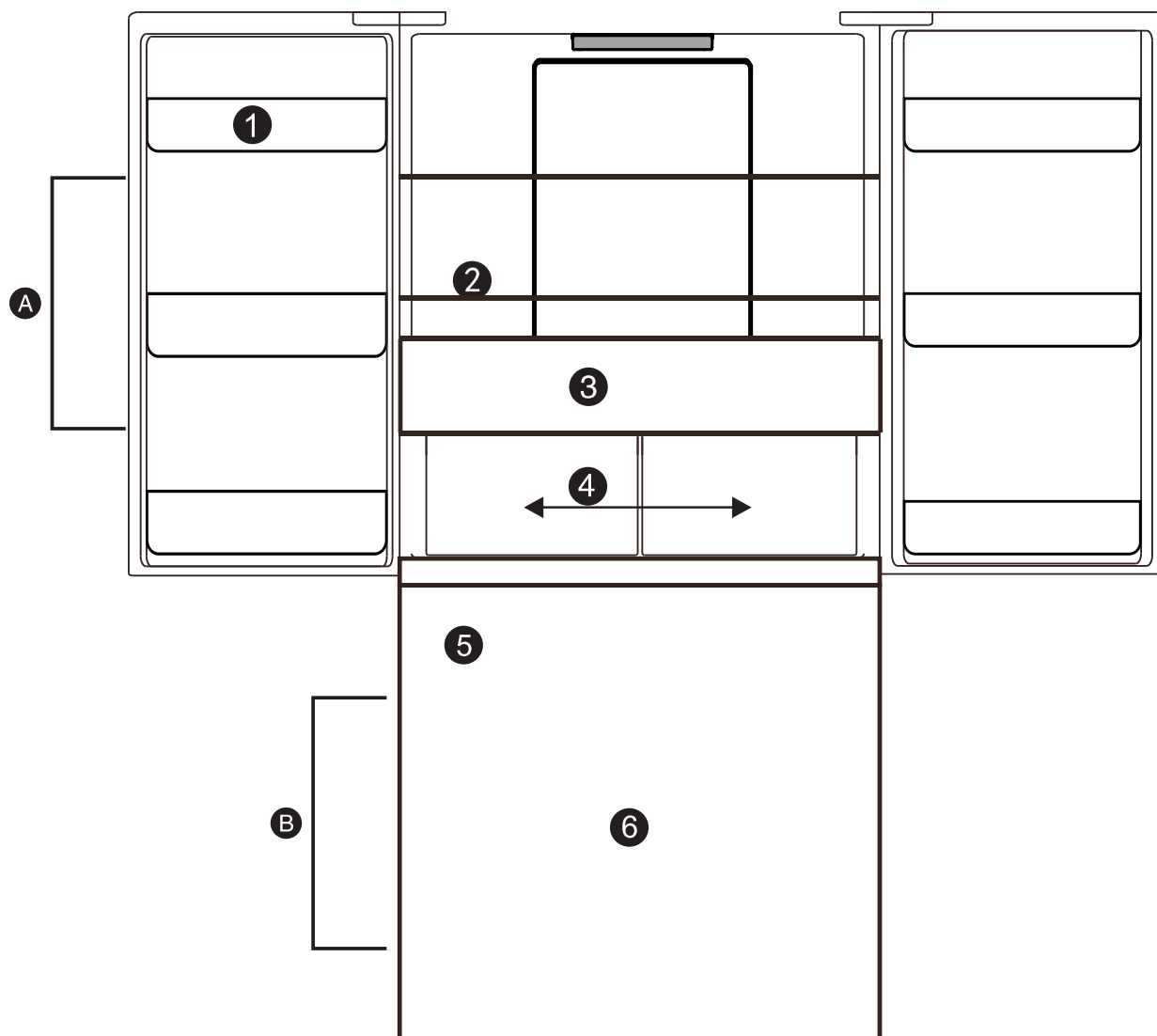
- 1 Porte du réfrigérateur Bacs
- 2 Clayettes en verre
- 3 Bac à légumes

B Compartiment congélateur

- 4 Machine à glaçons (à l'intérieur)
- 5 Tiroir de congélation

PIÈCES ET CARACTÉRISTIQUES

Modèle : 20.3 cf 897.7551#



Cette page vous permet de vous familiariser avec les pièces et les caractéristiques du réfrigérateur.

REMARQUE : Ce guide couvre plusieurs modèles différents. Le réfrigérateur que vous avez acheté peut comporter tout ou partie des éléments énumérés ci-dessous. L'emplacement des éléments illustrés ci-dessous peut ne pas correspondre à votre modèle.

A Compartiment du réfrigérateur

1. Porte du réfrigérateur Bacs
2. Clayettes en verre
3. Bac à légumes large
4. Bac à légumes

B Compartiment congélateur

- 5 Machine à glaçons (à l'intérieur)
- 6 Tiroir de congélation

INSTALLATION DU RÉFRIGÉRATEUR

⚠ AVERTISSEMENT

Poids excessif :

Deux personnes ou plus sont nécessaires pour déplacer et installer le réfrigérateur. Le non-respect de cette consigne peut entraîner des lésions dorsales ou autres.

⚠ AVERTISSEMENT

Poids excessif :

Le réfrigérateur est lourd. Lorsque vous déplacez le réfrigérateur pour le nettoyer ou l'entretenir, veillez à protéger le sol.

Tirez toujours le réfrigérateur tout droit lorsque vous le déplacez. Ne bougez pas et ne marchez pas sur le réfrigérateur lorsque vous essayez de le déplacer, car vous risquez d'endommager le sol.

DÉBALLAGE DU RÉFRIGÉRATEUR

Retirez le ruban adhésif et les étiquettes temporaires du réfrigérateur avant de l'utiliser. Ne retirez pas les étiquettes d'avertissement, l'étiquette du modèle et du numéro de série, ni la fiche technique située sous l'avant du réfrigérateur, derrière la grille de la base.

Enlevez les restes de ruban adhésif ou de colle en frottant vigoureusement la zone avec le pouce. Les résidus de ruban adhésif ou de colle peuvent également être facilement éliminés en frottant une petite quantité de liquide vaisselle sur l'adhésif avec les doigts. Essuyez avec de l'eau tiède et séchez.

N'utilisez pas des outils tranchants, de l'alcool à friction, des liquides inflammables ou des nettoyants abrasifs pour enlever le ruban adhésif ou la colle. Ces produits peuvent endommager la surface du réfrigérateur.

Les clayettes du réfrigérateur sont installées dans la position d'expédition. Veuillez réinstaller les clayettes en fonction de vos besoins de stockage individuels.

REMARQUE :

Cet appareil est destiné à être utilisé dans des applications domestiques et similaires telles que :

- les cuisines du personnel dans les magasins, les bureaux et autres environnements de travail
- les fermes et les clients des hôtels, motels et autres environnements résidentiels
- les chambres d'hôtes
- la restauration et d'autres applications similaires non destinées à la vente au détail.

Ce produit ne doit pas être utilisé à des fins spéciales telles que le stockage de médicaments ou de matériel d'essai, ou pour une utilisation sur des navires, etc.

⚠ AVERTISSEMENT

Risque d'explosion :

Éloignez les matériaux et les vapeurs inflammables, tels que l'essence, du réfrigérateur. Le non-respect de cette consigne peut entraîner un incendie, une explosion ou la mort.

⚠ AVERTISSEMENT

Soyez prudent lorsque vous manipulez la charnière, le bouchon, etc. Vous risquez de vous blesser.
 Pour éviter tout risque de blessure ou d'électrocution, n'introduisez pas vos mains ou des objets métalliques dans les orifices d'aération ou l'ouverture inférieure du réfrigérateur.

⚠ AVERTISSEMENT

Risque d'électrocution :
 Pour réduire le risque d'électrocution, n'installez pas le réfrigérateur dans un endroit humide ou mouillé.

INSTALLATION

Le réfrigérateur doit toujours être branché sur une prise électrique individuelle correctement mise à la terre, d'une puissance de 115 volts, 60 Hz, en courant alternatif uniquement, et protégée par un fusible de 15 ampères (au minimum). Cela permet d'obtenir les meilleures performances et d'éviter de surcharger les circuits électriques de la maison, ce qui pourrait entraîner un risque de surchauffe des fils. Il est recommandé de prévoir un circuit séparé desservant uniquement cet appareil.

1. Pour éviter les bruits et les vibrations, l'appareil doit être mis à niveau et installé sur un support solide. Si nécessaire, ajustez les pieds de nivellement pour compenser les irrégularités du sol. L'avant doit être légèrement plus haut que l'arrière pour faciliter la fermeture de la porte. L'avant doit être légèrement plus haut que l'arrière pour faciliter la fermeture de la porte. Les pieds de réglage peuvent être tournés facilement en inclinant légèrement l'armoire. Tournez les pieds de réglage dans le sens inverse des aiguilles d'une montre pour élever l'appareil ou dans le sens des aiguilles d'une montre pour l'abaisser. (Voir MISE A NIVEAU ET ALIGNEMENT DES PORTES.)

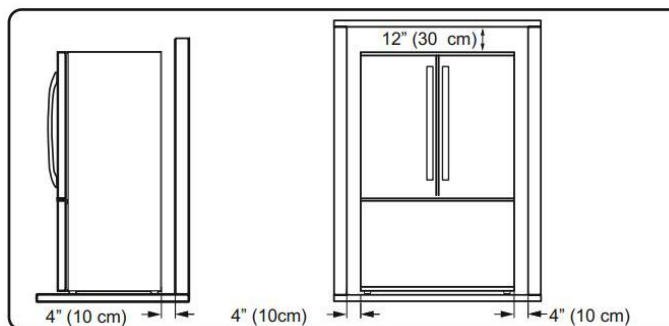
REMARQUE : Il n'est pas recommandé d'installer l'appareil sur de la moquette, du carrelage souple, une plate-forme ou une structure faiblement soutenue.

2. Installez cet appareil dans un endroit où la température est comprise entre 10°C (50°F) et 43°C (110°F). Si la température autour de l'appareil est trop basse ou trop élevée, la capacité de refroidissement peut en être affectée.

3. Choisissez un endroit où l'alimentation en eau peut être facilement raccordée à la machine à glaçons automatique.

REMARQUE : La pression de l'eau doit être comprise entre 20 et 100 psi (138 - 689kPa) pour les modèles sans filtre à eau et entre 30 et 100 psi (207 - 689kPa) pour les modèles avec filtre à eau.

4. Une distance trop faible par rapport aux éléments adjacents peut entraîner une diminution de la capacité de congélation et une augmentation des frais de consommation d'électricité. Laissez au moins 40 cm devant le réfrigérateur pour ouvrir les portes.



INSTALLATION DU RÉFRIGÉRATEUR

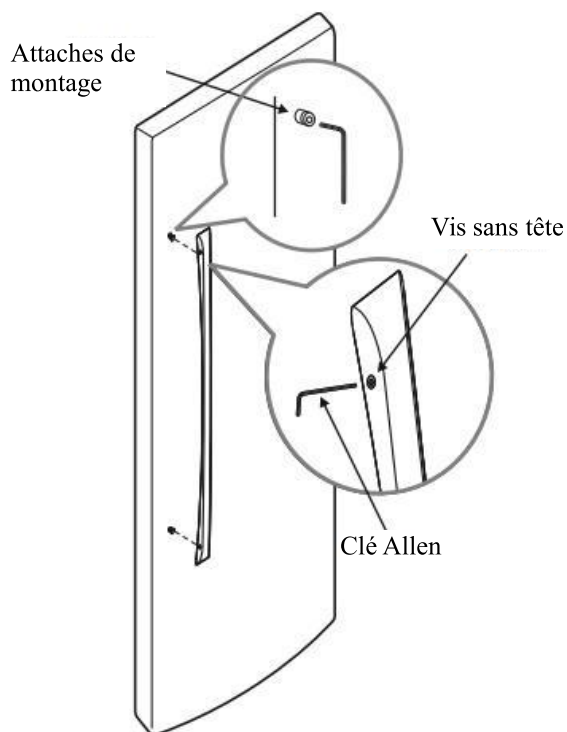
REMARQUE : Il est recommandé d'enlever les portes lorsqu'il est nécessaire de faire passer le réfrigérateur par une ouverture étroite. Si vous devez retirer les poignées, suivez les instructions ci-dessous.

COMMENT RETIRER LA POIGNÉE DE LA PORTE DU RÉFRIGÉRATEUR

REMARQUE : La présentation de la poignée peut varier par rapport aux illustrations de cette page.

Retrait de la poignée du réfrigérateur

Desserrez toutes les vis à l'aide d'une clé Allen de 2,5 mm et retirez la poignée.



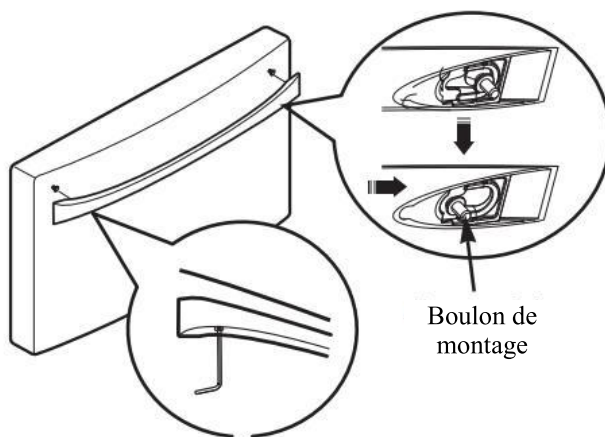
COMMENT REMPLACER LA POIGNÉE DU TIROIR DE CONGÉLATION

REMARQUE : La présentation de la poignée peut varier par rapport aux illustrations de cette page.

Remplacement de la poignée du tiroir de congélation

Placer l'extrémité droite de la poignée sur le boulon de montage situé sur le côté droit du Tiroir de congélation et faire glisser délicatement la poignée vers la droite jusqu'à ce qu'elle s'arrête.

Abaissez l'extrémité gauche de la poignée sur le boulon de montage du côté gauche. Utilisez une clé hexagonale de 2,5 mm pour serrer la vis sans tête afin de fixer la poignée en place.



⚠ AVERTISSEMENT

Lors du montage ou du démontage des poignées :

- Saisissez la poignée fermement pour vous assurer qu'elle ne tombera pas et ne causera pas de blessures.
- Empêchez la poignée de se balancer vers des personnes ou des animaux à proximité.
- Insérez les empreintes de la poignée sur les fixations de montage de la porte et serrez les vis hexagonales pour fixer la poignée en place.
- Vérifiez qu'il n'y a pas d'espace entre la porte et la poignée une fois que la poignée est fixée en place.

RETRAIT ET REMPLACEMENT DES PORTES DU RÉFRIGÉRATEUR

⚠ AVERTISSEMENT

Poids excessif :

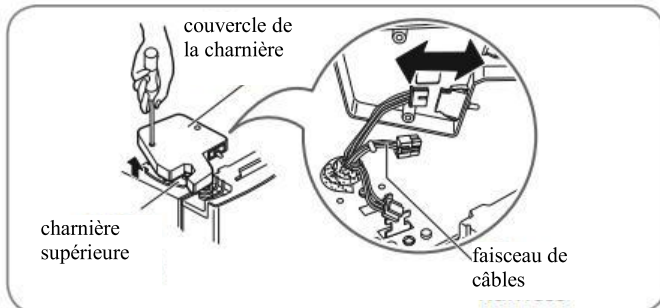
Deux personnes ou plus sont nécessaires pour retirer et installer les portes du réfrigérateur. Le non-respect de cette consigne peut entraîner des lésions dorsales ou autres.

⚠ AVERTISSEMENT

Risque d'électrocution

- Coupez l'alimentation électrique du réfrigérateur avant de l'installer. Le non-respect de cette consigne peut entraîner des blessures graves, voire mortelles.
- Ne mettez pas les mains, les pieds ou d'autres objets dans les orifices d'aération ou dans le fond du réfrigérateur. Vous pourriez vous blesser ou recevoir une décharge électrique.

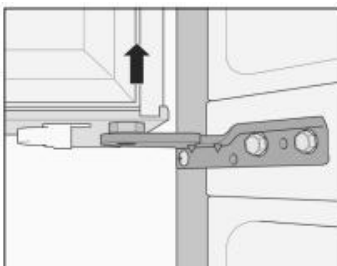
Retrait de la porte gauche/droite (réfrigérateur)



1. Ouvrez la porte. Retirez la vis du couvercle de la charnière supérieure.
2. Utilisez un tournevis à lame plate pour dégager les crochets (non illustrés) du couvercle de la charnière du haut de l'armoire du réfrigérateur. Soulevez le couvercle.
3. Débranchez tous les faisceaux de câbles (porte gauche).

⚠ ATTENTION : Lors du dégagement de la charnière du loquet, veillez à ce que la porte ne tombe pas vers l'avant.

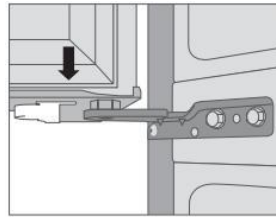
4. Soulever la porte à partir de l'axe de la charnière centrale et retirer la porte. Placez la porte, face intérieure vers le haut, sur une surface non rayable.



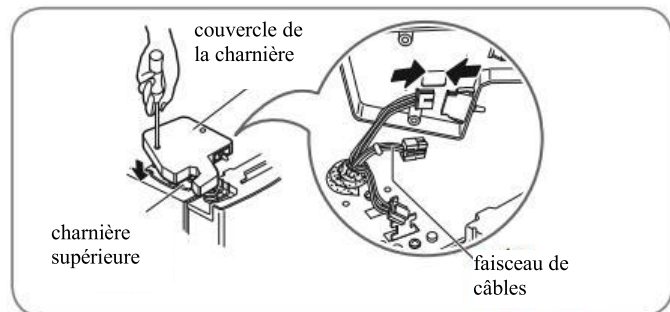
5. Répétez les étapes 1 à 4 pour retirer la porte droite.

RÉINSTALLATION DES PORTES DU RÉFRIGÉRATEUR

1. Placez la porte sur l'axe de la charnière centrale.



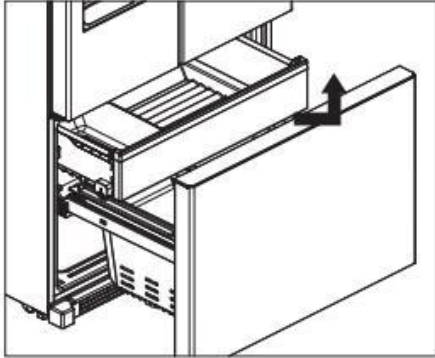
2. Reconnectez tous les faisceaux de câbles (porte droite). Mettez le couvercle en place. Insérez et serrez la vis du couvercle.



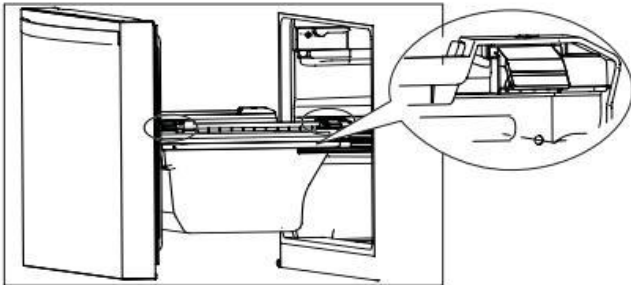
RETIRER DU TIROIR DE CONGÉLATION (Modèle : 17.5 CF 897.7552#)

▲ AVERTISSEMENT : Le retrait et l'installation du tiroir de congélation doivent être effectués par au moins deux personnes. Le non-respect de cette consigne peut entraîner des blessures corporelles, des dommages au produit ou des dégâts matériels.

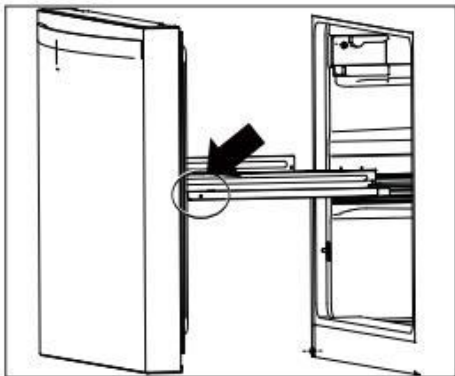
1. Retirez d'abord le bac à glace, puis le tiroir de congélation supérieur en le soulevant.



2. Il y a au total 4 clips dans le tiroir. 1 clip à l'avant et un autre à l'arrière de chaque côté. Déverrouillez les 4 clips et retirez le panier de congélation du tiroir.



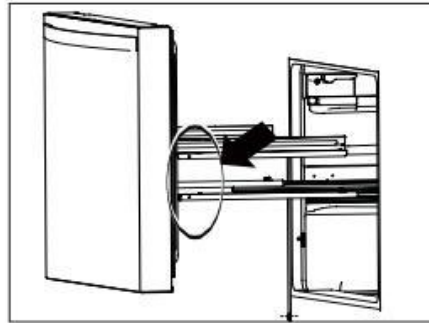
3. A l'aide d'un tournevis "philips", dévisser les vis de part et d'autre du rail puis retirer la porte du congélateur.



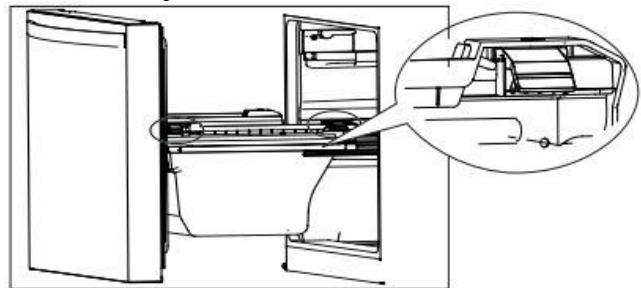
4. Tirez sur le tiroir extérieur du congélateur pour dégager complètement le rail de l'appareil. Faites appel à deux personnes pour cette tâche car la porte est lourde et difficile à manipuler.

INSTALLER LE TIROIR DE CONGÉLATION

1. Alignez les rails de guidage et serrez les vis.



2. Insérez le panier du tiroir de congélation dans sa position et appuyez sur les deux clips de chaque côté pour le verrouiller en place.



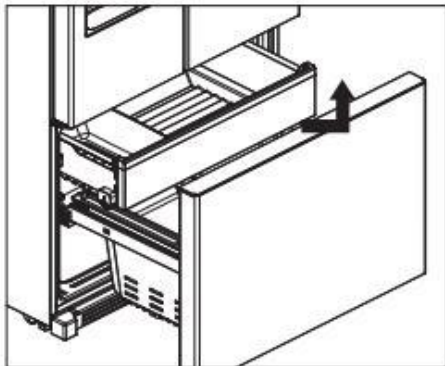
3. Insérez le tiroir de congélation supérieur au-dessus du panier inférieur, ouvrez et fermez le tiroir de congélation plusieurs fois pour vous assurer que le fonctionnement est régulier et que l'étanchéité est constante tout autour du compartiment congélateur.

▲ ATTENTION : Ne tenez pas la poignée lorsque vous retirez ou remettez le tiroir en place. La poignée pourrait se détacher et **causer** des blessures.

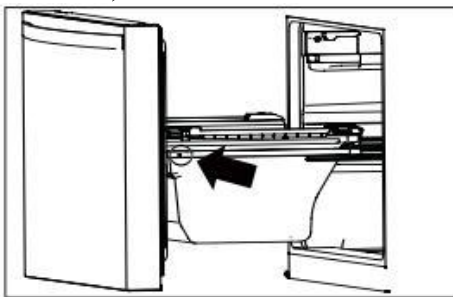
RETIRER LE TIROIR DE CONGÉLATION (Modèle : 20.3 cf 897.7551#)

▲ AVERTISSEMENT : Le retrait et l'installation du tiroir de congélation doivent être effectués par au moins deux personnes. Le non-respect de cette consigne peut entraîner des blessures corporelles, des dommages au produit ou des dégâts matériels.

1. Retirez d'abord le bac à glace, puis le Tiroir de congélation supérieur en le soulevant.



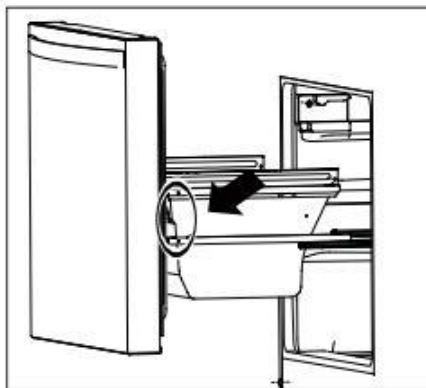
2. Le panier de congélation inférieur ne peut pas être retiré séparément.
3. À l'aide d'un tournevis, dévissez les vis des deux côtés du rail et retirez la porte du congélateur et le tiroir inférieur ensemble ;



4. Tirez sur le tiroir extérieur du congélateur pour dégager complètement le rail de l'appareil. Il est conseillé de se faire aider par deux personnes pour cette tâche, car la porte est lourde et difficile à manipuler.

INSTALLER LE TIROIR DE CONGÉLATION

1. Lors de l'installation, placez d'abord le tiroir inférieur sur le rail, puis alignez et installez le rail, et serrez les vis des deux côtés du rail ;



2. Insérez le tiroir de congélation supérieur au-dessus du panier inférieur, ouvrez et fermez le Tiroir de congélation plusieurs fois pour vous assurer que le fonctionnement est régulier et que l'étanchéité est constante tout autour du compartiment congélateur.

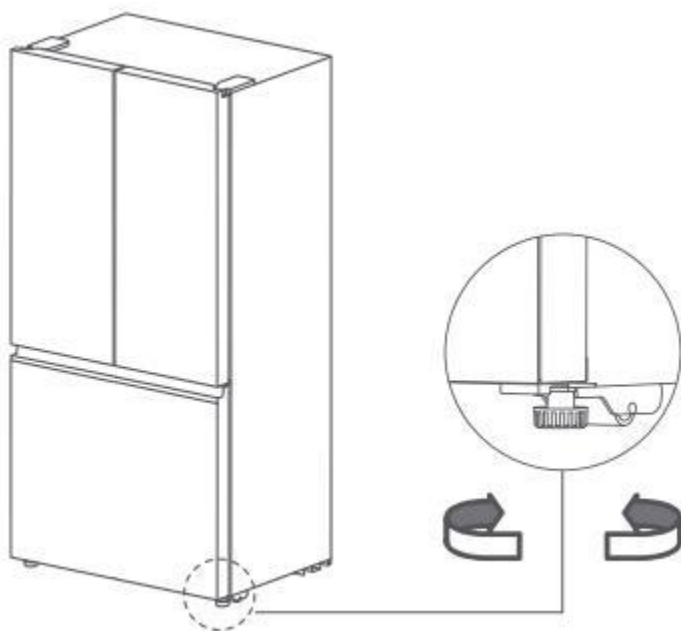
▲ ATTENTION : Ne tenez pas la poignée lorsque vous retirez ou remettez le tiroir en place. La poignée pourrait se détacher et causer des blessures.

MISE A NIVEAU

Après l'installation, branchez le cordon d'alimentation du réfrigérateur dans une prise de courant à 3 broches reliée à la terre et poussez le réfrigérateur dans sa position finale.

Votre réfrigérateur est équipé de deux pieds de nivellement avant, l'un à droite et l'autre à gauche. Réglez les pieds pour modifier l'inclinaison d'avant en arrière ou d'un côté à l'autre. Si votre réfrigérateur semble instable ou si vous souhaitez que les portes se ferment plus facilement, réglez l'inclinaison du réfrigérateur en suivant les instructions ci-dessous :

1. Tournez le pied de réglage dans le sens inverse des aiguilles d'une montre pour relever ce côté du réfrigérateur ou dans le sens des aiguilles d'une montre pour l'abaisser. Plusieurs tours de la jambe de réglage peuvent être nécessaires pour ajuster l'inclinaison du réfrigérateur.



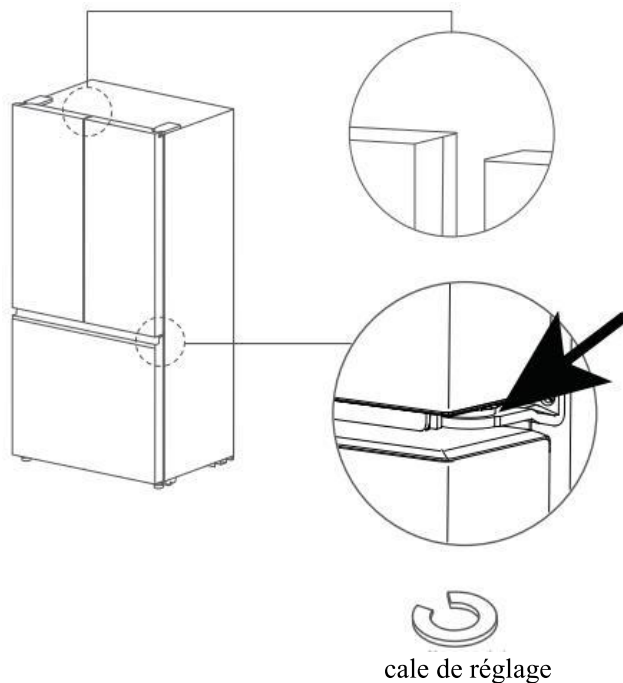
REMARQUE : Le fait de pousser vers l'arrière le haut du réfrigérateur permet de soulager les pieds de réglage. Il est ainsi plus facile de régler les pieds.

2. Ouvrez à nouveau les deux portes et vérifiez qu'elles se ferment facilement. Si les portes ne se ferment pas facilement, inclinez légèrement le réfrigérateur vers l'arrière en tournant les deux pieds de réglage dans le sens inverse des aiguilles d'une montre. Cela peut prendre plusieurs tours supplémentaires et vous devez tourner les deux pieds de réglage de la même manière.

ALIGNEMENT DES PORTES

Si les portes sont toujours inégales après la mise à niveau du réfrigérateur, terminez le réglage des portes en suivant les instructions ci-dessous.

1. Sortez la cale réglable du kit d'instructions.
2. Soulever légèrement la porte inférieure avec la main.
3. Placer la cale de réglage entre la porte et la charnière à l'aide de la main ou d'une pince.



RACCORDEMENT DE LA CONDUITE D'EAU

⚠ AVERTISSEMENT

Poids excessif :

Deux personnes ou plus sont nécessaires pour retirer et installer les portes du réfrigérateur. Le non-respect de cette consigne peut entraîner des lésions dorsales ou autres.

⚠ AVERTISSEMENT

Risque d'électrocution

- Coupez l'alimentation électrique du réfrigérateur avant de l'installer. Le non-respect de cette consigne peut entraîner des blessures graves, voire mortelles.
- Ne mettez pas les mains, les pieds ou d'autres objets dans les orifices d'aération ou dans le fond du réfrigérateur. Vous pourriez vous blesser ou recevoir une décharge.

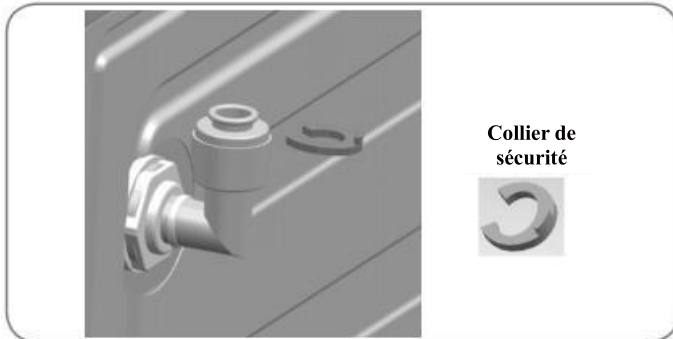
Raccordement de la conduite d'eau



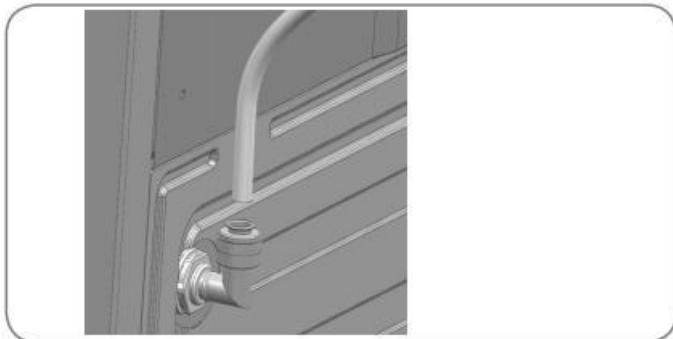
Étape 1 : Retirez le capuchon anti-poussière.



Étape 4 : Remettez en place le collier de sécurité.



Étape 2 : Retirez le collier de sécurité.



Étape 3 : Connecter le tube souple en PE.

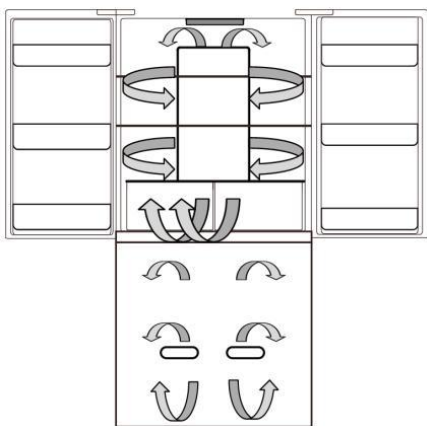
RÉGLAGE DES COMMANDES

La commande du réfrigérateur sert de thermostat pour l'ensemble de l'appareil (sections réfrigérateur et congélateur). Plus le réglage est froid, plus le compresseur fonctionnera longtemps pour maintenir la température froide. La commande du congélateur règle le flux d'air froid du congélateur vers le réfrigérateur.

Si vous réglez la commande du congélateur à une température plus basse, l'air froid restera plus longtemps dans le Compartiment congélateur, ce qui le rendra plus froid.

DÉBIT D'AIR

L'air froid circule du congélateur vers le compartiment des aliments frais et vice-versa, grâce à des bouches d'aération situées dans la paroi séparant les deux compartiments. Veillez à ne pas obstruer les bouches d'aération lorsque vous chargez votre réfrigérateur. Cela limiterait la circulation de l'air et risquerait de rendre la température du réfrigérateur trop élevée ou de provoquer une accumulation d'humidité à l'intérieur de l'appareil. (Voir le diagramme ci-dessous).



IMPORTANT :

Comme l'air circule entre les deux sections, les odeurs qui se sont formées dans l'une des sections se transmettent à l'autre. Vous devez nettoyer soigneusement les deux sections pour éliminer les odeurs.

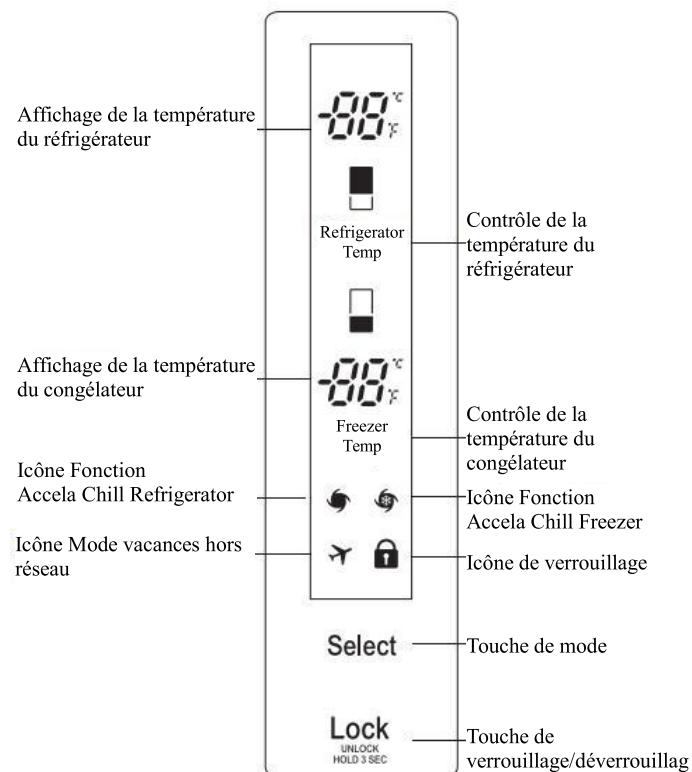
Pour éviter le transfert d'odeurs et le dessèchement des aliments, emballez ou couvrez les aliments hermétiquement. (Voir la section Guide de conservation des aliments pour plus de détails).

REMARQUE : Si vous fermez la porte du réfrigérateur, il se peut que la porte du congélateur s'ouvre et se referme sous l'effet de la pression exercée par le flux d'air interne.

AVANT L'UTILISATION

1. Nettoyez soigneusement votre réfrigérateur et enlevez la poussière accumulée pendant le transport.
2. Installez les accessoires tels que le bac à glaçons, les tiroirs, les clayettes, etc. à leur place. Ils sont emballés ensemble pour éviter tout dommage pendant le transport.
3. Laissez votre réfrigérateur fonctionner pendant au moins 2 ou 3 heures avant d'y placer des aliments. Vérifiez la circulation de l'air froid dans le compartiment congélateur pour vous assurer qu'il est bien refroidi. Votre réfrigérateur est maintenant prêt à l'emploi.

CARACTÉRISTIQUES DU PANNEAU DE CONTRÔLE



Votre appareil dispose d'une seule commande pour régler la température. La commande de température est située sur le côté de la porte du Compartiment du réfrigérateur.

La température par défaut est affichée en Fahrenheit lorsque l'appareil est mis sous tension pour la première fois. Appuyez sur le bouton "Select" et maintenez-le enfoncé pendant 5 secondes pour passer de °C à °F. Les autres boutons utilisent la même méthode pour passer d'un mode à l'autre.

Plage de température de consigne : Mode degrés Celsius

1. Plage de température du réfrigérateur : 0~6°C (valeur par défaut 3°C)
2. Plage de température du congélateur : -23~-15°C (valeur par défaut -19°C)

Plage de température de consigne : Mode degrés Fahrenheit

1. Plage de température du réfrigérateur : 32~43°F (valeur par défaut 38°F)
2. Plage de température du congélateur : -10~5°F (valeur par défaut -2°F)

La première fois que vous mettez l'appareil en marche, il démarre à la température par défaut réglée en usine, soit 38°F ou 3°C dans le compartiment du réfrigérateur et -2°F ou -19°C dans le compartiment congélateur.

La première fois que vous mettez l'appareil en marche, réglez la température du compartiment réfrigérateur à 34°F et laissez-le fonctionner pendant au moins 4 heures avant d'y placer des aliments. Cela permet de s'assurer que le compartiment congélateur est bien refroidi et que le compartiment du réfrigérateur est stabilisé avant d'y placer des aliments. Réglez ensuite la température à la température souhaitée.

Pour régler la température dans chaque zone, appuyez sur la touche de la zone concernée, celle-ci clignote et s'éteint. La température change en fonction des températures préréglées, comme indiqué ci-dessous. Vous entendrez un son de cloche à chaque fois que vous appuyerez sur les boutons du panneau de commande.

Mode verrouillage

Le mode verrouillage du panneau de commande est conçu pour empêcher toute modification des réglages du réfrigérateur.

Pour activer le verrouillage, appuyez sur la touche de verrouillage, l'icône LOCK s'allume.

Le panneau de commande reste verrouillé jusqu'à ce qu'il soit déverrouillé à partir du panneau de commande ou en cas de coupure de courant.

Pour désactiver le verrouillage, appuyez sur la touche de verrouillage pendant environ 3 secondes jusqu'à ce que l'icône LOCK s'éteigne et que le panneau de contrôle fonctionne en mode normal.

Mode veille

Le PANNEAU DE CONTRÔLE s'éteint au bout d'environ 20 secondes si aucune entrée n'a été effectuée.

Pour réactiver l'affichage, il suffit d'appuyer sur l'une des touches du panneau de commande.

Fonction Accela Chill Freezer

Ce mode permet de régler la température du congélateur à -10°F ou -23°C pour une baisse rapide de la température lors du stockage de grandes quantités d'aliments chauds ou à température ambiante dans le congélateur. L'appareil reste en mode Accela Chill Freezer

pendant 24 heures ou jusqu'à ce que la température atteigne -10°F ou -23°C, puis revient au réglage d'origine, ou jusqu'à ce que la fonction soit désactivée à partir du panneau de commande. Les fonctions Accela Chill Refrigerator et Accela Chill Freezer peuvent fonctionner simultanément.

Pour activer la fonction Accela Chill Freezer, appuyez sur la touche de fonction jusqu'à ce que l'icône Accela Chill Freezer s'allume. L'icône reste allumée lorsqu'elle est activée.

Pour désactiver la fonction Accela Chill Freezer, appuyez sur le bouton de fonction jusqu'à ce que l'icône Accela Chill Freezer soit éteinte.

Fonction Accela Chill Refrigerator

Ce mode règle la température du réfrigérateur sur 32° F ou 0°C pour une baisse rapide de la température lors du stockage de grandes quantités d'aliments chauds ou à température ambiante dans le réfrigérateur. L'appareil reste en mode Accela Chill Refrigerator pendant 2 heures et 30 minutes ou jusqu'à ce que la température atteigne 32°F ou 0°C, puis revient au réglage d'origine ou jusqu'à ce que la fonction soit désactivée à partir du panneau de commande.

Les fonctions Accela Chill Refrigerator et Accela Chill Freezer peuvent fonctionner simultanément.

Pour activer la fonction Accela Chill Refrigerator, appuyez sur la touche de fonction jusqu'à ce que l'icône Accela Chill Refrigerator s'allume.

L'icône reste allumée lorsqu'elle est activée.

Pour désactiver la fonction Accela Chill Refrigerator, appuyez sur la touche de fonction jusqu'à ce que l'icône Accela Chill Refrigerator soit éteinte.

Mode vacances

Utilisez ce mode lorsque vous partez pour de longues périodes, où vous retirerez la grande majorité du contenu du réfrigérateur mais laisserez du contenu dans le congélateur. Le mode Vacances règle automatiquement la température du réfrigérateur à 6°C (43°F) et celle du congélateur à -15°C (5°F). L'appareil reste en mode Vacances jusqu'à ce que cette fonction soit désactivée sur le panneau de commande.

Pour activer le mode VACANCES, appuyez sur la touche de fonction jusqu'à ce que l'icône du mode VACANCES s'allume.

L'icône reste allumée lorsqu'elle est activée. Pour désactiver le mode VACANCES, appuyez sur la touche de fonction jusqu'à ce que l'icône du mode VACANCES s'éteigne.

Alarme de porte

Lorsque le réfrigérateur est sous tension, l'alarme de porte s'active.

Lorsque la porte du réfrigérateur ou du congélateur reste ouverte pendant plus de 60 secondes, l'alarme retentit pour vous signaler que la porte est ouverte.

Lorsque vous fermez la porte, l'alarme s'arrête.

Mode sabbat

1. Comment passer en mode Sabbat :

Lorsque le congélateur est ouvert, appuyez sur la touche de température du réfrigérateur et sur la touche de verrouillage pendant 10 secondes.

2. En mode Sabbat :

- Il n'y a pas d'alarme d'ouverture de porte ;
- Les voyants DEL des compartiments réfrigérateur et congélateur sont éteints ;
- Le panneau d'affichage ne s'affiche pas, sauf s'il est réglé manuellement,
- Le réfrigérateur répond à la demande normale de réfrigération ;

3. Comment quitter le mode Sabbat :

- Lorsque le congélateur est ouvert, appuyez sur la touche de température du réfrigérateur + la touche de verrouillage et maintenez-les enfoncées pendant 10 secondes pour quitter manuellement le mode,
- Lorsque la période de fonctionnement du mode Sabbat dépasse 80 heures, le mode Sabbat est automatiquement désactivé.

*En mode Sabbat, l'appareil continue d'afficher et d'émettre de la lumière quand on touche le panneau, mais il s'éteint après 20 secondes d'inactivité ou après l'ouverture et la fermeture de la porte une fois.

Réglage des paramètres de contrôle

Avant de procéder aux derniers réglages, laissez au réfrigérateur le temps de refroidir complètement. Il est préférable d'attendre 24 heures pour que les réglages normaux (recommandés dans la section Température) se stabilisent avant d'effectuer des modifications. Si vous devez ajuster la température du réfrigérateur ou du congélateur, commencez par ajuster la température du réfrigérateur et attendez 24 heures pour que la température se stabilise à nouveau. Si elle est toujours trop chaude ou trop froide, réglez la température du congélateur.

Utilisez les réglages indiqués dans le tableau ci-dessous comme guide. N'oubliez pas d'attendre au moins 24 heures entre chaque réglage.

ÉTAT/CAUSE	RÉGLAGE RECOMMANDÉ
<p>La section du RÉFRIGÉRATEUR est trop chaude.</p> <ul style="list-style-type: none"> La porte est souvent ouverte. Grande quantité d'aliments ajoutée. La température de la pièce est très élevée. 	<ul style="list-style-type: none"> Réglez la commande du RÉFRIGÉRATEUR un degré plus froid ; attendez 24 heures pour que le nouveau réglage prenne tout son effet avant de procéder à un autre réglage.
<p>Le compartiment du congélateur est trop chaud/la glace n'est pas produite assez rapidement.</p> <ul style="list-style-type: none"> La porte est souvent ouverte. Grande quantité d'aliments ajoutée. Température de la pièce très froide (50°F (10°C)). (Le compresseur n'effectue pas assez de cycles). Utilisation importante de glace. Les orifices d'aération sont obstrués 	<ul style="list-style-type: none"> Réglez la commande du FREEZER un degré plus froid ; attendez 24 heures pour que le nouveau réglage prenne tout son effet avant de procéder à un autre réglage. Enlevez les objets qui bouchent le flux d'air.
<p>Le compartiment du RÉFRIGÉRATEUR est trop froid.</p> <ul style="list-style-type: none"> Les commandes ne sont pas réglées correctement pour vos conditions. 	<ul style="list-style-type: none"> Réglez la commande du RÉFRIGÉRATEUR à un degré plus chaud ; attendez 24 heures pour que le nouveau réglage prenne tout son effet avant de procéder à un autre réglage.
<p>Le compartiment du congélateur est trop froid.</p> <ul style="list-style-type: none"> Les commandes ne sont pas réglées correctement pour vos conditions. 	<ul style="list-style-type: none"> Réglez la commande du CONGÉLATEUR un degré plus chaud ; attendez 24 heures pour que le nouveau réglage soit pleinement efficace avant de procéder à un autre réglage.

MACHINE À GLAÇONS AUTOMATIQUE

La glace est fabriquée dans la machine à glaçons automatique et acheminée vers le distributeur. La machine à glaçons produit 10 glaçons par cycle, soit environ 70 à 120 glaçons par période de 24 heures, en fonction de la température du compartiment congélateur, de la température ambiante, du nombre d'ouvertures de portes et d'autres conditions de fonctionnement.

- Il faut compter entre 12 et 24 heures pour qu'un réfrigérateur nouvellement installé commence à produire des glaçons. Attendez 72 heures pour que la production de glace soit complète.
- La production de glace s'arrête lorsque le bac à glace intérieur est plein. Lorsqu'il est plein, le bac à glace intérieur contient environ 3,9 livres de glace.
- Pour arrêter la machine à glaçons automatique, il suffit de relever le bras d'arrêt, puis de fermer la fonction glaçons.
- La pression de l'eau doit être comprise entre 20,3 et 100 psi (140 à 690 kPa) sur les modèles sans filtre à eau et entre 20,3 et 100 psi (140 à 690 kPa) sur les modèles avec filtre à eau pour produire la quantité et la taille normales de glaçons.

QUAND ÉTEINDRE LA MACHINE À GLAÇONS

- Lorsque l'alimentation en eau a été coupée pendant plusieurs heures.
- Lorsque le bac à glace a été retiré pendant plus d'une ou deux minutes.
- Lorsque le réfrigérateur ne sera pas utilisé pendant plusieurs jours.

REMARQUE : Le bac à glaçons doit être vidé lorsque le Bras capteur de la machine à glaçons est réglé sur la position OFF (arrêt).

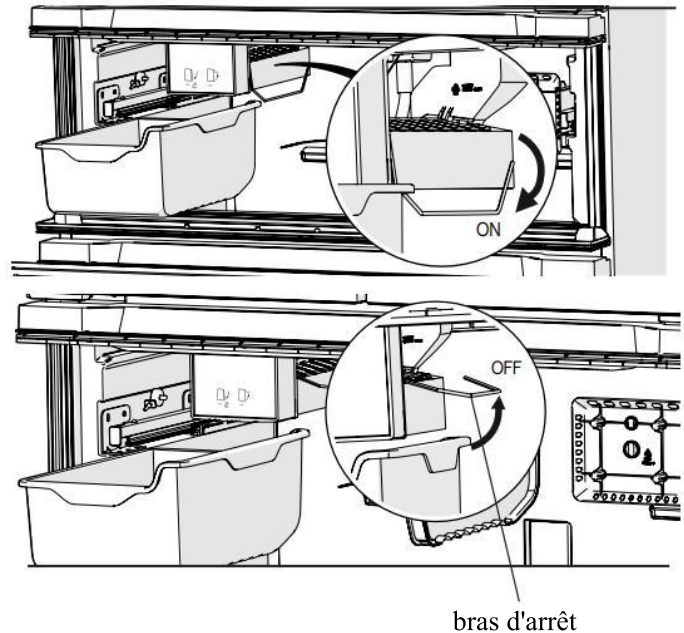
BRUITS NORMAUX QUE VOUS POURRIEZ ENTENDRE

- La vanne d'eau de la machine à glaçons émet un bourdonnement lorsque la machine à glaçons se remplit d'eau. Si la machine à glaçons est en marche, elle bourdonnera même si elle n'a pas encore été raccordée à l'eau. Pour arrêter le bourdonnement, éteignez la machine à glaçons.
REMARQUE : Le fait de laisser la machine à glaçons en marche avant que la conduite d'eau ne soit raccordée peut endommager la machine à glaçons.
- Vous entendrez le bruit des cubes qui tombent dans le bac et de l'eau qui coule dans les tuyaux lorsque la machine à glaçons se remplit.

⚠ AVERTISSEMENT

Risque de blessure

Évitez tout contact avec les pièces mobiles du mécanisme d'éjection ou avec l'élément chauffant qui libère les cubes. NE PAS placer les doigts ou les mains sur le mécanisme de fabrication automatique de glaçons lorsque le réfrigérateur est branché.



⚠ AVERTISSEMENT : Ne branchez l'appareil qu'à une source d'eau potable.

PRÉPARATION DES VACANCES

Réglez le bras capteur de la machine à glaçons sur **OFF** et coupez l'alimentation en eau du réfrigérateur.

REMARQUE : Le bac à glace doit être vidé chaque fois que le bras palpeur de la machine à glaçons est réglé sur **OFF**.

Si la température ambiante descend en dessous du point de congélation, demandez à un technicien qualifié de vidanger le système d'alimentation en eau afin d'éviter de graves dommages matériels dus à une inondation causée par la rupture des conduites d'eau ou des raccords.

MACHINE A ICEMAIRE AUTOMATIQUE (suite)

▲ ATTENTION

- Les premiers glaçons et l'eau distribués peuvent contenir des particules ou avoir une odeur provenant de la conduite d'alimentation en eau ou du réservoir d'eau.
- Jetez les premiers lots de glace (environ 24 cubes). Cette opération est également nécessaire si le réfrigérateur n'a pas été utilisé pendant une longue période.
- Ne jamais mettre de canettes de boissons ou d'autres objets dans le bac à glaçons pour les refroidir rapidement. Vous risqueriez d'endommager la machine à glaçons ou de faire éclater les récipients.
- Si la glace distribuée est décolorée, vérifiez le filtre à eau et l'alimentation en eau. Si le problème persiste, contactez un centre de service Sears ou un autre centre de service qualifié. Ne pas utiliser la glace ou l'eau tant que le problème n'est pas résolu.
- Tenez les enfants à l'écart du distributeur. Les enfants peuvent jouer avec les commandes ou les endommager.
- Le passage de la glace peut être obstrué par du givre si l'on n'utilise que de la glace concassée. Retirez le givre accumulé en enlevant le bac à glace et en dégageant le passage à l'aide d'une spatule en caoutchouc. La distribution de glace en cubes peut également aider à prévenir l'accumulation de givre.
- N'utilisez jamais de verre de cristal fin ou de vaisselle pour recueillir la glace. Ces récipients risquent de s'ébrécher ou de se briser, ce qui entraînerait la présence de fragments de verre dans la glace.
- Versez de la glace dans un verre avant de le remplir d'eau ou d'autres boissons. Des éclaboussures peuvent se produire si de la glace est distribuée dans un verre qui contient déjà du liquide.
- N'utilisez jamais un verre exceptionnellement étroit ou profond. La glace risque de se coincer dans le passage de la glace et les performances du réfrigérateur peuvent en être affectées.
- Maintenez le verre à une distance appropriée de la sortie de glace. Un verre tenu trop près de la sortie peut empêcher la distribution de glace.
- Pour éviter les blessures, ne pas mettre les mains dans la porte et le passage des glaçons.
- Ne jamais retirer le couvercle du distributeur.
- En cas de formation inattendue de glace, coupez l'alimentation en eau et consultez le service clientèle à l'adresse suivante : www.kenmore.com/contact-us/.

GUIDE DE CONSERVATION DES ALIMENTS

Enveloppez ou conservez les aliments dans le réfrigérateur dans un matériau étanche à l'air et à l'humidité, sauf indication contraire. Cela permet d'éviter le transfert des odeurs et des goûts entre les aliments dans le réfrigérateur. Pour les produits datés, vérifiez la réglementation pour vous assurer de leur fraîcheur.

Articles	Que faire
Beurre ou margarine	▶ Conservez le beurre entamé dans un plat couvert ou un compartiment fermé. En cas de surplus, enveloppez le beurre dans un emballage de congélation et mettez-le au congélateur.
Fromage	▶ Conservez l'emballage d'origine jusqu'à ce que vous soyez prêt à l'utiliser. Une fois ouvert, ré-emballer hermétiquement dans un film plastique ou une feuille d'aluminium.
Lait	▶ Essayez les briques de lait. Pour une meilleure conservation, placez le lait sur l'étagère intérieure, et non sur l'étagère de la porte.
Œufs	▶ Conservez le carton d'origine sur l'étagère intérieure, pas dans le bac de la porte.
Fruits	▶ Laver, laisser sécher et conserver au réfrigérateur dans des sacs en plastique ou dans un tiroir. Ne pas laver ou décortiquer les fruits avant d'être prêt à les utiliser. Triez et conservez les fruits dans leur emballage d'origine, dans un tiroir du réfrigérateur ou dans un sac en papier complètement fermé sur une clayette du réfrigérateur.
Légumes à feuilles	▶ Retirez l'emballage du magasin et coupez les parties meurtries et décolorées. Laver à l'eau froide et égoutter. Les placer dans un sac ou un récipient en plastique et les conserver dans un tiroir du réfrigérateur.
Légumes à peau (carottes, poivrons)	▶ Placer dans un sac en plastique ou un récipient en plastique et conserver dans le tiroir du réfrigérateur.
Poisson	▶ Utilisez le poisson et les crustacés frais le jour même où vous les avez achetés.
Restes de repas	▶ Recouvrez les restes d'un film plastique ou d'une feuille d'aluminium, ou conservez-les dans des récipients en plastique munis d'un couvercle étanche.
Crème glacée	▶ Lorsque vous conservez des aliments congelés comme de la crème glacée pendant une longue période, placez-les sur la clayette du congélateur, et non dans les bacs de la porte..

CONSERVATION DES ALIMENTS CONGELÉS

REMARQUE : Consultez un guide de congélation ou un livre de cuisine fiable pour plus d'informations sur la préparation des aliments pour la congélation ou sur les durées de conservation des aliments.

Congélation

Congélation

Votre congélateur ne peut pas congeler rapidement une grande quantité d'aliments. Ne mettez pas plus d'aliments non congelés dans le congélateur qu'il n'en gèlera dans les 24 heures (pas plus de 2 à 3 livres d'aliments par pied cube d'espace de congélation). Laissez suffisamment d'espace dans le congélateur pour que l'air puisse circuler autour des emballages. Veillez à laisser suffisamment d'espace à l'avant pour que la porte puisse se fermer hermétiquement.

Les durées de conservation varient en fonction de la qualité et du type d'aliment, du type d'emballage utilisé (étanchéité à l'air et à l'humidité) et de la température de conservation. La présence de cristaux de glace à l'intérieur d'un emballage scellé est normale. Cela signifie simplement que l'humidité contenue dans les aliments et l'air à l'intérieur de l'emballage se sont condensés, créant ainsi des cristaux de glace.

REMARQUE : Laissez les aliments chauds refroidir à température ambiante pendant 30 minutes, puis emballez-les et congelez-les. Refroidir les aliments chauds avant de les congeler permet d'économiser de l'énergie.

Emballage

Une congélation réussie dépend d'un emballage correct. Lorsque vous fermez et scellez l'emballage, il ne doit pas laisser entrer ou sortir l'air ou l'humidité. Si c'est le cas, l'odeur et le goût des aliments risquent de se répandre dans tout le réfrigérateur et les aliments congelés risquent de se dessécher.

Recommandations en matière d'emballage :

- Récipients en plastique rigide avec couvercles hermétiques.
- Bocaux de mise en conserve/congélation à bords droits
- Papier d'aluminium résistant
- Papier plastifié
- Emballages en plastique non perméable
- Sacs en plastique autoscellants spécifiés pour la congélation Suivre les instructions de l'emballage ou du récipient pour les méthodes de congélation appropriées.

Ne pas utiliser

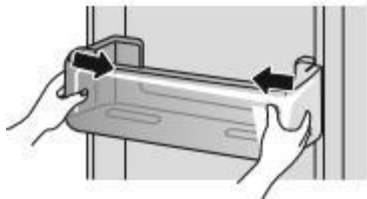
- Emballages de pain
- Récipients en plastique non polyéthylène
- Récipients sans couvercle étanche
- Papier ciré ou film de congélation enduit de cire
- Film mince et semi-perméable.

⚠ ATTENTION : Ne conservez pas de canettes de boissons ou de récipients alimentaires en plastique dans le compartiment congélateur. Ils risquent de se briser ou d'éclater s'ils gèlent.

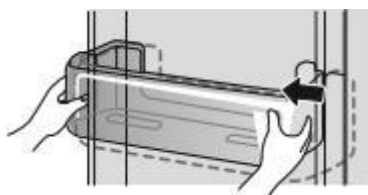
UTILISATION DE VOTRE RÉFRIGÉRATEUR

BACS DE PORTE POUR RÉFRIGÉRATEUR/CONGÉLATEUR

Le réfrigérateur et le congélateur sont équipés de bacs qui peuvent être facilement disposés pour ranger des produits emballés.



Pour retirer le bac, tenez-le des deux côtés, soulevez-le et tirez-le vers l'extérieur.



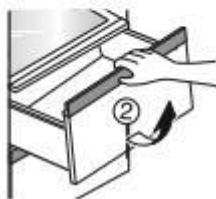
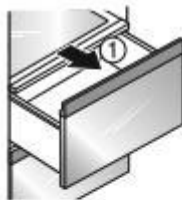
Pour remettre le bac en place, faites-le glisser au-dessus du support souhaité et poussez-le vers le bas d'un côté à la fois jusqu'à ce qu'il s'enclenche.

TIROIRS ET COUVERCLE DU RÉFRIGÉRATEUR

Les tiroirs du réfrigérateur permettent une meilleure conservation des fruits et légumes.

Pour retirer les tiroirs du réfrigérateur : tirez le tiroir à fond①, soulevez la partie avant②, et tirez tout droit.

Pour les installer : inclinez légèrement la façade vers le haut, insérez le tiroir dans le cadre et remettez-le en place en le poussant.



CLAYETTES DU RÉFRIGÉRATEUR/CONGÉLATEUR

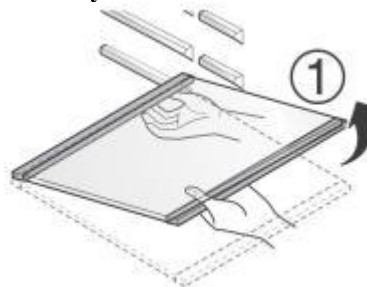
Les clayettes de votre réfrigérateur et de votre congélateur sont réglables pour répondre à vos besoins individuels de rangement.

En réglant les clayettes pour qu'elles s'adaptent à des articles de différentes hauteurs, vous trouverez plus facilement l'article que vous recherchez. Cela permet également de réduire le temps d'ouverture des portes du réfrigérateur, ce qui permet d'économiser de l'énergie.

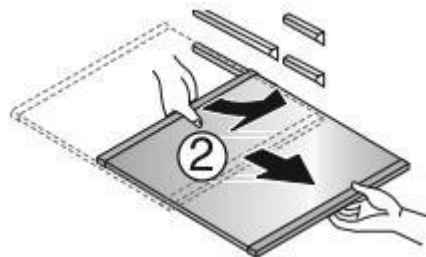
IMPORTANT : Ne pas nettoyer les Clayettes en verre avec de l'eau chaude lorsqu'elles sont froides. Les clayettes peuvent se casser si elles sont exposées à des changements de température soudains ou à des chocs.

REMARQUE : Les clayettes en verre sont lourdes. Faites preuve d'une grande prudence lorsque vous les retirez.

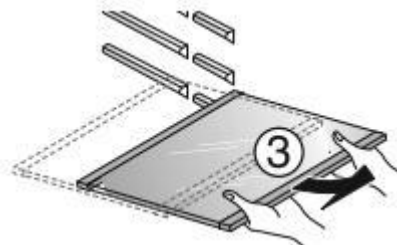
Démontage de la clayette



Tenez la face avant d'une main et la face arrière de l'autre, et soulevez-la délicatement.



Tirez la clayette vers l'avant jusqu'à mi-chemin, en maintenant l'avant de la clayette légèrement soulevé.



En tenant la tablette des deux mains, inclinez-la et tirez-la vers l'extérieur.

Remontage de la clayette

Inclinez l'avant de la clayette vers le haut et guidez la clayette dans les fentes à la hauteur souhaitée. Faites glisser la clayette, puis abaissez l'avant de la clayette.

▲ ATTENTION : Veillez à ce que les étagères soient de niveau d'un côté à l'autre. Dans le cas contraire, l'étagère risque de tomber ou de renverser des aliments.

⚠ AVERTISSEMENT



Risque d'explosion

Utilisez un produit de nettoyage ininflammable. Le non-respect de cette consigne peut entraîner un incendie, une explosion ou la mort.

Le réfrigérateur et le congélateur se dégivrent automatiquement, mais il faut les nettoyer environ une fois par mois pour éviter les odeurs. Essuyez immédiatement les liquides renversés.

CONSEILS GÉNÉRAUX DE NETTOYAGE

- Débranchez le réfrigérateur ou coupez l'alimentation électrique.
- Retirez toutes les pièces amovibles, telles que les clayettes, les bacs à légumes, etc. Reportez-vous à la section UTILISATION DE VOTRE RÉFRIGÉRATEUR pour les instructions de retrait.
- Utilisez une éponge propre ou un chiffon doux et un détergent doux dans de l'eau tiède. N'utilisez pas de nettoyeurs abrasifs ou agressifs.
- Lavez à la main, rincez et séchez soigneusement toutes les surfaces.
- Branchez le réfrigérateur ou reconnectez l'alimentation électrique.

EXTÉRIEUR

Le fait de cirer les surfaces métalliques peintes à l'extérieur permet de les protéger contre la rouille. Ne pas cirer les pièces en plastique. Cirez les surfaces métalliques peintes au moins deux fois par an à l'aide d'une cire pour appareils électroménagers (ou d'une cire en pâte pour automobiles). Appliquez la cire à l'aide d'un chiffon propre et doux.

Pour les produits dont l'extérieur est en acier inoxydable, utilisez une éponge propre ou un chiffon doux et un détergent doux dans de l'eau tiède. N'utilisez pas de nettoyeurs abrasifs ou agressifs. Séchez soigneusement avec un chiffon doux.

PAROIS INTÉRIEURES (laissez le congélateur monter en température pour que le chiffon ne colle pas)

Pour éliminer les odeurs, vous pouvez laver l'intérieur du réfrigérateur avec un mélange de bicarbonate de soude et d'eau chaude. Mélangez 2 cuillères à soupe de bicarbonate de soude à 1 litre d'eau (26 g de bicarbonate de soude pour 1 litre d'eau). Assurez-vous que le bicarbonate de soude est complètement dissous afin de ne pas rayer les surfaces du réfrigérateur.

⚠ ATTENTION : Lors du nettoyage de l'intérieur, ne pulvérisez pas d'eau.

DOUBLURES DE PORTE ET JOINTS D'ÉTANCHÉITÉ

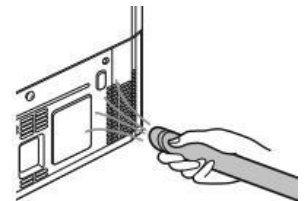
Utilisez une éponge propre ou un chiffon doux et un détergent doux dans de l'eau tiède. N'utilisez pas de cires de nettoyage, de détergents concentrés, n'utilisez pas de cires de nettoyage, de détergents concentrés, d'agents de blanchiment ou de nettoyeurs contenant du pétrole sur les pièces en plastique du réfrigérateur.

PIÈCES EN PLASTIQUE (couverts et bacs)

Utilisez une éponge propre ou un chiffon doux et un détergent doux dans de l'eau chaude. N'utilisez pas de vaporisateurs pour vitres, de nettoyeurs abrasifs ou de liquides inflammables. Ces produits peuvent rayer ou endommager le matériau.

SERPENTINS DU CONDENSEUR

Utilisez un aspirateur muni d'un accessoire pour nettoyer le couvercle du condenseur et les événements. Ne retirez pas le panneau recouvrant la zone du serpentin du condenseur.



REPLACEMENT DE LA LAMPE DEL

⚠ AVERTISSEMENT

Risque d'électrocution

Avant de procéder à l'entretien de l'éclairage intérieur à DEL, débranchez le réfrigérateur ou coupez le courant au niveau du disjoncteur ou de la boîte à fusibles.

Le fait de mettre l'une ou l'autre ou les deux commandes en position d'arrêt ne coupe pas l'alimentation du circuit d'éclairage.

REMARQUE : Les lampes du réfrigérateur et du compartiment congélateur sont des éclairages intérieurs à diodes électroluminescentes (DEL), et l'entretien doit être effectué par un technicien qualifié.

COUPURES DE COURANT

1. En cas de coupure de courant de 24 heures ou moins, gardez toutes les portes du réfrigérateur fermées pour que les aliments restent froids et congelés.
2. En cas de coupure de courant de plus de 24 heures, retirez tous les aliments congelés et conservez-les dans une armoire à aliments congelés.

LORSQUE VOUS PARTEZ EN VACANCES

Si vous décidez de laisser le réfrigérateur allumé pendant votre absence, suivez ces étapes pour préparer votre réfrigérateur avant de partir.

1. Consommez les denrées périssables et congelez les autres.
2. Arrêtez la machine à glaçons et videz le bac à glaçons.

Si vous décidez d'éteindre le réfrigérateur avant de partir, suivez les étapes suivantes.

1. Retirez tous les aliments du réfrigérateur.
2. Selon le modèle, réglez la commande du thermostat (commande du réfrigérateur) sur OFF. Voir la section RÉGLAGE DES COMMANDES.
3. Nettoyez le réfrigérateur, essuyez-le et séchez-le bien.
4. Collez des blocs de caoutchouc ou de bois en haut des deux portes pour les ouvrir suffisamment pour permettre à l'air de pénétrer. Cela empêche les odeurs et les moisissures de s'accumuler.

LORSQUE VOUS DÉMÉNAGEZ

Lorsque vous déménagez votre réfrigérateur, suivez ces étapes pour le préparer au déménagement.

1. Retirez tous les aliments du réfrigérateur et du congélateur, ainsi que la glace.

Fermez l'arrivée d'eau et débranchez le tuyau d'eau du réfrigérateur.

Assurez-vous que l'alimentation en eau est complètement coupée en vérifiant qu'il n'y a pas d'écoulement d'eau.
2. Débranchez le réfrigérateur.
3. Nettoyez, essuyez et séchez soigneusement.
4. Retirez toutes les pièces amovibles, emballez-les bien et fixez-les avec du ruban adhésif afin qu'elles ne se déplacent pas et ne s'entrechoquent pas pendant le déménagement. Reportez-vous à la section UTILISATION DE VOTRE RÉFRIGÉRATEUR pour les instructions de démontage.
5. Selon le modèle, relever l'avant du réfrigérateur pour qu'il roule plus facilement OU visser à fond les pattes de nivellement pour qu'elles ne rayent pas le sol. Voir la section ALIGNEMENT DES PORTES.
6. Fermez les portes avec du ruban adhésif et fixez le cordon d'alimentation à l'armoire du réfrigérateur avec du ruban adhésif.

Lorsque vous arrivez à votre nouveau domicile, remettez tout en place et reportez-vous à la section INSTALLATION DU RÉFRIGÉRATEUR pour les instructions de préparation.

RACCORDEMENT DE LA CONDUITE D'EAU

AVANT DE COMMENCER

L'installation de la conduite d'eau n'est pas couverte par la garantie du réfrigérateur. Suivez attentivement ces instructions afin de minimiser les risques de dégâts des eaux coûteux.

Les coups de bélier dans la plomberie domestique peuvent endommager les pièces du réfrigérateur et entraîner des fuites d'eau ou des inondations. Faites appel à un plombier qualifié pour remédier aux coups de bélier avant d'installer la conduite d'alimentation en eau du réfrigérateur.

▲ **ATTENTION** : Pour éviter les brûlures et les dommages au produit, ne raccordez la conduite d'eau du réfrigérateur qu'à une arrivée d'eau froide. Ne branchez le réfrigérateur qu'à une source d'eau potable.

Si vous utilisez votre réfrigérateur avant le raccordement de la conduite d'eau, assurez-vous que le bouton de la machine à glaçons est réglé sur **OFF**.

N'installez pas le tuyau de la machine à glaçons dans des zones où les températures sont inférieures au point de congélation.

PRESSION DE L'EAU

Raccordez l'appareil à l'alimentation en eau froide. La pression de l'eau doit être comprise entre 20 et 100 psi (138 et 689 kPa) pour les modèles sans filtre à eau et entre 30 et 100 psi (207 et 689 kPa) pour les modèles avec filtre à eau.

Si un **système de filtration d'eau par osmose inverse** est raccordé à votre alimentation en eau froide, l'installation de cette conduite d'eau n'est pas couverte par la garantie du réfrigérateur. Suivez attentivement les instructions suivantes afin de minimiser le risque de dégâts des eaux coûteux.


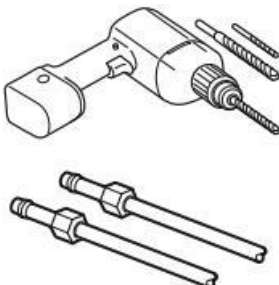
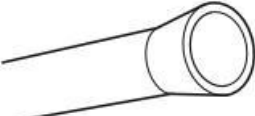
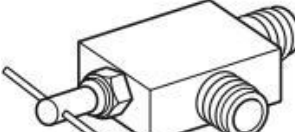
Si un **système de filtration d'eau par osmose inverse** est raccordé à votre alimentation en eau froide, la pression de l'eau vers le système d'osmose inverse doit être au minimum de 40 à 60 psi (2,8 kgf/cm² ~ 4,2 kgf/cm², moins de 2,0~3,0 sec. pour remplir une tasse d'une contenance de 7 oz).

Si la pression de l'eau provenant du système d'osmose inverse est inférieure à 21 psi ou 1,5 kgf/cm² (il faut plus de 4,0 secondes pour remplir une tasse d'une contenance de 7 oz) :

- Vérifiez si le filtre à sédiments du système d'osmose inverse est obstrué. Remplacez le filtre si nécessaire.
- Laissez le réservoir de stockage du système d'osmose inverse se remplir après une utilisation intensive.
- Si le problème de pression de l'eau provenant de l'osmose inverse persiste, appelez un plombier agréé et qualifié.
- Toutes les installations doivent être conformes aux exigences du code de plomberie local.

▲ **ATTENTION** : Portez des lunettes de protection pendant l'installation afin d'éviter toute blessure.

CE DONT VOUS AUREZ BESOIN

- **Un tuyau en cuivre** de ¼ po de diamètre extérieur pour raccorder le réfrigérateur à l'alimentation en eau. Veillez à ce que les deux extrémités du tuyau soient coupées à l'équerre. 
- Pour déterminer la quantité de tuyau dont vous avez besoin, mesurez la distance entre le robinet d'eau situé à l'arrière du réfrigérateur et le tuyau d'alimentation en eau. Ajoutez ensuite 2,4 m (8 pieds). Veillez à ce qu'il y ait suffisamment de tuyau supplémentaire (environ 2,4 m enroulés en 3 tours d'environ 25 cm de diamètre) pour permettre au réfrigérateur de se décoller du mur après l'installation.
- **Perceuse électrique.**
- **Clé ½ po. ou clé à molette.**
- **Tournevis à lame plate et tournevis cruciforme.**
- **Deux écrou de compressions de ¼ po de diamètre extérieur et deux embouts (manchons)** pour raccorder le tuyau de cuivre au robinet d'arrêt et au robinet d'eau du réfrigérateur. 
- Si votre conduite d'eau en cuivre existante est munie d'un raccord évasé à l'extrémité, vous aurez besoin d'un adaptateur (disponible dans les magasins de plomberie) pour raccorder la conduite d'eau au réfrigérateur OU vous pouvez couper le raccord évasé à l'aide d'un coupe-tube et utiliser ensuite un raccord à compression. 
- **Vanne d'arrêt pour le raccordement à la conduite d'eau froide.** Le robinet d'arrêt doit avoir une entrée d'eau d'un diamètre intérieur minimum de 5/32 po au point de raccordement à la LIGNE D'EAU FROIDE. 

Les vannes d'arrêt à selle sont incluses dans de nombreux kits d'alimentation en eau. Avant d'acheter un robinet à selle, assurez-vous qu'il est conforme aux codes de plomberie locaux.

REMARQUE : Il ne faut pas utiliser de robinet à selle auto-perforant.

▲ AVERTISSEMENT

Risque d'électrocution

Lors de l'utilisation d'un appareil électrique (tel qu'une perceuse électrique) pendant l'installation, assurez-vous que l'appareil est alimenté par une batterie, qu'il est doublement isolé ou qu'il est mis à la terre de manière à éviter tout risque de choc électrique.

INSTRUCTIONS D'INSTALLATION

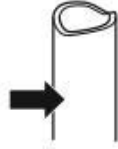
Installer le robinet d'arrêt sur la conduite d'eau potable la plus proche utilisée fréquemment.

1. FERMER L'ALIMENTATION PRINCIPALE EN EAU

Ouvrir le robinet le plus proche pour relâcher la pression sur la conduite.

2. CHOISIR L'EMPLACEMENT DE LA VALVE

Choisissez un emplacement facilement accessible pour la vanne. Il est préférable de se raccorder sur le côté d'une conduite d'eau verticale. S'il est nécessaire de se raccorder à une conduite d'eau horizontale, il faut le faire en haut ou sur le côté, plutôt qu'en bas, afin d'éviter d'aspirer les sédiments de la conduite d'eau.

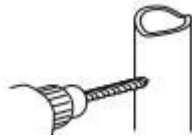


Collier de serrage Vis de serrage

3. PERCER LE TROU POUR LA VALVE

Percez un trou de 1/4 po dans le tuyau d'eau à l'aide d'une mèche pointue.

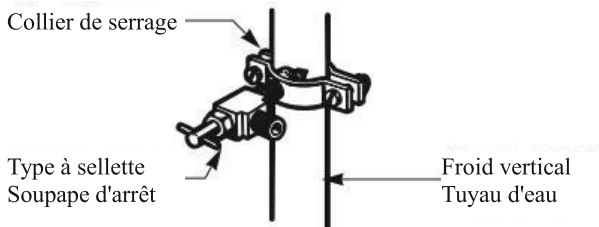
Enlevez toutes les bavures résultant du perçage du trou dans le tuyau. Veillez à ce que l'eau ne s'écoule pas dans la perceuse. Le fait de ne pas percer un trou de 1/4 po peut entraîner une réduction de la production de glace ou des cubes plus petits.



REMARQUE : Le tuyau de raccordement ne peut pas être un tuyau en plastique blanc. Les plombiers agréés doivent utiliser uniquement des tuyaux en cuivre NDA #49595 ou 49599 ou des tuyaux en polyéthylène Cross Link (PEX).

4. FIXER LE ROBINET D'ARRÊT

Fixez le robinet d'arrêt au tuyau d'eau froide à l'aide du collier de serrage.

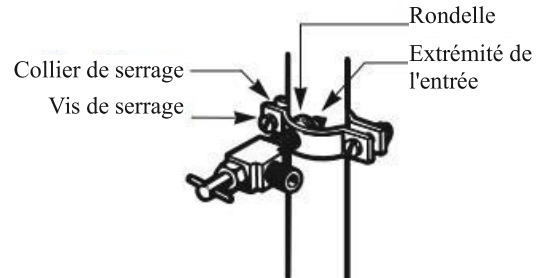


REMARQUE : Les codes de plomberie 248CMR du Commonwealth du Massachusetts doivent être respectés. Les vannes à selle sont illégales et leur utilisation n'est pas autorisée dans le Massachusetts. Consultez votre plombier agréé.

5. SERRER LE COLLIER DE SERRAGE

Serrez les vis du collier jusqu'à ce que la rondelle d'étanchéité commence à gonfler.

REMARQUE : Ne serrez pas trop le collier, vous risqueriez d'écraser le tuyau.



6. ACHEMINER LA TUYAUTERIE

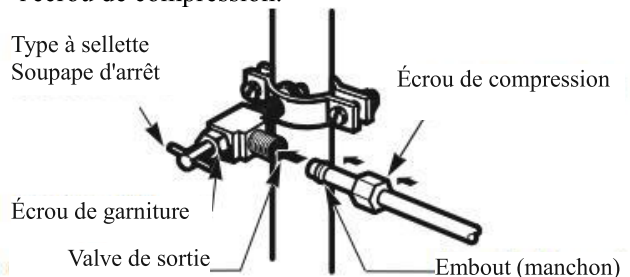
Faites passer le tuyau entre la conduite d'eau froide et le réfrigérateur.

Faites passer le tuyau par un trou percé dans le mur ou le sol (derrière le réfrigérateur ou l'armoire basse adjacente, le plus près possible du mur).

REMARQUE : Veillez à ce qu'il y ait suffisamment de tuyau supplémentaire (environ 8 pieds enroulés en 3 tours d'environ 10 pouces de diamètre) pour permettre au réfrigérateur de s'écarter du mur après l'installation.

7. RACCORDER LE TUYAU AU ROBINET

Placez l'écrou de compression et la bague (manchon) pour tuyau en cuivre sur l'extrémité du tuyau et raccordez-le à la vanne d'arrêt. Veillez à ce que le tuyau soit entièrement inséré dans la vanne. Serrez fermement l'écrou de compression.



REMARQUE : Les codes de plomberie 248CMR du Commonwealth du Massachusetts doivent être respectés. Les vannes à selle sont illégales et leur utilisation n'est pas autorisée dans le Massachusetts. Consultez votre plombier agréé.

IMPORTANT : N'utilisez que des tuyaux d'arrosage neufs, ne réutilisez pas les vieux tuyaux d'arrosage.

8. RINCER LA TUYAUTERIE

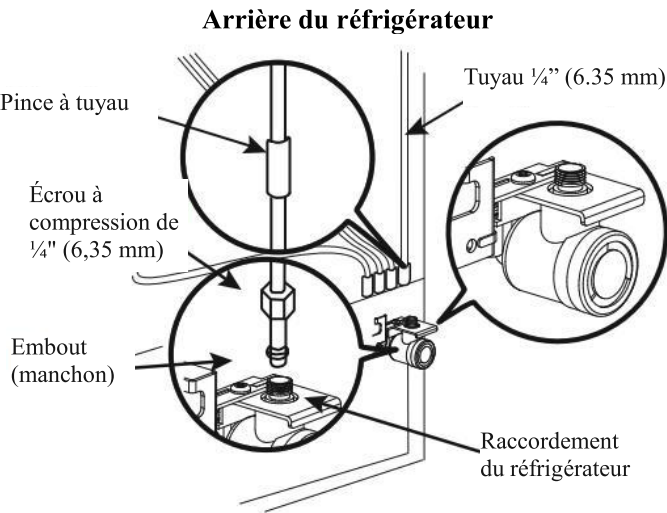
Ouvrez l'alimentation principale en eau et rincez le tuyau jusqu'à ce que l'eau soit claire.
 Fermez le robinet d'eau après qu'environ un litre d'eau a été rincé dans la tuyauterie.



9. RACCORDEMENT DE LA TUYAUTERIE AU RÉFRIGÉRATEUR

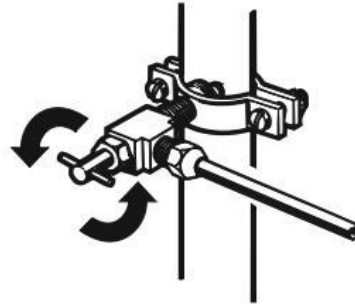
REMARQUE : Avant d'effectuer le raccordement au réfrigérateur, assurez-vous que le cordon d'alimentation du réfrigérateur n'est pas branché sur la prise murale..

1. Retirer le capuchon flexible en plastique du robinet d'eau.
2. Placer l'écrou de compression et la bague (manchon) sur l'extrémité du tuyau comme indiqué.
3. Insérer l'extrémité du tuyau en cuivre dans le raccord aussi loin que possible. Tout en maintenant le tuyau, serrez le raccord.



10. OUVRIR L'EAU AU NIVEAU DU ROBINET D'ARRÊT.

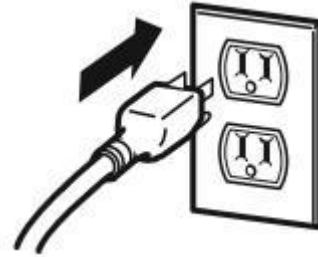
Serrez tous les raccords qui fuient.



ATTENTION : vérifiez qu'il n'y a pas de fuites au niveau du raccordement de la conduite d'eau.

11. BRANCHEMENT DU RÉFRIGÉRATEUR

Disposez la bobine de tuyau de manière à ce qu'elle ne vibre pas contre l'arrière du réfrigérateur ou contre le mur. Pousser le réfrigérateur contre le mur.



12. MISE EN MARCHÉ DE LA MACHINE A GLAÇONS

La machine à glaçons ne commencera à fonctionner que lorsqu'elle aura atteint sa température de fonctionnement de 14°F (-10°C) ou moins. Elle commencera alors à fonctionner automatiquement si le bouton de la machine à glaçons est réglé sur **ON**.

REFROIDISSEMENT

Avant de procéder au dépannage, assurez-vous que les conditions de base suivantes sont remplies :

Débit de service	0.5 gpm (1.9 lpm)
Alimentation en eau	Eau potable
Pression de l'eau	30-100 psi (207 - 689 kPa)
Température de l'eau	34°F - 100°F (1°C - 38°C)
Spécifications électriques	115 Volts, 60 Hz, AC uniquement, avec un fusible de 15 ampères (minimum).

Problème	Causes possibles	Solutions
Les compartiments Réfrigérateur et Congélateur ne refroidissent pas.	Le cordon d'alimentation est débranché.	Pendant le cycle de dégivrage, la température de chaque compartiment peut augmenter légèrement. Attendez 30 minutes et vérifiez que la température est revenue à la normale une fois le cycle de dégivrage terminé.
	Le réfrigérateur est en cycle de dégivrage.	During the defrost cycle, the temperature of each compartment may rise slightly. Wait 30 minutes and confirm the proper temperature has been restored once the defrost cycle has completed.
	Le réfrigérateur a été installé récemment.	Il peut s'écouler jusqu'à 24 heures avant que chaque compartiment n'atteigne la température souhaitée.
	Le réfrigérateur a été déplacé récemment.	Si le réfrigérateur a été stocké pendant une longue période ou déplacé sur le côté, il est nécessaire de le mettre à la verticale pendant 24 heures avant de le brancher sur le secteur.
Le système de refroidissement tourne trop vite.	Le réfrigérateur remplace un modèle plus ancien.	Les réfrigérateurs modernes nécessitent plus de temps de fonctionnement mais consomment moins d'énergie grâce à une technologie plus efficace.
	Le réfrigérateur a été branché récemment ou le courant a été rétabli.	Le réfrigérateur peut mettre jusqu'à 24 heures pour refroidir complètement.
	La porte a été ouverte fréquemment ou une grande quantité d'aliments a été ajoutée.	L'ajout d'aliments et l'ouverture de la porte réchauffent le réfrigérateur, ce qui oblige le compresseur à fonctionner plus longtemps pour refroidir le réfrigérateur. Pour économiser l'énergie, essayez de sortir du réfrigérateur tout ce dont vous avez besoin en une seule fois, rangez les aliments de manière à ce qu'ils soient faciles à trouver et fermez la porte dès que les aliments sont sortis. la porte dès que les aliments sont sortis. (Voir le Guide de conservation des aliments).
	Les portes ne sont pas complètement fermées.	Poussez fermement les portes. Si elles ne se ferment pas complètement, reportez-vous à la section Les portes ne se ferment pas complètement ou s'ouvrent dans la section Dépannage des pièces et caractéristiques.
	Le réfrigérateur est installé dans un endroit chaud.	Le compresseur fonctionne plus longtemps lorsqu'il fait chaud. À des températures ambiantes normales (70°F ou 21°C), le compresseur doit fonctionner entre 40 % et 80 % du temps. Dans des conditions plus chaudes, il fonctionnera encore plus souvent. Le réfrigérateur ne doit pas être utilisé à une température supérieure à 110°F (43°C).
	Le condenseur / couvercle arrière est obstrué.	Utilisez un aspirateur muni d'un accessoire pour nettoyer le couvercle du condenseur et les orifices d'aération. Ne retirez pas le panneau couvrant la zone du serpentín du condenseur.

REFROIDISSEMENT

Problème	Causes possibles	Solutions
La section Réfrigérateur ou Congélateur est trop chaude.	Le réfrigérateur a été installé récemment.	Il peut s'écouler jusqu'à 24 heures avant que chaque compartiment n'atteigne la température souhaitée.
	Les orifices d'aération sont bloqués.	Réorganisez les éléments pour permettre à l'air de circuler dans tous les compartiments. Reportez-vous au diagramme de circulation d'air dans la section UTILISATION DE VOTRE RÉFRIGÉRATEUR.
	Les portes sont ouvertes souvent ou pendant de longues périodes.	Lorsque les portes sont ouvertes souvent ou pendant de longues périodes, de l'air chaud et humide pénètre dans le compartiment. Cela augmente la température et le niveau d'humidité à l'intérieur du compartiment. Pour atténuer cet effet, réduisez la fréquence et la durée d'ouverture des portes.
	L'appareil est installé dans un endroit chaud.	Le réfrigérateur ne doit pas être utilisé à des températures supérieures à 43°C (110°F).
	Une grande quantité d'aliments ou des aliments chauds ont été ajoutés dans l'un ou l'autre compartiment.	L'ajout d'aliments réchauffe le compartiment et fait fonctionner le système de refroidissement. Laissez les aliments chauds refroidir à température ambiante avant de les placer dans le réfrigérateur pour réduire cet effet.
	Les portes ne se ferment pas correctement.	Voir la section Les portes ne se ferment pas correctement ou s'ouvrent brusquement. dans la section Dépannage des pièces et caractéristiques.
	La commande de température n'est pas réglée correctement.	Si la température est trop élevée, réglez la commande d'un cran à la fois et attendez que la température se stabilise. Reportez-vous à la section Réglage des commandes pour plus d'informations.
	Le cycle de dégivrage vient de se terminer.	Pendant le cycle de dégivrage, la température de chaque compartiment peut augmenter légèrement et de la condensation peut se former sur la paroi arrière. Attendez 30 minutes et vérifiez que la température est revenue à la normale une fois le cycle de dégivrage terminé.
Accumulation d'humidité à l'intérieur.	Les portes sont ouvertes souvent ou pendant de longues périodes.	Lorsque les portes sont ouvertes souvent ou pendant de longues périodes, de l'air chaud et humide pénètre dans le compartiment. Cela augmente la température et le niveau d'humidité à l'intérieur du compartiment. Pour atténuer cet effet, réduisez la fréquence et la durée d'ouverture des portes.
	Les portes ne se ferment pas correctement.	Voir la section Les portes ne se ferment pas correctement dans la section Dépannage.
	Le temps est humide.	Le temps humide permet à l'humidité de pénétrer dans les compartiments lorsque les portes sont ouvertes, ce qui entraîne de la condensation ou du givre. Le maintien d'un niveau d'humidité raisonnable dans la maison permet de contrôler la quantité d'humidité qui peut pénétrer dans les compartiments.
	Le cycle de dégivrage vient de se terminer.	Pendant le cycle de dégivrage, la température de chaque compartiment peut augmenter légèrement et de la condensation peut se former sur la paroi arrière. Attendez 30 minutes et vérifiez que la température est revenue à la normale une fois le cycle de dégivrage terminé.
	Les aliments ne sont pas emballés correctement.	Les aliments stockés à découvert ou non emballés et les récipients humides peuvent entraîner une accumulation d'humidité dans chaque compartiment. Essuyez tous les récipients et conservez les aliments dans des emballages hermétiques pour éviter la condensation et le givre.

Problème	Causes possibles	Solutions
Les aliments gèlent dans le compartiment du réfrigéré	Des aliments à forte teneur en eau ont été placés près d'une bouche d'aération.	Placez les aliments à forte teneur en eau à l'écart des bouches d'aération.
	La commande de température du réfrigérateur est mal réglée.	Si la température est trop froide, réglez la commande d'un cran à la fois et attendez que la température se stabilise. Reportez-vous à la section Réglage des commandes pour plus d'informations.
	Le réfrigérateur est installé dans un endroit froid.	Lorsque le réfrigérateur fonctionne à une température inférieure à 10°C (50°F), les aliments peuvent geler dans le compartiment du réfrigérateur.
Du givre ou des cristaux de glace se forment sur les aliments congelés (à l'extérieur de l'emballage).	La porte est ouverte fréquemment ou pendant de longues périodes	Lorsque les portes sont ouvertes fréquemment ou pendant de longues périodes, de l'air chaud et humide pénètre dans le compartiment. Cela augmente la température et le niveau d'humidité à l'intérieur du compartiment. L'augmentation de l'humidité entraîne la formation de givre et de condensation. Pour atténuer cet effet, réduisez la fréquence et la durée d'ouverture des portes.
	La porte ne se ferme pas correctement.	Reportez-vous à la section "Les portes ne se ferment pas correctement ou s'ouvrent" dans la section Dépannage.
Le compartiment réfrigérateur ou congélateur est trop froid.	Mauvais réglage de la température.	Si la température est trop froide, réglez la commande d'un cran à la fois et attendez que la température se stabilise. Reportez-vous à la section Réglage des commandes pour plus d'informations.
Givre ou cristaux de glace sur les aliments congelés (à l'intérieur de l'emballage scellé).	De la condensation provenant d'aliments à forte teneur en eau a gelé à l'intérieur de l'emballage.	Ce phénomène est normal pour les aliments à forte teneur en eau.
	Les aliments ont été laissés dans le congélateur pendant une longue période.	Ne conservez pas d'aliments à forte teneur en eau dans le congélateur pendant une longue période.
La machine à glaçons ne produit pas assez de glace.	La demande dépasse la capacité de stockage de glace.	La machine à glaçons produit environ 3,9 livres de glaçons par période de 24 heures.
	L'alimentation en eau de la maison n'est pas connectée, le robinet n'est pas complètement ouvert ou le robinet est bouché.	Raccordez le réfrigérateur à une arrivée d'eau froide avec une pression suffisante et ouvrez complètement le robinet d'arrêt d'eau. Si le problème persiste, il peut être nécessaire de contacter un plombier.
	Faible pression d'alimentation en eau de la maison.	La pression de l'eau doit être comprise entre 20 et 100 psi (138-689kPa) sur les modèles sans filtre à eau et entre 30 et 100 psi (207-689kPa) sur les modèles avec filtre à eau. Si le Problème persiste, il peut être nécessaire de contacter un plombier.
	Un système de filtration par osmose inverse est utilisé.	Les systèmes de filtration par osmose inverse peuvent réduire la pression de l'eau en dessous du niveau minimum et entraîner des problèmes de machine à glaçons. (Voir la section Pression de l'eau).
	Le tuyau reliant le réfrigérateur à la vanne d'alimentation de la maison est plié.	Le tuyau peut se plier lorsque le réfrigérateur est déplacé pendant l'installation ou le nettoyage, ce qui réduit le débit d'eau. Redressez ou réparez la conduite d'alimentation en eau et arrangez-la pour éviter qu'elle ne se plie à l'avenir.

Problème	Causes possibles	Solutions
La machine à glaçons ne produit pas assez de glace (suite).	Les portes sont ouvertes souvent ou pendant de longues périodes.	Si les portes de l'appareil sont souvent ouvertes, l'air ambiant réchauffe le réfrigérateur, ce qui empêche l'appareil de maintenir la température réglée. Il peut être utile d'abaisser la température du réfrigérateur et de ne pas ouvrir les portes aussi souvent.
	Les portes ne sont pas complètement fermées.	Si les portes ne sont pas correctement fermées, la production de glace sera affectée. Pour plus d'informations, voir la section "Les portes ne se ferment pas complètement ou s'ouvrent" dans la rubrique Dépannage des pièces et caractéristiques..
	The temperature setting for the freezer is too warm.	La température recommandée pour le compartiment congélateur pour une production normale de glace est de 0°F. Si la température du congélateur est plus élevée, la production de glace en sera affectée.
La machine à glaçons ne fabrique pas de glaçons.	Le réfrigérateur a été récemment installé ou la machine à glaçons a été récemment branchée.	Il peut s'écouler jusqu'à 24 heures avant que chaque compartiment n'atteigne la température souhaitée et que la machine à glaçons ne commence à produire des glaçons.
	La machine à glaçons n'est pas allumée.	Localisez le bouton Ice Maker sur l'écran et vérifiez qu'il est réglé sur ON.
	Le capteur de détection des glaçons est obstrué.	Des substances étrangères ou du givre sur le capteur de détection de glace peuvent interrompre la production de glace. Veillez à ce que la zone du capteur soit toujours propre pour assurer un bon fonctionnement.
	Le réfrigérateur n'est pas raccordé à l'alimentation en eau ou le robinet d'arrêt de l'alimentation n'est pas ouvert.	Raccordez le réfrigérateur à l'alimentation en eau et ouvrez complètement le robinet d'arrêt de l'eau.
	L'arrêt de la machine à glaçons (bras ou capteur) est obstrué.	Si votre machine à glaçons est équipée d'un bras d'arrêt des glaçons, assurez-vous que le bras se déplace librement. Si votre machine à glaçons est équipée d'un capteur électronique d'arrêt des glaçons, assurez-vous que le passage entre les deux capteurs est dégagé.
	Le système de filtration de l'eau par osmose inverse est connecté à votre alimentation en eau froide.	Les systèmes de filtration par osmose inverse peuvent réduire la pression de l'eau en dessous du niveau minimum et entraîner des problèmes avec la machine à glaçons. (Voir la section Pression de l'eau).
La glace a un mauvais goût ou une mauvaise odeur.	L'eau contient des minéraux tels que du soufre.	Il peut être nécessaire d'installer un filtre à eau pour éliminer le goût et l'odeur Problèmes. REMARQUE : Dans certains cas, l'installation d'un filtre peut s'avérer inutile. Il n'est pas toujours possible d'éliminer tous les minéraux / odeurs / goûts dans toutes les sources d'approvisionnement en eau.
	La machine à glaçons a été récemment installée.	Jetez les premiers lots de glace pour éviter qu'elle ne se décolore ou qu'elle n'ait un mauvais goût.
	La glace a été stockée trop longtemps.	Les glaçons stockés depuis trop longtemps rétrécissent, deviennent ternes et peuvent avoir un goût de renfermé. Jetez la glace stockée depuis trop longtemps et refaites-en une nouvelle réserve.
	Les aliments n'ont pas été conservés correctement dans l'un ou l'autre compartiment.	Enveloppez à nouveau les aliments. Les odeurs peuvent migrer vers la glace si les aliments ne sont pas correctement emballés.
	L'intérieur du réfrigérateur doit être nettoyé.	Voir la section ENTRETIEN ET NETTOYAGE pour plus d'informations.
	Le bac à glace doit être nettoyé.	Videz et lavez le bac (jetez les vieux cubes). Assurez-vous que le bac est complètement sec avant de le réinstaller.

GLACE ET EAU

Problème	Causes possibles	Solutions
L'eau a un mauvais goût ou une mauvaise odeur.	L'eau contient des minéraux tels que le soufre.	Il peut être nécessaire d'installer un filtre à eau pour éliminer le goût et l'odeur de l'eau.
	Le filtre à eau est épuisé..	Il est recommandé de remplacer le filtre à eau : <ul style="list-style-type: none"> • Tous les 6 mois environ. • Lorsque l'indicateur du filtre à eau s'allume. • Lorsque le débit du distributeur d'eau diminue. • Lorsque les glaçons sont plus petits que la normale.
	Le réfrigérateur a été installé récemment.	Distribuez 9,5 litres d'eau (rincez pendant environ 5 minutes) pour éliminer l'air et les contaminants piégés dans le système. Ne pas distribuer la totalité de la quantité de 9,5 l (2,5 gallons) en continu. Appuyez et relâchez la touche du distributeur pour des cycles de 30 secondes ON et 60 secondes OFF.
La machine à glaçons produit trop de glace.	Le dispositif d'arrêt de la machine à glaçons (bras/capteur) est obstrué.	Videz le bac à glace. Si votre machine à glaçons est équipée d'un bras d'arrêt des glaçons, assurez-vous que le bras se déplace librement. Si votre machine à glaçons est équipée d'un capteur électronique d'arrêt des glaçons, assurez-vous que la voie est libre entre les deux capteurs. Réinstallez le bac à glaçons et attendez 24 heures pour confirmer le bon fonctionnement.

Problème	Causes possibles	Solutions
Clics	La commande de dégivrage émet un clic lorsque le cycle de dégivrage automatique commence et se termine. La commande du thermostat (ou du réfrigérateur sur certains modèles) émet également un dé clic lors de la mise en marche et de l'arrêt du cycle.	Fonctionnement normal
Hochet	Des bruits de hochet peuvent provenir de l'écoulement du réfrigérant, de la conduite d'eau à l'arrière de l'appareil, ou d'objets rangés sur le dessus ou autour du réfrigérateur.	Fonctionnement normal
	Le réfrigérateur ne repose pas solidement sur le sol.	Le sol est faible ou inégal, ou les pieds de nivellement doivent être réglés. Voir la section Alignement de la porte.
	Le réfrigérateur équipé d'un compresseur linéaire a été secoué pendant qu'il fonctionnait.	Fonctionnement normal
Sifflement	Le moteur du ventilateur de l'évaporateur fait circuler l'air dans le réfrigérateur et le compartiment congélateurs.	Fonctionnement normal
	Le ventilateur du condenseur fait passer de l'air sur le condenseur.	Fonctionnement normal
Gargouillis	Le réfrigérant circule dans le système de refroidissement.	Fonctionnement normal
Éclatement	Contraction et dilatation des parois intérieures en raison des changements de température.	Fonctionnement normal
Grésillement	De l'eau s'égoutte sur le radiateur de dégivrage au cours d'un cycle de dégivrage.	Fonctionnement normal
Vibrations	Si le côté ou l'arrière du réfrigérateur touche un meuble ou un mur, certaines des vibrations normales peuvent produire un son audible.	Pour éliminer le bruit, assurez-vous que les côtés et l'arrière du réfrigérateur ne peuvent pas vibrer contre un mur ou un meuble.
Dripping	L'eau s'écoule dans le bac d'égouttage pendant le cycle de dégivrage.	Fonctionnement normal
Son pulsé ou aigu	Votre réfrigérateur est conçu pour fonctionner plus efficacement afin de maintenir vos aliments à la température souhaitée. Le compresseur à haute efficacité peut faire fonctionner votre nouveau réfrigérateur plus longtemps que l'ancien, mais il est tout de même plus économe en énergie que les modèles précédents. Lorsque le réfrigérateur fonctionne, il est normal d'entendre un son pulsé ou aigu.	Fonctionnement normal

PIÈCES ET CARACTÉRISTIQUES

Problème	Causes possibles	Solutions
Les portes ne se ferment pas correctement ou ne s'ouvrent pas.	Des emballages d'aliments bloquent l'ouverture de la porte.	Réorganisez les contenants alimentaires pour dégager la porte et les clayettes de la porte.
	Le bac à glaçons, le couvercle du bac à légumes, les casseroles, les clayettes, les bacs de la porte ou les paniers ne sont pas en place.	Poussez les bacs à fond et mettez le couvercle du bac à légumes, les casseroles, les clayettes et les paniers dans leur position correcte. Voir la section UTILISATION DE VOTRE RÉFRIGÉRATEUR pour plus d'informations.
	Les portes ont été retirées lors de l'installation du produit et n'ont pas été remises en place correctement.	Retirez et remettez les portes en place conformément à la section Retrait et remplacement des poignées et des portes du réfrigérateur.
	Le réfrigérateur n'est pas correctement mis à niveau.	Reportez-vous à la section Alignement des portes dans la section Installation de la réfrigération pour mettre le réfrigérateur à niveau.
Les portes sont difficiles à ouvrir.	Les joints sont sales ou collants.	Nettoyez les joints et les surfaces qu'ils touchent. Après le nettoyage, appliquez une fine couche de cire pour appareils électroménagers ou de cire de cuisine sur les joints.
	La porte a été fermée récemment.	Lorsque vous ouvrez la porte, de l'air chaud pénètre dans le réfrigérateur. En se refroidissant, l'air chaud peut créer un vide. Si la porte est difficile à ouvrir, attendez une minute pour permettre à la pression de l'air de s'équilibrer, puis vérifiez si elle s'ouvre plus facilement.
Le réfrigérateur vacille ou semble instable.	Les pieds de mise à niveau ne sont pas réglés correctement.	Reportez-vous à la section Mise à niveau et alignement de la porte.
	Le sol n'est pas de niveau.	Il peut être nécessaire d'ajouter des cales sous les pieds de réglage ou les roulettes pour terminer l'installation.
Les lumières ne fonctionnent pas.	Une ampoule a grillé. REMARQUE : La lampe du compartiment du réfrigérateur est un éclairage intérieur à diodes électroluminescentes (DEL) et son entretien doit être effectué par un technicien qualifié.	Reportez-vous à la section Remplacement des ampoules.

Kenmore[®]

**For Customer Care go to:
Para Atención al Cliente vaya a:
Pour L'assistance à la Clientèle, voir:
www.kenmore.com/contact-us/**

to select your local area or retailer where this appliance was purchased for contact information on scheduling in-home repair service or ordering replacement parts.

Para seleccionar su área local o minorista donde compró este electrodoméstico y obtener información de contacto para programar un servicio de reparación en el hogar o solicitar piezas de repuesto, visite.

Pour sélectionner votre région locale ou détaillant où cet appareil a été acheté et obtenir les coordonnées pour planifier un service de réparation à domicile ou commander des pièces de rechange, veuillez consulter

