

# UPRIGHT FREEZER OWNER'S MANUAL

# MANUEL D'UTILISATION DU CONGÉLATEUR

## VERTICAL

---

### Table of Contents/Table des matières

|  |    |   |    |
|--|----|---|----|
| <b>FREEZER SAFETY</b> .....                            | 2  | <b>SÉCURITÉ DU CONGÉLATEUR</b> .....  | 11 |
| Freezer Safety .....                                   | 2  | Sécurité du congélateur .....   | 11 |
| <b>MAINTENANCE AND CARE</b> .....                      | 3  | <b>ENTRETIEN ET RÉPARATION</b> .....  | 12 |
| Cleaning Your Frost-Free Freezer (on some models)..... | 3  | Nettoyage du congélateur sans givre (sur certains modèles).....                       | 12 |
| Changing the Light Bulb .....                          | 5  | Dégivrage et nettoyage du congélateur à dégivrage manuel (sur certains modèles) ..... | 13 |
| Key Eject Lock .....                                   | 5  | Remplacer l'ampoule d'éclairage.....  | 14 |
| Ensuring Proper Air Circulation .....                  | 5  | Serrure à éjection de clé.....  | 15 |
| Power Interruptions .....                              | 5  | Pour assurer une circulation d'air correcte.....                                      | 15 |
| Moving Care .....                                      | 5  | Pannes de courant .....   | 15 |
| <b>INSTALLATION INSTRUCTIONS</b> .....                 | 6  | Précautions à prendre avant un déménagement.....                                      | 15 |
| Unpacking Your Freezer.....                            | 6  | <b>INSTRUCTIONS D'INSTALLATION</b> .....  | 15 |
| Electrical Requirements .....                          | 6  | Déballage du congélateur .....  | 15 |
| Location Requirements .....                            | 7  | Spécifications électriques .....  | 16 |
| Water Supply Requirements (on some models) .....       | 7  | Exigences d'emplacement .....   | 16 |
| Connect the Water Supply .....                         | 7  | Spécifications de l'alimentation en eau (sur certains modèles).....                   | 17 |
| Freezer Door .....                                     | 8  | Raccordement à la canalisation d'eau .....  | 17 |
| Freezer Leveling and Door Closing .....                | 9  | Porte du congélateur .....  | 18 |
| Remove and Replace the Handle (on some models).....    | 10 | Nivellement du congélateur et fermeture de la porte .....                             | 19 |
|  |    | Retrait et réinstallation de la poignée (sur certains modèles).....                   | 20 |

# FREEZER SAFETY

## Your safety and the safety of others are very important.

We have provided many important safety messages in this manual and on your appliance. Always read and obey all safety messages.



This is the safety alert symbol.

This symbol alerts you to potential hazards that can kill or hurt you and others.

All safety messages will follow the safety alert symbol and either the word "DANGER" or "WARNING." These words mean:

**▲ DANGER**

**You can be killed or seriously injured if you don't immediately follow instructions.**

**▲ WARNING**

**You can be killed or seriously injured if you don't follow instructions.**

All safety messages will tell you what the potential hazard is, tell you how to reduce the chance of injury, and tell you what can happen if the instructions are not followed.

## IMPORTANT SAFETY INSTRUCTIONS

**WARNING:** To reduce the risk of fire, electric shock, or injury to persons when using your appliance, follow basic precautions, including the following:

- Children should be supervised to ensure that they do not play with the appliance.
- This appliance is not intended for use by persons (including children) with reduced physical, sensory, or mental capabilities, or lack of experience and knowledge, unless they have been given supervision or instruction concerning use of the appliance by a person responsible for their safety.
- Do not use an extension cord.
- If power supply cord is damaged, it must be replaced by the manufacturer, its service agent, or a similarly qualified person in order to avoid a hazard.
- Connect to potable water supply only.
- This appliance is intended to be used in household and similar applications such as: staff kitchen areas in shops, offices, and other working environments; farm houses and by clients in hotels, motels, and other residential-type environments; bed and breakfast-type environments; and catering and similar non-retail applications.
- Do not store explosive substances such as aerosol cans with a flammable propellant in this appliance.
- Do not use replacement parts that have not been recommended by the manufacturer (e.g., parts made at home using a 3D printer).
- Keep ventilation openings, in the appliance enclosure or in the built-in structure, clear of obstruction.
- Do not use mechanical devices or other means to accelerate the defrosting process, other than those recommended by the manufacturer.
- Do not damage the refrigerant circuit.
- Do not use electrical appliances inside the food storage compartments of the appliance, unless they are of the type recommended by the manufacturer.
- Ice make kit can be added to some models. See serial tag inside the food compartment of appliance for ice maker kit model information.
- A qualified service technician must install the water line and ice maker. See installation instructions supplied with ice maker kit for complete details.

**SAVE THESE INSTRUCTIONS**

## Proper Disposal of Your Old Freezer

**WARNING:** Risk of child entrapment. Before you throw away your old refrigerator or freezer:

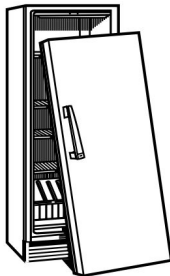
- Take off the doors.
- Leave the shelves in place so that children may not easily climb inside.

### **⚠WARNING**

#### **Suffocation Hazard**

**Remove doors or lid from your old appliance.  
Failure to do so can result in death or brain damage.**

**IMPORTANT:** Child entrapment and suffocation are not problems of the past. Junked or abandoned freezers or refrigerators, are still dangerous, even if they will sit for “just a few days.” If you are getting rid of your old refrigerator or freezer, please follow these instructions to help prevent accidents.



#### **Important information to know about disposal of refrigerants:**

Dispose of freezer in accordance with federal and local regulations. Refrigerants must be evacuated by a licensed, EPA-certified refrigerant technician in accordance with established procedures.

## MAINTENANCE AND CARE

### Cleaning Your Frost-Free Freezer (on some models)

### **⚠WARNING**



#### **Explosion Hazard**

**Risk of Fire or Explosion.  
Flammable Refrigerant Used.  
Do Not Use Mechanical Devices to Defrost Refrigerator.  
Do Not Puncture Refrigerant Tubing.**

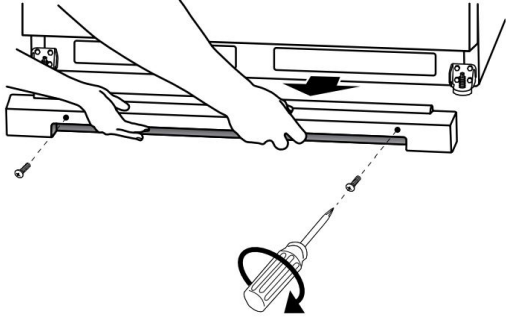
Frost-free means that you will not have to defrost your freezer. Frost is removed by air moving and collecting any moisture and depositing it on the cooling coil. The cooling coil periodically warms up enough to melt the frost and it then flows down to the drain pan (located behind the base grille) where it is evaporated.

Complete cleaning should be done at least once a year.

1. Press and hold Temp Setting for 3 seconds or turn knob to “0” to turn off cooling.
2. Unplug freezer or disconnect power.
3. Remove all frozen food. Wrap frozen food in several layers of newspaper and cover with a blanket. Food will stay frozen for several hours. You may also store frozen food in a cooler, additional refrigerator-freezer, or in a cool area.
4. Remove all removable parts from inside, such as shelves and bins.
5. Hand-wash, rinse, and dry removable parts and interior surfaces thoroughly. Use a clean sponge or soft cloth and a mild detergent in warm water.
  - Do not use abrasive or harsh cleaners such as window sprays, scouring cleansers, flammable fluids, cleaning waxes, concentrated detergents, bleaches, or cleansers containing petroleum products on plastic parts, interior, and door liners or gaskets. Do not use paper towels, scouring pads, or other harsh cleaning tools. These can scratch or damage materials.
  - To help remove odors, you can wash interior walls with a mixture of warm water and baking soda (2 tbs to 1 qt. [26 g to 0.95 L] of water).
6. Replace the removable parts.
7. Use the appropriate cleaning method for your exterior finish.

**Painted metal:** Wash exteriors with a clean sponge or soft cloth and a mild detergent in warm water. Do not use abrasive or harsh cleaners or cleaners designed for stainless steel. Dry thoroughly with a soft cloth.

- Remove the base grille by opening the freezer door and removing the two Phillips-head screws. Pull the grille toward you to remove.



Use a vacuum with an extended attachment to clean the condenser coils when they are dusty or dirty. Coils may need to be cleaned as often as every other month. This may help save energy.

- Replace the base grille by aligning the ends of the grille with the leveling assemblies on each side and snapping the grille into place. Reinstall the screws.
- Replace all frozen food.
- Plug in freezer or reconnect power.
- Set temperature control to desired setting.

## Defrosting and Cleaning Your Manual Defrost Freezer (on some models)

### **⚠ WARNING**



#### **Explosion Hazard**

**Risk of Fire or Explosion.**

**Flammable Refrigerant Used.**

**Do Not Use Mechanical Devices to Defrost Refrigerator.**

**Do Not Puncture Refrigerant Tubing.**

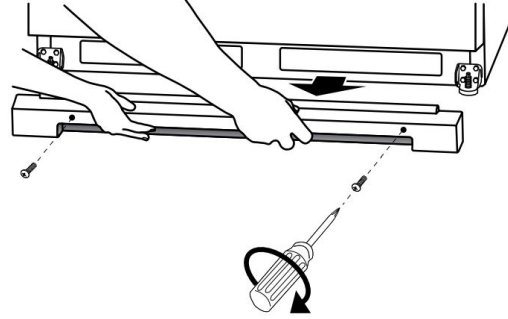
Defrost and clean your freezer when frost has built up to about 1/4" (0.6 cm) thickness, and thoroughly defrost and clean your freezer at least once a year. In high-humidity areas, a freezer may need more frequent defrosting and cleaning.

Do not use abrasive cleaners on your freezer. Do not use cleaning waxes, concentrated detergents, bleaches, or cleaners containing petroleum on plastic parts. Damage can occur.

**NOTE:** The drain cap must be removed before defrosting the freezer and replaced securely afterward.

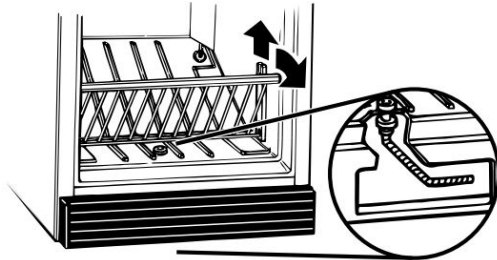
- Press and hold Temp Setting for 3 seconds or turn knob to "0" to turn off cooling.
- Unplug freezer or disconnect power.
- Remove all frozen food. Wrap frozen food in several layers of newspaper and cover with a blanket. Food will stay frozen for several hours. You may also store frozen food in a cooler, an additional refrigerator or freezer, or in a cool area.

- Remove base grille. Open the freezer door and remove the base grille by removing two Phillips-head screws and pulling the grille toward you.



- Reach under the unit and pull the drain hose out through the opening. The drain hose carries defrost water out of the freezer and through the area behind the base grille. Place a large shallow pan under the drain hose. Remove the drain cap inside freezer.

**NOTE:** Check the drain pan frequently to avoid water overflow. Have a second pan handy for easier emptying.



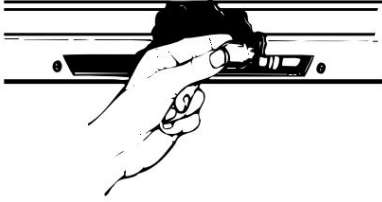
- Place pans of hot water in freezer with door open to speed melting. Directing air from an electric fan into freezer will also help. Do not place fan or any electrical device in freezer.
- Use a plastic scraper to remove frost.  
**NOTE:** Do not use an ice pick, knife, or other sharp-pointed tool to defrost freezer. Damage can occur.
- Wipe water from walls with a towel or sponge.
- Wash the inside walls with a solution of mild detergent in warm water or 2 tbs (26 g) baking soda to 1 qt. (0.95 L) warm water. Do not use abrasive or harsh cleaners.
- Rinse well and wipe dry with a clean soft cloth.
- Use the appropriate cleaning method for your exterior finish.  
**Painted metal:** Wash exteriors with a clean sponge or soft cloth and a mild detergent in warm water. Do not use abrasive or harsh cleaners, or cleaners designed for stainless steel. Dry thoroughly with a soft cloth.
- For models with a drain system, you should replace the drain hose, drain cap, and base grille.
- Replace the base grille by aligning the ends of the grille with the leveling assemblies on each side and snapping the grille into place. Reinstall the screws.
- Replace all frozen food.
- Plug in freezer or reconnect power.
- Set temperature control to desired setting.

## Changing the Light Bulb

**NOTE:** Not all appliance bulbs will fit your freezer. Be sure to replace the bulb with one of the same size, shape, and wattage. Do not use an LED or colored light bulb as a replacement.

### Style 1 – Manual Defrost Models

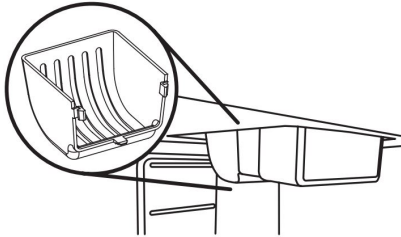
1. Unplug freezer or disconnect power.
2. Reach behind the light lens to remove bulb.



3. Replace bulb with a 40 W maximum appliance bulb.
4. Plug in freezer or reconnect power.

### Style 2 – Automatic Defrost Models

1. Unplug freezer or disconnect power.
2. Remove the light shield by squeezing the lens from the sides, pushing back, and pulling down.



3. Replace bulb with a 40 W maximum appliance bulb or an LED bulb rated for wet/damp locations.

**NOTE:** Some LED replacement light bulbs are not recommended for wet/damp environments. Refrigerator fresh food and freezer compartments are considered wet/damp environments. Read and follow all instructions on the LED packaging when replacing the factory-installed LED bulb. A replacement LED bulb can be purchased from an authorized dealer.

4. Replace the light shield.
5. Plug in freezer or reconnect power.

## Key Eject Lock

### **⚠ WARNING**

#### **Entrapment Hazard**

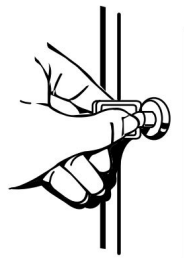
**Keep key away from children.**

**Failure to do so can result in death, suffocation, or frostbite.**

To lock or unlock the freezer, you must hold the key in the lock while turning. The lock is spring-loaded, so the key cannot be left in the lock.

If the key is lost, contact your dealer for a replacement. Always give the model and serial number of your freezer when requesting a replacement key.

**NOTE:** Keep the key out of the reach of children. Do not keep the key close to the freezer/refrigerator.

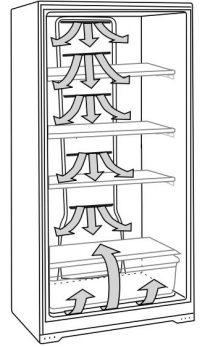


## Ensuring Proper Air Circulation

In order to ensure proper temperature, you need to permit proper airflow in the freezer. As shown in the illustration, cool air enters from the freezer wall and moves down. The air then recirculates through the vent near the bottom.

Do not block any of these vents with food packages. If the vents are blocked, airflow will be restricted and temperature and moisture problems may occur.

**IMPORTANT:** To avoid odor transfer and drying out of food, wrap or cover foods tightly.



## Power Interruptions

If the power will be out for 24 hours or less, keep the door closed to help food stay cold and frozen.

If the power will be out for more than 24 hours, do one of the following:

- Remove all frozen food and store it in a frozen food locker.
- If a food locker is not available, consume or can perishable food at once.

**REMEMBER:** A full freezer stays cold longer than a partially filled one. A freezer full of meat stays cold longer than a freezer full of baked goods. If you see that food contains ice crystals, it may be refrozen, although the quality and flavor may be affected. If the condition of the food is poor, dispose of it.

## Moving Care

When you are moving your freezer to a new home, follow these steps to prepare it for the move.

1. Remove all frozen food.
2. Unplug the freezer.
3. Take out all removable parts, wrap them well, and tape them together so they don't shift and rattle during the move.
4. Clean the freezer thoroughly.
5. Tape the freezer shut and tape the electrical cord to the cabinet.

When you get to your new home, refer to your Quick Start Guide and the "Installation Instructions" of your Owner's Manual for information on installation and setting the controls.

# INSTALLATION INSTRUCTIONS

## Unpacking Your Freezer

### **⚠WARNING**

#### Excessive Weight Hazard

Use two or more people to move and install or uninstall appliance.

Failure to do so can result in back or other injury.

### Remove Packaging Materials

- Remove tape and glue residue from surfaces before turning on the freezer. Rub a small amount of liquid dish soap over the adhesive with your fingers. Wipe with warm water and dry.
- Do not use sharp instruments, rubbing alcohol, flammable fluids, or abrasive cleaners to remove tape or glue. These products can damage the surface of your freezer. For more information, see the "Upright Freezer Safety" section.

### When Moving Your Freezer

Your freezer is heavy. When moving the freezer for cleaning or service, be sure to cover the floor with cardboard or hardboard to avoid floor damage. Always pull the freezer straight out when moving it. Do not wiggle or "walk" the freezer when trying to move it, as floor damage could occur.

### Clean Before Using

After you remove all of the packaging materials, clean the inside of your freezer before using it. See the cleaning instructions in the "Maintenance and Care" section.

### Important information to know about glass shelves and covers:

Do not clean glass shelves or covers with warm water when they are cold. Shelves and covers may break if exposed to sudden temperature changes or impact, such as bumping. Tempered glass is designed to shatter into many small, pebble-size pieces. This is normal. Glass shelves and covers are heavy. Use both hands when removing them to avoid dropping.

## Electrical Requirements

### **⚠WARNING**



#### Electrical Shock Hazard

Plug into a grounded 3 prong outlet.

Do not remove ground prong.

Do not use an adapter.

Do not use an extension cord.

Failure to follow these instructions can result in death, fire, or electrical shock.

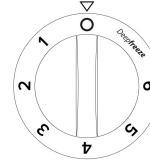
Before you move your freezer into its final location, it is important to make sure you have the proper electrical connection.

### Recommended Grounding Method

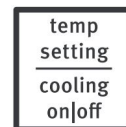
A 115 V, 60 Hz, AC-only, 15 A or 20 A fused, grounded electrical supply is required. It is recommended that a separate circuit serving only your freezer be provided. Use an outlet that cannot be turned off by a switch. Do not use an extension cord.

**NOTE:** Before performing any type of installation, cleaning, or removing a light bulb, turn knob to "0" on manual defrost models, or press and hold Temp Setting for 3 seconds on automatic defrost models to turn off cooling. Then disconnect the freezer from the electrical source.

### Style 1 – Manual Defrost Models




### Style 2 – Automatic Defrost Models



hold 3 sec.

# Location Requirements

**⚠ WARNING**



**Explosion Hazard**

**Keep flammable materials and vapors, such as gasoline, away from appliance.**

**Use nonflammable cleaner.**

**Failure to do so can result in death, explosion, or fire.**

### Ventilation and Clearance

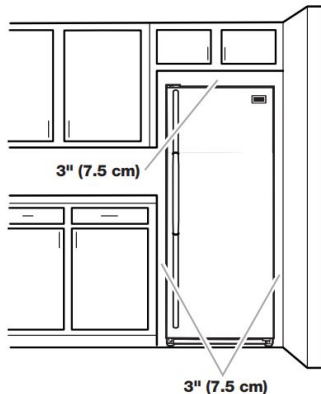
- Keep flammable materials and vapors, such as gasoline, away from freezer.
- Do not cover the freezer with items such as blankets, sheets, and tablecloths. This reduces air circulation.
- Allow at least a 3" (7.5 cm) clearance on both sides of the freezer and 2" (5 cm) between the back of the freezer and the wall. If the freezer is to be next to a fixed wall, leave extra space on the hinge side so the door can open wider.

### Temperature

Your freezer operates most efficiently when located in an area where the temperature will not fall below 40°F (5°C). Place your freezer in a location where the temperature will not fall below this recommended temperature.

### Upon Moving to Final Location

- Below dimensions are applicable for Upright Freezers of 16", 18", 20" when they are not side kicks.



- For Side Kicks and Refrigerators refer below informations

**NOTE:** This freezer may be installed side by side with another freezer or refrigerator. Allow for a 1" (2.54 cm) space behind the freezer and a 1/4" (6.4 mm) clearance between the appliances.

## Water Supply Requirements (on some models)

Gather the required tools and parts before starting installation. Read and follow the instructions provided with any tools listed here.

### Tool Needed:

- Flat-blade screwdriver
- 7/16" and 1/2" open-end or 2 adjustable wrenches
- 1/4" nut driver
- 1/4" drill bit
- Cordless drill

### NOTE:

Your freezer dealer has a kit available with a 1/4" (6.35 mm) saddle-type shutoff valve, a union, and PEX tubing. Before purchasing, make sure a saddle-type valve complies with your local plumbing codes. Do not use a piercing-type or 3/16" (4.76 mm) saddle valve which reduces water flow and clogs more easily.

### IMPORTANT:

- If you turn on the freezer before the water line is connected, turn off the ice maker.
- All installations must meet local plumbing code requirements.
- Use PEX tubing and check for leaks. Install PEX tubing only in areas where temperatures will remain above freezing.

### Water Pressure

A cold water supply with water pressure between 30 and 120 psi (207 to 827 kPa) is required to operate the water dispenser and ice maker. If you have questions about your water pressure, see "Troubleshooting" online or call a licensed, qualified plumber.

### Reverse Osmosis Water Supply

If a reverse osmosis water filtration system is connected to your cold water supply, the water pressure to the system needs to be a minimum of 40 to 60 psi (276 to 414 kPa).

If the water pressure to the reverse osmosis system is less than 40 to 60 psi (276 to 414 kPa), a booster pump can be inserted into the small tubing that goes from the cold water line to the reverse osmosis system.

If the water dispenser is still not dispensing water properly:

- Check to see whether the sediment filter in the reverse osmosis system is blocked. Replace the filter if necessary.
- Allow the storage tank on the reverse osmosis system to refill after heavy usage.
- If your refrigerator has a water filter, it may further reduce the water pressure when used in conjunction with a reverse osmosis system. Remove the water filter.

If you have questions about your water pressure, refer to "Troubleshooting" online or call a licensed, qualified plumber.

## Connect the Water Supply

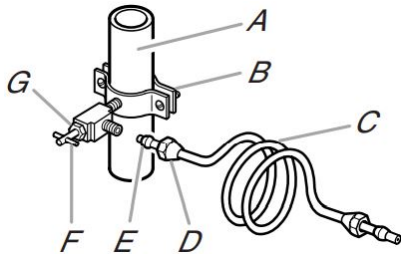
### Connect to Water Line

1. Unplug freezer or disconnect power.
2. Turn off main water supply. Turn on nearest faucet long enough to clear line of water.
3. Locate a 1/2" to 1 1/4" (12.7 mm to 3.18 cm) vertical cold water pipe near the freezer.

### IMPORTANT:

- Make sure it is a cold water pipe.
- Horizontal pipe will work, but drill on the top side of the pipe, not the bottom. This will help keep water away from the drill and normal sediment from collecting in the valve.
- 4. Determine the length of copper or PEX tubing you need. Measure from the connection on the lower-left rear of freezer to the water pipe. Add 7 ft. (2.1 m) to allow for cleaning. Use 1/4" (6.35 mm) O.D. (outside diameter) copper or PEX tubing. Be sure both ends of copper or PEX tubing are cut square.

- Using a cordless drill, drill a 1/4" (6.35 mm) hole in the cold water pipe you have selected.

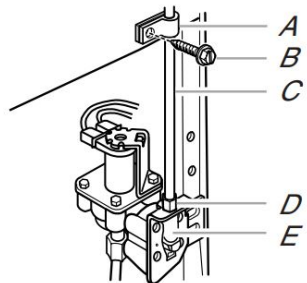


- |                         |                       |
|-------------------------|-----------------------|
| A. Cold water pipe      | E. Compression sleeve |
| B. Pipe clamp           | F. Shutoff valve      |
| C. Copper or PEX tubing | G. Packing nut        |
| D. Compression nut      |                       |

- Fasten the shutoff valve to the cold water pipe with the pipe clamp. Be sure the outlet end is solidly in the 1/4" (6.35 mm) drilled hole in the water pipe and that the washer is under the pipe clamp. Tighten the packing nut. Tighten the pipe clamp screws slowly and evenly so washer makes a watertight seal. Do not overtighten or you may crush the copper or PEX tubing.
- Slip the compression sleeve and compression nut on the copper or PEX tubing as shown. (Pex tubing is supplied with the compression sleeve and nut installed.) Insert the end of the tubing into the outlet end squarely as far as it will go. Screw compression nut onto outlet end with adjustable wrench. Do not overtighten.
- Place the free end of the tubing in a container or sink and turn on the main water supply. Flush the tubing until water is clear. Turn off the shutoff valve on the water pipe. Coil the copper or PEX tubing.

#### Connect to Freezer

- Attach the copper or PEX tube to the valve inlet using a compression nut and sleeve as shown. Tighten the compression nut. Do not overtighten.



- |                         |                    |
|-------------------------|--------------------|
| A. Tube clamp           | D. Compression nut |
| B. Tube clamp screw     | E. Valve inlet     |
| C. Copper or PEX tubing |                    |

- Use the tube clamp on the back of the freezer to fasten the tubing to the freezer as shown. This will help avoid damage to the tubing when the freezer is pushed back against the wall.
- Turn shutoff valve on.
- Check for leaks. Tighten any connections (including connections at the valve) or nuts that leak.
- The ice maker is equipped with a built-in water strainer. If your water conditions require a second water strainer, install it in the 1/4" (6.35 mm) water line at either tube connection. Obtain a water strainer from your nearest appliance dealer.

## WARNING



### Electrical Shock Hazard

**Plug into a grounded 3 prong outlet.**

**Do not remove ground prong.**

**Do not use an adapter.**

**Do not use an extension cord.**

**Failure to follow these instructions can result in death, fire, or electrical shock.**

- Plug into a grounded 3-prong outlet.

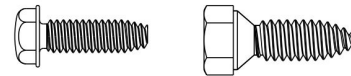
## Freezer Door

**Tools Needed:** 5/16" hex-head socket wrench, 3/8" hex-head socket wrench, flat 2" putty knife

### IMPORTANT:

- All graphics referenced in the following instructions are included at the end of this Manual. The graphics shown are for a right-hand-swing door (hinges factory-installed on the right).
- If you only want to remove and replace the door, see "Remove Door and Hinges" and "Replace Door and Hinges."
- Before you begin, turn off the control, and remove food and adjustable door or utility bins from door.

### Remove Door and Hinges



Hex-Head Hinge Screws

- Unplug freezer or disconnect power.
- Keep the freezer door closed until you are ready to lift it free from the cabinet.
 

**NOTE:** Provide additional support for the door while the hinges are being moved. Do not depend on the door magnets to hold the door in place while you are working.
- Remove the parts for the top hinge as shown in "Top Hinge" graphic.
- Lift the freezer door free from the lower hinge and cabinet and set aside.
- Remove the four hex-head hinge screws and bottom hinge assembly. See "Bottom Hinge" graphic.

### Reverse Door (optional on some models)

**IMPORTANT:** If you want to reverse your door so that it opens in the opposite direction, continue with "Reverse Door (optional on some models)" instructions. If you are not reversing the door, see "Replace Door and Hinges."

### Cabinet

- Remove the cabinet hinge hole plugs from the cabinet top and move them to the opposite side hinge holes as shown in Graphic 2.
- Remove the bottom hinge pin from the hinge bracket.
- Remove the decals covering the holes on the opposite side of the bottom hinge.
- Reinstall the bottom hinge pin in the alternate hole in the hinge bracket. See Graphic 3.



- Reinstall the hinge bracket to the cabinet with the four hex-head hinge screws.

#### Door

- On some models, remove the hinge hole plug from the top of the door.
- Remove the door stop from the bottom of the door.
- Move the door stop to the opposite side, making sure that the hole in the door stop bracket is aligned perfectly with the hole in the door for the bottom hinge pin.
- Using the screws removed in step 2, fasten the door stop bracket to the bottom of the door.
- Tighten all screws. Set aside the door until the bottom hinge is in place.

#### Replace Door and Hinges

**NOTE:** Graphic may be reversed if door swing is reversed.

- Replace the parts for the bottom hinge as shown and tighten screws. See "Bottom Hinge" graphic. Replace the freezer door.  
**NOTE:** Provide additional support for the door while the hinges are being moved. Do not depend on the door magnets to hold the door in place while you are working.

- Assemble the parts of the top hinge as shown in the "Top Hinge" graphic. Do not tighten the screws completely.

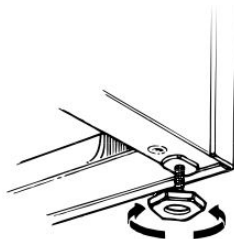
#### Final Steps

- Check all holes to make sure that hole plugs and screws are in place. Reinstall top hinge cover. See "Top Hinge" graphic.
- Using the provided decals, cover the remaining holes located on the side opposite the bottom hinge.
- Plug into grounded 3-prong outlet.
- Reset the control.
- Return all removable door parts to door and food to freezer.

## Freezer Leveling and Door Closing

#### Style 1 – Without Grille

- Locate the two front leveling legs taped among the packing materials.
- Screw these legs into the front holes on the bottom of the freezer. The back of the freezer rests on two fixed supports.
- Adjust the front legs enough to lift the cabinet up off the floor.
- Place a leveling tool on top of the freezer first side to side, then front to back. Turn leg counterclockwise to raise a corner. Turn leg clockwise to lower a corner.



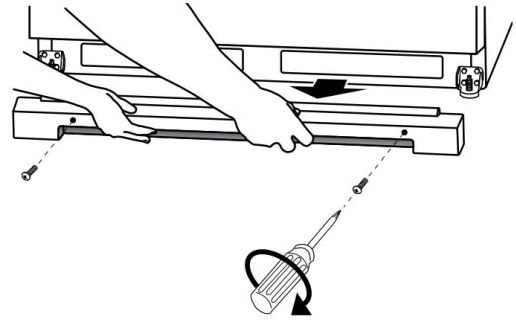
- Repeat step 4 until freezer is level.
- After freezer is fully loaded with food, recheck with level as in step 4.

#### Style 2 – With Grille

Your freezer has two front adjustable legs—one on each side. The back of the freezer rests on two fixed rollers. The base grille covers the adjustable brake feet and roller assemblies located at the bottom of the freezer below the freezer door. Before making any adjustments, remove the base grille and move the freezer to its final location.

**Tools Needed:** 1/4" hex driver, Phillips screwdriver

- Remove the base grille screws. Grasp the grille firmly and pull it toward you. Open the freezer door to access the brake feet.  
**NOTE:** To allow the freezer to roll more easily, raise the brake feet by turning them counterclockwise. The front rollers will be touching the floor.



- Move the freezer to its final location.
- Lower the brake feet, by turning them clockwise, until the rollers are off the floor and both brake feet are snug against the floor. This keeps the freezer from rolling forward when opening the freezer door.

**IMPORTANT:** If you need to make further adjustments involving the brake feet, you must turn both brake feet the same amount to keep the freezer level.

- Make sure the door closes easily. If you are satisfied with the door opening and closing, skip the next section. If, however, the door does not close easily or the door pops open, adjust the tilt.

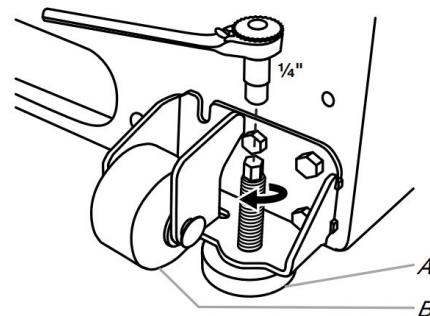
#### To Adjust the Cabinet Tilt:

**NOTE:** Having someone push against the top of the freezer takes some weight off the brake feet. This makes it easier to turn them.

- Open the freezer door. Use a 1/4" hex driver to turn both brake feet clockwise the same amount. This will raise the front of the freezer. It may take several turns to allow the door to close more easily.
- Make sure the freezer is steady. If the freezer seems unsteady or rolls forward when the door is pulled open, adjust the brake feet.

#### To Steady the Freezer:

- Open the freezer door. Using a 1/4" hex driver, turn both brake feet clockwise the same amount until the brake feet are snug against the floor. Check again. If not satisfied, continue to adjust the brake feet by half turns of the screw until the freezer does not roll forward when the door is opened.
- Replace the base grille by aligning the ends of the grille with the leveling assemblies on each side and snapping the grille into place. Reinstall the Phillips screws.



A. Brake foot  
B. Front roller

# Remove and Replace the Handle (on some models)

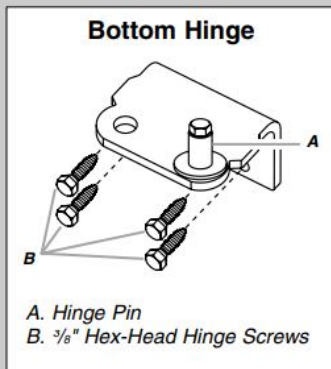
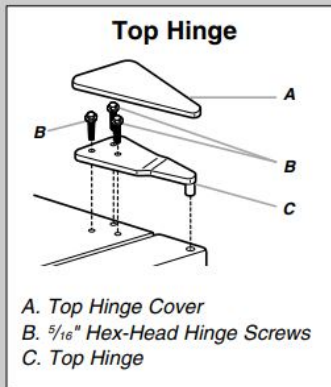
## To Remove the Handle:

1. Loosen the setscrews located on the side of handle at each end. See "Door Swing Reversal and Handle Removal" graphic.
2. Remove the handle from the grommets.

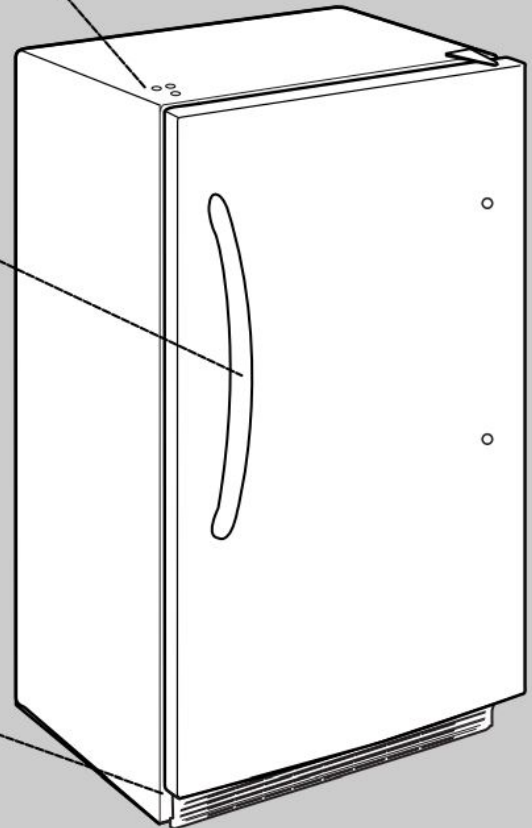
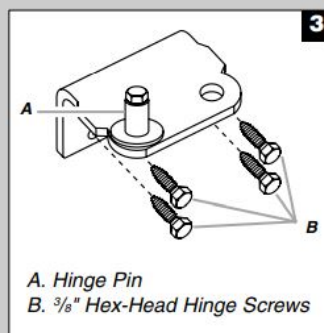
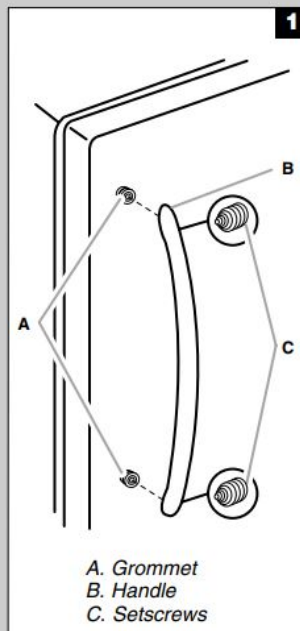
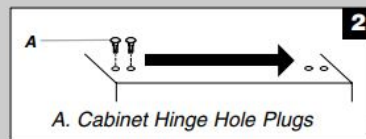
## To Replace the Handle:

1. Place the handle onto the grommets, making sure the grommets are fitted into the handle holes.
2. Tighten the upper and lower setscrews with the hex key provided. See "Door Swing Reversal and Handle Removal" graphic. Do not overtighten the setscrews.

### Door Removal & Replacement



### Door Swing Reversal and Handle Removal (optional)



# SÉCURITÉ DU CONGÉLATEUR

## Votre sécurité et celle des autres sont très importantes.

Nous donnons de nombreux messages de sécurité importants dans ce manuel et sur votre appareil. Assurez-vous de toujours lire tous les messages de sécurité et de vous y conformer.



Voici le symbole d'alerte de sécurité.

Ce symbole d'alerte de sécurité vous signale les dangers potentiels de décès et de blessures graves.

Tous les messages de sécurité suivront le symbole d'alerte de sécurité et le mot « DANGER » ou « AVERTISSEMENT ». Ces mots signifient :

**▲ DANGER**

**Risque possible de décès ou de blessure grave si vous ne suivez pas immédiatement les instructions.**

**▲ AVERTISSEMENT**

**Risque possible de décès ou de blessure grave si vous ne suivez pas les instructions.**

Tous les messages de sécurité vous diront quel est le danger potentiel, comment réduire le risque de blessure et ce qui peut se produire en cas de non-respect des instructions.

## INSTRUCTIONS IMPORTANTES DE SÉCURITÉ

**AVERTISSEMENT :** Afin de réduire le risque d'incendie, de décharge électrique ou de blessures corporelles lors de l'utilisation de cet appareil, observer certaines précautions fondamentales, notamment :

- Les enfants doivent être surveillés afin de s'assurer qu'ils ne jouent pas avec l'appareil.
- Cet appareil ne convient pas à une utilisation par des personnes (y compris des enfants) à capacités physiques, sensorielles ou mentales réduites, ou possédant un manque d'expérience et de connaissances, à moins qu'elles ne soient placées sous supervision ou qu'elles aient reçu des instructions concernant l'utilisation de l'appareil par une personne responsable de leur sécurité.
- Ne pas utiliser de rallonge.
- Si le cordon d'alimentation est endommagé, il doit être remplacé par le fabricant, son agent de réparation ou toute autre personne qualifiée afin d'éviter tout danger.
- Brancher sur une alimentation en eau potable uniquement.
- Cet appareil est destiné à un usage domestique et à d'autres usages similaires comme : coins cuisine réservés au personnel des boutiques, des bureaux et d'autres environnements professionnels; maisons d'hôtes, ainsi que par les clients d'hôtel, de motels et d'autres installations d'hébergement; gîtes touristiques; et banquets et autres utilisations non commerciales semblables.
- Ne pas entreposer de substances explosives comme des aérosols avec agent propulseur inflammable dans cet appareil.
- Ne pas utiliser de pièces de remplacement qui n'ont pas été recommandées par le fabricant (c.-à-d., pièces fabriquées à la maison à l'aide d'une imprimante 3D).
- Garder les événements à l'intérieur de l'enceinte de l'appareil ou de la structure encastrée exempte d'obstacles.
- Ne pas utiliser des appareils mécaniques ou autres moyens pour accélérer le processus de dégivrage, autre que ceux recommandés par le fabricant.
- Ne pas endommager le circuit réfrigérant.
- Ne pas utiliser des appareils électriques à l'intérieur des compartiments d'aliments de l'appareil, à moins qu'ils soient de type recommandé par le fabricant.
- L'ensemble de machine à glaçons peut être ajouté à certains modèles. Consulter la plaque signalétique située à l'intérieur du compartiment pour les aliments de l'appareil pour obtenir les informations concernant le modèle d'ensemble de machine à glaçons.
- L'installation de la canalisation d'eau et de la machine à glaçons doit être effectuée par un technicien de service qualifié. Consulter les instructions d'installation fournies avec l'ensemble de machine à glaçons pour tous les détails.

**CONSERVER CES INSTRUCTIONS**

## Mise au rebut du vieux congélateur

**AVERTISSEMENT : Un enfant peut rester piégé. Avant de jeter votre vieux réfrigérateur ou congélateur :**

- Enlever les portes.
- Laisser les tablettes en place de sorte que les enfants ne puissent pas y pénétrer facilement.

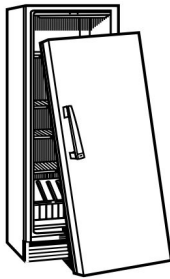
### **⚠ AVERTISSEMENT**

#### **Risque de suffoquer**

**Enlever les portes ou le couvercle de votre vieil appareil.**

**Le non-respect de cette instruction peut causer un décès ou des lésions cérébrales.**

**IMPORTANT :** Le risque qu'un enfant puisse se retrouver coincé et suffoquer n'est pas chose du passé. Les réfrigérateurs et congélateurs jetés ou abandonnés sont toujours dangereux, même s'ils ne restent à l'extérieur que pour « quelques jours seulement ». Si vous vous débarrassez de votre vieux réfrigérateur ou congélateur, veuillez suivre les instructions suivantes pour aider à éviter les accidents.



#### **Informations importantes à connaître pour l'élimination du liquide réfrigérant :**

Jeter le congélateur conformément aux règlements fédéraux et locaux. Les liquides réfrigérants doivent être évacués par un technicien en réfrigération accrédité EPA, conformément aux procédures établies.

## ENTRETIEN ET RÉPARATION

### Nettoyage du congélateur sans givre (sur certains modèles)

### **⚠ AVERTISSEMENT**



#### **Risque d'explosion**

**Risque d'incendie ou d'explosion.**

**Fluide frigorigène inflammable utilisé.**

**Ne pas utiliser d'appareils mécaniques pour dégivrer le réfrigérateur.**

**Ne pas perforer la tubulure de réfrigération.**

Sans givre signifie qu'il ne sera pas nécessaire de dégivrer le congélateur. Le givre est enlevé par le mouvement de l'air qui collecte l'humidité et la dépose sur le serpentin de refroidissement. Le serpentin de refroidissement se réchauffe régulièrement de façon suffisante pour faire fondre le givre qui s'écoule ensuite dans le bac de récupération (situé derrière la grille de la base) d'où elle s'évapore.

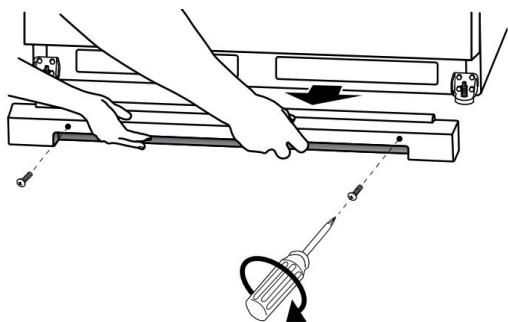
Un nettoyage complet devrait être effectué au moins une fois par an.

1. Maintenir enfoncé pendant 3 secondes le bouton Temp Setting (réglage de la température) ou placer le bouton sur « 0 » pour désactiver le refroidissement.
2. Débrancher le congélateur ou déconnecter la source de courant électrique.
3. Retirer tous les aliments surgelés. Envelopper les aliments surgelés dans plusieurs couches de journal et les couvrir d'une couverture. Les aliments resteront surgelés pendant plusieurs heures. Les aliments surgelés peuvent également être conservés dans une glacière, un congélateur supplémentaire ou un endroit frais.
4. Retirer toutes les pièces amovibles de l'intérieur comme les tablettes et les bacs.

5. Laver à la main, rincer et sécher les pièces amovibles et les surfaces internes soigneusement. Utiliser une éponge propre ou un linge doux et un détergent doux dans de l'eau tiède.
- Ne pas utiliser de nettoyants puissants ou abrasifs tels que les nettoyants à vitre en atomiseurs, nettoyants à récurer, liquides inflammables, cires nettoyantes, détergents concentrés, agents de blanchiment ou nettoyants contenant du pétrole sur les pièces en plastique, les garnitures intérieures et garnitures de portes ou sur les joints de portes. Ne pas utiliser d'essuie-tout, de tampons à récurer ou un autre outil de nettoyage abrasif. Ces produits risquent d'égratigner ou d'endommager les matériaux.
  - Pour aider à éliminer les odeurs, on peut laver les parois intérieures avec un mélange d'eau tiède et de bicarbonate de soude (2 c. à soupe pour 1 pte [26 g pour 0,95 L] d'eau).
6. Remettre en place les parties amovibles.
7. Utiliser la méthode de nettoyage adéquate pour votre finition extérieure.

**Métal peint :** Laver les surfaces extérieures avec une éponge propre ou un linge doux et un détergent doux dans de l'eau tiède. Ne pas utiliser un nettoyant abrasif puissant ou conçu pour l'acier inoxydable. Sécher soigneusement avec un chiffon doux.

8. Retirer la grille de la base en ouvrant la porte du congélateur et en retirant les deux vis cruciformes. Tirer la grille vers soi pour l'enlever.



Employer un aspirateur avec un accessoire long pour nettoyer les serpentins du condenseur lorsqu'ils sont sales ou poussiéreux. Il se peut que les serpentins aient besoin d'être nettoyés tous les deux mois. Ce nettoyage peut aider à économiser de l'énergie.

9. Réinstaller la grille de la base en alignant les extrémités de la grille avec les dispositifs de nivellement de chaque côté et emboîter la grille. Réinstaller les vis.
10. Replacer tous les aliments surgelés.
11. Brancher le congélateur ou reconnecter la source de courant électrique.
12. Régler la commande de température au réglage désiré.

## Dégivrage et nettoyage du congélateur à dégivrage manuel (sur certains modèles)

### ⚠ Avertissement



#### Risque d'explosion

**Risque d'incendie ou d'explosion.**

**Fluide frigorigène inflammable utilisé.**

**Ne pas utiliser d'appareils mécaniques pour dégivrer le réfrigérateur.**

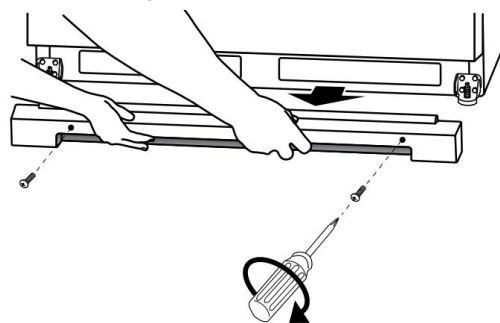
**Ne pas perforer la tubulure de réfrigération.**

Dégivrer et nettoyer votre congélateur lorsque du givre forme une couche de 1/4 po (0,6 cm) d'épaisseur. Effectuer un dégivrage et un nettoyage au moins une fois par année. Dans les endroits très humides, il peut être nécessaire de procéder à un dégivrage et un nettoyage plus fréquent du congélateur.

Ne pas utiliser de nettoyants abrasifs sur votre congélateur. Ne pas utiliser de cires nettoyantes, de détergents concentrés, d'eau de Javel ou de produits contenant du pétrole sur les pièces en plastique. Cela pourrait endommager le produit.

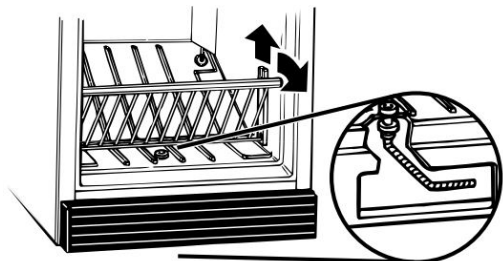
**REMARQUE :** Le bouchon de vidange doit être enlevé avant le dégivrage du congélateur et remis en place après.

1. Maintenir enfoncé pendant 3 secondes le bouton Temp Setting (réglage de la température) ou placer le bouton sur « 0 » pour désactiver le refroidissement.
2. Débrancher le congélateur ou déconnecter la source de courant électrique.
3. Retirer tous les aliments surgelés. Envelopper les aliments surgelés dans plusieurs couches de journal et les couvrir d'une couverture. Les aliments resteront surgelés pendant plusieurs heures. Les aliments surgelés peuvent également être conservés dans une glacière, un congélateur supplémentaire ou un endroit frais.
4. Enlever la grille de la base. Ouvrir la porte du congélateur et retirer la grille de la base en enlevant les deux vis cruciformes et en tirant la grille vers soi.



5. Passer la main sous l'appareil et tirer le tuyau de vidange par l'ouverture. Le tuyau de vidange transporte l'eau de dégivrage à l'extérieur du congélateur et dans la zone derrière la grille de la base. Placer un plat large et peu profond sous le tuyau de vidange. Retirer le bouchon de drain situé à l'intérieur du congélateur.

**REMARQUE :** Vérifier fréquemment le plat de vidange pour éviter qu'il ne déborde. Prévoir un second récipient pour les vider facilement.



6. Placer des plats d'eau chaude dans le congélateur et laisser la porte ouverte pour accélérer le dégivrage. Diriger le flux d'air produit par un ventilateur dans le congélateur aidera aussi. Ne pas placer le ventilateur ou tout autre appareil électrique dans le congélateur.
7. Utiliser un racloir en plastique pour enlever le givre.
 

**REMARQUE :** Ne pas utiliser de pic à glace, couteau ou autre outil pointu pour dégivrer le congélateur. Cela pourrait endommager le produit.
8. Essuyer l'eau sur les parois avec une serviette ou une éponge.
9. Laver les parois intérieures avec une solution de détergent doux et d'eau tiède ou 2 cuillères à café (26 g) de bicarbonate de soude dilué dans 0,95 L (1 pte) d'eau tiède. Ne pas utiliser de nettoyants abrasifs ou puissants.
10. Bien rincer et essuyer avec un chiffon propre et doux.
11. Utiliser la méthode de nettoyage adéquate pour votre finition extérieure.
 

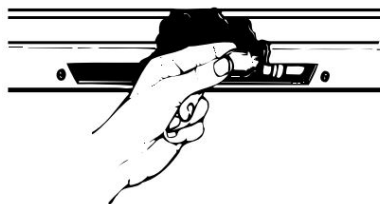
**Métal peint :** Laver les surfaces extérieures avec une éponge propre ou un linge doux et un détergent doux dans de l'eau tiède. Ne pas utiliser un nettoyant abrasif puissant ou conçu pour l'acier inoxydable. Sécher soigneusement avec un chiffon doux.
12. Pour les modèles avec un système de drainage, replacer le tuyau de vidange, le bouchon de drain et la grille de la base.
13. Réinstaller la grille de la base en alignant les extrémités de la grille avec les dispositifs de nivellement de chaque côté et emboîter la grille. Réinstaller les vis.
14. Replacer tous les aliments surgelés.
15. Brancher le congélateur ou reconnecter la source de courant électrique.
16. Régler la commande de température au réglage désiré.

## Remplacer l'ampoule d'éclairage

**REMARQUE :** Les ampoules pour électroménagers ne conviennent pas toutes pour le congélateur. S'assurer de remplacer l'ampoule par une ampoule de taille, de forme et de puissance semblables. Ne pas utiliser une ampoule à DEL ou colorée pour le remplacement.

### Style 1 – Modèles à dégivrage manuel

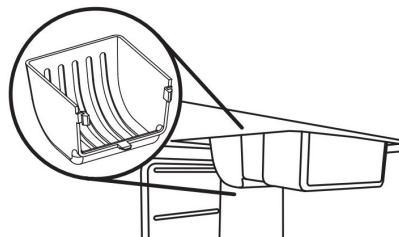
1. Débrancher le congélateur ou déconnecter la source de courant électrique.
2. Retirer l'ampoule en passant derrière le protecteur.



3. Remplacer l'ampoule par une ampoule d'une puissance maximum de 40 W.
4. Brancher le congélateur ou reconnecter la source de courant électrique.

### Style 2 – Modèles à dégivrage automatique

1. Débrancher le congélateur ou déconnecter la source de courant électrique.
2. Retirer le protège-ampoule en appuyant sur les côtés du couvercle, en poussant et en tirant vers le bas.



3. Remplacer l'ampoule par une ampoule pour appareil ménager d'une puissance maximale de 40 W ou une ampoule à DEL conçue pour un emplacement humide/mouillé.

**REMARQUE :** Certaines DEL de rechange ne sont pas recommandées pour des environnements humides/mouillés. Les compartiments de réfrigération et de congélation sont considérés comme des environnements humides/mouillés. Lire et suivre les instructions sur l'emballage des DEL au moment de remplacer l'ampoule DEL installée à l'usine. Une ampoule DEL de rechange peut être achetée chez un revendeur agréé.

4. Réinstaller le protège-ampoule.
5. Brancher le congélateur ou reconnecter la source de courant électrique.

## Serrure à éjection de clé

### ⚠ AVERTISSEMENT

#### Risque d'emprisonnement

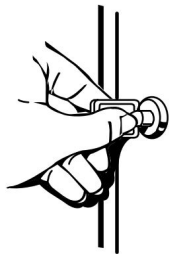
**Garder la clé loin des enfants.**

**Le non-respect de cette instruction peut causer un décès, une suffocation ou des gelures.**

Pour verrouiller ou déverrouiller le congélateur, il faut maintenir la clé dans la serrure pendant qu'on la tourne. La serrure est munie d'un ressort, la clé ne peut donc pas y rester.

Si la clé est perdue, contacter votre revendeur pour la remplacer. Toujours indiquer les numéros de série et de modèle de votre congélateur lors de la demande d'une clé de remplacement.

**REMARQUE :** Garder la clé hors de portée des enfants. Ne pas conserver la clé à proximité du congélateur/réfrigérateur.

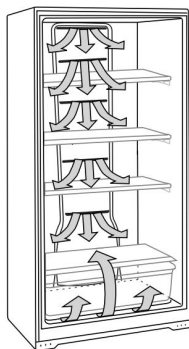


## Pour assurer une circulation d'air correcte

Pour s'assurer d'avoir des températures appropriées, il faut permettre à l'air de circuler correctement dans le congélateur. Comme illustré, l'air froid entre par la paroi du congélateur et descend. L'air recircule ensuite par les ouvertures d'aération situées au bas.

N'obstruer aucune de ces ouvertures d'aération avec des emballages d'aliments. Si les ouvertures d'aération sont bloquées, le flux d'air sera réduit et des problèmes de température et d'humidité peuvent survenir.

**IMPORTANT :** Pour éviter le transfert d'odeurs et l'assèchement des aliments, envelopper ou recouvrir hermétiquement les aliments.



## Pannes de courant

Si le service doit être interrompu pendant 24 heures ou moins, garder la porte fermée pour aider les aliments à demeurer froids et congelés.

Si l'alimentation électrique doit être interrompue pendant plus de 24 heures, faire l'une des choses suivantes :

- Retirer tous les aliments congelés et les entreposer dans un entrepôt frigorifique.
- S'il est impossible d'accéder à un entrepôt, consommer les aliments périssables ou les mettre en conserve immédiatement.

**NE PAS OUBLIER :** Un congélateur plein restera froid plus longtemps qu'un congélateur partiellement rempli. Un congélateur plein de viande demeure froid plus longtemps qu'un congélateur rempli de pains et de pâtisseries. Si les aliments contiennent des cristaux de glace, ils peuvent être remis à congeler, toutefois la qualité et la saveur risquent d'en être affectées. Si les aliments semblent de piètre qualité, les jeter.

## Précautions à prendre avant un déménagement

En cas de déménagement et de déplacement du congélateur dans une nouvelle habitation, suivre ces étapes pour préparer le déménagement.

1. Retirer tous les aliments surgelés.
2. Débrancher le congélateur.
3. Retirer toutes les pièces amovibles, bien les envelopper et les attacher ensemble avec du ruban adhésif pour qu'elles ne bougent et ne s'entrechoquent pas durant le déménagement.
4. Bien nettoyer le congélateur.
5. Maintenir le couvercle fermé à l'aide de ruban. Utiliser aussi du ruban pour maintenir le cordon en place.

Lors du déménagement vers une nouvelle maison, consulter le guide de démarrage rapide et les « Instructions d'installation » du manuel d'utilisation pour obtenir des informations sur l'installation et le réglage des commandes.

## INSTRUCTIONS D'INSTALLATION

### Déballage du congélateur

### ⚠ AVERTISSEMENT

#### Risque de poids excessif

**Utiliser deux personnes ou plus pour déplacer et installer l'appareil.**

**Le non-respect de cette instruction peut causer une blessure au dos ou d'autres blessures.**

### Enlèvement des matériaux d'emballage

- Enlever tout résidu de ruban adhésif et de colle des surfaces avant de le mettre en marche votre congélateur. Frotter une petite quantité de savon liquide à vaisselle sur l'adhésif avec les doigts. Rincer à l'eau tiède et sécher.
- Ne pas utiliser d'instruments coupants, d'alcool à friction, de liquides inflammables ou de nettoyants abrasifs pour enlever le ruban adhésif ou la colle. Ces produits peuvent endommager la surface de votre congélateur. Pour plus de renseignements, voir la section « Sécurité du congélateur vertical ».

### Lors du déplacement du congélateur

Ce congélateur est lourd. Lors du déplacement de ce congélateur pour un nettoyage ou un entretien, veiller à recouvrir le plancher d'un carton ou panneau de fibre dur pour éviter de l'endommager. Toujours tirer le congélateur tout droit lors du déplacement. Ne pas incliner le congélateur d'un côté ou de l'autre ni le « faire marcher » en essayant de le déplacer, car le sol pourrait être endommagé.

### Nettoyage avant utilisation

Après avoir enlevé tous les matériaux d'emballage, nettoyer l'intérieur du congélateur avant de l'utiliser. Voir les instructions de nettoyage dans la section « Entretien et nettoyage ».

### Informations importantes à propos des tablettes et des couvercles en verre :

Ne pas nettoyer les tablettes ou les couvercles de verre avec de l'eau tiède lorsqu'ils sont froids. Les tablettes et couvercles peuvent se briser s'ils sont exposés à un changement de températures ou impact soudain, tel qu'une chute. Le verre trempé est conçu pour se briser en de multiples petits morceaux de la taille de gravillons. Ceci est normal. Les tablettes en verre et les couvercles sont lourds. Employer les deux mains lorsqu'on les retire afin d'éviter de les faire tomber.

## Spécifications électriques

### ⚠ AVERTISSEMENT



#### Risque de décharge électrique

Brancher l'appareil sur une prise à 3 alvéoles reliée à la terre.

Ne pas enlever la prise de liaison à la terre.

Ne pas utiliser d'adaptateur.

Ne pas utiliser de rallonge.

Le non-respect de ces instructions peut causer un décès, un incendie ou une décharge électrique.

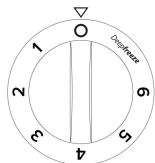
Avant de placer le réfrigérateur à son emplacement final, il est important de s'assurer d'avoir la connexion électrique appropriée.

#### Méthode recommandée de liaison à la terre

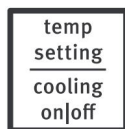
Un circuit de 115 V CA à 60 Hz relié à la terre et protégé par un fusible de 15 A ou 20 A est requis. Il est recommandé d'utiliser un circuit distinct qui n'alimentera que le congélateur. Utiliser une prise de courant dont l'alimentation ne peut pas être interrompue par un interrupteur. Ne pas utiliser de rallonge.

**REMARQUE :** Avant de procéder à tout type d'installation, de nettoyage ou de changement d'une ampoule, tourner le bouton rotatif sur « 0 » sur les modèles à dégivrage manuel, ou appuyer sans relâcher sur Temp setting (réglage de température) pendant 3 secondes sur les modèles à dégivrage automatique pour désactiver le refroidissement, puis déconnecter le congélateur de la source de courant électrique. Déconnecter ensuite le réfrigérateur de la source de courant électrique.

#### Style 1 – Modèles à dégivrage manuel



#### Style 2 – Modèles à dégivrage automatique



hold 3 sec.

## Exigences d'emplacement

### ⚠ AVERTISSEMENT



#### Risque d'explosion

Garder les matières et les vapeurs inflammables, telles que l'essence, à l'écart de l'appareil.

Utiliser un produit de nettoyage ininflammable.

Le non-respect de ces instructions peut causer un décès, une explosion ou un incendie.

#### Ventilation et espace libre

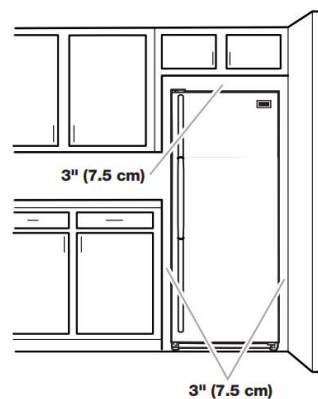
- Garder les matières et vapeurs inflammables, telles que l'essence, loin du congélateur.
- Ne pas couvrir le congélateur d'un drap, d'une couverture ou d'une nappe. Ceci réduit la circulation d'air.
- Laisser au minimum 3 po (7,5 cm) d'espace des deux côtés du congélateur et 2 po (5 cm) entre l'arrière du congélateur et le mur. Si le congélateur doit être placé près d'un mur fixe, laisser un espace supplémentaire côté charnière pour que la porte puisse s'ouvrir en plus grand.

#### Température

Le congélateur fonctionne à son efficacité maximale lorsqu'il se trouve dans un endroit où la température ne descend pas en dessous de 40 °F (5 °C). Installer le congélateur dans un endroit où la température ne descend pas en dessous de cette température recommandée.

#### Lors du déplacement à l'emplacement final

- Les dimensions suivantes sont utilisées pour les congélateurs verticaux de 16 po. 18 po et 20 po lorsqu'ils n'y en a pas plusieurs les uns à côté des autres.



- Pour les appareils mis les uns à côté des autres et les réfrigérateurs, consultez les informations suivantes

**REMARQUE :** Ce congélateur peut être installé côte à côte avec un autre réfrigérateur ou congélateur. Laisser 1 po (2,54 cm) d'espace derrière le congélateur et 1/4 po (6,4 mm) entre les appareils.



## Spécifications de l'alimentation en eau (sur certains modèles)

Rassembler les outils et pièces nécessaires avant d'entreprendre l'installation. Lire et observer les instructions fournies avec chacun des outils de la liste ci-dessous.

### Outillage nécessaire :

- Tournevis à tête plate
- Tourne-écrou de 1/4 po
- Clés ouvertes de 7/16 po et 1/2 po ou 2 clés à molette
- Foret de 1/4 po
- Perceuse sans fil

### REMARQUE :

Votre marchand de réfrigérateurs propose une trousse avec un robinet d'arrêt à étrier de 1/4 po (6,35 mm), un raccord et un tube en polyéthylène réticulé. Avant d'en faire l'achat, s'assurer que le robinet d'arrêt à étrier est conforme aux codes locaux de plomberie. Ne pas employer de robinet d'arrêt à étrier de 3/16 po (4,76 mm) ou de type à percer – ils réduisent le débit d'eau et s'obstruent plus facilement.

### IMPORTANT :

- Si on met le congélateur en marche avant que la canalisation d'eau ne soit raccordée, éteindre la machine à glaçons.
- Toutes les installations doivent être conformes aux exigences des codes locaux de plomberie.
- Utiliser un tuyau en polyéthylène réticulé et vérifier qu'il n'y a pas de fuite. Installer des tuyaux en polyéthylène réticulé seulement là où les températures resteront au-dessus du point de congélation.

### Pression d'eau

Une alimentation en eau froide avec une pression entre 30 et 120 lb/po<sup>2</sup> (207 et 827 kPa) est nécessaire pour faire fonctionner le distributeur d'eau et la machine à glaçons. Pour toute question au sujet de la pression de l'eau, consulter la section « Dépannage » ou faire appel à un plombier qualifié agréé.

### Alimentation en eau par osmose inverse

Si un système de filtration de l'eau par osmose inverse est raccordé à votre alimentation en eau froide, la pression de l'eau au système doit être d'un minimum de 276 à 414 kPa (40 à 60 lb/po<sup>2</sup>).

Si la pression de l'eau au système d'osmose inverse est inférieure à une valeur entre 40 à 60 lb/po<sup>2</sup> (276 à 414 kPa), une pompe de surpression peut être insérée sur le petit tuyau qui va de la canalisation d'eau froide à l'entrée du système d'osmose inverse.

Si le distributeur d'eau ne distribue toujours pas d'eau correctement :

- Vérifier que le filtre à sédiment dans le système à osmose inverse n'est pas obstrué. Remplacer le filtre si nécessaire.
- Laisser le réservoir du système d'osmose inverse se remplir après une utilisation intense.
- Si le réfrigérateur comporte un filtre à eau, celui-ci peut réduire la pression de l'eau lorsqu'il est utilisé avec un système d'osmose inverse. Enlever le filtre à eau.

Pour toute question au sujet de la pression de votre eau, consulter la section « Dépannage » en ligne ou faire appel à un plombier qualifié agréé.

## Raccordement à la canalisation d'eau

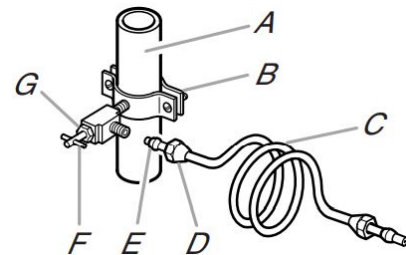
### Raccordement à la canalisation d'eau

1. Débrancher le congélateur ou déconnecter la source de courant électrique.
2. Couper l'alimentation principale en eau. Ouvrir le robinet le plus proche assez longtemps pour vider l'eau du tuyau.

3. Trouver une canalisation d'eau froide verticale de 1/2 po à 1 1/4 po (12,7 mm à 3,18 cm) à proximité du congélateur.

### IMPORTANT :

- Vérifier qu'il s'agit d'une canalisation d'eau froide.
  - On peut aussi utiliser une canalisation horizontale; dans ce cas, on devra percer sur la face supérieure du tuyau et non pas au-dessous. Ceci permet de tenir la perceuse à l'écart de l'eau et d'empêcher les sédiments qu'on trouve normalement dans l'eau de s'accumuler dans le robinet d'arrêt.
4. Déterminer la longueur de la canalisation en cuivre ou en polyéthylène réticulé à utiliser. Mesurer la distance entre le raccord situé sur la partie inférieure arrière gauche du congélateur et la canalisation. Ajouter 7 pi (2,1 m) pour permettre les opérations de nettoyage. Utiliser une canalisation en cuivre ou en polyéthylène réticulé de 1/4 po (6,35 mm) (diamètre externe). Veiller à ce que la canalisation en cuivre ou en polyéthylène réticulé soit coupée d'équerre aux deux extrémités.
  5. À l'aide d'une perceuse sans fil, percer un trou de 1/4 po (6,35 mm) dans la canalisation d'eau froide sélectionnée.

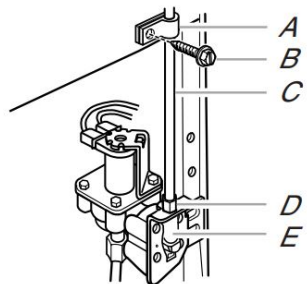


- |  |                           |
|--|---------------------------|
| A. Canalisation d'eau froide                   | E. Virole de compression  |
| B. Bride de tuyau                              | F. Robinet d'arrêt        |
| C. Tuyau en cuivre ou en polyéthylène réticulé | G. Écrou de presse-étoupe |
| D. Écrou de compression                        |                           |

6. Fixer le robinet d'arrêt sur la canalisation d'eau froide avec la bride de tuyau. Veiller à bien insérer l'extrémité de sortie dans le trou de 1/4 po (6,35 mm) de la canalisation d'eau; veiller à placer correctement le joint sous la bride du tuyau. Serrer l'écrou de serrage. Serrer lentement et uniformément les vis fixant la bride de tuyau sur le tuyau afin d'assurer l'étanchéité du joint. Ne pas serrer excessivement, car ceci pourrait provoquer l'écrasement de la canalisation en cuivre ou en polyéthylène réticulé.
7. Enfiler la bague et l'écrou de compression sur la canalisation en cuivre ou en polyéthylène réticulé comme illustré. (Le tuyau en polyéthylène réticulé est fourni avec la virole de compression et l'écrou installés.) Insérer l'extrémité de la canalisation directement dans l'extrémité de sortie, aussi loin que possible. Visser l'écrou de compression sur l'extrémité de sortie du raccord à l'aide d'une clé à molette. Ne pas serrer excessivement.
8. Placer le bout libre de la canalisation dans un contenant ou évier et ouvrir le robinet principal d'alimentation en eau. Laisser l'eau s'écouler par la canalisation jusqu'à ce qu'elle soit limpide. Fermer le robinet d'arrêt de la canalisation d'eau. Lever le tube de cuivre ou de polyéthylène réticulé.

## Raccordement au congélateur

1. Raccorder la canalisation en cuivre ou en polyéthylène réticulé au robinet d'arrivée d'eau à l'aide d'un écrou et d'une bague de compression, comme illustré. Serrer l'écrou de compression. Ne pas serrer excessivement.



- A. Bride de tuyau  
B. Vis de bride de tuyau  
C. Tuyau en cuivre ou en polyéthylène réticulé  
D. Écrou de compression  
E. Orifice d'arrivée d'eau

2. À l'aide de la bride du tuyau à l'arrière du congélateur, fixer le tuyau au congélateur comme illustré. Ceci aide à éviter d'endommager le tube lorsque le réfrigérateur est poussé contre le mur.
3. Ouvrir le robinet d'arrêt.
4. Vérifier qu'il n'y a pas de fuites. Serrer tous les raccords (y compris les raccords du robinet) ou les écrous qui présentent des fuites.
5. La machine à glaçons comporte un filtre à eau incorporé. Si les caractéristiques de l'eau requièrent un second filtre à eau, installer celui-ci dans la canalisation d'eau de 1/4 po (6,35 mm) à l'une ou l'autre des extrémités de la canalisation. Se procurer un filtre à eau auprès de votre revendeur d'appareils ménagers le plus proche.

## ⚠ AVERTISSEMENT



### Risque de décharge électrique

**Brancher l'appareil sur une prise à 3 alvéoles reliée à la terre.**

**Ne pas enlever la prise de liaison à la terre.**

**Ne pas utiliser d'adaptateur.**

**Ne pas utiliser de rallonge.**

**Le non-respect de ces instructions peut causer un décès, un incendie ou une décharge électrique.**

6. Brancher l'appareil dans une prise à 3 alvéoles reliée à la terre.

## Porte du congélateur

**Outils nécessaires :** Clé à douille de 5/16 po, clé à douille de 3/8 po, couteau à mastic plat de 2 po

### IMPORTANT :

- Toutes les illustrations mentionnées dans les instructions suivantes sont incluses plus loin dans ce manuel. Les illustrations correspondent à une porte s'ouvrant à droite (charnières installées à droite à l'usine).
- Si on souhaite seulement enlever et réinstaller les portes, voir les sections « Démontage – Portes et charnières » et « Réinstallation – Portes et charnières ».
- Avant de commencer, fermer la commande et retirer les aliments et tout balconnet réglable ou compartiment utilitaire de la porte.

### Démontage – Porte et charnières



Vis de charnière à tête hexagonale

1. Débrancher le congélateur ou déconnecter la source de courant électrique.
2. Laisser la porte du congélateur fermée jusqu'au moment de la soulever pour la dégager de la caisse.

**REMARQUE :** Prévoir un support additionnel de la porte pendant le déplacement des charnières. La force d'attraction des aimants des portes ne suffit pas à les maintenir en place pendant la manutention.

3. Enlever les pièces de la charnière supérieure – voir l'illustration « charnière supérieure ».
4. Soulever la porte du congélateur pour la séparer de la charnière inférieure et de la caisse et la conserver à part.
5. Retirer les quatre vis de charnière à tête hexagonale et la charnière inférieure. Voir l'illustration « Charnière inférieure ».

### Inversion du sens d'ouverture de la porte (facultatif – sur certains modèles)

**IMPORTANT :** Pour inverser le sens d'ouverture de la porte, suivre les instructions de la section « Inversion du sens d'ouverture de la porte (facultatif – sur certains modèles) ». Si vous ne souhaitez pas inverser le sens d'ouverture des portes, voir la section « Réinstallation des portes et des charnières ».

### Caisse

1. Enlever les bouchons d'obturation des trous de charnière au sommet de la caisse; transférer ceux-ci dans les trous de charnière du côté opposé (voir l'illustration 2).
2. Retirer l'axe de charnière inférieure de la bride de charnière.
3. Retirer les œillets recouvrant les trous du côté opposé de la charnière inférieure.
4. Réinstaller l'axe de charnière dans l'autre trou de la bride de charnière. Voir l'illustration 3.
5. Réinstaller la bride de charnière sur la caisse à l'aide des quatre vis de charnière à tête hexagonale.

### Porte

1. Sur certains modèles, enlever le bouchon d'obturation de charnière au sommet de la porte.
2. Retirer la butée de porte du bas de la porte.
3. Placer la butée de porte du côté opposé en s'assurant que le trou de la bride de butée de porte est parfaitement aligné avec le trou de la porte destiné à l'axe de charnière inférieure.
4. À l'aide des vis retirées à l'étape 2, fixer le support de butée de porte au bas de la porte.
5. Serrer toutes les vis. Conserver la porte du congélateur à part jusqu'à la mise en place de la charnière inférieure.

## Réinstallation – Porte et charnières

**REMARQUE :** Si on inverse le sens d'ouverture de la porte, considérer l'image symétrique.

1. Assembler les pièces de la charnière inférieure (comme indiqué) et serrer les vis. Voir l'illustration « Charnière inférieure ». Réinstaller la porte du congélateur.

**REMARQUE :** Prévoir un support additionnel de la porte pendant le déplacement des charnières. La force d'attraction des aimants des portes ne suffit pas à les maintenir en place pendant la manutention.

2. Assembler les pièces de la charnière supérieure (voir l'illustration « charnière supérieure »). Ne pas serrer complètement les vis.

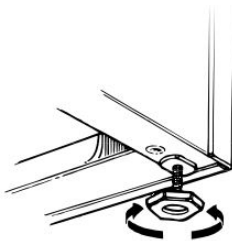
### Étapes finales

1. Inspecter tous les trous. Vérifier que tous les bouchons d'obturation et vis sont en place. Réinstaller le couvercle de la charnière supérieure. Voir l'illustration « charnière supérieure ».
2. À l'aide des œillets fournis, recouvrir les trous restants situés sur le côté opposé de la charnière inférieure.
3. Brancher à une prise à trois alvéoles reliée à la terre.
4. Réinitialiser la commande.
5. Réinstaller toutes les pièces amovibles de la porte et remettre les aliments dans le congélateur.

## Nivellement du congélateur et fermeture de la porte

### Style 1 – Sans grille

1. Repérer les deux pieds de nivellement avant fixés parmi les matériaux d'emballage.
2. Visser ces pieds dans les trous avant situés au bas du congélateur. L'arrière du congélateur repose sur deux supports fixes.
3. Ajuster suffisamment les pieds avant pour séparer la caisse du sol.
4. Placer un niveau au sommet de la caisse du congélateur transversalement, puis dans le sens avant-arrière. Pour soulever un coin, faire tourner le pied dans le sens antihoraire. Pour abaisser un coin, faire tourner le pied dans le sens horaire.



5. Répéter l'étape 4 jusqu'à ce que le congélateur soit d'aplomb.
6. Une fois le congélateur rempli d'aliments, vérifier de nouveau le niveau comme à l'étape 4.

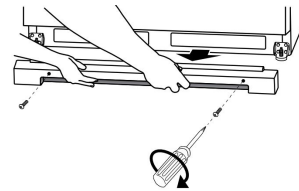
### Style 2 – Avec grille

Le congélateur est équipé de deux pieds avant réglables – un de chaque côté. L'arrière du congélateur repose sur deux roulettes fixes. La grille de base recouvre les pieds de stabilisation réglables et les roulettes situées au bas du congélateur sous la porte du congélateur. Avant de réaliser les ajustements, retirer la grille de la base et déplacer le congélateur à son emplacement définitif.

**Outils nécessaires :** Tourne-écrou de 1/4 po, tournevis cruciforme

1. Retirer les vis de la grille de la base. Saisir la grille fermement et la tirer vers soi. Ouvrir la porte du congélateur pour accéder aux pieds de stabilisation.

**REMARQUE :** Pour permettre au congélateur de rouler plus facilement, soulever le pied de stabilisation en le tournant dans le sens antihoraire. Les roulettes avant toucheront le plancher.



2. Déplacer le congélateur jusqu'à son emplacement final.
3. Abaisser les pieds de stabilisation en les tournant dans le sens horaire, jusqu'à ce que les roulettes ne touchent plus le sol et que les deux pieds de stabilisation soient fermement en appui sur le sol. Cet arrangement vise à empêcher le congélateur de rouler vers l'avant à l'ouverture des portes.  
**IMPORTANT :** Si des ajustements sont nécessaires par la suite et si cela comprend les pieds de stabilisation, les deux pieds de stabilisation doivent être tournés de façon égale pour conserver l'aplomb du congélateur.
4. S'assurer que la porte ferme facilement. Si vous êtes satisfait de la facilité avec laquelle la porte s'ouvre et se ferme, sauter la section suivante. Cependant, si la porte ne ferme pas facilement ou qu'elle s'ouvre d'elle-même, régler l'inclinaison.

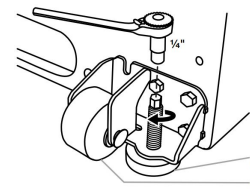
### Ajustement de l'inclinaison de la caisse :

**REMARQUE :** Si une autre personne pousse le haut du congélateur, le poids devient moins lourd sur les pieds de stabilisation. Ceci facilite leur rotation.

- Ouvrir la porte du congélateur. Utiliser un tourne-écrou de 1/4 po pour tourner les deux pieds de stabilisation du même nombre de tours dans le sens horaire. Cela soulève l'avant du congélateur. Cela peut nécessiter plusieurs tours pour permettre à la porte de se fermer plus facilement.
5. S'assurer que le congélateur est stable. Si le congélateur semble instable ou qu'il roule vers l'avant lorsqu'on ouvre la porte, régler les pieds de nivellement.

### Stabilisation du congélateur :

- Ouvrir la porte du congélateur. Utiliser un tourne-écrou de 1/4 po pour tourner les deux pieds de stabilisation du même nombre de tours dans le sens horaire, jusqu'à ce qu'ils soient fermement en appui sur le sol. Vérifier de nouveau. Si le résultat n'est pas satisfaisant, continuer de régler les pieds de nivellement en tournant la vis par demi-tours jusqu'à ce que le congélateur ne roule plus vers l'avant lors de l'ouverture de la porte.
6. Réinstaller la grille de la base en alignant les extrémités de la grille avec les dispositifs de nivellement de chaque côté et emboîter la grille. Réinstaller les vis cruciformes.



A. Pied de stabilisation

B. Roulette avant

# Retrait et réinstallation de la poignée (sur certains modèles)

## Retrait de la poignée :

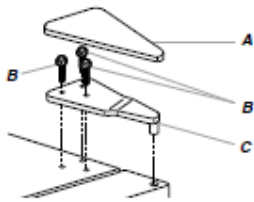
1. Desserrer les vis de blocage situées sur le côté de la poignée à chaque extrémité. Voir l'illustration « Inversion du sens d'ouverture de la porte et retrait de la poignée ».
2. Retirer la poignée des œillets.

## Réinstallation de la poignée :

1. Placer la poignée sur les œillets en s'assurant que les œillets sont bien installés dans les trous de la poignée.
2. Serrer les vis de blocage supérieures et inférieures à l'aide de la clé à tête hexagonale fournie. Voir l'illustration « Inversion du sens d'ouverture de la porte et retrait de la poignée ». Ne pas serrer excessivement les vis de blocage.

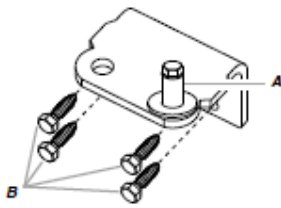
### Dépose et réinstallation de la porte

#### Charnière supérieure



- A. Couverture de charnière supérieure  
B. Vis de charnière à tête hexagonale de 3/8"  
C. Charnière supérieure

#### Charnière inférieure



- A. Vis de butée de porte  
B. Vis de charnière à tête hexagonale de 3/8"

### Inversion du sens d'ouverture de la porte et retrait de la poignée (facultatif)

