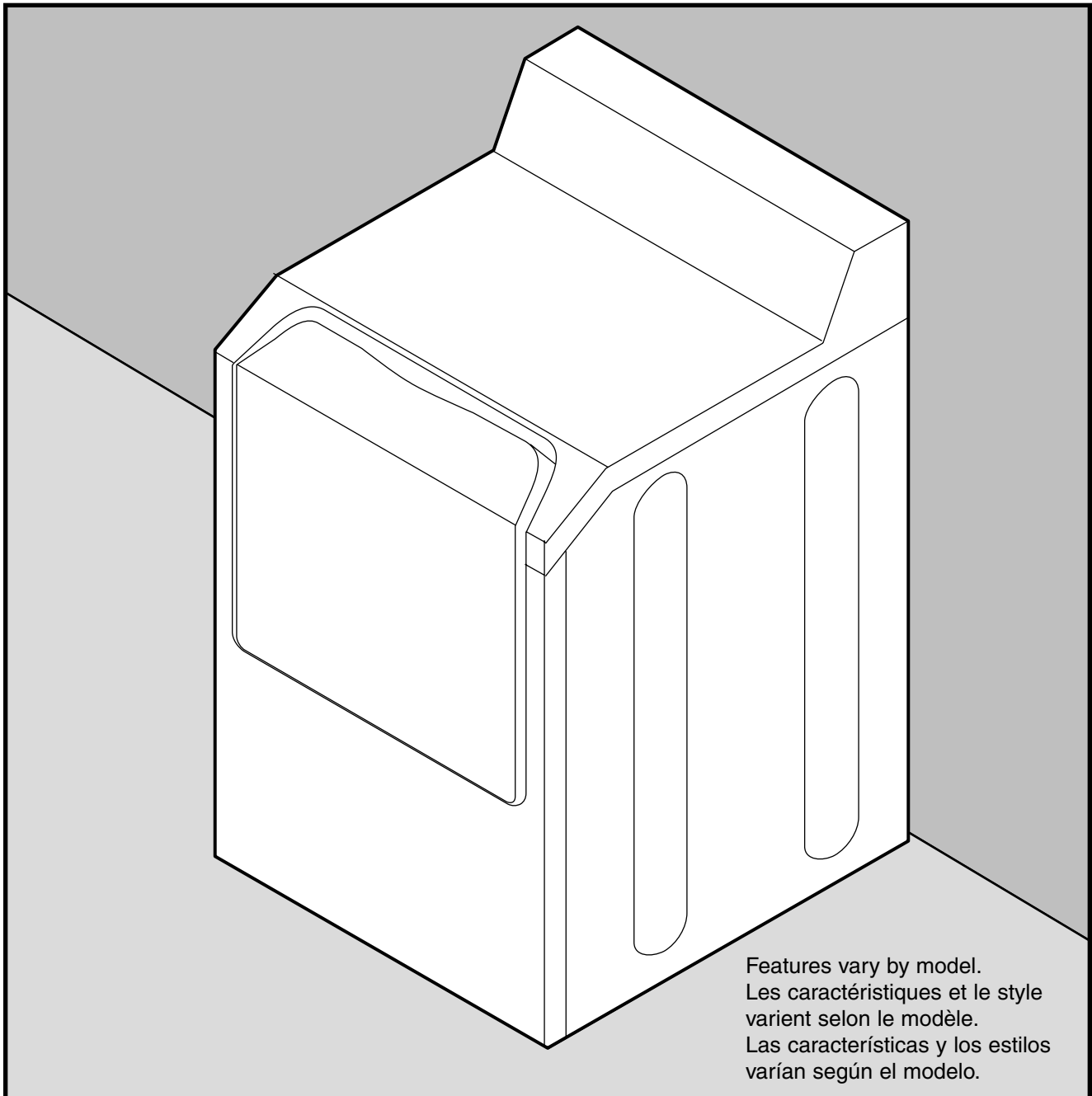


Automatic Dryer

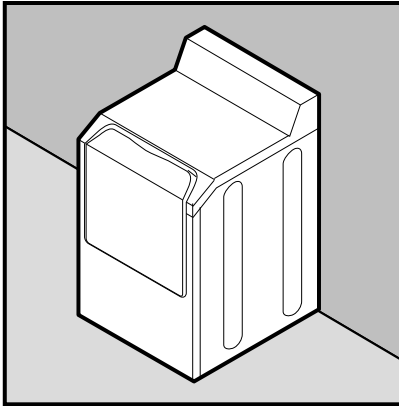
Sécheuse automatique/Secadora automática

Installation Instructions/Instructions d'installation/Instrucciones de Instalación



Automatic Dryer

Instructions



Important to Installer

- PLEASE READ THE FOLLOWING INSTRUCTIONS CAREFULLY BEFORE STARTING TO INSTALL THE DRYER. THESE INSTRUCTIONS SHOULD BE RETAINED FOR FUTURE REFERENCE.
- REMOVE THE DOOR FROM ALL DISCARDED APPLIANCES TO AVOID THE DANGER OF A CHILD SUFFOCATING.
- PROPER INSTALLATION IS THE RESPONSIBILITY OF THE OWNER.
- SERVICE CALLS PERFORMED AS A RESULT OF POOR SET-UP, ADJUSTMENT AND CONNECTION ARE THE RESPONSIBILITY OF THE INSTALLER.

REQUIREMENTS

GENERAL

Make sure you have everything necessary for proper installation.

1. GROUNDED ELECTRICAL OUTLET is required. See Electric Requirements.
2. POWER CORD for electric dryers (except Canada).
3. GAS LINES (if a gas dryer) must meet National and Local Codes.
4. EXHAUST SYSTEM – must be rigid metal or flexible stiff walled metal exhaust ducting. See Exhaust Requirements.

LOCATION CONSIDERATIONS

CAUTION

THE DRYER MUST NOT BE INSTALLED OR STORED IN AN AREA WHERE IT WILL BE EXPOSED TO WATER AND/OR WEATHER. THE DRYER AREA IS TO BE KEPT CLEAR AND FREE FROM COMBUSTIBLE MATERIALS, GASOLINE AND OTHER FLAMMABLE VAPORS AND LIQUIDS. A DRYER PRODUCES COMBUSTIBLE LINT. THE AREA AROUND THE DRYER SHOULD BE KEPT FREE OF LINT.

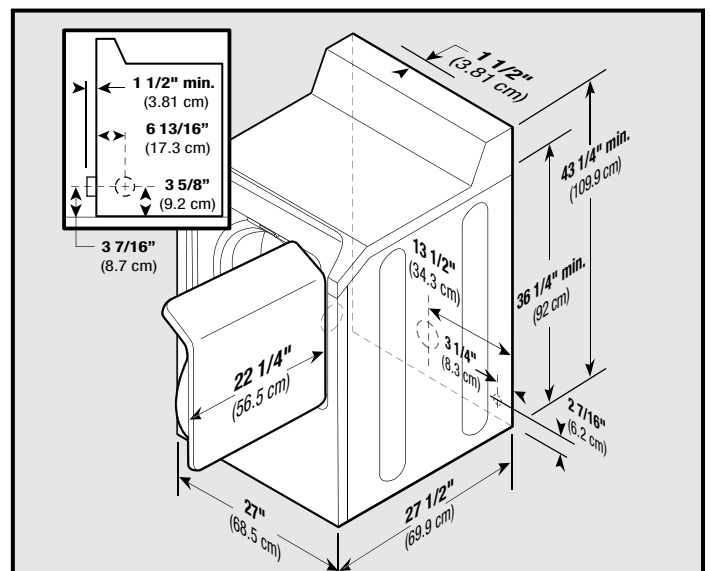
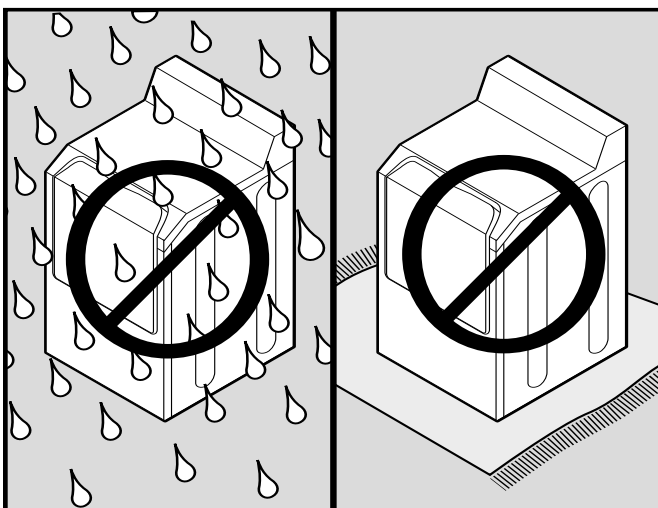
The dryer should be located to permit adequate room in front for loading the dryer, and sufficient room behind the dryer for the exhaust system.

This dryer is factory-ready for rear exhaust. To exhaust out the bottom or left side, use the accessory exhaust kit #12001453 (see Accessories). Instructions are included with the kit.

It is important to make sure the room has adequate make-up air. The area where the dryer is located must not obstruct the flow of combustion or ventilating air.

On gas dryers, adequate clearance as noted on the data plate must be maintained to insure adequate air for combustion and proper operation of the dryer.

DRYER DIMENSIONS



ALCOVE OR CLOSET INSTALLATION

An appliance installed in a closet shall have no other fuel-burning appliance installed in the same closet.

Each opening area in the door must have a minimum of 36 square inches. These openings must not be obstructed. (Louvered door with equivalent air openings is acceptable.)

! WARNING

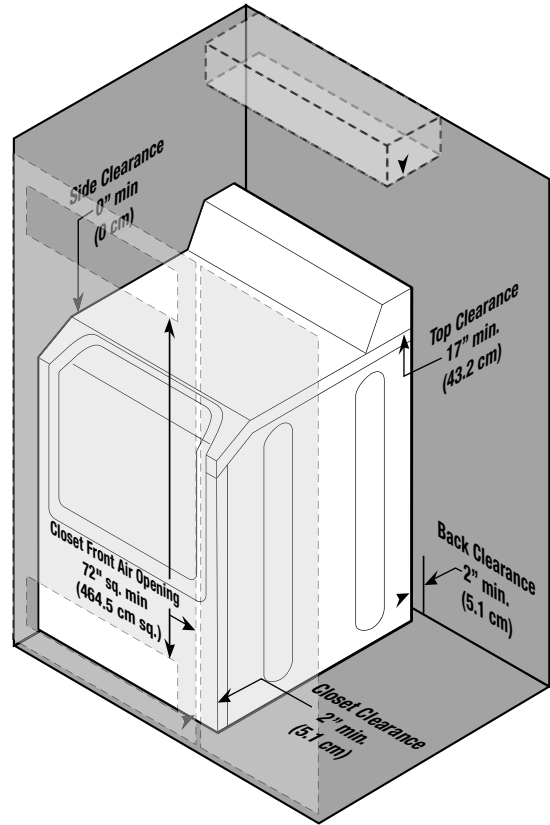
THE DRYER MUST BE EXHAUSTED TO THE OUTSIDE TO REDUCE THE RISK OF FIRE WHEN INSTALLED.

MOBILE HOME INSTALLATION

The installation of the dryer in mobile homes must conform to the Manufactured Home Construction and Safety Standard, Title 24 CFR, Part 32-80 {formerly the Federal Standard for Mobile Home Construction and Safety, Title 24, HUD (part 280), 1975} (for the United States), or CSA Standards Z240 (for Canada).

When installing a dryer in a mobile home, provisions for anchoring the dryer to the floor must be made. An anchor bracket kit #12002643 is available with instructions (see Accessories). Locate in an area that has adequate make up air. A minimum of 25 square inches (161.3 cm sq.) of unobstructed opening is required.

All mobile home installations must be exhausted to the outside with the exhaust duct termination securely fastened to the mobile home structure, using materials that will not support combustion. The exhaust duct may not terminate beneath the mobile home.



MINIMUM CLEARANCES FOR CLOSET AND ALCOVE INSTALLATIONS: Sides – 0 in. Rear – 2 in. Top – 17 in. Closet Front – 2 in. The closet front must have a total unobstructed air opening of 72 sq. in. minimum. A louvered door with equivalent air opening is acceptable.

EXHAUST

Exhausting the dryer to the outside will prevent large amounts of lint and moisture from being blown into the room.

In the United States and Canada:

- All gas and electric dryers must be exhausted to the outside.

Outside the U.S. and Canada:

- Refer to local codes.

Plastic flexible duct can kink, sag, be punctured, reduce air flow, extend drying times and affect dryer operation. USE A MINIMUM OF 4-INCH (10.2 cm) DIAMETER RIGID ALUMINUM OR RIGID GALVANIZED STEEL DUCT. Do not use smaller duct. Ducts larger than 4 inches (10.2 cm) in diameter can result in increased lint accumulation. Lint accumulation should be cleaned regularly. If flexible metal duct must be used, use the type with a stiff sheet metal wall. Do not use flexible duct with a thin foil wall. Serious blockage can result if flexible metal duct is bent too sharp.

! WARNING

PLASTIC OR NONMETAL FLEXIBLE DUCT PRESENTS A POTENTIAL FIRE HAZARD. NEVER USE PLASTIC OR NONMETAL FLEXIBLE DUCT. IF YOUR EXISTING DUCTWORK IS PLASTIC, NONMETAL OR COMBUSTIBLE, REPLACE IT WITH METAL. USE ONLY METAL EXHAUST DUCT THAT WILL NOT SUPPORT COMBUSTION TO INSURE THE CONTAINMENT OF EXHAUST AIR, HEAT AND LINT.

EXHAUST CONTINUED

Never install any type of flexible duct in walls, ceilings or other concealed spaces. Keep exhaust duct as straight and short as possible. Exhaust systems longer than recommended can extend drying times, affect machine operation and may collect lint. Secure joints with duct tape. Do not use screws.

The exhaust duct should end with an exhaust hood with a swing out damper to prevent backdrafts and entry of wildlife. Never use an exhaust hood with a magnetic damper. The hood should have at least 12 inches (30.5 cm) of clearance between the bottom of the hood and the ground or other obstruction. The hood opening should point down. Never install a screen over the exhaust outlet.

When possible, do not exhaust the dryer directly into a window well in order to avoid lint build-up. Do not exhaust under a house or porch.

If exhaust ductwork must run through an unheated area, the duct should be insulated and slope slightly down towards the exhaust hood to reduce condensation and lint build-up.

If an existing exhaust system is to be used with your new dryer, you must be sure:

- The exhaust system meets all local, state and national codes.
- That plastic flexible duct is not used.
- To completely inspect and clean all lint accumulation from the interior of the duct.
- The duct is not kinked or crushed.
- The exhaust hood damper opens and closes freely.

The static pressure in any exhaust system must not exceed 0.92 inches of water column, or be less than 0. This can be measured with the dryer running with a manometer at the point where the exhaust duct connects to the dryer. A no heat setting should be used. The dryer tumbler should be empty and the lint filter clean.

Inspect and clean the interior of the exhaust system at least once a year. Disconnect electrical service prior to cleaning. Check the gas line on gas dryers anytime the dryer is moved. Frequently check to be sure the exhaust hood damper opens and closes freely.

⚠ WARNING

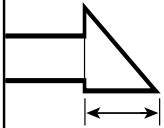
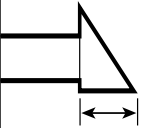
THE DRYER MUST BE EXHAUSTED TO THE OUTSIDE TO REDUCE THE RISK OF FIRE WHEN INSTALLED.

⚠ WARNING

DO NOT EXHAUST DRYER INTO ANY WALL, CEILING, CRAWL SPACE, CONCEALED SPACE OF A BUILDING, GAS VENT, OR ANY OTHER COMMON DUCT OR CHIMNEY. THIS COULD CREATE A FIRE HAZARD FROM LINT EXPELLED BY THE DRYER.

LENGTH OF VENT

Maximum Length of 4" Rigid Duct

Number of 90° turns separated by at least 4' (121.9cm) of straight run.	VENT HOOD TENT	
	 4" (10.2cm) Opening	 2 1/2" (6.4cm) Opening
0	100 Feet (30.5m)	59 Feet (18.0m)
1	80 Feet (24.4m)	48 Feet (14.6m)
2	65 Feet (19.8m)	38 Feet (11.6m)
3	50 Feet (15.2m)	30 Feet (9.1m)
4	35 Feet (10.7m)	22 Feet (6.7m)

Maximum Length of 4" Diameter Flexible stiff walled metal duct

0	36 Feet (11.0m)	28 Feet (8.5m)
1	32 Feet (9.8m)	24 Feet (7.3m)
2	28 Feet (8.5m)	20 Feet (6.1m)
3	25 Feet (7.6m)	17 Feet (5.2m)
4	23 Feet (7.0m)	15 Feet (4.6m)

GAS REQUIREMENTS

Use only Natural or LP (liquid propane) gases.

C A U T I O N

THE INSTALLATION MUST CONFORM WITH LOCAL CODES, OR IN THE ABSENCE OF LOCAL CODES, WITH THE NATIONAL FUEL GAS CODE ANSI/Z223.1, LATEST REVISION (FOR THE UNITED STATES), OR WITH THE CAN/CGA-B149 INSTALLATION CODES (FOR CANADA).

A 1/2" (1.27 cm) gas supply line is recommended and must be reduced to connect to the 3/8" (1.0 cm) gas line on the dryer.

The National Fuel Gas Code requires that an accessible, approved manual gas shut off valve be installed within 6 feet of the dryer.

A 1/8" (.3 cm) N.P.T. (National Pipe Thread) plugged tapping, accessible for test gauge connection, must be installed immediately upstream of the gas supply connection to the dryer. The dryer must be disconnected from the gas supply piping system during any pressure testing of the system.

C A U T I O N

DO NOT RE-USE OLD FLEXIBLE METAL GAS LINE. FLEXIBLE GAS LINE MUST BE DESIGN CERTIFIED BY AMERICAN GAS ASSOCIATION (CGA IN CANADA).

GAS IGNITION

This dryer uses an automatic ignition system to ignite the burner. There is no constant burning pilot.

COMMONWEALTH OF MASSACHUSETTS INSTALLATION INSTRUCTIONS

This gas dryer must be installed by a licensed plumber or gas fitter.

A "T" handle manual gas valve must be installed in the gas supply line to this gas dryer.

If a flexible gas connector is used to install this gas dryer, the connector must have a maximum length of 3 feet. (36 inches)

Gas dryers are equipped with a burner orifice for operation on NATURAL gas.

C A U T I O N

IF THE DRYER IS TO BE OPERATED ON LP (LIQUID PROPANE) GAS, IT MUST BE CONVERTED FOR SAFE AND PROPER PERFORMANCE AND MUST BE CONVERTED BY A QUALIFIED SERVICE TECHNICIAN.

Conversion kits from NATURAL to LP, or LP to NATURAL are available through your local Maytag dealer (see Accessories). If other conversions are required, check with the local gas utility for specific information concerning conversion requirements.

C A U T I O N

GAS DRYERS INSTALLED IN RESIDENTIAL GARAGES MUST BE ELEVATED 18 INCHES (46 CM) ABOVE THE FLOOR.

NOTE: Any pipe joint compound used must be resistant to the action of any liquefied petroleum gas.

NOTE: As a courtesy, most local gas utilities will inspect a gas appliance installation.

! W A R N I N G

GAS LEAKS MAY OCCUR IN YOUR SYSTEM AND RESULT IN A DANGEROUS SITUATION. GAS LEAKS MAY NOT BE DETECTED BY SMELL ALONE. GAS SUPPLIERS RECOMMEND YOU PURCHASE AND INSTALL A UL APPROVED GAS DETECTOR. INSTALL AND USE IN ACCORDANCE WITH THE MANUFACTURER'S INSTRUCTIONS.

ELECTRICAL REQUIREMENTS

NOTE: Wiring diagram is located inside the control console.

Export models (not U.S. or Canada): See Additional Instructions for Export Models.

WARNING

TO PREVENT UNNECESSARY RISK OF FIRE, ELECTRICAL SHOCK OR PERSONAL INJURY, ALL WIRING AND GROUNDING MUST BE DONE IN ACCORDANCE WITH LOCAL CODES, OR IN THE ABSENCE OF LOCAL CODES, WITH THE NATIONAL ELECTRICAL CODE, ANSI/NFPA, NO. 70-LATEST REVISION (FOR THE UNITED STATES) OR THE CANADIAN ELECTRICAL CODE CSA C22.1 (FOR CANADA).

GROUNDING

This dryer must be grounded. In the event of malfunction or breakdown, the ground will reduce the risk of electrical shock by providing a path of least resistance for electrical current.

GAS MODELS

This appliance is equipped with a cord having an equipment-grounding conductor and a grounding plug. The plug must be plugged into an appropriate outlet that is properly installed and grounded in accordance with all local codes and ordinances.

Do not modify the plug provided with the appliance – if it will not fit the outlet, have a proper outlet installed by a qualified electrician.

If a separate ground is required by local codes, a grounding kit (Part No.12001875) is available. It contains ground wire, clamp, ground screw and washer. Connect ground wire to back of unit with the cabinet ground screw and washer. Secure other end of ground wire to a suitable external ground connection. The wire may be secured with the clamp to a grounded COLD metal water pipe.

ELECTRIC MODELS

U.S. electric models are shipped with a ground strap connected from the neutral terminal block post to the frame of the dryer. If local codes prohibit the use of the ground strap, the dryer must be grounded in accordance with local codes.

If a power cord is not used and the electric dryer is to be permanently wired, the dryer must be connected to a grounded metal, permanent wiring system; or an equipment grounding conductor must be run with the circuit conductors and connected to the equipment grounding terminal.

ELECTRICAL CONNECTIONS

BEFORE OPERATING OR TESTING, follow all grounding instructions in Grounding Section. An individual branch (or separate) circuit serving only this appliance is recommended.

WARNING

IMPROPER CONNECTION OF THE EQUIPMENT GROUNDING CONDUCTOR CAN RESULT IN A RISK OF ELECTRIC SHOCK. CHECK WITH A QUALIFIED ELECTRICIAN OR SERVICEMAN IF YOU ARE IN DOUBT AS TO WHETHER THE APPLIANCE IS PROPERLY GROUNDED.

C A U T I O N

NEVER CONNECT GROUND WIRE TO PLASTIC PLUMBING LINES, GAS LINES OR HOT WATER PIPES.

C A U T I O N

NEVER USE AN EXTENSION CORD.

ELECTRICAL CONNECTIONS CONTINUED

GAS MODELS – U.S. and Canada

A 120 volt, 60 Hz AC, approved electrical service, with a 15 ampere fuse or circuit breaker is required.

ELECTRIC MODELS – U.S. Only

Most U.S. dryers, as manufactured, require a 120/240 volt, 60 Hz AC approved electrical service. Some require 120/208 volt, 60 Hz approved electrical service. The electric service requirements can be found on the data label located on the front behind the door. A 30 ampere fuse or circuit breaker on both sides of the line is required.

A 120/240 volt U.S. electric dryer must be converted if it is to operate on a 120/208 volt electrical system. A heating element conversion kit is available.

If a power cord is used, the cord should be plugged into a 30 ampere receptacle.

The power cord is NOT provided with U.S. electric model dryers.

IMPORTANT: When permitted by local codes, the dryer electrical supply may be connected by means of a new power supply cord kit, marked for use with clothes dryer, that is U.L. listed, rated at 120/240 volts minimum, 30 amperes with three No. 10 copper wire conductors terminated with closed loop terminals, open end spade lugs with turned up ends or with tinned leads.

Do not reuse a power supply cord from an old dryer. The power cord electric supply wiring must be retained at the dryer cabinet with a suitable UL listed strain relief.

If the dryer is installed in a mobile home, recreational vehicle, a new branch circuit or an area where local codes do not permit grounding through neutral, only a 4 conductor power cord, rated and terminated as above may be used.

ELECTRIC MODELS – Canada Only

A 120/240 volt, 60 Hz AC approved electrical service fused through a 30 ampere fuse or circuit breaker on both sides of the line is required.

All Canadian models are shipped with the power cord attached. The power cord should be plugged into a 30 ampere receptacle.

NOTE: It is not permissible to convert a dryer in Canada to 208 volts.

REPLACEMENT PARTS AND ACCESSORIES

If your dryer requires replacement parts or accessories, contact the dealer from whom you purchased your dryer or contact:

Maytag Customer Service

Box 2370

Cleveland, Tennessee 37320-2370

phone 1-800-688-9900 in the USA 1-800-688-9902 in Canada

for information on the nearest authorized Maytag Parts Distributor.

ADDITIONAL INFORMATION FOR INTERNATIONAL USE (not U.S. or Canada)

Maytag dryer models manufactured for operation on 60 Hz AC are not designed for use on 50 Hz AC electrical service and conversion of the product from 60 to 50 Hz operation is not recommended. For additional information on 50 Hz products, contact Maytag International.

Maytag International

1475 East Woodfield Road

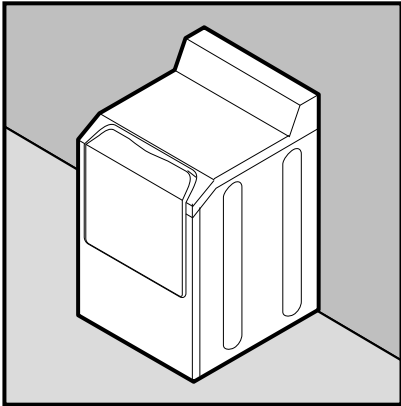
Schaumburg, Illinois USA 60173

phone 847-273-3100

The electric service requirements can be found on the data label located on the front of the dryer behind the door.

Sécheuse automatique

Instructions



Message important pour l'installateur

- VEUILLEZ LIRE ATTENTIVEMENT LES INSTRUCTIONS SUIVANTES AVANT DE DÉBUTER L'INSTALLATION DE LA SÉCHEUSE. CES INSTRUCTIONS DOIVENT ÊTRE CONSERVÉES POUR VOUS Y REPORTER ULTÉRIEUREMENT.
- ENLEVEZ LA PORTE DE TOUT APPAREIL MIS AU REBUT POUR ÉVITER LE RISQUE D'ASPHYXIE CHEZ LES ENFANTS.
- LA RESPONSABILITÉ D'UNE INSTALLATION CORRECTE DE L'APPAREIL INCOMBE AU PROPRIÉTAIRE.
- L'INSTALLATEUR EST RESPONSABLE DES RÉPARATIONS EFFECTUÉES EN RAISON D'UNE MAUVAISE INSTALLATION, D'UN RÉGLAGE ERRONÉ OU D'UN RACCORDEMENT INAPPROPRIÉ.

EXIGENCES

GÉNÉRAL

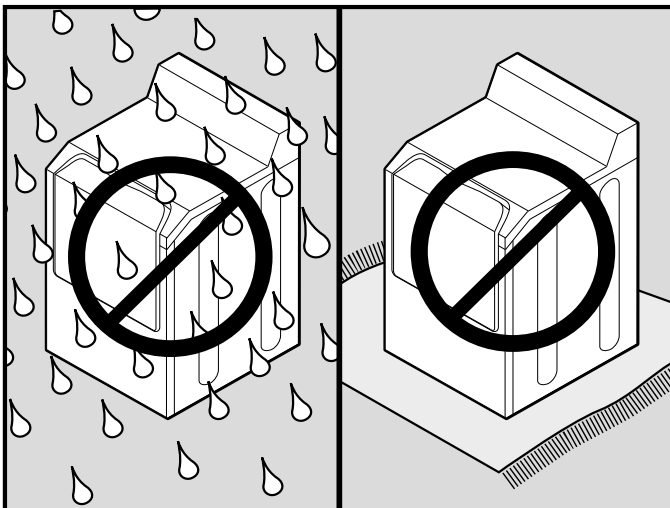
Assurez-vous d'avoir tous les accessoires nécessaires pour effectuer l'installation.

1. UNE PRISE MISE À LA TERRE est requise. Voyez les exigences électriques.
2. UN CORDON D'ALIMENTATION pour sècheuses électriques (sauf au Canada).
3. LES CONDUITES DE GAZ (pour une sècheuse à gaz) doivent être conformes aux codes nationaux et locaux.
4. LE SYSTÈME D'ÉVACUATION – doit être un conduit d'évacuation fait de métal rigide ou de métal flexible à parois rigides. Voyez les exigences d'évacuation.

EMPLACEMENT

ATTENTION

LA SÉCHEUSE NE DOIT PAS ÊTRE INSTALLÉE OU ENTREPOSÉE DANS UN ENDROIT OÙ ELLE PEUT ÊTRE EXPOSÉE À L'HUMIDITÉ OU AUX INTEMPÉRIES. L'EMPLACEMENT DE LA SÉCHEUSE DOIT ÊTRE LIBRE DE TOUT COMBUSTIBLE, ESSENCE ET AUTRES VAPEURS OU LIQUIDES INFLAMMABLES. LA SÉCHEUSE PRODUIT DE LA CHARPIE COMBUSTIBLE. ASSUREZ-VOUS QU'IL N'Y A PAS DE CHARPIE SUR LES SURFACES AVOISINANT LA SÉCHEUSE.



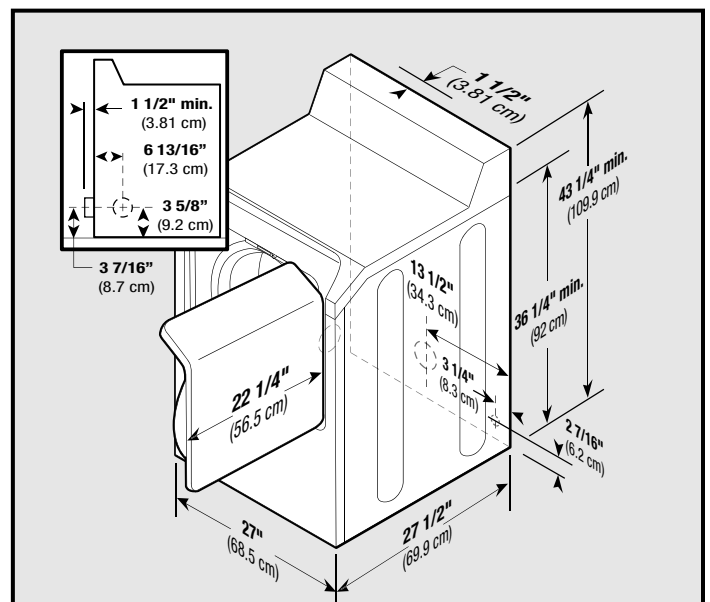
La sècheuse doit être installée de manière à disposer d'un espace suffisant à l'avant, pour le chargement, et à l'arrière, pour le système d'évacuation.

Cette sècheuse est préparée à l'usine pour recevoir un conduit d'évacuation à l'arrière. Pour installer un conduit d'évacuation au bas ou sur le côté gauche, utilisez le nécessaire d'évacuation #12001453 (voyez la section Accessoires). Des instructions sont comprises avec le nécessaire.

Il est important de s'assurer que la pièce possède de l'air de renouvellement en quantité suffisante. L'endroit où la sècheuse est située ne doit pas obstruer la circulation de l'air de combustion ou de ventilation.

Pour les sècheuses à gaz, le dégagement approprié indiqué sur la plaque signalétique doit être respecté afin d'assurer une quantité suffisante d'air de combustion, ainsi que le bon fonctionnement de la sècheuse.

DIMENSIONS DE LA SÉCHEUSE



INSTALLATION DANS UNE ALCÔVE OU UN PLACARD

Un appareil installé dans un placard ne doit se trouver avec aucun autre appareil à combustible installé dans le même placard.

Chaque zone d'ouverture de la porte doit faire au moins 232,3 cm² (36 po²) et ne doit pas être obstruée. (Une porte-persienne possédant des ouvertures équivalentes est acceptable.)

⚠ ADVERTISSEMENT

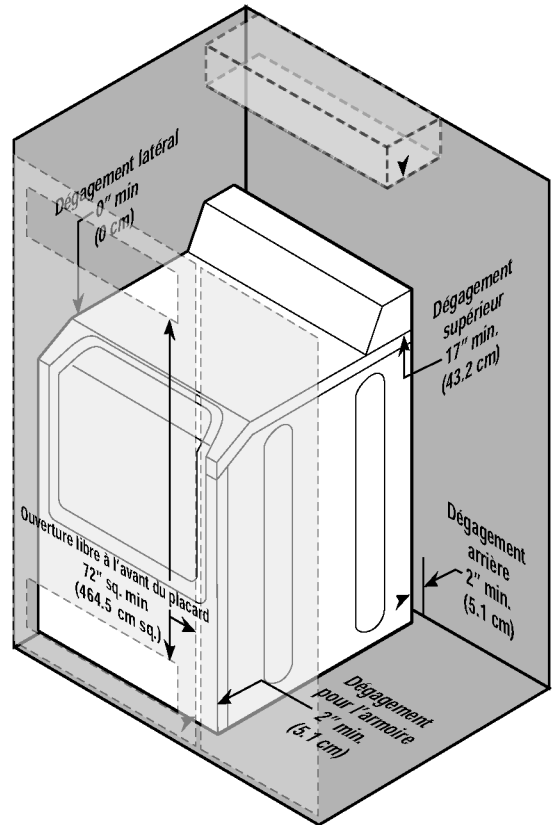
L'ÉVACUATION DE LA SÈCHEUSE DOIT SE FAIRE À L'EXTÉRIEUR POUR RÉDUIRE LE RISQUE D'INCENDIE APRÈS L'INSTALLATION.

INSTALLATION DANS UNE MAISON MOBILE

L'installation de la sècheuse dans une maison mobile doit être conforme à la norme Manufactured Home Construction and Safety Standard, titre 24 CFR, partie 32-80, {anciennement Federal Standard for Mobile Home Construction and Safety, titre 24, HUD (partie 280), 1975} (aux États-Unis), ou aux normes CSA Z240 (au Canada).

Lorsque vous installez une sècheuse dans une maison mobile, vous devez fixer l'appareil au plancher. Un nécessaire de support d'ancrage #12002643 avec instructions est disponible (voyez la section Accessoires). Installez dans un endroit où l'air de renouvellement est suffisant. Une ouverture libre d'au moins 161,3 cm² (25 po²) est requise.

Toute installation dans une maison mobile doit être évacuée à l'extérieur, avec l'embout du conduit d'évacuation fixé solidement à la structure de la maison mobile, en utilisant des matériaux qui n'entretiennent pas la combustion. Le bout du conduit d'évacuation ne doit pas se trouver sous la maison mobile.



DÉGAGEMENT MINIMAL POUR L'INSTALLATION DANS UNE ALCÔVE OU UN PLACARD : Côtés : 0 cm (0 po). Arrière : 5 cm (2 po). Dessus : 43,2 cm (17 po). Avant du placard : 5 cm (2 po). L'avant du placard doit posséder une ouverture libre totale d'au moins 464,5 cm² (72 po²). Une porte-persienne possédant une ouverture équivalente est acceptable.

ÉVACUATION

En reliant l'évacuation de la sècheuse à l'extérieur, vous empêchez la charpie et l'humidité d'être soufflées en grande quantité dans la pièce.

Aux États-Unis et au Canada :

- L'évacuation de toutes les sècheuses à gaz et électriques doit se faire à l'extérieur.

Dans les autres pays :

- Veuillez vous reporter aux codes locaux.

Un conduit de plastique flexible peut s'entortiller, s'affaisser, se trouer, réduire la circulation de l'air, prolonger la durée de séchage et affecter le fonctionnement de la sècheuse. UTILISEZ UN CONDUIT D'ALUMINIUM OU D'ACIER GALVANISÉ RIGIDE D'AU MOINS 10,2 cm (4 po) DE DIAMÈTRE. N'utilisez pas un conduit plus petit. Les conduits de plus de 10,2 cm (4 po) de diamètre peuvent entraîner une plus grande accumulation de charpie. L'accumulation de charpie doit être enlevée régulièrement. Si vous devez utiliser un conduit de métal flexible, choisissez le type muni de parois de métal rigides. N'utilisez pas de conduit flexible muni d'une paroi en aluminium mince.

⚠ ADVERTISSEMENT

UN CONDUIT FLEXIBLE EN PLASTIQUE OU NON MÉTALLIQUE REPRÉSENTE UN RISQUE D'INCENDIE. N'UTILISEZ JAMAIS DE CONDUIT FLEXIBLE EN PLASTIQUE OU NON MÉTALLIQUE. SI LE CONDUIT EXISTANT EST FAIT DE PLASTIQUE, D'UN MATÉRIAU NON MÉTALLIQUE OU COMBUSTIBLE, REMPLACEZ-LE PAR UN CONDUIT DE MÉTAL. UTILISEZ SEULEMENT UN CONDUIT D'ÉVACUATION DE MÉTAL QUI N'ENTRETIENT PAS LA COMBUSTION POUR ASSURER LE CONFINEMENT DE L'AIR VICIÉ, DE LA CHALEUR ET DE LA CHARPIE.

ÉVACUATION (SUITE)

Un blocage sérieux pourrait survenir si le conduit de métal flexible est trop plié. N'installez aucun type de conduit flexible dans les murs, plafonds ou autres endroits fermés. Assurez-vous que le conduit d'évacuation est aussi court et droit que possible. Les systèmes d'évacuation qui dépassent les mesures recommandées peuvent prolonger la durée de séchage, affecter le fonctionnement de l'appareil et accumuler de la charpie. Fixez les joints à l'aide de ruban adhésif en toile. N'utilisez pas de vis.

Le conduit d'évacuation devrait se terminer par une bouche d'évacuation munie d'un volet pivotant pour empêcher le refoulement d'air et l'entrée d'animaux sauvages. N'utilisez jamais une bouche d'évacuation munie d'un volet magnétique. Il doit y avoir un dégagement minimal de 30,5 cm (12 po) entre le bas de la bouche et le sol ou autre obstruction. L'ouverture de la bouche devrait être orientée vers le bas. N'installez jamais de grillage sur la bouche d'évacuation.

Si possible, évitez de diriger l'évacuation de la sècheuse directement dans une caisse de soupirail pour éviter l'accumulation de charpie. Ne dirigez pas l'évacuation sous la maison ou sous le porche.

Si le conduit d'évacuation doit passer dans un endroit non chauffé, il doit être isolé et incliné légèrement vers le bas pour réduire la condensation et l'accumulation de charpie.

Si vous désirez utiliser un système d'évacuation existant avec votre nouvelle sècheuse, assurez-vous que :

- Le système d'évacuation respecte tous les codes locaux, régionaux et nationaux.
- Le système ne comprend pas de conduit flexible en plastique.
- L'intérieur du conduit est propre et libre de toute accumulation de charpie.
- Le conduit n'est pas entortillé ou écrasé.
- Le volet de la bouche d'évacuation s'ouvre et se ferme facilement.

La pression statique d'un système d'évacuation doit dépasser 0, sans excéder 2,3 cm (0,92 po) à la colonne d'eau. Vous pouvez effectuer cette mesure à l'aide d'un manomètre placé à l'endroit où le conduit d'évacuation est relié à la sècheuse, pendant que celle-ci fonctionne. Utilisez un réglage sans chaleur pour prendre cette mesure. Le tambour de la sècheuse doit être vide et le filtre à charpie, propre.

Le système d'évacuation et l'intérieur doivent être inspectés et nettoyés au moins une fois par année. Débranchez l'alimentation électrique avant d'effectuer le nettoyage. La conduite de gaz de la sècheuse à gaz doit être inspectée chaque fois que l'appareil est déplacé. Vérifiez fréquemment que la bouche d'évacuation s'ouvre et se ferme facilement.

⚠ ADVERTISSEMENT

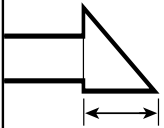
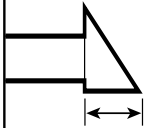
L'ÉVACUATION DE LA SÈCHEUSE DOIT SE FAIRE À L'EXTÉRIEUR POUR RÉDUIRE LE RISQUE D'INCENDIE APRÈS L'INSTALLATION.

⚠ ADVERTISSEMENT

L'ÉVACUATION DE LA SÈCHEUSE NE DOIT PAS ÊTRE DIRIGÉE DANS UN MUR, PLAFOND, VIDE SANITAIRE, ENDROIT FERMÉ DU BÂTIMENT, CONDUIT D'ÉVACUATION POUR LE GAZ OU TOUT AUTRE CONDUIT COMMUN OU CHEMINÉE. LA CHARPIE EXPULSÉE PAR LA SÈCHEUSE POURRAIT CAUSER UN RISQUE D'INCENDIE.

LONGUEUR DU TUYAU D'ÉVACUATION

Longueur maximum du tuyau rigide de 4 po.

Nombre de coudes à 90° séparés par au moins 4 pieds de partie droite.	ÉVÈNT EXTÉRIEUR	
	 4" (10.2cm) Ouverture	 2 1/2" (6.4cm) Ouverture
0	100 Feet (30.5m)	59 Feet (18.0m)
1	80 Feet (24.4m)	48 Feet (14.6m)
2	65 Feet (19.8m)	38 Feet (11.6m)
3	50 Feet (15.2m)	30 Feet (9.1m)
4	35 Feet (10.7m)	22 Feet (6.7m)

Conduit flexible à parois rigides d'un diamètre maximal de 10,2 cm (4 po).

0	36 Feet (11.0m)	28 Feet (8.5m)
1	32 Feet (9.8m)	24 Feet (7.3m)
2	28 Feet (8.5m)	20 Feet (6.1m)
3	25 Feet (7.6m)	17 Feet (5.2m)
4	23 Feet (7.0m)	15 Feet (4.6m)

EXIGENCES DU GAZ

Utilisez seulement du gaz naturel ou du GPL (propane liquide).

A T T E N T I O N

L'INSTALLATION DOIT ÊTRE CONFORME AUX CODES LOCAUX OU, EN L'ABSENCE DE CODES LOCAUX, À LA NORME DU NATIONAL FUEL GAS CODE ANSI/Z223.1, DERNIÈRE ÉDITION (AUX ÉTATS-UNIS), OU AUX CODES D'INSTALLATION CAN/CGA-B149 (AU CANADA).

Une conduite d'alimentation en gaz de 1,27 cm (1/2 po) est recommandée et doit être réduite pour être raccordée à la conduite de gaz de 1 cm (3/8 po) de la sècheuse.

Le National Fuel Gas Code requiert l'utilisation d'un robinet d'arrêt de gaz accessible et approuvé, installé à moins de 1,8 m (6 pi) de la sècheuse.

Un branchement à filetage NPT de 0,3 cm (1/8 po), accessible pour le raccordement de la jauge d'essai, doit être installé directement en amont de l'alimentation en gaz de la sècheuse. La sècheuse doit être débranchée de l'alimentation en gaz lors de tout test de pressurisation du système.

A T T E N T I O N

NE RÉUTILISEZ PAS UNE ANCIENNE CONDUITE DE GAZ FLEXIBLE. LA CONDUITE DE GAZ FLEXIBLE DOIT ÊTRE HOMOLOGUÉE PAR LA AMERICAN GAS ASSOCIATION (CGA AU CANADA).

ALLUMAGE AU GAZ

Cette sècheuse utilise un système d'allumage automatique pour allumer le brûleur. Il n'y a pas de veilleuse qui brûle constamment.

INSTRUCTIONS D'INSTALLATION DANS LE COMMONWEALTH DU MASSACHUSETTS

Cette sècheuse à gaz doit être installée par un plombier ou tuyauteur diplômé.

Un robinet de gaz manuel à manette en T doit être installé sur la conduite d'alimentation en gaz de cette sècheuse à gaz.

Si un raccord flexible pour gaz est utilisé pour installer cette sècheuse à gaz, sa longueur maximale doit être de 0,9 m (3 pi).

Les sècheuses à gaz sont munies d'un gicleur de brûleur fonctionnant au gaz NATUREL.

A T T E N T I O N

SI LA SÈCHEUSE DOIT FONCTIONNER AVEC DU GPL (PROPANE LIQUIDE), ELLE DOIT ÊTRE CONVERTIE PAR UN TECHNICIEN QUALIFIÉ POUR ASSURER UN RENDEMENT APPROPRIÉ ET SÉCURITAIRE.

Des nécessaires de conversion du GAZ NATUREL au GPL et du GPL au GAZ NATUREL sont disponibles chez votre marchand local Maytag (voyez la section Accessoires). Si vous devez effectuer un autre type de conversion, adressez-vous au service de distribution de gaz local pour obtenir de l'information spécifique concernant les exigences de conversion.

A T T E N T I O N

LES SÈCHEUSES À GAZ INSTALLÉES DANS DES GARAGES RÉSIDENTIELS DOIVENT ÊTRE SURÉLEVÉES À 46 CM (18 PO) DU NIVEAU DU SOL.

REMARQUE : Toute pâte à joint utilisée doit résister à l'action du GPL.

REMARQUE : La plupart des services de distribution de gaz locaux inspectent gratuitement l'installation d'un appareil à gaz.

! ADVERTISSEMENT

DES FUITES DE GAZ POURRAIENT SURVENIR DANS LE SYSTÈME ET ENTRAÎNER UNE SITUATION DANGEREUSE. L'ODORAT SEUL PEUT NE PAS SUFFIRE POUR DÉTECTER UNE FUITE DE GAZ. LES FOURNISSEURS DE GAZ RECOMMANDENT L'ACHAT ET L'INSTALLATION D'UN DÉTECTEUR DE GAZ HOMOLOGUÉ UL. INSTALLEZ ET UTILISEZ LE DÉTECTEUR CONFORMÉMENT AUX INSTRUCTIONS DU FABRICANT.

EXIGENCES ÉLECTRIQUES

REMARQUE : Le schéma de câblage est situé à l'intérieur de la console de commande.

Modèles d'exportation (non destinés au US ou au Canada) : Voyez les instructions supplémentaires concernant les modèles d'exportation.

ADVERTISSEMENT

AFIN DE PRÉVENIR LES RISQUES INUTILES D'INCENDIE, DE CHOC ÉLECTRIQUE OU DE BLESSURE, TOUS LES TRAVAUX DE CÂBLAGE ET DE MISE À LA TERRE DOIVENT ÊTRE CONFORMES AUX CODES LOCAUX OU BIEN, EN L'ABSENCE DE CES DERNIERS, AUX EXIGENCES DU NATIONAL ELECTRICAL CODE ANSI/NFPA, NO 70 – DERNIÈRE ÉDITION (AUX ÉTATS-UNIS), OU DU CODE CANADIEN DE L'ÉLECTICITÉ, NORME CSA C22.1 (AU CANADA).

MISE À LA TERRE

Cette sècheuse doit être mise à la terre. En cas de fonctionnement défectueux ou de défaillance, la mise à la terre réduit les risques de chocs électriques en fournissant au courant électrique une trajectoire de moindre résistance.

MODÈLES À GAZ

Cet appareil est doté d'un cordon avec conducteur de mise à la terre et d'une prise de mise à la terre. La fiche doit être branchée sur une prise appropriée, installée et mise à la terre conformément aux codes et règlements locaux en vigueur.

Ne modifiez pas la fiche fournie avec l'appareil. Si la fiche ne correspond pas à la prise, faites installer une prise appropriée par un électricien qualifié.

Si les codes locaux requièrent une mise à la terre distincte, un nécessaire de mise à la terre (numéro de pièce 12001875) est disponible. Il contient un fil de mise à la terre, un collier, une vis de mise à la terre et une rondelle. Raccordez le fil de mise à la terre à l'arrière de l'appareil à l'aide de la vis de mise à la terre de la caisse et de la rondelle. Fixez l'autre bout du fil de mise à la terre à une prise de terre externe appropriée. À l'aide du collier, vous pouvez fixer le fil à un tuyau de métal FROID mis à la terre.

MODÈLES ÉLECTRIQUES

Les modèles électriques américains sont livrés avec une bande de prise de terre qui relie la borne du bloc de branchement neutre au cadre de la sècheuse. Si les codes locaux interdisent l'utilisation d'une bande de prise de terre, la sècheuse doit être mise à la terre conformément aux codes locaux en vigueur.

Si vous n'utilisez pas de cordon d'alimentation et que la sècheuse est munie d'un câblage permanent, celle-ci doit être reliée à une installation électrique permanente métallique mise à la terre. Sinon, un conducteur de mise à la terre doit accompagner les conducteurs du circuit pour être relié à la borne de mise à la terre.

RACCORDEMENT ÉLECTRIQUE

AVANT DE METTRE EN MARCHÉ OU À L'ESSAI, suivez toutes les instructions de mise à la terre indiquées dans la section Mise à la terre. L'utilisation d'un circuit indépendant qui alimente uniquement cet appareil est recommandée.

ADVERTISSEMENT

UN RACCORDEMENT INCORRECT DU CONDUCTEUR DE MISE À LA TERRE DE L'APPAREIL PEUT ENTRAÎNER UN RISQUE DE CHOC ÉLECTRIQUE. SI VOUS ÊTES INCERTAIN DE LA QUALITÉ DE LA MISE À LA TERRE DE L'APPAREIL, CONSULTEZ UN ÉLECTRICIEN QUALIFIÉ OU UN TECHNICIEN DU SERVICE APRÈS-VENTE.

A T T E N T I O N

NE RACCORDEZ JAMAIS UN FIL DE MIS À LA TERRE À DES CONDUITES EN PLASTIQUE, DES CONDUITES DE GAZ OU D'EAU CHAUDE.

A T T E N T I O N

N'UTILISEZ JAMAIS DE RALLONGE.

RACCORDEMENT ÉLECTRIQUE (SUITE)

MODÈLES À GAZ – US et Canada

Un branchement électrique approuvé de 120 V, 60 Hz CA, muni d'un fusible de 15 A ou d'un disjoncteur est requis.

MODÈLES ÉLECTRIQUES – US seulement

La plupart des sècheuses américaines sont fabriquées pour recevoir un branchement électrique approuvé de 120/240 V, 60 Hz CA. Certaines requièrent une alimentation électrique approuvée de 120/208 V, 60 Hz. Les exigences du branchement électrique sont indiquées sur la plaque signalétique située à l'avant, derrière la porte. Un fusible de 30 A ou un disjoncteur est requis de chaque côté de la ligne.

Pour fonctionner avec un système électrique de 120/208 V, une sècheuse américaine de 120/240 V doit être convertie. Un nécessaire de conversion de l'élément chauffant est disponible.

Si vous utilisez un cordon d'alimentation, celui-ci doit être branché sur une prise de 30 A.

Le cordon d'alimentation n'est PAS compris avec les modèles de sècheuses électriques américaines.

IMPORTANT : Lorsque les codes locaux le permettent, l'alimentation électrique de la sècheuse peut se faire par l'entremise d'un nouveau cordon d'alimentation électrique pour sècheuses, homologué UL, d'un minimum de 120/240 V, 30 A avec trois fils conducteurs de cuivre no 10 en boucle fermée, muni de cosses à fourche ouvertes avec embouts tournés vers le haut ou de fils étamés.

Ne réutilisez pas le cordon d'alimentation d'une ancienne sècheuse. Le câblage électrique du cordon d'alimentation doit être fixé à la caisse de la sècheuse à l'aide d'une bride de cordon homologuée UL.

Si la sècheuse est installée dans une maison mobile, un véhicule de plaisance, un circuit indépendant ou un endroit où les codes locaux ne permettent pas la mise à la terre par le neutre, seul un cordon d'alimentation à quatre conducteurs, homologué et terminé comme décrit plus haut, peut être utilisé.

MODÈLES ÉLECTRIQUES – Canada seulement

Un branchement électrique approuvé de 120/240 V, 60 Hz CA, avec fusible de 30 A ou disjoncteur de chaque côté de la ligne est requis.

Tous les modèles canadiens possèdent un cordon d'alimentation à la livraison. Le cordon d'alimentation doit être branché sur une prise de 30 A.

REMARQUE : Au Canada, il n'est pas permis de convertir une sècheuse à un courant de 208 V.

PIÈCES DE RECHANGE ET ACCESSOIRES

Si votre sècheuse nécessite des pièces de rechange ou des accessoires, adressez-vous au marchand qui vous a vendu votre sècheuse ou communiquez avec :

Maytag Customer Service

Box 2370

Cleveland, Tennessee 37320-2370

phone 1-800-688-9900 aux États-Unis et 1-800-688-9902 au Canada

pour connaître le distributeur de pièces Maytag autorisé le plus près de chez vous.

INFORMATIONS SUPPLÉMENTAIRES POUR USAGE INTERNATIONAL (non destiné aux États-Unis ou au Canada)

Les modèles de sècheuses Maytag fabriqués pour fonctionner avec une alimentation de 60 Hz CA ne sont pas conçus pour une alimentation électrique de 50 Hz CA. La conversion du produit de 60 à 50 Hz n'est pas recommandée. Pour plus de renseignements concernant les produits de 50 Hz, communiquez avec Maytag International.

Maytag International

1475 East Woodfield Road

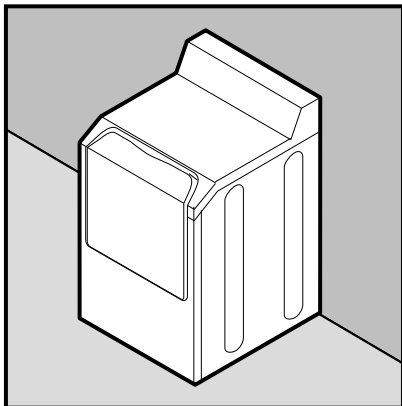
Schaumburg, Illinois USA 60173

phone 847-273-3100

Les exigences du branchement électrique sont indiquées sur la plaque signalétique située à l'avant de la sècheuse, derrière la porte.

Secadora automática

Instrucciones



Nota importante para el instalador

- POR FAVOR LEA CUIDADOSAMENTE LAS SIGUIENTES INSTRUCCIONES ANTES DE COMENZAR A INSTALAR LA SECADORA. CONSERVE ESTAS INSTRUCCIONES PARA REFERENCIA FUTURA.
- RETIRE LA PUERTA DE TODOS LOS ELECTRODOMÉSTICOS DE DESECHO PARA EVITAR LA ASFIXIA DE LOS NIÑOS.
- LA INSTALACIÓN ADECUADA DE ESTE ELECTRODOMÉSTICO ES RESPONSABILIDAD DEL PROPIETARIO.
- LAS LLAMADAS DE SERVICIO REALIZADAS A CAUSA DE LA INSTALACIÓN, AJUSTE Y CONEXIÓN INADECUADAS SON RESPONSABILIDAD DEL INSTALADOR.

REQUERIMIENTOS

GENERALIDADES

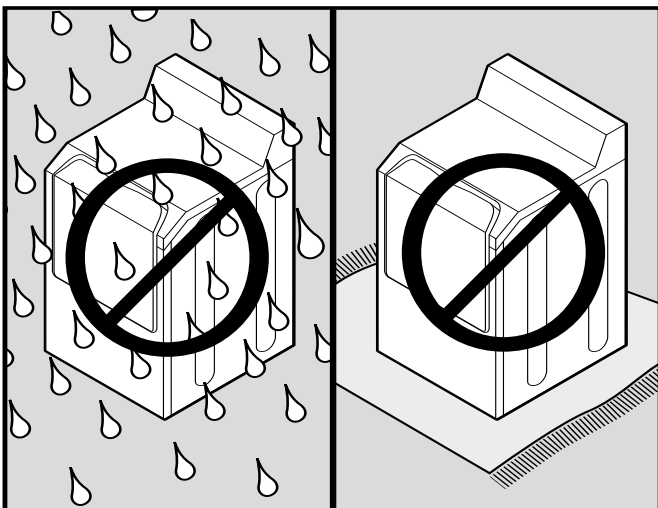
Asegúrese de tener todo lo necesario para realizar una instalación adecuada.

1. Se requiere un TOMACORRIENTE PUESTO A TIERRA. Vea la sección de requerimientos eléctricos.
2. CORDÓN ELÉCTRICO para las secadoras eléctricas (excepto en Canadá).
3. LAS TUBERÍAS DE GAS (si la secadora es a gas) deben cumplir con los códigos nacionales y locales.
4. SISTEMA DE ESCAPE – los conductos de escape deben ser de metal rígido o de metal flexible con paredes rígidas. Vea la sección de requerimientos del sistema de escape.

CONSIDERACIONES DE UBICACIÓN

PRECAUCIÓN

LA SECADORA NO DEBE SER INSTALADA O ALMACENADA EN UN ÁREA EN LA QUE ESTÉ EXPUESTA AL AGUA Y/O A LA INTEMPERIE. EL ÁREA DE LA SECADORA DEBE MANTENERSE LIMPIA Y LIBRE DE MATERIALES COMBUSTIBLES, GASOLINA Y OTROS GASES Y LÍQUIDOS INFLAMABLES. LAS SECADORAS GENERAN PELUSAS INFLAMABLES. EL ÁREA ALREDEDOR DE LA SECADORA DEBE MANTENERSE LIBRE DE PELUSAS.



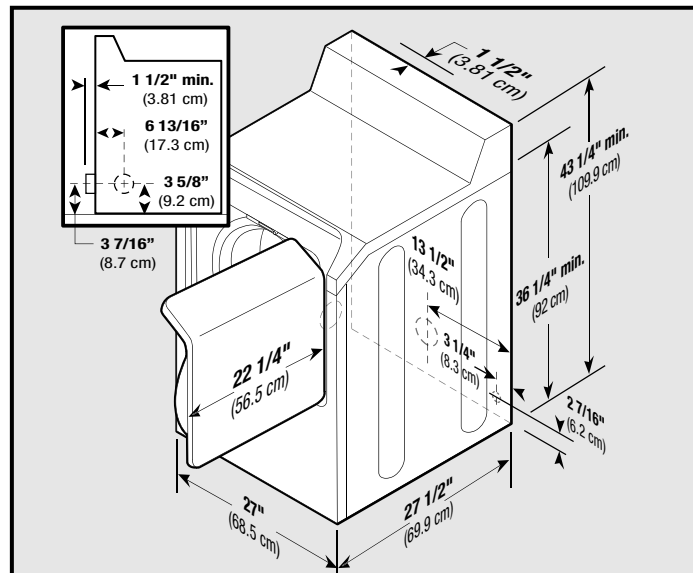
La secadora debe estar ubicada de manera que haya suficiente espacio por delante para cargarla y suficiente espacio por detrás para el sistema de escape.

Esta secadora viene de la fábrica lista para un sistema de escape trasero. Para instalar el escape en la parte inferior o en el costado izquierdo, use el kit #12001453 de accesorio de sistema de escape (vea la sección de accesorios). Las instrucciones de instalación se incluyen con el kit.

Es importante asegurarse de que la habitación tenga suficiente aire de compensación. El área donde se ubique la secadora no debe obstruir el flujo del aire de combustión o de ventilación.

Para las secadoras a gas, se debe mantener un despeje adecuado de acuerdo con la placa de información para asegurar el flujo adecuado del aire de combustión y el funcionamiento adecuado de la secadora.

DIMENSIONES DE LA SECADORA



INSTALACIÓN EN UN NICH O ARMARIO

Un electrodoméstico instalado en un armario no debe tener ningún otro electrodoméstico instalado en el mismo armario.

Cada área de abertura de la puerta debe ser de un mínimo de 36 pulg.2 (232,25 cm²). Estas aberturas no deben ser obstruidas. (Se puede usar una puerta tipo persiana con una abertura de ventilación equivalente.)

! ADVERTENCIA

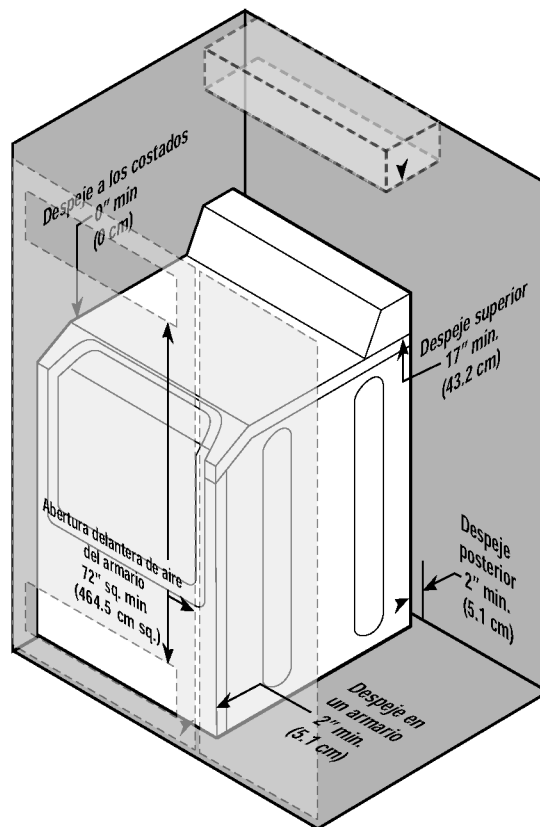
PARA REDUCIR EL RIESGO DE INCENDIO, LA SECADORA DEBE SER VENTILADA AL EXTERIOR DURANTE LA INSTALACIÓN.

INSTALACIÓN EN CASAS RODANTES

La instalación de la secadora en casas rodantes debe ser llevada a cabo según la Norma de Construcción y Seguridad de Viviendas Prefabricadas, Título 24 CFR, Parte 32-80 (la anteriormente denominada Norma Federal de Seguridad y Fabricación de Casas Rodantes, Título 24, HUD/Parte 280 de 1975) en los Estados Unidos o con las normas CSA Z240 en Canadá.

Cuando instale una secadora en una casa rodante, proporcione los medios necesarios para anclar la secadora al piso. Puede adquirir un kit # 12002643 de soporte de anclaje con instrucciones (vea la sección de accesorios). Ubique el electrodoméstico en un área que tenga suficiente aire de compensación. Se requiere una abertura mínima sin obstrucciones de 25 pulgadas cuadradas (161,29 cm²).

Todas las instalaciones en casas rodantes deben ser ventiladas al exterior con el terminal del conducto de ventilación fijado a la estructura de la casa rodante con materiales no combustibles. El conducto de ventilación no debe terminar debajo de la casa rodante.



DESPEJES MÍNIMOS PARA INSTALACIONES EN NICHOS O ARMARIOS: Costados – 0". Parte trasera – 2" (5,08 cm). Parte superior 17" (43,18 cm). Parte delantera – 2" (5,08 cm). La parte delantera del armario debe tener una abertura de aire sin obstrucciones de por lo menos 72 pulg² (464,52 cm²). Se puede usar una puerta persiana con una abertura de ventilación equivalente.

ESCAPE

La ventilación del escape de la secadora al exterior evitará que se proyecten grandes cantidades de pelusas y humedad hacia la habitación.

En los Estados Unidos y Canadá:

- Todas las secadoras deben ser ventiladas al exterior.

Fuera de los EE.UU. y Canadá:

- Consulte los códigos locales.

Los conductos flexibles de plástico se pueden retorcer, hundir, romperse, reducir el flujo de aire, extender los tiempos de secado y afectar el funcionamiento de la secadora. USE UN CONDUCTO RÍGIDO DE ACERO GALVANIZADO O ALUMINIO DE UN MÍNIMO DE 4 PULGADAS (10,2 cm) DE DIÁMETRO. No use conductos más pequeños. Los conductos de diámetros mayores a las 4 pulg. (10,2 cm) pueden aumentar la acumulación de pelusas. Las pelusas acumuladas deben ser limpiadas con frecuencia. Si debe utilizar un conducto de metal flexible, use un tipo de conducto de metal flexible con paredes rígidas.

! ADVERTENCIA

LOS CONDUCTOS PLÁSTICOS O FLEXIBLES DE MATERIAL NO METÁLICO REPRESENTAN UN RIESGO POTENCIAL DE INCENDIO. NUNCA USE CONDUCTOS FLEXIBLES DE PLÁSTICO O NO METÁLICOS. SI EL CONDUCTO EXISTENTE ES DE PLÁSTICO, NO METÁLICO O COMBUSTIBLE, REEMPLÁCELO CON UN CONDUCTO DE METAL. SÓLO USE CONDUCTOS DE ESCAPE DE METAL NO COMBUSTIBLES PARA ASEGURAR LA CONTENCIÓN DEL AIRE, CALOR Y PELUSAS DEL ESCAPE.

ESCAPE (cont.)

No use conductos flexibles con paredes de aluminio delgado. Pueden ocurrir bloqueos serios si el conducto de metal flexible se dobla demasiado. Nunca instale ningún tipo de conducto flexible en paredes, techos u otros espacios ocultos. Mantenga el conducto de escape la más derecho y corto posible. Los sistemas de escape más largos de lo recomendado pueden extender los tiempos de secado, afectar el funcionamiento del electrodoméstico y acumular pelusas. Asegure las conexiones con cinta para tubos. No use tornillos.

El conducto de escape debe terminar en una caperuza de ventilación de persiana para evitar corrientes inversas y la entrada de animales. Nunca use una caperuza de ventilación con persianas magnéticas. La caperuza debe tener una distancia de despeje de por lo menos 12 pulg. (30,5 cm) entre la parte inferior de la caperuza y el piso o cualquier otra obstrucción. La abertura de la caperuza debe estar dirigida hacia abajo. Nunca instale una malla sobre la salida del escape.

Cuando sea posible, no ventile la secadora directamente a un pozo de ventana para evitar la acumulación de pelusas. No ventile la secadora debajo de una casa o de un porche.

Si es necesario instalar el conducto a través de un área sin calefacción, el conducto debe ser aislado e inclinado levemente hacia abajo y hacia la caperuza de ventilación para reducir la condensación y la acumulación de pelusas.

Si se va a utilizar un sistema de ventilación existente con su secadora nueva, asegúrese de lo siguiente:

- Que el sistema de escape cumpla con todos los códigos locales, estatales y nacionales.
- Que no se esté utilizando un conducto de plástico flexible.
- Que se inspeccione y se limpie cualquier acumulación de pelusas en el interior del conducto existente.
- Que el conducto no esté torcido o aplastado.
- Que la persiana de la caperuza de ventilación se abra y se cierre libremente.

La presión estática de cualquier sistema de escape no debe exceder las 0,92" (2,33 cm) c.d.a. o ser menor de 0. La presión puede ser medida mientras la secadora está en funcionamiento usando un manómetro en el lugar donde el conducto de escape se conecta a la secadora. Use un ciclo sin calor. El tambor de la secadora debe estar vacío y el filtro de pelusas limpio.

Inspeccione y limpie el interior o el sistema de escape por lo menos una vez al año. Desconecte el suministro eléctrico antes de realizar la limpieza. Verifique la tubería de gas en las secadoras a gas cada vez que se mueva la secadora. Verifique el conducto con frecuencia para asegurarse de que la persiana de la caperuza se abra y se cierre libremente.

⚠ ADVERTENCIA

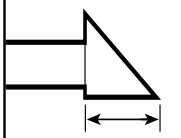
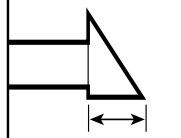
PARA REDUCIR EL RIESGO DE INCENDIO, LA SECADORA DEBE SER VENTILADA AL EXTERIOR DURANTE LA INSTALACIÓN.

⚠ ADVERTENCIA

NO VENTILE LA SECADORA EN NINGUNA PARED, TECHO, ESPACIO REDUCIDO O ESCONDIDO DE UN EDIFICIO, RESPIRADERO DE GAS O CUALQUIER OTRO CONDUCTO O CHIMENEA COMÚN ESTO PUEDE CREAR UN PELIGRO DE INCENDIO POR LAS PELUSAS DESPEDIDAS POR LA SECADORA.

LARGO DEL CONDUCTO DE ESCAPE

Largo máximo del conducto rígido de 4"

Número de codos de 90 separados por 4 pies de tramos derechos como mínimo.	CUBIERTA DE LA CAPERUZA DE VENTILACIÓN	
	 4" (10.2cm) Cavidad	 2 1/2" (6.4cm) Cavidad
0	100 Feet (30.5m)	59 Feet (18.0m)
1	80 Feet (24.4m)	48 Feet (14.6m)
2	65 Feet (19.8m)	38 Feet (11.6m)
3	50 Feet (15.2m)	30 Feet (9.1m)
4	35 Feet (10.7m)	22 Feet (6.7m)

Longitud máxima del conducto de metal flexible de paredes rígidas de 4" (10,16 cm) de diámetro

0	36 Feet (11.0m)	28 Feet (8.5m)
1	32 Feet (9.8m)	24 Feet (7.3m)
2	28 Feet (8.5m)	20 Feet (6.1m)
3	25 Feet (7.6m)	17 Feet (5.2m)
4	23 Feet (7.0m)	15 Feet (4.6m)

REQUERIMIENTOS DEL SUMINISTRO DE GAS

Sólo use gas natural o LP (propano líquido).

PRECAUCIÓN

LA INSTALACIÓN DEBE LLEVARSE A CABO DE ACUERDO CON LOS CÓDIGOS LOCALES, O, EN AUSENCIA DE ELLOS, CON EL CÓDIGO NACIONAL DE GAS COMBUSTIBLE ANSI/Z223.1, ÚLTIMA REVISIÓN (PARA LOS ESTADOS UNIDOS) O CON LOS CÓDIGOS DE INSTALACIÓN CAN/CGA-B149 (PARA CANADÁ).

Se recomienda el uso de una tubería de suministro de gas de 1/2" (1,27 cm), la cual debe ser reducida para conectarse a la tubería de 3/8" (0,95 cm) de la secadora.

El Código Nacional de Gas Combustible requiere que se instale una válvula aprobada de cierre manual del suministro de gas en un lugar accesible a 6 pies (1,8 m) de la secadora.

Se debe instalar una rosca cubierta NPT de 1/8" (38,1 mm) en un lugar accesible en el suministro de gas hacia la conexión del suministro a la secadora para conectar medidores de prueba. La secadora debe ser desconectada del sistema de tuberías del suministro de gas durante cualquier prueba de presión del sistema.

PRECAUCIÓN

NO UTILICE TUBERÍAS DE METAL FLEXIBLE USADAS. LA TUBERÍA FLEXIBLE DE GAS DEBE SER CERTIFICADA EN DISEÑO POR LA ASOCIACIÓN AMERICANA DE GAS (CGA EN CANADÁ).

ENCENDIDO DEL GAS

Esta secadora usa un sistema de encendido automático para encender el quemador. No hay un piloto encendido constantemente.

INSTRUCCIONES DE INSTALACIÓN PARA LA MANCOMUNIDAD DE MASSACHUSETTS

Esta secadora a gas debe ser instalada por un plomero o instalador de gas licenciado.

Se debe instalar una válvula de gas manual con manija en "T" en la tubería de suministro de gas a esta secadora.

Si se usa un conector flexible de gas para instalar esta secadora a gas, la longitud del conector debe ser de un máximo de 3 pies (0,91 m).

Las secadoras a gas vienen equipadas con un orificio de quemador para gas NATURAL.

PRECAUCIÓN

SI SE USA LA SECADORA CON GAS LP (PROPANO LÍQUIDO), LA MISMA DEBE SER CONVERTIDA PARA SU FUNCIONAMIENTO ADECUADO Y SEGURO. LA CONVERSIÓN DEBE SER LLEVADA A CABO POR UN TÉCNICO DE SERVICIO CALIFICADO.

Puede adquirir kits de conversión de gas NATURAL a LP o LP a NATURAL de su distribuidor Maytag local (vea la sección de accesorios). Si se requieren conversiones adicionales, consulte a su compañía de gas para obtener información específica referente a los requerimientos de conversión.

PRECAUCIÓN

LAS SECADORAS A GAS INSTALADAS EN GARAJES RESIDENCIALES DEBEN SER ELEVADAS 18" (46 CM) SOBRE EL PISO.

NOTA: Cualquier compuesto de conexión de tuberías que se utilice debe ser resistente a la acción de cualquier gas de petróleo líquido.

NOTA: A modo de cortesía, las compañías locales de gas inspeccionan instalaciones de electrodomésticos a gas.

! ADVERTENCIA

PUEDO OCURRIR UN ESCAPE DE GAS EN SU SISTEMA Y PROVOCAR UNA SITUACIÓN PELIGROSA. LOS ESCAPES DE GAS NO NECESARIAMENTE SE DETECTAN ÚNICAMENTE POR EL OLOR A GAS. LOS PROVEEDORES DE GAS RECOMIENDAN QUE COMPRE E INSTALE UN DETECTOR DE GAS APROBADO POR EL UL. INSTÁLELO Y ÚSELO DE ACUERDO CON LAS INSTRUCCIONES DEL FABRICANTE.

REQUERIMIENTOS ELÉCTRICOS

NOTA: El diagrama del cableado está ubicado dentro de la consola de control.

Modelos de exportación (fuera de los EE.UU. o Canadá): Vea las instrucciones adicionales para los modelos de exportación

! ADVERTENCIA

PARA EVITAR RIESGOS INNECESARIOS DE INCENDIO, CHOQUE ELÉCTRICO O LESIONES PERSONALES, TODO EL CABLEADO Y LA PUESTA A TIERRA DEBEN SER LLEVADAS A CABO DE ACUERDO CON LOS CÓDIGOS LOCALES, O, EN AUSENCIA DE ELLOS, CON EL CÓDIGO NACIONAL DE ELECTRICIDAD, ANSI/NFPA NO. 70-ÚLTMA EDICIÓN (PARA LOS ESTADOS UNIDOS) O CON EL CÓDIGO CANADIENSE DE ELECTRICIDAD CSA C22.1 (PARA CANADÁ).

PUESTA A TIERRA

Esta secadora debe ser puesta a tierra. En caso de una falla o daño, la conexión a tierra reducirá el riesgo de choque eléctrico al proporcionar una trayectoria de menor resistencia para la corriente eléctrica.

MODELOS A GAS

Este electrodoméstico viene equipado con un cordón eléctrico que cuenta con un conductor de puesta a tierra y un enchufe con puesta a tierra. El enchufe debe ser conectado a un tomacorriente correspondiente que haya sido instalado de manera correcta de acuerdo con todos los códigos y leyes locales.

No modifique el enchufe proporcionado con el electrodoméstico – si el enchufe no cabe en el tomacorriente, haga que un electricista calificado instale un tomacorriente adecuado.

Si los códigos locales requieren una puesta a tierra separada, puede adquirir un kit de puesta a tierra (No. de pieza 12001875). El mismo contiene el cable de puesta a tierra, la abrazadera, el tornillo de puesta a tierra y la arandela. Conecte el cable de puesta a tierra a la parte posterior del electrodoméstico usando el tornillo de puesta a tierra y la arandela. Fije el otro extremo del cable de puesta a tierra a una conexión a tierra externa adecuada. El cable puede ser fijado con el sujetador a una tubería de metal de agua FRÍA puesta a tierra.

MODELOS ELÉCTRICOS

Los modelos eléctricos estadounidenses son enviados con una cinta de conexión a tierra conectada al marco de la secadora desde el neutro del tablero de terminales. Si los códigos locales prohíben el uso de una cinta de puesta a tierra, realice la conexión a tierra de la secadora de acuerdo con los códigos locales.

Si no se utiliza un cordón eléctrico y la secadora eléctrica va a permanecer conectada de manera permanente, la misma debe ser conectada a un sistema de cableado de metal permanente puesto a tierra. Alternativamente, se debe conectar un conductor de puesta a tierra del equipo junto con los conductores del circuito en el terminal de puesta a tierra del equipo.

CONEXIONES ELÉCTRICAS

ANTES DE USAR O PROBAR EL ELECTRODOMÉSTICO, siga todas las instrucciones de puesta a tierra en la sección correspondiente. Se recomienda usar un circuito independiente (o separado) para uso exclusivo de este electrodoméstico.

! ADVERTENCIA

LA CONEXIÓN INADECUADA DEL CONDUCTOR DE PUESTA A TIERRA DEL EQUIPO PUEDE CAUSAR UN CHOQUE ELÉCTRICO. SI NO ESTÁ SEGURO DE QUE EL ELECTRODOMÉSTICO ESTÁ DEBIDAMENTE CONECTADO A TIERRA, CONSULTE A UN ELECTRICISTA O TÉCNICO DE SERVICIO.

PRECAUCIÓN

NUNCA CONECTE EL CABLE DE PUESTA A TIERRA A TUBERÍAS DE AGUA DE PLÁSTICO, A TUBERÍAS DE GAS O A TUBERÍAS DE AGUA CALIENTE.

PRECAUCIÓN

NUNCA USE UN CORDÓN DE EXTENSIÓN.

CONEXIONES ELÉCTRICAS (cont.)

MODELOS A GAS – EE.UU. y Canadá

Se requiere un suministro eléctrico aprobado de 120 V, 60 Hz. CA con un fusible de 15 A o un disyuntor de circuito.

MODELOS ELÉCTRICOS – EE.UU. solamente

La mayoría de las secadoras estadounidenses requieren de acuerdo con su fabricación un suministro eléctrico de 120/240 V, 60 Hz CA aprobado. Algunas requieren un suministro eléctrico de 120/208 V, 60 Hz aprobado. Puede obtener los requerimientos del suministro eléctrico en la etiqueta de información ubicada en la parte delantera detrás de la puerta. Se requiere un fusible de 30 A o un disyuntor equivalente en ambos lados de la línea.

Se debe realizar la conversión correspondiente si se va a utilizar una secadora eléctrica estadounidense de 120/240 V en un sistema eléctrico de 120/208 V. Puede adquirir un kit de conversión del elemento calentador.

Si se usa un cordón eléctrico, el mismo debe estar enchufado a un tomacorriente de 30 A.

El cordón eléctrico NO es suministrado en las secadoras eléctricas estadounidenses.

IMPORTANTE: Cuando los códigos locales lo permitan, el suministro eléctrico de la secadora eléctrica debe ser conectado a través de un kit de cordón eléctrico nuevo marcado para su uso con secadoras de ropa, certificado por la UL para un mínimo de 120/240 V, 30 A con tres conductores de alambre de cobre N° 10 con terminales de bucle cerrado, de bucle abierto con extremos curvos hacia arriba o con terminales estañados.

No utilice el cordón de suministro eléctrico de una secadora vieja. El cableado del suministro eléctrico del cordón eléctrico debe ser retenido en el gabinete de la secadora con un dispositivo de liberación de tensión adecuado certificado por la UL.

Si se va a instalar la secadora en una casa rodante, en un vehículo recreativo, en un circuito independiente nuevo o en un área donde los códigos locales no permiten la puesta a tierra a través del neutro, sólo se debe usar un cordón eléctrico de 4 conductores certificado y con terminales como los descritos anteriormente.

MODELOS ELÉCTRICOS – Canadá solamente

Se requiere un suministro eléctrico aprobado de 120/240 V, 60 Hz CA con un fusible de 30 A o un disyuntor equivalente a cada lado de la línea.

Todos los modelos canadienses vienen equipados con un cordón eléctrico. El cordón eléctrico debe ser enchufado a un tomacorriente de 30 A.

NOTA: En Canadá, está prohibido convertir una secadora a 208 V.

PIEZAS DE REPUESTO Y ACCESORIOS

Si necesita piezas de repuesto o accesorios para la secadora, póngase en contacto con el distribuidor donde adquirió su secadora o con:

Maytag Customer Service

Box 2370

Cleveland, Tennessee 37320-2370

phone 1-800-688-9900 en los EE. UU. 1-800-688-9902 en Canada

para obtener información sobre el distribuidor autorizado de piezas Maytag más cercano.

INFORMACIÓN ADICIONAL PARA USO INTERNACIONAL (fuera de los EE.UU. o Canadá)

Los modelos de las secadoras Maytag que fueron fabricados para funcionar en un circuito de 60 Hz CA no pueden ser usados con un suministro eléctrico de 50 Hz CA. No se recomienda realizar la conversión del producto de 60 Hz a 50 Hz. Para obtener información adicional sobre productos de 50 Hz, póngase en contacto con Maytag International.

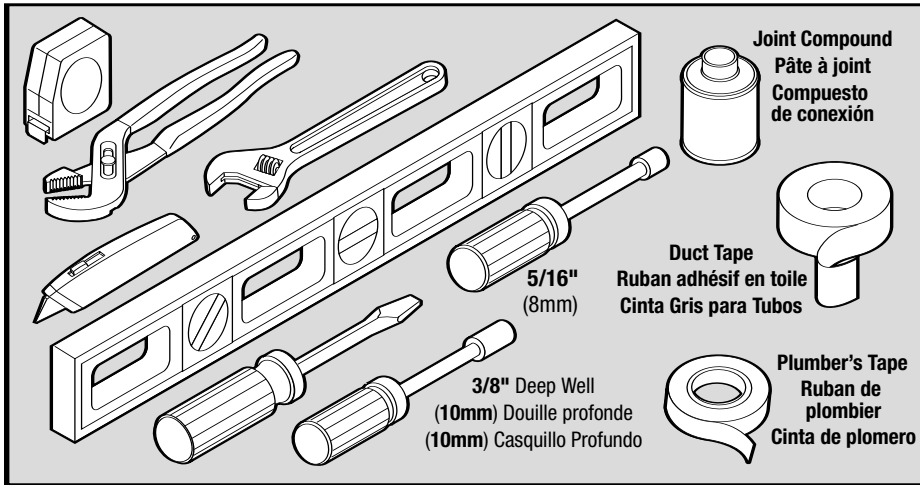
Maytag International

1475 East Woodfield Road

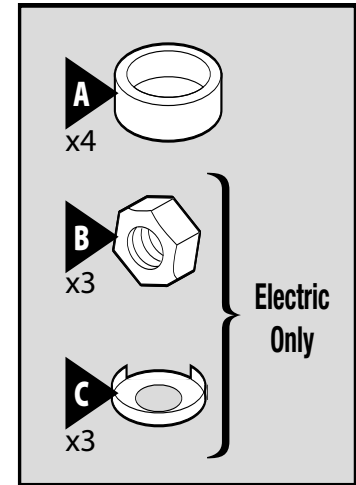
Schaumburg, Illinois USA 60173

phone 847-273-3100

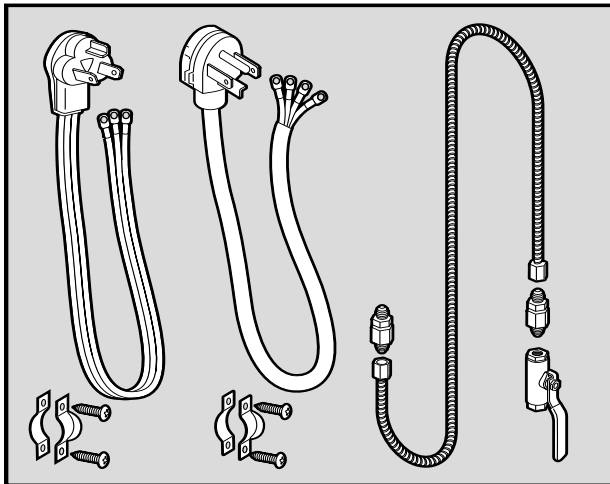
Puede obtener los requerimientos del suministro eléctrico en la etiqueta de información ubicada en la parte delantera de la secadora detrás de la puerta.



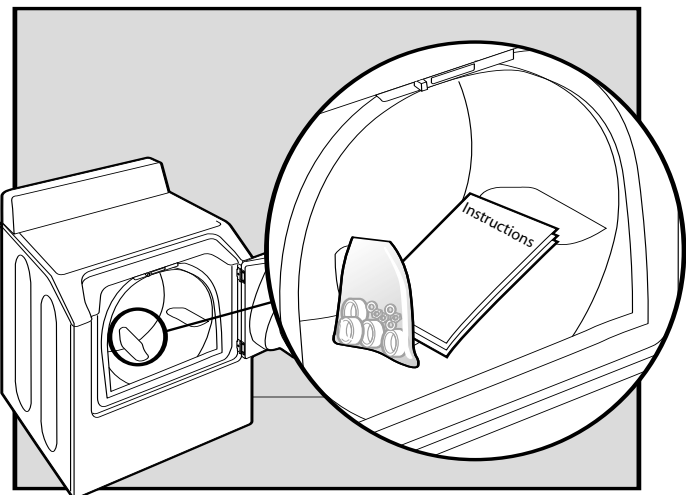
Tools needed./Outils nécessaires./Herramientas necesarias.



Items Included./Articles inclus./Artículos Incluidos

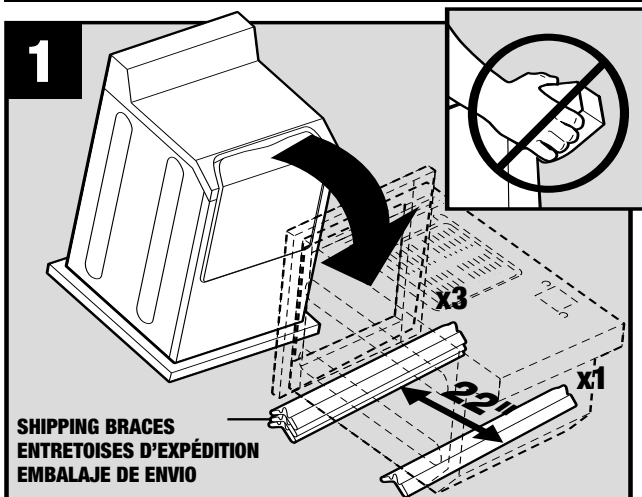


Not included./Non inclus./No se incluye.

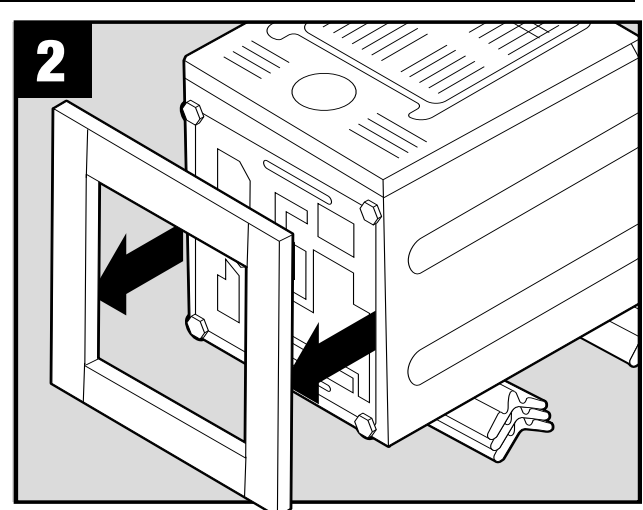


Nuts and washers for connecting electrical cord to machine./Écrous et rondelles pour le raccordement du cordon électrique à la machine./ Tuercas y arandelas para realizar la conexión del cordón eléctrico al electrodoméstico.

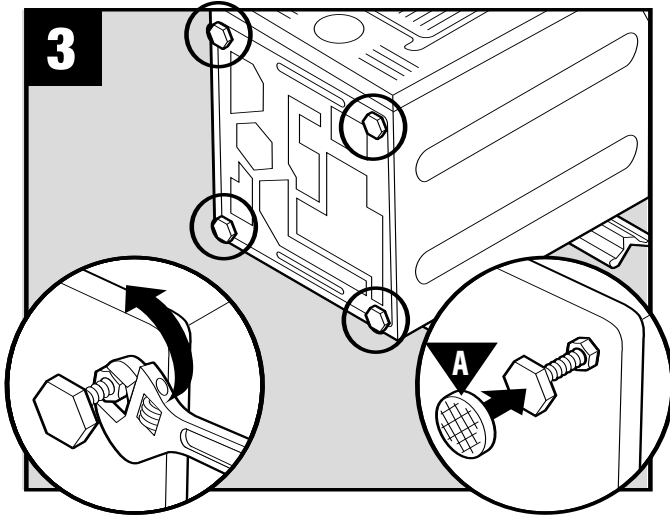
Before Installation/Avant l'installation/Antes de la Instalación



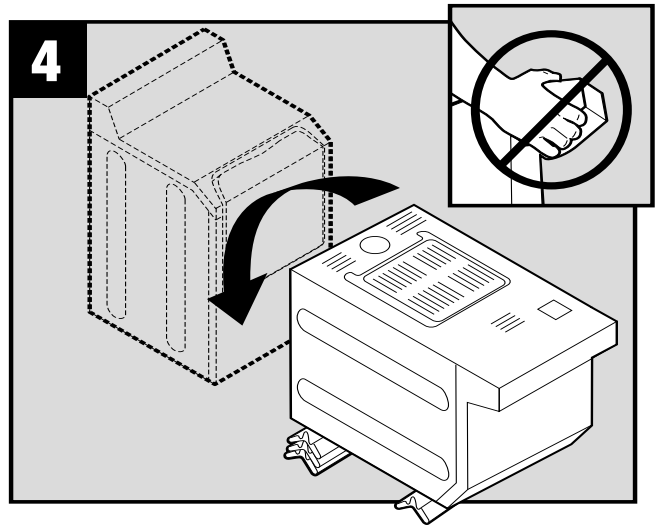
Gently lay dryer on its front being careful to not damage components; take care not to hold the control panel./Déposez doucement la sècheuse sur la face avant, en prenant soin de ne pas endommager les composants. Assurez-vous de ne pas tenir l'appareil par le tableau de commande./Voltee cuidadosamente la secadora sobre su parte delantera teniendo cuidado de no dañar cualquier pieza o de sostener el panel de control.



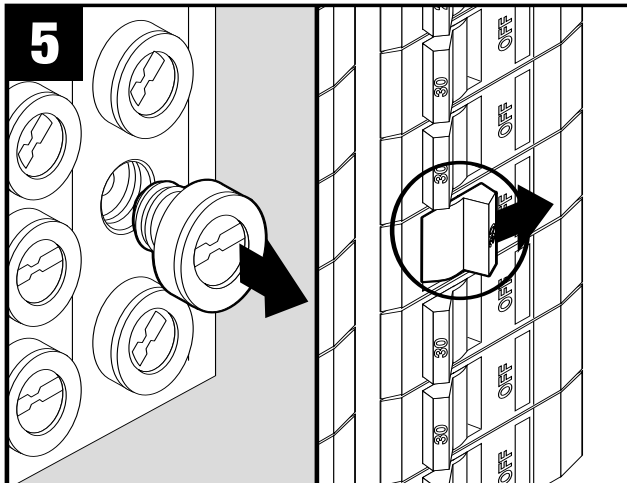
Remove crate bottom./Enlevez le dessous du cadre./Retire la base de la caja.



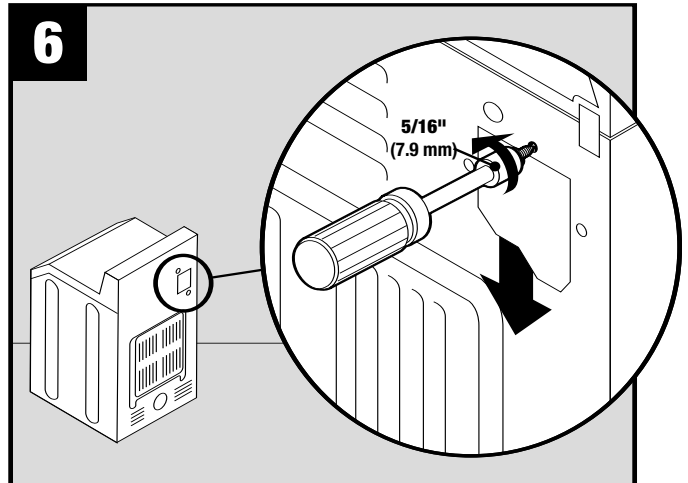
Loosen leveling nuts and install vinyl feet./Desserrez les écrous de mise à niveau et installez les pieds de vinyle./Aloje las tuercas de nivelación e instale las patas de vinilo.



Gently return to upright position being careful to not damage exhaust duct or other components; take care not to hold the control panel./Remettez doucement la sècheuse en position debout en prenant soin de ne pas endommager le conduit d'évacuation ou d'autres composants. Assurez-vous de ne pas tenir l'appareil par le tableau de commande./Vuelva a colocar cuidadosamente la secadora en posición vertical teniendo cuidado de no dañar el conducto de escape o cualquier otra pieza; tenga cuidado también de no sostener el panel de control.



Turn off power at fuse box./Coupez l'alimentation électrique au fusible./Corte la energía eléctrica en la caja de fusibles.



Remove metal cover to access wire connections./Enlevez le couvercle métallique pour accéder aux raccordements./Retire la cubierta de metal para tener acceso a las conexiones de los cables.

Choose Electrical Connection/Choix du branchement électrique/Elija la conexión eléctrica

A

Not Included/
Non inclus/
No se incluye

240v 3-Wire/240V 3 fils/Cable Trifilar para 240V

Go to A1./Allez à A1./Vaya a A1.

B

Not Included/
Non inclus/
No se incluye

240v 4-Wire/240v/ 240V 4 fils/Cable Trifilar para 240V

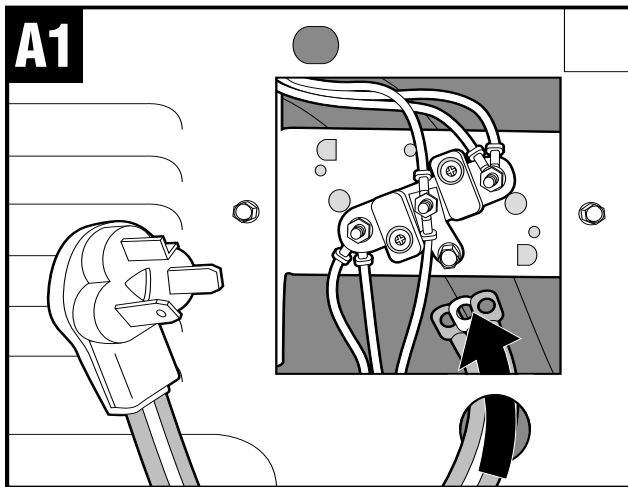
Go to B1./Allez à B1./Vaya a B1.

C

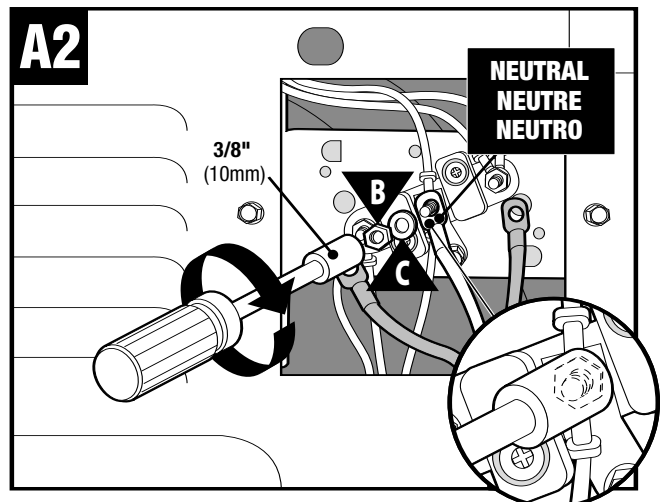
**120v 15amp Gas Unit/
Appareil à gaz; 120 V, 15 A/
Unidad a Gas - 120V 15 Amp.**

Go to Step 7./Allez à l'étape 7./
Vaya al Paso 7.

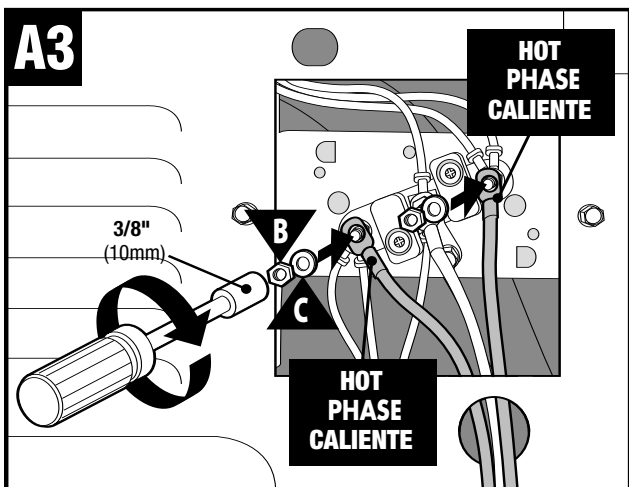
240v 3-Wire/240 V, 3 fils/Cable Trifilar para 240 V



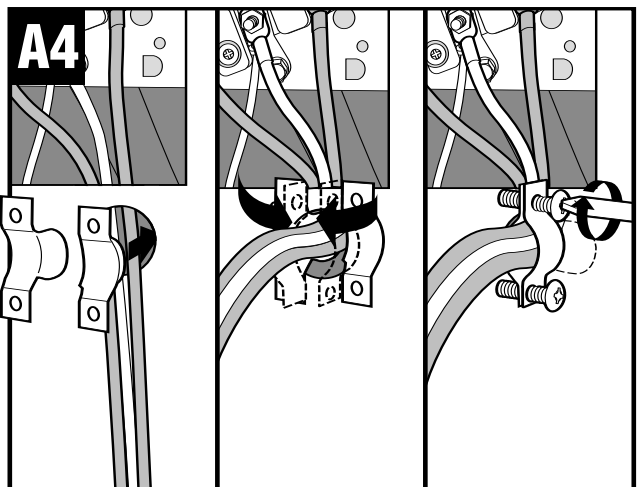
A1
Insert cord connections through hole. (NOTE: Mark middle [Neutral] connection before inserting.)/Insérez les raccordements du cordon dans le trou. (Remarque : Marquez le raccordement central (neutre) avant l'insertion.)/Inserte las conexiones del cordón a través del agujero (Nota: Marque la conexión central (Neutro) antes de insertarlas.)



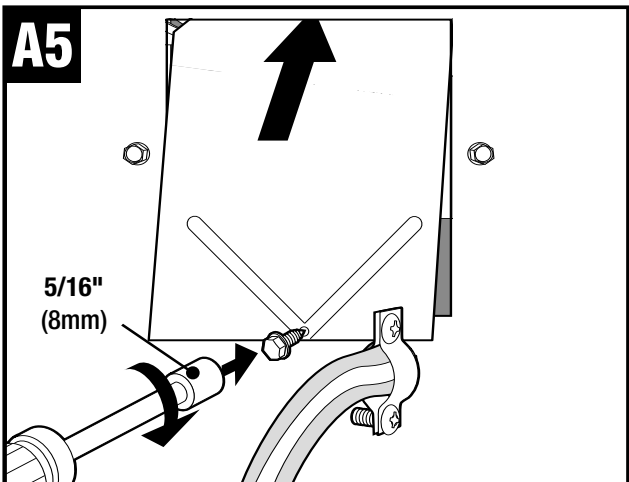
A2
Attach neutral wire to center post. (NOTE: Use deep well nut driver for all connections to assure tight fit on all terminals.)/Raccordez le fil de neutre au goujon central. (Remarque : Utilisez une douille profonde pour tous les raccordements pour vous assurer que toutes les bornes sont bien serrées.)/Instale el alambre neutro a la clavija central. (Nota: Use la llave de tuercas de casquillo profundo para todas las conexiones a fin de asegurar un ajuste apretado en todos los bornes.)



A3
Attach Line 1 and Line 2 (Hot Phase) wires./Reliez les fils de la ligne 1 et la ligne 2 (phase chaude)/Instale los cables de la línea 1 y línea 2 (fase activa).



A4
Attach wire strain protector./Fixez la protection du fil./Instale el sujetacable protector.

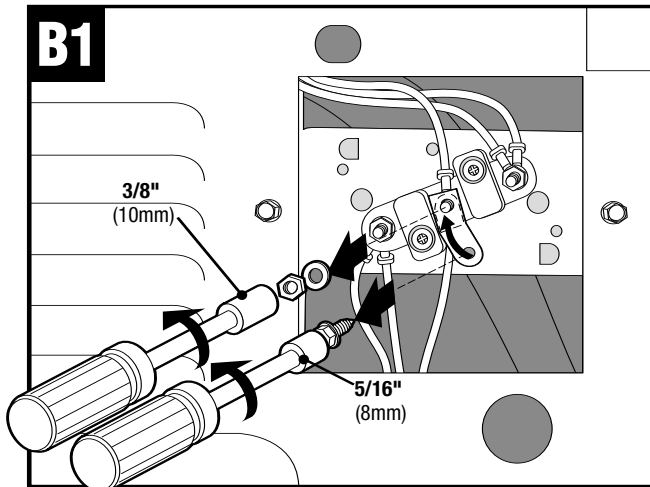


A5
Replace metal cover./Remettez le couvercle métallique./Vuelva a colocar la cubierta de metal.

Go to step 7 on page 24.
Rendez-vous à l'étape 7, page 24.
Vaya al paso 7 en la página 24.

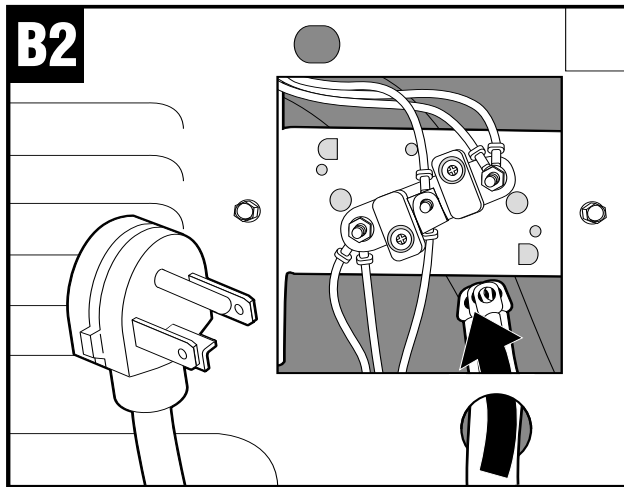
240v 4-Wire/240 V, 4 fils/Cable Tetrafilar para 240 V

B1



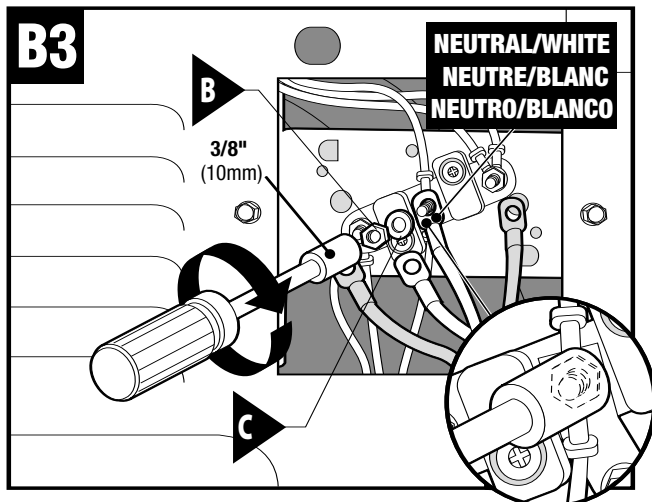
Remove the ground strap screw from terminal block support. Fold the ground strap over so both ends are attached to the center post of the terminal block./Retirez la vis de la bande de prise de terre qui est insérée dans le support du bloc de branchement. Pliez la bande de prise de terre de manière à ce que les deux bouts soient fixés à la borne centrale du bloc de branchement./Retire el tornillo de la cinta de puesta a tierra del soporte del tablero de terminales. Doble la cinta de puesta a tierra de manera que ambos extremos estén fijados al poste central del tablero de terminales.

B2



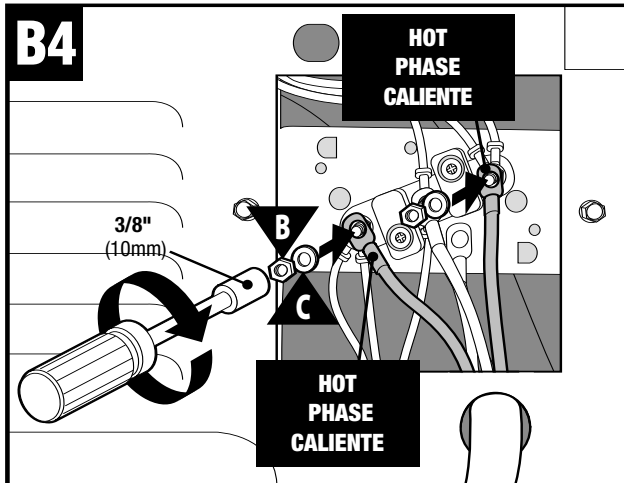
Insert cord connections through hole./Insérez les raccordements du cordon à travers le trou./Inserte las conexiones del cordón a través del agujero.

B3



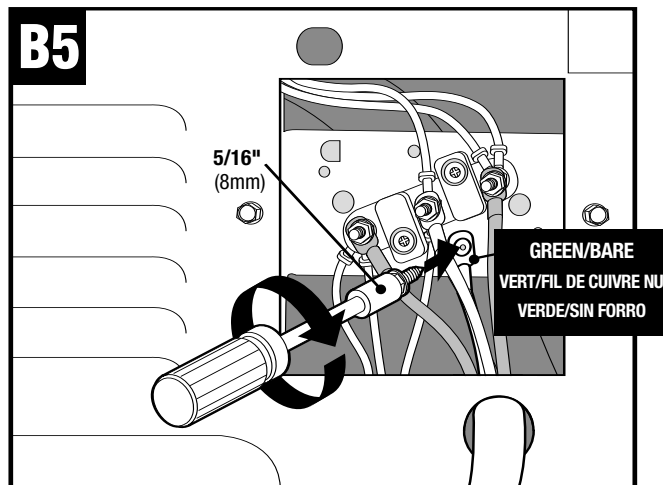
Attach neutral wire to center post, (NOTE: Use deep well nut driver for all connections to assure tight fit on all terminals.)/Raccordez le fil de neutre au goujon central. (Remarque : Utilisez une douille profonde pour tous les raccordements pour vous assurer que toutes les bornes sont bien serrées.)/ Instale el alambre neutro en la clavija central, (NOTA: Use la llave de tuerca de casquillo profundo para todas las conexiones a fin de asegurar un ajuste apretado en todos los bornes.)

B4



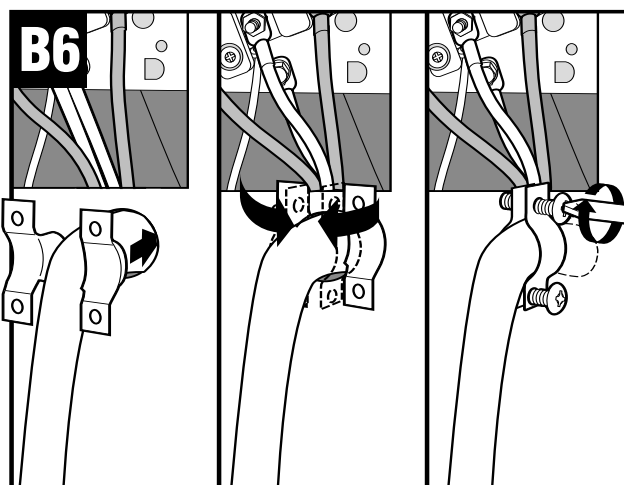
Attach Line 1 and Line 2 (Hot Phase) wires./Reliez les fils de la ligne 1 et la ligne 2 (phase chaude)./Instale los cables de la línea 1 y línea 2 (fase activa).

B5

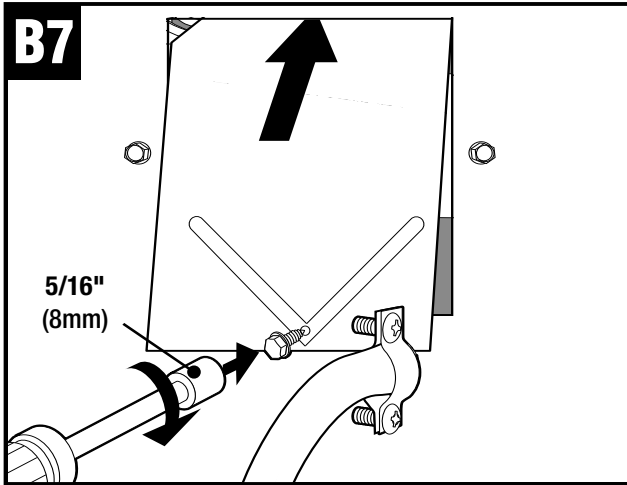


Attach ground wire./Raccordez le fil de terre./Instale el alambre de conexión a tierra.

B6



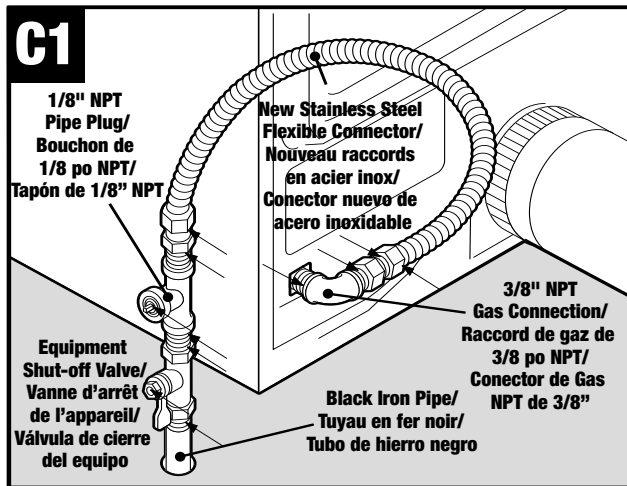
Attach wire strain protector./Fixez la protection du fil./ Instale el sujetacable protector.



Replace wire connections metal cover./Remettez le couvercle métallique./
Vuelva a colocar la cubierta metálica de las conexiones de los alambres.

Go to step 7 on page 24.
Rendez-vous à l'étape 7, page 24.
Vaya al paso 7 en la página 24.

Gas Unit Hookup/Raccordement d'un appareil à gaz/Conexión de la Secadora a Gas



Attach approved natural gas pipe connection per local codes. Ensure that gas line does not touch or vibrate against the cabinet of exhaust duct./Fixez le raccordement du tuyau de gaz naturel selon les règlements locaux. Assurez-vous que la conduite de gaz n'est pas placée ou ne vibre pas contre le conduit d'évacuation de la caisse./ Instale la conexión aprobada de la tubería del gas natural de acuerdo con los códigos locales. Asegúrese de que la tubería de gas no toque o vibre sobre el exterior del conducto de escape.

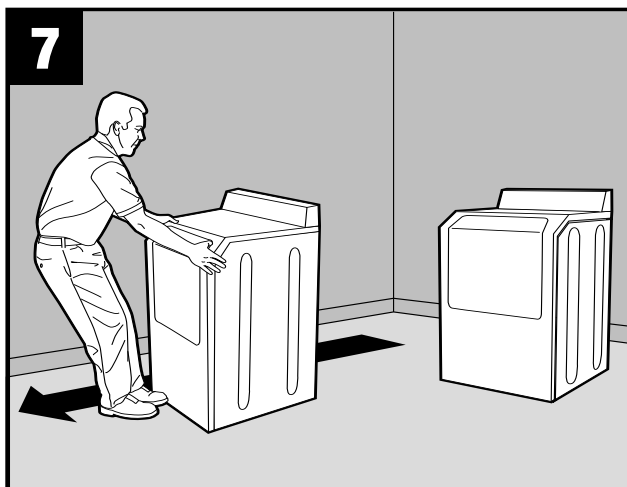
CAUTION:
Moderate pressure is all that is required to make a tight joint. Do not use excessive force as damage to the valve may occur.
Check all connections and joints for leaks with soap and water.
DO NOT use an open flame to check for gas leaks.

ATTENTION :
Seule une pression modérée est nécessaire pour établir une bonne étanchéité du raccord. N'utilisez pas une trop grande force qui pourrait endommager la vanne.
Vérifiez l'absence de fuites pour tous les raccords et joints en utilisant de l'eau et du savon.

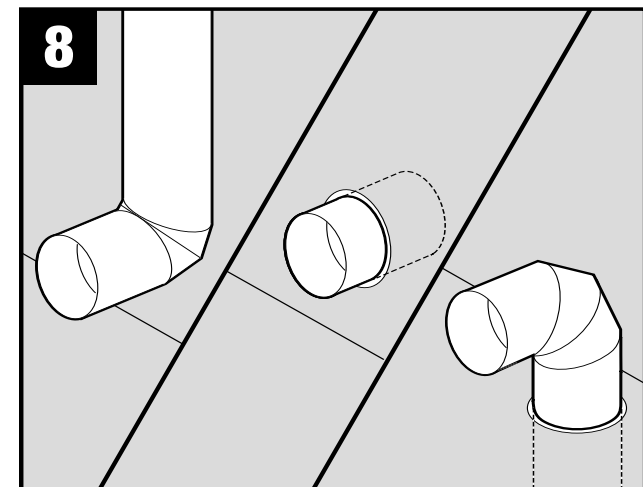
N'utilisez PAS de flamme nue pour détecter les fuites de gaz.

ATENCION:
Una presión moderada es todo lo necesario para hacer una junta hermética. No use demasiada fuerza pues puede dañar la válvula.
Usando agua y jabón, revise todas las conexiones y uniones para verificar que no haya escapes.
NO use una llama abierta para verificar si hay escapes.

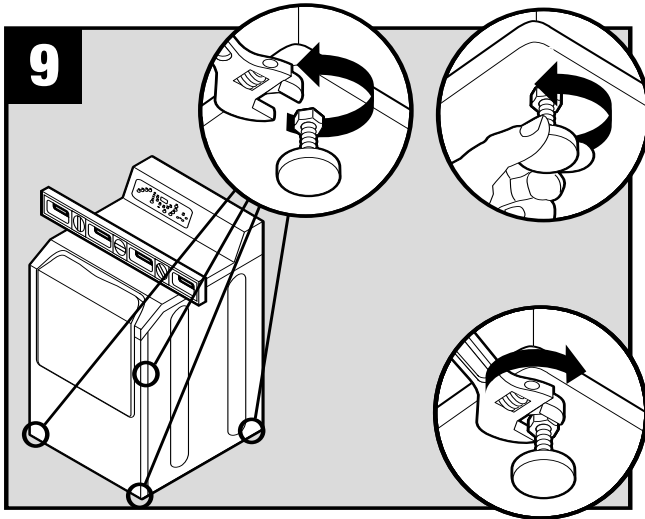
Installation/Installation/Instalación



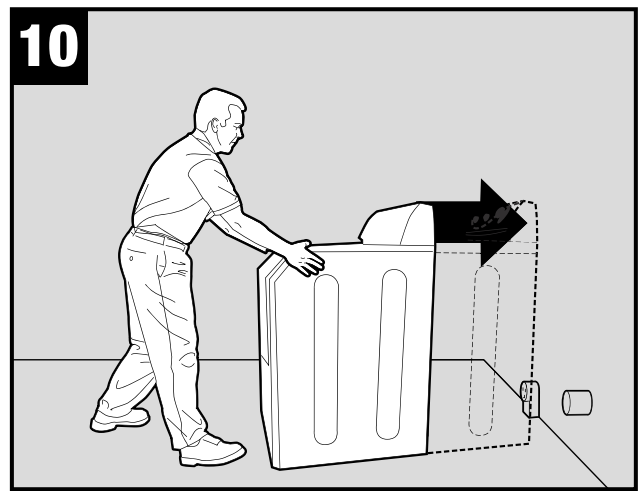
Allow ample space for installation./Laissez suffisamment d'espace pour l'installation./Disponga de un espacio amplio para la instalación.



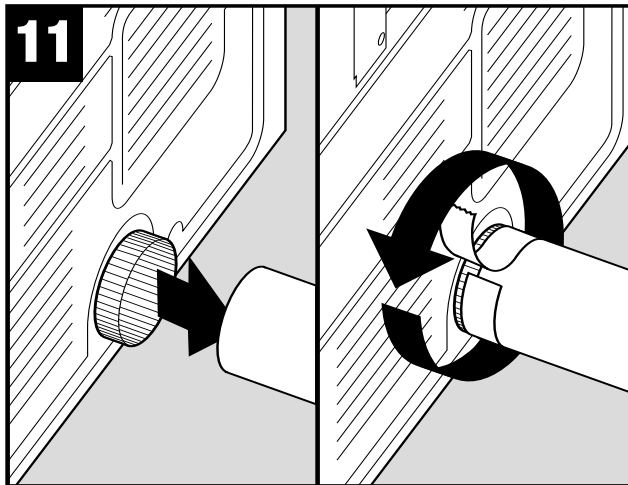
Use rigid metal exhaust duct./Utilisez un tuyau métallique rigide de sortie./ Use conducto de escape rígido de metal.



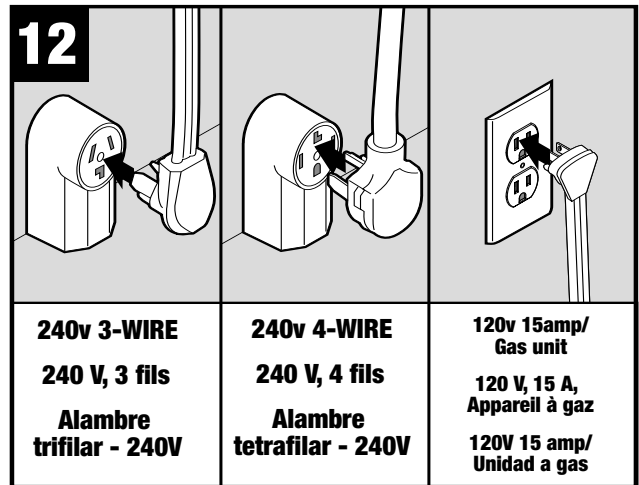
9
 Adjust legs until dryer is level side-to-side and front-to-back. Then lock the nut to base./Réglez les pieds de la sècheuse jusqu'à ce qu'elle soit mise à niveau. Ensuite, verrouillez l'écrou à la base./Ajuste las patas hasta que la secadora esté nivelada de lado a lado y de adelante hacia atrás. Luego bloquee la tuerca en la base.



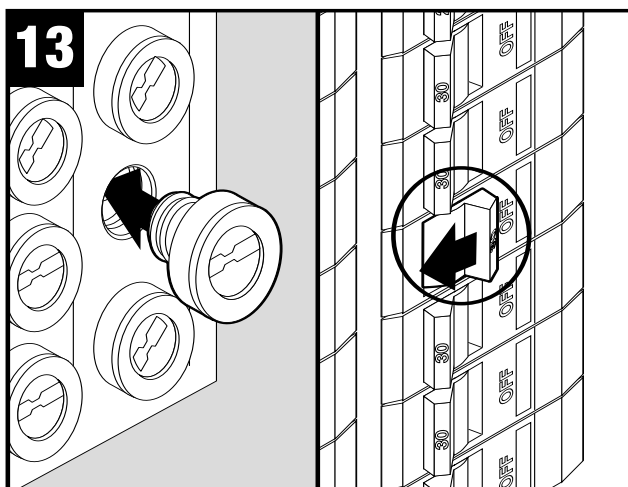
10
 Carefully position dryer in final position./Déplacez soigneusement la sècheuse dans sa position définitive./Coloque con cuidado la secadora en su lugar definitivo.



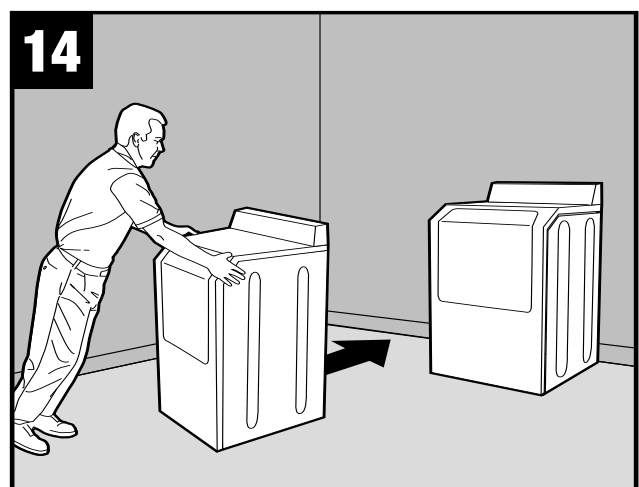
11
 Secure vent connection./Fixez le raccordement du tuyau de sortie./Asegure la conexión del conducto de escape.



12
 Plug in unit./Branchez l'appareil./Enchufe la secadora.



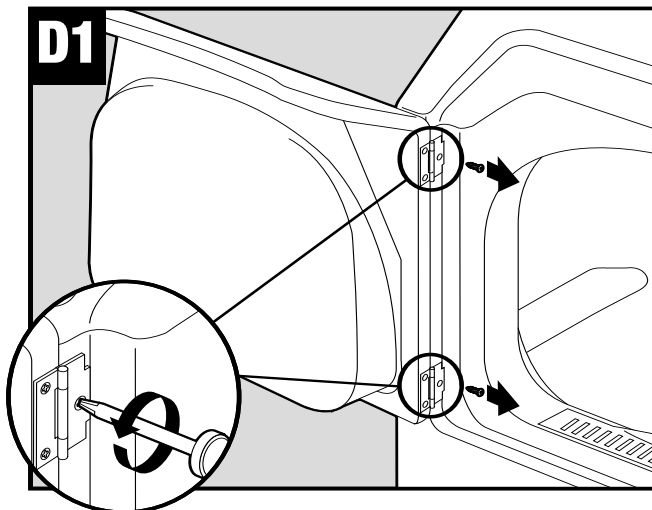
13
 Turn on power at fuse box./Remettez le courant au fusible./Conecte la energía eléctrica en la caja de fusibles.



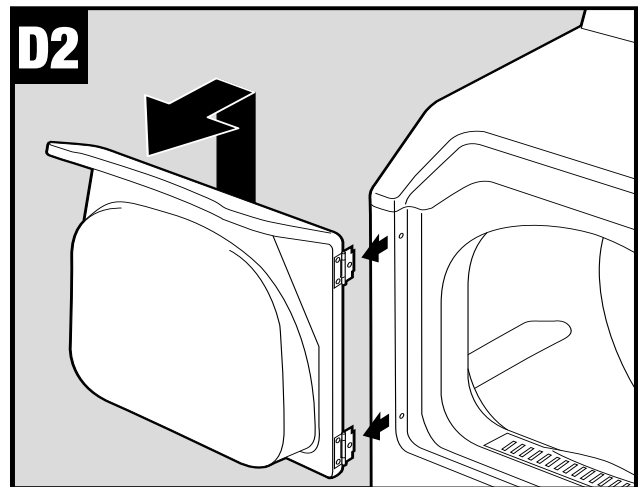
14
 Replace equipment adjacent to final dryer position./Remettez l'équipement adjacent à la position finale de la sècheuse./Vuelva a colocar en su lugar el equipo adyacente al lugar definitivo de la secadora.

Option/Option/Opción

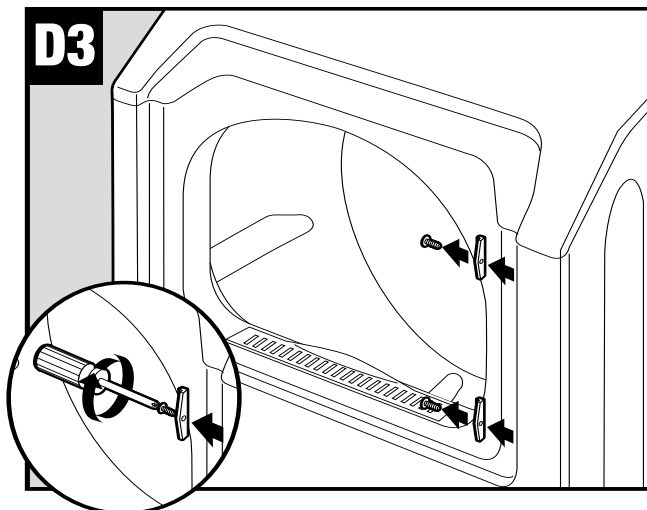
Reversing The Door/Inversion de la porte/Inversión de la puerta



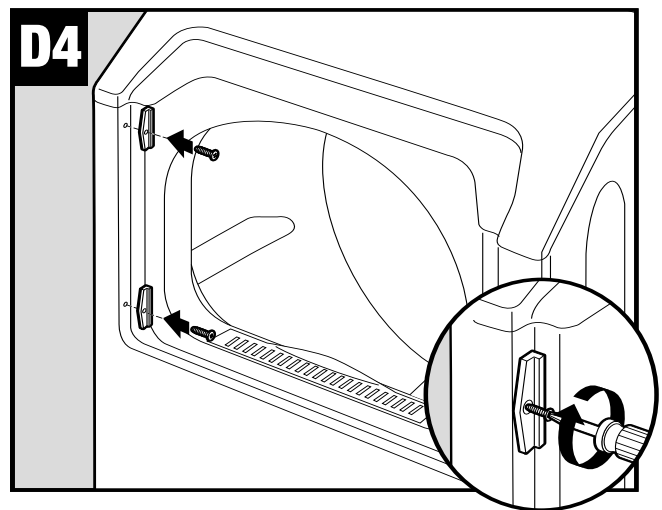
Remove center screws from hinges./Retirez les vis centrales des charnières./Remueva los tornillos centrales de las bisagras.



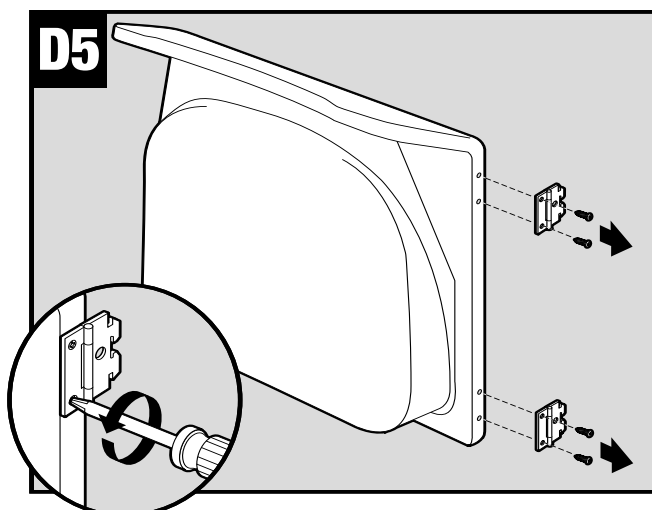
Remove door by lifting up then out to disengage hinges from dryer./Enlevez la porte en la soulevant, puis en la tirant vers vous pour la dégager des charnières de la sècheuse./ Retire la puerta levantándola y sacándola para desenganchar las bisagras de la secadora.



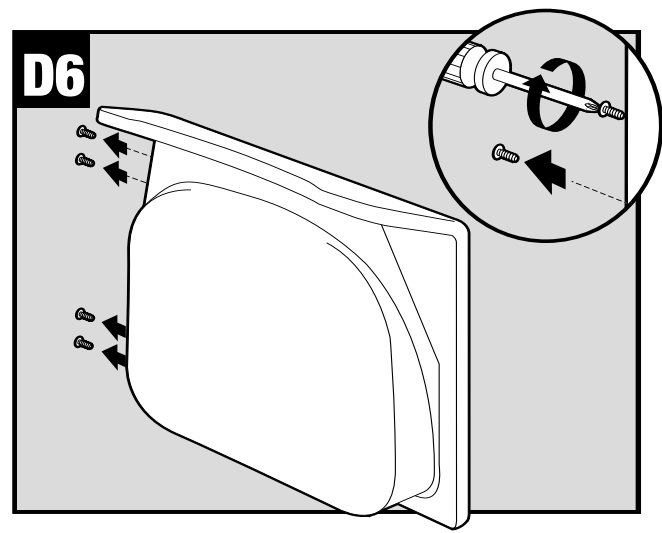
Remove the hinge covers from the opposite side./Retirez les couvre-charnières du côté opposé./Remueva las cubiertas de las bisagras del lado opuesto.



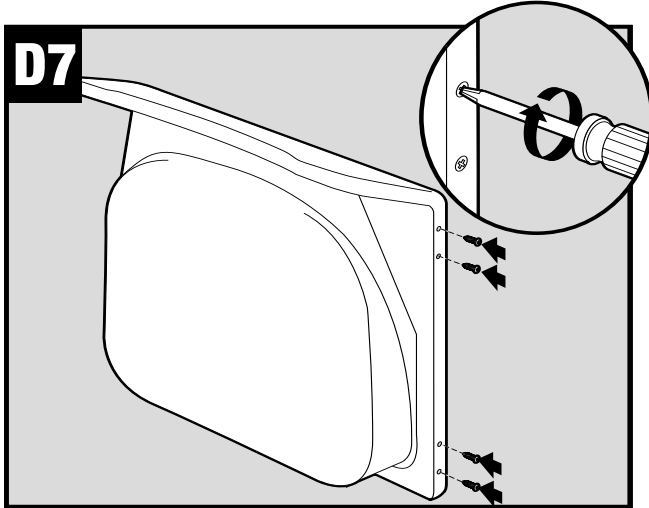
Mount hinge covers. Position as shown./Montez les couvre-charnières. Placez-les comme illustré./Instale las cubiertas de las bisagras. Colóquelas como se muestra.



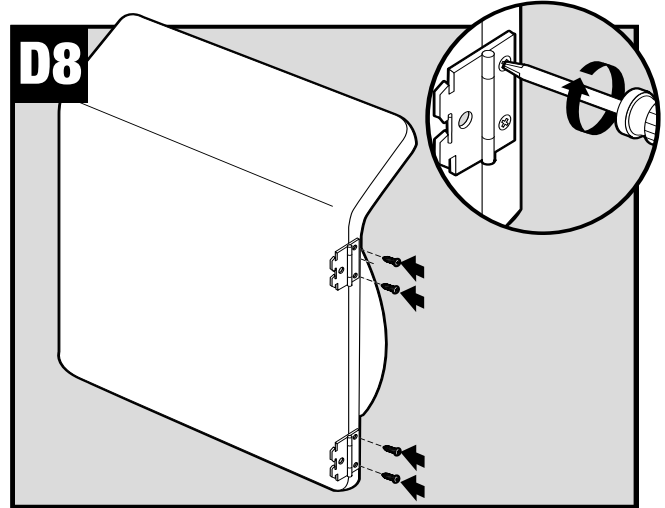
Remove hinges from door./Enlevez les charnières de la porte./Retire las bisagras de la puerta.



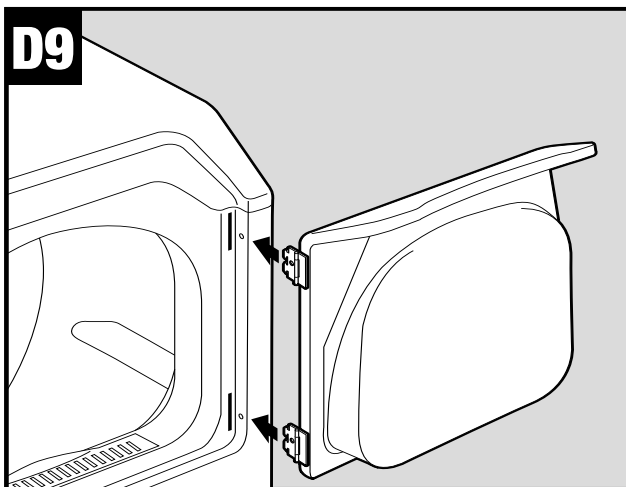
Remove the four color-matching screws from the opposite edge of the door./Retirez les quatre vis de couleur coordonnée du côté opposé de la porte./Retire los cuatro tornillos de colores del borde opuesto de la puerta.



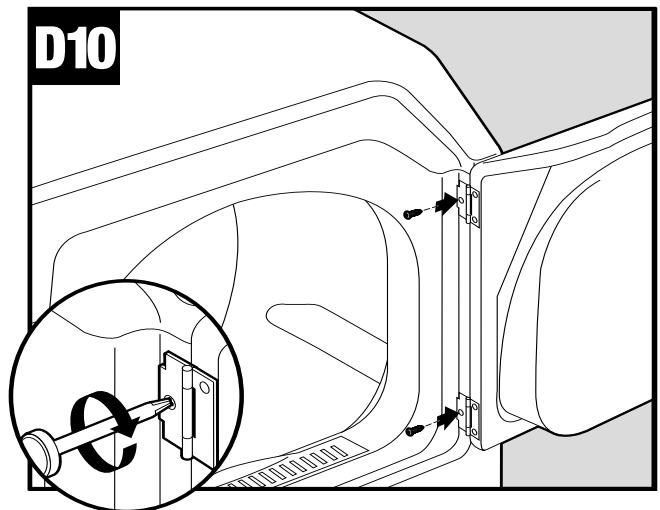
D7
 Insert the four color-matching screws on the opposite side./Insérez les quatre vis de couleur coordonnée sur l'autre côté./Inserte los cuatro tornillos de colores en el lado opuesto.



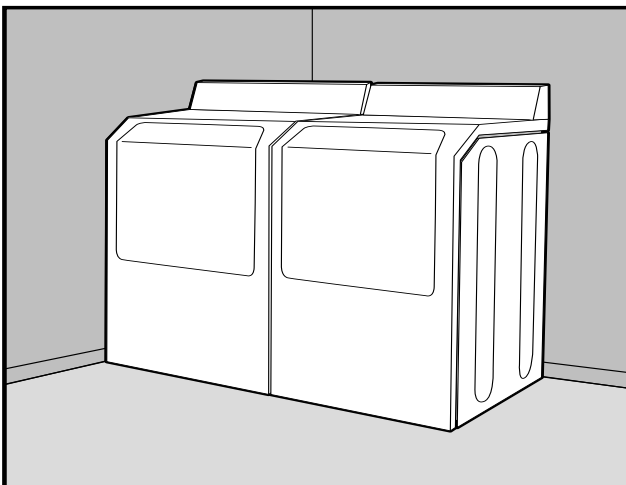
D8
 Replace hinges with careful attention to orientation using the four screws./Utilisez les quatre vis pour remplacer les charnières, en prenant soin de les orienter correctement./Reemplace las bisagras prestando mucha atención a su orientación usando los cuatro tornillos.



D9
 Mount door by inserting hinges into slots, inward then downward./Montez la porte en insérant les charnières dans les fentes, vers l'intérieur, puis vers le bas./Instale la puerta insertando las bisagras en las ranuras hacia adentro y luego hacia abajo.



D10
 Replace center screws into hinges./Remettez les vis centrales des charnières./Vuelva a colocar los tornillos centrales en las bisagras.



Household Installation Accessories/Accessoires d'installation dans une maison/ Accesorios para instalación en el hogar

- Vent hood/Hotte de sortie/Caperuza de salida – 4” (10.16 cm) opening – 059129
- Aluminum pipe/Tuyau en aluminium/Tubería de aluminio – 4” x 24” (10.16 cm x 60.96 cm) – 059130
- Aluminum elbow/Coude en aluminium/Codo de aluminio – 4” (10.16 cm) – 059131
- Aluminum window plate/Plaque de fenêtre en aluminium/Placa de aluminio de la ventana – 15” x 20” (38.10 cm x 50.80 cm) – 4” (10.16 cm) hole – 059134
- Flexible aluminum vent duct – 4” (10.16 cm) diameter – 38” (81.28 cm) length stretches to 8’ (243.84 cm) – 304353/
Tuyau de sortie flexible en aluminium : 4 po (10,16 cm) de diamètre, 38 po (81,28 cm) de longueur s’étirant jusqu’à 8 pi (243,84 cm) – 304353./
Conducto de escape flexible de aluminio - 4” (10,16 cm) de diámetro – 38” (81,28 cm) de largo que se extiende hasta 8’ (243,84 cm) – 304353.
- Clamp for flexible aluminum duct/Collier pour tuyau flexible en aluminium/Abrazadera para conducto flexible de aluminio – 304630
- Rectangular vent kit/Ensemble de sortie rectangulaire/Juego de escape rectangular – 059144
- Dacron lint bag/Sac à fibres en Dacron/Bolsa de ‘Dacron’ para las pelusas – 311353
- Anchor bracket kit/Ensemble de collier de fixation/Juego de soportes de anclaje – 12002643
- Side and bottom vent kit/Nécessaire de ventilation latéral et inférieur/Kit de ventilación de escape lateral e inferior – 12001453
- Natural to LP conversion kit/Nécessaire de conversion du gaz naturel au GPL/Kit de conversión de gas natural a gas LP – 33002923
- LP to Natural conversion kit/Nécessaire de conversion du GPL au gaz naturel/Kit de conversión de gas LP a gas natural – 33002924
- Heating element conversion kit 208V, Not for Canada/Nécessaire de conversion de l’élément chauffant 208V, non disponible au Canada/Kit de conversión del elemento de calefacción , 208 V, no para Canadá – 308590
- Grounding kit/Ensemble de mise à la terre/Juego de puesta a tierra – 12001875
- Power cords/Cordons d’alimentation/Cordones eléctricos – 240V, 30A
 - 4’ (121.9 cm) – 3-wire/3 fils/Cable trifilar – 33001780
 - 5’ (152.4 cm) – 3-wire/3 fils/Cable trifilar – 33001822
 - 6’ (182.9 cm) – 3-wire/3 fils/Cable trifilar – 33001823
 - 10’ (304.8 cm) – 3-wire/3 fils/Cable trifilar – 33001838
 - 4’ (121.9 cm) – 4-wire/4 fils/Cable tetrafililar – 33001781
 - 5’ (152.4 cm) – 4-wire/4 fils/Cable tetrafililar – 33001824
 - 6’ (182.9 cm) – 4-wire/4 fils/Cable tetrafililar – 33001825