

# FREESTANDING GAS RANGE OWNER'S MANUAL CUISINIÈRE À GAZ AUTOPORTANTE MANUEL DU PROPRIÉTAIRE ESTUFAS AUTÓNOMAS A GAS MANUAL DEL PROPIETARIO

## Table of Contents/Table des matières/Índice

<p><b>RANGE SAFETY</b> ..... 2</p> <p>Range Safety ..... 2</p> <p><b>RANGE MAINTENANCE AND CARE</b> ..... 6</p> <p>General Cleaning ..... 6</p> <p>Self-Cleaning Cycle ..... 7</p> <p><b>INSTALLATION INSTRUCTIONS</b> ..... 7</p> <p><b>REQUIREMENTS</b> ..... 7</p> <p>Tools and Parts ..... 7</p> <p>Location Requirements ..... 8</p> <p>Electrical Requirements ..... 9</p> <p>Gas Supply Requirements ..... 9</p> <p><b>INSTALLATION</b> ..... 10</p> <p>Unpack Range ..... 10</p> <p>Install Anti-Tip Bracket ..... 11</p> <p>Make Gas Connection ..... 12</p> <p>Verify Anti-Tip Bracket Is Installed and Engaged ..... 14</p> <p>Level Range ..... 15</p> <p>Electronic Ignition System ..... 15</p> <p>Warming Drawer or Premium Storage Drawer (on some models) ... 17</p> <p>Storage Drawer (on some models) ... 18</p> <p>Oven Door ..... 18</p> <p>Complete Installation ..... 18</p> <p><b>GAS CONVERSIONS</b> ..... 19</p> <p>Propane Gas Conversion ..... 19</p> <p>Natural Gas Conversion ..... 22</p> <p>Moving the Range ..... 25</p>	<p><b>SÉCURITÉ DE LA CUISINIÈRE</b> ..... 26</p> <p>Sécurité de la cuisinière ..... 26</p> <p><b>ENTRETIEN ET RÉPARATION DE LA CUISINIÈRE</b> ..... 30</p> <p>Nettoyage général ..... 30</p> <p>Programme d'autonettoyage ..... 31</p> <p><b>INSTRUCTIONS D'INSTALLATION</b> .... 32</p> <p><b>EXIGENCE</b> ..... 32</p> <p>Outils et pièces ..... 32</p> <p>Exigences d'emplacement ..... 32</p> <p>Spécifications électriques ..... 34</p> <p>Spécifications de l'alimentation en gaz ..... 34</p> <p><b>INSTALLATION</b> ..... 35</p> <p>Déballage de la cuisinière ..... 35</p> <p>Installation de la bride antibasculement ..... 36</p> <p>Raccordement au gaz ..... 37</p> <p>Vérifier que la bride antibasculement est bien installée et engagée ..... 39</p> <p>Réglage de l'aplomb de la cuisinière ..... 40</p> <p>Système d'allumage électronique ..... 40</p> <p>Tiroir-réchaud ou tiroir de remisage de qualité supérieure (sur certains modèles) ..... 42</p> <p>Tiroir de remisage (sur certains modèles) ..... 43</p> <p>Porte du four ..... 43</p> <p>Achever l'installation ..... 44</p> <p><b>CONVERSIONS POUR CHANGEMENT DE GAZ</b> ..... 44</p> <p>Conversion pour l'alimentation au propane ..... 45</p> <p>Conversion pour l'alimentation au gaz naturel ..... 48</p> <p>Déplacement de la cuisinière ..... 52</p>	<p><b>SEGURIDAD DE LA ESTUFA</b> ..... 53</p> <p>Seguridad de la estufa ..... 53</p> <p><b>CUIDADO Y MANTENIMIENTO DE LA ESTUFA</b> ..... 58</p> <p>Limpieza general ..... 58</p> <p>Ciclo de autolimpieza ..... 59</p> <p><b>INSTRUCCIONES DE INSTALACIÓN</b> ..... 60</p> <p><b>REQUISITOS</b> ..... 60</p> <p>Herramientas y piezas ..... 60</p> <p>Requisitos de ubicación ..... 60</p> <p>Requisitos eléctricos ..... 62</p> <p>Requisitos de suministro de gas ..... 62</p> <p><b>INSTALACIÓN</b> ..... 64</p> <p>Desembale la cocina ..... 64</p> <p>Instalación del soporte antivuelco ..... 64</p> <p>Conexión del suministro de gas ..... 65</p> <p>Verifique que el soporte anti-vuelco está instalado y enganchado ..... 67</p> <p>Nivelación de la cocina ..... 68</p> <p>Sistema de encendido electrónico ..... 68</p> <p>Cajón de calentamiento o cajón de almacenamiento premium (en algunos modelos) ..... 70</p> <p>Cajón de almacenamiento (en algunos modelos) ..... 71</p> <p>Puerta del horno ..... 71</p> <p>Completar la instalación ..... 72</p> <p><b>CONVERSIONES DE GAS</b> ..... 72</p> <p>Conversión a gas propano ..... 73</p> <p>Conversión a gas natural ..... 76</p> <p>Cómo mover la estufa ..... 79</p>
---	---	---

**IMPORTANT:**

**Installer:** Leave installation instructions with the homeowner.

**Homeowner:** Keep installation instructions for future reference.

**IMPORTANT :**

**Installateur :** Remettre les instructions d'installation au propriétaire

**Propriétaire :** Conserver les instructions d'installation pour référence ultérieure.

**IMPORTANTE:**

**Instalador:** Déjele las instrucciones de instalación al propietario.

**Propietario:** Guarde las instrucciones de instalación para futuras consultas.

# RANGE SAFETY

**WARNING:** If the information in these instructions is not followed exactly, a fire or explosion may result causing property damage, personal injury or death.

- Do not store gasoline or other flammable vapors and liquids in the vicinity of this or any other appliance.
- **WHAT TO DO IF YOU SMELL GAS**
  - Do not try to light any appliance.
  - Do not touch any electrical switch.
  - Do not use any phone in your building.
  - Immediately call your gas supplier from a neighbor's phone. Follow the gas suppliers instructions.
  - If you cannot reach your gas supplier, call the fire department.
- Installation and service must be performed by a qualified installer, service agency or the gas supplier.

**⚠ WARNING:**

**Never Operate the Top Surface Cooking Section of this Appliance Unattended**

- Failure to follow this warning statement could result in fire, explosion, or burn hazard that could cause property damage, personal injury, or death.
- If a fire should occur, keep away from the appliance and immediately call your fire department.

**DO NOT ATTEMPT TO EXTINGUISH AN OIL/GREASE FIRE WITH WATER.**

The range will not tip during normal use. However, the range can tip if you apply too much force or weight to the open door without the anti-tip bracket fastened down properly.



## **⚠ WARNING**

### Tip Over Hazard

A child or adult can tip the range and be killed.

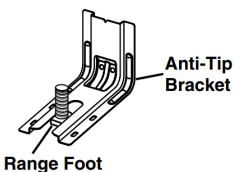
Install anti-tip bracket to floor or wall per installation instructions.

Slide range back so rear range foot is engaged in the slot of the anti-tip bracket.

Re-engage anti-tip bracket if range is moved.

Do not operate range without anti-tip bracket installed and engaged.

Failure to follow these instructions can result in death or serious burns to children and adults.



To verify the anti-tip bracket is properly installed and engaged:

- Slide range forward.
- Look for the anti-tip bracket securely attached to floor or wall.
- Slide range back so rear range foot is under the anti-tip bracket.
- See Installation Instructions for details.

**WARNING:** Gas leaks cannot always be detected by smell.

Gas suppliers recommend that you use a gas detector approved by UL or CSA.

For more information, contact your gas supplier.

If a gas leak is detected, follow the “What to do if you smell gas” instructions.

## Your safety and the safety of others are very important.

We have provided many important safety messages in this manual and on your appliance. Always read and obey all safety messages.



This is the safety alert symbol.

This symbol alerts you to potential hazards that can kill or hurt you and others.

All safety messages will follow the safety alert symbol and either the word “DANGER” or “WARNING.” These words mean:

**▲ DANGER**

**You can be killed or seriously injured if you don't immediately follow instructions.**

**▲ WARNING**

**You can be killed or seriously injured if you don't follow instructions.**

All safety messages will tell you what the potential hazard is, tell you how to reduce the chance of injury, and tell you what can happen if the instructions are not followed.

**IMPORTANT:** Do not install a ventilation system that blows air downward toward this gas cooking appliance. This type of ventilation system may cause ignition and combustion problems with this gas cooking appliance resulting in personal injury or unintended operation.

In the State of Massachusetts, the following installation instructions apply:

- Installation and repairs must be performed by a qualified or licensed contractor, plumber, or gas fitter qualified or licensed by the State of Massachusetts.
- Acceptable Shut-off Devices: Gas Cocks and Ball Valves installed for use shall be listed.
- A flexible gas connector, when used, must not exceed 4 feet (121.9 cm).

# IMPORTANT SAFETY INSTRUCTIONS

**WARNING:** To reduce the risk of fire, electric shock, or injury to persons when using the appliance, follow basic precautions, including the following:

- **WARNING:** TO REDUCE THE RISK OF TIPPING OF THE RANGE, THE RANGE MUST BE SECURED BY PROPERLY INSTALLED ANTI-TIP DEVICES. TO CHECK IF THE DEVICES ARE INSTALLED PROPERLY, SLIDE RANGE FORWARD, LOOK FOR ANTI-TIP BRACKET SECURELY ATTACHED TO FLOOR OR WALL, AND SLIDE RANGE BACK SO REAR RANGE FOOT IS UNDER ANTI-TIP BRACKET.

## WARNING

NEVER use this appliance as a space heater to heat or warm the room. Doing so may result in carbon monoxide poisoning and overheating of the oven.

## WARNING

NEVER cover any slots, holes or passages in the oven bottom or cover an entire rack with materials such as aluminum foil. Doing so blocks air flow through the oven and may cause carbon monoxide poisoning. Aluminum foil linings may also trap heat, causing a fire hazard.

- **CAUTION:** Do not store items of interest to children in cabinets above an appliance or on the backguard of an appliance - children climbing on the appliance to reach items could be seriously injured.
- Do Not Leave Children Alone - Children should not be left alone or unattended in area where appliance is in use. They should never be allowed to sit or stand on any part of the appliance.
- Wear Proper Apparel – Loose-fitting or hanging garments should never be worn while using the appliance.
- User Servicing – Do not repair or replace any part of the appliance unless specifically recommended in the manual. All other servicing should be referred to a qualified technician.
- Storage in or on Appliance – Flammable materials should not be stored in an oven or near surface units.
- This appliance is not intended for storage.
- Do Not Use Water on Grease Fires – Smother fire or flame or use dry chemical or foam-type extinguisher.
- Use Only Dry Potholders – Moist or damp potholders on hot surfaces may result in burns from steam. Do not let potholder touch hot surface units. Do not use a towel or other bulky cloth.
- Never Leave Surface Units Unattended at High Heat Settings – Boilover causes smoking and greasy spillovers that may ignite.
- Glazed Cooking Utensils – Only certain types of glass, glass/ceramic, ceramic, earthenware, or other glazed utensils are suitable for range-top service without breaking due to the sudden change in temperature.
- Utensil Handles Should Be Turned Inward and Not Extend Over Adjacent Surface Units – To reduce the risk of burns, ignition of flammable materials, and spillage due to unintentional contact with the utensil, the handle of a utensil should be positioned so that it is turned inward, and does not extend over adjacent surface units.
- Disconnect power before servicing.
- This appliance is equipped with a three-prong grounding plug for your protection against shock hazard and should be plugged directly into a properly grounded receptacle. Do not cut or remove the grounding prong from this plug.
- Proper Installation - The appliance, when installed, must be electrically grounded in accordance with local codes, or in the absence of local codes, with the *National Electrical Code, ANSI/NFPA 70* or the *Canadian Electrical Code, CSA C22.1-02*. In Canada, the appliance must be electrically grounded in accordance with Canadian Electrical Code. Be sure your appliance is properly installed and grounded by a qualified technician.
- Injuries may result from the misuse of appliance doors or drawers such as stepping, leaning, or sitting on the doors or drawers.
- Maintenance – Keep range area clear and free from combustible materials, gasoline, and other flammable vapors and liquids.
- Top burner flame size should be adjusted so it does not extend beyond the edge of the cooking utensil. This instruction is based on safety considerations.
- Do not use replacement parts that have not been recommended by the manufacturer (e.g. parts made at home using a 3D printer).
- Clean Cooktop With Caution – If a wet sponge or cloth is used to wipe spills on a hot cooking area, be careful to avoid steam burn. Some cleaners can produce noxious fumes if applied to a hot surface.
- Use Care When Opening Door – Let hot air or steam escape before removing or replacing food.
- Do Not Heat Unopened Food Containers – Build-up of pressure may cause container to burst and result in injury.
- Keep Oven Vent Ducts Unobstructed.
- DO NOT TOUCH HEATING ELEMENTS OR INTERIOR SURFACES OF OVEN – Heating elements may be hot even though they are dark in color. Interior surfaces of an oven become hot enough to cause burns. During and after use, do not touch, or let clothing or other flammable materials contact heating elements or interior surfaces of oven until they have had sufficient time to cool. Other surfaces of the appliance may become hot enough to cause burns – among these surfaces are oven vent openings and surfaces near these openings, oven doors, and windows of oven doors.

**SAVE THESE INSTRUCTIONS**

## IMPORTANT SAFETY INSTRUCTIONS

- Care must be taken to prevent aluminum foil and meat probes from contacting heating elements.

### **For self-cleaning ranges –**

- Do Not Clean Door Gasket – The door gasket is essential for a good seal. Care should be taken not to rub, damage, or move the gasket.
- Do Not Use Oven Cleaners – No commercial oven cleaner or oven liner protective coating of any kind should be used in or around any part of the oven.
- Clean Only Parts Listed in Manual.
- Before Self-Cleaning the Oven – Remove broiler pan and other utensils. Wipe off all excessive spillage before initiating the cleaning cycle.

### **For units with ventilating hood –**

- Clean Ventilating Hoods Frequently – Grease should not be allowed to accumulate on hood or filter.
- When flaming foods under the hood, turn the fan on.

### **For smart enabled ranges and ovens**

- Remote operation – This appliance is configurable to allow remote operation at any time. Do not store any flammable materials or temperature sensitive items inside, on top or near surface units of the appliance.

**SAVE THESE INSTRUCTIONS**

# RANGE MAINTENANCE AND CARE

## General Cleaning

**IMPORTANT:** Before cleaning, make sure all controls are OFF and the oven and cooktop are cool. Always follow label instructions on cleaning products.

Soap, water, and a soft cloth or sponge are suggested first, unless otherwise noted.

### EXTERIOR PORCELAIN ENAMEL SURFACES (on some models)

Food spills containing acids, such as vinegar and tomato, should be cleaned as soon as the entire range is cool. These spills may affect the finish.

#### Cleaning Method:

- Glass cleaner, mild liquid cleaner, or nonabrasive scrubbing pad: Gently clean around the model/serial/rating plate because scrubbing may remove numbers.
- Affresh®+ Kitchen and Appliance Cleaner Part Number W10355010 (not included):  
See the Quick Start Guide for ordering information.

### STAINLESS STEEL (on some models)

**NOTE:** To avoid damage to stainless steel surfaces, do not use soap-filled scouring pads, abrasive cleaners, Cooktop Cleaner, steel-wool pads, gritty washcloths, or abrasive paper towels. Damage may occur to stainless steel surfaces, even with one-time or limited use.

#### Cleaning Method:

- Rub in direction of grain to avoid damaging.
- Affresh® Stainless Steel Cleaner Part Number W10355016 (not included):  
See the Quick Start Guide for ordering information.

### METALLIC PAINT (on some models)

Do not use abrasive cleaners, cleaners with bleach, rust removers, ammonia, or sodium hydroxide (lye) because paint surface may stain.

### PORCELAIN-COATED GRATES AND CAPS

Food spills containing acids, such as vinegar and tomato, should be cleaned as soon as the cooktop, grates and caps are cool. These spills may affect the finish.

To avoid chipping, do not bang grates, and caps against each other or hard surfaces such as cast iron cookware.

Do not reassemble caps on burners while wet. Do not clean in the Self-Cleaning cycle.

#### Cleaning Method:

- Nonabrasive plastic scrubbing pad and mildly abrasive cleanser: Clean as soon as cooktop, grates, and caps are cool.
- Dishwasher (grates only, not caps):  
Use the most-aggressive cycle. Cooked-on soils should be soaked or scrubbed before going into a dishwasher.  
Although the burner grates are durable, they may lose their shine and/or discolor when washed in a dishwasher.
- Gas Grate and Drip Pan Cleaner Part Number 31617 (not included):  
See the Quick Start Guide for ordering information.

### SURFACE BURNERS

Food spills containing acids, such as vinegar and tomato, should be cleaned as soon as the cooktop, grates, and caps are cool. These spills may affect the finish.

To avoid chipping, do not bang grates and caps against each other or hard surfaces such as cast iron cookware.

Do not reassemble caps on burners while wet.

Do not clean in the Self-Cleaning cycle.

Do not clean in dishwasher.

#### Cleaning Method:

- Nonabrasive plastic scrubbing pad and mildly abrasive cleanser:  
Clean as soon as cooktop, grates, burners, and caps are cool.
- Gas Grate and Drip Pan Cleaner (not included).

### COOKTOP CONTROLS

To avoid damage to the cooktop controls, do not use steel wool, abrasive cleansers, or oven cleaner.

To avoid damage, do not soak knobs. When replacing knobs, make sure knobs are in the Off position.

On some models, do not remove seals under knobs.

#### Cleaning Method:

- Soap and water: Pull knobs straight away from control panel to remove

### CONTROL PANEL AND OVEN DOOR EXTERIOR

To avoid damage to the control panel, do not use abrasive cleaners, steel-wool pads, gritty washcloths, or abrasive paper towels.

#### Cleaning Method:

- Glass cleaner and soft cloth or sponge: Apply glass cleaner to soft cloth or sponge, not directly on panel.
- Affresh® Kitchen and Appliance Cleaner Part Number W10355010 (not included):  
See the Quick Start Guide for ordering information.

### OVEN RACKS

#### Cleaning Method:

- Steel-wool pad
- For racks that have discolored and are harder to slide, a light coating of vegetable oil applied to the rack guides will help them slide.
- Dishwasher (steam rack water reservoir only, not racks):  
Although the water reservoir is durable, it may lose its shine and/or discolor when washed in a dishwasher.

### STORAGE/WARMING DRAWER (on some models)

Check that storage/warming drawer is cool and empty before cleaning.

#### Cleaning Method:

- Mild detergent

### OVEN CAVITY

Do not use oven cleaners.

Food spills should be cleaned when oven cools. At high temperatures, foods react with porcelain. Staining, etching, pitting, or faint white spots can result.

#### Cleaning Method:

- Self-Cleaning cycle: See the "Self-Cleaning Cycle" or "Clean Cycle" section first.

†®Affresh is a registered trademark of Whirlpool, U.S.A.

## Self-Cleaning Cycle

### **⚠WARNING**



#### **Burn Hazard**

**Do not touch the oven during the Self-Cleaning cycle.**

**Keep children away from the oven during Self-Cleaning cycle.**

**Failure to follow these instructions can result in burns.**

**IMPORTANT:** The health of some birds is extremely sensitive to the fumes given off during the Self-Cleaning cycle. Exposure to the fumes may result in death to certain birds. Always move birds to another closed and well-ventilated room.

Keep the kitchen well-ventilated during the Self-Cleaning cycle to help get rid of heat, odors, and smoke.

Do not block the oven vent(s) during the Self-Cleaning cycle. Air must be able to move freely. Depending on your model, see the "Oven Vent" or "Oven Vents" section in the Quick Start Guide.

Do not clean, rub, damage, or move the oven door gasket.

### **Prepare Range**

- Remove the broiler pan, grid, cookware and bakeware, all cooking utensils, oven racks, and aluminum foil and, on some models, the temperature probe from the oven.
- Use a damp cloth to clean inside door edge and the 1<sup>1</sup>/<sub>2</sub>" (3.8 cm) area around the inside oven cavity frame, being certain not to move or bend the gasket.
- Wipe out any loose soil to reduce smoke and avoid damage. At high temperatures, foods react with porcelain. Staining, etching, pitting, or faint white spots can result. This will not affect cooking performance.
- Remove plastic items from the cooktop because they may melt.
- Remove all items from the storage drawer.

### **How the Cycle Works**

**IMPORTANT:** The heating and cooling of porcelain on steel in the oven may result in discoloring, loss of gloss, hairline cracks and popping sounds.

Before self-cleaning, make sure the door is completely closed or the door will not lock and the Self-Cleaning cycle will not begin.

The Self-Cleaning cycle uses very high temperatures, burning soil to a powdery ash.

Once the oven has completely cooled, remove ash with a damp cloth. To avoid breaking the glass, do not apply a cool, damp cloth to the inner door glass before it has completely cooled.

To stop the Self-Cleaning cycle at any time, press the Cancel keypad. If the temperature is too high, the oven door will remain locked and "cool" and "(lock symbol)" will be displayed. The cooling fan may continue to run.

When "locked" shows in the display, the door of the oven cannot be opened. To avoid damage to the door, do not force the door open when "locked" is displayed.

Once the cleaning temperature has been reached, the electronic control requires a 12 hour delay before another Self-Cleaning cycle can be started.

The oven light will not function during the Self-Cleaning cycle.

### **Electronic Oven Control with Adjustable Clean Time (on some models)**

The Self-Cleaning cycle is time adjustable between 2 hours 30 minutes and 4 hours 30 minutes in 15 or 30 minute increments. Suggested clean times are 2 hours 30 minutes for light soil and 4 hours 30 minutes for heavy soil. The last 30 minutes of the cycle is for cooldown.

#### **To Self-Clean:**

1. Press SELF CLEAN.
2. Press the Temp/Time "+" or "-" keypad to enter the desired Self-Cleaning cycle time.
3. Press START.

The oven door will automatically lock. The DOOR LOCKED and CLEAN indicator lights will be displayed. The time remaining will also be displayed.

4. When the self-clean cycle is complete and the oven cools, the DOOR LOCKED and CLEAN indicator lights will turn off.
5. When the oven is completely cooled, remove ash with a damp cloth.

To exit the Self-Cleaning cycle before completed, press CANCEL. The door will unlock once the oven cools.

## INSTALLATION INSTRUCTIONS REQUIREMENTS

### **Tools and Parts**

Gather the required tools and parts before starting installation. Read and follow the instructions provided with any tools listed here.

#### **Tools Needed**

- Tape measure
- Flat-blade screwdriver
- Phillips screwdriver
- 1/8" flat-blade screwdriver
- Level
- Hand or electric drill
- Hammer
- Wrench or pliers
- Pipe wrench
- 15/16" combination wrench
- 1/4" drive ratchet
- 3/8" nut driver
- 1/8" drill bit (for wood floors)
- Marker or pencil
- Pipe-joint compound resistant to Propane gas
- Noncorrosive leak-detection solution
- 3/16" carbide-tipped masonry drill bit (for concrete/ceramic floors)
- (For Slide-in/Front Control Ranges)

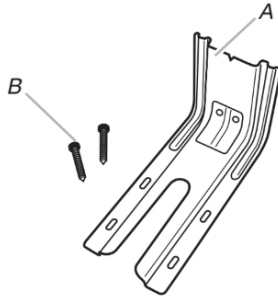
#### **For Propane/Natural Gas Conversions**

- 3/8" combination wrench
- 1/2" combination wrench
- 5/8" combination wrench
- 9/32" nut driver
- Quadrex®† or Phillips screwdriver
- Masking tape
- 3/8" nut driver (For Slide-in/Front Control Ranges)

†®QUADREX is a registered trademark of NLW Holdings, Inc.

## Parts Supplied

Check that all parts are included.



- A. Anti-tip bracket
- B. #12 x 1<sup>5</sup>/<sub>8</sub>" (4.1 cm) screws (2)

Anti-tip bracket must be securely mounted to floor or wall. Thickness of flooring may require longer screws to anchor bracket to floor.

## Parts needed

Check local codes and consult gas supplier. Check existing gas supply and electrical supply. See "Electrical Requirements" and "Gas Supply Requirements" sections.

**NOTE:** Be sure to purchase only whirlpool factory-certified parts and accessories for your appliance. Your installation may require additional parts. To order, refer to the contact information referenced in your Quick Start Guide.

## Location Requirements

**IMPORTANT:** Observe all governing codes and ordinances. Do not obstruct flow of combustion and ventilation air.

- It is the installer's responsibility to comply with installation clearances specified on the model/serial/rating plate. The model/serial/rating plate is located behind the oven door on the top right/left-hand side of the oven frame.
- The range should be located for convenient use in the kitchen.
- Recessed installations must provide complete enclosure of the sides and rear of the range.
- All openings in the wall or floor where range is to be installed must be sealed.
- Cabinet opening dimensions that are shown must be used. Given dimensions are minimum clearances.
- The anti-tip bracket must be installed. To install the anti-tip bracket shipped with the range, see "Install Anti-Tip Bracket" section.
- Grounded electrical supply is required. See "Electrical Requirements" section.
- Proper gas supply connection must be available. See "Gas Supply Requirements" section.
- Contact a qualified floor covering installer to check that the floor covering can withstand at least 200°F (93°C).
- Use an insulated pad or 1/4" (6.4 mm) plywood under range if installing range over carpeting.

**IMPORTANT:** To avoid damage to your cabinets, check with your builder or cabinet supplier to make sure that the materials used will not discolor, delaminate or sustain other damage. This oven has been designed in accordance with the requirements of UL and CSA International and complies with the maximum allowable wood cabinet temperatures of 194°F (90°C).

## Mobile Home - Additional Installation Requirements

The installation of this range must conform to the Manufactured Home Construction and Safety Standard, Title 24 CFR, Part 3280 (formerly the Federal Standard for Mobile Home Construction and Safety, Title 24, HUD Part 280). When such standard is not applicable, use the Standard for Manufactured Home Installations, ANSI A225.1/NFPA 501A or with local codes. In Canada, the installation of this range must conform with the current standards CAN/CSA-Z240.1 - latest edition, or with local codes.

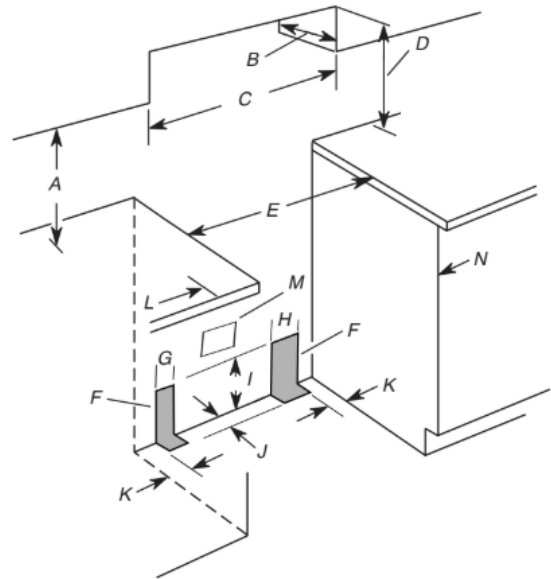
### Mobile Home Installations Require:

- When this range is installed in a mobile home, it must be secured according to the instructions in this document.

## Cabinet Dimensions

Cabinet opening dimensions shown are for 25" (64.0 cm) countertop depth, 24" (61.0 cm) base cabinet depth and 36" (91.4 cm) countertop height.

**IMPORTANT:** If installing a range hood or microwave hood combination above the cooking surface, follow the range hood or microwave hood combination installation instructions for dimensional clearances above the cooktop surface.



- A. 18" (45.7 cm) upper side cabinet to countertop
- B. 13" (33 cm) maximum upper cabinet depth
- C. 30" (76.2 cm) minimum opening width
- D. For minimum clearance to top of cooktop, see NOTE\*.
- E. 30" (76.2 cm) minimum opening width
- F. The shaded areas are recommended for installation of rigid gas pipe.
- G. 4<sup>1</sup>/<sub>2</sub>" (11.4 cm)
- H. 8" (20.3 cm)
- I. 17" (43.2 cm)
- J. 2" (5.1 cm)
- K. 4<sup>1</sup>/<sub>2</sub>" (11.4 cm)
- L. 3" (7.6 cm) min. clearance from both sides of range to side wall or other combustible material.
- M. Grounded outlet
- N. Cabinet door or hinges should not extend into the cutout.

**NOTE:** 24" (61.0 cm) minimum when bottom of wood or metal cabinet is shielded by not less than 1/4" (6.4 mm) flame retardant millboard covered with not less than No. 28 MSG sheet steel, 0.015" (0.4 mm) stainless steel, 0.024" (0.6 mm) aluminum or 0.020" (0.5 mm) copper. 30" (76.2 cm) minimum clearance between the top of the cooking platform and the bottom of an uncovered wood or metal cabinet.



## Electrical Requirements

### **⚠WARNING**



#### Electrical Shock Hazard

- Plug into a grounded 3 prong outlet.
- Do not remove ground prong.
- Do not use an adapter.
- Do not use an extension cord.
- Failure to follow these instructions can result in death, fire, or electrical shock.

**IMPORTANT:** The range must be electrically grounded in accordance with local codes and ordinances, or in the absence of local codes, with the National Electrical Code, ANSI/NFPA 70 or Canadian Electrical Code, CSA C22.1.

This range is equipped with an electronic ignition system that will not operate if plugged into an outlet that is not properly polarized.

If codes permit and a separate ground wire is used, it is recommended that a qualified electrical installer determine that the ground path is adequate.

A copy of the above code standards can be obtained from:

National Fire Protection Association  
1 Batterymarch Park  
Quincy, MA 02169-7471

CSA International  
8501 East Pleasant Valley Road  
Cleveland, OH 44131-5575

- A 120 V, 60 Hz, AC only, 15 A fused, ground and polarized electrical circuit is required. A time-delay fuse or circuit breaker is also recommended. It is recommended that a separate circuit serving only this range be provided.
- Electronic ignition systems operate within wide voltage limits, but proper grounding and polarity are necessary. Check that the outlet provides 120 V power and is correctly grounded.
- This gas range is not required to be plugged into a GFCI (Ground-Fault Circuit Interrupter) outlet. It is recommended that you not plug an electric spark ignition gas range or any other major appliance into a GFCI wall outlet as it may cause the GFCI to trip during normal cycling.
- Performance of this range will not be affected if operated on a GFCI-protected circuit. However, occasional nuisance tripping of the GFCI breaker is possible due to the normal operating nature of electronic gas ranges.
- The tech sheet and wiring diagram are located on the back of the range in a plastic bag.

**NOTE:** The metal chassis of the range must be grounded in order for the control panel to work. If the metal chassis of the range is not grounded, no keypads will operate. Check with a qualified electrician if you are in doubt as to whether the metal chassis of the range is grounded.

## Gas Supply Requirements

### **⚠WARNING**



#### Explosion Hazard

- Use a new CSA International approved gas supply line.
- Install a shut-off valve.
- Securely tighten all gas connections.
- If connected to propane, have a qualified person make sure gas pressure does not exceed 14" (36 cm) water column.
- Examples of a qualified person include: licensed heating personnel, authorized gas company personnel, and authorized service personnel.
- Failure to do so can result in death, explosion, or fire.

Observe all governing codes and ordinances.

**IMPORTANT:** This installation must conform with all local codes and ordinances. In the absence of local codes, installation must conform with the National Fuel Gas Code ANSI Z223.1/NFPA 54 or, in Canada, the Natural Gas and Propane Installation Code, CSA B149.1 - latest edition.

**IMPORTANT:** Leak testing of the range must be conducted according to the manufacturer's instructions. Refer to the "Complete Connection" in the "Make gas connection" section for the leak testing instructions.

### Type of Gas

#### Natural Gas:

- This range is factory set for use with Natural gas. See "Gas Conversions" section. The model/serial rating plate located on the oven frame behind of the oven door has information on the types of gas that can be used. If the types of gas listed do not include the type of gas available, check with the local gas supplier.

#### Propane Gas Conversion:

Conversion must be done by a qualified service technician.

No attempt shall be made to convert the appliance from the gas specified on the model/serial rating plate for use with a different gas without consulting the serving gas supplier. See "Gas Conversions" section.

### Gas Supply Line

- Provide a gas supply line of 3/4" (1.9 cm) rigid pipe to the range location. A smaller size pipe on longer runs may result in insufficient gas supply. With Propane gas, piping or tubing size can be 1/2" (1.3 cm) minimum. Usually, Propane gas suppliers determine the size and materials used in the system.
- **NOTE:** Pipe-joint compounds that resist the action of Propane gas must be used. Do not use TEFLON<sup>®</sup>+ tape.

†<sup>®</sup>TEFLON is a registered trademark of Chemours.

### Flexible Metal Appliance Connector:

- If local codes permit, a new CSA design-certified, 4 to 5 ft (122 to 152.4 cm) long, 1/2" (13 mm) or 3/4" (19 mm) I.D., flexible metal appliance connector may be used for connecting range to the gas supply line.



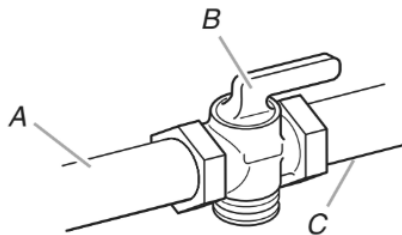
- A 1/2" (13 mm) male pipe thread is needed for connection to the female pipe threads of the inlet to the appliance pressure regulator.
- Do not kink or damage the flexible metal tubing when moving the range.

### Rigid pipe connection:

The rigid pipe connection requires a combination of pipe fittings to obtain an in-line connection to the range. The rigid pipe must be level with the range connection. All strains must be removed from the supply and fuel lines so range will be level and in line.



- Must include a shut-off valve:  
Install a manual gas line shut-off valve in an easily accessible location. Do not block access to shut-off valve. The valve is for turning on or shutting off gas to the cooktop.



- A. Gas supply line
- B. Shut-off valve "open" position
- C. To range

### Gas Pressure Regulator

The gas pressure regulator supplied with this range must be used. The inlet pressure to the regulator should be as follows for proper operation:

#### Natural Gas:

Minimum pressure: 5" (12.7 cm) WCP

Maximum pressure: 14" (35.5 cm) WCP

#### Propane Gas:

Minimum pressure: 11" (27.9 cm) WCP

Maximum pressure: 14" (35.5 cm) WCP

Contact local gas supplier if you are not sure about the inlet pressure.

### Burner Input Requirements

Input ratings shown on the model/serial/rating plate are for elevations up to 2,000 ft (609.6 m).

For elevations above 2,000 ft (609.6 m), ratings are reduced at a rate of 4% for each 1,000 ft (304.8 m) above sea level (not applicable for Canada).

### Gas Supply Pressure Testing

Gas supply pressure for testing regulator must be at least 1" (2.5 cm) water column pressure above the manifold pressure shown on the model/serial rating plate.

#### Line pressure testing above 1/2 psi (3.5 kPa) gauge 14" (35.5 cm) WCP

The range and its individual shutoff valve must be disconnected from the gas supply piping system during any pressure testing of that system at test pressures in excess of 1/2 psi (3.5 kPa).

#### Line pressure testing at 1/2 psi (3.5 kPa) gauge 14" (35.5 cm) WCP or lower

The range must be isolated from the gas supply piping system by closing its individual manual shutoff valve during any pressure testing of the gas supply piping system at test pressures equal to or less than 1/2 psi (3.5 kPa).

## INSTALLATION

### Unpack Range

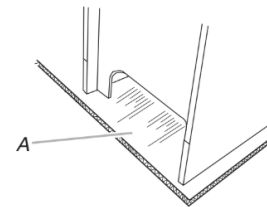
## ⚠ WARNING

### Excessive Weight Hazard

Use two or more people to move and install or uninstall appliance.

Failure to do so can result in back or other injury.

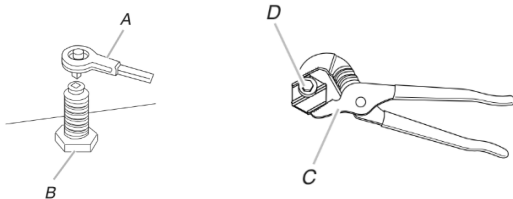
1. Remove shipping materials, tape and film from range.
2. Remove oven racks and parts package from inside oven.
3. Do not remove the shipping base at this time.



A. Shipping base

#### 4. On Ranges Equipped with a Storage Drawer:

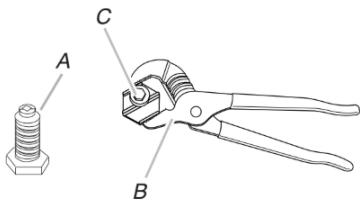
Remove the storage drawer. See the "Storage Drawer" section. Use a 1/4" (6.4 mm) drive ratchet to lower the rear leveling legs one-half turn. Use a wrench or pliers to lower front leveling legs one-half turn.



- A. 1/4" (6.4 mm) drive ratchet
- B. Rear leveling leg
- C. Wrench or pliers
- D. Front leveling leg

#### On Ranges Equipped with a Warming Drawer or Premium Storage Drawer:

On ranges equipped with a warming drawer or premium storage drawer, the rear legs cannot be accessed by removing the warming drawer or premium storage drawer. It will be necessary to adjust the rear legs from outside the range. Use wrench or pliers to lower the front and rear leveling legs one-half turn.



- A. Rear leveling leg
- B. Wrench or pliers
- C. Front leveling leg

## Install Anti-Tip Bracket

### ⚠ WARNING



#### Tip Over Hazard

**A child or adult can tip the range and be killed.**

**Install anti-tip bracket to floor or wall per installation instructions.**

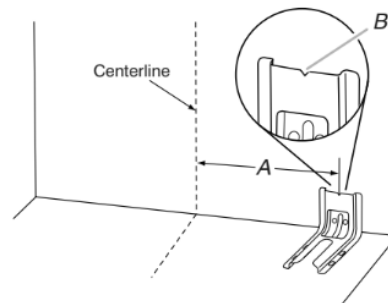
**Slide range back so rear range foot is engaged in the slot of the anti-tip bracket.**

**Re-engage anti-tip bracket if range is moved.**

**Do not operate range without anti-tip bracket installed and engaged.**

**Failure to follow these instructions can result in death or serious burns to children and adults.**

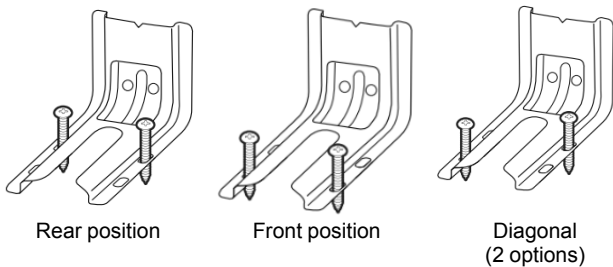
1. Remove the anti-tip bracket from where it is taped inside the storage drawer, warming drawer, or premium storage drawer
2. Determine which mounting method to use: floor or wall. If you have a stone or masonry floor, you can use the wall mounting method. If you are installing the range in a mobile home, you must secure the range to the floor.
3. Determine and mark centerline of the cutout space. The mounting can be installed on either the left side or right side of the cutout. Position mounting bracket against the wall in the cutout so that the V-notch of the bracket is 12<sup>9</sup>/<sub>16</sub>" (31.9 cm) from centerline as shown.



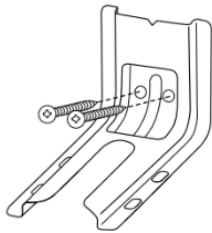
- A. 12<sup>9</sup>/<sub>16</sub>" (31.9 cm)
- B. Bracket V-notch

- Drill two 1/8" (3 mm) holes that correspond to the bracket holes of the determined mounting method. See the following illustrations.

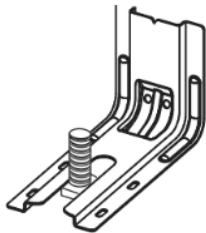
#### Floor Mounting



#### Wall Mounting



- Using the Phillips screwdriver, mount anti-tip bracket to the wall or floor with the two #12 x 1<sup>5</sup>/<sub>8</sub>" (4.1 cm) screws provided, mount anti-tip bracket to the wall or floor.
- Move range close enough to opening to allow for final gas and electrical connections. Remove shipping base, cardboard or hardboard from under range.
- Move range into its final location, making sure rear leveling leg slides into anti-tip bracket.



- Move range forward onto shipping base, cardboard or hardboard to continue installing the range using the following installation instructions.

## Make Gas Connection

### ⚠ WARNING



#### Explosion Hazard

Use a new CSA International approved gas supply line.

Install a shut-off valve.

Securely tighten all gas connections.

If connected to propane, have a qualified person make sure gas pressure does not exceed 14" (36 cm) water column.

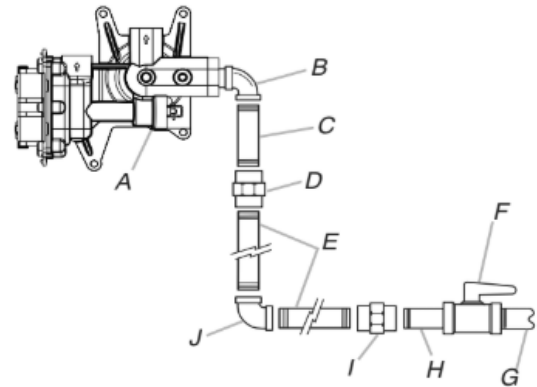
Examples of a qualified person include: licensed heating personnel, authorized gas company personnel, and authorized service personnel.

Failure to do so can result in death, explosion, or fire.

#### Typical rigid pipe connection

A combination of pipe fittings must be used to connect the range to the existing gas line. Your connections may be different, according to the supply line type, size and location.

- Apply pipe-joint compound made for use with Propane gas to all pipe thread connections.
- Using a pipe wrench to tighten, connect the gas supply to the range.

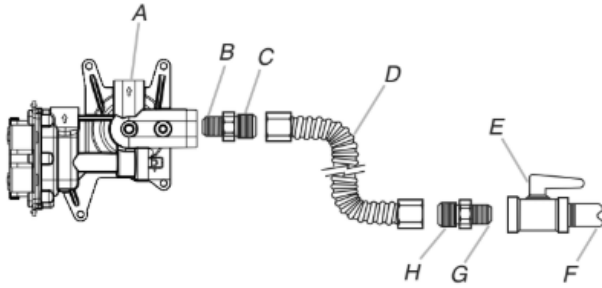


- |   |  |
|---|--|
| A. Gas pressure regulator                               | F. Manual gas shutoff valve                |
| B. 90° elbow (must have 1/3" [1.2 cm] male pipe thread) | G. 1/2" (1.3 cm) or 3/4" (1.9 cm) gas pipe |
| C. Nipple   | H. Nipple                                  |
| D. Union  | I. Union                                   |
| E. Black iron pipe                                      | J. 90° elbow                               |

#### Typical flexible connection

- Apply pipe-joint compound made for use with propane gas to the smaller thread ends of the flexible connector adapters (see B and G in the following illustration).
- Attach one adapter to the gas pressure regulator and the other adapter to the gas shut-off valve. Tighten both adapters.

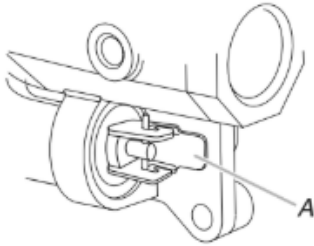
- Use a 15/16" (23.8 mm) combination wrench and channel lock pliers to attach the flexible connector to the adapters. Check that connector is not kinked.



- |  |  |
|--|--|
| A. Gas pressure regulator                              | E. Manual gas shutoff valve                  |
| B. Use pipe-joint compound.                            | F. 1/2" (12.7 mm) or 3/4" (19.1 mm) gas pipe |
| C. Adapter (must have 1/3" [12.7 mm] male pipe thread) | G. Use pipe-joint compound.                  |
| D. Flexible connector                                  | H. Adapter                                   |

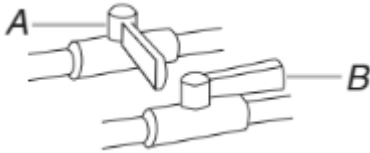
### Complete Connection

- Check that the gas pressure regulator shutoff valve is in the "on" position.



A. Gas pressure regulator shut-off valve shown in the "on" position

- Open the manual shutoff valve in the gas supply line. The valve is open when the handle is parallel to the gas pipe.

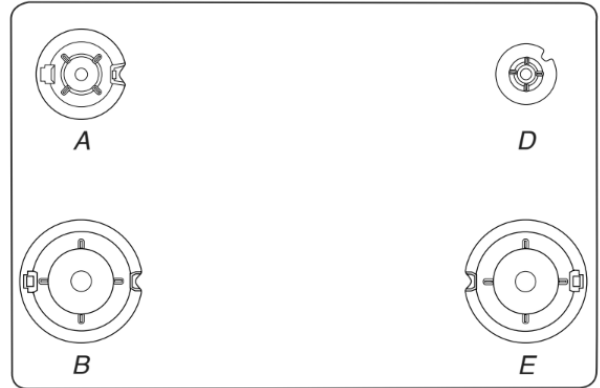


A. Closed valve  
B. Open valve

- Test all connections by brushing on an approved noncorrosive leak-detection solution. If bubbles appear, a leak is indicated. Correct any leak found.

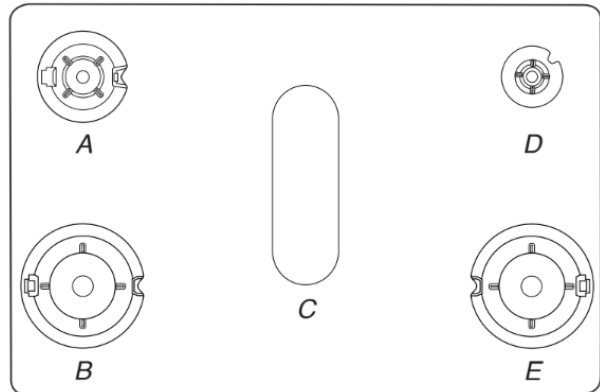
- Remove cooktop burner caps and bases from package containing parts. Place the burner bases as indicated by the following illustration for your model:

#### For 4-Burner Models:



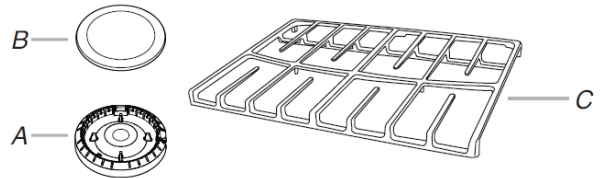
- |                        |                        |
|------------------------|------------------------|
| A. Medium (Semi Rapid) | D. Small (Auxiliary)   |
| B. Large (Ultra Rapid) | E. Large (Ultra Rapid) |

#### For 5-Burner Models:



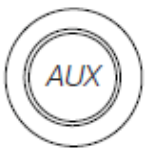
- |                        |                        |
|------------------------|------------------------|
| A. Medium (Semi Rapid) | D. Small (Auxiliary)   |
| B. Large (Ultra Rapid) | E. Large (Ultra Rapid) |
| C. Oval                |                        |

- Burner caps should be level when properly positioned. If burner caps are not properly positioned, surface burners will not light. Place burner grates over burners and caps.



- |                 |
|-----------------|
| A. Burner base  |
| B. Burner cap   |
| C. Burner grate |

6. Place the burner caps on the appropriate burner bases.
- IMPORTANT:** The bottom of the small and medium caps are different. Do not put the wrong size burner cap on the burner base. Each round burner cap is marked with an AUX, SR, UR, or ST to match with a letter on the burner base.



Small cap  
(Auxiliary)



Medium cap (Semi  
Rapid)



Large cap (Ultra  
Rapid)

⚠ WARNING

Electrical Shock Hazard

**Plug into a grounded 3 prong outlet.**

**Do not remove ground prong.**

**Do not use an adapter.**

**Do not use an extension cord.**

**Failure to follow these instructions can result in death, fire, or electrical shock.**

7. Plug into a grounded 3-prong outlet.
8. Slide range into final location, making sure the rear leveling leg slides into the slot of the anti-tip bracket.

## Verify Anti-Tip Bracket Is Installed and Engaged

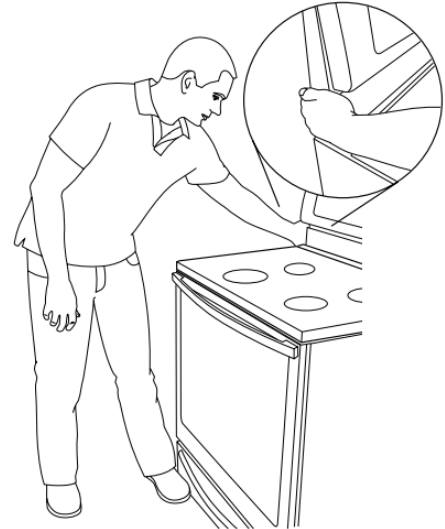
### On Ranges Equipped with a Storage Drawer:

1. Remove the storage drawer. See the "Storage Drawer" section.
2. Use a flashlight to look underneath the bottom of the range.
3. Visually check that the rear range foot is inserted into the slot of the anti-tip bracket.

### On Ranges Equipped with a Warming Drawer or Premium Storage Drawer:

1. Place the outside of your foot against the bottom front of the warming drawer or premium storage drawer, and grasp the lower right or left side of the control panel as shown.
 

**NOTE:** If your countertop is mounted with a backsplash, it may be necessary to grasp the range higher than is shown in the illustration.



2. Slowly attempt to tilt the range forward. If you encounter immediate resistance, the range foot is engaged in the anti-tip bracket.
3. If the rear of the range lifts more than 1/2" (1.3 cm) off the floor without resistance, stop tilting the range and lower it gently back to the floor. The range foot is not engaged in the anti-tip bracket.

**IMPORTANT:** If there is a snapping or popping sound when lifting the range, the range may not be fully engaged in the bracket. Check to see if there are obstructions keeping the range from sliding to the wall or keeping the range foot from sliding into the bracket. Verify that the bracket is held securely in place by the mounting screws.

4. Slide the range forward, and verify that the anti-tip bracket is securely attached to the floor or wall.
5. Slide range back so the rear range foot is inserted into the slot of the anti-tip bracket.

**IMPORTANT:** If the back of the range is more than 2" (5.1 cm) from the mounting wall, the rear range foot may not engage the bracket. Slide the range forward and determine if there is an obstruction between the range and the mounting wall. Changes to the gas supply must be performed by a qualified service technician. If you need assistance or service, refer to the Quick Start Guide for contact information.

6. Repeat steps 1 and 2 to ensure that the range foot is engaged in the anti-tip bracket.

If the rear of the range lifts more than 1/2" (1.3 cm) off the floor without resistance, the anti-tip bracket may not be installed correctly. Do not operate the range without anti-tip bracket installed and engaged. If you need assistance or service, refer to the Quick Start Guide for contact information.

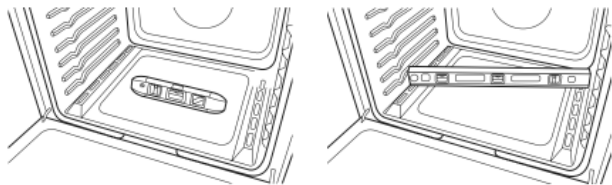


## Level Range

Determine if you have AquaLift® Technology or Steam Clean by referring to the “Range Maintenance and Care” section.

### For Ranges with AquaLift® Technology or Steam Clean:

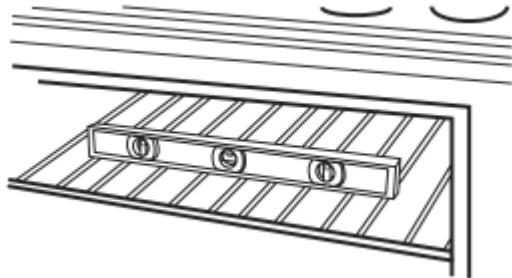
1. Place level on the oven bottom as indicated in one of the two figures below depending on the size of the level. Check with the level side to side and front to back.



2. If range is not level, pull range forward until rear leveling leg is removed from the anti-tip bracket.
3. Follow the directions in Style 1 or Style 2, depending on the style of drawer supplied with the range.

### For Ranges without AquaLift® Technology or Steam Clean:

1. Place a standard flat rack in oven.
2. Place level on the rack and check levelness of the range, first side to side; then front to back.



3. If range is not level, pull range forward until rear leveling leg is removed from the anti-tip bracket.
4. Follow the directions in Style 1 or Style 2, depending on the style of drawer supplied with the range.

### Style 1: Ranges Equipped with a Storage Drawer:

Use a 1/4" (6.4 mm) drive ratchet, wrench or pliers to adjust leveling legs up or down until the range is level. Push range back into position. Check that rear leveling leg is engaged in the anti-tip bracket.

### Style 2: Ranges Equipped with a Warming Drawer or Premium Storage Drawer:

Use a wrench or pliers to adjust leveling legs up or down until the range is level. Push range back into position. Check that rear leveling leg is engaged in the anti-tip bracket.

**NOTE:** Range must be level for satisfactory baking performance and best cleaning results using AquaLift® Technology and Steam Clean functions.

## Electronic Ignition System

### Initial Lighting and Gas Flame Adjustments

Cooktop and oven burners use electronic igniters in place of standing pilots. When the cooktop control knob is turned to the “LITE” position, the system creates a spark to light the burner. This sparking continues, as long as the control knob is turned to “LITE.”

When the oven control is turned to the desired setting, sparking occurs and ignites the gas.

### Check Operation of Cooktop Burners

#### Standard Surface Burners

Push in and turn each control knob to the “LITE” position.

The flame should light within 4 seconds. The first time a burner is lit, it may take longer than 4 seconds to light because of air in the gas line.

#### If Burners Do Not Light Properly:

- Turn cooktop control knob to the “OFF” position.
- Check that the range is plugged in. Check that the circuit breaker has not tripped or the household fuse has not blown.
- Check that the gas shutoff valves are set to the “open” position.
- Check that burner caps are properly positioned on burner bases.

Repeat start-up. If a burner does not light at this point, turn the control knobs to the “OFF” position and contact your dealer or authorized service company for assistance.

### Power Failure

In case of prolonged power failure, the surface burners can be lit manually. Hold a lit match near a burner, and turn knob counterclockwise to LITE. After the burner lights, turn knob to desired setting.

### Adjust Flame Height

Adjust the height of top burner flames. The cooktop “low” burner flame should be a steady blue flame approximately 1/4" (6.4 mm) high.

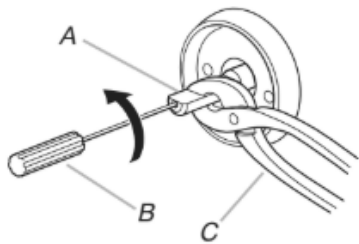


A. Low flame  
B. High flame

### To adjust standard burner:

The flame can be adjusted using the adjustment screw in the center of the valve stem. The valve stem is located directly underneath the control knob.

**If the “low” flame needs to be adjusted:**

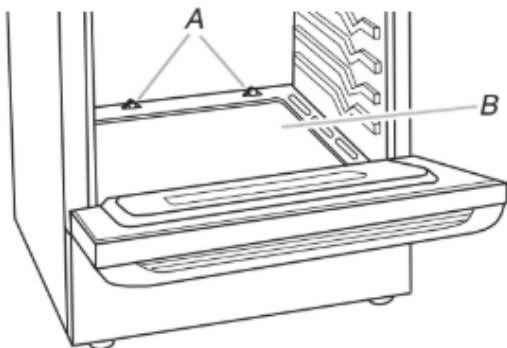


- A. Control knob stem
- B. Screwdriver
- C. Pliers

1. Light 1 burner and turn to lowest setting.
2. Remove the control knob.  
Hold the knob stem with a pair of pliers. Use a small flat blade screwdriver to turn the screw located in the center of the control knob stem until the flame is the proper size.
3. Replace the control knob.
4. Test the flame by turning the control from “LO” to “HI,” checking the flame at each setting.
5. Repeat the previous steps for each burner.

**Check Operation of Oven Bake Burner**

1. Remove the oven rack.
2. To remove the oven bottom: Remove 2 screws at the rear of the oven bottom. Lift the rear of the oven bottom up and back until the front of the panel is away from the front frame. Remove from oven and place on a covered surface.



- A. Screws
- B. Oven bottom

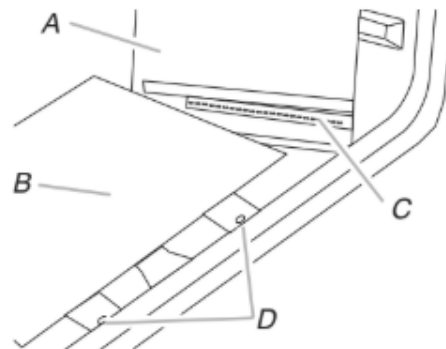
3. You can check the burner flame by removing the flame spreader or by using a mirror.

**Remove flame spreader:**

Remove 2 screws from the front tabs of the flame spreader. Lift front of the flame spreader and pull forward to remove tabs from rear of oven.

**Using a mirror:**

Insert a mirror to one side of the burner. Look into the mirror to check flame.



- A. Mirror
- B. Flame spreader
- C. Flame reflection
- D. 2 screws

4. Push the BAKE pad.
5. Press the START pad.

The oven bake burner should light within 8 seconds. Under certain conditions, it may take the burner up to 50 to 60 seconds to light.

Electronic igniters are used to light the bake and broil burners.

Refer to the Quick Start Guide and online Control Guide for proper operation of the oven controls.

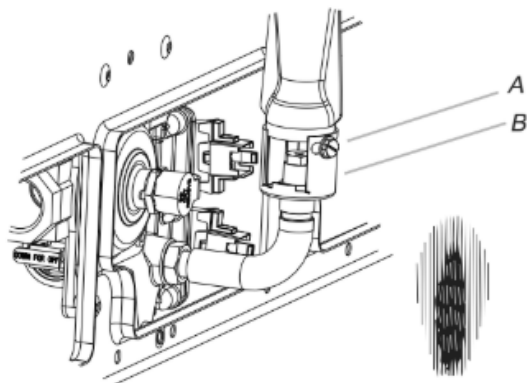
**Adjust Oven Bake Burner Flame (if needed)**

1. On models with a warming drawer, remove access cover plate (1 screw) located at the back of the warming drawer compartment.
2. Check the oven bake burner for proper flame.

This flame should have a 1/2" (1.3 cm) long inner cone of bluish-green, with an outer mantle of dark blue, and should be clean and soft in character. No yellow tips, blowing or lifting of flame should occur.



- If the oven bake flame needs to be adjusted, locate the air shutter near the center rear of the range. Loosen the locking screw and rotate the air shutter until the proper flame appears. Tighten locking screw.



A. Locking screw  
B. Air shutter

- Push CANCEL/OFF when finished.
- Reinstall flame spreader and oven bake burner cover.

### Check Operation of Oven Broil Burner

- Close the oven door.
- Press the BROIL pad.
- Press the START pad.

The oven burner should light within 8 seconds. Under certain conditions, it may take the burner up to 50 to 60 seconds to light.

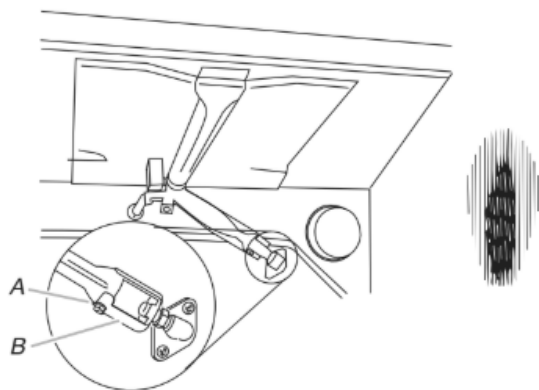
Refer to the Quick Start Guide and online Control Guide for proper operation of the oven controls.

### Adjust Oven Broil Burner Flame (if needed)

Look through oven window to check broil burner for proper flame. This flame should have a 1/2" (1.3 cm) long inner cone of bluish-green, with an outer mantle of dark blue, and should be clean and soft in character. No yellow tips, blowing or lifting of flame should be present.

#### If flame needs to be adjusted:

- Loosen the lock screw on the air shutter located at the rear of the broil burner.
- Adjust the air shutter as needed.
- Tighten lock screw.



A. Lock screw  
B. Air shutter

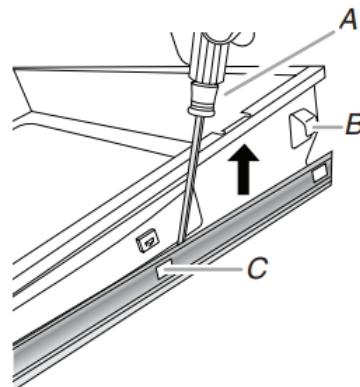
- Press CANCEL/OFF when finished.

## Warming Drawer or Premium Storage Drawer (on some models)

Remove all items from inside the baking drawer, warming drawer or premium storage drawer, and then allow the range to cool completely before attempting to remove the drawer.

#### To Remove:

- Open the drawer to its fully open position.
- Using a flat-blade screwdriver, gently loosen the drawer from the glide alignment notch, and then lift up the drawer alignment tab from the glide.

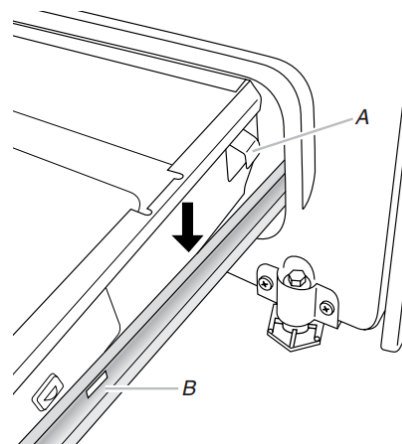


A. Flat-blade screwdriver  
B. Drawer alignment tab  
C. Drawer glide notch

- Repeat Step 2 on the other side. The drawer is no longer attached to the drawer glides. Using both hands, pick up the drawer to complete the removal.

#### To Replace:

- Align the forward drawer notches with the notches in the drawer glides on both sides. Place the rear alignment tabs into the drawer glides on both sides.



A. Drawer alignment tab  
B. Drawer glide notch

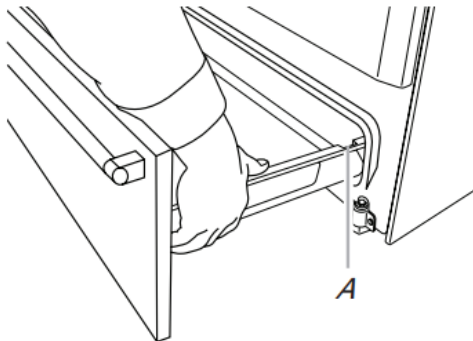
- Push the warming drawer or premium storage drawer in all the way.
- Gently open and close the warming drawer or premium storage drawer to ensure it is seated properly on the glides on both sides.

## Storage Drawer (on some models)

The storage drawer can be removed. Before removing, make sure drawer is cool and empty.

### To Remove:

1. Pull the storage drawer straight back to the drawer stop.

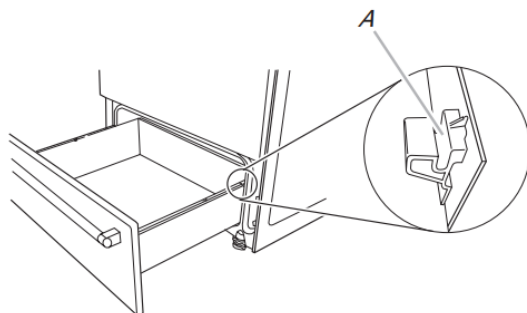


A. Drawer stop notch

2. Lift up the front of the drawer and pull the drawer out.

### To Replace:

1. Lift up the front of the drawer and place the rear of the drawer inside the range so that the drawer stop notch is behind the drawer glide.
2. Lower the drawer so that the edge of the slide rail drops into the slot in the drawer glide.
3. Slowly push the drawer into the range.



A. Engage drawer glide

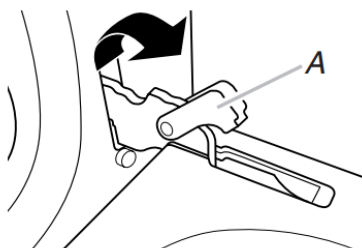
**NOTE:** When properly installed, the rear slides on the bottom of the drawer will engage the base rails and the drawer will not tip when items are placed in the drawer.

## Oven Door

For normal range use, it is not suggested to remove the oven door. However, if removal is necessary, make sure the oven is OFF and cool. Then, follow these instructions. The oven door is heavy.

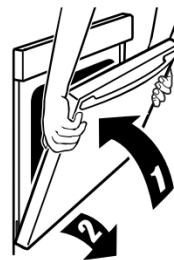
### To Remove:

1. Open oven door all the way.
2. Pinch the hinge latch between two fingers and pull forward. Repeat on other side of oven door.



A. Hinge Latch

3. Close the oven door as far as it will shut.
4. Lift the oven door while holding both sides. Continue to push the oven door closed and pull it away from the oven door frame.



### To Replace:

1. Insert both hanger arms into the door.



2. Open the oven door. You should hear a click as the door is set into place.
3. Move the hinge levers back to the locked position. Check that the door is free to open and close. If it is not, repeat the removal and installation procedures.

## Complete Installation

1. Check that all parts are now installed. If there is an extra part, go back through the steps to see which step was skipped.
2. Check that you have all of your tools.
3. Dispose of/recycle all packaging materials.
4. Check that the range is level. See the "Level Range" section.
5. Use a mild solution of liquid household cleaner and warm water to remove waxy residue caused by shipping material. Dry thoroughly with a soft cloth. For more information, read the "Range Maintenance and Care" section.
6. Read the Quick Start Guide and online Control Guide.
7. Turn on surface burners and oven. See the Quick Start Guide and online Control Guide for specific instruction on range operation.

### If Range Does Not Operate, Check the Following:

- Household fuse is intact and tight; or circuit breaker has not tripped.
  - Range is plugged into a grounded 3-prong outlet.
  - Gas pressure regulator shutoff valve is in the "on" position.
  - Electrical supply is connected.
  - See the online "Troubleshooting" section.
8. When the range has been on for 5 minutes, check for heat. If the range is cold, turn off the range and check that the gas supply line shut-off valve is open.
    - If the gas supply line shut-off valve is closed, open it, and then repeat the 5 minute test as outlined above.
    - If the gas supply line shutoff valve is open, press the CANCEL button on the oven control panel and contact a qualified technician.

### If You Need Assistance or Service:

Please reference the Quick Start Guide for contact information.

## GAS CONVERSIONS

Gas conversions from Natural gas to propane gas or from propane gas to Natural gas must be done by a qualified installer.

### ⚠WARNING



#### Explosion Hazard

Use a new CSA International approved gas supply line.

Install a shut-off valve.

Securely tighten all gas connections.

If connected to propane, have a qualified person make sure gas pressure does not exceed 14" (36 cm) water column.

Examples of a qualified person include: licensed heating personnel, authorized gas company personnel, and authorized service personnel.

Failure to do so can result in death, explosion, or fire.

### ⚠WARNING:

This conversion kit shall be installed by a qualified service agency in accordance with the manufacturer's instructions and all applicable codes and requirements of the authority having jurisdiction. If the information in these instructions is not followed exactly, a fire, explosion or production of carbon monoxide may result causing property damage, personal injury or loss of life.

The qualified service agency is responsible for the proper installation of this kit. The installation is not proper and complete until the operation of the converted appliance is checked as specified in the manufacturer's instructions supplied with the kit.

## Propane Gas Conversion

### ⚠WARNING



#### Tip Over Hazard

A child or adult can tip the range and be killed.

Install anti-tip bracket to floor or wall per installation instructions.

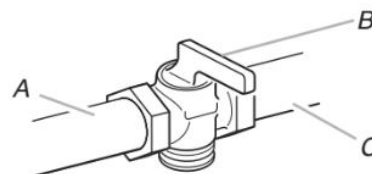
Slide range back so rear range foot is engaged in the slot of the anti-tip bracket.

Re-engage anti-tip bracket if range is moved.

Do not operate range without anti-tip bracket installed and engaged.

Failure to follow these instructions can result in death or serious burns to children and adults.

1. Turn manual shutoff valve to the closed position.



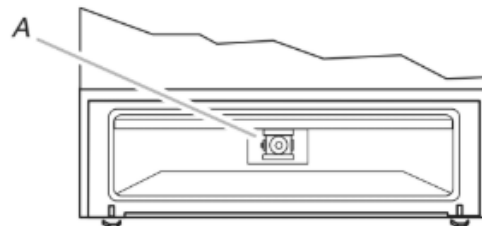
- A. To range
- B. Manual shut-off valve closed position
- C. Gas supply line

2. Unplug range or disconnect power.

### To Convert Gas Pressure Regulator (Natural gas to Propane)

1. Remove the premium storage drawer, warming drawer or baking drawer. See the "Remove/Replace Drawer", "Storage Drawer" or "Warming Drawer or Premium Storage Drawer" section.
2. Locate gas pressure regulator at rear of the drawer compartment.

**NOTE:** On models with a warming drawer or baking drawer, an access cover must be removed to access the gas pressure regulator.



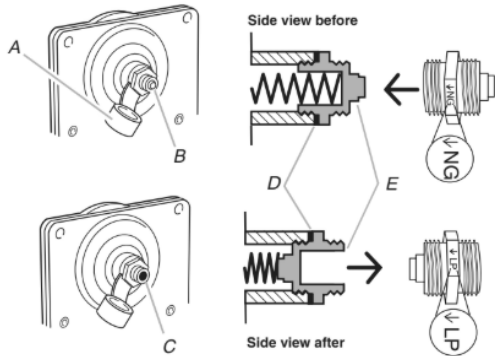
- A. Gas pressure regulator

**IMPORTANT:** Do not remove the gas pressure regulator.

3. Remove plastic cover from gas pressure regulator cap.

- Turn gas pressure regulator cap counterclockwise with a 5/8" (1.6 cm) combination wrench to remove.

**NOTE:** Do not remove the spring beneath the cap.

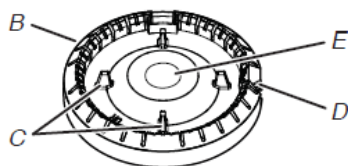
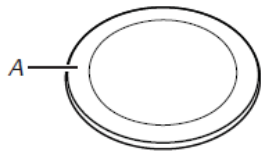


- Plastic cover
- Gas pressure regulator cap with solid end facing out
- Gas pressure regulator cap with hollow end facing out
- Washer
- Gas pressure regulator cap

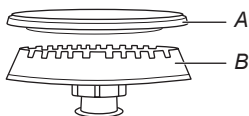
- Turn over the gas pressure regulator cap and reinstall on regulator so that the hollow end faces out and the marking "↓LP" is facing the direction shown in the above drawing.
- Replace plastic cover over gas pressure regulator cap.

### To Convert Surface Burners (Natural Gas to Propane Gas)

- Remove burner cap.
- Remove the burner base.



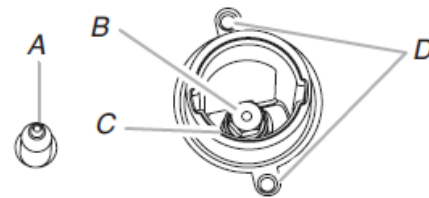
- Burner cap
- Burner base
- Alignment pins
- Igniter electrode
- Gas tube opening



#### Large Burner

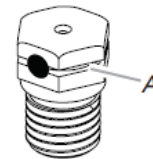
- Burner cap
- Burner base

- Apply masking tape to the end of a 9/32" (7 mm) nut driver to help hold the gas orifice spud in the nut driver while changing it. Press nut driver down onto the gas orifice spud and remove by turning it counterclockwise and lifting out. Set gas orifice spud aside.



- Igniter electrode
- Orifice spud
- Orifice spud holder
- Screws

- Remove the orifice spuds shipped in the literature package in the oven. Gas orifice spuds are stamped with a number and have a groove in the hex area. Replace the Natural gas orifice spud with the correct propane gas orifice spud.



A. Propane groove

Refer to the following chart for correct Propane gas orifice spud placement.

#### Propane Gas Orifice Spud Chart for Surface Burner

Placement	Burner Rating	Size (mm)	ID Number / Type
LF	14,200 BTU	1.08	108AM
LR	8,000 BTU	0.84	084AM
RF	14,200 BTU	1.08	108AM
RR	5,000 BTU	0.64	064AM
CTR	8,000 BTU	0.84	084AM

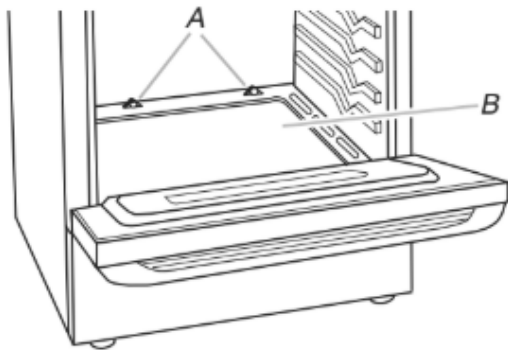
**NOTE:** Refer to the model/serial/rating plate located on the oven frame behind the top left side of the oven door for proper sizing of spuds for each burner location.

- Place Natural gas orifice spuds in the orifice spud bag.  
**IMPORTANT:** Keep the Natural gas orifice spuds in case of reinstallation with Natural gas.
- Replace the burner base.
- Replace burner cap.
- Repeat steps 1-7 for the remaining burners.

### To Convert Oven Bake Burner (Natural Gas to Propane Gas)

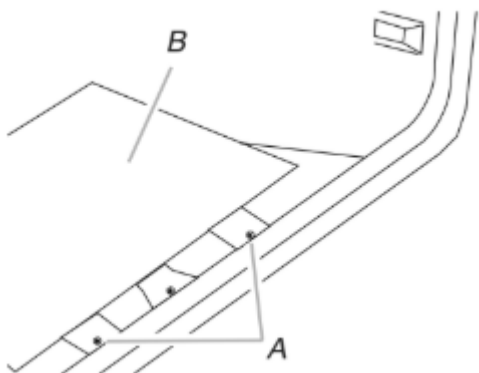
- Remove the oven racks.
- Remove 2 screws at the rear of the oven bottom.

- Lift the rear of the oven bottom up and back until the front of the panel is away from the front frame. Remove from oven and set it aside on a covered surface.



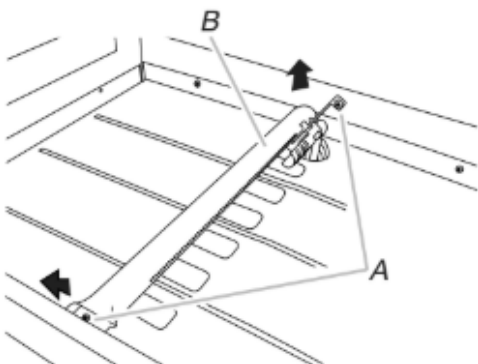
A. Screws  
B. Oven bottom

- Remove 2 screws from the front tabs of the flame spreader. Lift the front of the flame spreader and pull forward to remove tabs from rear of oven and set it aside on a covered surface.



A. Screws  
B. Flame spreader

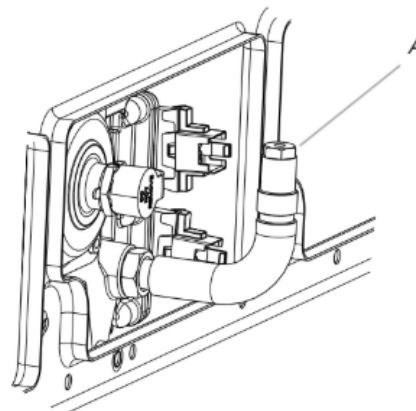
- Remove 2 screws from the bake burner.
- Slide the front of the bake burner to the side to remove tab from front of oven. Lift the back of the bake burner off the oven orifice, and set the bake burner aside.



A. Screws  
B. Bake burner

- Use a 3/8" (1 cm) nut driver or combination wrench and turn the Natural gas bake burner orifice spud counterclockwise to remove. The spud will be stamped with a "49."

- Replace the "49" spud with a "57" spud. Install the Propane gas bake burner orifice spud, turning it clockwise until snug. **IMPORTANT:** Do not overtighten.

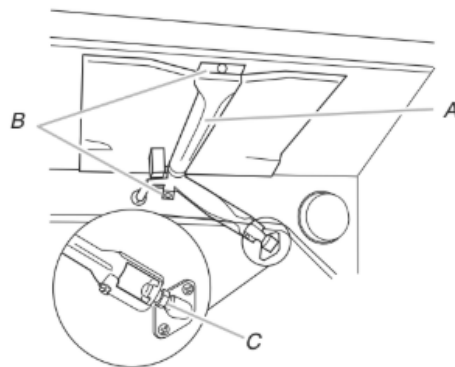


A. Orifice spud

- Position the back of the bake burner over the oven orifice, and slide the tab on front of the bake burner into the front of the oven.
- Reattach the bake burner with 2 screws.
- Insert the tabs on the rear of the flame spreader into the rear of the oven.
- Reattach the front tabs of the flame spreader to the oven with 2 screws.
- Position the front of the oven bottom panel toward the front frame and lower the rear of the oven bottom panel into the oven.
- Reattach the oven bottom panel with 2 screws.

### To Convert Oven Broil Burner (Natural Gas to Propane Gas)

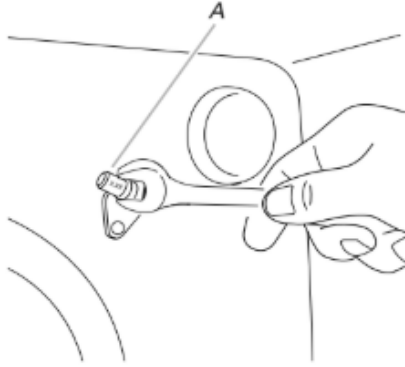
- Remove the screw from the broil burner
- Remove the flame spreader.
- Remove the broil burner from the broil burner orifice hood. **NOTE:** The broil burner will hang in the back of the oven while changing the orifice hood.



A. Broil burner  
B. Screws  
C. Orifice hood

- Use a 3/8" (1 cm) combination wrench and turn the Natural gas broil burner orifice hood counterclockwise to remove. The hood will be stamped with a "53."
- Replace the "53" hood with a "090" hood. Install the Propane gas broiler burner orifice hood, turning it clockwise until snug. **IMPORTANT:** Do not overtighten.

- Place the broil burner on the broil burner orifice hood and insert the broil burner ceramic igniter in the hole in the rear of the oven.



A. Orifice hood

- Position the broil burner against the top of the oven and attach it with 2 screws.
- Replace storage drawer, warming drawer or premium storage drawer. See the "Storage Drawer" or "Warming Drawer or Premium Storage Drawer" section.
- Replace the oven door if it has been removed. See the "Oven Door" section.
- Replace the oven racks.

### Complete Installation (Natural Gas to Propane Gas)

- Refer to the "Make Gas Connection" section for properly connecting the range to the gas supply.
- Refer to the "Electronic Ignition System" section for proper burner ignition, operation and burner flame adjustments.

**IMPORTANT:** You may have to adjust the "LO" setting for each cooktop burner.

Checking for proper cooktop, bake and broil burner flame is very important. The small inner cone should have a very distinct blue flame 1/4" (0.64 cm) to 1/2" (1.3 cm) long. The outer cone is not as distinct as the inner cone. Propane gas flames have a slightly yellow tip.

- Refer to "Complete Installation" in the "Installation Instructions" section of this manual to complete this procedure.

**NOTE:** Make sure to save the orifices that have just been replaced in the conversion.

## Natural Gas Conversion

### ⚠ WARNING



#### Tip Over Hazard

**A child or adult can tip the range and be killed.**

**Install anti-tip bracket to floor or wall per installation instructions.**

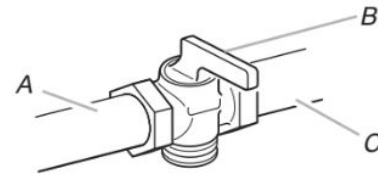
**Slide range back so rear range foot is engaged in the slot of the anti-tip bracket.**

**Re-engage anti-tip bracket if range is moved.**

**Do not operate range without anti-tip bracket installed and engaged.**

**Failure to follow these instructions can result in death or serious burns to children and adults.**

- Turn manual shutoff valve to the closed position.



- A. To range
- B. Manual shut-off valve closed position
- C. Gas supply line

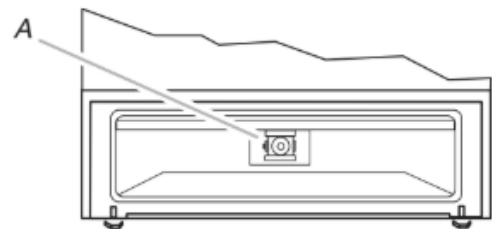
- Unplug range or disconnect power.

### To Convert Gas Pressure Regulator (Propane Gas to Natural Gas)

- Remove the premium storage drawer, warming drawer or baking drawer or premium storage drawer. See the Remove/Replace Drawer, Storage Drawer or Warming Drawer or Premium Storage Drawer section.

- Locate gas pressure regulator at rear of the drawer compartment.

**NOTE:** On models with a warming drawer or baking drawer, an access cover must be removed to access the gas pressure regulator.



A. Gas pressure regulator

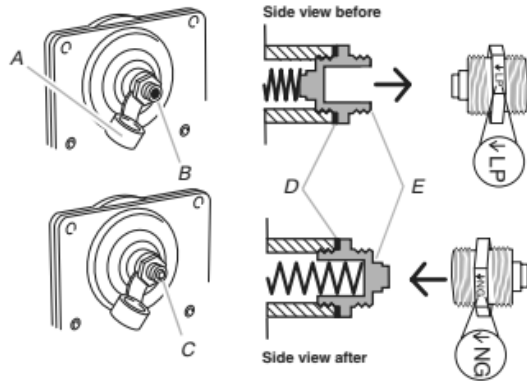
**IMPORTANT:** Do not remove the gas pressure regulator.

- Remove plastic cover from gas pressure regulator cap.



- Turn gas pressure regulator cap counterclockwise with a 5/8" (1.6 cm) combination wrench to remove.

**NOTE:** Do not remove the spring beneath the cap.

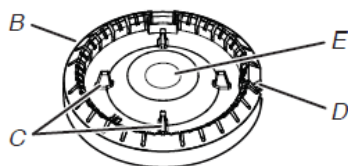
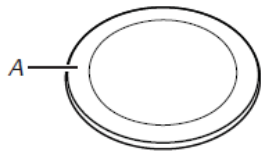


- A. Plastic cover
- B. Gas pressure regulator cap with hollow end facing out
- C. Gas pressure regulator cap with solid end facing out
- D. Washer
- E. Gas pressure regulator cap

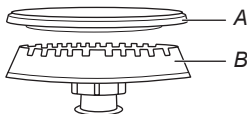
- Turn over the gas pressure regulator cap and reinstall on regulator so that the solid end faces out and the marking "↓NG" is facing the direction shown in the above drawing.
- Replace plastic cover over gas pressure regulator cap.

### To Convert Surface Burners (Propane Gas to Natural Gas)

- Remove burner cap.
- Remove the burner base.



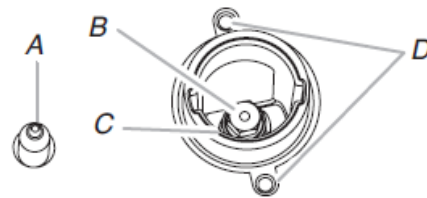
- A. Burner cap
- B. Burner base
- C. Alignment pins
- D. Igniter electrode
- E. Gas tube opening



#### Large Burner

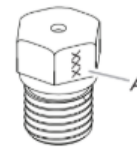
- A. Burner cap
- B. Burner base

- Apply masking tape to the end of a 9/32" (7 mm) nut driver to help hold the gas orifice spud in the nut driver while changing it. Press nut driver down onto the gas orifice spud and remove by turning it counterclockwise and lifting out. Set gas orifice spud aside.



- A. Igniter electrode
- B. Orifice spud
- C. Orifice spud holder
- D. Screws

- Gas orifice spuds are stamped with a number on the side. Replace the propane gas orifice spud with the correct Natural gas orifice spud.



A. Stamped number

Refer to the following chart for the correct Natural gas orifice spud placement.

#### Natural Gas Orifice Spud Chart

Burner Rating	Size (mm)	ID Number
18,000 BTU	2.00	200AM
17,000 BTU	1.96	196AM
15,000 BTU	1.80	180AM
9,500 BTU	1.40	140AM
8,000 BTU	1.30	130AM
5,000 BTU	1.00	100AM

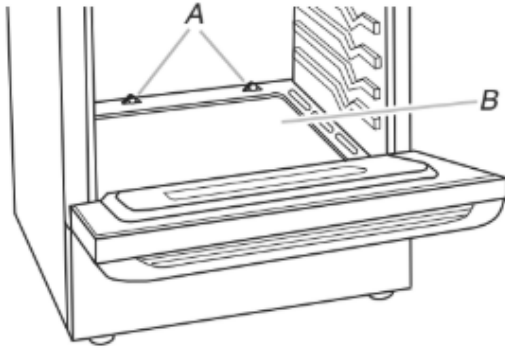
**NOTE:** Refer to the model/serial/rating plate located on the oven frame behind the top right-hand side of the oven door for proper sizing of spuds for each burner location.

- Place propane gas orifice spuds in the orifice spud bag.
  - IMPORTANT:** Keep the propane gas orifice spuds in case of reinstallation with propane gas.
- Replace the burner base using both screws.
- Replace burner cap.
- Repeat steps 1 through 7 for the remaining burners.

### To Convert Oven Bake Burner (Propane Gas to Natural Gas)

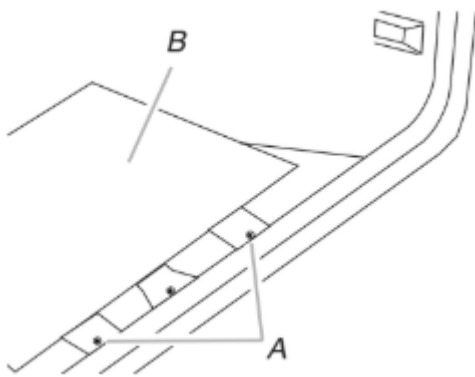
- Remove the oven racks.
- Remove 2 screws at the rear of the oven bottom.

- Lift the rear of the oven bottom up and back until the front of the panel is away from the front frame. Remove from oven and set it aside on a covered surface.



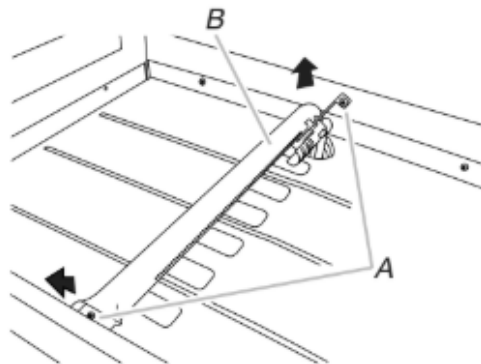
A. Screws  
B. Oven bottom

- Remove 2 screws from the front tabs of the flame spreader. Lift front of the flame spreader and pull forward to remove tabs from rear of oven and set it aside on a covered surface.



A. Screws  
B. Flame spreader

- Remove 2 screws from the bake burner.
- Slide the front of the bake burner to the side to remove tab from front of oven. Lift the back of the bake burner off the oven orifice, and set the bake burner aside.

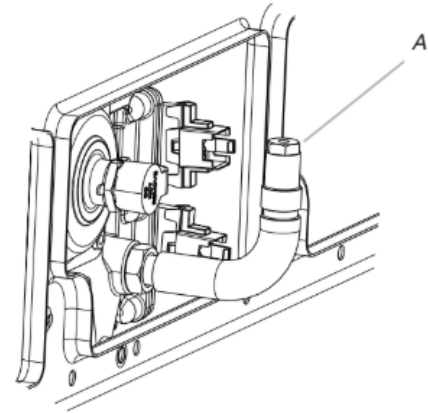


A. Screws  
B. Bake burner

- Use a 3/8" (1 cm) nut driver or combination wrench and turn the Propane gas bake burner orifice spud counterclockwise to remove. The spud will be stamped with a "57."

- Replace the "57" spud with a "49" spud. Install the Natural gas bake burner orifice spud, turning it clockwise until snug.

**IMPORTANT:** Do not overtighten.

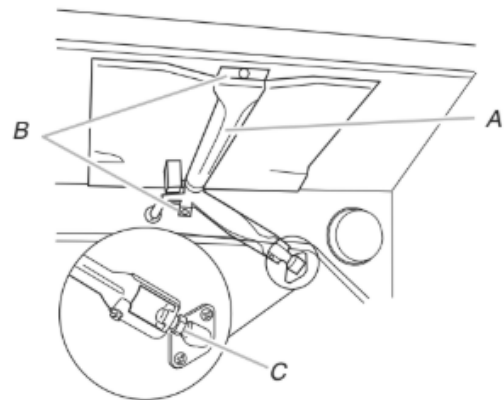


A. Orifice spud

- Position the back of the bake burner over the oven orifice, and slide the tab on front of the bake burner into the front of the oven.
- Reattach the bake burner with 2 screws.
- Insert the tabs on the rear of the flame spreader into the rear of the oven.
- Reattach the front tabs of the flame spreader to the oven with 2 screws.
- Position the front of the oven bottom panel toward the front frame and lower the rear of the oven bottom panel into the oven.
- Reattach the oven bottom panel with 2 screws.

### To Convert Oven Broil Burner (Propane Gas to Natural Gas)

- Remove the screw from the broil burner.
  - Remove the broil burner from the broil burner orifice hood.
- NOTE:** The broil burner will hang in the back of the oven while changing the orifice hood.

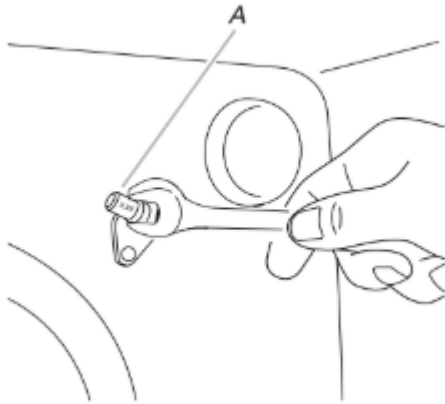


A. Broil burner  
B. Screws  
C. Orifice hood

- Using a 3/8" (9.5 mm) combination wrench, turn the Propane gas broil burner orifice hood counterclockwise to remove. The hood will be stamped with a "090."



- Replace the "090" hood with a "53" hood. Install the Natural gas broiler burner orifice hood, turning it clockwise until snug. **IMPORTANT:** Do not overtighten.



A. Orifice hood

- Place the broil burner on the broil burner orifice hood and insert the broil burner ceramic igniter in the hole in the rear of the oven.
- Position the broil burner against the top of the oven and attach it with 2 screws.
- Replace storage drawer or warming drawer. See the "Storage Drawer" or "Warming Drawer or Premium Storage Drawer" section.
- Replace the oven door. See the "Oven Door" section.
- Replace the oven racks.

### Complete Installation (Propane Gas to Natural Gas)

- Refer to the "Make Gas Connection" section for properly connecting the range to the gas supply.
- Refer to the "Electronic Ignition System" section for proper burner ignition, operation and burner flame adjustments. **IMPORTANT:** You may have to adjust the "LO" setting for each cooktop burner. Checking for proper cooktop, bake and broil burner flame is very important. Natural gas flames do not have yellow tips.
- Refer to "Complete Installation" in the "Installation Instructions" section of this manual to complete this procedure.

**NOTE:** Make sure to save the orifices that have just been replaced in the conversion.

## Moving the Range

### ⚠ WARNING



#### Tip Over Hazard

A child or adult can tip the range and be killed.

Install anti-tip bracket to floor or wall per installation instructions.

Slide range back so rear range foot is engaged in the slot of the anti-tip bracket.

Re-engage anti-tip bracket if range is moved.

Do not operate range without anti-tip bracket installed and engaged.

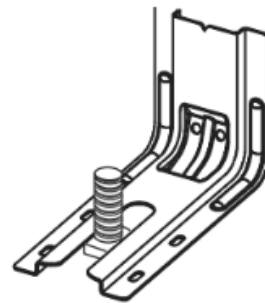
Failure to follow these instructions can result in death or serious burns to children and adults.

When moving range, slide range onto cardboard or hardboard to avoid damaging the floor covering.

If removing the range is necessary for cleaning or maintenance:

#### For power supply cord-connected ranges:

- Slide range forward.
- Turn manual shutoff valve to the closed position.
- Unplug the power supply cord.
- Disconnect the gas supply tubing.
- Complete cleaning or maintenance.
- Reconnect the gas supply tubing.
- Open the manual shutoff valve in the gas supply line.
- Plug in power supply cord.
- Slide range back so rear range foot is under anti-tip bracket.



- Refer to the "Verify Anti-Tip Bracket Is Installed and Engaged" section to verify engagement.
- Check that range is level.

## SÉCURITÉ DE LA CUISINIÈRE

**AVERTISSEMENT :** Si les renseignements dans ces instructions ne sont pas exactement observés, un incendie ou une explosion peut survenir, causant des dommages au produit, des blessures ou un décès.

- Ne pas entreposer ni utiliser de l'essence ou d'autres vapeurs ou liquides inflammables à proximité de cet appareil ou de tout autre appareil électroménager.
- **QUE FAIRE DANS LE CAS D'UNE ODEUR DE GAZ :**
  - Ne pas tenter d'allumer un appareil.
  - Ne pas toucher à un commutateur électrique.
  - Ne pas utiliser le téléphone se trouvant sur les lieux.
  - Appeler immédiatement le fournisseur de gaz à partir du téléphone d'un voisin. Suivre ses instructions.
  - À défaut de joindre votre fournisseur de gaz, appeler les pompiers.
- L'installation et l'entretien doivent être effectués par un installateur qualifié, une agence de service ou le fournisseur de gaz.

 **AVERTISSEMENT :**

Ne jamais faire fonctionner la surface de cuisson de la partie supérieure de cet appareil sans surveillance.

- Ne pas respecter cet énoncé de mise en garde peut provoquer un risque d'incendie, d'explosion ou de brûlure pouvant causer des dommages à la propriété, des blessures ou un décès.
- Si un incendie se produit, rester à distance de l'appareil et appeler immédiatement les pompiers.

**NE JAMAIS ESSAYER D'ÉTEINDRE UN FEU D'HUILE/DE GRAISSE AVEC DE L'EAU.**

La cuisinière ne basculera pas pendant une utilisation normale. Cependant, la cuisinière peut basculer, si vous appliquez trop de force ou de poids à la porte de la cuisinière, sans avoir adéquatement fixé le pied antibasculément.

## ⚠ AVERTISSEMENT

### Risque de basculement

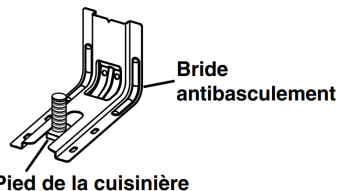
Une personne, enfant ou adulte, peut faire basculer la cuisinière et subir des blessures mortelles. Fixer la bride antibasculément au plancher ou au mur, conformément aux instructions d'installation.

Faire glisser de nouveau la cuisinière de façon à ce que son pied arrière se trouve dans la fente de la bride antibasculément.

Joindre de nouveau la bride antibasculément si la cuisinière est déplacée.

Ne pas faire fonctionner la cuisinière si la bride antibasculément n'est pas installée et engagée.

Le non-respect de ces instructions peut causer un décès ou des brûlures graves aux enfants et aux adultes.



Bride antibasculément

Pied de la cuisinière

Pour vérifier que la bride antibasculément est bien installée et engagée :

- Faire glisser la cuisinière vers l'avant.
- Vérifier que la bride antibasculément est bien fixée au plancher ou au mur.
- Faire glisser de nouveau la cuisinière de façon à ce que le pied arrière de la cuisinière se trouve sous la bride antibasculément.
- Voir les directives d'installation pour obtenir de plus amples renseignements.

**AVERTISSEMENT :** L'odorat ne permet pas toujours la détection d'une fuite de gaz.

Les distributeurs de gaz recommandent l'emploi d'un détecteur de gaz (homologation UL ou CSA).

Pour d'autre information, contacter le fournisseur de gaz local.

En cas de détection d'une fuite de gaz, exécuter les instructions "Que faire dans le cas d'une odeur de gaz".

## Votre sécurité et celle des autres est très importante

Nous donnons de nombreux messages de sécurité importants dans ce manuel et sur votre appareil ménager. Assurez-vous de toujours lire tous les messages de sécurité et de vous y conformer .



Voici le symbole d'alerte de sécurité.

Ce symbole d'alerte de sécurité vous signale les dangers potentiels de décès et de blessures graves à vous et à d'autres.

Tous les messages de sécurité suivront le symbole d'alerte de sécurité et le mot "DANGER" ou "AVERTISSEMENT". Ces mots signifient :

**⚠ DANGER**

Risque possible de décès ou de blessure grave si vous ne suivez pas immédiatement les instructions.

**⚠ AVERTISSEMENT**

Risque possible de décès ou de blessure grave si vous ne suivez pas les instructions.

Tous les messages de sécurité vous diront quel est le danger potentiel et vous disent comment réduire le risque de blessure et ce qui peut se produire en cas de non-respect des instructions.

**IMPORTANT :** Ne pas installer un système de ventilation avec évacuation de l'air vers le bas, qui évacuerait l'air vers cet appareil de cuisson à gaz. Ce type de système de ventilation peut causer des problèmes d'allumage et de combustion avec cet appareil de cuisson à gaz et entraîner des blessures corporelles ou le fonctionnement non désiré de cet appareil.

Dans l'État du Massachusetts, les instructions d'installation suivantes sont applicables :

- Les travaux d'installation et réparation doivent être exécutés par un plombier ou tuyauteur qualifié ou licencié, ou par le personnel qualifié d'une entreprise licenciée par l'État du Massachusetts.
- Remplacer par des dispositifs de fermeture acceptables : Les robinets de gaz et robinets à bille installés pour l'utilisation devraient être indiqués.
- Si un conduit de raccordement flexible est utilisé, sa longueur ne doit pas dépasser 4 pi (121,9 cm).

## IMPORTANTES INSTRUCTIONS DE SÉCURITÉ

**AVERTISSEMENT** : Afin de réduire le risque d'incendie, de décharge électrique ou de blessures lors de l'utilisation de l'appareil, il convient d'observer certaines précautions fondamentales, notamment :

- **AVERTISSEMENT** : POUR MINIMISER LE RISQUE DE BASCULEMENT DE LA CUISINIÈRE, ELLE DOIT ÊTRE BIEN IMMOBILISÉE PAR DES DISPOSITIFS ANTIBASCULEMENT CORRECTEMENT INSTALLÉS. POUR VÉRIFIER SI LES DISPOSITIFS SONT CORRECTEMENT INSTALLÉS, GLISSER LA CUISINIÈRE VERS L'AVANT ET VÉRIFIER SI LA BRIDE ANTIBASCULEMENT EST BIEN FIXÉE AU PLANCHER OU AU MUR, ET GLISSER LA CUISINIÈRE VERS L'ARRIÈRE POUR QUE LE PIED ARRIÈRE DE LA CUISINIÈRE SOIT SOUS LA BRIDE ANTIBASCULEMENT.
- **AVERTISSEMENT**  
NE JAMAIS utiliser cet appareil comme dispositif de chauffage de la pièce. Le non-respect de cette instruction peut entraîner une intoxication au monoxyde de carbone et une surchauffe du four.
- **AVERTISSEMENT**  
NE JAMAIS couvrir les fentes, trous ou passages d'air au fond du four ou couvrir entièrement une grille avec des matériaux tels que du papier d'aluminium. Le non-respect de cette instruction empêche la circulation de l'air dans le four et peut entraîner une intoxication au monoxyde de carbone. Les feuilles de papier d'aluminium peuvent également retenir la chaleur et créer un risque d'incendie.
- **MISE EN GARDE** : Ne pas ranger d'articles pouvant intéresser les enfants dans les armoires situées au-dessus d'un appareil ou sur dossier de la appareil – les enfants grimpan sur la appareil pour atteindre des articles peuvent gravement se blesser.
- Ne pas laisser les enfants seuls – Les enfants ne doivent pas être laissés seuls ou sans surveillance dans la zone où la appareil est utilisé. Ils ne doivent jamais être autorisés à s'asseoir ou à se tenir debout sur une partie quelconque de la appareil.
- Porter des vêtements adaptés – Les vêtements pendants ou non ajustés ne doivent jamais être portés lorsqu'on utilise la cuisinière.
- Ne pas utiliser d'eau sur les feux de friture – Éteindre le feu ou la flamme ou utiliser un extincteur avec agent chimique sec ou mousses.
- Entreposage dans ou sur la appareil – Les matières inflammables ne doivent pas être entreposées dans un four ou près de la surface de la table.
- Cet appareil n'est pas conçu pour servir d'espace de rangement.
- Entretien par l'utilisateur – Ne pas réparer ou remplacer une quelconque pièce de la appareil sans recommandation spécifique du manuel. Toutes les autres tâches d'entretien doivent être effectuées par un technicien qualifié.
- Utiliser uniquement des mitaines sèches – Les mitaines humides ou trempées sur les surfaces chaudes peuvent provoquer des brûlures dues à la vapeur. Ne pas laisser les mitaines toucher des unités de surface et chauds. Ne pas utiliser un chiffon ou tout autre tissu encombrant.
- Ne jamais laisser les surfaces de cuisson sans surveillance à des réglages de chaleur élevée – Les ébullitions provoquent de la fumée et des éclaboussures grasses qui peuvent s'enflammer.
- Ustensiles de cuisson émaillés – seuls certains types d'ustensiles en verre, vitrocéramique, céramique, terre cuite ou autre émaillage peuvent être utilisés sur la surface de la cuisinière sans briser en raison du changement de température soudain.
- Les poignées des ustensiles doivent être tournées vers l'intérieur et ne doivent pas dépasser au-dessus des unités de surface de cuisson – Pour éviter le risque de brûlures, d'inflammation des matières inflammables et d'éclaboussures dues à un contact non intentionnel avec l'ustensile, la poignée d'un ustensile doit toujours être positionnée vers l'intérieur et ne doit pas dépasser au-dessus des surfaces de cuisson adjacentes.
- Déconnecter la source de courant électrique avant l'entretien.
- Cet appareil est pourvu d'une fiche à trois broches don't une mise à la terre assurant une protection contre les chocs électriques. La prise dans laquelle elle est branchée doit être correctement mise à la terre. Ne pas couper ni enlever la broche de mise à la terre de la fiche.
- Installation conforme – L'appareil, lors de son installation, doit être correctement relié à la terre en conformité avec les codes locaux en vigueur, ou en l'absence de tels codes, avec le National Electrical Code, ANSI/NFPA 70 ou le Code canadien des installations électriques, CSA C22.1-02. Au Canada, l'appareil doit être relié à la terre en respectant le Code canadien de l'électricité. S'assurer que l'appareil est bien installé et que la mise à la terre est réalisée par un technicien qualifié.
- Des blessures peuvent résulter d'un mauvais usage des portes ou tiroirs de l'appareil – par exemple, marcher, s'appuyer ou s'asseoir sur les portes ou tiroirs.
- Entretien – Maintenir la zone de la cuisinière à l'abri des matériaux combustibles, essence ou autres vapeurs ou liquides inflammables.

**CONSERVEZ CES INSTRUCTIONS**

## IMPORTANTES INSTRUCTIONS DE SÉCURITÉ

- La taille de la flamme du brûleur supérieur doit être ajustée de façon à ne pas dépasser du bord de l'ustensile de cuisson. Cette instruction est basée sur des considérations de sécurité.
  - Ne pas utiliser de pièces de remplacement qui n'ont pas été recommandées par le fabricant (c.-à-d., des pièces fabriquées à la maison à l'aide d'une imprimante 3D).
  - Nettoyer la table de cuisson avec précaution – Si une éponge ou un linge humide est utilisé pour nettoyer les éclaboussures sur une zone de cuisson chaude, faire attention aux brûlures dues à la vapeur. Certains nettoyants peuvent produire des fumées toxiques si appliqués sur une surface chaude.
  - Ouvrir la porte lentement – Laisser la chaleur ou la vapeur s'échapper avant de retirer ou de remettre en place un plat.
  - Ne pas faire chauffer un contenant qui n'a pas été ouvert – L'accumulation de pression pourrait faire éclater le contenant et causer des blessures.
  - Garder dégagés les conduits de ventilation du four.
  - **NE PAS TOUCHER LES ÉLÉMENTS CHAUFFANTS OU LES SURFACES INTÉRIEURES DU FOUR** – Les éléments chauffants peuvent être chauds même s'ils sont de couleur foncée. Les surfaces intérieures du four peuvent être suffisamment chaudes pour provoquer des brûlures. Pendant et après l'utilisation, ne pas toucher ou laisser des vêtements ou d'autres matériaux inflammables en contact avec les éléments chauffants ou les surfaces intérieures tant qu'ils n'ont pas suffisamment refroidi. Les autres surfaces de l'appareil peuvent devenir suffisamment chaudes pour causer des brûlures – les ouvertures de ventilation et les surfaces autour de ces ouvertures, les portes du four et les hublots de portes font partie de ces surfaces.
  - Il faut faire attention de ne pas laisser le papier aluminium et la sonde de cuisson entrer en contact avec les éléments chauffants.
- Pour les cuisinières autonettoyantes –**
- Ne pas nettoyer le joint – Le joint est essentiel pour une bonne étanchéité. Faire attention à ne pas frotter, endommager ou déplacer le joint.
  - Ne pas utiliser de nettoyants à four – Aucun nettoyant commercial ou revêtement de protection pour four d'aucune sorte ne devrait être utilisé dans le four ou près de ses parties.
  - Ne nettoyer que les pièces indiquées dans le manuel.
  - Avant de mettre en marche l'autonettoyage – Enlever la lèchefrite et les autres ustensiles. Essuyer tout excès de renversement avant de commencer un programme de nettoyage.
- Pour les appareils avec hotte de ventilation –**
- Nettoyer régulièrement les hottes de ventilation – Ne pas laisser la graisse s'accumuler dans la hotte ou le filtre.
  - Lorsque des aliments sont flambés sous la hotte, mettre le ventilateur en marche.
- Pour les cuisinières et fours intelligents :**
- Utilisation à distance – cet appareil peut être configuré pour permettre l'utilisation à distance en tout temps. Ne pas ranger de matériaux inflammables ou sensibles à la température sur le dessus ou près de la surface de l'appareil.

**CONSERVEZ CES INSTRUCTIONS**

# ENTRETIEN ET RÉPARATION DE LA CUISINIÈRE

## Nettoyage général

**IMPORTANT :** Avant le nettoyage, s'assurer que toutes les commandes sont éteintes et que le four et la table de cuisson sont froids. Toujours suivre les instructions figurant sur les étiquettes des produits de nettoyage.

Du savon, de l'eau et un chiffon doux ou une éponge sont recommandés, à moins d'indications contraires.

### **SURFACES EN ÉMAIL VITRIFIÉ UNIQUEMENT (sur certains modèles)**

Les éclaboussures alimentaires acides, telles que vinaigre et tomate, doivent être nettoyées dès que la cuisinière a refroidi. Ces salissures peuvent endommager le fini.

#### **Méthode de nettoyage :**

- Nettoyant à vitre, nettoyant doux liquide ou tampon à récurer non abrasif : Nettoyer doucement autour de la plaque signalétique car le frottement pourrait en effacer les chiffres.
- Nettoyant pour cuisine et appareils ménagers affresh®+ référence W10355010 (non fourni) :  
Consulter le Guide de démarrage rapide pour les informations de commande.

### **ACIER INOXYDABLE (sur certains modèles)**

**REMARQUE :** Afin d'éviter d'endommager les surfaces en acier inoxydable, ne pas utiliser de tampons à récurer savonneux, de nettoyants abrasifs, de crème à polir pour table de cuisson, de tampons en laine d'acier, de chiffons de lavage rêches ou d'essuie-tout abrasifs. Ils peuvent endommager les surfaces en acier inoxydable, même après usage unique ou limité.

#### **Méthode de nettoyage :**

- Frotter dans la direction du grain pour éviter les dommages.
- Nettoyant pour acier inoxydable affresh® référence W10355016 (non fourni) :  
Consulter le Guide de démarrage rapide pour les informations de commande.

### **PEINTURE MÉTALLIQUE (sur certains modèles)**

Ne pas utiliser de nettoyants abrasifs, de nettoyants avec agent de blanchiment, de produits antirouille, d'ammoniaque ou d'hydroxyde de sodium (soude), car la surface peinte pourrait se tacher.

### **GRILLES ET CHAPEAUX ÉMAILLÉS**

Les renversements d'aliments contenant des produits acides, tels que vinaigre et tomates, doivent être nettoyés dès que la table de cuisson, les grilles et les chapeaux ont refroidi. Ces salissures peuvent endommager le fini.

Pour éviter l'écaillage, ne pas entrechoquer les grilles et les chapeaux ni les frapper contre des surfaces dures telles que les ustensiles en fonte.

Ne pas réinstaller les chapeaux sur les brûleurs lorsqu'ils sont mouillés. Ne pas nettoyer pendant le programme d'autonettoyage

#### **Méthode de nettoyage :**

- Ustensile de récurage en plastique non abrasif et nettoyant légèrement abrasif : Nettoyer dès que la table de cuisson, les grilles et les chapeaux ont refroidi.
- Lave-vaisselle (les grilles seulement et non les chapeaux) : Utiliser le programme le plus intensif. Les saletés cuites doivent être trempées ou frottées avant d'être placées au lave-vaisselle.  
Bien que les grilles de brûleurs soient durables, elles perdront progressivement de leur lustre et (ou) se décoloreront lorsqu'on les lave au lave-vaisselle.
- Nettoyant pour grille et plateau d'égouttement pour installation à gaz – Pièce n° 31617A (non fournie) :  
Consulter le Guide de démarrage rapide pour les informations de commande.

### **BRÛLEURS DE SURFACE**

Les renversements d'aliments contenant des produits acides, tels que vinaigre et tomates, doivent être nettoyés dès que la table de cuisson, les grilles et les chapeaux ont refroidi. Ces salissures peuvent endommager le fini.

Pour éviter l'écaillage, ne pas entrechoquer les grilles et les chapeaux ni les frapper contre des surfaces dures telles que les ustensiles en fonte.

Ne pas réinstaller les chapeaux sur les brûleurs lorsqu'ils sont mouillés.

Ne pas utiliser le programme d'autonettoyage pour les nettoyer.

Ne pas nettoyer au lave-vaisselle.

#### **Méthode de nettoyage :**

- Ustensile de récurage en plastique non abrasif et nettoyant légèrement abrasif :  
Nettoyer dès que la table de cuisson, les grilles, les brûleurs et les chapeaux ont refroidi.
- Nettoyant pour plateau d'égouttement et grille de cuisinière à gaz (non fourni).

### **COMMANDES DE LA TABLE DE CUISSON**

Afin d'éviter d'endommager les commandes de la table de cuisson, ne pas utiliser de laine d'acier, de nettoyants abrasifs ou de nettoyant pour four.

Afin d'éviter toute détérioration, ne pas laisser tremper les boutons de commande. Lors de la réinstallation des boutons, s'assurer que chaque bouton est à la position Off (arrêt).

Sur certains modèles, ne pas enlever les joints sous les boutons.

#### **Méthode de nettoyage :**

- Savon et eau : Tirer les boutons en ligne droite hors du tableau de commande pour les enlever.

### **TABLEAU DE COMMANDE ET EXTÉRIEUR DE LA PORTE DU FOUR**

Afin d'éviter d'endommager le tableau de commande, ne pas utiliser de nettoyants abrasifs, de tampons en laine d'acier, de chiffons de lavage rêches ou d'essuie-tout abrasifs.

#### **Méthode de nettoyage :**

- Nettoyant à vitre et chiffon doux ou éponge : Appliquer le nettoyant à vitre sur un chiffon doux ou une éponge, et non directement sur le tableau.
- Nettoyant pour cuisine et appareils ménagers affresh® référence W10355010 (non fourni) :  
Consulter le Guide de démarrage rapide pour les informations de commande.

†®affresh est une marque déposée de Whirlpool, É.-U.

## GRILLES DU FOUR

### Méthode de nettoyage :

- Tampon en laine d'acier
- Pour les grilles ternies qui glissent difficilement, enduire légèrement les glissières d'huile végétale; cela facilitera leur glissement.
- Lave-vaisselle (réservoir à eau de la grille d'étuvage uniquement, pas les grilles) : Bien que le réservoir à eau soit résistant, il peut perdre de son lustre et/ou décolorer s'il est lavé au lave-vaisselle.

### TIROIR DE REMISAGE (sur certains modèles)

S'assurer que le tiroir est froid et vide avant le nettoyage.

### Méthode de nettoyage :

- Détergent doux

## CAVITÉ DU FOUR

Ne pas utiliser de nettoyants à four.


Les éclaboussures alimentaires doivent être nettoyées lorsque le four a refroidi. À haute température, les aliments réagissent avec l'émail et peuvent provoquer la formation de taches, une attaque acide, des piqûres ou des décolorations blanchâtres.

### Méthode de nettoyage :

- Programme d'autonettoyage: Voir d'abord la section "Programme d'autonettoyage" ou "Programme de nettoyage".

## Programme d'autonettoyage

**⚠ AVERTISSEMENT**



**Risque de brûlures**

**Ne pas toucher le four au cours du programme d'autonettoyage.**

**Garder les enfants loin du four au cours du programme d'autonettoyage.**

**Le non-respect de ces instructions peut causer des brûlures.**

**IMPORTANT :** Certains oiseaux sont très sensibles aux émanations qui surviennent durant le programme d'autonettoyage. L'exposition aux émanations peut entraîner la mort de certains oiseaux. Toujours déplacer les oiseaux dans une autre pièce fermée et bien aérée.

Veiller à ce que la cuisine soit bien aérée pendant le programme d'autonettoyage afin d'aider à éliminer la chaleur, les odeurs et la fumée.

Ne pas obstruer l'évent (ou les événements) du four durant le programme d'autonettoyage. L'air doit pouvoir circuler librement. Selon votre modèle, voir la section "Évent du four" ou "Événements du four" dans le Guide de démarrage rapide.

Ne pas nettoyer, frotter, endommager ou déplacer le joint d'étanchéité de la porte du four.

## Préparation de la cuisinière :

- Retirer du four la lèchefrite, la grille, les ustensiles de cuisine et de cuisson au four, les grilles du four et le papier aluminium et, sur certains modèles, la sonde de cuisson.
- À l'aide d'un chiffon humide, nettoyer le bord de l'intérieur de la porte et une zone de 1 1/2 po (3,8 cm) sur le pourtour du cadre de la cavité du four, en prenant soin de ne pas déplacer ni plier le joint d'étanchéité.
- Essuyer toute saleté décollée afin de réduire la fumée et d'éviter les dommages. À des températures élevées, les aliments réagissent avec l'émail et peuvent causer des taches, une attaque acide, des piqûres ou des décolorations blanchâtres. Ceci n'affectera pas la performance de cuisson.
- Enlever les articles de plastique de la table de cuisson car ils peuvent fondre.
- Enlever tous les articles du tiroir de remisage.

## Fonctionnement du programme

**IMPORTANT :** Le chauffage et le refroidissement de la porcelaine sur l'acier dans le four peuvent causer une décoloration, une perte de lustre, des fissures minuscules et des bruits d'éclatement.

Avant le autonettoyage, s'assurer que la porte est complètement fermée sinon elle ne se verrouillera pas et le programme d'autonettoyage ne commencera pas.

Le programme d'autonettoyage utilise des températures très élevées, brûlant les saletés pour les réduire en cendres.

Lorsque le four a complètement refroidi, retirer la cendre avec un chiffon humide. Pour éviter de briser le verre, ne pas appliquer de chiffon humide froid sur le verre intérieur de la porte avant qu'il n'ait complètement refroidi.

Pour arrêter le programme de nettoyage à tout moment, appuyer sur la touche annulation. Si la température est trop élevée, la porte du four reste verrouillée et "cool" (froid) et "Locked" (verrouillée) s'affichent. Le ventilateur de refroidissement peut continuer à fonctionner.

Lorsque "locked" (verrouillé) apparaît sur l'affichage, les portes du four ne peuvent pas être ouvertes. Pour éviter d'endommager la porte, ne pas forcer l'ouverture de la porte tant que "locked" (verrouillé) est affiché.

Une fois la température de nettoyage atteinte, la commande électronique nécessite un délai de 12 heures avant qu'un autre programme d'autonettoyage puisse être lancé.

La lampe du four ne fonctionne pas durant le programme de nettoyage.

## Commande électronique de four avec temps de nettoyage ajustable (sur certains modèles)

La durée du programme d'autonettoyage est réglable entre 2 h 30 et 4 h 30 par tranches de 30 minutes. Les durées de nettoyage suggérées sont de 2 h 30 pour des saletés légères et de 4 h 30 pour des saletés abondantes. Pendant les 30 dernières minutes du programme, le four refroidit.

### Pour utiliser l'autonettoyage :

1. Appuyer sur SELF CLEAN (autonettoyage).
2. Appuyer sur la touche Temp/Time (température/durée) "+" ou "-" pour entrer la durée du programme d'autonettoyage désirée.

3. Appuyer sur START (mise en marche).

La porte du four se verrouille automatiquement. Les témoins lumineux Door locked (porte verrouillée) et Clean (propre) s'allument. La durée résiduelle est également affichée.

4. Lorsque le programme d'autonettoyage est terminé et que le four est froid, les témoins lumineux Door locked (porte verrouillée) et Clean (propre) s'éteignent.



- Lorsque le four a complètement refroidi, retirer la cendre avec un chiffon humide.

Pour quitter le programme d'autonettoyage avant la fin, appuyer sur CANCEL (annulation). La porte se déverrouille dès que le four est froid.

## INSTRUCTIONS D'INSTALLATION EXIGENCE

### Outils et pièces

Avant d'entreprendre l'installation, rassembler tous les outils et le matériel nécessaires. Lire et suivre les instructions fournies avec les outils indiqués ici.

#### Outils nécessaires

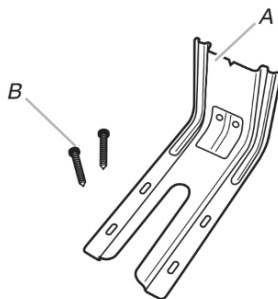
- Ruban à mesurer
- Tournevis à lame plate
- Tournevis Phillips
- Tournevis à lame plate de 1/8 po (3 mm)
- Niveau
- Perceuse manuelle ou électrique
- Marteau
- Clé ou pince
- Clé à tuyauterie
- Clé mixte de 15/16 po
- Clé à cliquet de 1/4 po
- Tourne-écrou de 3/8 po
- Foret de 1/8 po (pour plancher de bois)
- Crayon ou marqueur
- Composé d'étanchéité des raccords filetés résistant au propane
- Solution non corrosive de détection des fuites
- Foret à maçonnerie à pointe carburée de 3/16 po (4,8 mm)  
(pour planchers en béton/céramique)  
(Pour les cuisinières avec commandes encastrées/à l'avant)

#### Pour la conversion pour l'alimentation au gaz propane/ gaz naturel

- Clé mixte de 3/8 po
- Clé mixte de 1/2 po
- Clé mixte de 5/8 po
- Tourne-écrou 9/32 po
- Tournevis Quadrex®+ ou Phillips
- Ruban adhésif de masquage
- Tourne-écrou 3/8 po  
(Pour les cuisinières avec commandes encastrées/à l'avant)

#### Pièces fournies

Vérifier la présence de toutes les pièces.



- A. Bride antibasculement
- B. #12 x 1 5/8 po (4,1 cm) Vis (2)

La bride antibasculement doit être bien fixée au plancher ou au mur. L'épaisseur du plancher peut nécessiter des vis plus longues pour l'ancrage de la bride au plancher.

### Pièces nécessaires

Consulter les codes locaux en vigueur et le fournisseur de gaz. Déterminer les caractéristiques des sources disponibles d'électricité et gaz. Voir "Spécifications électriques" et "Spécifications de l'alimentation en gaz".

**REMARQUE :** S'assurer d'acheter uniquement des pièces et des accessoires Whirlpool certifiés par le fabricant de l'appareil. Il se peut que l'installation nécessite des pièces supplémentaires. Pour commander, consulter les coordonnées indiquées dans le guide de démarrage rapide.

### Exigences d'emplacement

**IMPORTANT :** Observer les dispositions de tous les codes et règlements en vigueur. Ne pas obstruer le flux de combustion et de ventilation.

- C'est à l'installateur qu'incombe la responsabilité de respecter les distances de séparation spécifiées sur la plaque signalétique. La plaque signalétique se trouve derrière la porte du four, dans le coin supérieur droit /gauche du châssis.
- La cuisinière doit être installée à un endroit pratique dans la cuisine.
- Dans le cas d'une cuisinière encastrée, l'enceinte doit recouvrir complètement les côtés et l'arrière de la cuisinière.
- Toutes les ouvertures dans le mur ou le plancher de l'emplacement d'installation de la cuisinière doivent être scellées.
- Respecter les dimensions indiquées pour les ouvertures à découper dans les placards. Ces dimensions constituent les valeurs minimales des dégagements.
- La bride antibasculement de plancher doit être installée. Pour l'installation de la bride antibasculement fournie avec la cuisinière, voir la section "Installation de la bride antibasculement".
- Une source d'électricité avec liaison à la terre est nécessaire. Voir la section "Spécifications électriques".
- Un raccordement adéquat à l'alimentation en gaz doit être disponible. Voir la section "Spécifications de l'alimentation en gaz".
- Contacter un installateur de revêtement de sol qualifié, qui pourra déterminer si le revêtement de sol peut résister à une température d'au moins 200 °F (93 °C).
- Dans le cas de l'installation de la cuisinière sur une moquette, placer sous la cuisinière un tapis isolant ou une plaque de contreplaqué de 1/4 po (6,4 mm).

**IMPORTANT :** Afin d'éviter d'endommager les placards, consulter le constructeur de la maison ou le fabricant des placards pour déterminer si les matériaux utilisés peuvent subir un changement de couleur, une déstratification ou d'autres dommages. Ce four a été conçu conformément aux exigences des normes UL et CSA International et respecte les températures maximales permises de 194 °F (90 °C) pour les placards en bois.



## Résidence mobile – Spécifications additionnelles à respecter lors de l'installation

L'installation de cette cuisinière doit être conforme aux dispositions de la norme Manufactured Home Construction and Safety Standard, Title 24 CFR, Part 3280 (anciennement Federal Standard for Mobile Home Construction and Safety, Title 24, HUD Part 280). Lorsque cette norme n'est pas applicable, l'installation doit satisfaire aux critères de la norme Standard for Manufactured Home Installations, ANSI A225.1/NFPA 501A ou aux dispositions des codes locaux. Au Canada, l'installation de cette cuisinière doit satisfaire aux stipulations de la version la plus récente de la norme CAN/CSA-Z240.1 ou des codes locaux en vigueur.

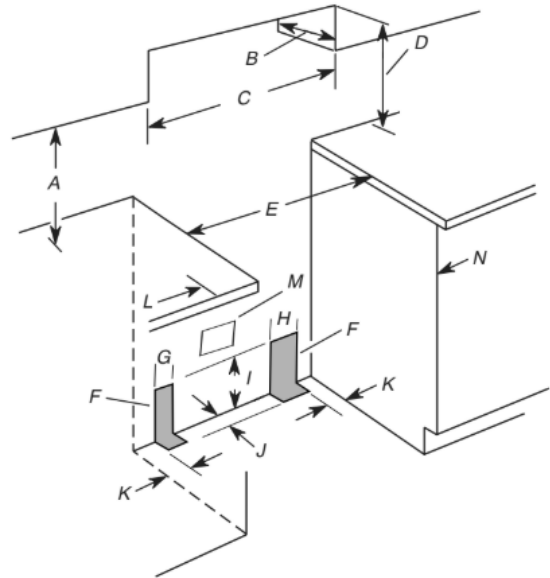
### Autres critères à respecter pour une installation en résidence mobile :

- Dans le cas de l'installation de cette cuisinière dans une résidence mobile, la cuisinière doit être fixée conformément aux instructions présentées dans ce document.

## Dimensions du placard

Les dimensions de l'espace d'installation entre les placards sont valides pour l'installation entre des placards de 25 po (64,0 cm) de profondeur avec plan de travail de 24 po (61,0 cm) de profondeur et 36 po (91,4 cm) de hauteur.

**IMPORTANT :** Si une hotte ou un ensemble hotte/four à micro-ondes est installé au-dessus de la surface de cuisson, suivre les instructions d'installation fournies avec la hotte ou l'ensemble hotte/four à micro-ondes concernant les dimensions de dégagement à respecter au-dessus de la surface de cuisson.



- A. 18 po (45,7 cm) entre le placard latéral supérieur et le plan de travail
- B. Profondeur maximale des placards supérieurs : 13 po (33 cm)
- C. Largeur de l'ouverture 30 po (76,2 cm) minimum
- D. Pour le dégagement minimum par rapport au dessus de la table de cuisson, voir la REMARQUE\*.
- E. Largeur minimale de l'ouverture : 30 po (76,2 cm)
- F. Il est recommandé d'effectuer l'installation de la canalisation de gaz rigide dans les zones grisées.
- G. 4 1/2 po (11,4 cm)
- H. 8 po (20,3 cm)
- I. 17 po (43,2 cm)
- J. 2 po (5,1 cm)
- K. 4 1/2 po (11,4 cm)
- L. Dégagement minimal de 3 po (7,6) entre les deux côtés de la cuisinière et la paroi latérale ou d'autres matériaux combustibles.
- M. Prise reliée à la terre
- N. Ni la porte, ni les charnières du placard ne doivent dépasser à l'intérieur de l'ouverture.

**REMARQUE :** Distance de séparation de 24 po (61,0 cm) ou plus lorsque le fond d'un placard de bois ou de métal est protégé par une planche ignifugée d'au moins 1/4 po (6,4 mm) recouverte d'une feuille métallique d'épaisseur égale ou supérieure à : acier calibre 28 MSG, acier inoxydable 0,015 po (0,4 mm), aluminium 0,024 po (0,6 mm) ou cuivre 0,020 po (0,5 mm). Distance de séparation minimale de 30 po (76,2 cm) entre le dessus de la table de cuisson et le fond d'un placard de bois ou de métal non protégé.

## Spécifications électriques

### **AVERTISSEMENT**



#### Risque de choc électrique

**Brancher l'appareil sur une prise à 3 alvéoles reliée à la terre.**

**Ne pas enlever la prise de liaison à la terre.**

**Ne pas utiliser d'adaptateur.**

**Ne pas utiliser de rallonge.**

**Le non-respect de ces instructions peut causer un décès, un incendie ou un choc électrique.**

**IMPORTANT :** La cuisinière doit être électriquement reliée à la terre conformément aux prescriptions des codes et règlements locaux; en l'absence de code local, respecter les prescriptions du code national en vigueur : National Electrical Code, ANSI/NFPA 70, ou Code canadien de l'électricité, CSA C22.1.

Cette cuisinière est dotée d'un système d'allumage électronique qui ne fonctionnera pas en cas de branchement dans une prise qui n'est pas correctement polarisée.

Si un conducteur distinct de liaison à la terre est utilisé (lorsque le code en vigueur le permet), on recommande qu'un électricien qualifié vérifie la qualité de la liaison à la terre.

On peut obtenir un exemplaire des normes du code national en vigueur à l'adresse suivante :

National Fire Protection Association  
1 Batterymarch Park  
Quincy, MA 02169-7471

CSA International  
8501 East Pleasant Valley Road  
Cleveland, OH 44131-5575

- L'appareil doit être alimenté uniquement par un circuit électrique de 120 V, CA seulement, de 60 Hz, 15 A protégé par fusibles. On recommande également l'emploi de fusibles temporisés ou disjoncteurs. On recommande que la cuisinière soit alimentée par un circuit indépendant.
- Les dispositifs d'allumage électronique peuvent fonctionner correctement dans une plage de tension d'alimentation étendue, mais il est nécessaire de respecter la polarité stipulée et d'établir une liaison à la terre adéquate. Vérifier que la prise de courant fournit une tension de 120 V et qu'elle est correctement reliée à la terre.
- Il n'est pas nécessaire de brancher cette cuisinière à gaz à une prise équipée d'un disjoncteur différentiel. Il est recommandé de ne pas brancher une cuisinière à gaz ou tout autre gros appareil électroménager à allumage électrique par étincelle dans une prise murale à disjoncteur différentiel, car ce dernier peut se déclencher lors de l'utilisation normale de l'allumeur.
- La performance de cette cuisinière ne change pas si elle est branchée à un circuit protégé par disjoncteur différentiel. Toutefois, le déclenchement intempestif du disjoncteur différentiel en utilisation normale peut se produire du fait de la nature des cuisinières à gaz à allumage électronique.
- Le schéma de câblage est situé à l'arrière de la cuisinière, dans un sachet plastique transparent.

**REMARQUE :** Le châssis métallique de la cuisinière doit être relié à la terre pour que le tableau de commande puisse fonctionner correctement. Si le châssis métallique de la cuisinière n'est pas relié à la terre, aucune touche du tableau de commande ne peut fonctionner. En cas de doute quant à la qualité de la liaison à la terre du châssis en métal de la cuisinière, consulter un électricien qualifié.

## Spécifications de l'alimentation en gaz

### **AVERTISSEMENT**



#### Risque d'explosion

**Utiliser une canalisation neuve d'arrivée de gaz approuvée par la CSA International.**

**Installer un robinet d'arrêt.**

**Bien serrer chaque organe de connexion de la canalisation de gaz.**

**En cas de connexion au gaz propane, demander à une personne qualifiée de s'assurer que la pression de gaz ne dépasse pas 14 po (36 cm) dans la colonne d'eau.**

**Par personnel qualifié, on entend : personnel agréé de chauffage, personnel agréé d'une compagnie de gaz, et personnel d'entretien agréé.**

**Le non-respect de ces instructions peut causer un décès, une explosion ou un incendie.**

Observer toutes les prescriptions des codes et règlements en vigueur.

**IMPORTANT :** L'installation doit satisfaire aux critères de tous les codes et règlements locaux. En l'absence de code local, l'installation doit satisfaire aux prescriptions de la plus récente édition du : National Fuel Gas Code ANSI Z223.1 (American National Standard), ou, en Canada, el Código de instalación de gas natural y propano, CSA B149.1. plus récente édition.

**IMPORTANT :** Les tests de fuite de la cuisinière doivent être effectués selon les instructions du fabricant. Voir la section « Achever l'installation » des « Raccordement au gaz » pour les instructions des tests de fuite.

### Type de gaz

#### Gaz naturel :

- Cette cuisinière a été configurée à l'usine pour l'alimentation au gaz naturel. Voir la section "Conversions pour changement de gaz". La plaque signalétique située sur le châssis du four, derrière le côté supérieur droit de la porte du four indique les types de gaz utilisables. Si le type de gaz disponible n'est pas mentionné, consulter le fournisseur de gaz local.

#### Conversion pour l'alimentation au propane :

L'opération de conversion doit être exécutée par un technicien qualifié.

Consulter le fournisseur de gaz avant toute conversion de l'appareil pour l'utilisation d'un type de gaz qui n'est pas mentionné sur la plaque signalétique. Voir la section "Conversions pour changement de gaz".

## Canalisation d'alimentation en gaz

- Installer une canalisation d'alimentation en gaz rigide de 3/4 po (1,9 cm) jusqu'à l'emplacement d'installation de la cuisinière. L'emploi d'une canalisation de plus petit diamètre ou plus longue peut susciter une déficience du débit d'alimentation. Pour l'alimentation au propane, le diamètre des canalisations doit être de 1/2 po (1,3 cm) ou plus. Généralement, le fournisseur de gaz propane détermine les matériaux à utiliser et la dimension appropriée.
- **REMARQUE :** On doit utiliser un composé d'étanchéité pour tuyauteries résistant à l'action du gaz propane. Ne pas utiliser de ruban TEFLON<sup>†</sup>.

### Raccord métallique flexible pour appareil ménager :

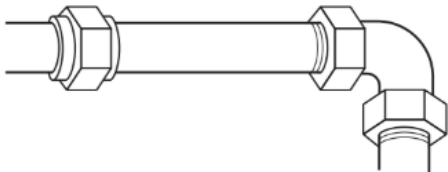
- Si les codes locaux le permettent, pour raccorder la cuisinière à la canalisation de gaz, on peut utiliser un raccord métallique flexible pour appareil ménager neuf (homologation CSA) de 4 à 5 pi (122 à 152,4 cm) de longueur, de diamètre interne de 1/2 po ou 3/4 po (1,3 ou 1,9 cm).



- Un raccord avec filetage mâle de 1/2 po (1,3 cm) est nécessaire pour la connexion sur le raccord à filetage femelle à l'entrée du détendeur de l'appareil.
- Veiller à ne pas déformer ou endommager le tube métallique flexible lors d'un déplacement de la cuisinière.

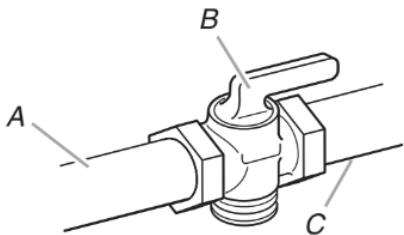
### Raccordement par une canalisation rigide :

On doit utiliser une combinaison de raccords pour réaliser un raccordement rigide entre la cuisinière et la canalisation de gaz. La canalisation rigide doit se trouver au même niveau que le raccord de connexion de la cuisinière. On doit veiller à ne soumettre les sections de canalisation d'alimentation et de combustible à aucun effort de traction ou flexion, pour que la cuisinière soit d'aplomb et correctement alignée.



- Robinet d'arrêt nécessaire :

Installer un robinet d'arrêt manuelle à un emplacement facile d'accès. Ne pas bloquer l'accès au robinet d'arrêt. Le robinet permet d'alimenter et de couper l'alimentation en gaz à la cuisinière.



- A. Canalisation d'alimentation en gaz
- B. Robinet d'arrêt en position d'ouverture
- C. Vers la cuisinière

## Détendeur

Le détendeur fourni avec cette cuisinière doit être utilisé. Pour un fonctionnement correct, la pression d'alimentation du détendeur doit être comme suit :

### Gaz naturel :

Pression minimum : 5 po (12,7 cm) (colonne d'eau)

Pression maximum : 14 po (35,5 cm) (colonne d'eau)

### Gaz propane :

Pression minimum : 11 po (27,9 cm) (colonne d'eau)

Pression maximum : 14 po (35,5 cm) (colonne d'eau)

En cas d'incertitude quant à la pression d'alimentation à établir, contacter le fournisseur de gaz local.

### Débit thermique des brûleurs

Les débits thermiques indiqués sur la plaque signalétique correspondent à une altitude d'utilisation inférieure ou égale à 2000 pi (609,6 m).

Lorsque l'appareil est utilisé à une altitude supérieure à 2000 pi (609,6 m), on doit réduire le débit thermique indiqué de 4 % pour chaque tranche de 1000 pi (304,8 m) au-dessus du niveau de la mer (pas applicable au Canada).

### Tests de pressurisation de la canalisation de gaz

On doit tester le détendeur sous une pression supérieure d'au moins 1 po (colonne d'eau) à la pression de la tubulure de distribution indiquée sur la plaque signalétique.

#### Pressurisation à une pression supérieure à 1/2 lb/po<sup>2</sup> (3,5 Kpa) (14 po [35,5 cm] - colonne d'eau)

Lors de tout test de pressurisation de ce système à une pression supérieure à 1/2 lb/po<sup>2</sup> (3,5 kPa), on doit déconnecter la cuisinière et son robinet d'arrêt individuel de la canalisation de gaz.

#### Pressurisation à une pression égale ou inférieure à 1/2 lb/po<sup>2</sup> (3,5 Kpa) (14 po [35,5 cm] de colonne d'eau ou moins)

Lors de tout test de pressurisation de la canalisation de gaz à une pression égale ou inférieure à 1/2 lb/po<sup>2</sup> (3,5 kPa), on doit isoler la cuisinière de la canalisation de gaz par fermeture de son robinet d'arrêt manuel individuel.

## INSTALLATION

### Déballage de la cuisinière

## ⚠ AVERTISSEMENT

### Risque du poids excessif

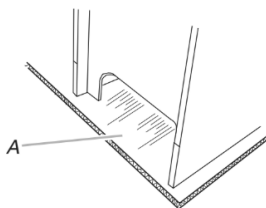
Utiliser deux personnes ou plus pour déplacer et installer ou désinstaller l'appareil.

Le non-respect de cette instruction peut causer une blessure au dos ou d'autre blessure.

1. Ôter les matériaux d'emballage, le ruban adhésif et le film protecteur de la cuisinière.
2. Retirer les grilles de four et le sachet de pièces de l'intérieur du four.

<sup>†</sup>TEFLON est une marque déposée de Chemours.

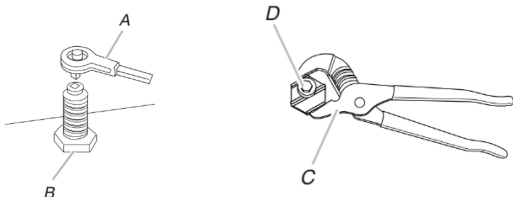
3. Ne pas enlever la base d'expédition pour l'instant.



A. Base d'expédition

**4. Sur les cuisinières équipées d'un tiroir de remisage :**

Retirer le tiroir de remisage. Voir la section "Tiroir de remisage". Déployer les pieds de nivellement arrière d'un demi-tour; utiliser une clé à cliquet de 1/4 po (6,4 mm). Déployer les pieds de nivellement avant d'un demi-tour; utiliser une clé ou une pince.



A. Clé à cliquet de 1/4 po (6,4 mm)

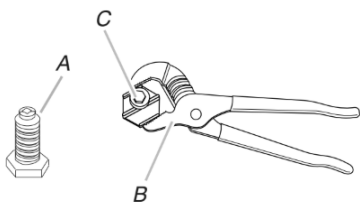
C. Clé ou pince

B. Pied de nivellement arrière

D. Pied de nivellement avant

**Sur les cuisinières équipées d'un tiroir-réchaud ou tiroir de remisage de qualité supérieure :**

Sur les cuisinières équipées d'un tiroir-réchaud ou d'un tiroir de remisage de qualité supérieure, on ne peut pas accéder aux pieds arrière en retirant le tiroir-réchaud ou tiroir de remisage de qualité supérieure. Les pieds arrière doivent être réglés depuis l'extérieur de la cuisinière. Déployer les pieds de nivellement avant et arrière d'un demi-tour; utiliser une clé ou une pince.



A. Pied de nivellement arrière

B. Clé ou pince

C. Pied de nivellement avant

## Installation de la bride antibasculement

### ⚠ AVERTISSEMENT



#### Risque de basculement

**Une personne, enfant ou adulte, peut faire basculer la cuisinière et subir des blessures mortelles.**

**Fixer la bride antibasculement au plancher ou au mur, conformément aux instructions d'installation.**

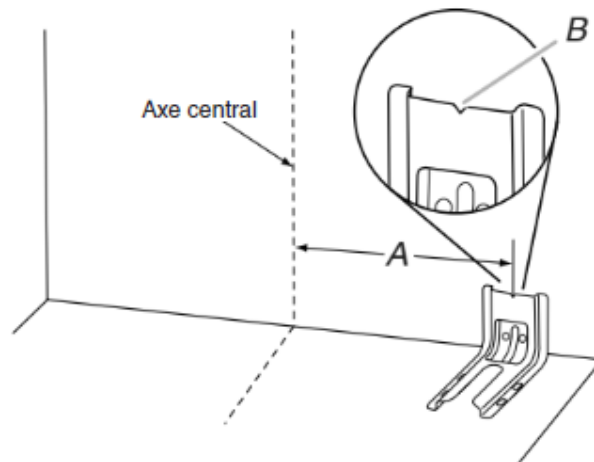
**Faire glisser de nouveau la cuisinière de façon à ce que le pied arrière de la cuisinière se trouve dans la fente de la bride antibasculement.**

**Réengager la bride antibasculement si la cuisinière a été déplacée.**

**Ne pas faire fonctionner la cuisinière si la bride antibasculement n'est pas installée et engagée.**

**Le non-respect de ces instructions peut causer un décès ou des brûlures graves aux enfants et aux adultes.**

1. Ôter la bride antibasculement fixée par du ruban adhésif à l'intérieur du tiroir de remisage ou du tiroir-réchaud ou tiroir de remisage de qualité supérieure.
2. Déterminer la méthode de montage à utiliser : au plancher ou au mur. Pour un plancher en pierre ou en briquetage, on peut utiliser la méthode de montage au mur. En cas d'installation de la cuisinière dans une résidence mobile, il est impératif de fixer la cuisinière au sol.
3. Déterminer et marquer l'axe central de l'espace à découper. La bride de montage peut être installée du côté gauche ou droit de la découpe. Positionner la bride de montage contre le mur dans l'ouverture à découper de façon à ce que l'encoche en V de la bride se trouve à 12 9/16 po (3,9 cm) de l'axe central, tel qu'illustré.

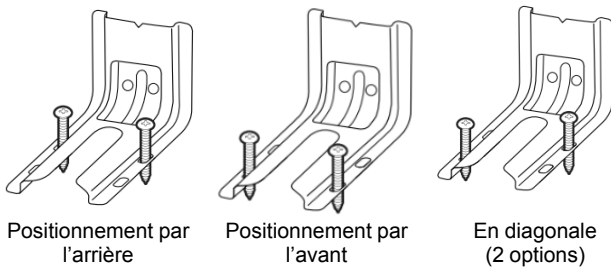


A. 12 9/16 po (31,9 cm)

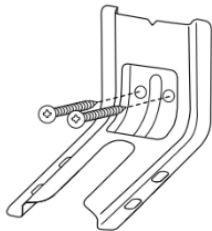
B. Encoche en V de la bride

4. Percer deux trous de 1/8 po (3 mm) qui correspondent aux trous de la bride selon la méthode de montage déterminée. Voir les illustrations suivantes.

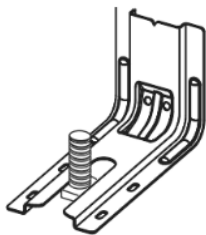
#### Montage au plancher



#### Montage mural



5. À l'aide du tournevis cruciforme, monter la bride antibasculement sur le mur ou sur le plancher avec les deux vis n° #12 x 1 5/8 po (4,1 cm) fournies.
6. Rapprocher suffisamment la cuisinière de l'ouverture pour permettre le raccordement électrique et le raccordement final au gaz. Retirer la base d'expédition, le carton ou le panneau de fibres dur de sous la cuisinière.
7. Placer la cuisinière dans son emplacement final en s'assurant que le pied de nivellement arrière glisse dans la bride antibasculement.



8. Déplacer la cuisinière vers l'avant sur la base de sa boîte d'expédition, sur une planche en carton ou en matériau de fibres dur pour poursuivre l'installation de la cuisinière à l'aide des instructions d'installation suivantes.

## Raccordement au gaz

### ⚠ AVERTISSEMENT



#### Risque d'explosion

Utiliser une canalisation neuve d'arrivée de gaz approuvée par la CSA International.

Installer un robinet d'arrêt.

Bien serrer chaque organe de connexion de la canalisation de gaz.

En cas de connexion au gaz propane, demander à une personne qualifiée de s'assurer que la pression de gaz ne dépasse pas 14 po (36 cm) dans la colonne d'eau.

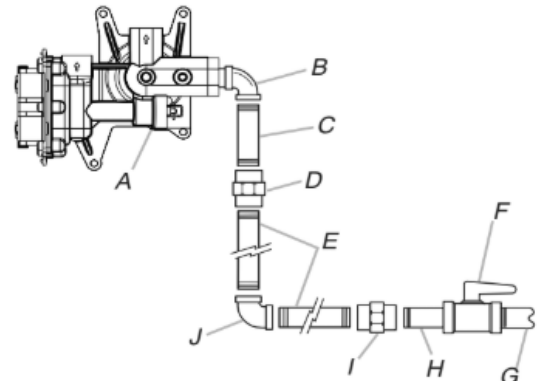
Par personnel qualifié, on entend : personnel agréé de chauffage, personnel agréé d'une compagnie de gaz, et personnel d'entretien agréé.

Le non-respect de ces instructions peut causer un décès, une explosion ou un incendie.

#### Raccordement typique à une canalisation rigide

On doit utiliser une combinaison de raccords pour raccorder la cuisinière à la canalisation de gaz existante. La configuration de connexion sera variable, selon les caractéristiques de la canalisation d'alimentation (type, taille et position).

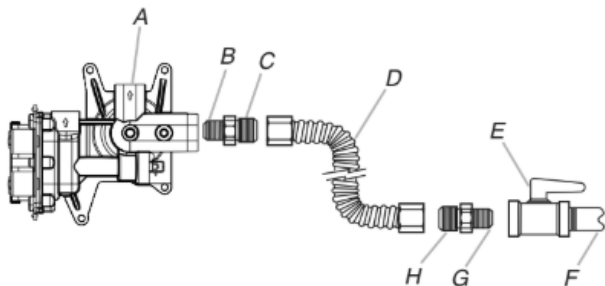
1. Sur chaque connexion filetée, appliquer un composé d'étanchéité résistant au propane.
2. Utiliser une clé pour serrer tous les raccords entre la cuisinière et la canalisation de gaz.



- |  |  |
|--|--|
| A. Détendeur   | F. Robinet d'arrêt manuel                          |
| B. Coude à 90° (avec filetage mâle de 1/2 po (1,3 cm)) | G. Tuyau de gaz 1/2 po (1,3 cm) ou 3/4 po (1,9 cm) |
| C. Raccord droit                                       | H. Raccord droit                                   |
| D. Raccord   | I. Raccord   |
| E. Tuyau de fer noir                                   | J. Coude à 90°                                     |

## Raccordement typique par raccord flexible

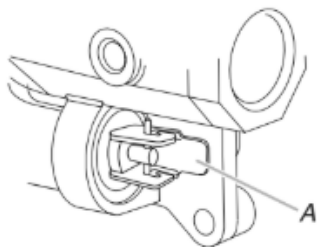
1. Appliquer un composé d'étanchéité de filetage résistant au propane sur l'extrémité filetée la plus petite des adaptateurs de raccord flexible (voir B et G dans l'illustration ci-dessous).
2. Fixer un raccord d'adaptation sur le détendeur et l'autre raccord d'adaptation sur le robinet d'arrêt de la canalisation de gaz. Serrer les deux raccords d'adaptation en s'assurant de ne pas déplacer le détendeur.
3. À l'aide d'une clé mixte de 15/16 po (2,4 cm) et d'une clé à molette, visser le raccord flexible sur les raccords d'adaptation.



- |   |   |
|---|---|
| A. Détendeur  | E. Robinet d'arrêt manuel                             |
| B. Appliquer un composé d'étanchéité                            | F. Tuyau de gaz de 1/2 po (1,3 cm) ou 3/4 po (1,9 cm) |
| C. Raccord d'adaptation (avec filetage mâle de 1/2 po (1,3 cm)) | G. Appliquer un composé d'étanchéité                  |
| D. Raccord flexible   | H. Raccord d'adaptation                               |

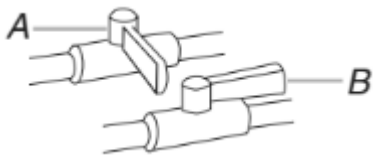
## Compléter le raccordement

1. Vérifier que le robinet d'arrêt du détendeur est à la position "on" (ouvert).



A. Robinet d'arrêt du détendeur montré à la position "on" (ouvert)

2. Ouvrir le robinet d'arrêt manuel sur la canalisation de gaz. Le robinet est ouvert lorsque la manette est parallèle au tuyau.

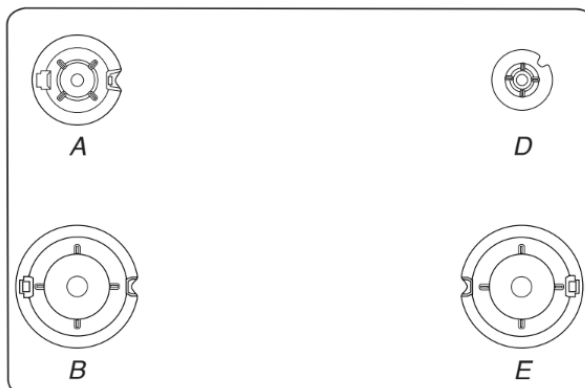


A. Robinet d'arrêt fermé  
B. Robinet d'arrêt ouvert

3. Effectuer une recherche des fuites : appliquer au pinceau sur les connexions une solution approuvée non corrosive de détection des fuites; la formation de bulles identifiera une fuite. Éliminer toute fuite constatée.

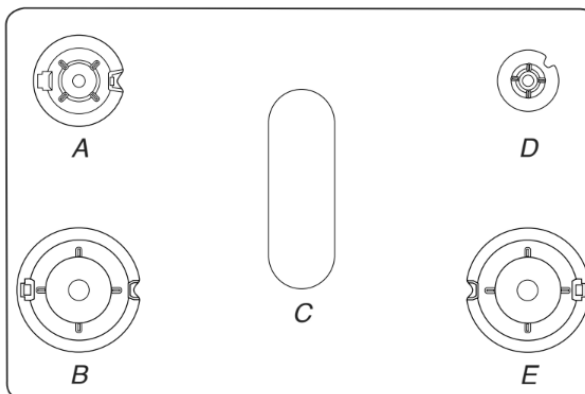
4. Ôter les chapeaux et les bases de brûleur de la table de cuisson du sachet de pièces. Placer les bases de brûleur comme indiqué dans l'illustration suivante correspondant à votre modèle :

### Pour modèles à 4 brûleurs :



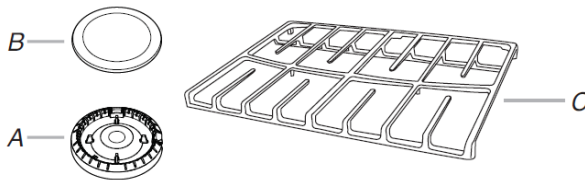
A. Moyen  
B. Grand  
D. Petit  
E. Grand

### Pour modèles à 5 brûleurs :



A. Moyen  
B. Grand  
C. Ovale  
D. Petit  
E. Grand

5. Un chapeau de brûleur correctement placé doit être horizontal. Si les chapeaux de brûleur ne sont pas correctement installés, les brûleurs de surface ne s'allumeront pas. Placer les grilles de brûleur sur les brûleurs et chapeaux.



A. Base du brûleur  
B. Chapeau de brûleur  
C. Grille du brûleur



- Placer les chapeaux de brûleur sur les bases de brûleurs appropriées.

**IMPORTANT :** Les dessous des chapeaux petit et moyen sont différents. Ne pas placer un chapeau de la taille incorrecte sur la base du brûleur. Chaque chapeau de brûleur rond porte la marque AUX, SR, UR pour correspondre avec la marque sur la base du brûleur.



Petit chapeau  
(Auxiliaire)



Chapeau moyen  
(Semi-rapide)



Grand chapeau  
(Ultra rapide)

## ⚠ AVERTISSEMENT



### Risque de choc électrique

**Brancher l'appareil sur une prise à 3 alvéoles reliée à la terre.**

**Ne pas enlever la prise de liaison à la terre.**

**Ne pas utiliser d'adaptateur.**

**Ne pas utiliser de rallonge.**

**Le non-respect de ces instructions peut causer un décès, un incendie ou un choc électrique.**

- Brancher l'appareil sur une prise à 3 alvéoles reliée à la terre.
- Déplacer la cuisinière vers son emplacement définitif en s'assurant que le pied de nivellement arrière glisse dans les fentes de la bride antibasculement.

## Vérifier que la bride antibasculement est bien installée et engagée

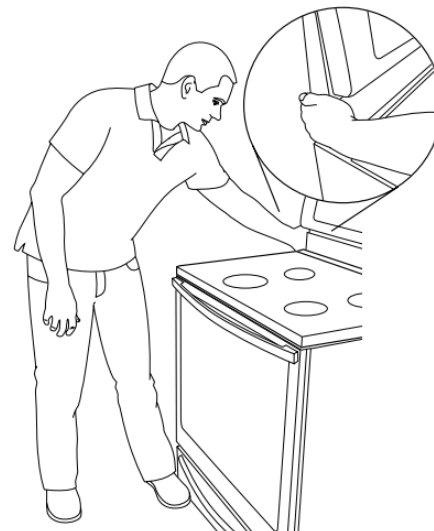
### Sur les modèles avec tiroir de remisage :

- Retirer le tiroir de remisage. Voir la section "Tiroir de remisage".
- Au moyen d'une torche électrique, inspecter le dessous de la cuisinière.
- Inspecter la cuisinière pour vérifier que le pied arrière de la cuisinière se trouve dans la fente de la bride antibasculement.

### Sur les modèles avec tiroir-réchaud ou tiroir de remisage de qualité supérieure :

- Placer l'extérieur du pied contre la partie inférieure avant du tiroir-réchaud ou tiroir de remisage de qualité supérieure et saisir le côté inférieur droit ou gauche du tableau de commande tel qu'indiqué.

**REMARQUE :** Si le plan de travail comporte un dosseret, il faudra peut-être saisir la cuisinière plus haut que ce qu'indique l'illustration.



- Tenter d'incliner la cuisinière vers l'avant avec précaution. Si vous rencontrez une résistance immédiate, cela signifie que le pied de la cuisinière est engagé dans la bride antibasculement.
- Si l'arrière de la cuisinière se soulève de plus de 1/2 po (1,3 cm) du plancher sans opposer de résistance, cesser d'incliner la cuisinière et la reposer doucement sur le plancher. Le pied de la cuisinière n'est pas engagé dans la bride antibasculement.

**IMPORTANT :** Si l'on entend un claquement ou un bruit d'éclatement lorsqu'on soulève la cuisinière, cela signifie peut-être que la cuisinière n'est pas bien engagée dans la bride. Vérifier qu'aucune obstruction n'empêche la cuisinière de glisser vers le mur ou le pied de la cuisinière de glisser dans la bride. Vérifier que la bride est fermement maintenue en place par les vis de montage.

- Glisser la cuisinière vers l'avant et vérifier que la bride antibasculement est bien fixée au plancher ou au mur.
- Faire glisser de nouveau la cuisinière de façon à ce que le pied arrière de la cuisinière se trouve dans la fente de la bride antibasculement.

**IMPORTANT :** Si l'arrière de la cuisinière se trouve à plus de 2 po (5,1 cm) du mur de montage, cela signifie que le pied arrière de la cuisinière n'est pas engagé dans la bride. Glisser la cuisinière vers l'avant et déterminer si un objet fait obstruction entre la cuisinière et la paroi de montage. Les modifications apportées à l'alimentation en gaz doivent être effectuées par un dépanneur qualifié. Si vous avez besoin d'aide ou d'un entretien, consulter le Guide de démarrage rapide pour obtenir les coordonnées.

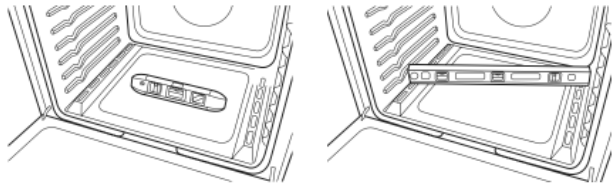
- Répéter les étapes 1 et 2 pour s'assurer que le pied de la cuisinière est bien engagé dans la bride antibasculement. Si l'arrière de la cuisinière se soulève de plus de 1/2 po (1,3 cm) du plancher sans opposer de résistance, cela peut signifier que la bride antibasculement n'est pas correctement installée. Ne pas faire fonctionner la cuisinière si la bride antibasculement n'est pas installée et engagée. Si vous avez besoin d'aide ou d'un entretien, consulter le Guide de démarrage rapide pour obtenir les coordonnées.

## Réglage de l'aplomb de la cuisinière

Déterminer si vous possédez la technologie AquaLift® ou Steam Clean (nettoyage à la vapeur) en consultant la section "Entretien de la cuisinière."

### Pour les cuisinières équipées de la technologie AquaLift® ou Steam Clean

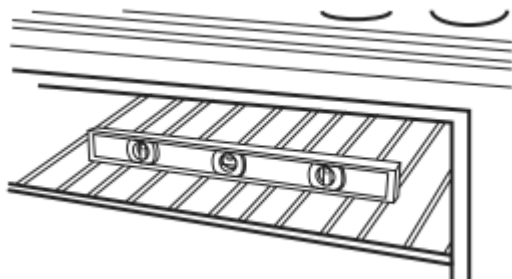
1. En fonction de la taille du niveau, placer le niveau sur le bas du four tel qu'indiqué dans l'une des deux figures ci-dessous. Contrôler l'aplomb transversal et dans le sens avant/arrière.



2. Si la cuisinière n'est pas d'aplomb, la tirer vers l'avant jusqu'à ce que le pied de nivellement arrière se dégage de la bride antibasculement.
3. Suivre les instructions fournies pour le type 1 ou 2, en fonction du type de tiroir fourni avec la cuisinière.

### Pour les cuisinières dépourvues de la technologie AquaLift® ou Steam Clean

1. Placer une grille standard dans le four.
2. Placer un niveau sur la grille et contrôler l'aplomb de la cuisinière, d'abord transversalement, puis dans le sens avant/arrière.



3. Si la cuisinière n'est pas d'aplomb, la tirer vers l'avant jusqu'à ce que le pied de nivellement arrière se dégage de la bride antibasculement.
4. Suivre les instructions fournies pour le type 1 ou 2, en fonction du type de tiroir fourni avec la cuisinière.

### Style 1 : Sur les cuisinières équipées d'un tiroir de remisage :

Utiliser une clé à cliquet de 1/4 po (6,4 cm), une clé ou une pince pour régler les pieds de nivellement vers le haut ou vers le bas jusqu'à ce que la cuisinière soit d'aplomb. Repousser la cuisinière pour la remettre en place. Vérifier que le pied de nivellement arrière est engagé dans la bride antibasculement.

### Style 2 : Sur les cuisinières équipées d'un tiroir-réchaud ou tiroir de remisage de qualité supérieure :

Utiliser une clé ou une pince pour régler les pieds de nivellement vers le haut ou vers le bas jusqu'à ce que la cuisinière soit d'aplomb. Repousser la cuisinière pour la remettre en place. Vérifier que le pied de nivellement arrière est engagé dans la bride antibasculement.

**REMARQUE :** La cuisinière doit être d'aplomb pour que les résultats de cuisson au four soient satisfaisants et les résultats de nettoyage idéaux avec les fonctions de technologie AquaLift® et Steam Clean .

## Système d'allumage électronique

### Allumage initial et réglages des flammes de gaz

Un système d'allumage électronique est utilisé à la place des flammes de veille usuelles pour l'allumage des brûleurs (table de cuisson et four). Lorsqu'on place le bouton de commande d'un brûleur de la table de cuisson à la position "LITE" (allumage), le système génère des étincelles pour l'allumage du brûleur. La génération d'étincelles se poursuit aussi longtemps que le bouton de commande est laissé à la position "LITE".

Lorsqu'on place le bouton de commande du brûleur du four à la position désirée, les étincelles générées provoquent l'inflammation du gaz. No sparking occurs. The glow bar remains on while the burner operates.

### Contrôle du fonctionnement des brûleurs de la table de cuisson

#### Brûleurs standard de la table de cuisson

Enfoncer et tourner chaque bouton de commande du brûleur à la position "LITE".

Les flammes doivent s'allumer sur le brûleur en moins de 4 secondes. Lors de l'allumage initial, le délai d'allumage peut être supérieur à 4 secondes du fait de la présence d'air dans la canalisation de gaz.

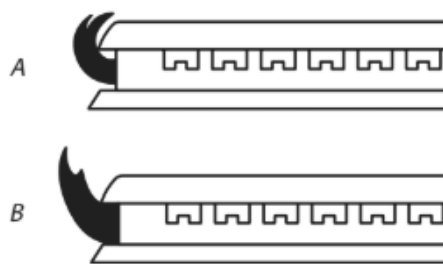
#### Si les brûleurs ne s'allument pas correctement :

- Tourner le bouton de commande de la table de cuisson à la position d'arrêt.
- Vérifier que la cuisinière est branchée. Vérifier qu'aucun fusible n'est grillé et que le disjoncteur ne s'est déclenché. Vérifier que chaque robinet d'arrêt de gaz est ouvert.
- Vérifier que chaque robinet d'arrêt est ouvert.
- Vérifier que les chapeaux de brûleur sont correctement placés sur les bases des brûleur.

Répéter le processus de mise en marche. Si à ce stade, l'un des brûleurs ne s'allume toujours pas, tourner les boutons de commande à la position d'arrêt et contacter le revendeur ou un dépanneur agréé.

### Réglage de la taille des flammes

Régler la taille des flammes sur les brûleurs supérieurs de la table de cuisson. Pour le réglage au débit thermique minimum, on doit observer des flammes stables bleues d'une hauteur de 1/4 po (6,4 mm) environ.



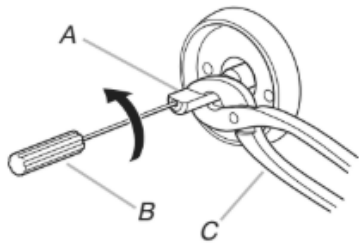
A. Débit thermique minimum  
B. Débit thermique maximum

#### Réglage des brûleurs standard :

La vis de réglage au centre de la tige de commande du robinet permet de régler la taille des flammes. La tige de commande est située directement au-dessous du bouton de commande.



**S'il est nécessaire de régler la taille des flammes pour le débit thermique minimum :**

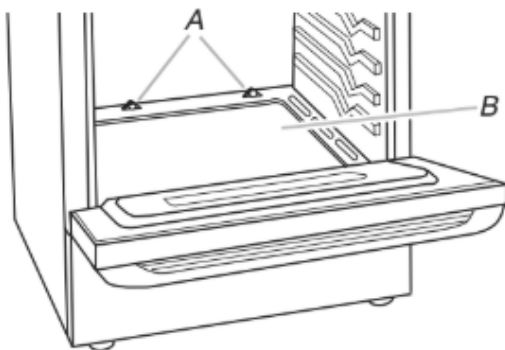


A. Tige du bouton de commande  
B. Tournevis  
C. Pince

1. Allumer un brûleur et tourner pour obtenir le réglage le plus faible.
2. Ôter le bouton de commande.  
Immobiliser la tige de commande du bouton avec une pince. Utiliser un petit tournevis à lame plate pour faire tourner la vis située au centre de la tige de commande; ajuster les flammes à la taille désirée.
3. Réinstaller le bouton de commande.
4. Tester les flammes en tournant le bouton de commande de la position "LO" (basse) à la position "HI" (élevée), observer les flammes pour chaque réglage et s'assurer qu'elles sont stables.
5. Répéter cette procédure pour chacun des brûleurs.

### Contrôle du fonctionnement du brûleur de cuisson au four

1. Ôter la grille du four.
2. Pour retirer la partie inférieure du four : Ôter 2 vis à l'arrière de la partie inférieure du four. Soulever l'arrière de la partie inférieure du four vers le haut et l'arrière jusqu'à ce que l'avant du panneau se trouve hors du cadre avant. Le retirer du four et placer la plaque de couverture sur une surface protégée.



A. Vis  
B. Partie inférieure du four

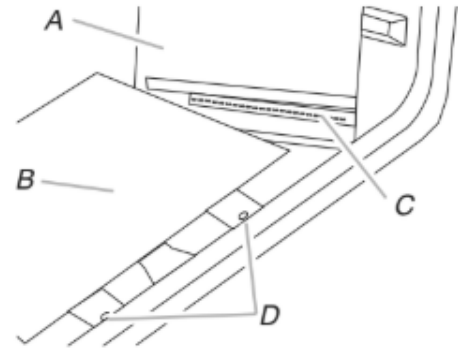
3. Pour vérifier la flamme du brûleur, ôter le répartiteur de flammes ou utiliser un miroir.

#### Pour ôter le répartiteur de flammes :

Ôter 2 vis des volets avant du répartiteur de flammes. Soulever l'avant du répartiteur de flammes et tirer vers l'avant pour retirer les volets de l'arrière du four.

#### Utilisation d'un miroir :

Insérer un miroir sur un côté du brûleur. Regarder dans le miroir pour vérifier la flamme.



A. Miroir  
B. Répartiteur de flammes  
C. Réfléchissement de la flamme  
D. 2 vis

4. Appuyer sur la touche BAKE (cuisson au four).
5. Appuyer sur la touche START (mise en marche).

Le brûleur du four devrait s'allumer en moins de 8 secondes; dans certaines conditions, l'allumage peut ne survenir qu'après 50 à 60 secondes.

Un dispositif d'allumage électronique est utilisé pour l'allumage des brûleurs du four et du gril.

Consulter le Guide de démarrage rapide et le Guide de commande en ligne pour connaître le bon fonctionnement des commandes du four.

### Panne de courant

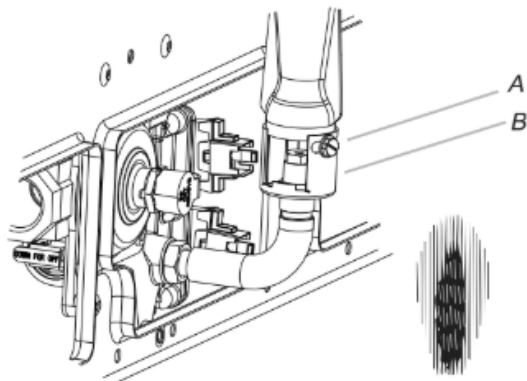
En cas de panne de courant prolongée, les brûleurs de surface peuvent être allumés manuellement. Tenir une allumette allumée près d'un brûleur et tourner le bouton dans le sens antihoraire à LITE (allumage). Une fois le brûleur allumé, tourner le bouton au réglage souhaité.

### Réglage de la taille des flammes sur le brûleur de cuisson au four (le cas échéant)

1. Sur les modèles avec tiroir-réchaud, retirer la plaque de fermeture de l'ouverture d'accès (1 vis) située à l'arrière du compartiment du tiroir-réchaud.
2. Observer les flammes sur le brûleur de cuisson au four pour déterminer si un réglage est nécessaire.

Il doit y avoir sur le brûleur des flammes comportant un cône interne bleu-vert de 1/2 po (1,3 cm) et une zone externe bleu foncé; la forme des flammes doit être nette et douce. On ne doit pas observer de pointes jaunes, ni d'effet de soufflage ou de séparation entre les flammes et le brûleur.

3. S'il est nécessaire de régler la taille des flammes, identifier la virole de réglage de l'admission d'air près du centre/à l'arrière de la cuisinière. Desserrer la vis de blocage et faire tourner la virole pour établir des flammes de configuration correcte. Resserrer la vis de blocage de la virole.



A. Vis de blocage  
B. Virole de réglage de l'admission d'air

4. Appuyer sur la touche CANCEL/OFF (annulation/arrêt) une fois terminé.
5. Réinstaller le répartiteur de flammes et la plaque de couverture du brûleur de four.

### Contrôle du fonctionnement du brûleur du grill

1. Fermer la porte du four.
2. Appuyer sur la touche BROIL (gril).
3. Appuyer sur la touche START (mise en marche).

Le brûleur du four devrait s'allumer en moins de 8 secondes; dans certaines conditions, l'allumage peut ne survenir qu'après 50 à 60 secondes.

Consulter le Guide de démarrage rapide et le Guide de commande en ligne pour connaître le bon fonctionnement des commandes du four.

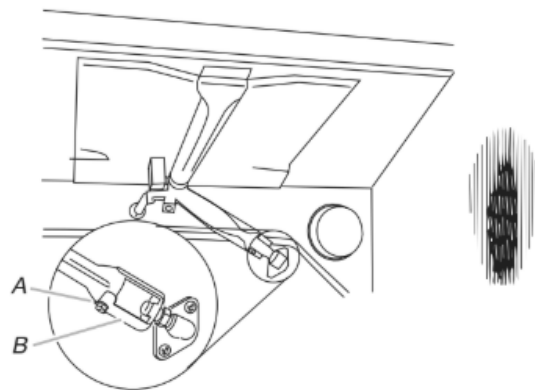
### Réglage de la taille des flammes sur le brûleur du grill (le cas échéant)

Examiner les flammes sur le brûleur du grill à travers le hublot du four. Il doit y avoir sur le brûleur des flammes comportant un cône interne bleu-vert de 1/2 po (1,3 cm) et une zone externe bleu foncé; la forme des flammes doit être nette et douce. On ne doit pas observer de pointes jaunes, ni d'effet de soufflage ou de séparation entre les flammes et le brûleur.

#### S'il est nécessaire de régler la taille des flammes :

1. Desserrer la vis de blocage de la virole de réglage de l'admission d'air, à l'arrière du brûleur du grill.
2. Régler l'admission d'air selon le besoin.

3. Resserrer la vis de blocage.



A. Vis de blocage  
B. Virole de réglage de l'admission d'air

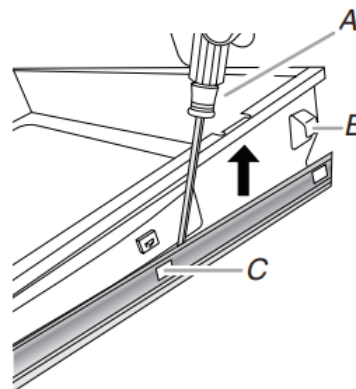
4. Appuyer sur la touche CANCEL/OFF (annulation/arrêt) une fois terminé.

## Tiroir-réchaud ou tiroir de remisage de qualité supérieure (sur certains modèles)

Enlever tous les articles de l'intérieur du tiroir de cuisson au four, tiroir-réchaud ou tiroir de remisage de qualité supérieure et laisser la cuisinière refroidir complètement avant d'essayer d'enlever le tiroir.

#### Dépose :

1. Ouvrir complètement le tiroir.
2. À l'aide d'un tournevis à lame plate, desserrer doucement le tiroir pour le dégager de l'encoche d'alignement de glissière et soulever l'onglet d'alignement du tiroir pour le dégager de la glissière.

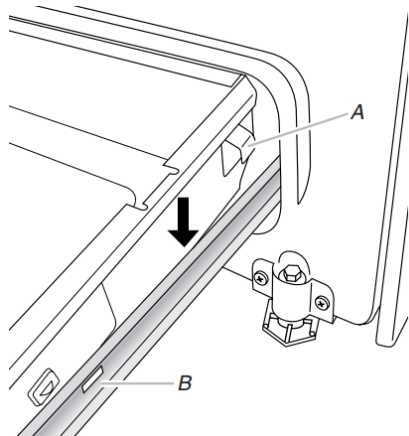


A. Tournevis à lame plate  
B. Onglet d'alignement du tiroir  
C. Encoche de glissière du tiroir

3. Répéter l'étape 2 pour l'autre côté. Le tiroir n'est plus fixé aux glissières de tiroir. Avec les deux mains, saisir le tiroir pour le retirer complètement.

### Réinstallation :

1. Aligner les encoches de l'avant du tiroir avec les encoches des glissières latérales à l'intérieur du tiroir (de chaque côté). Placer les onglets d'alignement arrière dans les glissières de tiroir (de chaque côté).



A. Onglet d'alignement du tiroir  
B. Encoche de glissière du tiroir

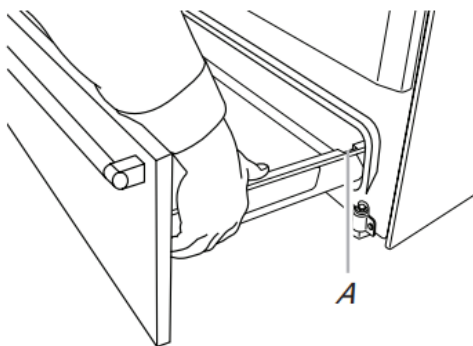
2. Pousser le tiroir complètement.
3. Ouvrir et fermer délicatement le tiroir pour s'assurer qu'il est bien engagé dans les glissières (de chaque côté).

## Tiroir de remisage (sur certains modèles)

Le tiroir de remisage peut être enlevé. Avant de l'enlever, s'assurer que le tiroir est froid et vide.

### Dépose :

1. Tirer le tiroir de remisage en ligne droite vers l'arrière jusqu'à la butée du tiroir.



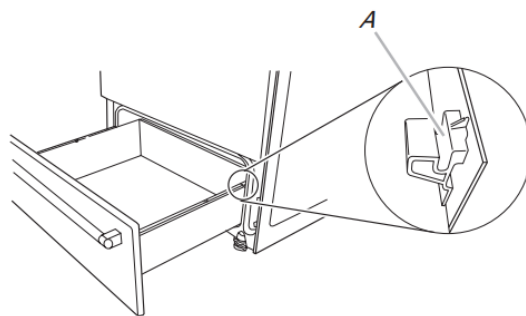
A. Encoche de la butée du tiroir

2. Soulever l'avant du tiroir et retirer ce dernier.

### Réinstallation :

1. Soulever l'avant du tiroir et placer l'arrière du tiroir dans la cuisinière de façon à ce que l'encoche de butée du tiroir se trouve derrière la glissière du tiroir.
2. Abaisser le tiroir de façon à ce que le bord de la glissière s'insère dans l'encoche de la glissière de tiroir.

3. Enfoncer lentement le tiroir dans la cuisinière.



A. Engager la glissière du tiroir.

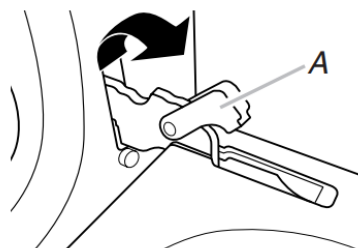
**REMARQUE :** Lorsque le tiroir est correctement installé, les glissières de la base s'engagent dans les glissières arrière du fond du tiroir et le tiroir lui-même ne s'incline pas lorsqu'on place des objets à l'intérieur.

## Porte du four

Il n'est pas recommandé d'enlever la porte du four pour une utilisation normale. Toutefois, si la dépose est nécessaire, s'assurer que le four est éteint et froid. Puis, suivre ces instructions. La porte du four est lourde.

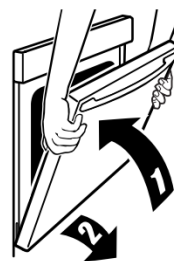
### Dépose :

1. Ouvrir la porte du four complètement.
2. Pincer le loquet de charnière entre les deux doigts et tirer vers l'avant. Répéter ces opérations pour l'autre côté de la porte du four.



A. Loquet de charnière

3. Fermer la porte du four aussi loin qu'elle peut aller.
4. Soulever la porte du four en la retenant de chaque côté. Continuer de maintenir la porte du four fermée et la dégager du châssis de la porte du four.



## Réinstallation :

1. Insérer les deux bras de suspension dans la porte.



2. Ouvrir la porte du four.  
Vous devriez entendre un déclic lors de la mise en place de la porte.
3. Remettre les leviers des charnières à la position verrouillée. Effectuer quelques manoeuvres d'ouverture/fermeture de la porte du four pour vérifier le bon fonctionnement. En cas d'impossibilité d'ouverture ou de fermeture parfaite de la porte, répéter le processus de dépose et d'installation de la porte.

## Achever l'installation

1. Vérifier que toutes les pièces sont maintenant installées. S'il reste une pièce inutilisée, passer en revue les différentes étapes pour découvrir laquelle aurait été oubliée.
2. Vérifier la présence de tous les outils.
3. Jeter ou recycler tous les matériaux d'emballage.
4. Contrôler l'aplomb de la cuisinière. Voir "Réglage de l'aplomb de la cuisinière".
5. Utiliser une solution d'eau tiède et de nettoyant ménager liquide doux pour éliminer tout résidu de cire laissé par les matériaux de protection de l'emballage. Sécher parfaitement avec un linge doux. Pour obtenir plus d'informations, consulter la section « Entretien et réparation de la cuisinière »
6. Lire le Guide de démarrage rapide et le Guide de commande en ligne.
7. Mettre en marche les brûleurs de surface et le four. Consulter le Guide de démarrage rapide et le Guide de commande pour obtenir des instructions précises sur le fonctionnement de la cuisinière.  
**Si la cuisinière ne fonctionne pas, contrôler ce qui suit :**
  - Le fusible du domicile est intact et bien serré, ou le disjoncteur ne s'est pas déclenché.
  - La cuisinière est branchée directement sur une prise de courant à 3 alvéoles, reliée à la terre.
  - Le robinet d'arrêt du détendeur est à la position "marche".
  - Le raccordement de l'alimentation électrique a été effectué.
  - Consulter la section « Dépannage » en ligne.
8. Après 5 minutes de fonctionnement de la cuisinière, évaluer le niveau de chaleur. Si la cuisinière est froide, arrêter la cuisinière et déterminer si le robinet d'arrêt d'alimentation en gaz est ouvert.
  - Si le robinet d'arrêt de l'alimentation en gaz est fermé, l'ouvrir, puis répéter le test de 5 minutes décrit ci-dessus.
  - Si le robinet d'arrêt de l'alimentation en gaz est ouvert, appuyer sur le bouton CANCEL (annulation) sur le tableau de commande du four et contacter un technicien qualifié.

### Si vous avez besoin d'assistance ou de service :

Consulter le Guide de démarrage rapide pour obtenir les coordonnées.

## CONVERSIONS POUR CHANGEMENT DE GAZ

Les conversions pour changement du gaz naturel au propane ou du propane au gaz naturel doivent être effectuées par un installateur qualifié.

### ⚠ AVERTISSEMENT



#### Risque d'explosion

Utiliser une canalisation neuve d'arrivée de gaz approuvée par la CSA International.

Installer un robinet d'arrêt.

Bien serrer chaque organe de connexion de la canalisation de gaz.

En cas de connexion au gaz propane, demander à une personne qualifiée de s'assurer que la pression de gaz ne dépasse pas 14 po (36 cm) dans la colonne d'eau.

Par personnel qualifié, on entend : personnel agréé de chauffage, personnel agréé d'une compagnie de gaz, et personnel d'entretien agréé.

Le non-respect de ces instructions peut causer un décès, une explosion ou un incendie.

### ⚠ AVERTISSEMENT:

**Cet ensemble de conversion doit être installé par un organisme de service qualifié, conformément aux directives du fabricant ainsi qu'à tous les codes applicables et à toutes les exigences des autorités compétentes. Si les directives ne sont pas suivies à la lettre, un incendie, une explosion ou une émission de monoxyde de carbone pourrait se produire et entraîner des dommages matériels et des blessures graves ou mortelles. L'organisme de service qualifié est responsable de l'installation appropriée de cet ensemble de conversion. L'installation n'est pas considérée adéquate et complète tant que le fonctionnement de l'appareil converti n'a pas été vérifié, conformément aux directives du fabricant fournies avec l'ensemble de conversion.**

# Conversion pour l'alimentation au propane

## ⚠ AVERTISSEMENT



### Risque de basculement

Une personne, enfant ou adulte, peut faire basculer la cuisinière et subir des blessures mortelles.

Fixer la bride antibasculement au plancher ou au mur, conformément aux instructions d'installation.

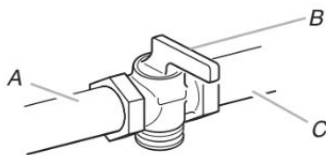
Faire glisser de nouveau la cuisinière de façon à ce que le pied arrière de la cuisinière se trouve dans la fente de la bride antibasculement.

Réengager la bride antibasculement si la cuisinière a été déplacée.

Ne pas faire fonctionner la cuisinière si la bride antibasculement n'est pas installée et engagée.

Le non-respect de ces instructions peut causer un décès ou des brûlures graves aux enfants et aux adultes.

1. Tourner le robinet d'arrêt manuel pour le placer à la position de fermeture.



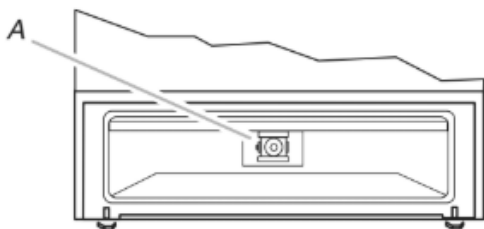
- A. Vers la cuisinière
- B. Robinet d'arrêt manuel à la position "fermée".
- C. Canalisation d'alimentation en gaz

2. Débrancher la cuisinière ou déconnecter la source de courant électrique.

## Conversion du détendeur de gaz (du gaz naturel au gaz propane)

1. Retirer le tiroir de remisage de qualité supérieure, le tiroir-réchaud, ou le tiroir de cuisson. Voir la section "Dépose et repose du tiroir", "Tiroir de remisage" ou "Tiroir-réchaud ou tiroir de remisage de qualité supérieure".
2. Identifier le détendeur à l'arrière du compartiment du tiroir.

**REMARQUE :** Pour les modèles avec tiroir-réchaud ou tiroir de cuisson, on doit enlever le couvercle d'accès au détendeur.

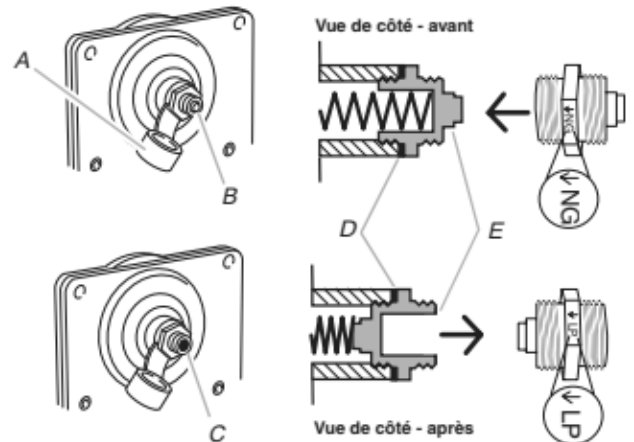


A. Détendeur

**IMPORTANT :** Ne pas enlever le détendeur.

3. Ôter le capuchon en plastique du capuchon du détendeur.
4. Avec une clé mixte de 5/8 po (1,6 cm), tourner le capuchon du détendeur dans le sens antihoraire pour l'enlever.

**REMARQUE :** Ne pas enlever le ressort situé sous le capuchon.

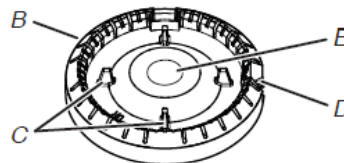
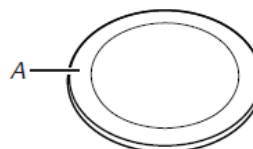


- A. Capuchon en plastique
- B. Capuchon du détendeur; extrémité borgne vers l'extérieur
- C. Capuchon du détendeur; extrémité creuse ouverte vers l'extérieur
- D. Rondelle
- E. Capuchon du détendeur

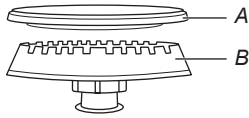
5. Retourner le capuchon du détendeur et le réinstaller sur le détendeur de façon à ce que l'extrémité creuse soit orientée vers l'extérieur et que l'indication "LP" soit orientée de la manière indiquée à l'illustration ci-dessus.
6. Réinstaller le capuchon en plastique par-dessus le capuchon du détendeur.

## Conversion des brûleurs de surface (du gaz naturel au gaz propane)

1. Ôter le chapeau de brûleur.
2. Ôter la base du brûleur.



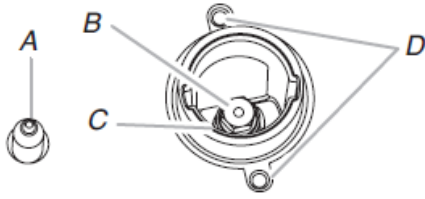
- A. Chapeau de brûleur
- B. Base du brûleur
- C. Tiges d'alignement
- D. Électrode d'allumage
- E. Ouverture du tube d'arrivée de gaz



### Grand brûleur

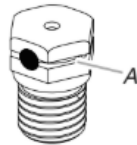
- A. *Chapeau de brûleur*
- B. *Base du brûleur*

3. Appliquer du ruban adhésif de masquage à l'extrémité d'un tourne-écrou de 9/32 po (7 mm) pour retenir le gicleur du brûleur dans le tourne-écrou durant l'extraction. Placer le tourne-écrou sur l'injecteur; tourner dans le sens antihoraire et soulever pour enlever l'injecteur. Conserver à part l'injecteur du brûleur.



- A. *Électrode d'allumage*
- B. *Gicleur*
- C. *Support d'injecteur*
- D. *Vis*

4. Retirer les injecteurs fournis dans le sachet de documentation situé dans le four. Chaque injecteur est marqué d'un code d'identification gravé et comporte une rainure dans la zone hexagonale. Remplacer l'injecteur à orifice pour gaz naturel par le bon injecteur pour gaz propane.



A. *Rainure pour gaz propane*

Consulter le tableau suivant pour connaître le bon positionnement de l'injecteur à orifice pour gaz propane.

#### Injecteurs pour propane – brûleurs de surface

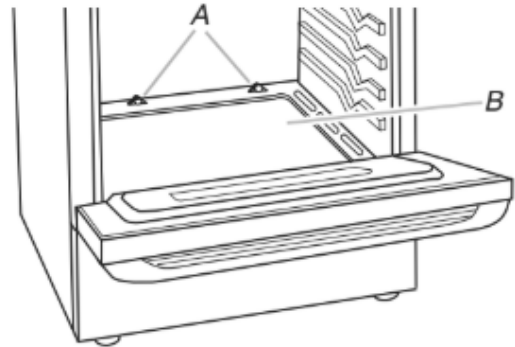
Emplacement	Capacité/type de brûleur	Taille (mm)	Identifiant
GAV	14,200 BTU	1.08	108AM
GAR	8,000 BTU	0.84	084AM
DAV	14,200 BTU	1.08	108AM
DAR	5,000 BTU	0.64	064AM
CD	8,000 BTU	0.84	084AM

**REMARQUE :** Voir la plaque signalétique située sur le châssis du four, derrière le côté supérieur droit de la porte du four pour connaître la taille d'injecteur à orifice à utiliser pour chaque brûleur (selon sa position).

5. Placer l'injecteur à orifice pour gaz naturel sur le porte-injecteur à orifice de carton.  
**IMPORTANT :** Conserver les injecteurs pour gaz naturel au cas où la cuisinière devrait être reconvertie au gaz naturel.
6. Réinstaller la base du brûleur – utiliser les deux vis.
7. Réinstaller le chapeau de brûleur.
8. Répéter les étapes 1 à 7 pour les autres brûleurs.

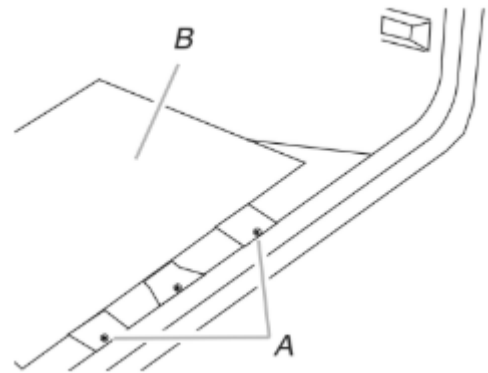
### Conversion du brûleur de cuisson au four (du gaz naturel au gaz propane)

1. Retirer les grilles du four.
2. Ôter 2 vis à l'arrière de la partie inférieure du four.
3. Soulever l'arrière de la partie inférieure du four vers le haut et l'arrière jusqu'à ce que l'avant du panneau se trouve hors du cadre avant. Le retirer du four et le mettre de côté sur une surface couverte.



- A. *Vis*
- B. *Fond du four*

4. Ôter 2 vis des volets avant du répartiteur de flammes. Soulever l'avant du répartiteur de flammes et le tirer vers l'avant pour retirer les onglets de l'arrière du four. Les mettre de côté sur une surface couverte.

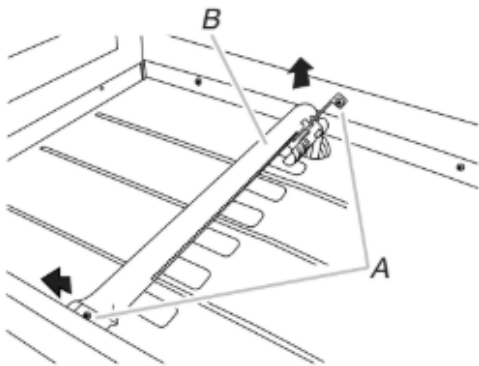


- A. *Vis*
- B. *Répartiteur de flammes*

5. Ôter 2 vis du brûleur de cuisson au four.



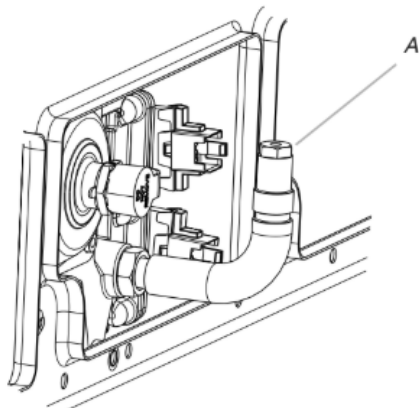
- Faire glisser l'avant du brûleur de cuisson au four sur le côté pour retirer l'onglet de l'avant du four. Retirer l'arrière du brûleur de cuisson au four de l'orifice du four, et mettre le brûleur de cuisson au four de côté sur une surface couverte.



A. Vis  
B. Brûleur de cuisson au four

- Utiliser un tourne-écrou de 3/8 po (9,5 mm) ou une clé mixte et tourner l'injecteur à orifice du brûleur pour gaz naturel dans le sens antihoraire pour l'enlever. L'injecteur à orifice portera la mention "49".
- Remplacer l'injecteur à orifice "49" par un injecteur à orifice "57". Installer l'injecteur à orifice pour gaz propane du brûleur de cuisson au four en le tournant dans le sens horaire jusqu'à ce qu'il soit serré.

**IMPORTANT** : Ne pas serrer excessivement.



A. Injecteur à orifice

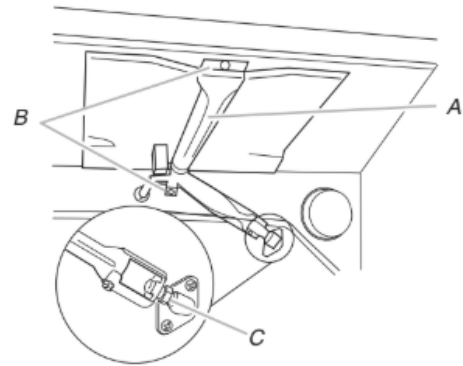
- Positionner l'arrière du brûleur de cuisson au four sur l'orifice du four et insérer l'onglet situé à l'avant du brûleur de cuisson au four dans l'avant du four.
- Réinstaller le brûleur de cuisson au four avec 2 vis.
- Insérer les onglets à l'arrière du répartiteur de flammes dans l'arrière du four.
- Réinstaller les onglets avant du répartiteur de flammes au four avec 2 vis.
- Positionner l'avant du panneau inférieur du four vers le châssis avant et abaisser l'arrière du panneau du fond du four pour l'insérer dans le four.
- Réinstaller le panneau du fond du four avec 2 vis.

### Conversion du brûleur de cuisson au grill (du gaz naturel au gaz propane)

- Ôter 1 vis du brûleur de cuisson au grill.
- Ôter le répartiteur de flammes.

- Retirer le brûleur de cuisson au grill de l'injecteur femelle du brûleur de cuisson au grill.

**REMARQUE** : Le brûleur de cuisson au grill pend à l'arrière du four pendant que l'on change l'injecteur femelle.

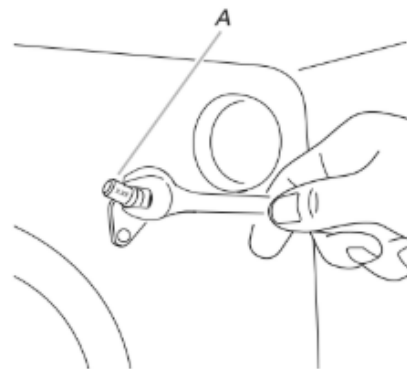


A. Brûleur de cuisson au grill  
B. Vis  
C. Injecteur femelle

- Utiliser une clé mixte de 3/8 po (9,5 mm) pour tourner l'injecteur femelle du brûleur de cuisson au grill pour gaz naturel dans le sens antihoraire pour l'enlever. L'injecteur femelle portera la mention "53".
- Remplacer l'injecteur femelle "53" par un injecteur femelle "090". Installer l'injecteur femelle du brûleur du grill pour gaz naturel en le tournant dans le sens horaire jusqu'à ce qu'il soit serré.

**IMPORTANT** : Ne pas serrer excessivement.

- Placer le brûleur de cuisson au grill sur l'injecteur femelle du brûleur de cuisson au grill et insérer l'allumeur en céramique du brûleur de cuisson au grill dans le trou situé à l'arrière du four.



A. Injecteur femelle

- Positionner le brûleur de cuisson au grill contre la partie supérieure du four et le fixer avec 2 vis.
- Réinstaller le tiroir de remisage, le tiroir-réchaud ou le tiroir de remisage de qualité supérieure. Voir la section "Tiroir de remisage" ou "Tiroir-réchaud ou tiroir de remisage de qualité supérieure".
- Réinstaller la porte du four. Voir la section "Porte du four".
- Réinstaller les grilles du four.



## Achever l'installation (du gaz naturel au gaz propane)

1. Pour le raccordement correct de la cuisinière à l'alimentation en gaz, se reporter à la section "Raccordement au gaz".
2. Pour l'allumage et l'utilisation corrects du brûleur ainsi que le réglage des flammes sur le brûleur, voir la section "Système d'allumage électronique".

**IMPORTANT :** Il peut être nécessaire de modifier le réglage des flammes à la position du débit thermique minimum "LO" pour chaque brûleur de la table de cuisson.

Il est très important de vérifier l'établissement de flammes correctes sur les brûleurs de la table de cuisson, ainsi que sur les brûleurs de cuisson au four et au grill. Le petit cône interne doit comporter une flamme bleue très distincte de 1/4 po (0,64 cm) à 1/2 po (1,3 cm) de longueur. Le cône externe n'est pas aussi distinct que le cône interne. Les flammes d'un brûleur alimenté au propane comportent une pointe légèrement jaune.

3. Voir le paragraphe "Achever l'installation" de la section "Instructions d'installation" du présent manuel pour achever cette procédure.

**REMARQUE :** S'assurer de bien conserver les injecteurs à orifice qui ont été remplacés au cours de la conversion.

## Conversion pour l'alimentation au gaz naturel

### **AVERTISSEMENT**



#### Risque de basculement

**Une personne, enfant ou adulte, peut faire basculer la cuisinière et subir des blessures mortelles.**

**Fixer la bride antibasculement au plancher ou au mur, conformément aux instructions d'installation.**

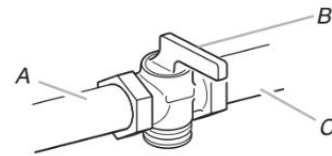
**Faire glisser de nouveau la cuisinière de façon à ce que le pied arrière de la cuisinière se trouve dans la fente de la bride antibasculement.**

**Réengager la bride antibasculement si la cuisinière a été déplacée.**

**Ne pas faire fonctionner la cuisinière si la bride antibasculement n'est pas installée et engagée.**

**Le non-respect de ces instructions peut causer un décès ou des brûlures graves aux enfants et aux adultes.**

1. Tourner le robinet d'arrêt manuel pour le placer à la position de fermeture.



A. Vers la cuisinière

B. Robinet d'arrêt manuel à la position "fermée".

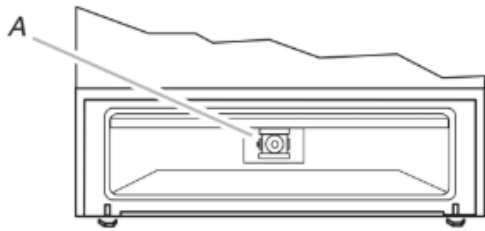
C. Canalisat on d'alimentation en gaz

2. D brancher la cuisini re ou d connecter la source de courant  lectrique.

## Conversion du détendeur de gaz (du gaz propane au gaz naturel)

1. Retirer le tiroir de remisage de qualité supérieure, le tiroir-réchaud, ou le tiroir de cuisson. Voir la section "Dépose et repose du tiroir", "Tiroir de remisage" ou "Tiroir-réchaud ou tiroir de remisage de qualité supérieure".
2. Identifier le détendeur à l'arrière du tiroir de remisage ou du tiroir-réchaud.

**REMARQUE :** Pour les modèles avec tiroir-réchaud, on doit enlever le couvercle d'accès au détendeur.

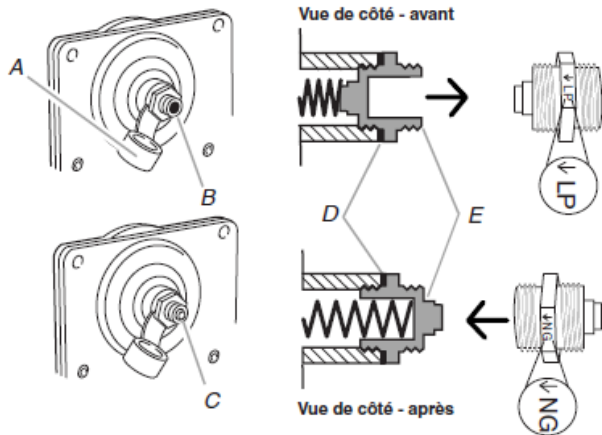


A. Détendeur

**IMPORTANT :** Ne pas enlever le détendeur.

3. Ôter le couvercle de plastique du capuchon du détendeur.
4. Avec une clé mixte de 5/8 po (1,6 cm), tourner le chapeau du détendeur dans le sens antihoraire pour l'enlever.

**REMARQUE :** Ne pas enlever le ressort situé sous le capuchon.

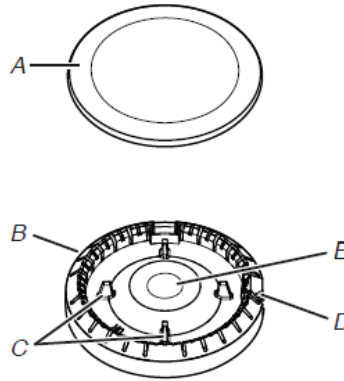


- A. Capuchon en plastique
- B. Capuchon du détendeur; extrémité creuse ouverte vers l'extérieur
- C. Capuchon du détendeur; extrémité borgne vers l'extérieur
- D. Rondelle
- E. Capuchon du détendeur

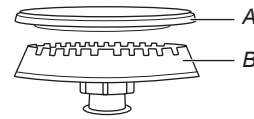
5. Retourner le chapeau du détendeur et le réinstaller sur le détendeur de façon à ce que l'extrémité borgne soit orientée vers l'extérieur et que l'indication "↓NG" soit orientée de la manière indiquée à l'illustration ci-dessus.
6. Réinstaller le couvercle de plastique par-dessus le capuchon du détendeur.

## Conversion des brûleurs de surface (du gaz propane au gaz naturel)

1. Ôter le chapeau de brûleur.
2. Enlever la base du brûleur.



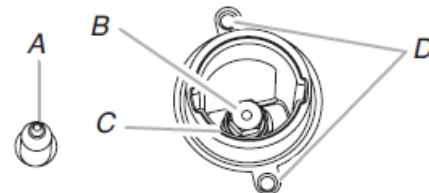
- A. Chapeau de brûleur
- B. Base du brûleur
- C. Tiges d'alignement
- D. Électrode d'allumage
- E. Ouverture du tube d'arrivée de gaz



### Grand brûleur

- A. Chapeau de brûleur
- B. Base du brûleur

3. Appliquer du ruban adhésif de masquage à l'extrémité d'un tourne-écrou de 9/32 po (7 mm) pour retenir le gicleur du brûleur dans le tourne-écrou durant l'extraction. Placer le tourne-écrou sur le gicleur; tourner dans le sens antihoraire et soulever pour enlever le gicleur. Conserver à part le gicleur du brûleur.



- A. Électrode d'allumage
- B. Gicleur
- C. Support d'injecteur
- D. Vis

4. Chaque injecteur est marqué d'un code d'identification gravé sur le côté. Remplacer l'injecteur à orifice pour gaz propane par le bon injecteur pour gaz naturel.



A. Chiffre gravé

Le tableau qui suit permet de sélectionner l'injecteur pour gaz naturel correct pour chaque brûleur.

#### Tableau de sélection des injecteurs pour gaz naturel

Capacité des brûleurs	Taille (mm)	Identifiant
18,000 BTU	2,00	200AM
17,000 BTU	1,96	196AM
15,000 BTU	1,80	180AM
9,500 BTU	1,40	140AM
8,000 BTU	1,30	130AM
5,000 BTU	1,00	100AM

**REMARQUE :** Voir la plaque signalétique située sur le cadre du four, derrière le coin supérieur droit de la porte du four pour connaître la taille d'injecteur à utiliser pour chaque brûleur (selon sa position).

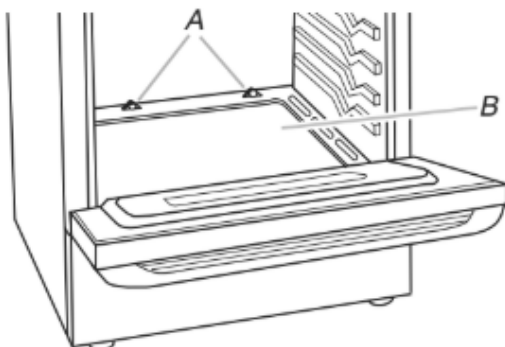
- Placer l'injecteur pour gaz propane dans le sachet à injecteur.

**IMPORTANT :** Conserver les injecteurs pour gaz propane au cas où la cuisinière devrait être reconvertie au gaz propane.

- Réinstaller la base du brûleur à l'aide des deux vis.
- Réinstaller le chapeau de brûleur.
- Répéter les étapes 1 à 7 pour les autres brûleurs.

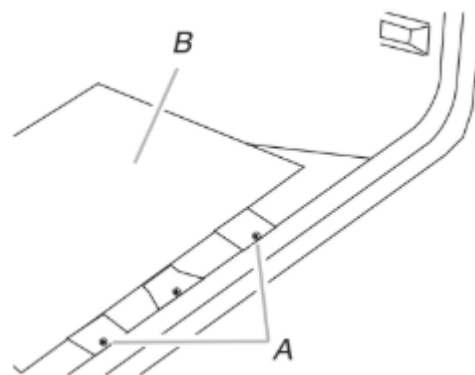
#### Conversion du brûleur de cuisson au four (du gaz propane au gaz naturel)

- Retirer les grilles du four.
- Ôter 2 vis à l'arrière de la partie inférieure du four.
- Soulever l'arrière de la partie inférieure du four vers le haut et l'arrière jusqu'à ce que l'avant du panneau se trouve hors du cadre avant. Le retirer du four et le mettre de côté sur une surface couverte.



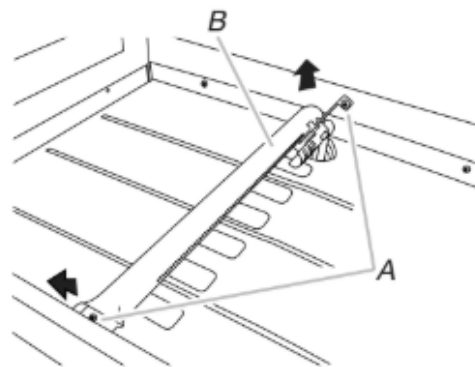
A. Vis  
B. Fond du four

- Ôter 2 vis des volets avant du répartiteur de flammes. Soulever l'avant du répartiteur de flammes et le tirer vers l'avant pour retirer les onglets de l'arrière du four. Les mettre de côté sur une surface couverte.



A. Vis  
B. Répartiteur de flammes

- Ôter 2 vis du brûleur de cuisson au four.
- Faire glisser l'avant du brûleur de cuisson au four sur le côté pour retirer l'onglet de l'avant du four. Retirer l'arrière du brûleur de cuisson au four de l'orifice du four, et mettre le brûleur de cuisson au four de côté.

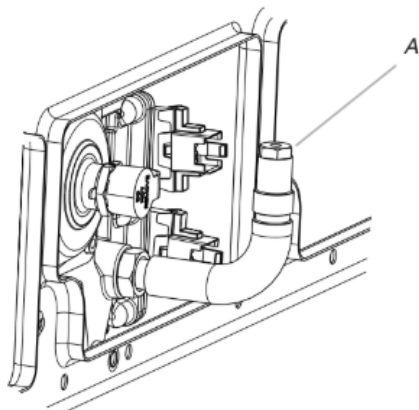


A. Vis  
B. Brûleur de cuisson au four

- Utiliser un tourne-écrou de 3/8 po (9,5 mm) ou une clé mixte et tourner l'injecteur à orifice du brûleur de cuisson au four pour gaz propane dans le sens antihoraire pour l'enlever. L'injecteur à orifice portera la mention "57".

- Remplacer l'injecteur à orifice "57" par un injecteur à orifice "49". Installer l'injecteur à orifice pour gaz naturel du brûleur de cuisson au four en le tournant dans le sens horaire jusqu'à ce qu'il soit serré.

**IMPORTANT :** Ne pas serrer excessivement.



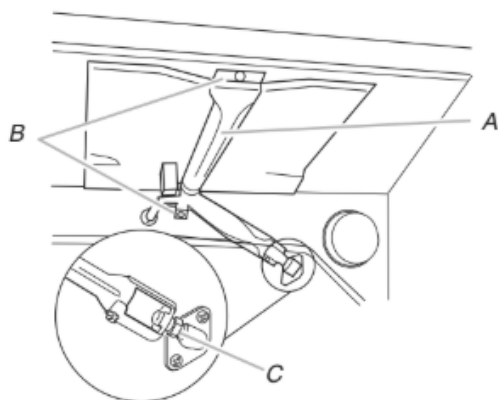
A. Injecteur à orifice

- Positionner l'arrière du brûleur de cuisson au four sur l'orifice du four et insérer l'onglet situé à l'avant du brûleur de cuisson au four dans l'avant du four.
- Réinstaller le brûleur de cuisson au four avec 2 vis.
- Insérer les onglets à l'arrière du répartiteur de flammes dans l'arrière du four.
- Réinstaller les onglets avant du répartiteur de flammes au four avec 2 vis.
- Positionner l'avant du panneau inférieur du four vers le châssis avant et abaisser l'arrière du panneau du fond du four pour l'insérer dans le four.
- Réinstaller le panneau du fond du four avec 2 vis.

### Conversion du brûleur de gril (du gaz propane au gaz naturel)

- Ôter la vis du brûleur de cuisson au gril.
- Retirer le brûleur de cuisson au gril de l'injecteur femelle du brûleur de cuisson au gril.

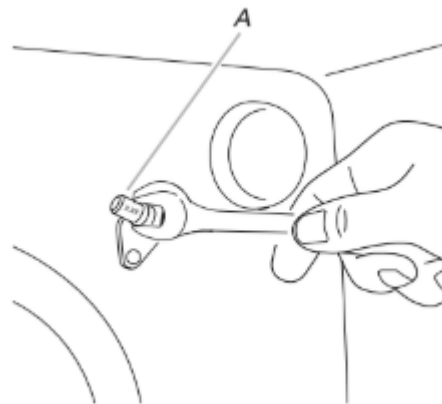
**REMARQUE :** Le brûleur de cuisson au gril pend à l'arrière du four pendant que l'on change l'injecteur femelle..



A. Brûleur de cuisson au gril  
B. Vis  
C. Injecteur femelle

- Utiliser une clé mixte de 3/8 po (9,5 mm) pour tourner l'injecteur femelle du brûleur de cuisson au gril pour gaz propane dans le sens antihoraire pour l'enlever. L'injecteur portera la mention "090".
- Remplacer l'injecteur femelle "090" par un injecteur femelle "53". Installer l'injecteur femelle du brûleur du gril pour gaz naturel en le tournant dans le sens horaire jusqu'à ce qu'il soit serré.

**IMPORTANT :** Ne pas serrer excessivement.



A. Injecteur femelle

- Placer le brûleur de cuisson au gril sur l'injecteur femelle du brûleur de cuisson au gril et insérer l'allumeur en céramique du brûleur de cuisson au gril dans le trou situé à l'arrière du four.
- Positionner le brûleur de cuisson au gril contre la partie supérieure du four et le fixer avec 2 vis.
- Réinstaller le tiroir de remisage, le tiroir-réchaud ou le tiroir de remisage de qualité supérieure. Voir la section "Tiroir de remisage" ou "Tiroir-réchaud ou tiroir de remisage de qualité supérieure".
- Réinstaller la porte du four. Voir la section "Porte du four".
- Réinstaller les grilles du four.

### Achever l'installation (du gaz propane au naturel)

- Pour le raccordement correct de la cuisinière à l'alimentation en gaz, se reporter à la section "Raccordement au gaz".
- Pour l'allumage et l'utilisation corrects du brûleur ainsi que le réglage des flammes sur le brûleur, voir la section "Système d'allumage électronique".

**IMPORTANT :** Il peut être nécessaire de modifier le réglage des flammes à la position du débit thermique minimum "LO" pour chaque brûleur de la table de cuisson.

Il est très important de vérifier l'établissement de flammes correctes sur la table de cuisson. Le petit cône interne doit comporter une flamme bleue très distincte de 1/4 po à 1/2 po (0,64 à 1,3 cm) de longueur. Le cône externe n'est pas aussi distinct que le cône interne. Les flammes d'un brûleur alimenté au propane comportent une pointe légèrement

- Voir le paragraphe "Achever l'installation" de la section "Instructions d'installation" du présent manuel pour achever cette procédure.

**REMARQUE :** S'assurer de bien conserver les injecteurs à orifice qui ont été remplacés au cours de la conversion.

## Déplacement de la cuisinière

### **⚠ AVERTISSEMENT**



#### **Risque de basculement**

**Une personne, enfant ou adulte, peut faire basculer la cuisinière et subir des blessures mortelles.**

**Fixer la bride antibasculement au plancher ou au mur, conformément aux instructions d'installation.**

**Faire glisser de nouveau la cuisinière de façon à ce que le pied arrière de la cuisinière se trouve dans la fente de la bride antibasculement.**

**Réengager la bride antibasculement si la cuisinière a été déplacée.**

**Ne pas faire fonctionner la cuisinière si la bride antibasculement n'est pas installée et engagée.**

**Le non-respect de ces instructions peut causer un décès ou des brûlures graves aux enfants et aux adultes.**

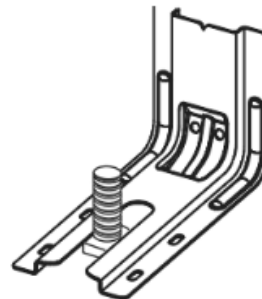
Lorsqu'on déplace la cuisinière, la faire glisser sur une planche de carton ou un panneau de fibres dur pour éviter d'endommager le revêtement du sol.

Si le déplacement de la cuisinière est nécessaire pour le nettoyage ou l'entretien :

#### **Cuisinières alimentées par cordon d'alimentation :**

1. Faire glisser la cuisinière vers l'avant.
2. Fermer le robinet d'arrêt manuel.
3. Débrancher le cordon d'alimentation électrique.
4. Débrancher le conduit d'alimentation en gaz.

5. Effectuer le nettoyage ou l'entretien.
6. Rebrancher le conduit d'alimentation en gaz.
7. Ouvrir le robinet d'arrêt manuel sur la canalisation de gaz.
8. Brancher le cordon d'alimentation électrique.
9. Faire glisser la cuisinière vers l'arrière de sorte que le pied arrière de la cuisinière soit sous la bride antibasculement.



10. Voir la section "Vérifier que la bride antibasculement est bien installée et engagée" pour vérifier que la bride est bien engagée.
11. Vérifier que la cuisinière est d'aplomb.

## SEGURIDAD DE LA ESTUFA

**ADVERTENCIA:** Si la información en estas instrucciones no se sigue con exactitud, podría ocurrir un incendio o una explosión, lo que causaría daños a propiedades, heridas personales o la muerte.

- No almacene o use gasolina u otros líquidos y vapores inflamables cerca de este u otro aparato electrodoméstico.
- **PASOS QUE USTED DEBE SEGUIR SI HUELE A GAS:**
  - No trate de encender ningún aparato electrodoméstico.
  - No toque ningún interruptor eléctrico.
  - No use ningún teléfono en su casa o edificio.
  - Llame inmediatamente a su proveedor de gas desde el teléfono de un vecino. Siga las instrucciones de su proveedor de gas.
  - Si usted no puede comunicarse con su proveedor de gas, llame al departamento de bomberos.
- La instalación y el servicio deben ser efectuados por un instalador calificado, una agencia de servicio o por el proveedor de gas.

 **ADVERTENCIA:**

Nunca deje la sección de cocción superior de este electrodoméstico sin supervisión.

- No seguir esta advertencia, puede dar como resultado fuego, explosión o quemaduras que pueden causar daño a la propiedad, lesiones personales o la muerte.
- Si se produce un incendio, manténgase alejado del electrodoméstico y llame inmediatamente al departamento de bomberos.

**NO INTENTE EXTINGUIR UN FUEGO DE ACEITE/GRASA CON AGUA.**

La estufa no se volteará durante el uso normal. Sin embargo, la estufa se puede voltear si aplica mucha fuerza o peso sobre la puerta abierta sin el soporte antivuelco sujeto al piso adecuadamente.

## **ADVERTENCIA**

### Peligro de Vuelco

**Un niño o un adulto puede volcar accidentalmente la estufa y resultar muerto.**

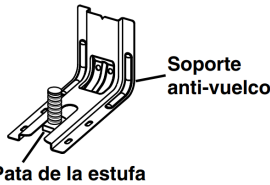
**Instale el soporte anti-vuelco al piso o a la pared según las instrucciones de instalación.**

**Deslice la estufa hacia atrás de modo que la pata trasera quede enganchada en la ranura del soporte anti-vuelco.**

**Si traslada de lugar la estufa, vuelva a asegurar el soporte anti-vuelco.**

**No ponga a funcionar la estufa sin tener el soporte anti-vuelco instalado y asegurado.**

**No seguir estas instrucciones puede ocasionar la muerte o quemaduras graves en niños y adultos.**



**Para verificar que el soporte anti-vuelco esté instalado y asegurado:**

- **Deslice la estufa hacia adelante.**
- **Verifique que el soporte anti-vuelco esté bien sujeto al piso o a la pared.**
- **Deslice la estufa de modo tal que la pata trasera quede debajo del soporte anti-vuelco.**
- **Consulte las instrucciones de instalación para ver más detalles.**

**ADVERTENCIA:** Las pérdidas de gas no siempre se pueden detectar por el olfato.

Los proveedores de gas recomiendan que usted use un detector de gas aprobado por UL (Laboratorio de normalización) o CSA (Asociación canadiense de seguridad).

Para obtener más información, póngase en contacto con su proveedor de gas.

Si se detecta una fuga de gas, siga las instrucciones de "Pasos que usted debe seguir si huele a gas".

## **Su seguridad y la seguridad de los demás es muy importante.**

Hemos incluido muchos mensajes importantes de seguridad en este manual y en su electrodoméstico. Lea y obedezca siempre todos los mensajes de seguridad.



Este es el símbolo de alerta de seguridad.

Este símbolo le llama la atención sobre peligros potenciales que pueden ocasionar la muerte o una lesión a usted y a los demás.

Todos los mensajes de seguridad irán a continuación del símbolo de advertencia de seguridad y de la palabra "PELIGRO" o "ADVERTENCIA". Estas palabras significan:

 **PELIGRO**

**Si no sigue las instrucciones de inmediato, usted puede morir o sufrir una lesión grave.**

 **ADVERTENCIA**

**Si no sigue las instrucciones, usted puede morir o sufrir una lesión grave.**

Todos los mensajes de seguridad le dirán el peligro potencial, le dirán cómo reducir las posibilidades de sufrir una lesión y lo que puede suceder si no se siguen las instrucciones.



**IMPORTANTE:** No instale un sistema de ventilación que sople aire hacia abajo dirigido hacia este aparato de cocción a gas. Este tipo de sistema de ventilación puede ocasionar problemas de encendido y combustión con este aparato de cocción a gas, resultando en heridas a personas o en un funcionamiento no deseado del aparato.

En el estado de Massachusetts se aplican las siguientes instrucciones de instalación:

- Las instalaciones y reparaciones se deben efectuar por un contratista, plomero o gasista calificado o licenciado por el estado de Massachusetts.
- Reemplace con dispositivos de cierre aceptables: las llaves de gas y las válvulas de bola instaladas para el uso deben estar en la lista.
- Si se usa un conector de gas flexible no debe exceder de 4 pies (121,9 cm).

# INSTRUCCIONES IMPORTANTES DE SEGURIDAD

**ADVERTENCIA:** Para reducir el riesgo de incendio, choque eléctrico o lesiones personales al usar el electrodoméstico, siga precauciones básicas, entre ellas las siguientes:

- **ADVERTENCIA:** PARA VERIFICAR SI LOS DISPOSITIVOS ESTÁN INSTALADOS ADECUADAMENTE, DESLICE LA ESTUFA HACIA ADELANTE, REVISE QUE EL SOPORTE ANTIVUELCO ESTÉ BIEN SUJETO AL PISO O A LA PARED Y DESLICE LA ESTUFA HACIA ATRÁS DE MODO QUE LA PATA TRASERA QUEDE DEBAJO DEL SOPORTE ANTIVUELCO.

## ADVERTENCIA

NUNCA use este electrodoméstico como calefactor de ambientes para calentar o entibiar la habitación. El hacerlo puede causar intoxicación por monóxido de carbono y sobrecalentamiento del horno.

## ADVERTENCIA

NUNCA cubra ranuras, orificios o pasajes en la parte inferior del horno ni cubra una rejilla entera con materiales tales como papel de aluminio. El hacerlo bloquea el flujo de aire en el horno y puede causar intoxicación por monóxido de carbono. Los forros de papel de aluminio también pueden atrapar el calor y provocar un riesgo de incendio.

- **PRECAUCIÓN:** No almacene artículos que interesen a los niños en los armarios que están encima de la estufa o en el soporte de la estufa; al trepar los niños encima de la estufa para alcanzar algún objeto, podrían sufrir una lesión grave.
- No deje a los niños solos. No se debe dejar a los niños sin supervisión en el área donde el electrodoméstico esté en uso. Jamás se les debe permitir que se sienten ni se paren en parte alguna del electrodoméstico.
- Use ropa apropiada. Nunca debe ponerse ropa holgada o que se esté colgando mientras esté usando el electrodoméstico.
- Servicio del usuario: no repare ni reemplace pieza alguna del electrodoméstico a menos que se recomiende específicamente en el manual. Cualquier otro servicio se debe dejar en las manos de un técnico competente.
- Almacenaje en o sobre el electrodoméstico: los materiales inflamables no deben almacenarse en el horno o cerca de las unidades exteriores.
- Este aparato no ha sido diseñado para almacenar objetos.
- No use agua en incendios provocados por grasa. Extinga el incendio o la llama o use un extinguidor de tipo espuma o químico seco. No use agua en incendios provocados por grasa. Extinga el incendio o la llama o use un extinguidor de tipo espuma o químico seco.
- Use solo agarradores de ollas que estén secos. Los agarradores de ollas húmedos o mojados en las superficies calientes pueden ocasionar quemaduras por vapor. No deje que el agarrador de ollas toque las unidades con superficie caliente. No use una toalla ni otros paños voluminosos.
- Nunca deje sin supervisión las unidades exteriores a fuego alto. Los derrames por ebullición ocasionan salpicaduras grasosas y humeantes que pueden incendiarse.
- Utensilios de cocina vidriados - Sólo algunos tipos de utensilios de vidrio, cerámica vitrificada, cerámica, loza de barro u otros utensilios vidriados son adecuados para uso en la superficie de cocción sin que se rompan debido a cambios repentinos de temperatura.
- Los mangos de los utensilios deben colocarse hacia adentro y no deben extenderse hasta las unidades exteriores adyacentes - Para reducir riesgos de quemaduras, incendio de materiales inflamables y salpicaduras debido a contacto accidental con el utensilio, el mango del utensilio debe colocarse hacia adentro y no debe extenderse hasta las unidades exteriores adyacentes.
- Desconecte el suministro de energía antes de realizar el servicio.
- Esta electrodoméstico está equipada con un enchufe de puesta a tierra de tres terminales para protegerlo contra el peligro de choque eléctrico, y deberá enchufarse directamente en un contacto debidamente puesto a tierra. No corte ni quite la terminal de puesta a tierra de este enchufe.
- Instalación correcta: El electrodoméstico, cuando se instale, deberá ser conectado a tierra de acuerdo con los códigos locales, o en la ausencia de códigos locales, con el Código nacional eléctrico (*National Electrical Code*), *ANSI/NFPA 70* o el *Código canadiense de electricidad (Canadian Electrical Code)*, *CSA C22.1-02*. En Canadá, el electrodoméstico debe ser conectado a tierra de acuerdo con el Código canadiense de electricidad. Cerciórese de que la instalación y puesta a tierra del electrodoméstico sean efectuadas adecuadamente por un técnico calificado.
- Pueden ocasionarse lesiones por el uso indebido de las puertas o cajones del electrodoméstico, como puede ser pisar, apoyarse o sentarse sobre las puertas o cajones.
- Mantenimiento – Mantenga el área de la estufa limpia y libre de materiales combustibles, gasolina y otros vapores y líquidos inflamables.
- Deberá ajustarse el tamaño de la llama del quemador superior de modo que no se extienda más allá del borde del recipiente de cocción. Esta instrucción se basa en consideraciones de seguridad.
- No use piezas de repuesto que no hayan sido recomendadas por el fabricante (por ejemplo, piezas hechas en casa con una impresora 3D).
- Limpie la superficie de cocción con cuidado - Si usa una esponja o un paño mojado para limpiar los derrames en el área de cocción caliente, tenga cuidado para evitar quemaduras por vapor. Algunos productos de limpieza pueden producir gases nocivos al ser aplicados en una superficie caliente.
- Tenga cuidado al abrir la puerta. Deje que salga el aire caliente o el vapor antes de quitar o volver a colocar alimentos.

## GUARDE ESTAS INSTRUCCIONES

## INSTRUCCIONES IMPORTANTES DE SEGURIDAD

- No ponga a calentar recipientes de alimentos cerrados. La acumulación de presión puede hacer que el recipiente explote y ocasione lesiones.
- Mantenga los ductos de ventilación del horno sin obstrucciones.
- **NO TOQUE LOS ELEMENTOS CALEFACTORES NI LAS SUPERFICIES INTERIORES DEL HORNO.** Los elementos calefactores podrían estar calientes, aún si están de color oscuro. Las superficies interiores de un horno se calientan lo suficiente como para causar quemaduras. Durante y después del uso, no toque ni deje que la ropa u otros materiales inflamables toquen los elementos calefactores ni las superficies interiores del horno hasta que haya transcurrido tiempo suficiente para que se enfríen. Otras superficies del horno pueden calentarse lo suficiente como para causar quemaduras, entre esas superficies están los orificios de ventilación del horno y las superficies cercanas a esos orificios, las puertas del horno y las ventanas de las puertas del horno.
- Se debe tener cuidado para evitar que el papel aluminio y las sondas para carne entren en contacto con los elementos calefactores.

### **Para unidades con campana de ventilación –**

- Limpie las campanas de ventilación con frecuencia - No se debe dejar que la grasa se acumule en la campana o en el filtro.
- Al flamear los alimentos debajo de la campana, encienda el ventilador.

### **Para las estufas con autolimpieza –**

- No limpie la junta de la puerta. La junta de la puerta es esencial para un cierre hermético. Deberá tenerse cuidado de no frotar, dañar ni mover la junta.
- No use limpiadores para horno – No deberá usarse ningún limpiador para horno comercial ni revestimiento protector para hornos de ninguna clase dentro ni alrededor de ninguna parte del horno.
- Limpie solamente las partes enlistadas en el manual.
- Antes de hacer la autolimpieza del horno – Quite la charola para asar a la parrilla y otros utensilios. Limpie todos los derrames excesivos antes de iniciar el ciclo de limpieza.

### **Para cocinas y hornos inteligentes habilitados:**

- Operación remota: este electrodoméstico es configurable para autorizar la operación remota en cualquier momento. No almacene materiales inflamables o artículos sensibles a la temperatura en el interior, en o cerca de la superficie del electrodoméstico.

**GUARDE ESTAS INSTRUCCIONES**

# CUIDADO Y MANTENIMIENTO DE LA ESTUFA

## Limpieza general

**IMPORTANTE:** Antes de la limpieza, asegúrese de que todos los controles estén apagados y que el horno y la superficie de cocción estén fríos. Siempre siga las instrucciones que vienen en las etiquetas de los productos de limpieza.

En primer lugar se sugiere el empleo de jabón, agua y una esponja o paño suave, a menos que se indique lo contrario.

### **SUPERFICIES EXTERIORES DE ESMALTE DE PORCELANA (en algunos modelos)**

Los derrames de alimentos que contienen ácidos, tales como vinagre y tomate, deben ser limpiados tan pronto como se enfríe la estufa completa. Es posible que estos derrames dañen el acabado.

#### **Método de limpieza:**

- Producto para limpiar vidrios, producto de limpieza líquido suave o estropajo no abrasivo: Limpie cuidadosamente alrededor de la placa con el número de modelo/serie/clase porque el refregar puede borrar los números.
- Limpiador para cocina y electrodomésticos affresh<sup>®</sup>†, pieza número W10355010 (no incluido):

Para obtener información sobre pedidos, consulte la Guía rápida de inicio.

### **ACERO INOXIDABLE (en algunos modelos)**

**NOTA:** Para evitar daños a las superficies de acero inoxidable, no use estropajos que vienen con jabón, productos de limpieza abrasivos, limpiador para la superficie de cocción, estropajos de metal, paños ásperos o toallas de papel abrasivas. Podrían ocurrir daños a las superficies de acero inoxidable, aún si sólo se usa una vez o en forma limitada.

#### **Método de limpieza:**

- Frote en la dirección de la veta para evitar que se dañe.
- Limpiador de acero inoxidable affresh<sup>®</sup>, pieza número W10355016 (no incluido):

Para obtener información sobre pedidos, consulte la Guía rápida de inicio.

### **PINTURA METÁLICA (en algunos modelos)**

No use productos de limpieza abrasivos, limpiadores con blanqueador, disolventes de óxido, amoníaco o hidróxido de sodio (lejía), ya que se pueden manchar las superficies pintadas.

### **TAPAS Y PARRILLAS CON REVESTIMIENTO DE PORCELANA**

Los derrames de alimentos que contienen ácidos, tales como vinagre y tomate, deben ser limpiados tan pronto como se enfríen la superficie de cocción, las parrillas y las tapas. Es posible que estos derrames dañen el acabado.

Para evitar las desportilladuras, no golpee las parrillas y las tapas una contra la otra ni contra superficies duras tales como utensilios de cocina de hierro fundido.

No vuelva a armar las tapas sobre los quemadores mientras estén húmedas.

#### **Método de limpieza:**

- Estropajo de plástico no abrasivo y limpiador abrasivo suave: Límpielas tan pronto como la superficie de cocción, las parrillas y las tapas se hayan enfriado.
- En la lavavajillas (sólo las parrillas, no las tapas):  
Use el ciclo que sea más poderoso. Los restos de alimentos cocidos deben ponerse en remojo o fregarse antes de ponerlos en una lavavajillas.  
Si bien las rejillas de los quemadores son duraderas, pueden perder el brillo y/o decolorarse si se lavan en la lavavajillas.
- Limpiador para rejillas a gas y bandejas de goteo, número de referencia 31617 (no incluido):  
Para obtener información sobre pedidos, consulte la Guía rápida de inicio.

### **QUEMADORES DE SUPERFICIE**

Las salpicaduras de alimentos que contienen ácidos, como vinagre y tomate, deben limpiarse apenas la superficie de cocción, las rejillas y las tapas estén frías; esos derrames pueden afectar el acabado.

Para evitar los desportillados, no golpee las rejillas y las tapas entre sí ni contra superficies duras como utensilios de cocina de hierro fundido.

No vuelva a armar las tapas sobre los quemadores mientras estén mojadas.

No las limpie en el ciclo de Clean (limpieza).

No las lave en la lavavajillas.

#### **Método de limpieza:**

- Estropajo plástico no abrasivo y limpiador abrasivo suave: Limpie la superficie de cocción, las rejillas y las tapas en cuanto se hayan enfriado.
- Limpiador para rejilla a gas y bandeja de goteo (incluido).

### **CONTROLES DE LA SUPERFICIE DE COCCIÓN**

Para evitar daños en los controles de la superficie de cocción, no use estopa de acero, productos de limpieza abrasivos ni limpiador de horno.

Para evitar daños, no remoje las perillas. Cuando vuelva a colocar las perillas, asegúrese de que las mismas estén en la posición OFF (Apagado).

En algunos modelos, no quite los obturadores que hay debajo de las perillas.

#### **Método de limpieza:**

- Agua y jabón: Jale las perillas en sentido recto para quitarlas del panel de control.

### **PANEL DE CONTROL Y EXTERIOR DE LA PUERTA DEL HORNO**

Para evitar daños en el panel de control, no use productos de limpieza abrasivos, estropajos de metal, paños ásperos o toallas de papel abrasivas.

#### **Método de limpieza:**

- Producto para limpiar vidrios y un paño suave o esponja: Aplique el producto para limpiar vidrios en una esponja o paño suave, no lo haga directamente sobre el panel.
- Limpiador para cocina y electrodomésticos affresh<sup>®</sup>†, pieza número W10355010 (no incluido):  
Para obtener información sobre pedidos, consulte la Guía rápida de inicio.

†<sup>®</sup>affresh una marca registrada de Whirlpool EE. UU.

## PARRILLAS DEL HORNO

### Método de limpieza:

- Esponja de fibra metálica
- Para las parrillas que se han decolorado y que no se deslizan con facilidad, la aplicación de una capa delgada de aceite vegetal a las guías de la parrilla hará que éstas se deslicen con más facilidad.
- Lavavajillas (solo para el depósito de agua de la parrilla de vapor, no las parrillas): Si bien el depósito de agua es resistente, puede perder el brillo y/o cambiar de color si se lo lava en la lavavajillas.

### CAJÓN DE ALMACENAMIENTO

Verifique que el cajón de almacenamiento esté frío y vacío antes de limpiarlo.

### Método de limpieza:

- Detergente suave

### CAVIDAD DEL HORNO

No use productos de limpieza para hornos.

Los derrames de alimentos deberán limpiarse cuando el horno se enfríe. A altas temperaturas, la reacción química de los alimentos con la porcelana puede dar lugar a manchas, corrosión, picaduras o tenues puntos blancos.

### Método de limpieza:

- Ciclo de limpieza: Vea la sección "Ciclo de autolimpieza".

## Ciclo de autolimpieza

**⚠ ADVERTENCIA**



**Peligro de Quemaduras**

**No abra el horno durante el ciclo de autolimpieza.**

**Mantenga a los niños lejos del horno durante el ciclo de autolimpieza.**

**No seguir estas instrucciones puede ocasionar quemaduras**

**IMPORTANTE:** La salud de algunas aves es sumamente sensible a los gases emanados durante el ciclo de autolimpieza. La exposición a los gases puede ocasionar la muerte de ciertas aves. Mude siempre las aves a otro cuarto cerrado y bien ventilado.

Mantenga la cocina bien ventilada durante el ciclo de autolimpieza; esto ayudará a que haya menos calor, olores y humo.

No bloquee el ducto de escape del horno durante el ciclo de autolimpieza. El aire debe moverse con libertad. Vea la sección "Ducto de escape del horno".

No limpie, frote, dañe o mueva la junta de la puerta del horno.

## Prepare la estufa

- Retire la charola para asar a la parrilla, la parrilla, los utensilios de cocina y los utensilios para hornear, todos los utensilios de cocción, las parrillas del horno y papel de aluminio y, en algunos modelos, la sonda de temperatura del horno.
- Use un paño húmedo para limpiar el borde interior de la puerta y el área de 1 1/2" (3,8 cm) alrededor del marco de la cavidad interna del horno, teniendo cuidado de no mover ni doblar la junta.
- Limpie cualquier suciedad que esté suelta para reducir el humo y evitar daños. A altas temperaturas, los alimentos reaccionan con la porcelana. Esto puede dar lugar a manchas, marcas, picaduras o manchas blancas tenues. Esto no afectará los resultados de la cocción.
- Quite los artículos de plástico de la superficie de cocción, ya que pueden derretirse.
- Saque todos los artículos del cajón de almacenamiento.

## Cómo funciona el ciclo

**IMPORTANTE:** Si la porcelana se calienta o se enfría sobre el acero en el horno, esto resultará en decoloración, pérdida del brillo, pequeñas grietas y sonidos de estallido.

Antes de la autolimpieza, asegúrese de que la puerta esté completamente cerrada; de lo contrario no quedará bloqueada y el ciclo de autolimpieza no comenzará.

El ciclo de autolimpieza usa temperaturas muy altas que queman la suciedad, convirtiéndola en cenizas.

Una vez que se haya enfriado el horno por completo, quite las cenizas con un paño húmedo. Para evitar romper el vidrio, no aplique un paño húmedo y frío al vidrio interior de la puerta antes de que se haya enfriado por completo.

Para detener el ciclo de autolimpieza en cualquier momento, presione el botón de CANCEL (Anulación). Si la temperatura es demasiado alta, la puerta del horno permanecerá bloqueada y aparecerán en la pantalla "cool" (frío) y "locked" (bloqueado). El ventilador de enfriamiento puede continuar funcionando.

Cuando aparece "LOCK" (Bloqueo) en la pantalla, no se puede abrir la puerta del horno. Para evitar daños a la puerta, no la fuerce para abrirla cuando se muestre "LOCK" (Bloqueo) en la pantalla.

Una vez que se haya alcanzado la temperatura para la limpieza, el control electrónico requiere un retraso de 12 horas antes de comenzar otro ciclo de autolimpieza.

La luz del horno no funcionará durante el ciclo de autolimpieza.

## Control electrónico del horno con tiempo de limpieza ajustable (en algunos modelos)

En el ciclo de autolimpieza SELF CLEAN (Autolimpieza) el tiempo puede regularse entre 2 horas y 30 minutos y 4 horas y 30 minutos, en incrementos de 15 minutos. Los tiempos sugeridos de limpieza son de 2 horas y 30 minutos para la suciedad ligera, y de 4 horas y 30 minutos para la suciedad intensa. Los últimos 30 minutos del ciclo son para el enfriamiento.

### Para usar la autolimpieza:

1. Presione SELF CLEAN (Autolimpieza).
2. Presione los botones con las flechas de Temp-Time (Temperatura/Hora) hacia arriba o hacia abajo para ingresar el tiempo deseado de autolimpieza.
3. Presione START (Inicio).

La puerta del horno se bloqueará automáticamente. Aparecerán en la pantalla las luces indicadoras de Door Locked (puerta bloqueada) y Clean (limpieza). También aparecerá en la pantalla el tiempo restante.

4. Cuando se haya terminado el ciclo de autolimpieza y el horno se enfríe, las luces indicadoras de DOOR LOCKED (Puerta bloqueada) y CLEAN (Limpio) se apagarán.
5. Una vez que se haya enfriado el horno por completo, quite las cenizas con un paño húmedo.  
Para salir del ciclo de limpieza antes de que se complete, presione CANCEL (Cancelar). La puerta se desbloqueará una vez que se enfríe el horno.

## INSTRUCCIONES DE INSTALACIÓN REQUISITOS

### Herramientas y piezas

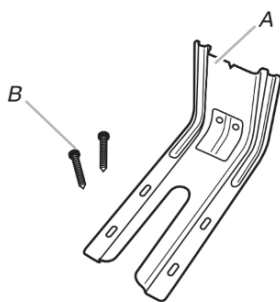
Reúna las herramientas y las piezas necesarias antes de comenzar la instalación. Lea y siga las instrucciones provistas con cualquiera de las herramientas detalladas aquí.

#### Herramientas necesarias

- |   |  |
|---|--|
| ■ Cinta métrica   | ■ Solución para detectar fugas no corrosiva.   |
| ■ Destornillador de cabeza plana                            | ■ Broca para albañilería con punta de carburo de 3/16" (para pisos de hormigón/cerámica) |
| ■ Destornillador Phillips                                   | (Para estufas deslizables/ con control frontal)  |
| ■ Destornillador de hoja plana de 1/8"                      |  |
| ■ Nivelada  |  |
| ■ Taladro manual o eléctrico                                |  |
| ■ Llave o pinza   |  |
| ■ Llave para tubos  |  |
| ■ Llave de combinación de 15/16"                            |  |
| ■ Trinquete de accionamiento de 1/4"                        |  |
| ■ Sacatuercas de 3/8"                                       |  |
| ■ broca de 1/8" (para pisos de madera)                      |  |
| ■ Marcador o lápiz  |  |
| ■ Compuesto para unión de tuberías resistente a gas propano |  |
- Para las conversiones a gas natural/propano**
- |   |
|---|
| ■ Llave de combinación de 3/8"  |
| ■ Llave de combinación de 1/2"  |
| ■ Llave de combinación de 5/8"  |
| ■ Sacatuercas de 9/32"  |
| ■ Destornillador Quadrex <sup>†</sup> o Phillips                      |
| ■ Cinta adhesiva protectora   |
| ■ Sacatuercas de 3/8" (Para estufas deslizables/ con control frontal) |

#### Piezas suministradas

Verifique que estén todas las piezas.



- A. Soporte antivuelco  
B. Tornillos #12 x 1<sup>5</sup>/<sub>8</sub>" (4,1 cm) screws (2)

El soporte anti-vuelco debe estar montado firmemente al piso o a la pared. Según el espesor del piso, es posible que sea necesario utilizar tornillos más largos para sujetar el soporte al piso.

#### Piezas necesarias

Verifique los códigos locales y consulte con el proveedor de gas. Verifique el suministro de gas y el suministro eléctrico existentes. Consulte las secciones "Requisitos eléctricos" y "Requisitos del suministro de gas".

**NOTA:** Asegúrese de comprar únicamente piezas y accesorios Whirlpool certificados de fábrica para su electrodoméstico. Su instalación puede requerir piezas adicionales. Para pedir las, consulte la información de contacto que figura en la Guía de inicio rápido.

### Requisitos de ubicación

**IMPORTANTE:** Respete todos los códigos y las ordenanzas vigentes. No obstruya el flujo de aire para la combustión y la ventilación.

- Es la responsabilidad del instalador cumplir con los espacios de instalación especificados en la placa indicadora de modelo/serie. La placa que indica modelo/serie se encuentra en el marco de la puerta del horno, detrás del lado superior izquierdo de la puerta del horno.
- Las instalaciones empotradas deben dejar completamente encerrados los lados y la parte posterior de la cocina.
- Todas las aberturas en la pared o en el piso en donde se instalará la cocina deben estar selladas.
- No selle la cocina a los gabinetes laterales.
- Deben usarse las dimensiones de la abertura del gabinete que se muestran. Las dimensiones proporcionadas son los espacios mínimos.
- Debe instalarse el soporte antivuelco. Para instalar el soporte antivuelco enviado con la cocina, consulte la sección "Instalación del soporte antivuelco".
- Se requiere un suministro eléctrico conectado a tierra. Consulte la sección "Requisitos eléctricos".
- Debe haber una conexión adecuada de suministro de gas. Consulte la sección "Requisitos del suministro de gas".
- Póngase en contacto con un instalador de revestimiento de pisos calificado para verificar que el revestimiento del piso pueda soportar por lo menos 200 °F (93 °C).
- Use una almohadilla aislante o una madera laminada de 1/4" (6,4 mm) debajo de la cocina si va a instalarla sobre una alfombra.

**IMPORTANTE:** Para evitar daños a los armarios, consulte al constructor o al distribuidor de los armarios para asegurarse de que los materiales empleados no cambien de color, no se desprenda el laminado ni sufran ningún otro tipo de daño. Este horno fue diseñado de acuerdo con los requisitos de UL y CSA International y cumple con las temperaturas máximas permitidas para gabinetes de madera de 194 °F (90 °C).

<sup>†</sup>QUADREX es una marca comercial registrada de NLW Holdings, Inc.

## Requisitos de instalación adicionales para casas rodantes

La instalación de esta estufa debe ajustarse a la Norma para la construcción y la seguridad de casas fabricadas, título 24 CFR, parte 3280 (antes Norma federal para la construcción y la seguridad de casas rodantes, título 24, HUD parte 280). Cuando no sea aplicable ese estándar, use el Estándar para instalaciones en casas fabricadas, ANSI A225.1/NFPA 501A u obedezca los códigos locales. En Canadá, la instalación de esta estufa debe hacerse conforme a las reglas vigentes CAN/CSA-Z240.1 - última edición, o con los códigos locales.

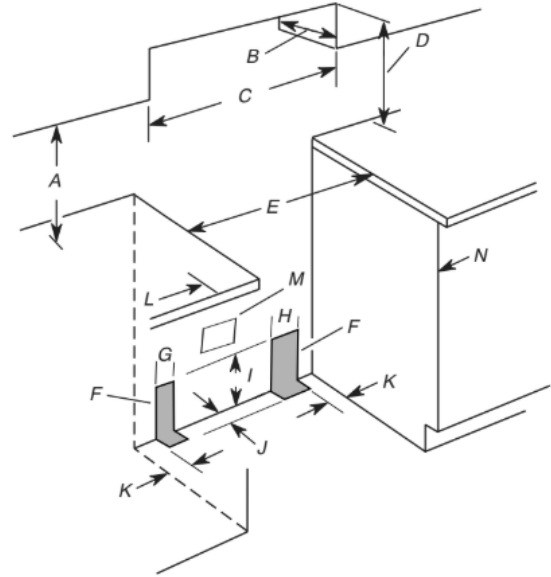
### Las instalaciones en casas rodantes requieren lo siguiente:

- Cuando se instale esta estufa en una casa rodante, deberá asegurarse al piso durante el transporte. Cualquier método de fijación es adecuado en tanto cumpla con las normas antes indicadas.

## Dimensiones del gabinete

Las dimensiones de la abertura del armario que se muestran son para una profundidad del mostrador de 25" (64,0 cm), una profundidad del armario de la base de 24" (61,0 cm) y una altura del mostrador de 36" (91,4 cm).

**IMPORTANTE:** Si va a instalar una campana para cocina o una combinación de microondas y campana sobre la superficie de cocción, siga las instrucciones de instalación incluidas con la campana para cocina o la combinación de microondas y campana para ver las medidas de los espacios sobre la superficie de cocción.



- A. 18" (45,7 cm) del armario lateral superior al mostrador
- B. 13" (33 cm) máximo de profundidad del armario superior
- C. 30" (76,2 cm) de ancho mínimo de abertura
- D. Para ver el espacio mínimo hasta la parte superior de la superficie de cocción, consulte la NOTA\*.
- E. Ancho mínimo de la abertura: 30" (76,2 cm)
- F. Se recomiendan las áreas sombreadas para la instalación de tubería de gas rígida.
- G. 4½" (11,4 cm)
- H. 8" (20,3 cm)
- I. 17" (43,2 cm)
- J. 2" (5,1 cm)
- K. 4½" (11,4 cm)
- L. Espacio mínimo de 3" (7,6 cm) desde ambos lados de la cocina hasta la pared lateral u otro material combustible.
- M. Tomacorriente con conexión a tierra
- N. La puerta o las bisagras del armario no deben extenderse dentro del área del recorte.

**NOTA:** 24" (61,0 cm) como mínimo cuando la base del armario de madera o de metal esté protegida por madera moldeada retardante de llama de al menos 1/4" (6,4 mm), cubierta con una lámina de acero no inferior a N.º 28 MSG, de acero inoxidable de 0,015" (0,4 mm), de aluminio de 0,024" (0,6 mm) o de cobre de 0,020" (0,5 mm). 30" (76,2 cm) de espacio mínimo entre la parte superior de la plataforma de la superficie de cocción y la base de un armario de madera o metal descubierto.



## Requisitos eléctricos

### **ADVERTENCIA**



#### **Peligro de Choque Eléctrico**

**Conecte el producto a un tomacorriente de 3 terminales con conexión a tierra.**

**No quite el terminal de conexión a tierra.**

**No use un adaptador.**

**No use un cable eléctrico de extensión.**

**No seguir estas instrucciones puede ocasionar la muerte, incendio o choque eléctrico.**

**IMPORTANTE:** La cocina debe tener una conexión de electricidad a tierra de acuerdo con los códigos y las ordenanzas locales o, en ausencia de códigos locales, con el Código nacional de electricidad (National Electrical Code), ANSI/NFPA 70 o el Código canadiense de electricidad (Canadian Electrical Code), CSA C22.1.

Esta cocina está equipada con un sistema de encendido electrónico que no funcionará si se enchufa en un contacto que no está debidamente polarizado. Si los códigos lo permiten y se emplea un cable de conexión a tierra separado, es recomendable que un instalador eléctrico calificado determine si la ruta de conexión a tierra es adecuada.

Puede obtener una copia de las normas de los códigos antes indicados en:

National Fire Protection Association  
1 Batterymarch Park  
Quincy, MA 02169-7471

CSA International  
8501 East Pleasant Valley Road  
Cleveland, OH 44131-5575

- Se necesita un circuito eléctrico de 120 V, 60 Hz, CA solamente, protegido con fusible de 15 A. También se recomienda usar un fusible retardador o cortacircuitos. Se recomienda el uso de un circuito independiente que preste servicio únicamente a este aparato.
- Los sistemas de encendido electrónico funcionan dentro de límites de tensión amplios, pero se debe tener una conexión a tierra y la polaridad correctas. Verifique que el tomacorriente tenga capacidad para 120 V y que esté debidamente conectado a tierra.
- No es necesario enchufar esta cocina en un tomacorriente con GFCI (disyuntor diferencial). Se recomienda no enchufar una cocina con encendido con chispa eléctrica ni ningún otro electrodoméstico importante en un tomacorriente de pared con GFCI ya que puede causar la desconexión del GFCI durante el funcionamiento normal.
- El rendimiento de esta cocina no se verá afectado si funciona en un circuito protegido con un GFCI. Sin embargo, se puede producir el inconveniente de la desconexión ocasional del GFCI debido a la naturaleza del funcionamiento normal de las cocinas de gas electrónicas.
- El diagrama de cableado está ubicado en la parte posterior de la cocina en una bolsa de plástico transparente.

**NOTA:** El armazón de metal de la cocina deberá conectarse a tierra para que funcione el panel de control. Si no se lo conecta a tierra, ningún botón funcionará. Verifique con un electricista calificado si tiene dudas acerca de si el armazón de la cocina está conectado a tierra.

## Requisitos de suministro de gas

### **ADVERTENCIA**



#### **Peligro de explosión**

**Use una línea de suministro de gas nueva con aprobación de CSA Internacional.**

**Instale una válvula de cierre.**

**Apriete firmemente todas las conexiones de gas.**

**Si se conecta a un suministro de gas propano, una persona calificada debe verificar que la presión del gas no exceda una columna de agua de 14" (36 cm).**

**Ejemplos de una persona calificada incluyen personal de servicio del sistema de calefacción con licencia, personal autorizado de la compañía de gas y personal autorizado para dar servicio.**

**No seguir esta instrucción puede ocasionar la muerte, explosión o incendio.**

Respete todos los códigos y las ordenanzas vigentes.

**IMPORTANTE:** Esta instalación debe hacerse de acuerdo con todos los códigos y ordenanzas locales. Si no hay códigos locales, la instalación deberá hacerse de acuerdo con la Código nacional de gas combustible (American National Standard), el Código nacional de gas combustible (National Fuel Gas Code), ANSI Z223.1/NFPA 54, o, en Canadá, Código de instalación de gas natural y propano, CSA B149.1, edición más reciente.

**IMPORTANTE:** Las pruebas de fugas de la cocina deben efectuarse según las instrucciones del fabricante. Consulte "Complete la instalación" en la sección "Conexión del suministro de gas" para instrucciones de las pruebas de fugas.

### **Tipo de gas**

#### **Gas natural:**

- Esta cocina está preparada de fábrica para usarse con gas natural. Consulte la sección "Conversiones de gas". La placa que indica modelo/serie/valores nominales, ubicada en el marco del horno detrás de la parte superior izquierda de la puerta del horno, contiene información sobre los tipos de gas que puede usar. Si la lista de tipos de gas no incluye el tipo de gas disponible, averigüe con el distribuidor de gas de su localidad.

#### **Conversión a gas propano:**

La conversión deberá llevarla a cabo un técnico de servicio calificado.

No se deberá hacer intento alguno para convertir el aparato del gas especificado en la placa indicadora del modelo/de la serie para usarlo con un gas distinto sin consultar con el proveedor de gas. Consulte la sección "Conversiones de gas".

## Línea de suministro de gas

- Provea una línea de suministro de gas con tubería rígida de 3/4" (1,9 cm) hasta la ubicación de la cocina. Una tubería de menor tamaño en tendidos más largos puede dar como resultado un suministro de gas insuficiente. Con gas propano, el tamaño de la tubería o los caños puede ser de 1/2" (1,3 cm) como mínimo. Por lo general, los proveedores de gas propano determinan el tamaño y los materiales que deben usarse en el sistema.
- **NOTA:** Deben usarse compuestos para uniones de tubería que sean resistentes a la acción del gas propano. No utilice cinta de TEFLON<sup>†</sup>.

### Conector flexible de metal para electrodomésticos:

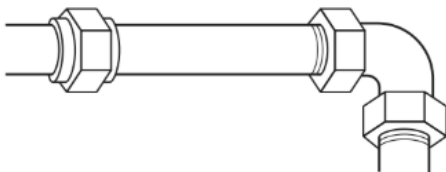
- Si los códigos locales lo permiten, se puede usar un nuevo conector flexible de metal para electrodomésticos con diseño certificado por CSA, de 4 pies a 5 pies (de 122 cm a 152,4 cm) de longitud, 1/2" (1,3 cm) o 3/4" (1,9 cm) de diámetro interno, para conectar la cocina a la línea de suministro de gas.



- Se necesita una rosca de tubo macho de 1/2" (1,3 cm) para conectar a las roscas de tubo hembra de la entrada al regulador de presión del electrodoméstico.
- No fuerza ni dañe la tubería de metal flexible cuando mueva la cocina.

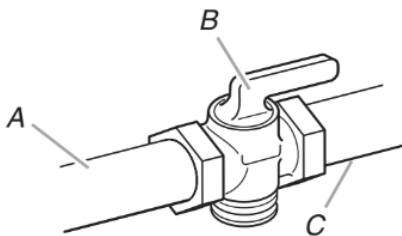
### Conexión de tubería rígida:

La conexión de tubería rígida requiere una combinación de accesorios de tubería para obtener una conexión en línea hacia la cocina. La tubería rígida deberá estar nivelada con la conexión de la cocina. Deberán quitarse todas las torceduras de las líneas de suministro y de combustible para que la cocina esté nivelada y alineada.



- Debe tener una válvula de cierre:

Instale una válvula de cierre manual para líneas de gas en un lugar de fácil acceso. No bloquee el acceso a la válvula de cierre. La válvula es para abrir o cerrar el suministro de gas a la cocina.



- A. Línea de suministro de gas
- B. Válvula de cierre en posición "abierta"
- C. A la cocina

## Regulador de la presión de gas

Deberá usarse el regulador de la presión de gas suministrado con esta cocina. Para el funcionamiento adecuado, la presión de entrada al regulador deberá ser como se indica a continuación:

### Gas natural:

Presión mínima: 5" (12,7 cm) de presión de la columna de agua

Presión máxima: 14" (35,5 cm) de presión de la columna de agua

### Gas propano:

Presión mínima: 11" (27,9 cm) de presión de la columna de agua

Presión máxima: 14" (35,5 cm) de presión de la columna de agua

Póngase en contacto con el proveedor de gas local si no está seguro acerca de la presión de entrada.

### Requisitos de entrada de los quemadores

La capacidad nominal de entrada que se muestra en la placa de clasificación del modelo/serie es para elevaciones de hasta 2000 pies (609,6 m).

Para elevaciones mayores de 2000 pies (609,6 m), los valores nominales se reducen en una proporción del 4 % por cada 1000 pies (304,8 m) por encima del nivel del mar (no es aplicable para Canadá).

### Prueba de presión del suministro de gas

La presión del suministro de gas para un regulador de prueba debe ser de al menos 1" (2,5 cm) de presión de la columna de agua superior a la presión del múltiple que se muestra en la placa que indica modelo/serie.

### Prueba de presión de línea sobre 1/2 psi (3,5 kPa) de manómetro 14" (35,5 cm) de presión de la columna de agua (WCP)

La cocina y su válvula de cierre individual deben desconectarse del sistema de tubería de suministro de gas durante cualquier prueba de presión efectuada en el sistema con presiones de prueba superiores a 1/2 psi (3,5 kPa).

### Prueba de presión de la línea a 1/2 psi (3,5 kPa) de manómetro 14" (35,5 cm) de WCP o menos

Se debe cerrar la válvula de cierre individual manual para aislar la cocina del sistema de tubería de suministro de gas durante cualquier prueba de presión efectuada en el sistema con presiones de prueba igual a 1/2 psi (3,5 kPa) o menos.

<sup>†</sup>TEFLON es una marca comercial registrada de Chemours.

# INSTALACIÓN

## Desembale la cocina

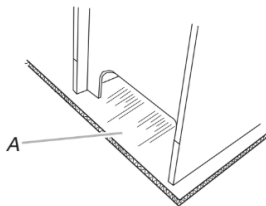
### ⚠ ADVERTENCIA

#### Peligro de Peso Excesivo

Use dos o más personas para mover e instalar o desinstalar el aparato.

No seguir esta instrucción puede ocasionar una lesión en la espalda u otro tipo de lesiones.

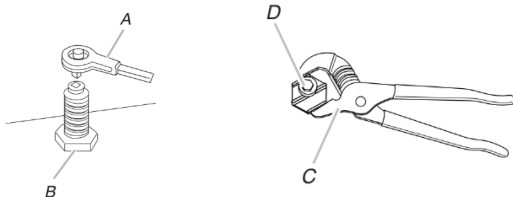
1. Quite los materiales de envío, la cinta adhesiva y la película de la cocina.
2. Saque las parrillas del horno y el paquete de piezas del interior del horno.
3. No quite la base de transporte en este momento.



A. Base de envío

#### 4. En las cocinas con un cajón de almacenamiento:

Retire el cajón de almacenamiento. Consulte la sección "Cajón de almacenamiento". Use un trinquete de 1/4" (6,4 mm) para descender las patas niveladoras traseras media vuelta. Use una llave o pinzas para bajar las patas niveladoras delanteras media vuelta.

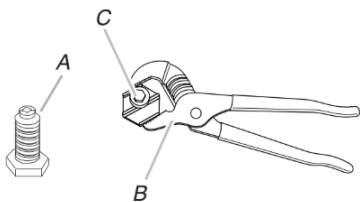


A. Trinquete de 1/4" (6,4 mm)  
B. Pata niveladora trasera

C. Llave o pinzas  
D. Llave o pinzas

#### En las cocinas con un cajón de calentamiento o cajón de almacenamiento premium:

En las cocinas con un cajón de calentamiento o cajón de almace- namiento premium, no se puede acceder a las patas posteriores retirando el cajón de calentamiento o el cajón de almacenamiento premium. Será necesario regular las patas posteriores desde el exterior de la cocina. Use una llave o pinzas para bajar las patas niveladoras delanteras y posteriores media vuelta.



A. Pata niveladora trasera  
B. Llave o pinzas  
C. Pata niveladora delantera

## Instalación del soporte antivuelco

### ⚠ ADVERTENCIA



#### Peligro de Vuelco

Un niño o un adulto puede volcar accidentalmente la estufa y resultar muerto.

Instale el soporte antivuelco fijado al piso o a la pared según las instrucciones de instalación.

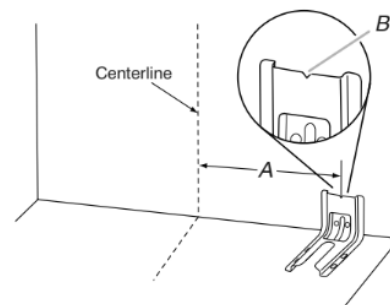
Deslice la estufa hacia atrás de modo que la pata trasera quede enganchada en la ranura del soporte antivuelco.

Si traslada de lugar la estufa, vuelva a asegurar el soporte antivuelco.

No ponga a funcionar la estufa sin tener el soporte antivuelco instalado y asegurado.

No seguir estas instrucciones puede ocasionar la muerte o quemaduras graves en niños y adultos.

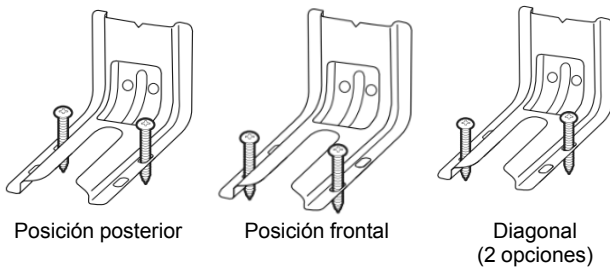
1. Retire el soporte antivuelco de donde está fijado con cinta adhesiva dentro del cajón de calentamiento, cajón de almacenamiento, o cajón del almacenamiento premium.
2. Decida qué método de montaje usará: en el piso o en la pared. Si tiene piso de piedra o de mampostería, puede usar el método de montaje en la pared. Si instala la cocina en una casa rodante, deberá fijarla al piso.
3. Determine y marque la línea central del espacio del recorte. El montaje puede instalarse en el lado izquierdo o derecho del área recortada. Ubique el soporte de montaje contra la pared en el recorte de modo que la muesca en V del soporte esté a 12<sup>9</sup>/<sub>16</sub>" (31,9 cm) de la línea central, como se muestra.



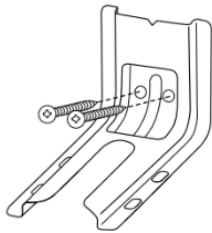
A. 12<sup>9</sup>/<sub>16</sub>" (31,9 cm)  
B. Muesca en V del soporte

4. Taladre dos orificios de 1/8" (3 mm), que coincidan con los orificios del soporte para el método de montaje que haya determinado. Consulte las ilustraciones a continuación.

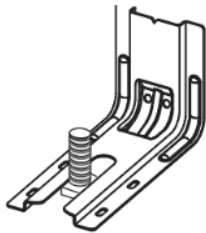
#### Montaje a través del piso



#### Montaje a través de la pared



5. Con un destornillador Phillips, monte el soporte antivuelco a la pared o al piso con los dos tornillos #12 x 1 5/8" (4,1 cm) suministrados.
6. Mueva la cocina lo suficiente cerca de la abertura para permitir que se hagan las conexiones finales de gas y eléctricas. Quite la base de transporte, cartón o madera que se encuentra debajo de la cocina.
7. Mueva la cocina a su ubicación final, asegurándose de que la pata niveladora trasera se deslice en el soporte anti-vuelco.



8. Mueva la cocina hacia delante sobre la base de transporte, el cartón o la madera para continuar instalándola usando las instrucciones de instalación a continuación.

## Conexión del suministro de gas

### ⚠ ADVERTENCIA



#### Peligro de explosión

Use una línea de suministro de gas nueva con aprobación de CSA International.

Instale una válvula de cierre.

Apriete firmemente todas las conexiones de gas.

Si se conecta a un suministro de gas propano, una persona calificada debe verificar que la presión del gas no exceda una columna de agua de 14" (36 cm).

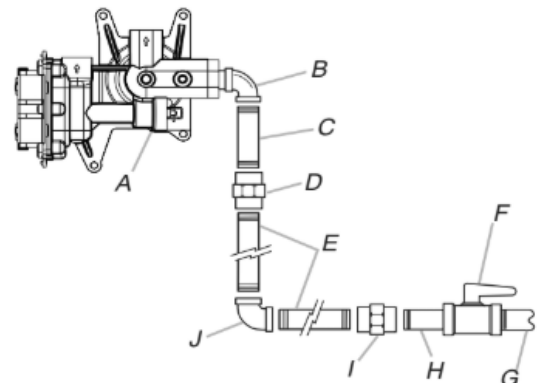
Ejemplos de una persona calificada incluyen personal de servicio del sistema de calefacción con licencia, personal autorizado de la compañía de gas y personal autorizado para dar servicio.

No seguir esta instrucción puede ocasionar la muerte, explosión o incendio.

#### Conexión típica de la tubería rígida

Se debe usar una combinación de tubos de unión para conectar la cocina a la línea de suministro de gas existente. Sus conexiones pueden ser distintas, de acuerdo con el tipo de línea de suministro, tamaño y ubicación.

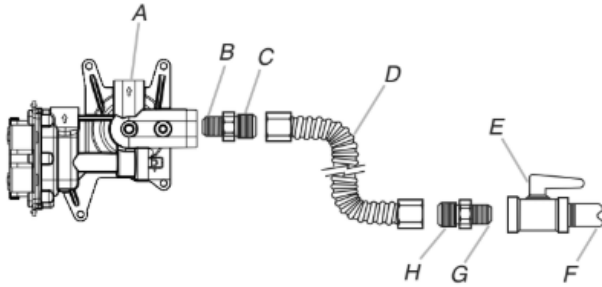
1. Aplique compuesto para unión de tuberías apto para el uso con gas propano en los extremos de todas las conexiones roscadas.
2. Use una llave para tubería para apretar y conecte el suministro de gas a la cocina.



- |   |   |
|---|---|
| A. Regulador de presión de gas  | F. Válvula de gas de cierre manual              |
| B. Codo de 90° (debe tener una rosca macho para tubería de 1/3" [1,2 cm]) | G. Tubo de gas de 1/2" (1,3 cm) o 3/4" (1,9 cm) |
| C. Niple  | H. Niple  |
| D. Unión  | I. Unión  |
| E. Tubo de hierro negro   | J. Codo de 90°                                  |

## Conexión flexible típica

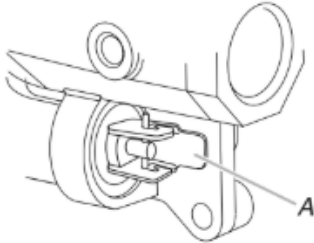
1. Aplique compuesto para unión de tuberías apto para uso con gas propano en los extremos roscados más pequeños de los adaptadores del conector flexible (consulte B y G en la ilustración que sigue).
2. Fije un adaptador al regulador de la presión del gas y el otro adaptador a la válvula de cierre de gas. Apriete ambos adaptadores.
3. Use una llave de combinación de 15/16" (2,4 cm) y una llave regulable para fijar el conector flexible a los adaptadores. Cerciórese de que el conector no esté retorcido.



- |   |   |
|---|---|
| A. Regulador de la presión de gas             | E. Válvula de gas de cierre manual              |
| B. Use compuesto para juntas de tubería.      | F. Tubo de gas de 1/2" (1,3 cm) o 3/4" (1,9 cm) |
| C. Adaptador (debe tener una rosca macho para | G. Use compuesto para uniones de tubería.       |
| D. Conector flexible                          | H. Adaptador                                    |

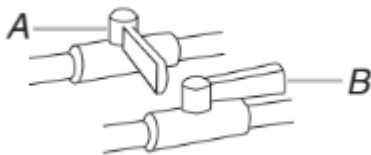
## Complete la conexión

1. Verifique que la válvula de cierre del regulador de presión de gas esté en la posición "abierta"



- A. Válvula de cierre del regulador de presión de gas en la posición ON (Abierta)

2. Abra la válvula de cierre manual de la línea de suministro de gas. La válvula está abierta cuando la manija está paralela a la tubería de gas.

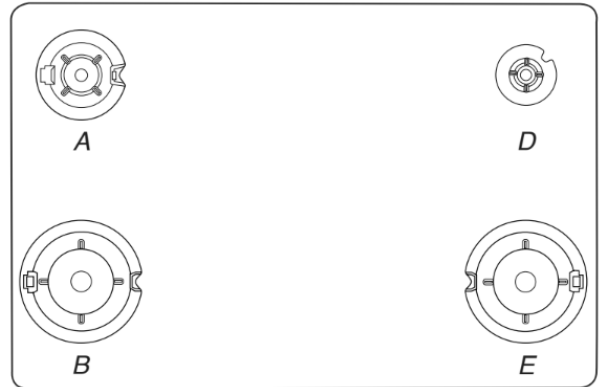


- A. Válvula cerrada  
B. Válvula abierta

3. Pruebe todas las conexiones aplicando con un pincel una solución aprobada para detección de fugas que no sea corrosiva. Si aparecen burbujas, significa que existe una fuga. Corrija cualquier fuga que encuentre.

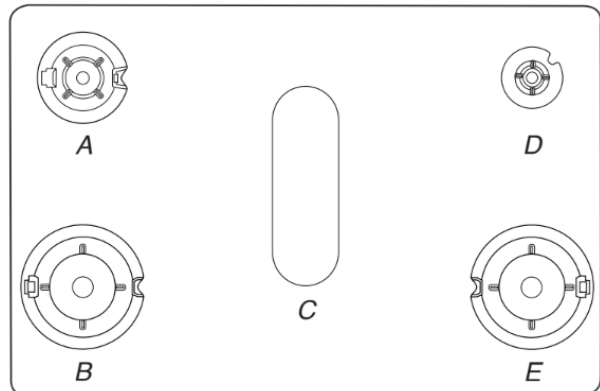
4. Saque las tapas y rejillas de los quemadores de la superficie de cocción del paquete de piezas. Coloque las bases de los quemadores como lo indica la ilustración siguiente para su modelo:

### Para modelos de 4 quemadores:



- |                          |                         |
|--------------------------|-------------------------|
| A. Mediano (Semirrápido) | D. Pequeño (Auxiliar)   |
| B. Grande (Ultrarápido)  | E. Grande (Ultrarápido) |

### Para modelos de 5 quemadores:



- |                          |                         |
|--------------------------|-------------------------|
| A. Mediano (Semirrápido) | D. Pequeño (Auxiliar)   |
| B. Grande (Ultrarápido)  | E. Grande (Ultrarápido) |
| C. Ovalado (OV)          |                         |

- Coloque las tapas de los quemadores sobre las bases de los quemadores apropiados.

**IMPORTANTE:** Las bases de las tapas pequeñas e intermedias son distintas. No coloque una tapa de quemador equivocada sobre la base del quemador. La tapa de cada quemador redondo está marcada con una AUX, SR, UR que coincide con una letra en la base del quemador.



Tapa pequeña  
(Auxiliar)



Tapa mediana  
(Semirrápido)



Tapa grande  
(Ultrarápido)

## ⚠ ADVERTENCIA



### Peligro de Choque Eléctrico

**Conecte a un tomacorriente con conexión a tierra de 3 terminales.**

**No quite la terminal d conexión a tierra.**

**No use un adaptador.**

**No use un cable eléctrico de extensión**

**No seguir estas instrucciones puede ocasionar la muerte, incendio o choque eléctrico.**

- Enchufe el aparato a un tomacorriente de 3 terminales con conexión a tierra.
- Deslice la estufa hasta su ubicación final y asegúrese de que la pata niveladora posterior se deslice dentro del soporte antivuelco.

## Verifique que el soporte anti-vuelco esté instalado y enganchado

### En las cocinas con un cajón de almacenamiento:

- Retire el cajón de almacenamiento. Consulte la sección "Cajón de almacenamiento".
- Use una linterna para mirar debajo de la parte inferior de la cocina.
- Verifique visualmente que la pata trasera de la cocina esté insertada en la ranura del soporte antivuelco.

## En las cocinas con un cajón de calentamiento o cajón de almacenamiento premium:

- Coloque el lado externo del pie contra la parte delantera inferior del cajón de calentamiento o el cajón de almacenamiento premium; después, aferre el lado inferior derecho o izquierdo del panel de control, como se muestra.

**NOTA:** Si el mostrador está montado con salpicadero, tal vez sea necesario levantar la cocina más alto de lo que se muestra en la ilustración.



- Intente inclinar lentamente la cocina hacia adelante. Si enseguida siente resistencia, quiere decir que la pata de la cocina está enganchada en el soporte anti-vuelco.
- Si la parte posterior de la cocina se separa más de 1/2" (1,3 cm) del piso sin resistencia, deje de inclinar la cocina y descíndala con suavidad nuevamente al piso. La pata de la cocina no está enganchada en el soporte antivuelco.

**IMPORTANTE:** Si hay un sonido de estallido o explosión cuando se levanta la cocina, es posible que no esté completamente enganchada en el soporte. Revise si hay obstrucciones que impiden que la cocina se deslice hacia la pared o impiden que la pata de la cocina se deslice en el soporte. Verifique que el soporte se mantenga seguro en el lugar con los tornillos de montaje.

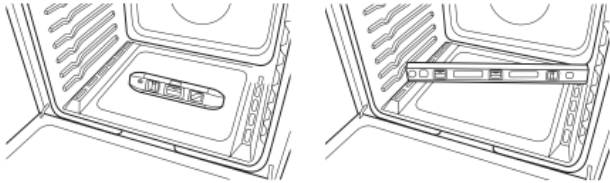
- Deslice la cocina hacia adelante y verifique que el soporte esté fijado firmemente al piso o a la pared.
  - Deslice la cocina hacia atrás de modo que la pata trasera quede insertada en la ranura del soporte antivuelco.
- IMPORTANTE:** Si la parte posterior de la cocina se separa más de 2" (5,1 cm) de la pared de montaje, es posible que la pata posterior de la cocina no se haya enganchado con el soporte. Deslice hacia adelante la cocina para determinar si hay una obstrucción entre la cocina y la pared de montaje. Los cambios en el suministro de gas deberán ser realizados por un técnico de servicio calificado. Si necesita asistencia o servicio técnico, consulte la sección "Asistencia o servicio técnico" del Manual de uso y cuidado o la sección "Garantía" de las Instrucciones del usuario para ver la información de contacto.
- Repita los pasos 1 y 2 para cerciorarse de que la pata de la cocina esté enganchada en el soporte anti-vuelco. Si la parte posterior de la cocina se separa más de 1/2" (1,3 cm) del piso sin resistencia, es posible que el soporte antivuelco no se haya instalado correctamente. No ponga a funcionar la cocina sin tener el soporte antivuelco instalado y asegurado. Para contactar al servicio técnico, consulte la sección "Ayuda o servicio técnico" en el Manual de uso y cuidado, la portada o la sección "Garantía" de las Instrucciones para el usuario.

## Nivelación de la cocina

Para determinar si tiene tecnología AquaLift® o limpieza con vapor, consulte la sección "Cuidado de la cocina" en las Instrucciones del usuario.

### Para cocinas con tecnología AquaLift® o limpieza con vapor:

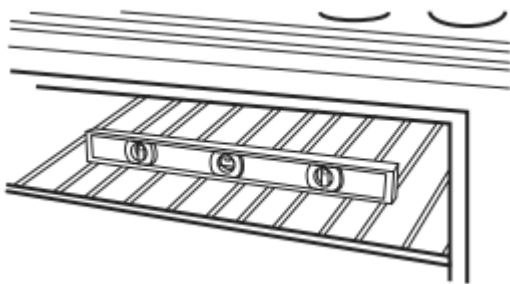
1. Coloque un nivel sobre el piso del horno, como se indica en una de las dos figuras a continuación, según el tamaño del nivel. Verifique con el nivel de lado a lado y del frente hacia la parte posterior.



2. Si la cocina no está nivelada, jale la cocina hacia adelante hasta quitar la pata niveladora posterior del soporte antivuelco.
3. Siga las indicaciones del estilo 1 o del estilo 2, según el estilo de cajón suministrado con la cocina.

### Para cocinas sin tecnología AquaLift® o limpieza con vapor:

1. Coloque una parrilla plana estándar en el horno.
2. Coloque el nivel sobre la parrilla y revise el nivel de la cocina, primero de lado a lado y luego de adelante hacia atrás.



3. Si la cocina no está nivelada, jale la cocina hacia adelante hasta quitar la pata niveladora posterior del soporte antivuelco.
4. Siga las indicaciones del estilo 1 o del estilo 2, según el estilo de cajón suministrado con la cocina.

### Estilo 1: En las cocinas con cajón de almacenamiento:

Use un trinquete de 1/4" (6,4 mm), una llave o pinzas para regular las patas niveladoras hacia arriba o hacia abajo hasta que la cocina esté nivelada. Empuje la cocina a su posición final. Verifique que la pata niveladora trasera esté enganchada en el soporte antivuelco.

### Estilo 2: Cocinas con cajón de calentamiento o cajón de almacenamiento premium:

Use una llave o pinzas para regular las patas niveladoras hacia arriba o hacia abajo hasta que la cocina esté nivelada. Empuje la cocina a su posición final. Verifique que la pata niveladora trasera esté enganchada en el soporte antivuelco.

**NOTA:** La cocina debe estar nivelada para un rendimiento satisfactorio del horneado y resultados óptimos de la limpieza con las funciones de tecnología AquaLift® y limpieza con vapor.

## Sistema de encendido electrónico

### Encendido inicial y regulación de las llamas de gas

Los quemadores de la superficie de cocción y el horno usan un encendedor electrónico en lugar de pilotos permanentes. Cuando se gira la perilla de control de la superficie de cocción a la posición "LITE" (Encendido), el sistema genera una chispa para encender el quemador. La chispa continuará mientras la perilla de control esté en "LITE" (Encendido).

Cuando se gira el control del horno hasta el ajuste deseado, se producen chispas y se enciende el gas.

### Verifique el funcionamiento de los quemadores de la superficie de cocción

#### Quemadores de superficie estándar

Empuje hacia adentro y gire cada perilla de control hasta la posición "LITE" (Encendido).

La llama debe encenderse en menos de 4 segundos. La primera vez que encienda un quemador, puede tardar más de 4 segundos debido a la presencia de aire en la línea de gas.

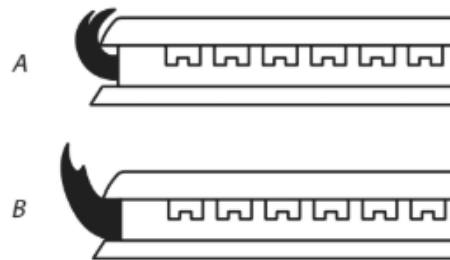
#### Si los quemadores no se encienden como es debido:

- Gire la perilla del control de la superficie de cocción hasta la posición "OFF" (Apagado).
- Compruebe que la cocina esté enchufada. Compruebe que el disyuntor no se haya disparado o el fusible de la casa no se haya quemado.
- Verifique que las válvulas de cierre de gas estén en la posición de OPEN (Abierto).
- Verifique que las tapas de los quemadores estén en la posición correcta sobre las bases.

Repita la puesta en marcha. Si en este punto hay un quemador que no se enciende, gire las perillas de control hasta la posición "OFF" (Apagado) y póngase en contacto con el distribuidor o con una compañía de servicio autorizada para pedir asistencia.

### Cómo ajustar la altura de la llama

Regule la altura de la llama de los quemadores superiores. La llama "baja" de los quemadores de la superficie de cocción debe ser azul, estable y de aproximadamente 1/4" (6,4 mm) de altura.



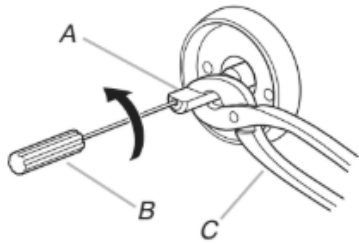
A. Llama baja  
B. Llama alta

### Para regular quemadores estándar:

La llama puede regularse con el tornillo de regulación que hay en el centro del vástago de la válvula. El vástago de la válvula está directamente debajo de la perilla de control.



### Si es necesario regular la llama "baja":

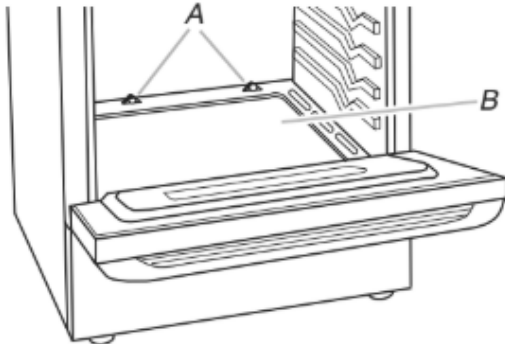


- A. Vástago de la perilla de control
- B. Destornillador
- C. Pinzas

1. Encienda un quemador y llévelo hasta el ajuste más bajo.
2. Retire la perilla de control.  
Sostenga el vástago de la perilla con una pinza. Use un destornillador pequeño de hoja plana para girar el tornillo del centro del vástago de la perilla de control hasta que la llama sea del tamaño adecuado.
3. Vuelva a colocar la perilla de control.
4. Pruebe la llama girando el control de "LO" (Bajo) a "HI" (Alto) y verifique la llama en cada posición.
5. Repita los pasos anteriores para cada quemador.

### Verifique el funcionamiento del quemador de hornear del horno

1. Saque la parrilla del horno.
2. Para retirar el piso del horno: Retire los 2 tornillos que hay en la parte posterior del piso del horno. Levante la parte posterior del piso del horno hacia atrás hasta que la parte frontal del panel esté fuera del marco frontal. Retire del horno y coloque sobre una superficie cubierta.



- A. Tornillos
- B. Piso del horno

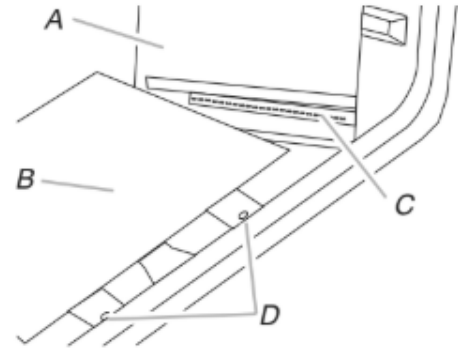
3. Puede verificar la llama quitando el dispersor de llama o usando un espejo.

### Cómo quitar el dispersor de llama:

Saque los 2 tornillos de las lengüetas frontales del dispersor de llama. Levante la parte frontal del dispersor de llama y jale hacia adelante para quitar las lengüetas de la parte posterior del horno.

### Usando un espejo:

Inserte un espejo a un lado del quemador. Mire en el espejo para verificar la llama.



- A. Espejo
- B. Dispersor de llama
- C. Reflejo de la llama
- D. 2 tornillos

4. Presione la tecla BAKE (Hornear).
5. Presione la tecla START (Inicio).

El quemador de hornear del horno debe encenderse en menos de 8 segundos. En ciertas condiciones, es posible que el quemador demore hasta 50 o 60 segundos en encenderse.

Los encendedores electrónicos se usan para encender los quemadores de hornear y de asar.

Consulte el Manual de uso y cuidado o las Instrucciones para el usuario para ver el funcionamiento correcto de los controles del horno.

### Falla de alimentación

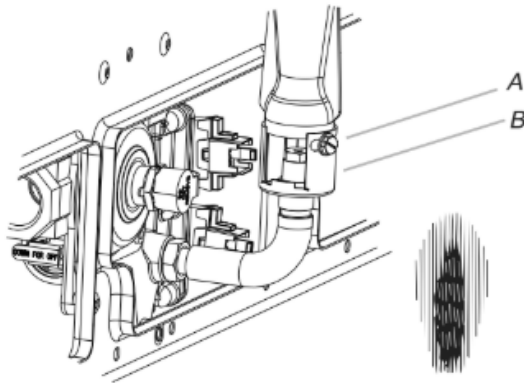
En el caso de un corte de corriente prolongado, los quemadores de la superficie pueden encenderse manualmente. Sostenga un cerillo encendido cerca del quemador y gire la perilla en el sentido antihorario hasta la posición "LITE" (Encendido). Gire la perilla a la posición deseada luego de que se encienda el quemador.

### Cómo regular la llama del quemador de hornear del horno (si es necesario)

1. En los modelos con cajón de calentamiento, quite la placa de la cubierta de acceso (1 tornillo) ubicada detrás del compartimiento del cajón de calentamiento.
2. Verifique el quemador de hornear del horno para ver si la llama es adecuada.

Esta llama debe tener un cono interno de 1/2" (1,3 cm) de longitud de color verde azulado con un manto externo de color azul oscuro y debe ser nítida y suave. No debe haber llamas con puntas amarillas, explotando ni levantadas.

3. Si necesita ajustar la llama de hornear del horno, ubique el obturador de aire cerca de la parte posterior central de la cocina. Afloje el tornillo de sujeción y rote el obturador de aire hasta que aparezca la llama adecuada. Apriete el tornillo de sujeción.



A. Tornillo de sujeción  
B. Obturador de aire

4. Presione CANCEL/OFF (Cancelar/Apagar) cuando termine.
5. Vuelva a instalar el dispensador de llama y la cubierta del quemador de hornear del horno.

### Verifique el funcionamiento del quemador de asar del horno

1. Cierre la puerta del horno.
2. Presione la tecla BROIL (Asar a la parrilla).
3. Presione la tecla START (Inicio).

El quemador del horno debe encenderse en menos de 8 segundos. En ciertas condiciones, es posible que el quemador demore hasta 50 o 60 segundos en encenderse. Consulte el Manual de uso y cuidado o las Instrucciones para el usuario para ver el funcionamiento correcto de los controles del horno.

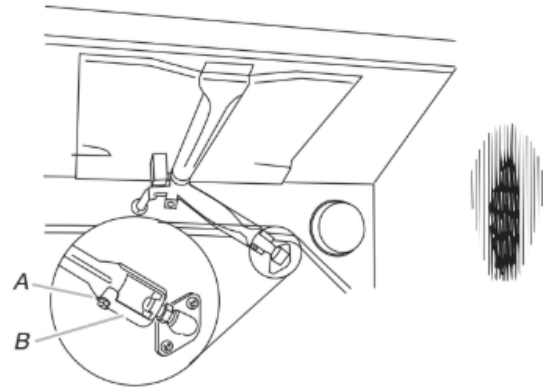
### Cómo regular la llama del quemador de asar a la parrilla del horno (si es necesario)

Mire a través de la ventana del horno para verificar si la llama del quemador del asador es adecuada. Esta llama debe tener un cono interno de 1/2" (1,3 cm) de longitud de color verde azulado con un manto externo de color azul oscuro y debe ser nítida y suave. No debe haber puntas amarillas, explosiones ni elevaciones de la llama.

#### Si la llama debe ser ajustada:

1. Afloje el tornillo de sujeción en el obturador de aire que en la parte posterior del quemador de asar.
2. Regule el obturador de aire según sea necesario.

3. Apriete el tornillo de sujeción.



A. Tornillo de sujeción  
B. Obturador de aire

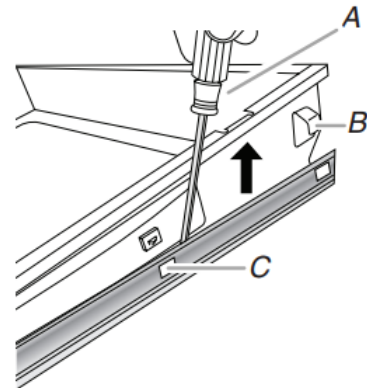
4. Presione CANCEL/OFF (Cancelar/Apagar) cuando haya terminado.

## Cajón de calentamiento o cajón de almacenamiento premium (en algunos modelos)

Retire todos los elementos que haya dentro del cajón de calentamiento o el cajón de almacenamiento premium y espere hasta que la cocina se enfríe por completo antes de intentar retirar el cajón.

#### Para retirarla:

1. Abra el cajón de calentamiento o el cajón de almacenamiento premium por completo.
2. Con un destornillador de punta plana, afloje con cuidado el cajón de calentamiento o el cajón de almacenamiento premium de la muesca de alineación deslizante y levante la lengüeta de alineación del cajón de la guía de deslizamiento.

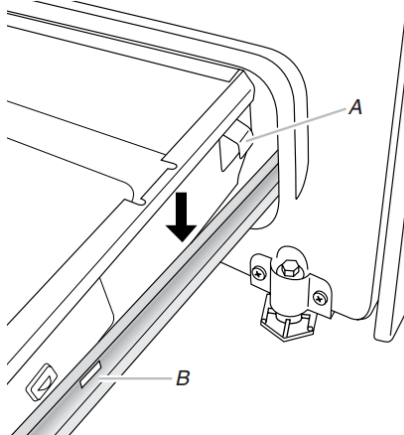


A. Destornillador de hoja plana  
B. Lengüeta de alineación del cajón  
C. Muesca de deslizamiento del cajón

3. Repita el paso 2 en el otro lado. El cajón de calentamiento o el cajón de almacenamiento premium ya no están sujetos a las guías del cajón. Con las dos manos, levante el cajón para completar el retiro.

**Para cambiarla:**

1. Alinee las muescas de la parte de adelante del cajón con las muescas en las guías del cajón las cuales están ubicadas a ambos lados. Inserte las lengüetas de alineación de la parte trasera en las guías del cajón en ambos lados.



A. Lengüeta de alineación del cajón  
B. Muesca de deslizamiento del cajón

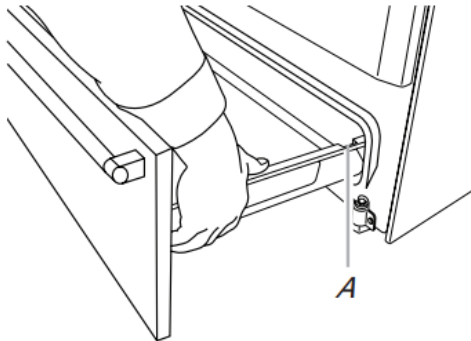
2. Empuje el cajón de calentamiento o el cajón de almacenamiento premium por completo hacia adentro.
3. Abra y cierre el cajón con cuidado para asegurarse de que esté bien encajado sobre las guías a ambos lados.

## Cajón de almacenamiento (en algunos modelos)

El cajón de almacenamiento puede retirarse. Antes de retirarlo, cerciórese de que esté frío y vacío.

**Para retirarla:**

1. Tire del cajón de almacenamiento en sentido recto hacia atrás hasta el tope.



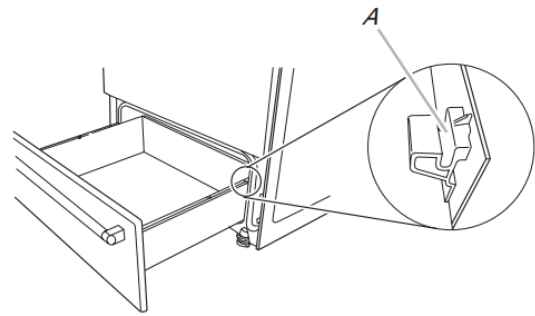
A. Muesca de tope del cajón

2. Levante el frente del cajón y tire del cajón hacia afuera.

**Para cambiarla:**

1. Levante el frente del cajón y coloque la parte posterior del cajón dentro de la cocina de modo que la muesca de tope del cajón quede detrás de la guía del cajón.
2. Descienda el cajón de modo que el borde del riel de deslizamiento caiga dentro de la ranura en la guía del cajón.

3. Empuje lentamente el cajón dentro de la cocina.



A. Enganche la guía del cajón.

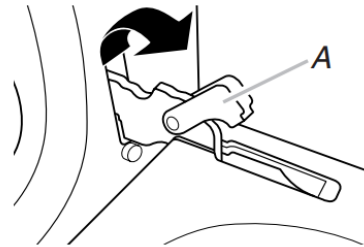
**NOTA:** Cuando están correctamente instaladas, las guías deslizantes posteriores de la base del cajón se engancharán con los rieles de la base y el cajón no se inclinará cuando se coloquen elementos en su interior.

## Puerta del horno

Para el uso normal de la cocina, se sugiere no retirar la puerta del horno. Sin embargo, si es necesario retirarla, asegúrese de que el horno esté apagado y frío. Después, siga estas instrucciones. La puerta del horno es pesada.

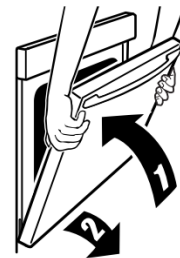
**Para retirarla:**

1. Abra por completo la puerta del horno.
2. Pellizque la traba de la bisagra con 2 dedos y tire hacia adelante. Repita en el otro lado de la puerta del horno.



A. Traba de bisagra

3. Cierre la puerta del horno tanto como sea posible.
4. Levante la puerta del horno sosteniéndola de ambos lados. Continúe empujando la puerta del horno para cerrarla y extráigala del marco de la puerta del horno.



### Para cambiarla:

1. Inserte los dos brazos de suspensión en la puerta.



2. Abra la puerta del horno.  
Debe escuchar un chasquido cuando la puerta quede en su lugar.
3. Mueva las palancas de la bisagra nuevamente a la posición trabada. Verifique que la puerta pueda abrirse y cerrarse bien. De lo contrario, repita los procedimientos para retirar e instalar la puerta.

## Completar la instalación

1. Verifique que todas las piezas estén ahora instaladas. Si sobra alguna pieza, vuelva a revisar todos los pasos para ver cuál se omitió.
2. Verifique que tenga todas las herramientas.
3. Deseche o recicle todo el material de embalaje.
4. Verifique que la cocina esté nivelada. Consulte la sección "Nivelación de la cocina".
5. Use una solución suave de limpiador doméstico líquido y agua tibia para quitar el residuo ceroso que deje el material de embalaje. Seque meticulosamente con un paño suave. Para más información, consulte la sección "Cuidado de la cocina" del Manual de uso y cuidado o las Instrucciones del usuario.
6. Consulte el Manual de uso y cuidado para obtener instrucciones de operación.
7. Encienda los quemadores de superficie y el horno. Consulte el Manual de uso y cuidado o las Instrucciones del usuario para obtener instrucciones específicas sobre el funcionamiento de la cocina.

### Si la cocina no funciona, revise lo siguiente:

- Que el fusible de la casa esté intacto y apretado, o que no se haya disparado el disyuntor.
  - Que la cocina esté enchufada en un tomacorriente de 3 terminales con conexión a tierra.
  - Que el suministro eléctrico esté conectado.
  - Vea la sección "Solución de problemas" del Manual de uso y cuidado o las Instrucciones del usuario.
8. Cuando la cocina haya estado encendida durante 5 minutos, verifique que haya calor. Si la cocina está fría, apáguela y revise que la válvula de cierre de la línea de suministro de gas esté abierta.
    - Si la válvula de cierre de la línea de suministro de gas está cerrada, ábrala y repita la prueba de 5 minutos como se describió antes.
    - Si la válvula de cierre de la línea de suministro de gas está abierta, presione el botón CANCEL (Cancelar) en el panel de control del horno y póngase en contacto con un técnico calificado.

### Si necesita ayuda o servicio técnico:

Consulte la sección "Ayuda o servicio técnico" del Manual de uso y cuidado, la portada de las Instrucciones de uso o póngase en contacto con el distribuidor en donde compró la cocina.

## CONVERSIONES DE GAS

Las conversiones de gas natural a gas propano o de gas propano a gas natural deberán ser hechas por un instalador competente.

### ⚠ ADVERTENCIA



#### Peligro de Explosión

Use una línea de suministro de gas nueva con aprobación de CSA International.

Instale una válvula de cierre.

Apriete firmemente todas las conexiones de gas.

Si se conecta a un suministro de gas propano, la presión no debe exceder una columna de agua de 36 cm (14") y debe ser verificada por una persona calificada.

Ejemplos de una persona calificada incluyen: personal de servicio del sistema de calefacción con licencia, personal autorizado de la compañía de gas, y personal autorizado para dar servicio.

No seguir estas instrucciones puede ocasionar la muerte, explosión o incendio.

### ⚠ WARNING:

**Este juego de conversión deberá ser instalado por una agencia de servicio competente de acuerdo con las instrucciones del fabricante y con todos los códigos y requisitos aplicables por parte de la autoridad competente. Si no se sigue con exactitud la información de estas instrucciones, puede ocurrir un incendio, explosión o producción de monóxido de carbono, lo que puede causar daños a la propiedad, heridas personales o la muerte. La agencia de servicio competente es la responsable de la instalación adecuada de este juego. La instalación no está correcta y terminada hasta que el funcionamiento del aparato convertido se verifique como se especifica en las instrucciones del fabricante que se suministran con este kit.**

# Conversión a gas propano

## ⚠ ADVERTENCIA



### Peligro de Vuelco

Un niño o un adulto puede volcar accidentalmente la estufa y resultar muerto.

Instale el soporte antivuelco fijado al piso o a la pared según las instrucciones de instalación.

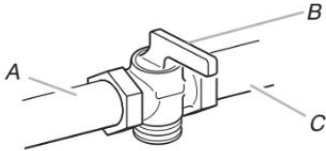
Deslice la estufa hacia atrás de modo que la pata trasera quede enganchada en la ranura del soporte antivuelco.

Si traslada de lugar la estufa, vuelva a asegurar el soporte antivuelco.

No ponga a funcionar la estufa sin tener el soporte antivuelco instalado y asegurado.

No seguir estas instrucciones puede ocasionar la muerte o quemaduras graves en niños y adultos.

1. Lleve la válvula de cierre manual a la posición cerrada.



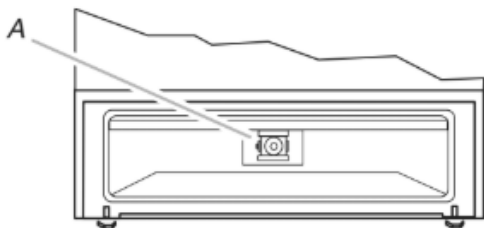
- A. A la cocina
- B. Válvula de cierre manual en la posición "cerrada"
- C. Línea de suministro de gas

2. Desenchufe la cocina o desconecte el suministro de energía.

### Para convertir el regulador de presión de gas (de gas natural a gas propano)

1. Retire el cajón de almacenamiento, el cajón de calentamiento o el cajón de almacenamiento premium. Consulte la sección "Cajón de almacenamiento", "Cajón de calentamiento" o "Cajón de almacenamiento premium".
2. Ubique el regulador de la presión de gas en la parte posterior del compartimiento del cajón de almacenamiento o de calentamiento.

**NOTA:** En modelos con cajón de calentamiento, se debe retirar una cubierta de acceso para llegar al regulador de presión de gas.



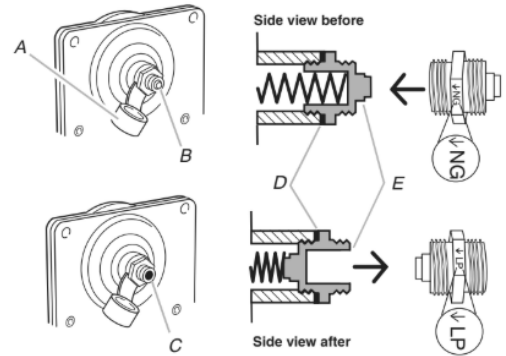
A. Regulador de la presión de gas

**IMPORTANTE:** No retire el regulador de presión de gas.

3. Retire la cubierta plástica de la tapa del regulador de presión de gas.

4. Gire la tapa del regulador de presión de gas en sentido antihorario con una llave de combinación de 5/8" (1,6 cm) para retirarla.

**NOTA:** No quite el resorte que está debajo de la tapa.

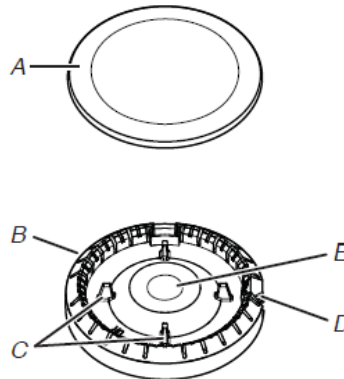


- A. Cubierta de plástico
- B. Tapa del regulador de presión de gas con el extremo macizo mirando hacia afuera
- C. Tapa del regulador de presión de gas con el extremo hueco mirando hacia afuera
- D. Arandela
- E. Tapa del regulador de presión de gas

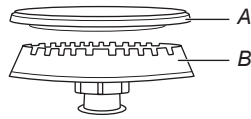
5. Invierta la tapa del regulador de presión de gas y vuelva a instalarla sobre el regulador de modo que el extremo hueco mire hacia afuera y la marca "LP" mire en la dirección que se muestra en la ilustración anterior.
6. Vuelva a colocar la cubierta plástica sobre la tapa del regulador de presión de gas.

### Para convertir quemadores de superficie (de gas natural a gas propano)

1. Retire la tapa del quemador.
2. Retire la base del quemador.



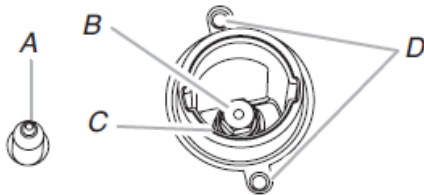
- A. Tapa de quemador
- B. Base del quemador
- C. Espigas de alineación
- D. Electrodo encendedor
- E. Abertura del tubo de gas



### Quegador grande

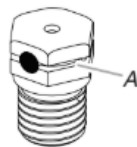
- A. Tapa de quemador
- B. Base del quemador

3. Aplique cinta adhesiva protectora al extremo de un sacatuercas de 9/32" (7 mm) para ayudar a mantener el tornillo de los orificios de gas natural en el sacatuercas mientras lo cambia. Presione hacia abajo el destornillador sobre el tornillo de los orificios de gas y sáquelo girándolo hacia la izquierda y levantándolo hacia afuera. Reserve el tornillo de los orificios de gas.



- A. Electrodo encendedor
- B. Tornillo de orificio
- C. Soporte de tornillo de orificio
- D. Tornillos

4. Retire los tornillos de los orificios del soporte en que se envían en el empaque con documentos en el horno. Los tornillos de los orificios de gas están estampados con un número, marcado con un círculo de color y tienen una muesca en el área hexagonal. Reemplace el tornillo de los orificios de gas natural con el tornillo de los orificios de gas propano que sea correcto.



A. Ranura de propano

Consulte la tabla siguiente para conocer la ubicación correcta del tornillo de los orificios de gas propano.

#### Tabla de los tornillos de los orificios de gas propano para quemadores de superficie

Colocación	Clasificación/ Tipo de quemador	Tamaño (mm)	Número de identificación
Parte frontal izquierda	14,200 BTU	1,08	108AM
Parte trasera izquierda	8,000 BTU	0,84	084AM
Parte frontal derecha	14,200 BTU	1,08	108AM

Parte trasera derecha	5,000 BTU	0,64	064AM
Parte central	8,000 BTU	0,84	084AM

**NOTA:** Consulte la placa que indica modelo/serie/valores nominales, ubicada en el marco del horno detrás de la parte superior del lado izquierdo de la puerta del horno, para ver el tamaño correcto de los tornillos para cada ubicación de quemador.

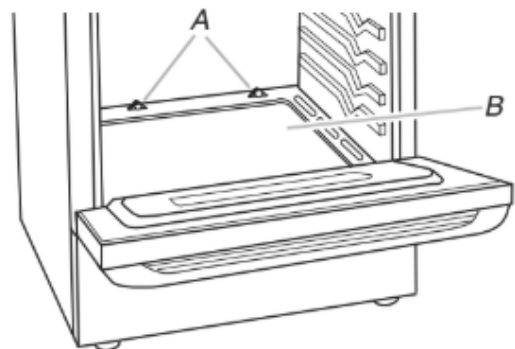
5. Coloque los tornillos de los orificios de gas natural en la bolsa de tornillos de los orificios.

**IMPORTANTE:** Conserve los tornillos de los orificios de gas natural en caso de que se realice la reinstalación con gas natural.

6. Vuelva a colocar la base del quemador.
7. Vuelva a colocar la tapa del quemador.
8. Repita los pasos 1 a 7 para los quemadores restantes.

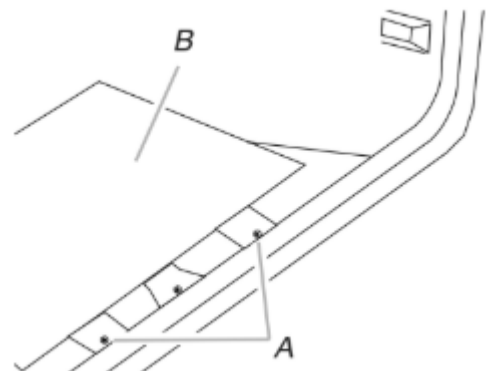
#### Para convertir el quemador de hornear del horno (de gas natural a gas propano)

1. Saque las rejillas del horno.
2. Retire los 2 tornillos que hay en la parte posterior del piso del horno.
3. Levante la parte posterior del piso del horno hacia atrás hasta que la parte frontal del panel esté fuera del marco frontal. Retire del horno y reserve sobre una superficie cubierta.



- A. Tornillos
- B. Piso del horno

4. Saque los 2 tornillos de las lengüetas frontales del dispersor de llama. Levante la parte frontal del dispersor de llama y jale hacia delante para quitar las lengüetas de la parte posterior del horno. Resérvelas en una superficie cubierta.

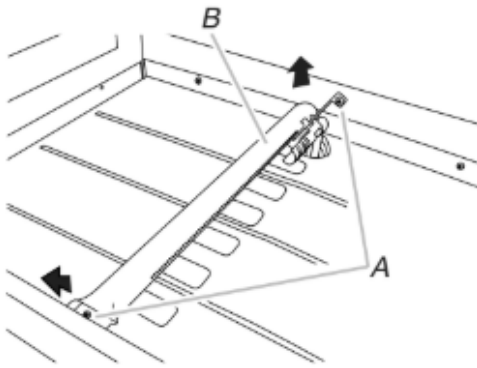


- A. Tornillos
- B. Dispersor de llama

5. Retire los 2 tornillos del quemador de hornear.



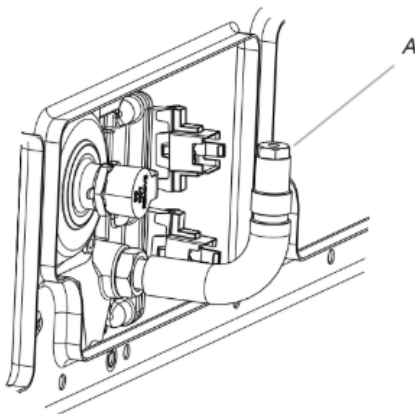
- Deslice el frente del quemador de hornear hacia el costado para retirar la lengüeta de la parte frontal del horno. Levante la parte posterior del quemador de hornear fuera del orificio del horno y reserve el quemador de hornear.



A. Tornillos  
B. Quemador para hornear

- Use un sacatuercas o una llave de combinación de 3/8" (1 cm) y gire en sentido antihorario el tornillo de orificios del quemador de hornear de gas natural para retirarlo. El tornillo tendrá grabado un número "49".
- Reemplace el tornillo con el "49" por uno con un "57". Para instalar el tornillo de los orificios del quemador de hornear de propano, gírelo en sentido horario hasta que esté firme.

**IMPORTANTE:** No apriete demasiado.



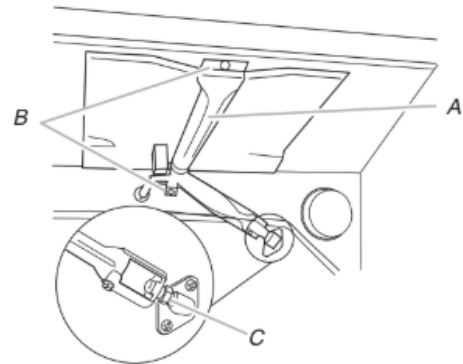
A. Tuerca

- Coloque la parte posterior del quemador de hornear sobre el orificio del horno y deslice la lengüeta situada en el frente del quemador de hornear hacia el frente del horno.
- Vuelva a instalar el quemador de hornear con 2 tornillos.
- Inserte las pestañas situadas en la parte trasera del dispersor de llama en la parte trasera del horno.
- Vuelva a conectar ambas lengüetas del dispersor de llama al horno con 2 tornillos.
- Ubique la parte frontal del panel del piso del horno hacia el marco frontal y baje la parte posterior del panel del piso del horno hacia adentro del horno.
- Vuelva a instalar el panel del piso del horno con 2 tornillos.

## Para convertir el quemador de asar a la parrilla del horno (de gas natural a gas propano)

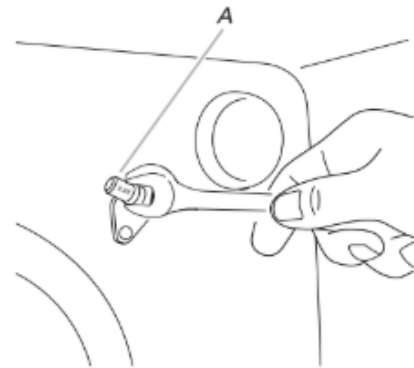
- Retire el tornillo del quemador para asar a la parrilla.
- Retire el quemador para asar a la parrilla de la campana del orificio del quemador para asar.

**NOTA:** El quemador para asar colgará en la parte posterior del horno mientras se cambia la campana del orificio.



A. Quemador para asar  
B. Tornillos  
C. Campana de orificio

- Utilice una llave de tuercas de 3/8" (1 cm) y gire a contrarreloj la campana de los orificios del quemador para asar a la parrilla de gas natural para quitarla. La campana tendrá grabado un número "53".
  - Reemplace la campana con el "53" por una con un "090". Para instalar la campana de los orificios del quemador para asar a la parrilla de gas natural, gírela en sentido horario hasta que esté firme.
- IMPORTANTE:** No apriete demasiado.
- Ubique el quemador para asar en la campana de los orificios del quemador e inserte el electrodo encendedor de cerámica del quemador en el orificio de la parte posterior del horno.



A. Campana de orificio

- Ubique el quemador para asar contra la parte superior del horno y sujételo con 2 tornillos.
- Vuelva a colocar el cajón de almacenamiento, el cajón de calentamiento o el cajón de almacenamiento premium. Consulte la sección "Cajón de almacenamiento", "Cajón de calentamiento" o "Cajón de almacenamiento premium".
- Vuelva a colocar la puerta del horno si fue retirada. Consulte la sección "Puerta del horno".
- Vuelva a colocar las rejillas del horno.



## Complete la instalación (de gas natural a gas propano)

1. Consulte la sección "Conexión del suministro de gas" para conectar la cocina correctamente al suministro de gas.
2. Consulte la sección "Sistema de encendido electrónico" para los ajustes apropiados de encendido, funcionamiento y llama del quemador.

**IMPORTANTE:** Tal vez tenga que modificar el ajuste "LO" (Bajo) para cada quemador de la superficie de cocción.

Es muy importante verificar que la llama del quemador de la superficie de cocción, de hornear y de asar sea adecuada. El cono interno pequeño debe tener una llama azul bien nítida de 1/4" a 1/2" (de 0,64 cm a 1,3 cm) de longitud. El cono externo no es tan nítido como el interno. Las llamas de gas propano tienen una punta de color ligeramente amarillo.

3. Consulte "Complete la instalación" en la sección "Instrucciones de instalación" de este manual para completar este procedimiento.

**NOTA:** Asegúrese de guardar los orificios que acaba de reemplazar en la conversión.

## Conversión a gas natural

### ⚠ ADVERTENCIA



#### Peligro de vuelco

Un niño o un adulto puede volcar accidentalmente la estufa y resultar muerto.

Instale el soporte antivuelco fijado al piso o a la pared según las instrucciones de instalación.

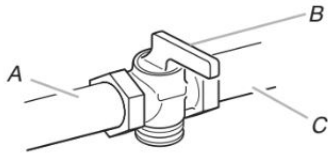
Deslice la estufa hacia atrás de modo que la pata trasera quede enganchada en la ranura del soporte antivuelco.

Si traslada de lugar la estufa, vuelva a asegurar el soporte antivuelco.

No ponga a funcionar la estufa sin tener el soporte antivuelco instalado y asegurado.

No seguir estas instrucciones puede ocasionar la muerte o quemaduras graves en niños y adultos.

1. Lleve la válvula de cierre manual a la posición cerrada.



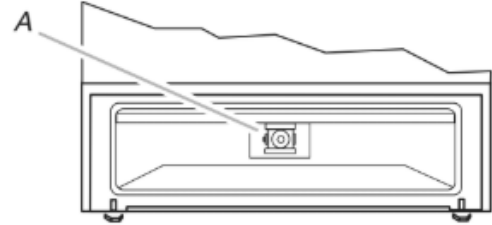
- A. A la cocina
- B. Válvula de cierre manual en la posición "cerrada"
- C. Línea de suministro de gas

2. Desenchufe la cocina o desconecte el suministro de energía.

## Para convertir el regulador de presión de gas (de gas propano a gas natural)

1. Retire el cajón de almacenamiento, el cajón de calentamiento o el cajón de almacenamiento premium. Consulte la sección "Cajón de almacenamiento", "Cajón de calentamiento" o "Cajón de almacenamiento premium".
2. Ubique el regulador de la presión de gas en la parte posterior del compartimiento del cajón de almacenamiento, del cajón de calentamiento o del cajón de almacenamiento premium.

**NOTA:** En modelos con cajón de calentamiento, se debe retirar una cubierta para llegar al regulador de presión de gas.

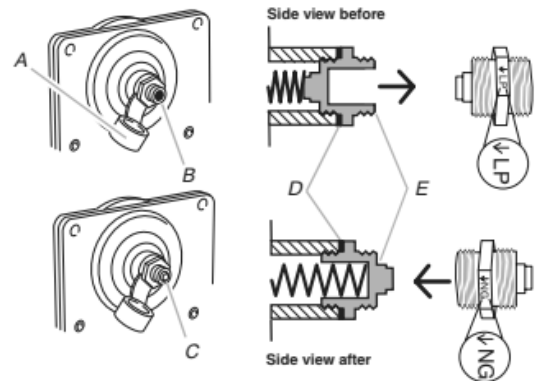


A. Regulador de la presión de gas

**IMPORTANTE:** No retire el regulador de presión de gas.

3. Retire la cubierta plástica de la tapa del regulador de presión de gas.
4. Gire la tapa del regulador de presión de gas en sentido antihorario con una llave de combinación de 5/8" (1,6 cm) para retirarla.

**NOTA:** No quite el resorte que está debajo de la tapa.

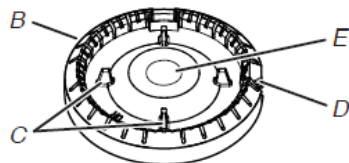
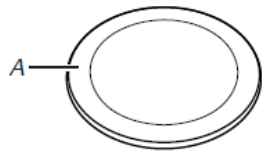


- A. Cubierta plástica
- B. Tapa del regulador de presión de gas con el extremo hueco mirando hacia afuera
- C. Tapa del regulador de presión de gas con el extremo macizo mirando hacia afuera
- D. Arandela
- E. Tapa del regulador de presión de gas

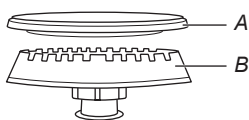
5. Invierta la tapa del regulador de presión de gas y vuelva a instalarla sobre el regulador de modo que el extremo macizo mire hacia afuera y la marca "↓NG" mire en la dirección que se muestra en la ilustración anterior.
6. Vuelva a colocar la cubierta plástica sobre la tapa del regulador de presión de gas.

## Para convertir quemadores de superficie (de gas propano a gas natural)

1. Retire la tapa del quemador.
2. Retire la base del quemador.



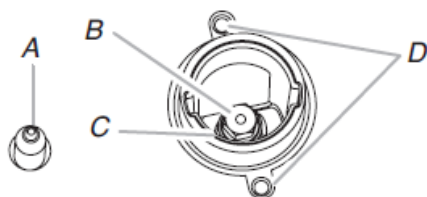
- A. Tapa de quemador
- B. Base del quemador
- C. Espigas de alineación
- D. Electrodo encendedor
- E. Abertura del tubo de gas



**Quegador grande**

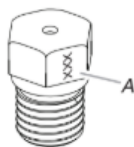
- A. Tapa de quemador
- B. Base del quemador

3. Aplique cinta adhesiva protectora al extremo de un sacatuercas de 9/32" (7 mm) para ayudar a mantener el tornillo de los orificios de gas natural en el sacatuercas mientras lo cambia. Presione hacia abajo el destornillador sobre el tornillo de los orificios de gas y sáquelo girándolo hacia la izquierda y levantándolo hacia afuera. Reserve el tornillo de los orificios de gas.



- A. Electrodo encendedor
- B. Tornillo de orificio
- C. Soporte de tornillo de orificio
- D. Tornillos

4. Los tornillos de los orificios de gas tienen grabado un número al costado. Reemplace el tornillo de los orificios de gas propano por el tornillo de los orificios de gas natural correcto.



- A. Número grabado

Retirer la douille de réduction de la base du très grand brûleur.  
Consulte la tabla siguiente para la ubicación correcta del tornillo de los orificios de gas natural.

**Cuadro de tornillos de los orificios de gas natural**

Categoría del quemador	Tamaño (mm)	Número de identificación
18,000 BTU	2,00	200AM
17,000 BTU	1,96	196AM
15,000 BTU	1,80	180AM
9,500 BTU	1,40	140AM
8,000 BTU	1,30	130AM
5,000 BTU	1,00	100AM

**NOTA:** consulte la placa que indica número de modelo y número de serie, ubicada en el marco del horno detrás de la parte superior del lado izquierdo de la puerta del horno, para ver el tamaño correcto de los tornillos para cada ubicación de quemador.

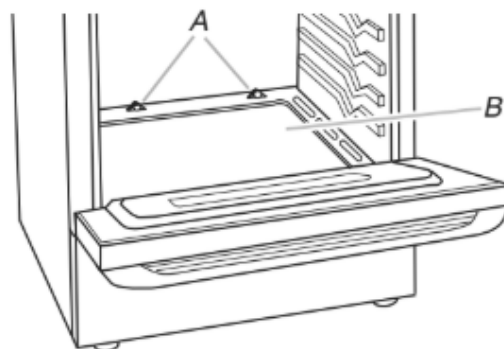
5. Coloque los tornillos de los orificios de gas propano en la bolsa de tornillos de los orificios.

**NOTA:** Conserve los tornillos de los orificios de gas propano en caso de que se haga la reinstalación con gas propano.

6. Vuelva a colocar la base del quemador.
7. Vuelva a colocar la tapa del quemador.
8. Repita los pasos 1 a 7 para los quemadores restantes.

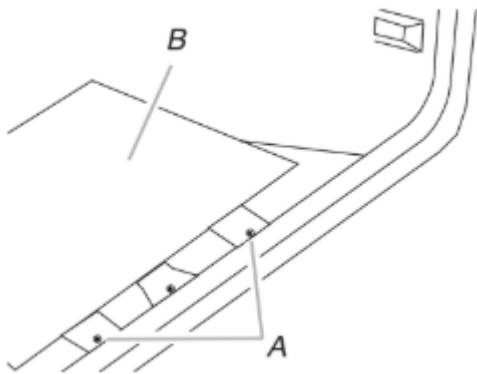
**Para convertir el quemador de hornear del horno (de gas propano a gas natural)**

1. Saque las rejillas del horno.
2. Retire los 2 tornillos que hay en la parte posterior del piso del horno.
3. Levante la parte posterior del piso del horno hacia atrás hasta que la parte frontal del panel esté fuera del marco frontal. Retire del horno y reserve sobre una superficie cubierta.



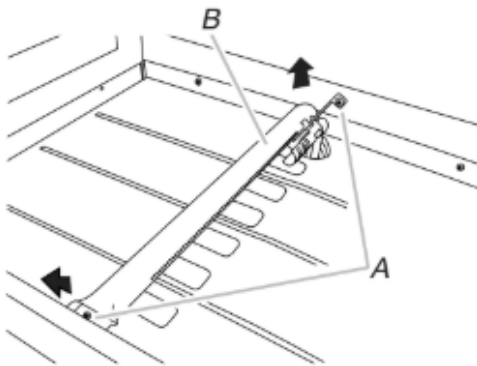
- A. Tornillos
- B. Piso del horno

4. Saque los 2 tornillos de las lengüetas frontales del dispersor de llama. Levante la parte frontal del dispersor de llama y jale hacia delante para quitar las lengüetas de la parte posterior del horno. Resérvelas en una superficie cubierta.



A. Tornillos  
B. Dispersor de llama

5. Retire los 2 tornillos del quemador de hornear.
6. Deslice el frente del quemador de hornear hacia el costado para retirar la lengüeta de la parte frontal del horno. Levante la parte posterior del quemador de hornear fuera del orificio del horno y reserve el quemador de hornear.

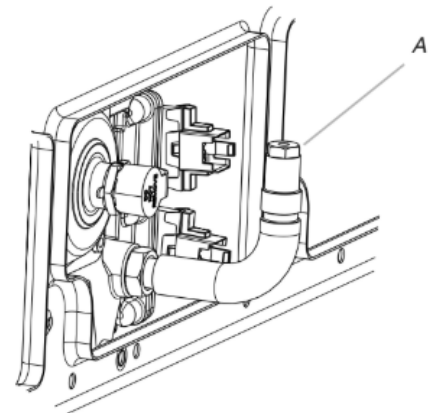


A. Tornillos  
B. Quemador para hornear

7. Use un sacatuerca o una llave de combinación de 3/8" (1 cm) y gire en sentido antihorario el tornillo de orificios del quemador de hornear de gas natural para retirarlo. El tornillo tendrá grabado un número "57".

8. Reemplace el tornillo con el "57" por uno con un "49". Para instalar el tornillo de los orificios del quemador de hornear de gas natural, gírelo en sentido horario hasta que esté firme.

**IMPORTANTE:** No apriete demasiado.



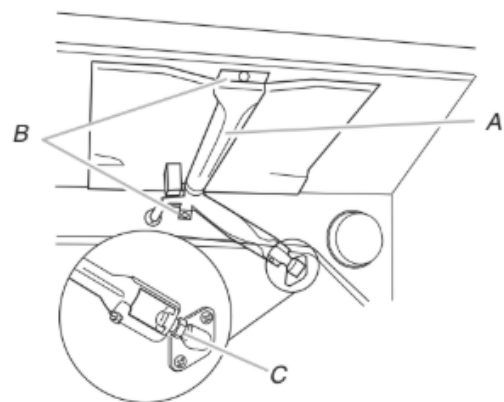
A. Tuerca

9. Coloque la parte posterior del quemador de hornear sobre el orificio del horno y deslice la lengüeta situada en el frente del quemador de hornear hacia el frente del horno.
10. Vuelva a instalar el quemador de hornear con 2 tornillos.
11. Inserte las pestañas situadas en la parte trasera del dispersor de llama en la parte trasera del horno.
12. Vuelva a conectar ambas lengüetas del dispersor de llama al horno con 2 tornillos.
13. Ubique la parte frontal del panel del piso del horno hacia el marco frontal y baje la parte posterior del panel del piso del horno hacia adentro del horno.
14. Vuelva a instalar el panel del piso del horno con 2 tornillos.

### Para convertir el quemador de asar a la parrilla del horno (de gas propano a gas natural)

1. Retire el tornillo del quemador para asar a la parrilla.
2. Retire el quemador para asar a la parrilla de la campana del orificio del quemador para asar.

**NOTA:** El quemador para asar colgará en la parte posterior del horno mientras se cambia la campana del orificio.

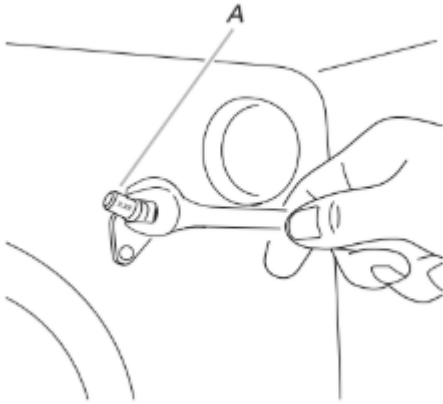


A. Quemador para asar  
B. Tornillos  
C. Campana de orificio

3. Utilice una llave de tuercas de 3/8" (1 cm) y gire a contrarreloj la campana de los orificios del quemador para asar a la parrilla de gas natural para quitarla. La campana tendrá grabado un número "090".

- Reemplace la campana con el "090" por una con un "53". Para instalar la campana de los orificios del quemador para asar a la parrilla de gas natural, gírela en sentido horario hasta que esté firme.

**IMPORTANTE:** No apriete demasiado.



A. Campana de orificio

- Ubique el quemador para asar en la campana de los orificios del quemador e inserte el electrodo encendedor de cerámica del quemador en el orificio de la parte posterior del horno.
- Ubique el quemador para asar contra la parte superior del horno y sujételo con 2 tornillos.
- Vuelva a colocar el cajón de almacenamiento, el cajón de calentamiento o el cajón de almacenamiento premium. Consulte la sección "Cajón de almacenamiento", "Cajón de calentamiento" o "Cajón de almacenamiento premium".
- Vuelva a colocar la puerta del horno. Consulte la sección "Puerta del horno".
- Vuelva a colocar las rejillas del horno.

### Complete la instalación (de gas propano a gas natural)

- Consulte la sección "Conexión del suministro de gas" para conectar la cocina correctamente al suministro de gas.
- Vea la sección "Sistema de encendido electrónico" para los ajustes apropiados de encendido, funcionamiento y llama del quemador.

**IMPORTANTE:** Tal vez tenga que modificar el ajuste "LO" (Bajo) para cada quemador de la superficie de cocción.

Es muy importante verificar que la llama del quemador de la superficie de cocción, de hornear y de asar sea adecuada. Las llamas de gas natural no tienen puntas amarillas.

- Consulte "Complete la instalación" en la sección "Instrucciones de instalación" de este manual para completar este procedimiento.

**NOTA:** Asegúrese de guardar los orificios que acaba de reemplazar en la conversión.

## Cómo mover la estufa

### ⚠ ADVERTENCIA



#### Peligro de vuelco

Un niño o un adulto puede volcar accidentalmente la estufa y resultar muerto.

Instale el soporte antivuelco fijado al piso o a la pared según las instrucciones de instalación.

Deslice la estufa hacia atrás de modo que la pata trasera quede enganchada en la ranura del soporte antivuelco.

Si traslada de lugar la estufa, vuelva a asegurar el soporte antivuelco.

No ponga a funcionar la estufa sin tener el soporte antivuelco instalado y asegurado.

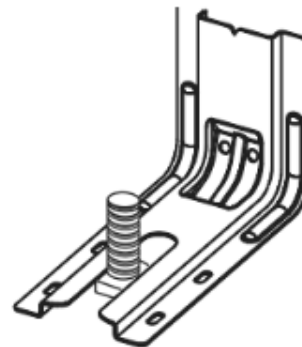
No seguir estas instrucciones puede ocasionar la muerte o quemaduras graves en niños y adultos.

Cuando mueva la estufa, deslícela sobre un pedazo de cartón o madera para prevenir que se dañe el revestimiento del piso.

Si es necesario quitar la estufa para limpiar o realizar mantenimiento:

#### Para estufas conectadas con cable de suministro eléctrico:

- Deslice la estufa hacia adelante.
- Gire la válvula de cierre manual hasta la posición cerrada.
- Desenchufe el cable de suministro eléctrico.
- Desconecte el tubo de suministro de gas.
- Termine la limpieza o el mantenimiento.
- Vuelva a conectar el tubo de suministro de gas.
- Abra la válvula de cierre manual de la línea de suministro de gas.
- Enchufe el cable de suministro de energía.
- Deslice la estufa de modo tal que la pata trasera quede debajo del soporte anti-vuelco.



- Referir la sección "Verifique que el soporte antivuelco esté instalado y enganchado".

- Verifique que la estufa esté nivelada.

©2021 All rights reserved. Used under license in Canada.

Tous droits réservés. Utilisé sous licence au Canada.

Todos los derechos reservados. Se usa bajo licencia en Canadá.