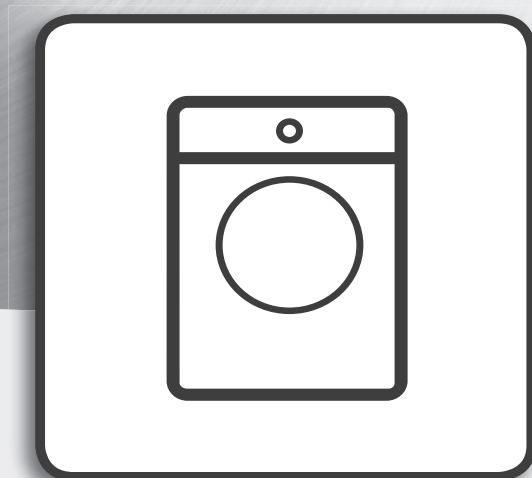


Whirlpool



## Health & Safety, Use & Care and Installation guide

**Series Name 系列名稱: W Collection**

**Model 產品型號:** 8TWFC6810LW  
8TWFC6820LW  
8TWFC6820LC



[www.whirlpool.com.tw](http://www.whirlpool.com.tw)

## TABLE OF CONTENTS

<b>PRODUCT SPECIFICATIONS</b> .....	3
<b>ALL-IN-ONE WASHER DRYER SAFETY</b> .....	4
<b>ADDING LAUNDRY PRODUCTS</b> .....	6
<b>ALL-IN-ONE WASHER DRYER MAINTENANCE AND CARE</b> .....	7
<b>INSTALLATION INSTRUCTIONS</b> .....	10
<b>REQUIREMENTS</b> .....	11
Tools and Parts.....	11
Location Requirements .....	12
Drain System .....	13
Electrical Requirements.....	13
<b>INSTALLATION</b> .....	14
Connect Drain Hose .....	14
Connect Inlet Hose.....	14
Level All-In-One Washer Dryer .....	15
Complete Installation Checklist.....	16
<b>ALL-IN-ONE WASHER DRYER CYCLE GUIDE</b> .....	17
<b>TROUBLESHOOTING</b> .....	23



專為使用 **HE** 高效能洗衣劑而設計。  
**Designed to use only HE**  
**High Efficiency detergents.**

Taiwan Whirlpool Corporation  
Customer Service phone number : **0800 258 558**  
Service Email box : **service\_tw@whirlpool.com**  
Official Website : **www.whirlpool.com.tw**

## PRODUCT SPECIFICATIONS

Models	<b>8TWFC6810LW</b>	<b>8TWFC6820LW</b>	<b>8TWFC6820LC</b>
Product name	Washer Dryer	Washer Dryer	Washer Dryer
Power supply	120 V / 60 Hz	120 V / 60 Hz	120 V / 60 Hz
Maximum wash load (dry clothes)	15.0 kg	17.0 kg	17.0 kg
Maximum dry load (dry clothes)	10.0 kg	10.0 kg	10.0 kg
Water Pressure	0.03-0.7 MPa	0.03-0.7 MPa	0.03-0.7 MPa
Rated power	1000 W	1000 W	1000 W
Maximum spin speed	1,200 rpm	1,200 rpm	1,200 rpm
Product color (end digit)	W=White	W=White	C=Chrome Shadow
Weight	103 kg	103 kg	103 kg
External dimensions (H x W x D)	982 x 686 x 802 (mm)	982 x 686 x 802 (mm)	982 x 686 x 802 (mm)

**NOTE:** Actual specifications are as shown on machine nameplate.

For information on RoHS, please visit the official website [www.whirlpool.com.tw](http://www.whirlpool.com.tw).

# ALL-IN-ONE WASHER DRYER SAFETY

## Your safety and the safety of others are very important.

We have provided many important safety messages in this manual and on your appliance. Always read and obey all safety messages.



This is the safety alert symbol.

This symbol alerts you to potential hazards that can kill or hurt you and others.

All safety messages will follow the safety alert symbol and either the word “DANGER” or “WARNING.” These words mean:

**! DANGER**

**You can be killed or seriously injured if you don't immediately follow instructions.**

**! WARNING**

**You can be killed or seriously injured if you don't follow instructions.**

All safety messages will tell you what the potential hazard is, tell you how to reduce the chance of injury, and tell you what can happen if the instructions are not followed.

## IMPORTANT SAFETY INSTRUCTIONS

**WARNING:** To reduce the risk of fire, electric shock, or injury to persons when using your appliance, follow basic precautions, including the following:

- Read all instructions before using the appliance.
- Do not wash or dry articles that have been previously cleaned in, washed in, soaked in, or spotted with gasoline, dry-cleaning solvents, or other flammable or explosive substances, as they give off vapors that could ignite or explode.
- Do not add gasoline, dry-cleaning solvents, or other flammable or explosive substances to the wash water. These substances give off vapors that could ignite or explode.
- Under certain conditions, hydrogen gas may be produced in a hot-water system that has not been used for 2 weeks or more. **HYDROGEN GAS IS EXPLOSIVE.** If the hot-water system has not been used for such a period, before using a Washer Dryer, turn on all hot-water faucets and let the water flow from each for several minutes. This will release any accumulated hydrogen gas. As the gas is flammable, do not smoke or use an open flame during this time.
- Do not allow children to play on or in the appliance. Close supervision of children is necessary when the appliance is used near children.
- Before the appliance is removed from service or discarded, remove the door.
- Do not reach into the appliance if the tub is moving.
- Do not install or store this appliance where it will be exposed to the weather.
- Do not tamper with controls.
- Do not repair or replace any part of the appliance or attempt any servicing unless specifically recommended in the user maintenance instructions or in published user-repair instructions that you understand and have the skills to carry out.
- Do not use replacement parts that have not been recommended by the manufacturer (e.g. parts made at home using a 3D printer).
- See the Installation Instructions for grounding requirements and installation.
- This appliance is not designed to be used by people (including children) with physical, sensory, or mental abilities reduced, or with lack of experience and knowledge, unless it has been given instruction or supervision regarding the use of the appliance.
- Do not place items exposed to cooking oils in your Washer Dryer. Items contaminated with cooking oils may contribute to a chemical reaction that could cause a load to catch fire. To reduce the risk of fire due to contaminated loads, the final part of a drying cycle occurs without heat (cool down period).
- If the power cord is damaged, it must be replaced by the manufacturer or its service agent or by qualified personnel to avoid danger.
- The appliance must not be installed behind a lockable door, a sliding door or a door with a hinge on the opposite side to that of the Washer Dryer, in such a way that a full opening of the Washer Dryer door is restricted.
- New hoses supplied with the appliance must be used, old hoses must not be reused to avoid danger.
- Do not clean your Washer Dryer with flammable substances or liquids.
- **WARNING:** Never stop the Washer Dryer before the end of the drying cycle, unless all items are removed quickly and spread so that the heat dissipates.
- Remove all items from pockets such as matches and lighters.

## SAVE THESE INSTRUCTIONS



This is the “Read the instructions” symbol.

## IMPORTANT SAFETY INSTRUCTIONS

- Items such as foam rubber (latex foam), shower caps, waterproof textiles, rubber backed articles and clothes or pillows fitted with foam rubber pads should not be dried in the Washer Dryer.
- Do not use this Washer Dryer if industrial chemicals have been used for cleaning. The possible presence of residual quantities of aggressive or decomposed chemicals in the load may produce damage to the Washer Dryer and harmful fumes.
- Do not allow lint to accumulate on rubber bellow, inside drum, or around the dryer.
- Do not dry unwashed items in the Washer Dryer.
- Items that have been soiled with substances such as cooking oil, acetone, alcohol, petrol, kerosene, spot removers, turpentine, waxes and wax removers should be washed in hot water with an extra amount of detergent before being dried in the Washer Dryer. Fabric softeners, or similar products, should be used as specified by the fabric softener instructions.
- The final part of a drying cycle occurs without heat (cool down cycle) to ensure that the articles are left at a temperature that ensures that the items will not be damaged.
- The appliance must be connected to water pressure of 0.03-0.7 MPa.
- This appliance is intended to be used in household and similar applications such as: Staff kitchen areas in shops, offices, and other working environments; Farm houses; By clients in hotels, motels, and other residential-type environments; Bed and breakfast-type environments; Areas for communal use in blocks of flats or in launderettes.
- Bottom opening must not be obstructed by a carpet.
- **WARNING:** The appliance must not be supplied through an external switching device, such as a timer, or connected to a circuit that is regularly switched on and off by a utility.

### SAVE THESE INSTRUCTIONS



This is the “Read the instructions” symbol.

## **WARNING**



### Electrical Shock Hazard

Plug into a grounded 3 prong outlet.

Do not remove ground prong.

Do not use an adapter.

Do not use an extension cord.

Failure to follow these instructions can result in death, fire, or electrical shock.

## **WARNING**

### Excessive Weight Hazard

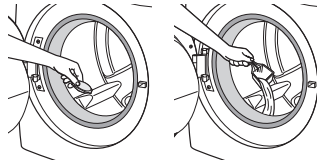
Use two or more people to move and install or uninstall appliance.

Failure to do so can result in back or other injury.

# ADDING LAUNDRY PRODUCTS

## Adding HE detergent to basket:

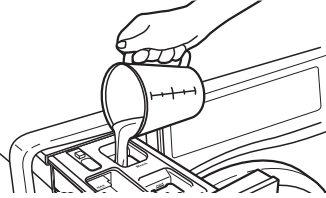
Single-dose laundry packets, Oxytype boosters, color-safe bleach, or scented crystals can be added to the drum prior to adding laundry. When using single-dose laundry packets, make sure that the Load & Go™ Bulk Dispenser option is disabled.



**NOTE:** Follow the manufacturer's instructions to determine the amount of laundry products to use.

## Adding liquid chlorine bleach to single-load dispenser:

Add liquid chlorine bleach to the bleach compartment. Do not overfill, dilute, or use more than 2/3 cup (165 mL). Do not use color-safe bleach or Oxi in the same cycle with liquid chlorine bleach.

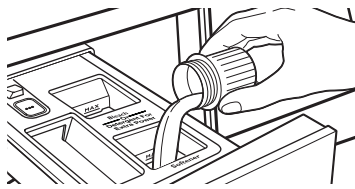


### IMPORTANT:

- Always measure liquid chlorine bleach. Use a measuring cup with a pour spout; do not guess.
- Do not fill beyond the "MAX" line. Overfilling could cause garment damage.
- Do not use thickened, easy-pour, or no-splash bleach when running the Clean Washer with affresh® cycle, as excess suds may occur.
- Do not add liquid chlorine bleach to the bulk dispenser.
- Slowly close dispenser drawers. Make sure the drawers are closed completely.

## Adding liquid fabric softener to single-load dispenser:

Pour a measured amount of liquid fabric softener into liquid fabric softener compartment. Always follow manufacturer's directions for correct amount of fabric softener, based on your load size. Fabric softener is always dispensed in the last rinse.



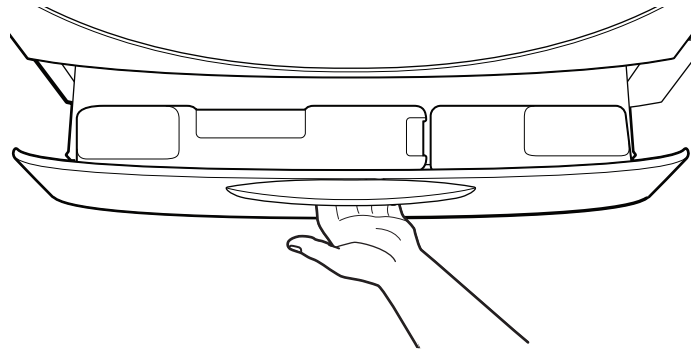
**IMPORTANT:** Do not overfill, dilute, or use more than the manufacturer-recommended quantity of fabric softener. Do not fill past the "MAX" line. Overfilling dispenser will cause fabric softener to immediately dispense into machine.

- Do not spill or drip any fabric softener onto the clothes.
- Do not use liquid fabric softener dispenser balls in this machine. They will not dispense correctly.
- Do not use fabric softener sheets, as they can stain the load.

## Adding HE detergent to Load & Go™ dispenser:

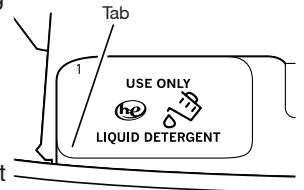
Use only High Efficiency (HE) liquid detergents. The bulk dispensers will hold about 67.6 oz. (2 L) of liquid HE detergent, depending on dispenser, or enough for many loads of laundry.

## To fill bulk dispensers:

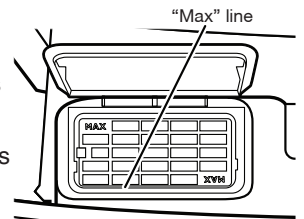


Open the dispenser drawer by pulling on the handle at the base of the machine. If desired, the drawer can be completely removed from the machine.

Locate the Load & Go™ bulk dispenser. Gently pull up on the tab located on the bulk dispenser lid to lift the fill door.

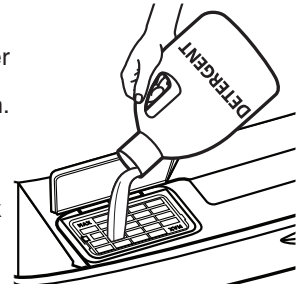


Fill to the "MAX" line (see illustrations at right) with HE liquid detergent. Close fill door. It will click into place. Make sure the concentration setting is correct. (see the Cycle Guide)



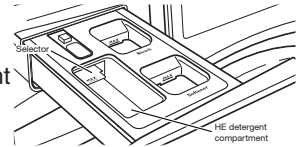
It is recommended that you rinse out the Load & Go™ containers when refilling, when changing detergent types or concentrations, or when they will not be used for an extended period. For instructions on cleaning the dispenser cartridge, see "All-In-One Washer Dryer Maintenance and Care" section.

When you want the machine to use the Load & Go bulk dispenser for automatic detergent dispensing, make sure that the Load & Go™ bulk dispenser option is enabled. Also, do not add any detergent to the single-load dispenser.



## Adding HE detergent to single-load dispenser:

Pour a measured amount of HE detergent into detergent compartment. For powdered detergent, lift the selector to the high position. For liquid detergent, push down the selector to the low position. Do not overfill; adding too much detergent may cause detergent to be dispensed into the machine too early. When using single-dose dispenser for detergent, make sure that the Load & Go™ bulk dispenser option is disabled.



## Getting the most out of your All-In-One Washer Dryer:

Your new machine is configured to run wash cycles by default. You also have the option to run Wash & Dry cycles or Dry Only cycles.

For optimal drying results and to avoid wrinkling of clothes, do not load clothes more than half full. Since this unit uses a ventless drying technology, expect longer dry times compared to a vented Washer Dryer.

# ALL-IN-ONE WASHER DRYER MAINTENANCE AND CARE

## Water Inlet Hoses

Replace inlet hoses after five years of use to reduce the risk of hose failure. Periodically inspect and replace inlet hoses if bulges, kinks, cuts, wear, or leaks are found.

When replacing your inlet hoses:

Mark the date of replacement on the label with a permanent marker.

Check that the old rubber seals on water inlet hoses are not stuck on the machine inlet valves.

Use new washers in the new inlet hoses to ensure a proper seal.

## All-In-One Washer Dryer Care

### Recommendations to Help Keep Your Machine Clean and Performing at Its Best

1. Always use High Efficiency (HE) detergents and follow the HE detergent manufacturer's instructions regarding the amount of HE detergent to use. Do not use more than the recommended amount because that may increase the rate at which detergent and soil residue accumulate inside your machine which, in turn, may result in undesirable odor.
2. Use warm or hot water washes sometimes (not exclusively cold water washes) because they do a better job of controlling the rate at which soils and detergent accumulate.
3. Always leave the machine door slightly ajar between uses to help dry out the machine and avoid the buildup of odor causing residue.
4. Periodically clean residue from all interior surfaces of the window. For better care, wipe the entire inside of the door with a damp cloth.

### Cleaning Your All-In-One Washer Dryer

Read these instructions completely before beginning the routine cleaning processes recommended below. This machine maintenance procedure should be performed, at a minimum, once per month or every 30 cycles, whichever occurs sooner, to control the rate at which soils and detergent may otherwise accumulate in your machine. Note that since this is an all-in-one Washer Dryer without a lint screen, you may see some more lint accumulation on the door seal than a typical washer.

#### Cleaning the Door Seal

1. Open the machine door and remove any clothing or items from the machine.
2. Inspect the gray-colored seal between the door opening and the drum for stained areas, soil buildup, or lint. Pull back the seal to inspect all areas under the seal and to check for foreign objects or lint.
3. If stained areas, soil buildup, or lint are found, wipe down these areas of the seal using either of the following two procedures:
  - a. Affresh® Machine Cleaning Wipes Procedure:
    - i. When the cycle is complete, gently pull back the rubber door seal and clean the entire surface with the textured side of an affresh® Machine Cleaning Wipe.
  - b. Dilute Liquid Chlorine Bleach Procedure:
    - i. Mix a dilute bleach solution, using 3/4 cup (177 mL) of liquid chlorine bleach and 1 gallon (3.8 L) of warm tap water.
    - ii. Wipe the seal area with the dilute solution, using a damp cloth.
    - iii. Let stand for 5 minutes.
    - iv. Wipe down area thoroughly with a dry cloth and let machine interior air dry with door open.

#### IMPORTANT:

- Wear rubber gloves when cleaning with bleach.
- Refer to the bleach manufacturer's instructions for proper use.

#### Cleaning the Inside of the All-In-One Washer Dryer

This machine has a special cycle that uses higher water volumes in combination with affresh® Washer Cleaner or regular liquid chlorine bleach to thoroughly clean the inside of the machine. Steam models also utilize steam to enhance cleaning in this special cycle.

**IMPORTANT:** Do not use thickened, easy-pour, or no-splash bleach when running the Clean Washer with affresh® cycle as excess suds may occur.

**NOTE:** Read these instructions completely before beginning the cleaning process.

#### Begin procedure

1. Clean Washer with affresh® Cycle Procedure (Recommended for best performance):
  - a. Open the machine door and remove any clothing or items.
  - b. Use an affresh® Machine Cleaning Wipe or a soft, damp cloth or sponge to clean the inside door window.
  - c. Add an affresh® Washer Cleaner tablet to the machine drum.
  - d. Do not add the affresh® Washer Cleaner tablet to the dispenser drawer.
  - e. Do not add any detergent or other chemical to the machine when following this procedure.
  - f. Close the machine door.
  - g. Select the Clean Washer with affresh® cycle.
  - h. Select the FanFresh® option to help dry the machine interior after the cycle is complete.

**NOTE:** The machine remembers your last option selection and will use it for future wash cycles until you deselect that option.

- i. Touch and hold START/PAUSE to begin the cycle. The Clean Washer with affresh® cycle operation is described below.
2. Chlorine Bleach Procedure:
    - a. Open the machine door and remove any clothing or items.
    - b. Open the single load dispenser drawer and add regular liquid chlorine bleach to the "MAX" line in both the bleach compartment and the fabric softener compartment. Either traditional or HE chlorine bleach can be used.
- IMPORTANT:** Do not use thickened, easy-pour, or no splash bleach as excess suds may occur.
- NOTE:** Use of more liquid chlorine bleach than is recommended above could cause machine damage over time.
- c. Close the machine door and the dispenser drawer.
  - d. Do not add any detergent or other chemicals to the machine when following this procedure.
  - e. Select the Clean Washer with affresh® cycle.
  - f. Select the FanFresh® option to help dry the machine interior after the cycle is complete.

**NOTE:** The machine remembers your last option selection and will use it for future wash cycles until you deselect that option.

- g. Touch and hold START/PAUSE to begin the cycle. The Clean Washer with affresh® cycle operation is described below.

**NOTE:** For best results, do not interrupt cycle.

### Description of Clean Washer with affresh® Cycle Operation:

1. The Clean Washer with affresh® cycle will determine whether clothing or other items are in the machine.
2. If no items are detected in the machine, it will proceed with the cycle.
  - a. If any items are detected in the machine, "rL" (remove load) will be displayed. The door will unlock. Open machine and remove any garments from the machine drum.
  - b. Touch POWER to clear the "rL" code.
  - c. Touch and hold START/PAUSE to restart the cycle.
3. Steam models only: During the first 20 minutes of the cycle, it will activate the steamer but the drum will not spin or fill with water. You may see condensation on the door window during this initial phase. If you are using an affresh® Washer Cleaner tablet, it will not dissolve completely during the steam phase. This is normal.
4. After the cycle is complete, leave the door open slightly to allow for better ventilation and drying of the machine interior.

### Cleaning the Dispensers

After using the Clean Washer with affresh® cycle, you may find some residue buildup in the machine's dispensers.

To remove residue from the single load dispenser, remove the drawer and wipe the surfaces with an affresh® Machine Cleaning Wipe or a damp cloth and towel dry either before or after you run the Clean Washer with affresh® cycle. Use an all-purpose surface cleaner, if needed.

To remove residue from the Load & Go™ bulk dispenser, lift the handle on the dispenser housing and pull to remove it from the machine cabinet; then rinse the dispenser thoroughly with running water. Wipe the outside dispenser surface with an affresh® Machine Cleaning Wipe or a damp cloth, and towel dry. Use an all-purpose surface cleaner, if needed.

Replace the dispenser in the machine cabinet and make sure that it is correctly seated.

**NOTE:** Dispensers are not dishwasher-safe.

### Cleaning the Outside of the All-In-One Washer Dryer

Use an affresh® Machine Cleaning Wipe or a soft, damp cloth or sponge to wipe up any spills. Occasionally wipe the outside of your machine to help keep it looking new. Use an affresh® Machine Cleaning Wipe or mild soap and water.

**IMPORTANT:** To avoid damaging the machine's finish, do not use abrasive products.

### Clean Washer Cycle Reminder

**NOTE:** Not all models have the Clean Washer with affresh® cycle reminder light.

The Clean Washer with affresh® LED "cL" will flash at the end of a wash cycle when the machine has run 30 wash cycles. This is a reminder to run the Clean Washer with affresh® cycle.

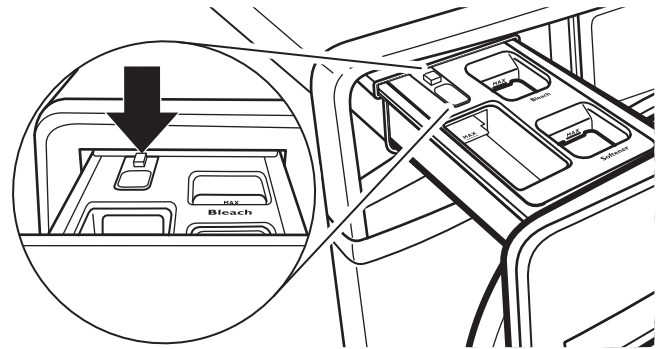
If the Clean Washer with affresh® cycle is not performed, the LED will stop flashing at the end of a wash cycle after running three more regular wash cycles. After 30 more wash cycles are completed, the Clean Washer with affresh® LED will again flash at the end of a wash cycle as a reminder.

### Removing The Dispenser

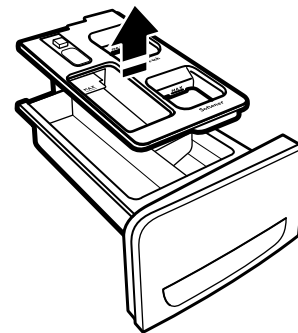
#### Single Load Dispenser Drawer

##### To remove:

1. Pull dispenser drawer out until it stops.
2. Press down on the release tab and pull straight out to remove the dispenser.

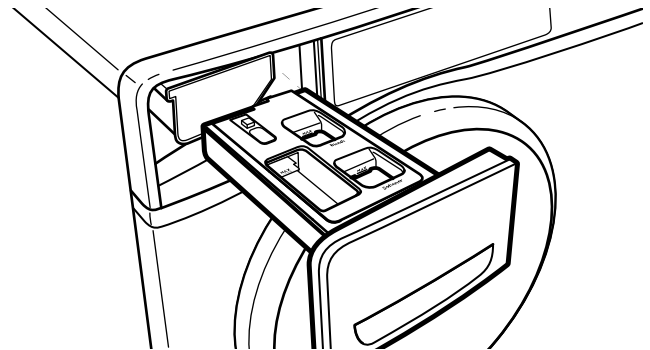


3. Lift off cover panel by pulling straight up.



##### To replace:

1. Position cover panel back onto posts on dispenser. Apply slight pressure on cover panel to seat it.
2. Align edges of dispenser with guides in machine; then slide dispenser back into slot.



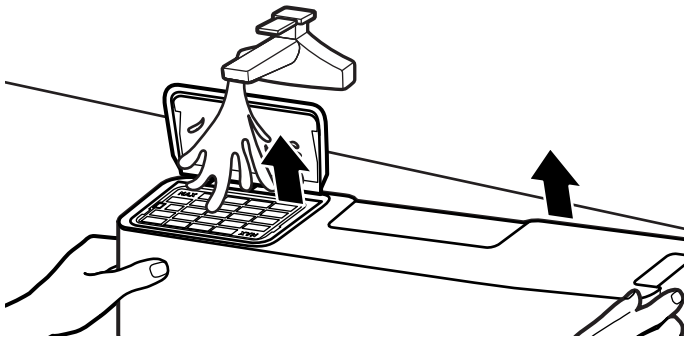
### Cleaning Load & Go™ Containers

It is recommended that you rinse out the Load & Go™ containers when refilling, when changing detergent types or concentrations, or when the machine will not be used for an extended period.

1. Pull the dispenser drawer out until it stops.
2. Lift out the Load & Go™ containers.



- Lift the fill lid and flush interior thoroughly with warm water.



- Allow to air dry.

### Non-Use and Vacation Care

Operate your machine only when you are home. If moving or not using your machine for a period of time, follow these steps:

- Unplug or disconnect power to machine.
- Turn off water supply to machine to avoid flooding due to water pressure surges.  
**HELPFUL TIP:** Attach a reminder note to the machine to turn the water back on before machine's next use.
- Clean the dispensers. See "Cleaning the Dispensers."

### Winter Storage Care

**IMPORTANT:** To avoid damage, install and store machine where it will not freeze. Because some water may stay in hoses, freezing can damage machine. If storing or moving during freezing weather, winterize your machine.

#### To winterize machine:

- Shut off both water faucets; then disconnect and drain water inlet hoses.  
**HELPFUL TIP:** Attach a reminder note to the machine to turn the water back on before machine's next use.
- Put 1 quart (1 L) of R.V.-type antifreeze in machine drum and run machine on Normal cycle for about 2 minutes to mix antifreeze and remaining water.
- Unplug machine or disconnect power.

### Transporting your All-In-One Washer Dryer

- Shut off both water faucets. Disconnect and drain water inlet hoses.
- If machine will be moved during freezing weather, follow "Winter Storage Care" directions before moving.
- Disconnect drain hose from drain system and from back of machine.
- Unplug power cord.
- Place inlet hoses and drain hose inside machine drum.
- Bundle power cord with a rubber band or cable tie to keep it from hanging to the ground.  
**IMPORTANT:** Call for service to install new transport bolts. Do not reuse transport bolts. Machine must be transported in the upright position. To avoid structural damage to your machine, it must be properly set up for relocation by a certified technician.

## ⚠ WARNING



### Electrical Shock Hazard

Plug into a grounded 3 prong outlet.

Do not remove ground prong.

Do not use an adapter.

Do not use an extension cord.

**Failure to follow these instructions can result in death, fire, or electrical shock.**

### Reinstalling/Using Again

To reinstall machine after non-use, vacation, winter storage, or moving:

- Refer to Installation Instructions to remove transport bolts, locate, level, and connect machine.
- Before using again, run machine through the following recommended procedure:

#### To use machine again:

- Flush water pipes and hoses. Reconnect water inlet hoses. Turn on both water faucets.
- Plug in machine or reconnect power.
- Run machine through Heavy Duty cycle to clean machine and remove antifreeze, if used. Use only HE detergent. Use half the manufacturer's recommended amount for a medium-size load.

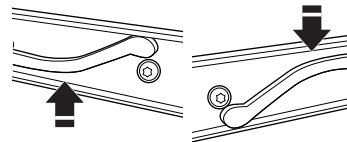
### Cleaning the Drain Pump Filter/Draining

#### Residual Water

**NOTE:** Perform the following procedure occasionally.

**IMPORTANT:** Make sure the machine is off before cleaning the drain pump filter.

- Open the dispenser drawer by pulling on the handle at the base of the machine. This will reveal the drain pump filter. Remove the drawer by releasing the tab on each side. With your finger, push down on tab on right side of drawer, and up on tab on left side of drawer.

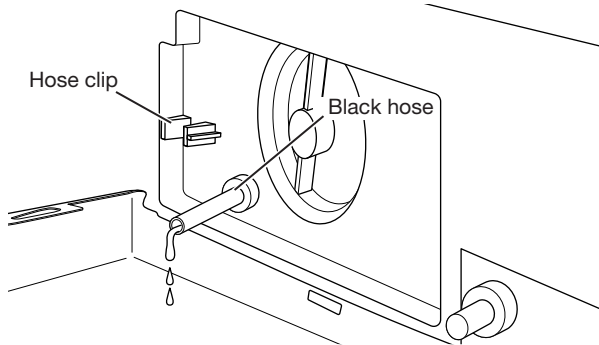


Left side

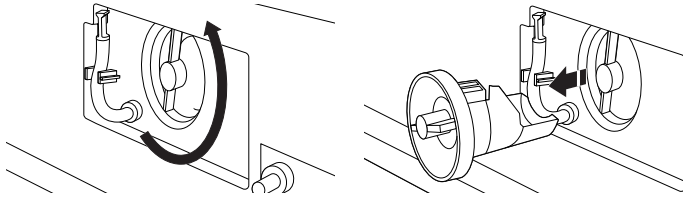
Right side

- Place a broad, flat container beneath the drain pump filter to collect the drain water. Release the black hose from the hose clip, remove the plug, and drain the hose into the container. Empty the container. Repeat this procedure if necessary until all the water has drained. Make sure that the black hose is completely dry, replace the plug, and secure the hose in the clip.

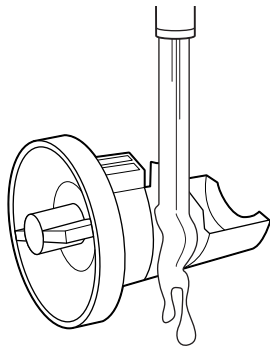
**NOTE:** If water does not drain well, push in hose slightly to remove any possible kinks.



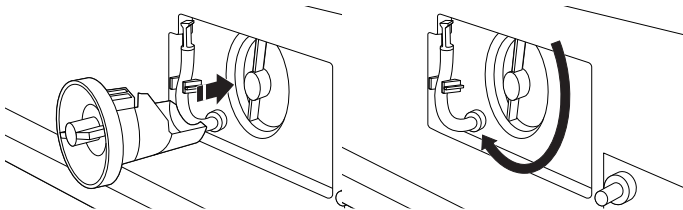
- Lay a cotton cloth beneath the drain pump filter to absorb any water still in it. Then remove the drain pump filter by turning it counterclockwise.



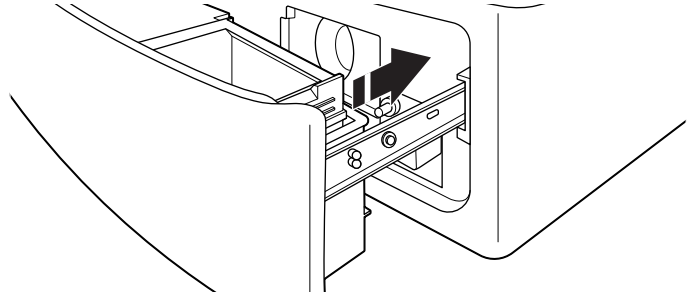
- Check the drain pump filter once a month. Remove large clumps of lint by hand from the filter and place lint in a suitable waste container. Remove remaining residue from the filter by rinsing with water.



- Reinsert the drain pump filter by turning it clockwise. Make sure to turn it in as far as it will go, with the filter handle remaining as close as possible to the vertical position.

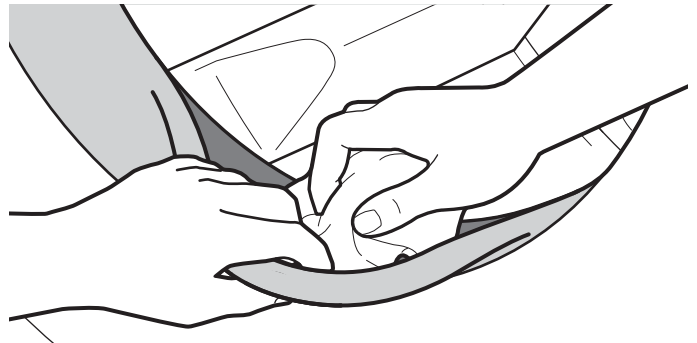


- Replace and close the dispenser drawer. Make sure to insert both rails simultaneously when replacing the drawer. You will hear a clicking sound that indicates the rails have engaged. To ensure proper placement of the drawer, pull out fully. The drawer should be fully engaged and the rails locked in place. Make sure the drain hose is secured in the hose clip and tucked underneath the cutout.



### Additional Cleaning

Gently pull back the rubber door seal and clean any stained areas, soil buildup, or lint with the textured side of an affresh® Machine Cleaning Wipe.



## INSTALLATION INSTRUCTIONS

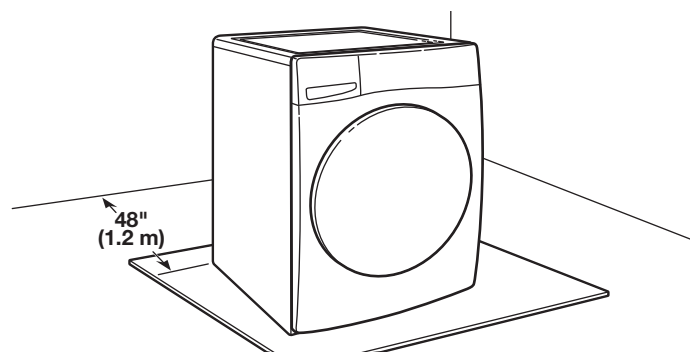
### ⚠ WARNING

#### Excessive Weight Hazard

Use two or more people to move and install or uninstall appliance.

Failure to do so can result in back or other injury.

**NOTE:** To avoid floor damage, set machine onto cardboard before moving it.

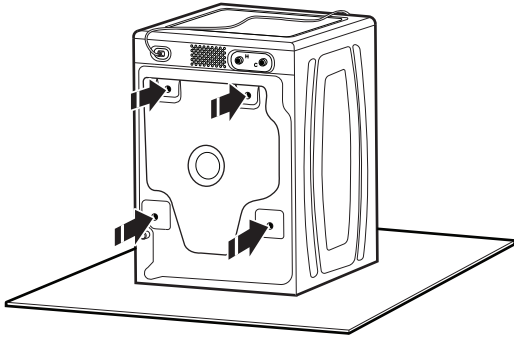


### Move All-In-One Washer Dryer

It is necessary to remove all shipping materials for proper operation and to avoid excessive noise from machine.

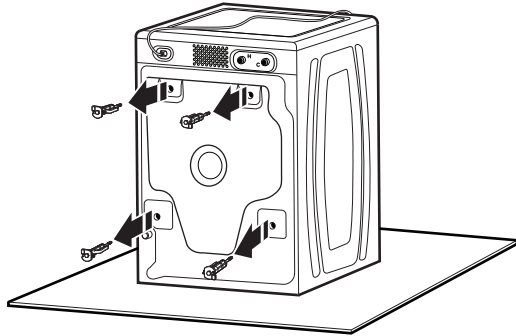
Move machine to within 4 ft (1.2 m) of its final location. It must be in a fully upright position.

## Locate transport bolts



Locate four transport bolts on rear of machine.

## Remove transport bolts from All-In-One Washer Dryer



Loosen bolts with a 5/8" (16 mm) wrench.

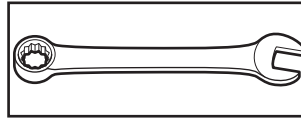
Remove each bolt from machine, by pulling in the direction of the arrows, pull bolts and plastic spacers from back of machine. Discard bolts and spacers.

**NOTE:** Do not plug machine in until installation has been completed.

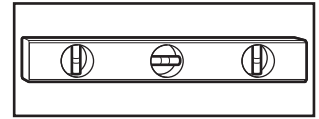
# REQUIREMENTS

## Tools and Parts

### Tools and Parts



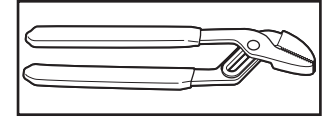
Adjustable or open end wrenches 1/2" (13 mm), 5/8" (16 mm) and 9/16" (14 mm)



Level

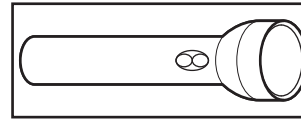


Ruler or measuring tape

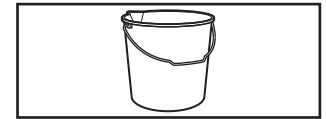


Pliers that open to 1<sup>9</sup>/<sub>16</sub>" (39.5 mm)

### Optional tool



Flashlight



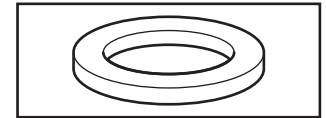
Bucket

### Parts supplied with machine

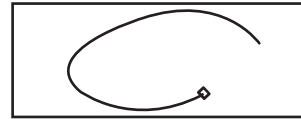
**NOTE:** All parts supplied for installation are in the machine basket.



Water inlet hoses (2)



Flat inlet hose washers (4)



Cable tie



Drain hose with clamp and form (may be shipped unassembled)

### Available accessories:

An optional matching pedestal is available for your machine. Please contact your retailer for ordering information, or see the "Assistance or Service" on Quick Start Guide.

### Alternate parts (not supplied with machine):

Your installation may require additional parts. To order, please refer to toll-free numbers on Quick Start Guide.

#### If you have:

Overhead sewer

#### You will need:

Standard 20 gallon (76 L) 39" (990 mm) tall drain tub or utility sink, sump pump and connectors (available from local plumbing suppliers)

## Location Requirements

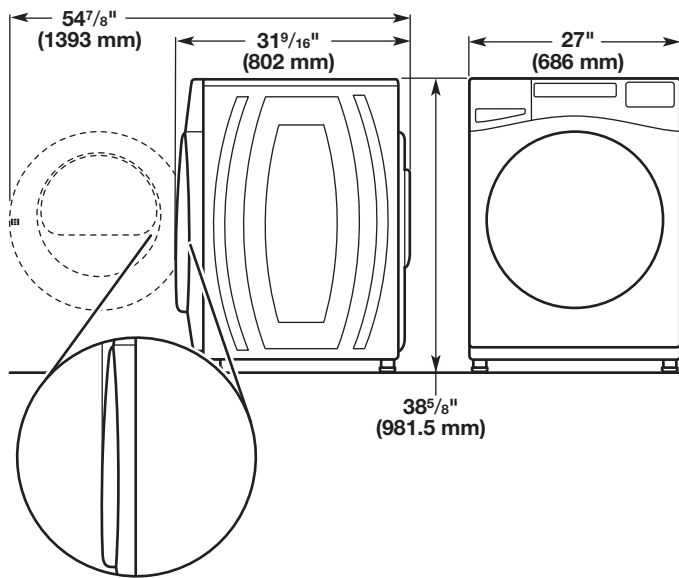
Proper installation is your responsibility.

### You will need:

- A water heater set to 120°F (49°C).
- A grounded electrical outlet located within 6 ft (1.8 m) of power cord on back of machine.
- Hot and cold water faucets located within 4 ft (1.2 m) of hot and cold water fill valves on machine, and water pressure of 0.03-0.7 MPa.
- A level floor with maximum slope of 1" (25 mm) under entire machine. Installing on carpet or surfaces with foam backing is not recommended.
- Floor must support machine's total weight (with water and load) of 315 lb (143 kg).

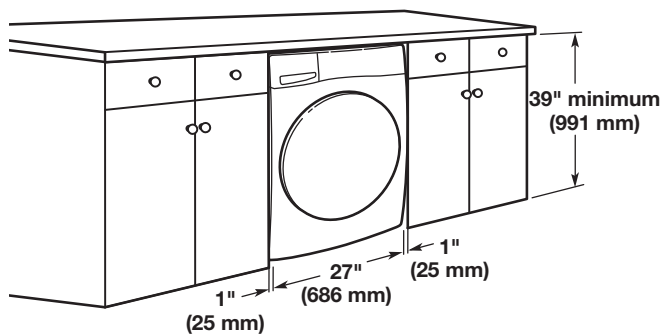
**IMPORTANT:** Do not install, store, or operate machine where it will be exposed to weather or in temperatures below 32°F (0°C). Water remaining in machine after use may cause damage in low temperatures. See "All-In-One Washer Dryer Care" for winterizing information.

### Whirlpool® Models\*

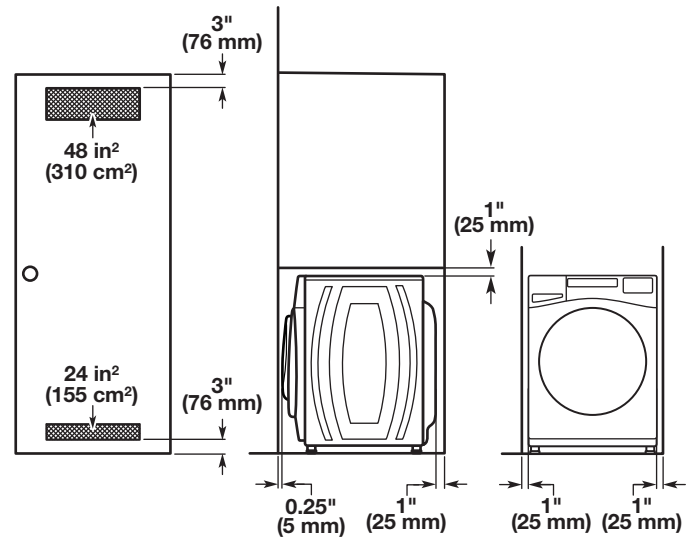


\*For additional details (or information) specific to your model, refer to the 'Dimensions' listed for your model at [www.whirlpool.com.tw](http://www.whirlpool.com.tw).

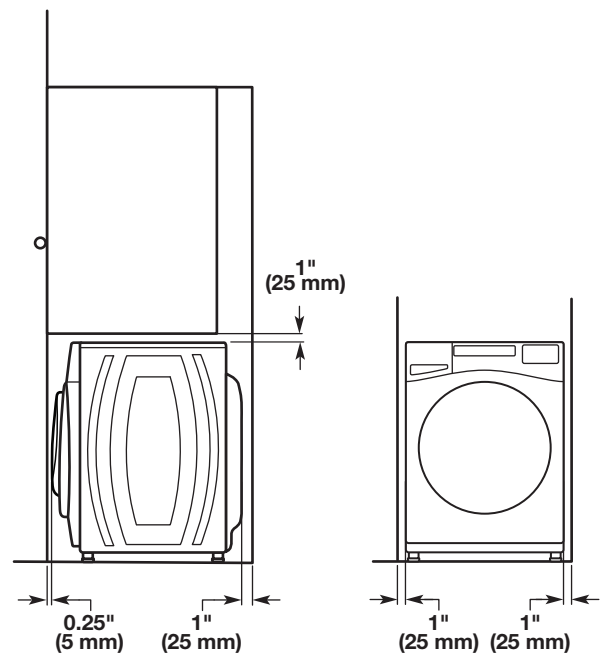
### Custom under-counter installation:



### Recessed area or closet installation:



### Custom cabinet installation:

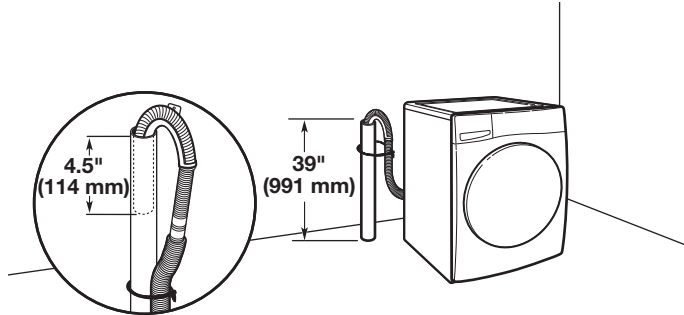


## Drain System

The drain system can be installed using a floor drain, wall standpipe, or laundry tub. Select the method you need.

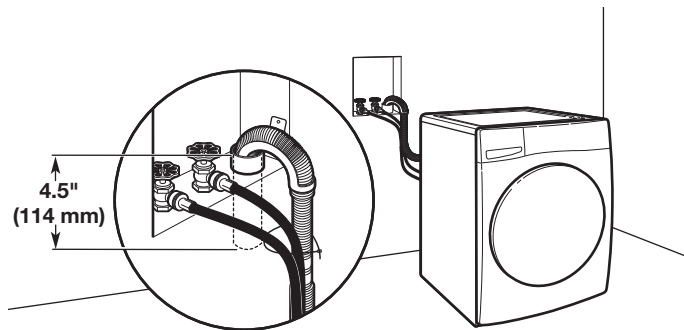
**IMPORTANT:** To avoid siphoning, no more than 4.5" (114 mm) of drain hose should be inside standpipe or below the top of wash tub. Secure drain hose with cable tie.

### Floor standpipe drain system



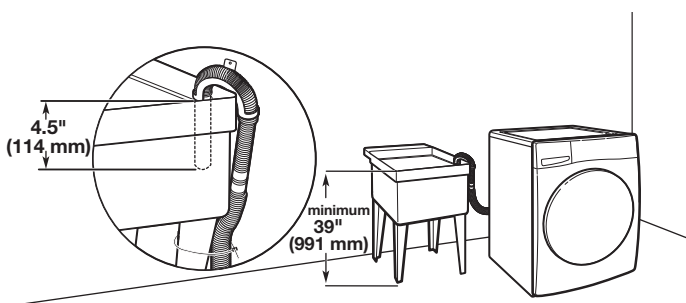
Minimum diameter for a standpipe drain: 2" (51 mm). Minimum carry-away capacity: 17 gallon (64 L) per minute. A 1/4" (6 mm) diameter to 1" (25 mm) diameter Standpipe Adapter Kit is available (Part Number 3363920). Top of standpipe must be at least 39" (991 mm) from the floor; install no higher than 96" (2.44 m) from bottom of machine. If you have an overhead sewer and need to pump higher than 96" (2.44 m), a sump pump and associated hardware are needed. See "Alternate parts."

### Wall standpipe drain system

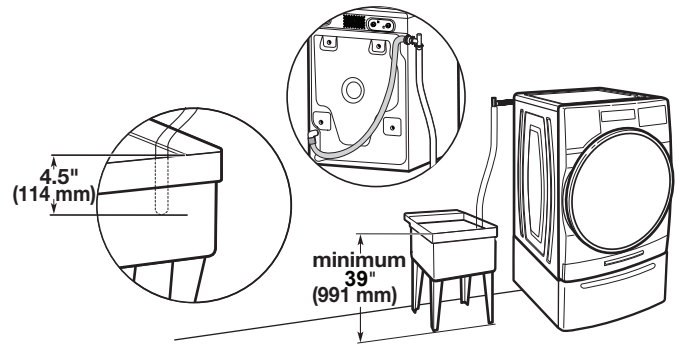


See requirements in the "Floor standpipe drain system" section.

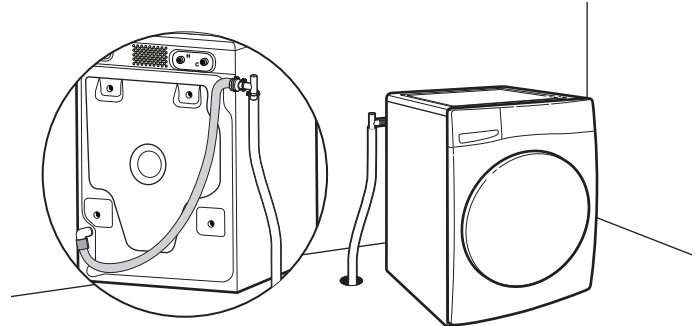
### Laundry tub drain system



Minimum capacity: 20 gallon (76 L). Top of laundry tub must be at least 39" (991 mm) from the floor; install no higher than 96" (2.44 m) from bottom of machine.



### Floor Drain System



Floor drain system requires a Siphon Break Kit, two Connector Kits, and an Extension Drain Hose that may be purchased separately. Please contact your retailer for ordering information, or see the "Assistance or Service" on Quick Start Guide. Minimum siphon break height: 28" (710 mm) from bottom of machine. (Additional hoses may be needed.)

## Electrical Requirements

### ⚠ WARNING



#### Electrical Shock Hazard

**Plug into a grounded 3 prong outlet.**

**Do not remove ground prong.**

**Do not use an adapter.**

**Do not use an extension cord.**

**Failure to follow these instructions can result in death, fire, or electrical shock.**

- A 120 V, 60 Hz, AC only, 15 A or 20 A, fused electrical supply is required. A time-delay fuse or circuit breaker is recommended. It is recommended that a separate circuit breaker serving only this appliance be provided.
- This machine is equipped with a power supply cord having a 3 prong grounding plug.
- To minimize possible shock, the cord must be plugged into a mating, 3 prong grounding-type outlet, grounded in accordance with local codes and ordinances. If a mating outlet is not available, it is the personal responsibility and obligation of the customer to have the properly grounded outlet installed by a qualified electrician.

- If codes permit and a separate ground wire is used, it is recommended that a qualified electrician determine that the ground path is adequate.
- Do not ground to a gas pipe.
- Check with a qualified electrician if you are not sure the machine is properly grounded.
- Do not have a fuse in the neutral or ground circuit.

### GROUNDING INSTRUCTIONS

#### For a grounded, cord-connected appliance:

This appliance must be grounded. In the event of a malfunction or breakdown, grounding will reduce the risk of electric shock by providing a path of least resistance for electric current. This appliance is equipped with a cord having an equipment-grounding conductor and a grounding plug. The plug must be plugged into an appropriate outlet that is properly installed and grounded in accordance with all local codes and ordinances.

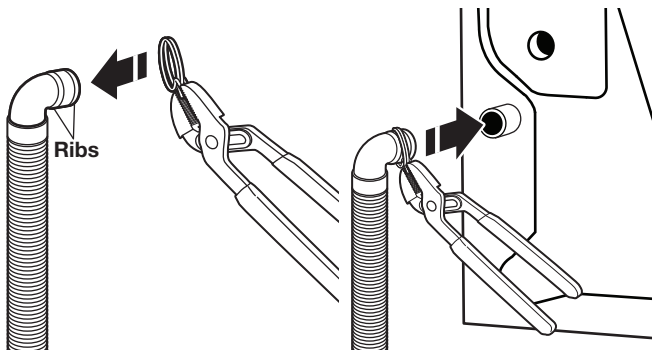
**WARNING:** Improper connection of the equipment grounding conductor can result in a risk of electric shock. Check with a qualified electrician or serviceman if you are in doubt as to whether the appliance is properly grounded. Do not modify the plug provided with the appliance: if it will not fit the outlet, have a proper outlet installed by a qualified electrician.

**SAVE THESE INSTRUCTIONS**

## INSTALLATION

### Connect Drain Hose

#### Attach drain hose to drain port



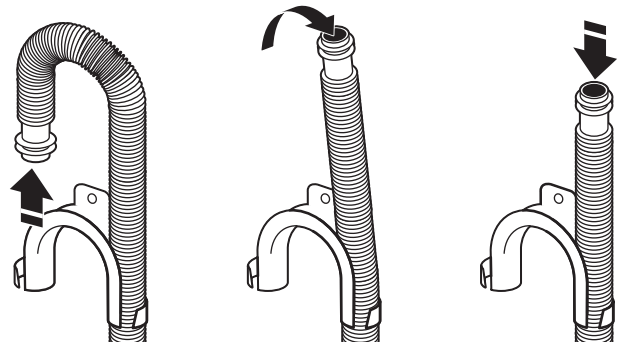
If clamp is not already in place on elbow end of drain hose, squeeze clamp with pliers and slide it over end of hose, centering it between the ribs, as shown. Squeeze clamp with pliers and slide elbow end of drain hose onto drain port and secure with clamp.

For a laundry tub or standpipe drain, refer the above/below steps.

For a floor drain, remove the preinstalled drain hose form as shown in the steps above/below. You may need additional parts with separate directions. See "Alternate Parts."

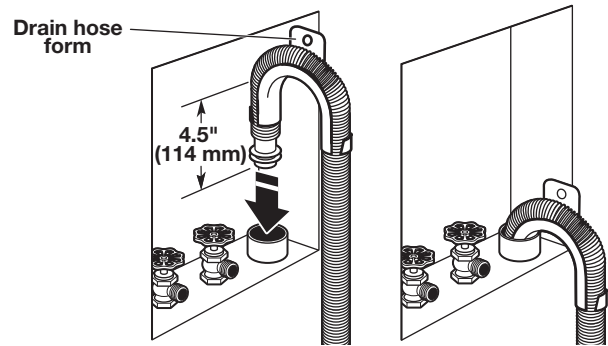
It is the responsibility of the installer to install and secure the drain hose into the provided plumbing/drain in a manner that will avoid the drain hose coming out of or leaking from the plumbing/drain.

#### Remove drain hose form (floor drain installations only)



For floor drain installations, you will need to remove the drain hose form from the end of the drain hose. You may need additional parts with separate directions. See "Alternate Parts."

#### Place drain hose in standpipe

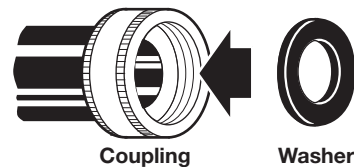


Place hose into standpipe (shown in picture) or over side of laundry tub.

**IMPORTANT:** 4.5" (114 mm) of drain hose should be inside standpipe; do not force excess hose into standpipe or lay on bottom of laundry tub. Drain hose form must be used.

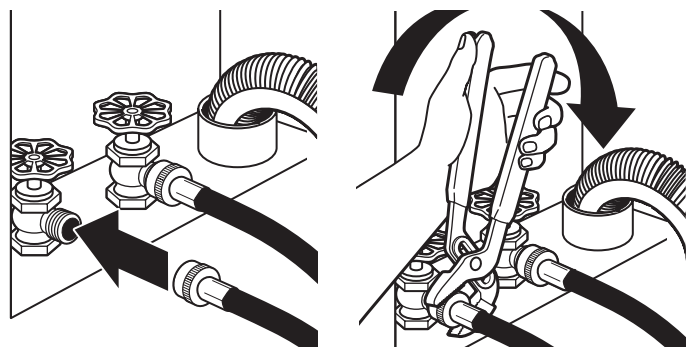
### Connect Inlet Hose

#### Insert new flat washers



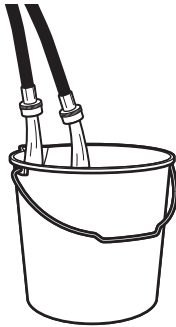
**IMPORTANT:** To avoid leaks, check that your water inlet hoses have flat washers at both ends. Machine must be connected to water faucets with new inlet hoses with flat washers. Do not use old hoses. Do not use hoses without washers.

#### Connect inlet hoses to water faucets



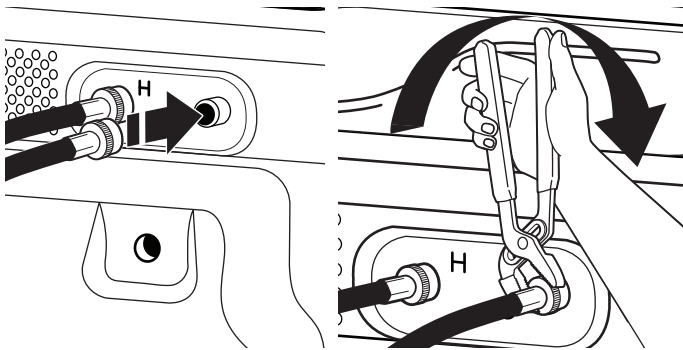
**IMPORTANT:** Do not overtighten or use tape or sealants on valve when attaching to faucets or machine. Damage can result. Attach the hose labeled hot to hot water faucet. Screw on coupling by hand until it is seated on washer. Use adjustable pliers to tighten couplings an additional two-thirds turn. Repeat this step with the hose labeled cold for the cold water faucet. Both hoses must be connected for machine to work properly.

**Clear water lines**



Run water for a few seconds through hoses into a laundry tub, drainpipe, or bucket to avoid clogs. Water should run until clear.

**Connect inlet hoses to Machine**

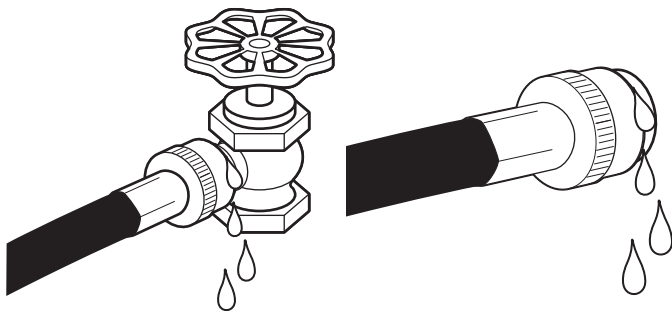


**IMPORTANT:** To reduce risk of hose failure, replace the hoses every 5 years. Record hose installation or replacement dates for future reference.

- Do not overtighten hose or use tape or sealants on the valve. Damage to the valves can result.
- Periodically inspect and replace hoses if bulges, kinks, cuts, wear, or leaks are found.

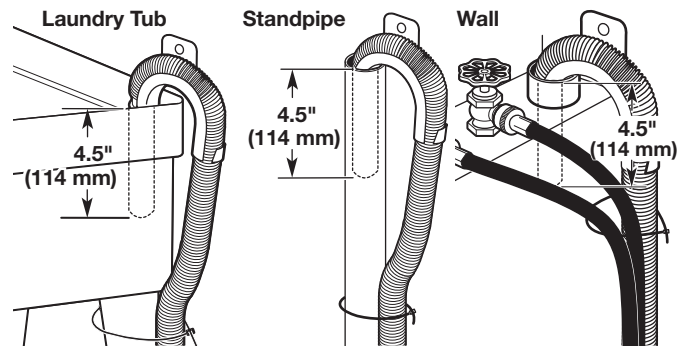
Attach hot water hose to hot water inlet valve. Screw coupling by hand until it is snug. Use adjustable pliers to tighten couplings an additional two-thirds turn. Repeat with cold water inlet valve.

**Check for leaks**



Slowly turn on water faucets to check for leaks. A small amount of water may enter machine. It will drain later.

**Secure drain hose**

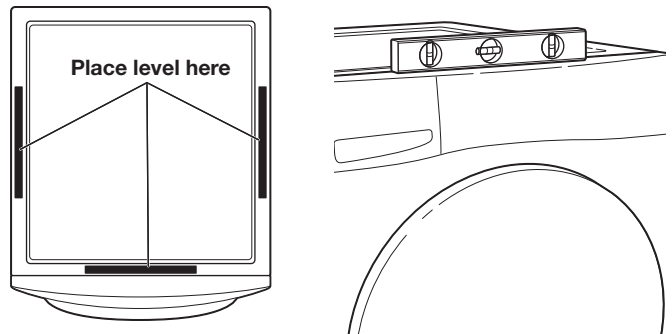


Secure drain hose to laundry tub leg, drain standpipe, or inlet hoses for wall standpipe with cable tie or beaded tie strap. It is the responsibility of the installer to install and secure the drain hose in to the provided plumbing/drain in a manner that will avoid the drain hose coming out of or leaking from the plumbing/drain.

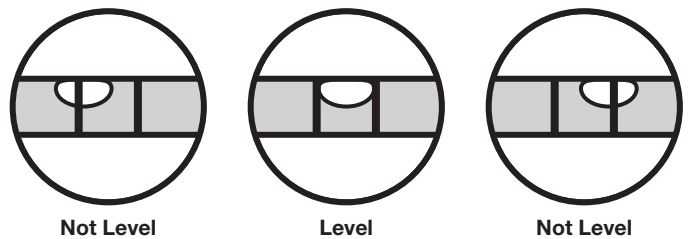
**Level All-In-One Washer Dryer**

**IMPORTANT:** Leveling your machine properly reduces excess noise and vibration.

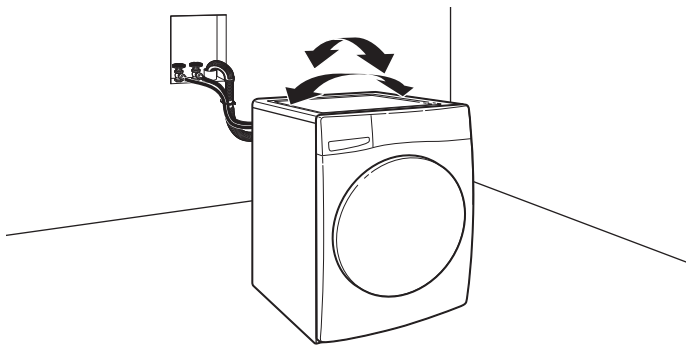
**Check levelness of machine**



Remove cardboard from beneath machine. Place a level on top edges of machine, checking each side and front. If not level, tip machine and adjust feet up or down as shown in "Adjust leveling feet" and "Tighten leveling feet", repeating as necessary.

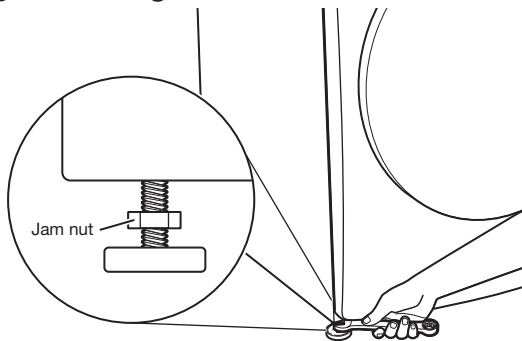


## Rock machine to test foot contact



Grip machine from top and rock back and forth, making sure all four feet are firmly on floor. Repeat, rocking machine from side to side. If machine rocks, adjust leveling feet. If all four feet are in firm contact with floor, tighten leveling feet.

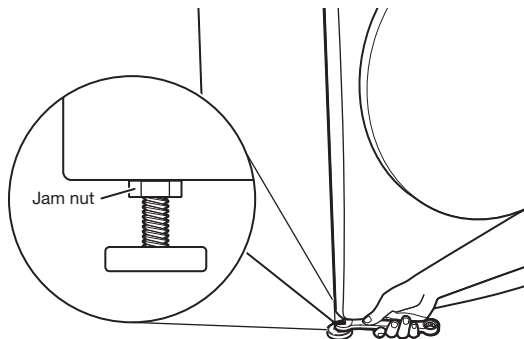
## Adjust leveling feet



If machine is not level, use a 9/16" (14 mm) open-end or adjustable wrench to turn jam nuts clockwise on feet until they are about 1/2" (13 mm) from the machine cabinet. Then turn the leveling foot clockwise to lower the machine or counterclockwise to raise the machine. Do not exceed 2" (50 mm) from bottom of foot to bottom of cabinet. Recheck levelness of machine and that all four feet are firmly in contact with the floor. Repeat as needed.

**HELPFUL TIP:** You may want to prop up front of machine about 4" (102 mm) with a wood block or similar object that will support weight of machine.

## Tighten leveling feet



When machine is level and all four feet are firmly in contact with the floor, use a 9/16" (14 mm) open-end or adjustable wrench to turn jam nuts counterclockwise on leveling feet tightly against machine cabinet.

**HELPFUL TIP:** You may want to prop machine with wooden block.

## ⚠ WARNING



### Electrical Shock Hazard

**Plug into a grounded 3 prong outlet.**

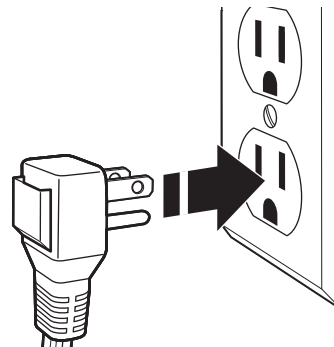
**Do not remove ground prong.**

**Do not use an adapter.**

**Do not use an extension cord.**

**Failure to follow these instructions can result in death, fire, or electrical shock.**

## Plug into a grounded 3 prong outlet



## Complete Installation Checklist

- Check electrical requirements. Be sure you have correct electrical supply and recommended grounding method.
- Check that all parts are now installed. If there is an extra part, go back through steps to see what was skipped.
- Check that you have all of your tools. Check that transport materials were completely removed from back of machine.
- Check that both hot and cold hoses are attached and water faucets are on.
- Check for leaks around faucets, valves, and inlet hoses.
- Remove protective film from console and any tape remaining on machine.
- Check that machine is plugged into a grounded 3 prong outlet.
- Dispose of/recycle all packaging materials.
- To test and clean your machine, press POWER and choose the Quick cycle and run it without clothes. Use only HE detergent. Use 1/2 the manufacturer's recommended amount for a medium-size load.



# ALL-IN-ONE WASHER DRYER CYCLE GUIDE

This All-in-One Washer Dryer has a unique user interface to help you select the best cycle for your load. The “What to Wash” “How to Wash” layout guides you to the optimal cycle in two easy steps:

First determine what items are in the load that you are trying to wash. Use that to guide your “What to Wash” selection. Then determine how you want the Washer Dryer to wash them and select the appropriate “How to Wash” selection. Selecting “What to Wash” will automatically select a default “How to Wash selection” so selecting a “How to Wash” is optional. See chart below for more details.

What items Do You Want to Wash?	“What to Wash” Cycle Selection:
Cottons, linens, and mixed garment loads	Regular
No-iron fabrics, dress shirts/pants, synthetics, sheer/lacy garments	Delicates
Large items such as small comforters, sleeping bags, jackets, and washable rugs	Bulky Items
White fabrics/garments	Whites
Bright or dark-colored linens and mixed loads	Colors
Sturdy towels and washcloths	Towels

How Do You Want to Wash Them?	“How to Wash” Cycle Selection:
Regular/Normal	Normal
With fewer wrinkles	Wrinkle Control
Intense Cleaning	Heavy Duty
Eliminate 99.9% of three common household bacteria	Sanitize*
Gentle cleaning with cold water	Cold Wash
Fast	Quick

Settings and options shown in bold are default settings for that wash cycle. For best fabric care, choose the cycle, options, and settings that best fit the load being washed. Always read and follow fabric care labels and laundry product instructions. Avoid tightly packing the Washer Dryer. The Washer Dryer will not rinse well or spin correctly if tightly packed. If running Wash & Dry or Dry Only, loading the drum half full or less will optimize drying performance and cycle time. Not all settings are available with each cycle, and some options cannot be used together. Not all options are available on all models.

What	How	Basic Settings			Additional Options				
		Temp	Spin	Soil	Steam Clean	FanFresh®	Extra Rinse	Wash & Dry	Load & Go™
Regular	Normal	Hot Very Warm <b>Warm</b> Cool Cold	<b>Fast</b> Medium Fast Medium Off	Light <b>Normal</b> Heavy	X	X	X	X	<b>X</b>
	Wrinkle Control	Hot Very Warm Warm Cool <b>Cold</b>	Fast Medium Fast Medium <b>Slow</b> Off	Light Normal Heavy	X	X	X	X	<b>X</b>
	Heavy Duty	Hot <b>Very Warm</b> Warm Cool Cold	<b>Fast</b> Medium Fast Medium Off	Light <b>Normal</b> Heavy	X	X	X	X	<b>X</b>

What	How	Basic Settings			Additional Options				
		Temp	Spin	Soil	Steam Clean	FanFresh®	Extra Rinse	Wash & Dry	Load & Go™
Regular	Sanitize*	<b>Hot</b>	<b>Fast</b> Medium Fast Medium	<b>Light</b> Normal Heavy	X	X	X	X	X
	Cold Wash	Hot Very Warm Warm Cool <b>Cold</b>	<b>Fast</b> Medium Fast Medium Off	Light Normal <b>Heavy</b>		X	X	X	<b>X</b>
	Quick	Hot Very Warm <b>Warm</b> Cool Cold	<b>Fast</b> Medium Fast Medium Off	<b>Light</b> Normal Heavy	X	X	X	X	<b>X</b>
	Dry Only					X			
Delicates	Normal	Hot Very Warm <b>Warm</b> Cool Cold	Fast Medium Fast Medium <b>Slow</b> Off	Light <b>Normal</b> Heavy	X	X	X	X	<b>X</b>
	Quick	Hot Very Warm <b>Warm</b> Cool Cold	Fast Medium Fast Medium <b>Slow</b> Off	<b>Light</b> Normal Heavy	X	X	X	X	<b>X</b>
	<b>Wrinkle Control</b>	Hot Very Warm Warm Cool <b>Cold</b>	Fast Medium Fast Medium <b>Slow</b> Off	<b>Light</b> Normal Heavy	X	X	X	X	<b>X</b>
	Dry Only					X			
	Heavy Duty	Hot <b>Very Warm</b> Warm Cool Cold	Fast Medium Fast Medium <b>Slow</b> Off	Light <b>Normal</b> Heavy	X	X	X	X	<b>X</b>

\*This cycle eliminates 99.9% of the most common bacteria found in clothes, sheets, and towels. Using the highest wash temperature available ensures sanitization. Check recommended wash temperature of your items. Bacteria tested were K. pneumonia, P. aureginosa, and S. aureus.

What	How	Basic Settings			Additional Options				
		Temp	Spin	Soil	Steam Clean	FanFresh®	Extra Rinse	Wash & Dry	Load & Go™
Delicates	Cold Wash	Hot Very Warm Warm Cool <b>Cold</b>	Fast Medium Fast Medium <b>Slow</b> Off	Light <b>Normal</b> Heavy		X	X	X	<b>X</b>
	Sanitize*	<b>Hot</b>	<b>Fast</b> Medium Fast Medium Slow OFF	<b>Light</b> Normal Heavy	X	X	X	X	<b>X</b>
Bulky Items	Normal	Hot Very Warm <b>Warm</b> Cool Cold	Fast <b>Medium Fast</b> Medium Slow Off	Light <b>Normal</b> Heavy	X	X	X	X	<b>X</b>
	Quick	Hot Very Warm <b>Warm</b> Cool Cold	Fast <b>Medium Fast</b> Medium Slow Off	<b>Light</b> Normal Heavy	X	X	X	X	<b>X</b>
	Wrinkle Control	Hot Very Warm Warm Cool <b>Cold</b>	Fast Medium Fast Medium <b>Slow</b> Off	<b>Light</b> Normal Heavy	X	X	X	X	<b>X</b>
	<b>Heavy Duty</b>	Hot <b>Very Warm</b> Warm Cool Cold	Fast <b>Medium Fast</b> Medium Slow Off	Light <b>Normal</b> Heavy	X	X	X	X	<b>X</b>
	Dry Only					X			
	Cold Wash	Hot Very Warm Warm Cool <b>Cold</b>	Fast <b>Medium Fast</b> Medium Slow Off	Light <b>Normal</b> Heavy		X	X	X	<b>X</b>

\*This cycle eliminates 99.9% of the most common bacteria found in clothes, sheets, and towels. Using the highest wash temperature available ensures sanitization. Check recommended wash temperature of your items. Bacteria tested were K. pneumonia, P. aereginosa, and S. aureus.

What	How	Basic Settings			Additional Options				
		Temp	Spin	Soil	Steam Clean	FanFresh®	Extra Rinse	Wash & Dry	Load & Go™
Whites	Normal	Hot Very Warm <b>Warm</b> Cool Cold	Fast <b>Medium Fast</b> Medium Slow Off	Light Normal <b>Heavy</b>	X	X	X	X	X
	Quick	Hot Very Warm <b>Warm</b> Cool Cold	Fast <b>Medium Fast</b> Medium Slow Off	<b>Light</b> Normal Heavy	X	X	X	X	X
	Wrinkle Control	Hot Very Warm Warm Cool <b>Cold</b>	Fast Medium Fast Medium <b>Slow</b> Off	<b>Light</b> Normal Heavy	X	X	X	X	X
	Heavy Duty	Hot <b>Very Warm</b> Warm Cool Cold	Fast <b>Medium Fast</b> Medium Slow Off	Light Normal <b>Heavy</b>	X	X	X	X	X
	Cold Wash	Hot Very Warm Warm Cool <b>Cold</b>	Fast <b>Medium Fast</b> Medium Slow Off	Light Normal <b>Heavy</b>		X	X	X	X
	Sanitize*	<b>Hot</b>	<b>Fast</b> Medium Fast Medium Slow OFF	<b>Light</b> Normal Heavy	X	X	X	X	X
	Dry Only					X			
Colors	Normal	Hot Very Warm <b>Warm</b> Cool Cold	Fast <b>Medium Fast</b> Medium Slow Off	<b>Light</b> Normal Heavy	X	X	X	X	X

\*This cycle eliminates 99.9% of the most common bacteria found in clothes, sheets, and towels. Using the highest wash temperature available ensures sanitization. Check recommended wash temperature of your items. Bacteria tested were K. pneumonia, P. aureginosa, and S. aureus.

What	How	Basic Settings			Additional Options				
		Temp	Spin	Soil	Steam Clean	FanFresh®	Extra Rinse	Wash & Dry	Load & Go™
Colors	Quick	Hot Very Warm <b>Warm</b> Cool Cold	Fast <b>Medium Fast</b> Medium Slow Off	<b>Light</b> Normal Heavy	X	X	X	X	<b>X</b>
	Wrinkle Control	Hot Very Warm Warm Cool <b>Cold</b>	Fast Medium Fast Medium <b>Slow</b> Off	<b>Light</b> Normal Heavy	X	X	X	X	<b>X</b>
	Heavy Duty	Hot <b>Very Warm</b> Warm Cool Cold	Fast <b>Medium Fast</b> Medium Slow Off	<b>Light</b> Normal Heavy	X	X	X	X	<b>X</b>
	<b>Cold Wash</b>	Hot Very Warm Warm Cool <b>Cold</b>	Fast <b>Medium Fast</b> Medium Slow Off	<b>Light</b> Normal Heavy		X	X	X	<b>X</b>
	Sanitize*	<b>Hot</b>	<b>Fast</b> Medium Fast Medium Slow OFF	<b>Light</b> Normal Heavy	X	X	X	X	<b>X</b>
	Dry Only					X			
Towels	Normal	Hot Very Warm <b>Warm</b> Cool Cold	<b>Fast</b> Medium Fast Medium Slow Off	Light Normal <b>Heavy</b>	X	X	X	X	<b>X</b>
	Quick	Hot Very Warm <b>Warm</b> Cool Cold	<b>Fast</b> Medium Fast Medium Slow Off	<b>Light</b> Normal Heavy	X	X	X	X	<b>X</b>

\*This cycle eliminates 99.9% of the most common bacteria found in clothes, sheets, and towels. Using the highest wash temperature available ensures sanitization. Check recommended wash temperature of your items. Bacteria tested were K. pneumonia, P. aureginosa, and S. aureus.

What	How	Basic Settings			Additional Options				
		Temp	Spin	Soil	Steam Clean	FanFresh®	Extra Rinse	Wash & Dry	Load & Go™
Towels	Wrinkle Control	Hot Very Warm Warm Cool <b>Cold</b>	Fast Medium Fast Medium <b>Slow</b> Off	<b>Light</b> Normal Heavy	X	X	X	X	<b>X</b>
	<b>Heavy Duty</b>	Hot <b>Very Warm</b> Warm Cool Cold	<b>Fast</b> Medium Fast Medium <b>Slow</b> Off	Light Normal <b>Heavy</b>	X	X	X	X	<b>X</b>
	Cold Wash	Hot Very Warm Warm Cool <b>Cold</b>	<b>Fast</b> Medium Fast Medium Slow Off	Light Normal <b>Heavy</b>		X	X	X	<b>X</b>
	Sanitize*	<b>Hot</b>	<b>Fast</b> Medium Fast Medium Slow OFF	<b>Light</b> Normal Heavy	X	X	X	X	<b>X</b>
	Dry Only					X			

\*This cycle eliminates 99.9% of the most common bacteria found in clothes, sheets, and towels. Using the highest wash temperature available ensures sanitization. Check recommended wash temperature of your items. Bacteria tested were K. pneumonia, P. aereginosa, and S. aureus.

# TROUBLESHOOTING

First try the solutions suggested here or visit our website at [www.whirlpool.com.tw](http://www.whirlpool.com.tw)

If you experience	Possible Causes	Solution
<b>Error Code Appears in Display (for 2- and 3-digit displays)</b>		
Once any possible issues are corrected, touch POWER once to clear the code. Reselect and restart the cycle.		
"Sd" or "Sud" (excess suds) appears in display	Excessive suds in washer dryer. Washer dryer is running a suds-reduction routine.	Allow the washer dryer to continue. Use only HE detergent. Always follow the detergent manufacturer's instructions to determine the amount of detergent to use and base detergent quantity on load size. Not all detergents labeled as High Efficiency are identical in formulation and their ability to reduce suds. For example, natural, organic, or homemade HE detergents may generate a high level of suds. If you use one of these and see an "Sd" or "Sud" error code appear in the display, consider using a different HE detergent.
"Lo" followed by "FL" or "F8" followed by "E1" or "Lo" followed by "FL" or "F08" followed by "E01" (water supply error) appears in display	Check for proper water supply.	Unit will drain for 8 minutes while door remains locked. The drain cycle must be allowed to complete or the error code cannot reset. When complete, touch POWER once to clear the code. Then touch POWER again to restart washer dryer. If code appears again, call for service.
		Both hoses must be attached and have water flowing to the inlet valve.
		Both hot and cold water faucets must be ON.
		Check that inlet valve screens are not clogged.
		Remove any kinks in the inlet hose.
Check for proper inlet hoses.	If used, auto shut-off connectors and hoses must be properly installed and in working order. Use only manufacturer's recommended inlet hoses.	
"F9" followed by "E1" or "F09" followed by "E01" (drain pump system error) appears in display	Check plumbing for correct drain hose installation. Drain hose extends into standpipe farther than 4½" (11.4 cm).	Check drain hose for proper installation.
		Make sure the drain hose is not kinked, pinched, or blocked.
		Remove any clogs from drain hose.
		Use drain hose form and securely attach to drainpipe or tub.
Not using HE detergent or using too much HE detergent.	Lower drain hose if the end is higher than 96" (2.4 m) above the floor. Use only HE detergent. Always measure detergent and follow manufacturer's directions based on load size and soil level.	
"F5" followed by "E2" or "F05" followed by "E02" (door will not lock) appears in display	Washer dryer door not locking.	Touch POWER to cancel the cycle. Check that the door is closed completely and latching. Check for items in the washer dryer drum that may be keeping the door from closing completely.
"rL" (remove load) appears in display	Load detected in drum during Clean Washer with affresh cycle.	Remove items from washer dryer drum and restart Clean Washer with affresh cycle.
"PF"	Appears upon recovery from power loss, if power was lost while running a cycle.	Touch POWER once to clear the code. Then touch POWER again and restart the washer dryer.

# TROUBLESHOOTING

## ⚠ WARNING



### Electrical Shock Hazard

**Plug into a grounded 3 prong outlet.**

**Do not remove ground prong.**

**Do not use an adapter.**

**Do not use an extension cord.**

**Failure to follow these instructions can result in death, fire, or electrical shock.**

First try the solutions suggested here or visit our website at [www.whirlpool.com.tw](http://www.whirlpool.com.tw)

If you experience	Possible Causes	Solution
<b>Error Code Appears in Display (for 2- and 3-digit displays) (cont.)</b>		
F# E# or F## E## code other than as described above appears in display	System error code.	Touch POWER once to clear the code. Then touch POWER again to restart washer dryer. If code appears again, call for service. Unplug washer dryer for 30 seconds, then plug back in.
Washer dryer making error beeps	Door has not been opened and closed for at least 3 cycles.	This code may occur when the washer dryer is first turned on. Open and close the door to clear the display.
Washer dryer beeps when START is touched	Door not closed.	Close the door completely.
Clean Washer LED flashing at end of wash cycle (on some models)	The washer dryer has run 30 wash cycles and is indicating a reminder to run the Clean Washer with affresh cycle.	Run the Clean Washer with affresh cycle. If the Clean Washer with affresh cycle is not turned on, the LED will stop flashing at the end of a wash cycle after running 3 more regular wash cycles. After 30 more wash cycles are completed, the Clean Washer with affresh LED will again flash at the end of a wash cycle as a reminder.
"Cool Down" appears in display	During normal operation, this icon may appear during the end of the dry cycle if the load needs additional time to cool down.	It is normal for the icon to appear, it will disappear when cool down has finished.



# TROUBLESHOOTING

First try the solutions suggested here or visit our website at [www.whirlpool.com.tw](http://www.whirlpool.com.tw)

If you experience	Possible Causes	Solution
<b>Vibration or Off-Balance</b>		
Vibration, rocking, or "walking"	Feet may not be in contact with the floor and locked.	Front and rear feet must be in firm contact with floor and washer dryer must be level to operate properly. Jam nuts must be tight against the bottom of the cabinet.
	Washer dryer may not be level.	Check floor for flexing or sagging. If flooring is uneven, a 3/4" (1.9 cm) piece of plywood under your washer dryer will reduce sound. Do not install washer dryer on a raised wooden platform.
		See "Level All-In-One Washer Dryer" in Installation Instructions.
	Load could be unbalanced or too large.	Avoid tightly packing the load. Avoid washing single items. Balance a single item such as a rug or jeans jacket with a few extra items. Item or load is not suitable for selected cycle. See "All-In-One Washer Dryer Cycle Guide" and "Using Your Washer Dryer."
The shipping bolts are still in the back of the washer dryer.	See "Remove transport bolts from Washer Dryer" in the Installation Instructions.	
<b>Noises</b>		
Clicking or metallic noises	Door locking or unlocking.	After starting a cycle the drum will make a partial turn and the door will lock. The door will remain locked until the end of cycle. This is normal.
	Objects caught in washer dryer drain system.	Empty pockets before washing. Loose items such as coins could fall between washer dryer drum and tub or may block pump. It may be necessary to call for service to remove items.
		It is normal to hear metal items on clothing, such as metal snaps, buckles, or zippers, touch against the stainless steel drum.
Gurgling or humming	Washer dryer may be draining water.	The pump may make a humming sound with periodic gurgling or surging as final amounts of water are removed during the spin/drain cycles. This is normal at certain stages of the cycle.
Rolling or sloshing and occasional clicking (on slow-speed spin)	Steel balls in the balancing system are balancing the load.	This is normal at certain stages of the cycle.
<b>Water Leaks</b>		
Check the following for proper installation	Fill hoses not attached tightly.	Tighten fill-hose connection.
	Fill-hose washers.	Properly seat all four fill-hose flat washers.
	Drain hose connection.	Check that the drain hose is properly secured to drainpipe or laundry tub.
	On some models: Drain pump filter is not properly seated.	On some models: Make sure filter is correctly placed in the housing. See "Cleaning the Drain Pump Filter/Draining Residual Water."
	Check household plumbing for leaks or clogged sink or drain.	Water can back up out of a clogged sink or drainpipe. Check all household plumbing for leaks (laundry tubs, drain pipe, water pipes, and faucets).
	Strainer (or nylon stocking) on end of drain hose is clogged.	Remove strainer/nylon stocking from drain hose.

# TROUBLESHOOTING

## ⚠️ WARNING



### Electrical Shock Hazard

**Plug into a grounded 3 prong outlet.**

**Do not remove ground prong.**

**Do not use an adapter.**

**Do not use an extension cord.**

**Failure to follow these instructions can result in death, fire, or electrical shock.**

First try the solutions suggested here or visit our website at [www.whirlpool.com.tw](http://www.whirlpool.com.tw)

If you experience	Possible Causes	Solution
<b>Water Leaks (cont.)</b>		
Water or suds leaking from door or rear of cabinet	Not using HE detergent or using too much HE detergent.	Only use HE detergent. Suds from regular detergents can cause leaking from the door or rear of cabinet. Always measure detergent and follow manufacturer's directions based on your load requirements.
	Using thickened, easy-pour, or no-splash bleach when running the Clean Washer with affresh cycle.	Use affresh tablet or regular, non-thickened chlorine bleach when running the Clean Washer with affresh cycle.
	Residue on door window.	Periodically clean the underside of the glass window to avoid potential leaks.
	Door opened during "Add Garment."	Water can drip off the inside of the door when the door is opened after the start of a cycle.
Leaking around door	Hair, lint, or other debris on inner door glass preventing proper seal with rubber door seal.	Clean inner door window and seal. See "Cleaning the Door Seal" in the "Washer Dryer Maintenance" section.
<b>Washer dryer not performing as expected</b>		
Load not completely covered in water	Water level not visible on door or does not cover clothes.	This is normal for an HE front-load washer dryer. The washer dryer senses load sizes and adds the correct amount of water for optimal cleaning.
Washer dryer won't run or fill; washer dryer stops working	Check for proper water supply.	Both hoses must be attached and have water flowing to the inlet valve.
		Both hot and cold water faucets must be turned on.
		Check that inlet valve screens have not become clogged.
		Check for any kinks in inlet hoses, which can restrict water flow.
	Check proper electrical supply.	Plug power cord into a grounded 3 prong outlet.
		Do not use an extension cord.
		Ensure there is power to outlet.
		Do not plug into a GFCI (Ground Fault Circuit Interrupter).
	Check electrical source or call an electrician to check if voltage is low.	
	Reset a tripped circuit breaker. Replace any blown fuses.	
	<b>NOTE:</b> If problems continue, contact an electrician.	

# TROUBLESHOOTING

First try the solutions suggested here or visit our website at [www.whirlpool.com.tw](http://www.whirlpool.com.tw)

If you experience	Possible Causes	Solution
<b>Washer dryer not performing as expected (cont.)</b>		
Washer dryer won't run or fill; washer dryer stops working (cont.)	The load size is being sensed.	After the load size is sensed, the estimated time based on load size will be displayed and water will be added.
	Normal washer dryer operation.	Door must be completely closed and latched for washer dryer to run.
		The washer dryer pauses for about 2 minutes during certain cycles. Allow the cycle to continue. Some cycles feature periods of tumbling and soak.
		Washer dryer may be stopped to reduce suds. Use only a proper amount of HE detergent.
		Cold Wash uses less water in the beginning of the cycle to provide a high concentration of detergent for optimal cleaning action. Following this concentrated tumbling, more water is used to complete the wash.
		During the first 20 minutes of the Clean Washer with affresh cycle, it will activate the steamer but the drum will not spin or fill with water. You may see condensation on the door glass during this initial phase. If you are using an affresh Washer Cleaner tablet, it will not dissolve completely during the steam phase. This is normal.
	The washer dryer door is not firmly shut.	The door must be closed during operation.
	On some models: The Load & Go bulk dispenser is not fully seated in the washer.	Make sure that the Load & Go bulk dispenser is fully seated in the washer dryer, and that the lid on the bulk dispenser is firmly closed.
	Washer dryer not loaded as recommended.	Remove several items and rearrange load evenly in washer dryer drum. Close door, then touch and hold START/PAUSE.
		Do not add more than 1 or 2 additional items after cycle has started to avoid tightly packing or unbalancing.
Do not add more water to the washer dryer.		
Not using HE detergent or using too much HE detergent.	Only use HE detergent. Suds from regular detergents can slow or stop the washer dryer. Always measure detergent, following manufacturer's directions based on your load requirements.	
	To remove suds, cancel cycle. Select DRAIN & SPIN with EXTRA RINSE. Touch START/PAUSE. Do not add more detergent.	
	Make sure the Load & Go bulk dispenser is disabled if you are using a single dose of detergent.	
Door not opened between cycles.	After any wash cycle is completed, the door must be opened and then closed before a new cycle can begin.	
Washer dryer not draining/spinning; loads are still wet	Drain hose extends into standpipe farther than 4.5" (11.4 cm).	Check drain hose for proper installation. Use drain hose form and securely attach to drainpipe or tub. Do not tape over drain opening.
	The drain hose is clogged or the end of the drain hose is more than 96" (2.4 m) above the floor.	Lower drain hose if the end is higher than 96" (2.4 m) above the floor. Remove any clogs from drain hose. See "Installation Requirements" in Installation Instructions.
	Strainer/nylon stocking on end of drain hose.	Remove strainer/nylon stocking from drain hose.
	The drain hose fits too tightly in the standpipe or it is taped to the standpipe.	The drain hose should be loose, yet fit securely. Do not seal the drain hose with tape. The hose needs an air gap. See "Secure the Drain Hose" in Installation Instructions.

# TROUBLESHOOTING

First try the solutions suggested here or visit our website at [www.whirlpool.com.tw](http://www.whirlpool.com.tw)

If you experience	Possible Causes	Solution
<b>Washer dryer not performing as expected (cont.)</b>		
Washer dryer not draining/spinning; loads are still wet (cont.)	Using cycles with a slower spin speed.	Cycles with slower spin speeds remove less water than cycles with fast spin speeds. Use the recommended cycle/speed spin for your garment.
	Washer dryer not loaded as recommended.	A tightly packed or unbalanced load may not allow the washer dryer to spin correctly, leaving the load wetter than normal. See "Cycle Guide" for load size recommendation for each cycle.
	The load may be out of balance.	Avoid washing single items. Balance a single item, such as a rug or jeans jacket, with a few extra items.
	Not using HE detergent or using too much HE detergent.	Use only HE detergent. Suds from regular detergent or using too much detergent can slow or stop draining or spinning. Always measure and follow manufacturer's directions for your load. To remove extra suds, select DRAIN & SPIN with EXTRA RINSE. Do not add detergent.
	Small items may have been caught in the pump or stuck between the washer dryer drum and the outer tub.	Check the drum for any items sticking through the drum holes. Empty pockets and use garment bags when washing small items.
	There are too many clothes in the Overnight Wash & Dry cycle.	Only use the Wash & Dry cycle for two to four lightly soiled synthetic garments, athletic uniforms, or workout wear.
	On some models: Drain pump filter is dirty.	On some models: Clean drain pump filter. See "Cleaning the Drain Pump Filter/Draining Residual Water."
	Wash cycle has been canceled and door opened before water has drained.	Run Drain & Spin to remove any excess water.
Washer dryer is spinning clothes without water	The washer dryer is measuring the mass of the dry load.	This measurement is normal and ensures the best cycle time for your load.
Door locked at end of wash cycle	Water remaining in washer dryer after cycle.	Select DRAIN & SPIN to remove any water remaining in the washer dryer. The washer dryer door will unlock at the end of the drain.
Door will not unlock	Door locks when cycle has started.	If the "Add Garment" light is lit, touch START/PAUSE once. The door will unlock.
Incorrect or wrong wash or rinse temperatures	Check for proper water supply.	Make sure hot and cold inlet hoses are not reversed.
		Both hoses must be attached to both washer dryer and faucet, and have both hot and cold water flowing to inlet valve.
		Check that inlet valve screens are not clogged.
		Remove any kinks in hoses.
	Washing many loads.	Your hot water tank may not have enough hot water to keep up with the number of hot or warm washes. This is normal.
Desired setting or option does not light	For best performance, not all settings are available with each cycle and some options cannot be used together.	See the "Cycle Guide" for the available settings and options for each cycle.
Load not rinsed	Check for proper water supply.	Make sure hot and cold inlet hoses are not reversed.
		Both hoses must be attached and have water flowing to the inlet valve.
		Both hot and cold water faucets must be on.
		Check that inlet valve screens are not clogged.
		Remove any kinks in the inlet hose.
	Not using HE detergent or using too much HE detergent.	The suds from non-HE detergent can cause the washer dryer to operate incorrectly. Use only HE detergent. Always measure detergent and follow manufacturer's directions based on load size and soil level.

# TROUBLESHOOTING

First try the solutions suggested here or visit our website at [www.whirlpool.com.tw](http://www.whirlpool.com.tw)

If you experience	Possible Causes	Solution
<b>Washer dryer not performing as expected (cont.)</b>		
Load not rinsed (cont.)	Washer dryer not loaded as recommended.	<p>Avoid tightly packing the washer dryer. The washer dryer will not rinse well if tightly packed. Load with dry items only. See the “Cycle Guide” for load size recommendations for each cycle.</p> <p>Use cycle designed for the fabrics being washed.</p> <p>Add only one or two garments after washer dryer has started.</p>
	The load may be out of balance.	When load imbalance occurs, a washing process will start to redistribute the load. This may lengthen the cycle time. Avoid washing single items. Balance a single item, such as a rug or jeans jacket, with a few extra items.
Load is wrinkled, twisted, or tangled	Washer dryer not loaded as recommended.	<p>Add load loosely. Items need to move freely to reduce wrinkling and tangling. See the “Cycle Guide” for load size recommendations for each cycle.</p> <p>Reduce tangling by mixing types of load items. Use the recommended cycle for the type of garments being washed.</p>
	Wash action too long for load.	Select a lower soil level. Note that items will not be cleaned as deeply as when using a higher soil level.
	Spin speed too fast for load.	Select a slower spin speed. Note that items will be wetter than when using a faster speed spin.
	The washer dryer is not unloaded promptly.	Unload the washer dryer as soon as it stops or use FanFresh® option if you will not be able to unload the washer dryer at the end of the cycle.
	Not choosing the right cycle for the load being washed.	Use the Delicates cycle or another cycle with a slow spin speed to reduce wrinkling.
	The wash water was not warm enough to relax wrinkles.	If acceptable for load, use warm or hot wash water.
Not cleaning or removing stains	Washer dryer not loaded as recommended.	<p>Add load loosely. Items need to move freely for best cleaning. See the “Cycle Guide” for load size recommendations for each cycle.</p> <p>Add only 1 or 2 garments after washer dryer has started.</p>
	Not using HE detergent or using too much HE detergent.	Use only HE detergent. Always measure detergent and follow manufacturer’s directions based on load size and soil level.
	Hard water or high level of iron (rust) in water.	You may need to install a water softener and/or iron filter.
	Fabric softener dispensing ball used.	Dispensing balls will not operate correctly with this washer dryer. Add liquid fabric softener to the fabric softener compartment.
	Powdered detergent used for slow-speed cycle.	Consider using liquid detergent.

# TROUBLESHOOTING

First try the solutions suggested here or visit our website at [www.whirlpool.com.tw](http://www.whirlpool.com.tw)

If you experience	Possible Causes	Solution
<b>Washer dryer not performing as expected (cont.)</b>		
Not cleaning or removing stains (cont.)	Not using correct cycle for fabric type.	Use a higher soil level setting and warmer wash temperature to improve cleaning.
		If using Quick Wash cycle, wash only a few items.
		Use Whites and Heavy Duty cycles for tough cleaning.
		Add an extra rinse for heavily soiled loads.
	Not using dispensers.	Use dispensers to avoid chlorine bleach and fabric softener staining.
		Load dispensers before starting a cycle.
		On some models: Make sure that the Load & Go bulk dispense liquid detergent dispenser is not empty.
		Avoid overfilling.
		Do not add products other than those specified directly to load.
	Dispense cartridge is empty.	Fill dispense cartridge to the "MAX" line with HE liquid detergent.
Detergent dispenser is not securely in place.	Pull out the dispenser, fill with detergent, and slide it back in place.	
Not washing like colors together.	Wash like colors together and remove promptly after the cycle is complete to avoid dye transfer.	
Hard water or not enough detergent used.	Use more detergent for washing heavy soils in cold or hard water.	
	Touch WATER HARDNESS (on some models) to change water hardness to "hard."	
Odors	Monthly maintenance not done as recommended.	Run the Clean Washer with affresh cycle monthly or every 30 wash cycles. See "Washer Dryer Care" in "Washer Dryer Maintenance."
		Unload washer dryer as soon as cycle is complete. Use the Fresh Hold/Fresh Spin option if load cannot be removed immediately after the wash is complete.
	Not using HE detergent or using too much HE detergent.	Use only HE detergent. Be sure to measure correctly. Always follow the manufacturer's directions. See "Washer Dryer Care" section.
	Door not left open after use.	This washer dryer has a tight seal to avoid water leaks. To avoid odors, leave the door open to allow the washer to dry between uses.
Fabric damage	Sharp items were in pockets during wash cycle.	Empty pockets, zip zippers, and snap or hook fasteners before washing to avoid snags and tears.
	Strings and straps could have tangled.	Tie all strings and straps before starting wash load.
	Items may have been damaged before washing.	Mend rips and broken threads in seams before washing.
	Fabric damage can occur if washer dryer is tightly packed.	Avoid tightly packing the washer dryer. Load with dry items only.
		Use cycle designed for the fabrics being washed.
		Add only one or two garments after washer dryer has started.
	Fabric damage can occur if washer dryer door is closed on an item, trapping it between the door glass and the rubber seal.	Do not overfill the washer dryer.
		Push wash load fully into the washer dryer.
Liquid chlorine bleach may have been added incorrectly.	Do not pour liquid chlorine bleach directly onto load. Wipe up bleach spills.	
	Undiluted bleach will damage fabrics. Do not use more than recommended by manufacturer.	

# TROUBLESHOOTING

First try the solutions suggested here or visit our website at [www.whirlpool.com.tw](http://www.whirlpool.com.tw)

If you experience	Possible Causes	Solution
<b>Washer dryer not performing as expected (cont.)</b>		
Gray whites, dingy colors	Load not sorted properly.	The transfer of dye can occur when mixing whites and colors in a load. Sort dark clothes from whites and lights.
	Wash temperatures too low.	Use hot or warm temperatures if acceptable for the load. Make sure your hot water system is adequate to provide a hot water wash.
	Hard water or not enough detergent used.	Use more detergent for washing heavy soils in cold or hard water.
Incorrect dispenser operation	Clogged dispensers or laundry products dispensing too soon.	Do not overfill dispenser. Overfilling causes immediate dispensing.
		Load dispensers before starting a cycle.
		Homes with low water pressure may result in residual powder in the dispenser. To avoid, select a warmer wash temperature if possible, depending on your load.
	Liquid chlorine bleach not used in bleach compartment.	Use only liquid chlorine bleach in the bleach compartment.
	Water in dispenser after cycle has finished.	It is normal for small amounts of water to remain in dispenser at the end of the cycle.
Single-dose laundry packet not dissolving	Adding laundry packet incorrectly.	Be sure laundry packet is added to washer dryer drum before adding clothes. Do not add packet to dispenser. Follow the manufacturer's instructions to avoid damage to your garments.
Cycle time changes or cycle time too long	Normal washer dryer operation.	The cycle times vary automatically based on your water pressure, water temperature, detergent, and clothes load. The options you select will also affect the cycle times.
	Excessive suds in washer dryer	When excessive suds are detected, a special suds routine automatically starts to remove extra suds and ensure proper rinsing of your garments. This routine will add time to the original cycle.
	Load may be out of balance.	When load unbalance occurs, a washing process will start to redistribute the load. This extends the cycle time. Avoid washing single items. Balance a single item such as a rug or jeans jacket with a few extra items.
	Not using correct cycle for load type.	The Quick Wash cycle is designed for smaller load sizes (2–4 items) of lightly soiled garments. If larger loads are washed in this cycle, cycle time will be increased.
When using the Quick Wash or Delicates cycle, you should wash small loads. This ensures a gentle wash for your garments without increasing cycle time.		
The controls are not responding	Control Lock is ON.	Touch and hold CONTROL LOCK for 3 seconds to turn off Control Lock. For each second CONTROL LOCK is held down, the display will count down one second, you will see "3," then "2," then "1."
<b>Drying Results</b>		
Clothes are not drying satisfactorily or drying times are too long	The load is too large and heavy to dry quickly.	Separate the load to tumble freely. Loading drum a quarter full or less will improve drying performance and cycle time. Run a high-speed spin cycle.
Lint on load	Area under door seal is clogged with lint.	Gently pull back the rubber door seal and clean lint with the textured side of an affresh Machine Cleaning Wipe.
	On some models: Drain pump filter is clogged with lint.	On some models: Clean the drain pump filter. See "Cleaning the Drain Pump Filter/Draining Residual Water." This procedure should be performed occasionally.

First try the solutions suggested here or visit our website at [www.whirlpool.com.tw](http://www.whirlpool.com.tw)

<b>If you experience</b>	<b>Possible Causes</b>	<b>Solution</b>
<b>Drying Results (cont.)</b>		
Dried loads are wrinkled	The load was not removed from the washer dryer at the end of the drying cycle.	Remove garments promptly at the end of the drying cycle, or use the FanFresh® option.
	The washer dryer was tightly packed.	Dry smaller loads that can tumble freely. Loading drum a quarter full or less will improve drying performance and cycle time. Results may also vary depending on fabric type.
Load too hot	Load removed before cool-down portion of cycle is complete.	Allow the drying cycle to complete the cool-down portion of the cycle before removing the load. If you cancel the cycle before the cool-down portion of the cycle and immediately remove the load, it will be very hot.



# NOTES

