

# Refrigerator

## User manual

Free Standing Appliance

**SAMSUNG**

# Contents

---

<b>Safety information</b>	<b>3</b>
What you need to know about the safety instructions	3
Important safety symbols and precautions:	4
Important safety precautions	5
Severe warning signs for transportation and site	8
Critical installation warnings	9
Installation cautions	12
Critical usage warnings	12
Usage cautions	17
Cleaning cautions	20
Critical disposal warnings	22
Additional tips for proper usage	23
Instructions about the WEEE	24
<b>Installation</b>	<b>25</b>
Refrigerator at a glance	25
Door removal for entrance	29
Step-by-step installation	36
<b>Operations</b>	<b>45</b>
Feature panel	45
SmartThings	51
Special features	54
<b>Maintenance</b>	<b>60</b>
Handle and care	60
Cleaning	64
Replacement	65
<b>Troubleshooting</b>	<b>68</b>
General	68
Do you hear abnormal sounds from the refrigerator?	72
SmartThings	74

# Safety information

---

Before using your new Samsung Refrigerator, please read this manual thoroughly to ensure that you know how to operate the features and functions that your new appliance offers safely and efficiently.

## What you need to know about the safety instructions

---

- Warnings and Important Safety Instructions in this manual do not cover all possible conditions and situations that may occur. It is your responsibility to use common sense, caution, and care when installing, maintaining, and operating your appliance.
- Because these following operating instructions cover various models, the characteristics of your refrigerator may differ slightly from those described in this manual and not all warning signs may be applicable. If you have any questions or concerns, contact your nearest service center or find help and information online at [www.samsung.com](http://www.samsung.com).
- R-600a or R-134a is used as a refrigerant. Check the compressor label on the rear of the appliance or the rating label inside the fridge to see which refrigerant is used for your appliance. When this product contains flammable gas (Refrigerant R-600a), contact your local authority in regard to safe disposal of this product.
- In order to avoid the creation of a flammable gas-air mixture if a leak in the refrigerating circuit occurs, the size of the room in which the appliance may be sited depends on the amount of refrigerant used.
- Never start up an appliance showing any signs of damage. If in doubt, consult your dealer. The room must be 1 m<sup>3</sup> in size for every 8 g of R-600a refrigerant inside the appliance. The amount of refrigerant in your particular appliance is shown on the identification plate inside the appliance.



# Safety information

---

- Refrigerant squirting out of the pipes could ignite or cause an eye injury. When refrigerant leaks from the pipe, avoid any naked flames and move anything flammable away from the product and ventilate the room immediately.
  - Failing to do so may result in fire or explosion.

## Important safety symbols and precautions:

---

Please follow all safety instructions in this manual. This manual uses the following safety symbols.

### **WARNING**

Hazards or unsafe practices that may result in **severe personal injury, property damage, and/or death.**

### **CAUTION**

Hazards or unsafe practices that may result in **severe personal injury and/or property damage.**

### **NOTE**

Useful information that helps users understand or benefit from the refrigerator.

These warning signs are here to prevent injury to you and others.

Please follow them carefully.

After reading this section, keep it in a safe place for future reference.



---

## Important safety precautions

---



Warning; Risk of fire / flammable materials

### **WARNING**

- When positioning the appliance, ensure the supply cord is not trapped or damaged.
- Do not locate multiple portable socket-outlets or portable power supplies at the rear of the appliance.
- Fill with potable water only.
- Connect to potable water supply only.
- Keep ventilation openings, in the appliance enclosure or in the built-in structure, clear of obstruction.
- Do not use mechanical devices or any other means to accelerate the defrosting process, other than those recommended by the manufacturer.
- Do not damage the refrigerant circuit.
- Do not use electrical appliances inside the food storage compartments of the appliance, unless they are of the type recommended by the manufacturer.
  
- This appliance is not intended for use by persons (including children) with reduced physical, sensory, or mental capabilities, or those who lack experience and knowledge, unless they have been given supervision or instruction concerning the use of the appliance by a person responsible for their safety.

# Safety information

---

- This appliance can be used by children aged from 8 years and above and persons with reduced physical, sensory or mental capabilities or lack of experience and knowledge if they have been given supervision or instruction concerning use of the appliance in a safe way and understand the hazards involved.  
Children shall not play with the appliance. Cleaning and user maintenance shall not be made by children without supervision.
- If the supply cord is damaged, it must be replaced by the manufacturer, its service agent or similarly qualified persons in order to avoid a hazard.
- The socket must be easily accessible so that the appliance can be quickly disconnected from the supply in an emergency.
  - It must be outside the area of the rear of the appliance.
- Do not store explosive substances such as aerosol cans with a flammable propellant in this appliance.
- If the product is equipped with LED lamps, do not disassemble the Lamp Covers and LED lamps yourself.
  - Contact a Samsung service center.
  - Use only the LED Lamps provided by the manufacturer or its service agents.
- New hose-sets supplied with the appliance are to be used and old hose-sets should not be reused.
- Have the refrigerator's water supply connected only to a potable water supply. To operate the ice maker properly, water pressure of 20 psi and 125 psi (138 and 862 kPa) is required.
- For the most efficient use of energy, please keep the all inner fittings such as baskets, drawers, shelves on the position supplied by manufacturer.
- To get the best energy efficiency of this product, please leave all shelves, drawers and baskets on their original position.

---

## How to minimize the energy consumption

- Install the appliance in a cool, dry room with adequate ventilation.
- Ensure that it is not exposed to direct sunlight and never put it near a direct source of heat (radiator, for example).
  - Not to block any vents or grilles is recommended for energy efficiency.
  - Allow warm food to cool down before placing it in the appliance.
  - Put frozen food in the refrigerator to thaw. You can then use the low temperatures of the frozen products to cool food in the refrigerator.
  - Do not keep the door of the appliance open for too long when putting food in or taking food out.
  - The shorter time for which the door is open, the less ice will form in the freezer.
  - Clean the rear of the refrigerator regularly. Dust increases energy consumption.
  - Do not set temperature colder than necessary.
  - Ensure sufficient air exhaust at the refrigerator base and at the back wall of the refrigerator. Do not cover air vent openings.
  - Allow clearance to the right, left, back and top when installing. This will help reduce power consumption and keep your energy bills lower.
- We recommend the value of clearance to be :
  - Right, left, and back side: more than 50 mm
  - Top side: more than 100 mm

# Safety information

---

This appliance is intended to be used in household and similar applications such as

- staff kitchen areas in shops, offices and other working environments;
- farm houses and by clients in hotels, motels and other residential type environments;
- bed and breakfast type environments;
- catering and similar non-retail applications.

## Severe warning signs for transportation and site

---

### **WARNING**

- When transporting and installing the appliance, care should be taken to ensure that no parts of the refrigerating circuit are damaged.
  - Refrigerant leaking from the pipe work could ignite or cause an eye injury. If a leak is detected, avoid any naked flames or potential sources of ignition and air the room in which the appliance is standing for several minutes.
  - This appliance contains a small amount of isobutane refrigerant (R-600a), a natural gas with high environmental compatibility that is, however, also combustible. When transporting and installing the appliance, care should be taken to ensure that no parts of the refrigerating circuit are damaged.
- When transporting and installing the refrigerator, do not touch the water hose on the back side of the refrigerator.
  - This may damage the refrigerator and as a result the water dispenser can not be used.

---

## Critical installation warnings

---

### **WARNING**

- Do not install the refrigerator in a damp location or place where it may come in contact with water.
  - Deteriorated insulation on electrical parts may cause an electric shock or fire.
- Do not place this refrigerator in direct sunlight or expose it to the heat from stoves, room heaters, or other appliances.
- Do not plug several appliances into the same multiple power strip. The refrigerator should always be plugged into its own individual electrical outlet which has a voltage rating that matches the voltage listed on the refrigerator's rating plate.
  - This provides the best performance and also prevents overloading of house wiring circuits, which could cause a fire hazard from overheated wires.
- If the wall socket is loose, do not insert the power plug.
  - There is a risk of electric shock or fire.
- Do not use a power cord that has cracks or abrasion damage along its length or at either end.
- Do not bend the power cord excessively or place heavy objects on it.
- Do not pull or excessively bend the power cord.
- Do not twist or tie the power cord.
- Do not hook the power cord over a metal object, place a heavy object on the power cord, insert the power cord between objects, or push the power cord into the space behind the appliance.
- When moving the refrigerator, be careful not to roll over or damage the power cord.
  - This may result in an electric shock or fire.

## Safety information

---

- Never unplug your refrigerator by pulling on the power cord. Always grip the plug firmly and pull straight out from the outlet.
  - Damage to the cord may cause a short-circuit, fire, and/or electric shock.
- Do not use aerosols near the refrigerator.
  - Using aerosols near the refrigerator may cause an explosion or fire.
- Do not install this appliance near a heater or inflammable material.
- Do not install this appliance in a location where gas may leak.
  - This may result in an electric shock or fire.
- This refrigerator must be properly located and installed in accordance with the instructions in this manual before you use it.
- Connect the power plug in the proper position with the cord hanging down.
  - If you connect the power plug upside down, the wire can get cut off and cause a fire or electric shock.
- Make sure that the power plug is not crushed or damaged by the back of the refrigerator.
- Keep the packing materials out of reach of children.
  - There is a risk of death from suffocation if a child puts the packing materials on his or her head.
- Do not install this appliance in a humid, oily or dusty location, in a location exposed to direct sunlight and water (rain drops).
  - Deteriorated insulation of electrical parts may cause an electric shock or fire.
- If any dust or water is in the refrigerator, pull out power plug and contact your Samsung Electronics service center.
  - Otherwise there is a risk of fire.

- 
- Do not stand on top of the appliance or place objects (such as laundry, lighted candles, lighted cigarettes, dishes, chemicals, metal objects, etc.) on the appliance.
    - This may result in an electric shock, fire, problems with the product, or injury.
  - You need to remove all the protective plastic film before you initially plug the product in.
  - Children should be supervised to ensure that they do not play with the snap rings used for door adjustment or the water tube clips.
    - There is risk of death by suffocation if a child swallows a snap ring or water tube clip. Keep the snap rings and water tube clips out of children's reach.
  - The refrigerator must be safely grounded.
    - Always make sure that you have grounded the refrigerator before attempting to investigate or repair any part of the appliance. Power leakages can cause severe electric shock.
  - Never use gas pipes, telephone lines, or other potential lightning attractors as an electrical ground.
    - You must ground the refrigerator to prevent any power leakages or electric shocks caused by current leakage from the refrigerator.
    - This may result in an electric shock, fire, explosion, or problems with the product.
  - Plug the power plug into the wall socket firmly. Do not use a damaged power plug, damaged power cord, or loose wall socket.
    - This may result in an electric shock or fire.
  - The fuse on the refrigerator must be changed by a qualified technician or service company.
    - Failing to do so may result in an electric shock or personal injury.

# Safety information

---

## Installation cautions

---

### CAUTION

- Allow sufficient space around the refrigerator and install it on a flat surface.
  - If your refrigerator is not level, cooling efficiency and durability can be declined.
- Allow the appliance to stand for 2-3 hours before loading foods after installation and turning on.
- We strongly recommend you have a qualified technician or service company install the refrigerator.
  - Failing to do so may result in an electric shock, fire, explosion, problems with the product, or injury.

## Critical usage warnings

---

### WARNING

- Do not insert the power plug into a wall socket with wet hands.
  - This may result in an electric shock.
- Do not store articles on the top of the appliance.
  - When you open or close the door, the articles may fall and cause personal injury and/or material damage.
- Do not insert hands, feet or metal objects (such as chopsticks, etc.) into the bottom or the back of the refrigerator.
  - This may result in an electric shock or injury.
  - Any sharp edges may cause a personal injury.
- Do not touch the inside walls of the freezer or products stored in the freezer with wet hands.
  - This may cause frostbite.
- Do not put a container filled with water on the refrigerator.
  - If spilled, there is a risk of fire or electric shock.

- 
- Do not keep volatile or flammable objects or substances (benzene, thinner, propane gas, alcohol, ether, LP gas, and other such products) in the refrigerator.
    - This refrigerator is for storing food only.
    - This may result in fire or explosion.
  - Children should be supervised to ensure that they do not play with the appliance.
    - Keep fingers out of “pinch point” areas. Clearances between the doors and cabinet are necessarily small. Be careful when you open the doors if children are in the area.
  - Do not put your fingers or children's fingers between the doors.
    - Keep fingers out of the left and right door gaps. Be careful when you open the doors if your fingers are in between the doors.
  - Do not let children hang on the door or door bins. A serious injury may occur.
  - Do not let children go inside the refrigerator. They could become trapped.
  - Do not insert your hands into the bottom area under the appliance.
    - Any sharp edges may cause personal injury.
  - Do not store pharmaceutical products, scientific materials, or temperature sensitive products in the refrigerator.
    - Products that require strict temperature controls must not be stored in the refrigerator.
  - If you smell pharmaceutical or smoke, pull out power plug immediately and contact your Samsung Electronics service center.
  - If any dust or water is in Refrigerator, pull out power plug and contact your Samsung Electronics service center.
    - Otherwise there is a risk of fire.

# Safety information

---

- Do not let children step on a drawer.
  - The drawer may break and cause them to slip.
- Do not leave the doors of the refrigerator open while the refrigerator is unattended and do not let children enter inside the refrigerator.
- Do not allow babies or children go inside the drawer.
  - It can cause death from suffocation by entrapment or personal injury.
- Do not overfill the refrigerator with food.
  - When you open the door, an item may fall out and cause personal injury or material damage.
- Do not spray volatile material such as insecticide onto the surface of the appliance.
  - As well as being harmful to humans, it may also result in an electric shock, fire, or problems with the product.
- Never put fingers or other objects into the water dispenser hole, ice chute and ice maker bucket.
  - It may cause a personal injury or material damage.
- Do not use or place any substances sensitive to temperature such as flammable sprays, flammable objects, dry ice, medicine, or chemicals near or inside of the refrigerator.
- Do not use a hair dryer to dry the inside of the refrigerator. Do not place a lighted candle in the refrigerator for removing bad odours.
  - This may result in an electric shock or fire.
- Fill the water tank, ice tray and water cubes only with potable water (mineral water or purified water).
  - Do not fill the tank with tea, juice or sports drink, this may damage the refrigerator.

- 
- Do not stand on top of the appliance or place objects (such as laundry, lighted candles, lighted cigarettes, dishes, chemicals, metal objects, etc.) on the appliance. This may result in an electric shock, fire, problems with the product, or injury. Do not put a container filled with water on the appliance.
    - If spilled, there is a risk of fire or electric shock.
  - Never stare directly at the UV LED lamp for long periods of time.
    - This may result in eye strain due to the ultraviolet rays.
  - Do not put shelf in upside down. Shelf stopper could not work.
    - It may cause a personal injury because of glass shelf drop.
  - Keep fingers out of “pinch point” areas. Clearances between the doors and cabinet are necessarily small. Be careful when you open the doors if children are in the area.
  - If a gas leak is detected, avoid any naked flames or potential sources of ignition, and air the room in which the appliance is standing for several minutes.
    - Do not touch the appliance or power cord.
    - Do not use a ventilating fan.
    - A spark may result in explosion or fire.
  - Bottles should be stored tightly together so that they do not fall out.
  - This product is intended only for the storage of food in a domestic environment.
  - Never put fingers or other objects into the water dispenser hole, ice chute and ice maker bucket.
    - It may cause a personal injury or material damage.
  - Do not attempt to repair, disassemble, or modify the refrigerator yourself.
  - Do not use any fuse (such as cooper, steel wire, etc.) other than a standard fuse.

# Safety information

---

- If your refrigerator needs to be repaired or reinstalled, contact your nearest service center.
  - Failing to do so may result in an electric shock, fire, problems with the product, or injury.
- If the refrigerator emits a burning smell or smoke, unplug the refrigerator immediately and contact your Samsung Electronics service center.
  - Failing to do so may result in an electric or fire hazards.
- Pull the power plug out of the socket before changing the interior lamps of the refrigerator.
  - Otherwise, there is a risk of electric shock.
- If you experience difficulty changing a non-LED light, contact a Samsung service center.
- Plug the power plug into the wall socket firmly.
- Do not use a damaged power plug, damaged power cord or loose wall socket.
  - This may result in an electric shock or fire.

---

## Usage cautions

---

### CAUTION

- Do not refreeze thawed food.
  - Frozen and thawed food will develop harmful bacteria faster than fresh.
  - The second thaw will break down even more cells, leaching out moisture and changing the integrity of the product.
- Do not thaw meat at room temperature.
  - Safety will depend on whether the raw product was handled properly.
- Do not place glass bottles or carbonated beverages into the freezer.
  - The container may freeze and break, and this may result in injury.
- Use only the ice maker provided with the refrigerator.
- If you will be away from home for a long period of time (on vacation, for example) and won't be using the water or ice dispensers, close the water valve.
  - Otherwise, water leakage may occur.
- If you won't be using the refrigerator for a very long period of time, (3 weeks or more) empty the refrigerator including the ice bucket, unplug it, close the water valve, wipe excess moisture from the inside walls, and leave the doors open to prevent odors and mold.
- To get the best performance from the product:
  - Do not place food too close to the vents at the rear of the refrigerator as this can obstruct free air circulation in the refrigerator compartment.
  - Wrap food up properly or place it in airtight containers before putting it into the refrigerator.

## Safety information

---

- Please observe maximum storage times and expiration dates of frozen goods.
- There is no need to disconnect the refrigerator from the power supply if you will be away for less than three weeks. However, if you will be away for more than three weeks, remove all the food and ice in the ice bucket, unplug the refrigerator, close the water valve, wipe excess moisture from the inside walls, and leave the doors open to prevent odors and mold.
- Service Warranty and Modification.
  - Any changes or modifications performed by a 3rd party on this finished appliance are not covered under Samsung warranty service, nor is Samsung responsible for safety issues that result from 3rd party modifications.
- Do not block the air vents inside the refrigerator.
  - If the air vents are blocked, especially with a plastic bag, the refrigerator can be over cooled. If a cooling period lasts too long, the water filter may break and cause water leakage.
- Use only the ice-maker provided with the refrigerator.
- Wipe excess moisture from the inside and leave the doors open.
  - Otherwise, odor and mold may develop.
- If the refrigerator is disconnected from the power supply, you should wait for at least five minutes before plugging it back in.
- When the refrigerator got wet by water, pull out the power plug and contact your Samsung Electronics service center.
- Do not strike or apply excessive force to any glass surface.
  - Broken glass may result in a personal injury and/or property damage.

- 
- Fill the water tank and ice cube trays with potable water only (tap water, mineral water, or purified water).
    - Do not fill the tank with tea or a sports drink. This may damage the refrigerator.
  - Be careful that your fingers are not caught in.
  - If the refrigerator is flooded, make sure to contact your nearest service center.
    - There is a risk of electric shock or fire.
  - Do not keep vegetable oil in your refrigerator's door bins. The oil can solidify, making it foul-tasting and difficult to use. In addition, the open container can leak and the leaked oil can cause the door bin to crack. After opening an oil container, it is best to keep the container in a cool and shaded place such as a cupboard or pantry.
    - Examples of vegetable oil: olive oil, corn oil, grape-seed oil, etc.



# Safety information

---

## Cleaning cautions

---

### CAUTION

- Do not spray water directly on the inside or outside the refrigerator.
  - There is a risk of fire or electric shock.
- Do not use a hair dryer to dry the inside of the refrigerator.
- Do not place a lighted candle in the refrigerator to remove bad odors.
  - This may result in an electric shock or fire.
- Do not spray cleaning products directly on the display.
  - Printed letters on the display may come off.
- If any foreign substance such as water has entered the appliance, unplug the power plug and contact your nearest service center.
  - Failing to do so may result in an electric shock or fire.
- Use a clean, dry cloth to remove any foreign matter or dust from the power plug blades. Do not use a wet or damp cloth when cleaning the plug.
  - Otherwise, there is a risk of fire or electric shock.
- Do not clean the appliance by spraying water directly onto it.
- Do not use benzene, thinner, or Clorox, Chloride for cleaning.
  - They may damage the surface of the appliance and may cause a fire.
- Never put fingers or other objects into the dispenser hole.
  - It may cause a personal injury or material damage.
- Before cleaning or performing maintenance, unplug the appliance from the wall socket.
  - Failing to do so may result in an electric shock or fire.
- Use a clean sponge or soft cloth and a mild detergent in warm water to clean the refrigerator.



- 
- Do not use abrasive or harsh cleansers such as window sprays, scouring cleansers, flammable fluids, muriatic acid, cleaning waxes, concentrated detergents, bleaches, or cleansers containing petroleum products on exterior surfaces (doors and cabinet), plastic parts, door and interior liners, and gaskets.
    - These can scratch or damage the material.
  - Do not clean glass shelves or covers with warm water when they are cold. Glass shelves and covers may break if exposed to sudden temperature changes or impacts such as bumping or dropping.

# Safety information

---

## Critical disposal warnings

---

### **WARNING**

- Please dispose of the packaging material from this product in an environmentally friendly manner.
- Ensure that none of the pipes on the back of the refrigerator are damaged prior to disposal.
- R-600a or R-134a is used as a refrigerant. Check the compressor label on the rear of the appliance or the rating label inside the fridge to see which refrigerant is used for your refrigerator. If this refrigerator contains flammable gas (Refrigerant R-600a), contact your local authority in regard to safe disposal of this product.
- When disposing of this refrigerator, remove the door/door seals and door latch so that small children or animals cannot become trapped inside. Children should be supervised to ensure that they do not play with the appliance. If trapped inside, a child may get hurt or suffocate to death.
  - If trapped inside, the child may become injury and suffocate to death.
- Cyclopentane is used in the insulation. The gases in the insulation material require a special disposal procedure. Please contact your local authorities in regard to the environmentally safe disposal of this product.
- Keep all packaging materials well out of the reach of children, as packaging materials can be dangerous to children.
  - If a child places a bag over his or her head, the child could suffocate.

---

## Additional tips for proper usage

---

- In the event of a power failure, call the local office of your electric company and ask how long the failure is going to last.
  - Most power failures that are corrected in an hour or two will not affect your refrigerator temperatures. However, you should minimize the number of door openings while the power is off.
  - Should the power failure last more than 24 hours, remove and discard all frozen food.
- The refrigerator might not operate consistently (frozen contents can thaw or temperatures can become too warm in the frozen food compartment) if sited for an extended period of time in a location where ambient air temperatures are constantly below the temperatures for which the appliance is designed.
- In case of particular foods, keeping it under refrigeration can have a bad effect on preservation due to its properties.
- Your appliance is frost free, which means there is no need to manually defrost your appliance. This will be carried out automatically.
- Temperature rise during defrosting complies with ISO requirements. If you want to prevent an undue rise in the temperature of frozen food while the appliance defrosts, wrap the frozen food in several layers of newspaper.
- Do not re-freeze frozen foods that have thawed completely.
- The temperature of two star section (sections) or compartment (compartments) which have two star symbol (☆☆) is slightly higher than other freezer compartment (compartments).  
The two star section (sections) or compartment (compartments) is (are) based on the instruction and/or the condition as delivered.

# Safety information

---

## Instructions about the WEEE

---



Correct Disposal of This Product (Waste Electrical & Electronic Equipment)  
(Applicable in countries with separate collection systems)

This marking on the product, accessories or literature indicates that the product and its electronic accessories (e.g. charger, headset, USB cable) should not be disposed of with other household waste at the end of their working life. To prevent possible harm to the environment or human health from uncontrolled waste disposal, please separate these items from other types of waste and recycle them responsibly to promote the sustainable reuse of material resources.

Household users should contact either the retailer where they purchased this product, or their local government office, for details of where and how they can take these items for environmentally safe recycling.

Business users should contact their supplier and check the terms and conditions of the purchase contract. This product and its electronic accessories should not be mixed with other commercial wastes for disposal.

For information on Samsung's environmental commitments and product specific regulatory obligations e.g. REACH, WEEE, Batteries, visit our sustainability page available via [Samsung.com](https://www.samsung.com)

(For products sold in European countries only)

# Installation

Follow these instructions carefully to ensure a proper installation of this refrigerator and to prevent accidents before using it.

## **⚠ WARNING**

- Use the refrigerator only for its intended purpose as described in this manual.
- Any servicing must be performed by a qualified technician.
- Dispose of the product packaging material in compliance with the local regulations.
- To prevent electric shock, unplug the power cord before servicing or replacements.

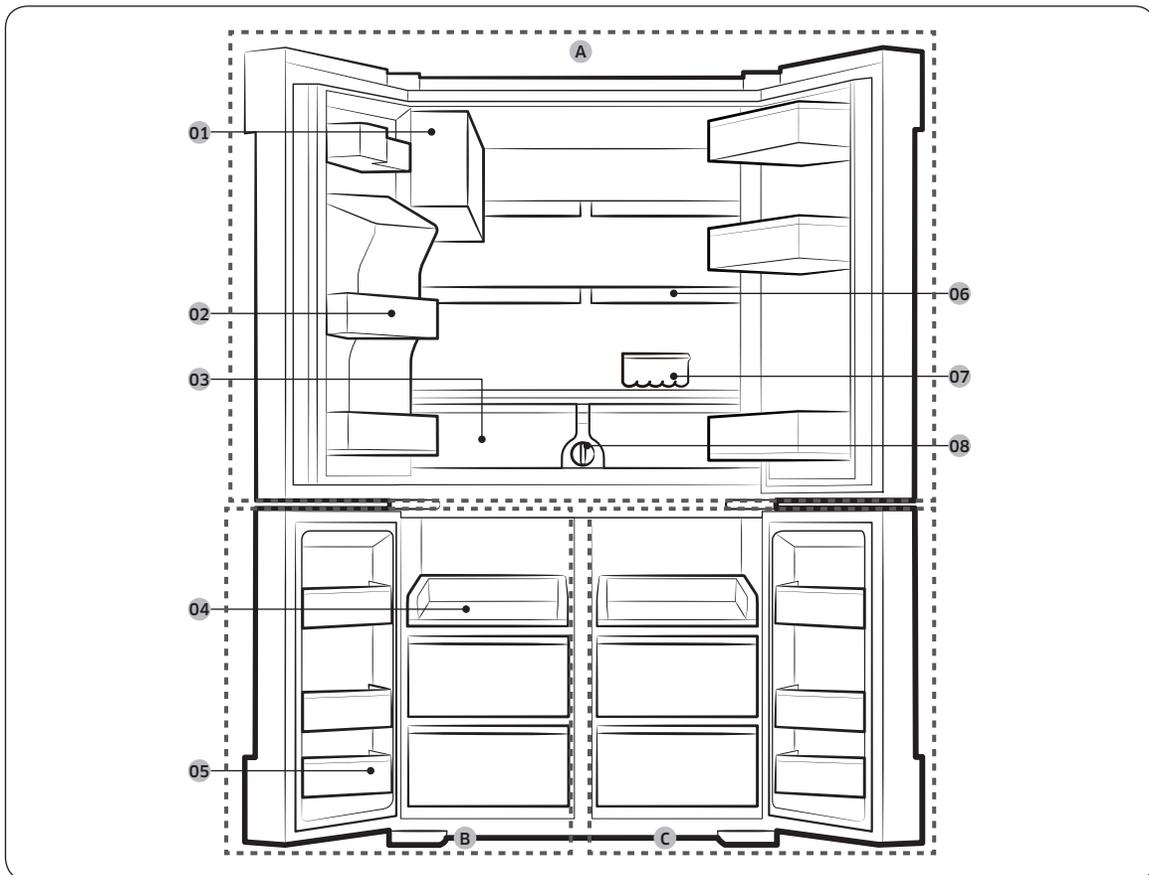
## Refrigerator at a glance

### **📄 NOTE**

The actual image and provided component parts of the refrigerator may differ, depending on the model and the country.

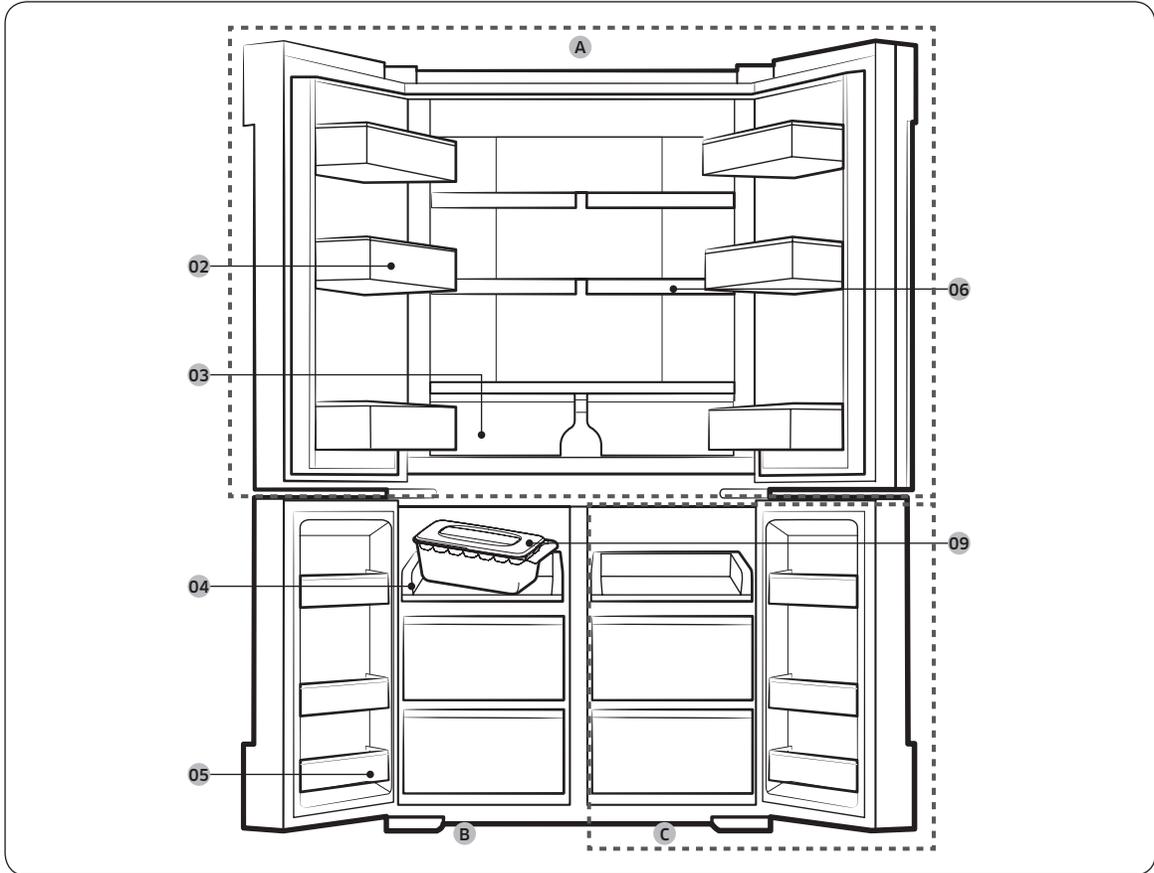
For more information, see the Layout section.

Type A



# Installation

Type B



- 01** Auto Ice Maker (ICE MASTER) \*
- 02** Fridge door bin
- 03** Fresh Vegetable & Fruit Drawers
- 04** Sliding shelf
- 05** Freezer door bin
- 06** Quick space shelf
- 07** Egg tray
- 08** Water filter \*
- 09** Ice cube tray \*

- A.** Fridge
- B.** Freezer
- C.** Cool Select+

\* applicable models only

---

 **NOTE**

- For energy efficiency, keep all shelves, drawers, and baskets in their original positions.
- When closing the door, make sure the vertical hinged section is in the correct position to avoid scratching the other door.
- If the vertical hinged section is reversed, put it back into the correct position, and then close the door.
- Moisture may form at times on the vertical hinged section.
- If you close a door by force, the other door may open.
- When the door opens, the interlock switch automatically disables the auger motor of the ice maker for safety reasons.
- If the internal or external LED lamp is out of order, contact a local Samsung service center.

**To secure more room for storage in the freezer compartment**

Remove one or more optional accessories such as shelf or shelves, and their supports, all of which can be removed manually without a tool.

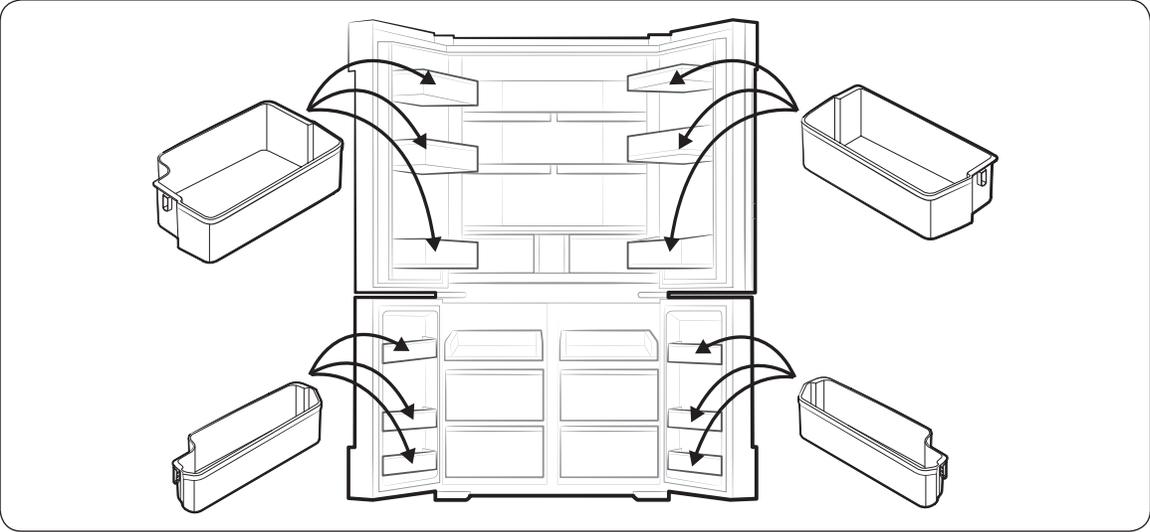
- These optional accessories do not affect thermal and mechanical performance.
- A declared storage volume of the freezer is based on the nonexistence of those optional accessories.
- For best energy efficiency, make sure all shelves, drawers, and bins are placed in their original position.

# Installation

## Door bins

Your refrigerator ships with door bins of different types and sizes. If the door bins for your refrigerator were packaged separately, use the figure below to help you position the bins properly.

The number of door bins provided may differ with the model.



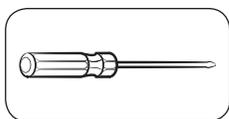
---

## Door removal for entrance

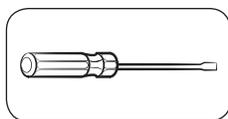
---

If the refrigerator cannot pass through the entrance due to its size, follow these instructions:

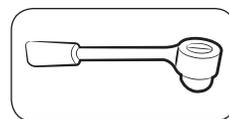
### Tools required (not provided)



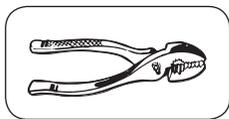
Phillips screwdriver



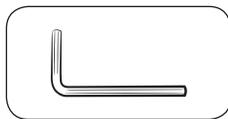
Flat-head screwdriver



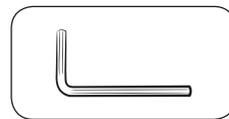
Socket spanner (10 mm)



Pliers

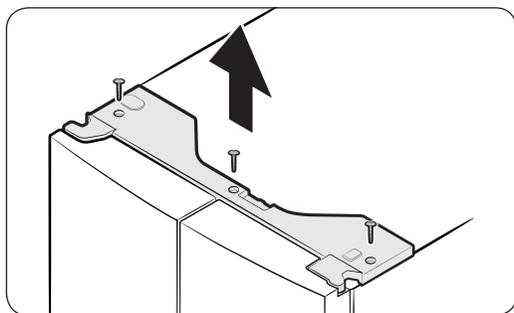


Allen spanner (4 mm)



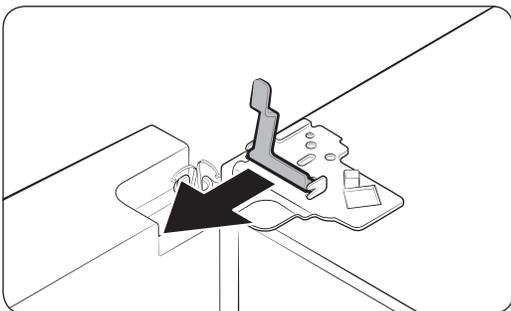
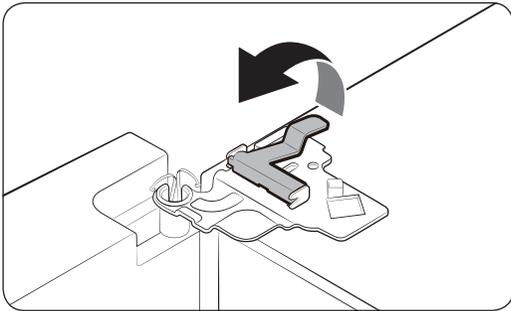
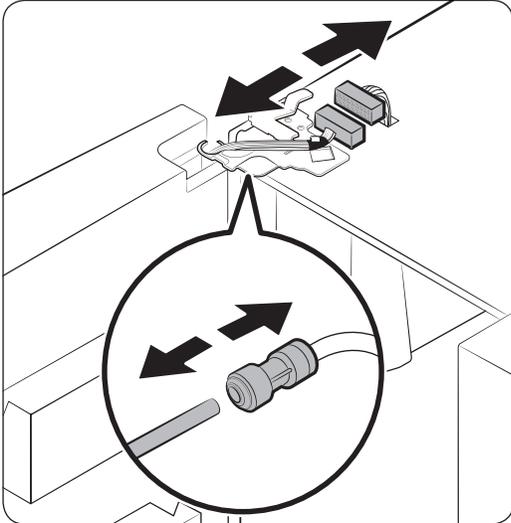
Allen spanner (5 mm)

### Detach the fridge doors



1. With the door closed, use a Phillips screwdriver to remove the screws (x3) from the top cover. Pull up and remove the top cover with the connectors.

# Installation

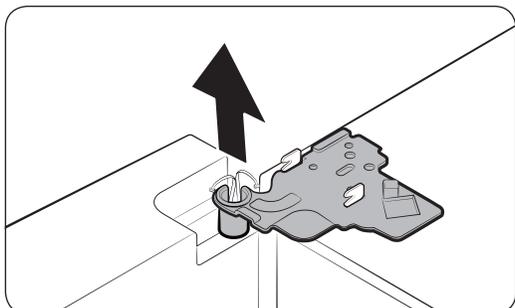


2. Disconnect the two connectors on the left door. The position of the connectors differs with the model.

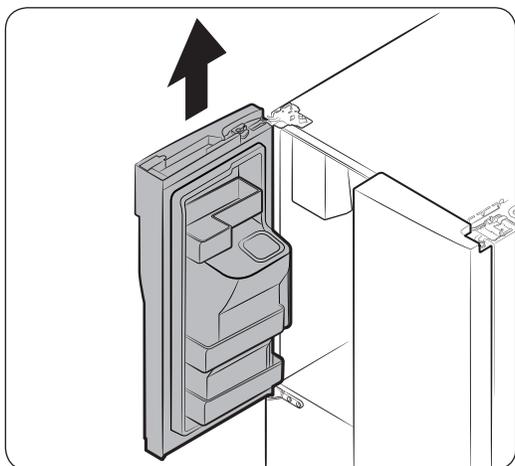
**CAUTION**

- Do not remove both doors simultaneously. Make sure to remove one door at a time. Otherwise, any of the doors may fall and cause physical injury.
  - Make sure the refrigerator powers off before disconnecting the connectors.
3. Disconnect the water tube from the coupler on the left door as shown.
  4. Gently draw up the clamp in several steps. To prevent finger injuries, do not apply a sudden force to the clamp.

5. Pull up the clamp to remove.



6. Open the door by 90 degrees. While holding the door, remove the top hinge.



7. Gently pull up the door vertically to remove. Do not apply excessive force to the door. The door may fall, causing physical injury.

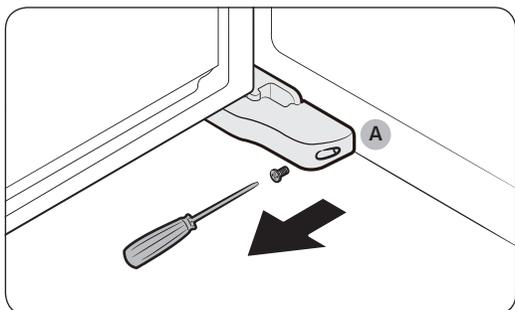
8. Lay the door down on a flat surface.

9. Repeat the above steps for the other door.

### Detach the freezer doors

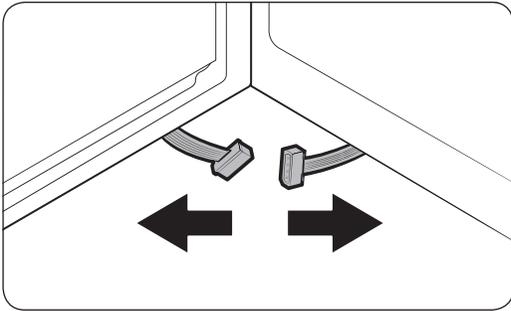
#### ⚠ CAUTION

- Be sure to remove the fridge doors before removing the freezer doors.
- Use caution when disconnecting the bottom connectors.

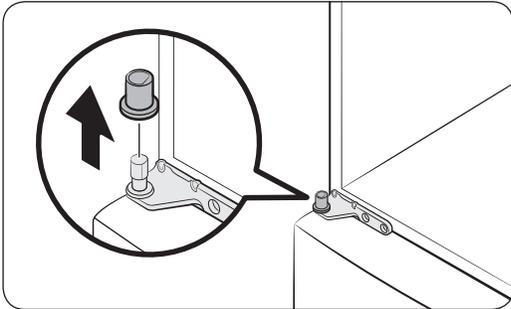


1. With the freezer door open, use a Phillips screwdriver to remove the screw holding the cover (A) of the adjustable leg.

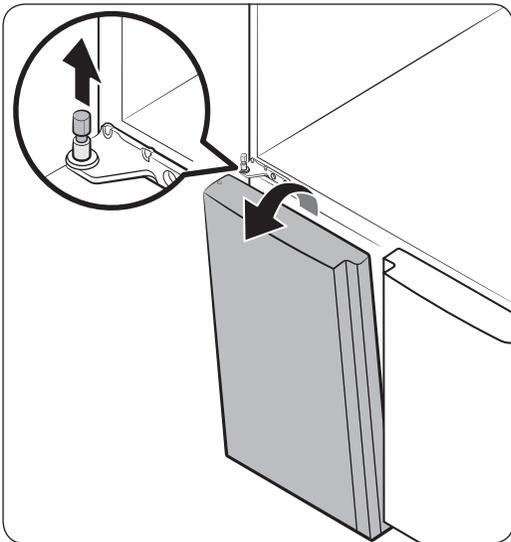
# Installation



2. Then, disconnect the connectors.



3. Pull up to remove the middle hinge cap on the top of the freezer door.



4. Pull out the hinge shaft, and then push the door in the arrow direction to detach.

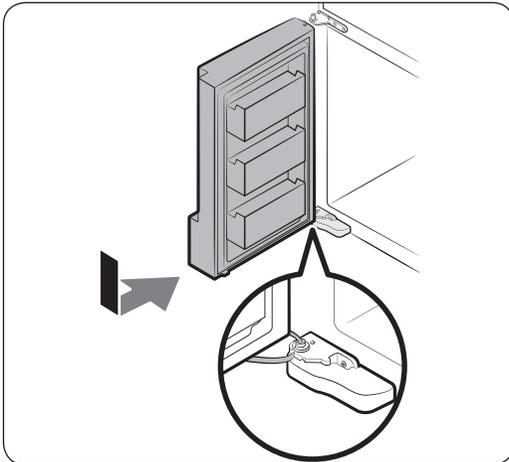
5. Tilt the door to the front, and then gently lift it up to remove. Be careful not to touch the middle hinge, which may damage the door.

6. Repeat the above steps for the other door.

## Reattach the freezer doors

### ⚠ CAUTION

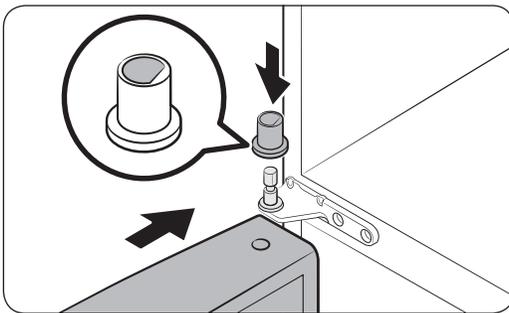
- Before reattaching the doors, make sure all the electrical connectors are properly connected.
- The freezer door must be reattached before the fridge door.
- Be careful not to damage or step on the wires during this process.



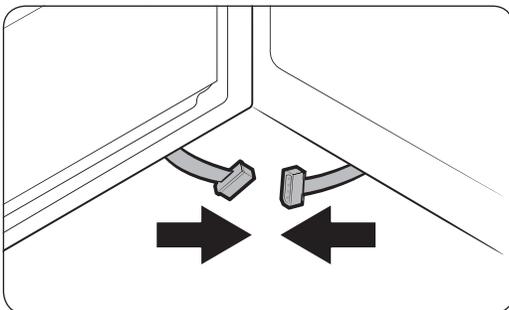
1. Insert the freezer door into the bottom hinge while pushing the freezer door in the arrow direction.

### ⚠ CAUTION

- Be careful not to damage or step on the wires during this process.

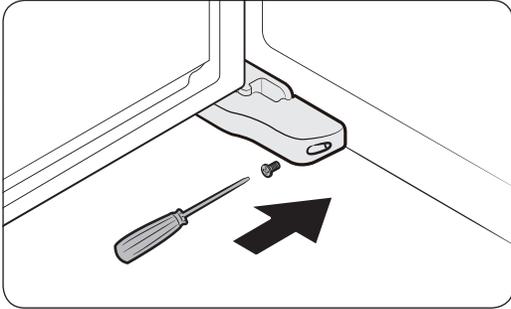


2. Insert the hinge shaft in the hinge hole. Then, close the hinge cap. Note that the hinge cap looks like the letter 'D' at the bottom so it can be reinserted only in one direction.



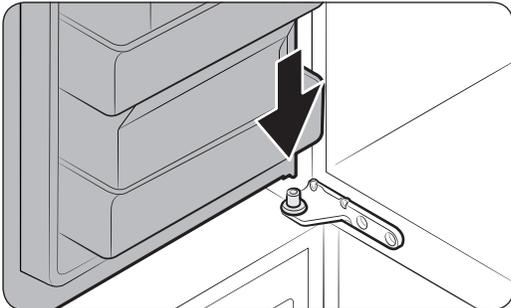
3. With the door open, connect the bottom connectors in the arrow directions.

# Installation

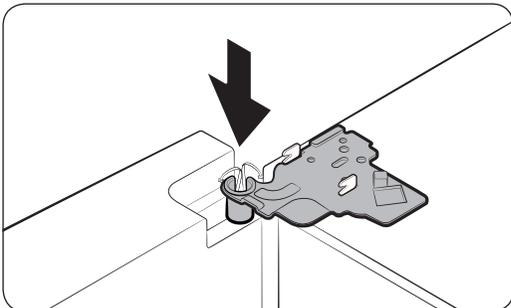


4. Attach the levelling foot cover using a Phillips screwdriver. Use caution not to damage or step on the connectors.
5. Repeat the above steps for the other door.

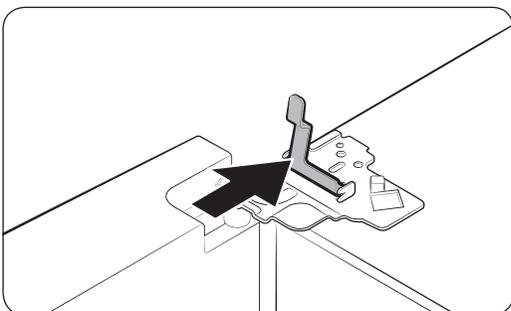
## Reattach the fridge doors



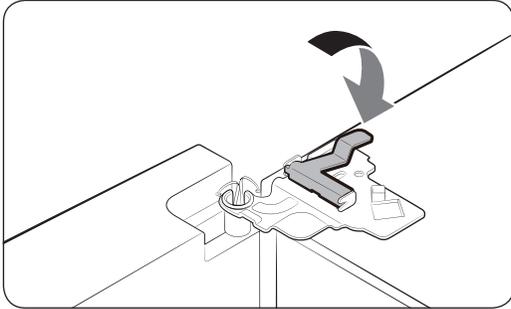
1. While holding the door open by more than 90 degrees, reinsert it into the middle hinge.



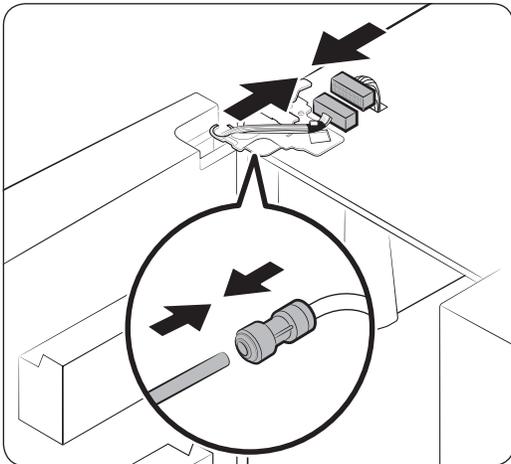
2. Put the top hinge into its position, and then insert into the top hole of the door.



3. Insert the clamp in the arrow direction.



4. Draw back the clamp as shown.



5. Connect the wire connectors.

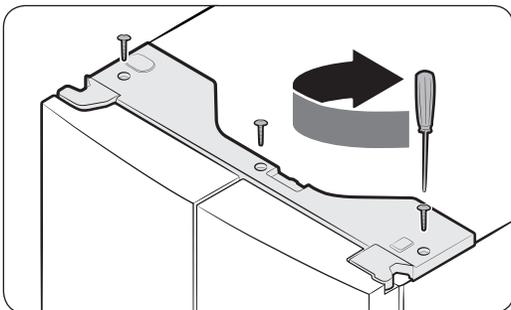
**⚠ CAUTION**

- Make sure the wire connectors are connected properly. Otherwise, the display does not operate.

6. Connect the water tube.

**⚠ CAUTION**

- To prevent water leaks, make sure the red clips tighten the coupler properly.
- Keep the clips out of children's reach.



7. Repeat the above steps for the other door.

8. Attach the top cover with the front side first, and then press down on its back to fit into position. Then, tighten the screws (x3).

# Installation

## Step-by-step installation

### STEP 1 Select a site

Site requirements:

- Solid, level surface without carpeting or flooring that may obstruct ventilation
- Away from direct sunlight
- Adequate room for opening and closing the door
- Away from a heat source
- Room for maintenance and servicing
- Temperature range: between 10 °C and 43 °C

#### Effective temperature range

The refrigerator is designed to operate normally in the temperature range specified by its class rating.

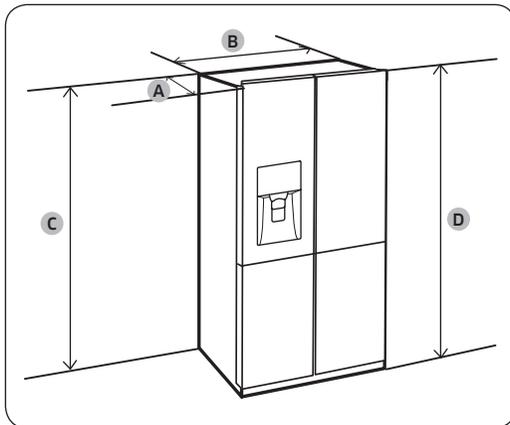
Class	Symbol	Ambient Temperature range (°C)	
		IEC 62552 (ISO 15502)	ISO 8561
Extended Temperate	SN	+10 to +32	+10 to +32
Temperate	N	+16 to +32	+16 to +32
Subtropical	ST	+16 to +38	+18 to +38
Tropical	T	+16 to +43	+18 to +43

#### NOTE

The cooling performance and power consumption of the refrigerator may be affected by the ambient temperature, the door-opening frequency, and the location of the refrigerator. We recommend adjusting the temperature settings as appropriate.

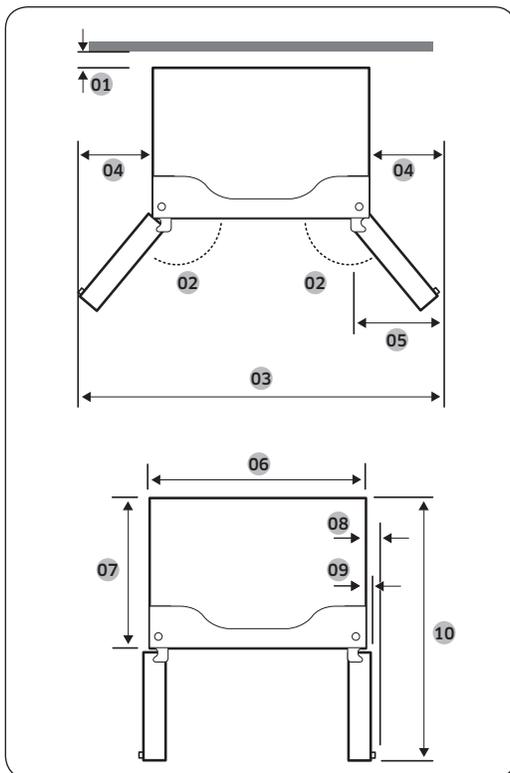
## Clearance

See the pictures and table below for space requirements for installation.



Depth "A"	733
Width "B"	908
Height "C"	1797
Overall Height "D"	1825

(unit: mm)



- 01 50 mm
- 02 125°
- 03 1515 mm
- 04 303 mm
- 05 305 mm
- 06 908 mm
- 07 610 mm
- 08 70 mm
- 09 43 mm
- 10 1083 mm

## NOTE

The measurements in the above table may differ, depending on the measuring method.

# Installation

## STEP 2 WiFi connection

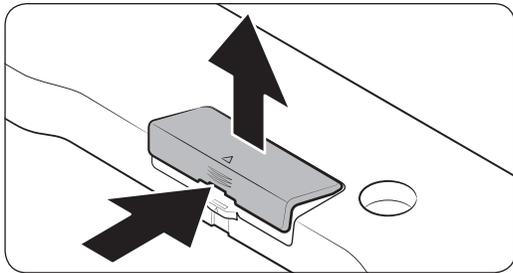
You can control the refrigerator remotely using the Smart Home Adapter that is sold separately. To purchase the Smart Home Adapter, visit [www.samsung.com](http://www.samsung.com) and follow the product information about the adapter.

### NOTE

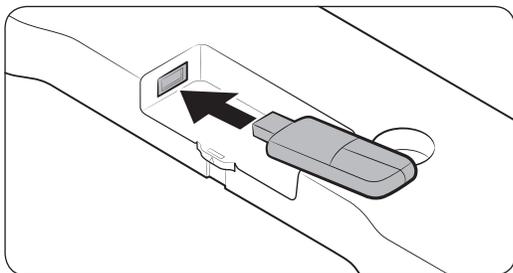
You may not be able to purchase the Smart Home Adapter separately in some countries. Please check with your dealer for availability.

### CAUTION

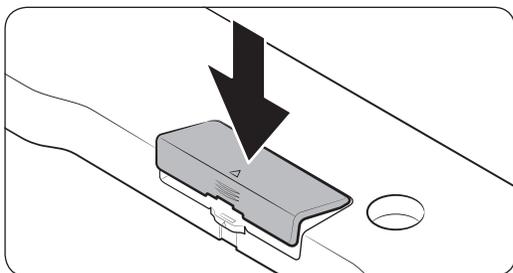
- The Samsung Smart Home Adapter comes in two types: one that is dedicated to Samsung smart TVs, and the other one that is dedicated to Samsung home appliances.
- You must purchase the Samsung Smart Home Adapter dedicated to home appliances. Any other adapters may cause system failure.



1. Press to unlock the arrow area of the adapter cover.
2. Open up the adapter cover.

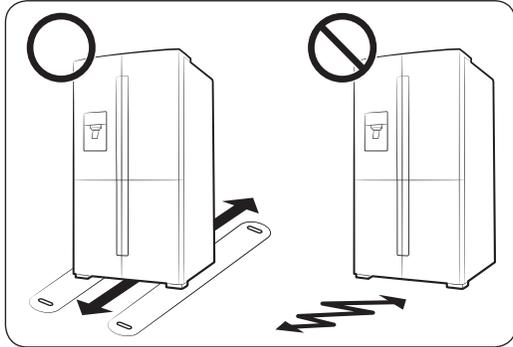


3. Insert the Smart Home Adapter into the adapter port in the correct direction.



4. Insert the upper area of the adapter cover first, and then close to lock as shown.

### STEP 3 Flooring



- The surface to install the refrigerator must support a fully loaded refrigerator.
- To protect the floor, put a large piece of cardboard on each leg of the refrigerator.
- Once the refrigerator is in its final position, do not move it unless necessary to protect the floor. If you have to, use a thick paper or cloth such as old carpets along the movement path.

#### NOTE

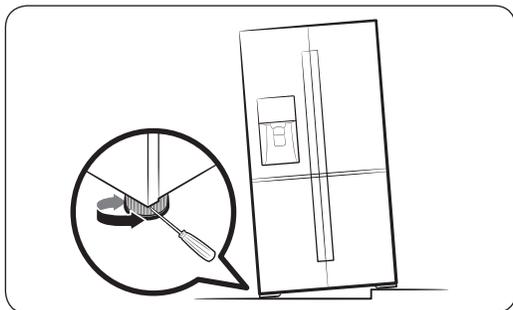
If the refrigerator cannot pass through the entrance due to its size, see the Door removal for entrance section in the Installation chapter.

### STEP 4 Adjust the levelling feet

#### CAUTION

- The refrigerator must be levelled on a flat, solid floor. Failing to do so can cause damage to the refrigerator or physical injury.
- Levelling must be performed with an empty refrigerator. Make sure no food items remain inside the refrigerator.
- For safety reasons, adjust the front side a little higher than the rear side.

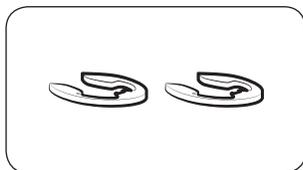
The refrigerator can be levelled using the front legs that have a special screw (leveller) for levelling purposes. Use a flat-head screwdriver for levelling.



- To adjust the height of the left side: Insert a flat-head screwdriver into the leveller of the left side front leg. Turn the leveller clockwise to raise, or turn it counter clockwise to lower.
- To adjust the height of the right side: Insert a flat-head screwdriver into the leveller of the right side front leg. Turn the leveller clockwise to raise, or turn it counter clockwise to lower.

# Installation

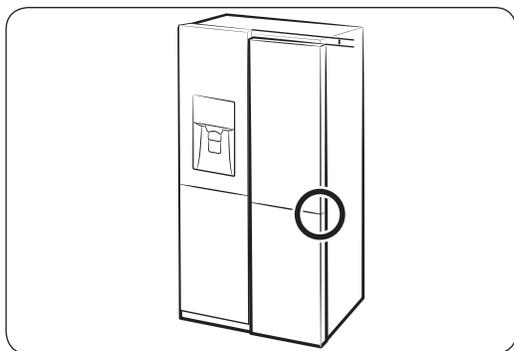
## STEP 5 Adjust the door height as well as the door gap



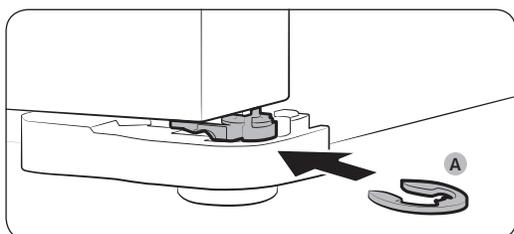
### Snap ring

The height of a door can be adjusted using the provided snap rings, which come in 4 different sizes (1 mm, 1.5 mm, 2 mm, and 2.5 mm).

To adjust the height of a door



1. Check the height difference between the doors, and then raise and hold the lower door.

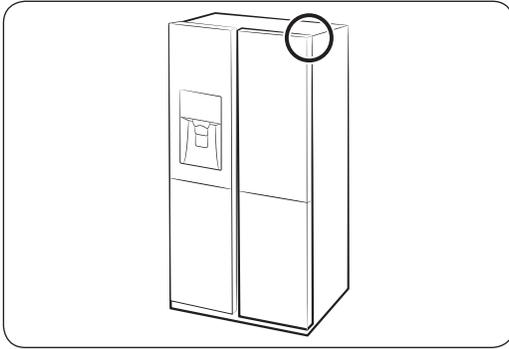


2. Insert a suitable-sized snap ring (A) between the door and the hinge as shown.

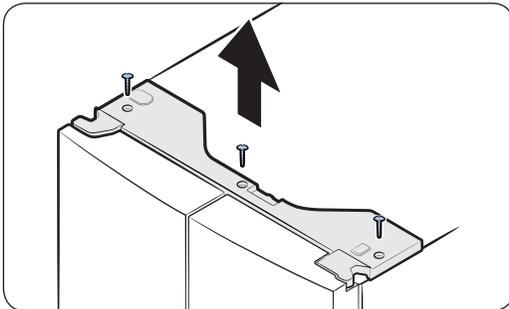
### ⚠ CAUTION

- Insert only one snap ring for this purpose. Two or more snap rings may slip out or make a rubbing noise.
- Keep the snap rings out of children's reach, and keep them for future use.
- Do not raise the door too much. The door can contact and damage the top cover.

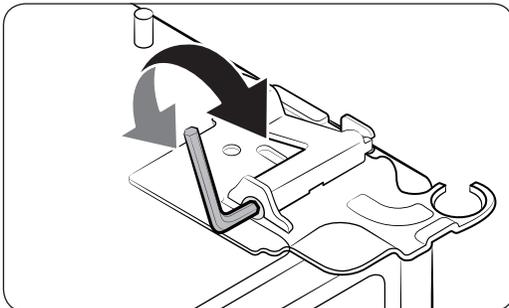
## To correct the door gap



Door gaps can be corrected using the gap bolt on the top right corner of the refrigerator.



1. With the door closed, use a **Phillips screwdriver** to remove 3 screws on the top cover with the wire connectors.



2. Use a 4 mm **Allen spanner** (not provided) to correct the door gap between two doors.
  - To widen the gap, turn the gap bolt clockwise.
  - To narrow the gap, turn the gap bolt counter clockwise.
3. When complete, reinsert the top cover.

### **CAUTION**

The electrical connectors must be intact during this process. Use caution not to tangle the connector wires or peel off the coating.

# Installation

## STEP 6 Connect to a water source (applicable models only)

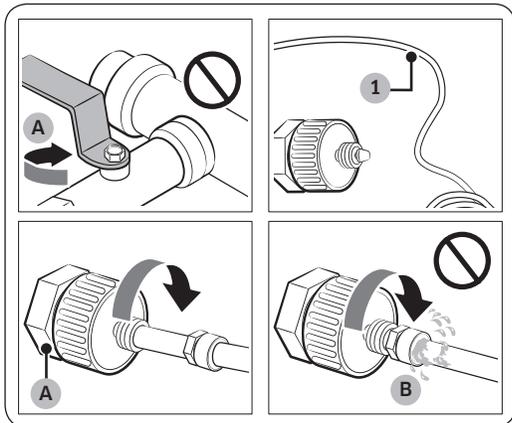
### ⚠ CAUTION

- The new hose-sets supplied with the appliance are to be used and that old hose-sets should not be reused.
- The water line must be connected by a qualified technician.
- The warranty for your refrigerator does not cover the water line installation. The water line installation will be performed at your own costs unless the installation fee is included in the retailer's price.
- Samsung takes no responsibility for the water line installation. If water leaks occur, contact the installer of the water line.

To connect the cold water pipe to the water filtering hose

### ⚠ CAUTION

- Make sure the water filtering hose is connected to a cold, potable water source pipe. Connecting to the hot water pipe may cause the purifier to malfunction.

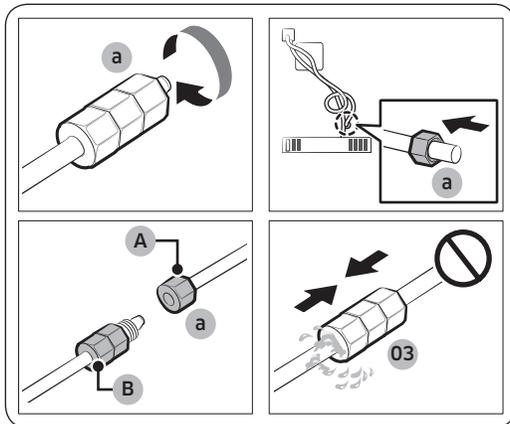


**A.** Close Main Water pipe

**B.** No gap

1. Shut off the water supply by closing the main water valve.
2. Locate the cold, potable **water pipe (1)**.
3. Follow the Water Line Installation to connect to the water pipe.
4. When connection is complete, open the main water valve and dispense about 3 liters of water. This is to remove impurities inside the pipe.

### To connect the water filtering hose to the water line

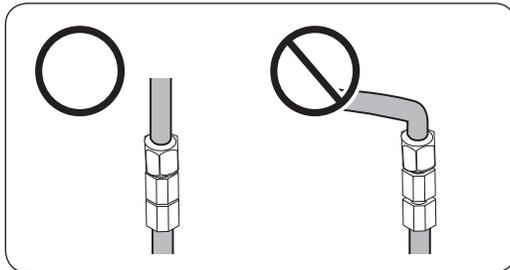


- A. Water Line from unit  
B. Water Line from Kit

1. Loosen and remove the **compression nut (a)** from the water line of the refrigerator, and insert it to the water filtering hose.
2. Tighten up the **compression nut (a)** to connect the water filtering hose and the water line.
3. Open the main water valve and check for any leaks.
4. If there are no leaks, dispense about a 3 liters of water before actually using the refrigerator to remove impurities inside the water filtering system.

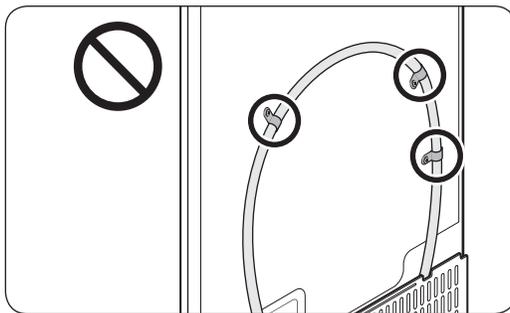
#### **NOTE**

If you have to relocate the refrigerator after connecting the **water line**, make sure the joined section of the water line must be straight.



#### **CAUTION**

Do not mount the water filter on any part of the refrigerator. This may damage the refrigerator.



### To repair the water line

#### **CAUTION**

The waterline must be repaired by a qualified professional. If you encounter a water leak, contact a local Samsung service centre or the installer of the waterline.

# Installation

---

## STEP 7 Initial settings

---

By completing the following steps, the refrigerator should be fully functioning.

1. Plug the power cord into the wall socket to turn the refrigerator on.
2. Open the door, and check if the interior light lights up.
3. Set the temperature to the coldest, and wait for about an hour. Then, the freezer will be slightly chilled, and the motor will run smoothly.
4. Wait until the refrigerator reaches the set temperature. Now the refrigerator is ready for use.

## STEP 8 Final check

---

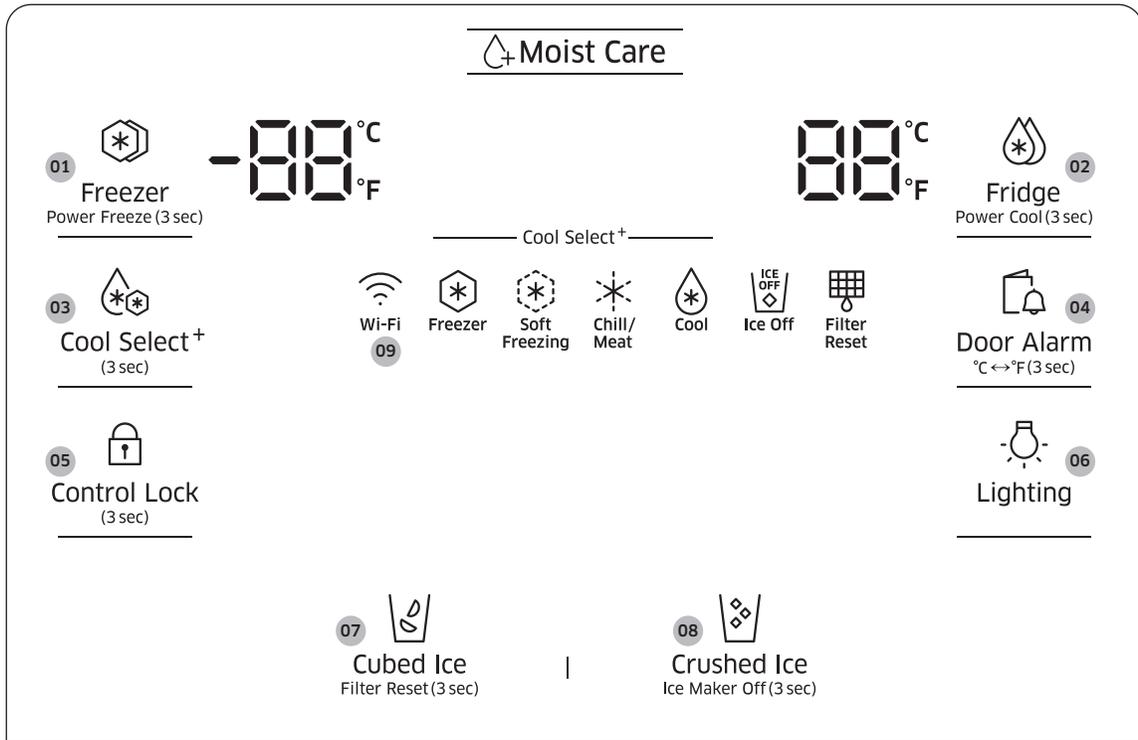
When installation is complete, confirm that:

- The refrigerator is plugged into an electrical outlet and grounded properly.
- The refrigerator is installed on a flat, level surface with a reasonable clearance from the wall or the cabinet.
- The refrigerator is level and is sitting firmly on the floor.
- The door opens and closes freely, and the interior light turns on automatically when you open the door.

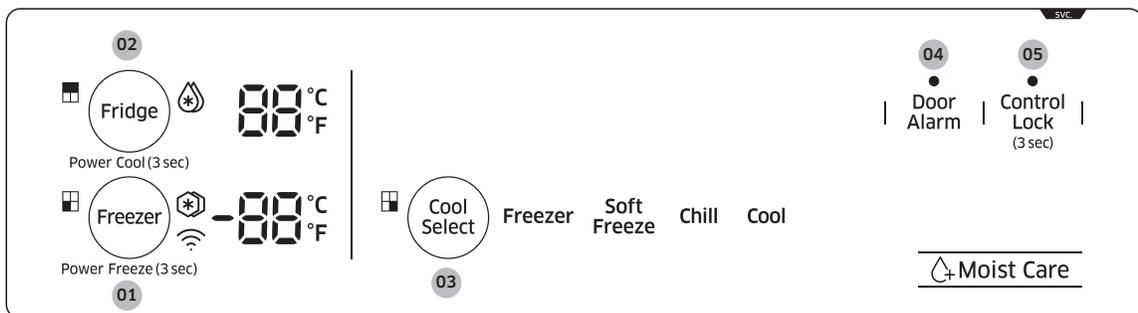
# Operations

## Feature panel

### Type A



### Type B



# Operations

**01** Freezer / Power Freeze

**03** Cool Select+ / Cool Select

**05** Control Lock

**07** Cubed Ice / Filter Reset

**09** Network connection

**02** Fridge / Power Cool

**04** Door Alarm / °C ↔ °F

**06** Lighting

**08** Crushed Ice / Ice Maker Off

## 01 Freezer / Power Freeze (3 sec)

Freezer	The <b>Freezer</b> button can be used to set the freezer temperature, or to activate Power Freeze. Available temperatures are between -15 °C and -23 °C.
Power Freeze	<p>Power Freeze speeds up the freezing process at maximum fan speed. The freezer keeps running at full speed for several hours and then returns to the previous temperature.</p> <ul style="list-style-type: none"> <li>To activate Power Freeze, press and hold <b>Freezer</b> for 3 seconds. The corresponding indicator (⊗) lights up, and the refrigerator speeds up the cooling process for you.</li> <li>To deactivate, press and hold <b>Freezer</b> for 3 seconds again. The freezer returns to the previous temperature setting.</li> <li>To freeze large amounts of food, activate Power Freeze for at least 20 hours before putting food in the freezer.</li> </ul> <p><b>NOTE</b> Using Power Freeze increases power consumption. Make sure you turn it off to return to the previous temperature if you do not intend to use it.</p>

---

## 02 Fridge / Power Cool (3 sec)

Fridge	The <b>Fridge</b> button can be used to set the fridge temperature, or to activate/deactivate Power Cool. You can manually adjust the cooling temperature for the fridge. The temperature indicator informs you of the currently set or selected temperature. Keep pressing <b>Fridge</b> to select a desired temperature between 1 °C and 7 °C.
Power Cool	Power Cool speeds up the cooling process at maximum fan speed. This is useful to quickly cool food that spoils quickly, or after the door is left open for some time. The fridge keeps running at full speed for several hours and then returns to the previous temperature. Press and hold <b>Fridge</b> for 3 seconds.

### NOTE

When you change the temperature on the panel, the panel displays the actual temperature inside the refrigerator until the temperature matches the temperature you set. Then, the panel displays the new set temperature. Note that it will take time for the refrigerator to reach the new temperature. This is normal. During this time, you need not set the temperature again.

# Operations

## 03 Cool Select+ / Cool Select

With the Cool Select function, you can arrange food items in the Cool Select Room in an organized manner, which is located on the bottom right of the refrigerator. Press **Cool Select**, or press and hold **Cool Select+** for 3 seconds, and then press to cycle through the modes. When a desired mode is selected, release the button. There are 4 modes available as below:

Freezer	Select <b>Freezer</b> to set the Cool Select Room to the same temperature as the freezer. This is useful to keep frozen food fresh.
Soft Freezing or Soft Freeze	Select <b>Soft Freezing</b> or <b>Soft Freeze</b> to set the Cool Select Room to -5 °C. This is useful to keep meat and fish fresh for an extended time.
Chill/Meat or Chill	Select <b>Chill/Meat</b> or <b>Chill</b> to set the Cool Select Room to -1 °C. This is useful to keep deli like steak, fish, bacon and cheese.
Cool	Select <b>Cool</b> to set the Cool Select Room to 2 °C. This is useful to keep food for general purposes, such as keeping water, juice, soft drinks, and beer.

### CAUTION

- When switching or turning off the function, meat blood or food moisture may come out due to temperature difference.
- Do not store meat or food in the Cool Select Room with the fridge settings. The meat or food may spoil.

### NOTE

If the button does not activate, make sure the button is unlocked. Press and hold **Control Lock** for more than 3 seconds until the lock icon turns off. Then, press **Cool Select**, or press and hold **Cool Select+** for more than 3 seconds to change the mode.

#### 04 Door Alarm / °C ↔ °F (3 sec)

Door Alarm	You can set the alarm for a reminder. If the door is left open for more than 2 minutes, the alarm will sound with the Alarm indicator blinking. You can toggle to enable and disable the alarm by pressing <b>Door Alarm</b> . The alarm is enabled by factory default.
°C ↔ °F (applicable models only)	The <b>Door Alarm</b> button can be used to switch the temperature scale between Celsius and Fahrenheit. To switch the temperature scale, press and hold <b>Door Alarm</b> for 3 seconds to change the current temperature scale.

#### 05 Control Lock (3 sec)

Control Lock	To prevent accidental manipulation, press and hold <b>Control Lock</b> for 3 seconds. All controls will be disabled with the indicator (🔒) on. To deactivate, press and hold again for 3 seconds. The controls will be enabled as normal.
Device authentication	When connecting the refrigerator to Samsung Smart Home App or Samsung smart devices such as Samsung Smart TVs, follow the app's or device's onscreen instructions and press and hold <b>Control Lock</b> for 5 seconds. The temperature panel displays " <b>on</b> " for 5 seconds before proceeding with the authentication procedure. Note that the Control Lock function will be not affected by this authentication.

#### 06 Lighting

Lighting	By default, the dispenser lamp turns on only when the dispenser is used. To keep the dispenser lamp turning on, press <b>Lighting</b> . The lighting indicator also turns on. To turn the lamp off, press <b>Lighting</b> again.
----------	--

# Operations

## 07 Cubed Ice / Filter Reset (3 sec)

Cubed Ice	You can select an ice type. Press <b>Cubed Ice</b> to dispense cubed ice. The corresponding indicator turns on.
Filter Reset	After about 6 months (approximately 1200 L) of using the original water filter, the Filter indicator blinks red to remind you that the filter needs to be replaced. If this happens, replace the filter, and press and hold <b>Cubed Ice</b> for 3 seconds. The filter lifecycle will be reset and the Filter indicator turns off. <b>NOTE</b> <ul style="list-style-type: none"><li>• Some regional areas have relatively large amounts of lime contained in the water. This may reduce the lifecycle of the filter. In these areas, you will have to replace the water filter more often than specified above.</li><li>• If water is not dispensing properly, replace the water filter because this happens when the water filter is clogged.</li></ul>

## 08 Crushed Ice / Ice Maker Off (3 sec)

Crushed Ice	You can select an ice type. Press <b>Crushed Ice</b> to dispense Crushed Ice. The corresponding indicator turns on.
Ice Maker Off	To disable ice making, press and hold for 3 seconds. In this mode, ice making is disabled even if you press <b>Cubed Ice</b> or <b>Crushed Ice</b> .

## 09 Network connection

You can use the optional Smart Home Adapter (sold separately) to control and monitor your refrigerator through the SmartThings app. For more information about SmartThings, see the SmartThings section.

---

## SmartThings

---

### Installation

Visit the Google Play Store, Galaxy Apps, or Apple App Store and search for “SmartThings”. Download and install the SmartThings app provided by Samsung Electronics to your smart device.

#### NOTE

- The SmartThings app is not available for some tablet and iPad and some smartphone.
  - Support that [Android] OS 6.0 or higher. (mimimum 2 GB RAM Size)
  - Support that [iOS] 10.0 or higher/iPhone 6 or higher.
- For improved performance, the SmartThings app is subject to change without notice or discontinued support according to the manufacturer’s policy.
- Recommended encryption systems include WPA/TKIP and WPA2/AES. Any newer or non-standard Wi-Fi authentication protocols are not supported.
- Wireless networks may be affected by the surrounding wireless communication environment.
- If your Internet service provider has registered the MAC address of your PC or modem for identification, your Samsung Smart Refrigerator may fail to connect to the Internet. If this happens, contact your Internet service provider for technical assistance.
- The firewall settings of your network system may prevent your Samsung Smart Refrigerator from accessing the Internet. Contact your Internet service provider for technical assistance. If this symptom continues, contact a local Samsung service center or retailer.
- To configure the wireless access point (AP) settings, see the user manual of the AP (router).
- Samsung Smart Refrigerators support IEEE 802.11 b/g/n (2.4 GHz) protocols. (IEEE 802.11 n is recommended.)
- Unauthorized Wi-Fi wireless routers may fail to connect to applicable Samsung Smart Refrigerators.

### Samsung account

You are required to register with a Samsung account to use the app. If you don’t have a Samsung account, follow the app’s onscreen instructions to create a free Samsung account.

### Getting started

1. Insert the Smart Home Adapter into the corresponding port of your refrigerator.
2. Run the SmartThings app and log in with your Samsung account. iPhone users are required to provide the login information each time they access the app.
3. Access **Add Device** and then tap **Refrigerator**.

# Operations

4. Follow the onscreen instructions to provide the necessary information about the router, and then tap **Next**.
5. Press and hold **Fridge** for more than 5 seconds until the "AP" message appears on the display. Your refrigerator will be registered with the app.
6. When device registration is complete, the refrigerator icon will appear on the SmartThings app.
7. Tap the refrigerator icon to open the refrigerator page.
8. When a network connection is established, the Wi-Fi icon lights up on your refrigerator.

## Refrigerator app

### Integrated control

You can monitor and control your refrigerator at home as well as while on the move.

- Tap the refrigerator icon on the SmartThings to open the refrigerator page.
- Check the operation status or notifications for your refrigerator, and change options or settings if necessary.

### **NOTE**

Some options or settings of the refrigerator may not be available for remote control.

### Refrigerator settings

Fridge	<ul style="list-style-type: none"><li>• Displays the currently set fridge temperature.</li><li>• You can turn on or off Power Cool, and check the current settings.</li></ul>
Freezer	<ul style="list-style-type: none"><li>• Displays the currently set freezer temperature.</li><li>• You can turn on or off Power Freeze, and check the current settings.</li></ul>
Cool Select+ (FlexZone)	<ul style="list-style-type: none"><li>• Displays the current mode setting.</li></ul>
Ice Maker	<ul style="list-style-type: none"><li>• You can turn on or off Ice Maker, and check the current settings as well as the ice making status.</li></ul>
Settings	<ul style="list-style-type: none"><li>• On the Settings screen, you can monitor the energy usage status of your refrigerator in a preferred format. Supported formats are daily, weekly, or monthly cumulative energy consumption reports covering a max of the last 180 days.</li></ul>

---

## About Device

- Displays the product information including the current version, tutorial, Self Check, and Help Desk. The user manual is downloadable, and the contact information for customer support is also provided.

### Self Check

By referencing Self Check, you can check the diagnostic results of your refrigerator. If the refrigerator detects an issue to check, it displays detailed information about the issue that can be used for customer service.

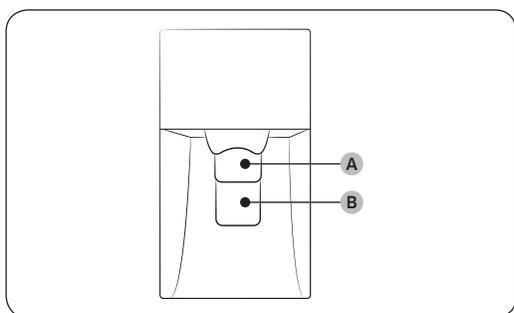
# Operations

## Special features

The refrigerator has features convenient for you.

### Water dispenser (applicable models only)

With the water dispenser, you can dispense water without opening the fridge door.



The water dispenser offers 3 options: chilled water, cubed ice, and crushed ice. If you do not want to dispense ice, simply press **water lever (B)**.

With the Ice Maker enabled,

1. Press to select an ice type.
2. Put a water glass on the **ice lever (A)** and push it. Ice is dispensed from the dispenser.
3. Then, put the glass on the **water lever (B)** and push it. Water is dispensed from the dispenser.

### NOTE

- To get ice and water, push the **ice lever (A)** first for ice, then move your glass down and press the **water lever (B)** for water.
- If you push both levers at once, only the first pushed lever operates.
- To prevent spills, wait 1 second before removing the glass after dispensing.
- Make sure the glass is in line with the dispenser to prevent the dispensed water from spilling out.
- If you do not use the water dispenser for 2-3 days, the dispensed water may have an abnormal smell or taste. This is not a system failure. Discard the first 1-2 glasses of water.

## Auto ice maker (Ice Master) (applicable models only)

The refrigerator has a built-in ice maker that automatically dispenses ice so that you can enjoy filtered water with cubed or crushed ice to your preference.

### Ice making

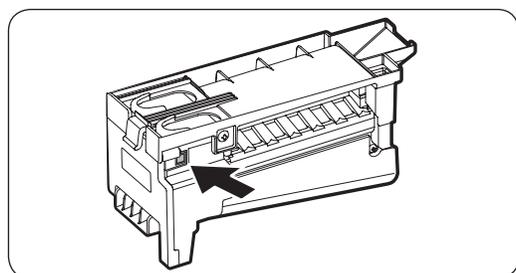
To ensure proper ice making and keep the ice bucket available with ice after using the refrigerator for the first time, follow these instructions:

1. Let the refrigerator operate for at least 24 hours to ensure optimal performance.
2. Dispense the first 4 to 6 ice cubes into a glass.
3. Wait another 8 hours and dispense another 4 to 6 ice cubes.
4. Then, wait another 16 hours and dispense the first glass-full of ice.

### NOTE

- If you consume all the ice at once, you must wait 8 hours before dispensing the first 4 to 6 cubes. This ensures that the ice bucket is filled with ice properly.
- The ice cubes generated rapidly may look white, which is normal.

### Diagnosis



If ice does not dispense, first check the ice maker.

To check the ice maker

1. Press **Test** on the side of the ice maker. You will hear a chime (ding-dong) at the press of the button.
2. You will hear another chime if the ice maker operates properly.

### CAUTION

- If the ice making chime rings repeatedly, contact the waterline installer or a local Samsung service center.
- Do not press the button repeatedly after the ice tray is filled with ice or water. Water may overflow or ice may jam.
- Do not put food in the ice bucket. The frozen food may damage the ice maker, especially when opening or closing the door.
- When the refrigerator recovers power supply after a power failure, the ice bucket may contain a mix of melted and jammed ice cubes, resulting in a system failure. To prevent this, make sure to empty the ice bucket before using the refrigerator.
- Do not put fingers or other objects into the dispenser hole or the ice maker. This may cause physical injury or property damage.

# Operations

---

- When reinserting the ice maker tray, make sure that the tray is properly centered at the entrance. Otherwise, the tray may be stuck.

## Ice Maker Off

If you press Ice Maker to turn the ice maker off, make sure to remove all ice cubes from the ice bucket. Remaining ice cubes may clump together, making it difficult to remove them.

To remove the ice bucket, see the **Ice bucket (applicable models only)** section on page 60.

## NOTE

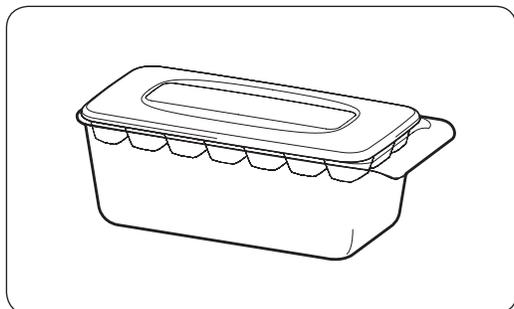
Removal of the ice bucket does not affect the thermal and mechanical performance of the refrigerator.

## Water clouding

Water supplied to the refrigerator flows through a core alkaline filter of any kind. During this filtering process, the water that has flowed through the filter increases in the water pressure and becomes saturated with oxygen and nitrogen. This causes the water to look misty or cloudy temporarily when dispensed. This is normal and the water will look clear after a few seconds.

---

## Ice cube tray (applicable models only)



1. Remove the cover from the ice cube tray.
2. Fill the tray with water up to the maximum level marked on the inner rear of the tray.
3. Close the ice tray cover. To remove the ice, hold both ends of the ice tray and gently twist it.

 **NOTE**

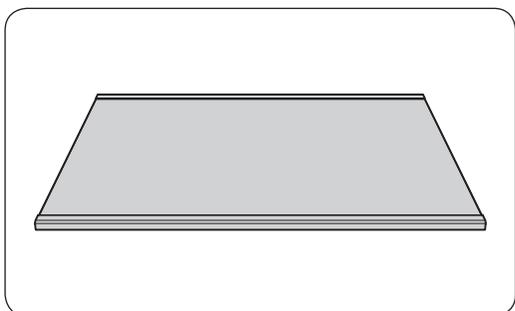
The ice making time depends on your temperature settings.

 **CAUTION**

- Use only potable water.
- Do not use the ice storage box specifically for making ice. The box may break.
- Make sure the ice storage box is in place under the ice cube tray.
- The ice storage box has a drain hole at the bottom.
  - Do not store ice in the box in ambient temperatures. The ice melts and runs out.
  - In case of a power failure, the ice melts into water and runs out. After the power recovery, the water may freeze back and cause the box to break. To prevent damage to the box, remove and empty the box after the power failure.

# Operations

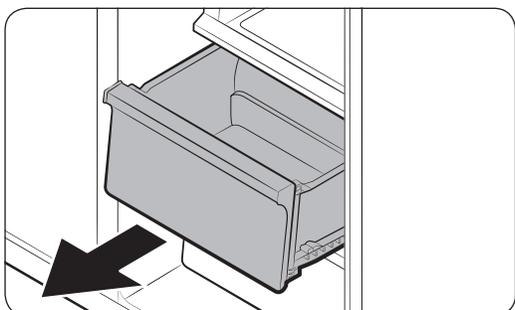
## Freezer shelf (ASSY SHELF FRE) (applicable models only)



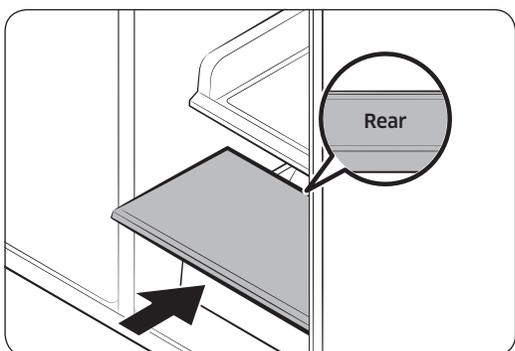
To secure more room in the **freezer** or the **CoolSelect+** compartment, remove the **middle drawer** of the **freezer** or the **CoolSelect+** compartment, and then insert the **freezer shelf** between the middle and bottom drawers.

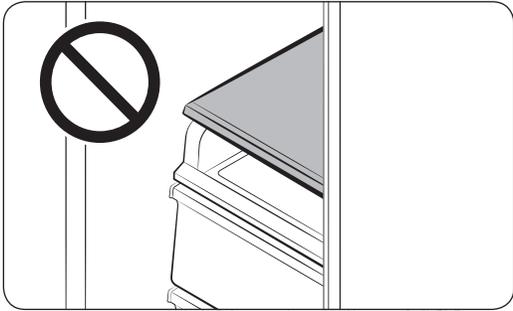
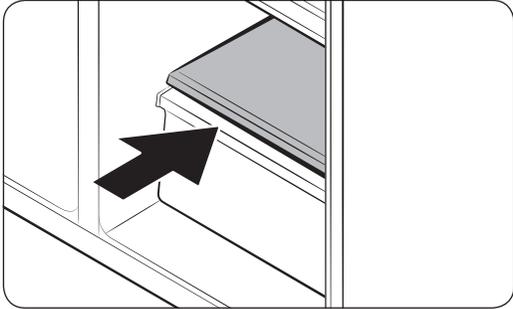
- The freezer shelf does not affect the thermal or mechanical performance of the refrigerator.
- Remove the protective film on the freezer shelf before use.

1. Slide open and remove the **middle drawer**.



2. Insert the **freezer shelf** in the position of the **middle drawer**. Make sure the **REAR** mark faces upward, which is located at the rear of the shelf.





**⚠ CAUTION**

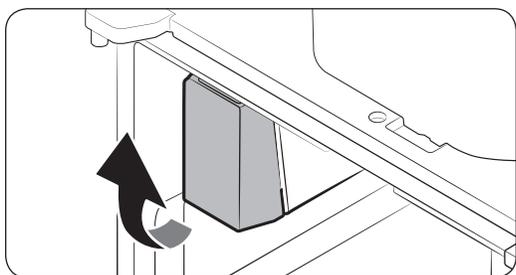
- The freezer shelf (ASSY SHELF FRE) is specifically designed to replace the **middle drawer** for additional storage room. Do not put the freezer shelf over on the **Sliding Shelf**.
- Make sure to insert the freezer shelf in the correct direction. Otherwise, it may be damaged.
- Keep the removed middle drawer in a safe place for future use.

# Maintenance

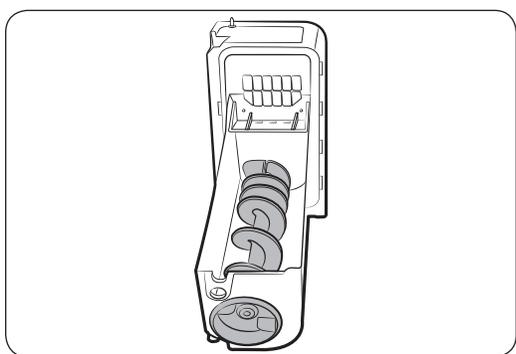
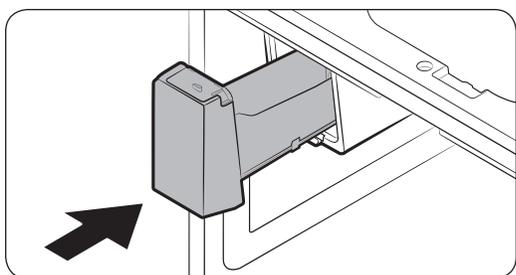
## Handle and care

### Ice bucket (applicable models only)

If you do not dispense ice for an extended period, ice may form clumps inside the bucket. If this happens, remove and empty the ice bucket.



1. To remove the ice bucket, gently lift it up and pull out slowly while holding the bottom of the bucket with one hand and the side with the other hand.
2. Lift up and pull the bucket out. Empty the bucket.
3. When done, put the bucket back into position.



If the ice bucket is not firmly inserted, turn the ice screw by 90 degrees and try again.

### CAUTION

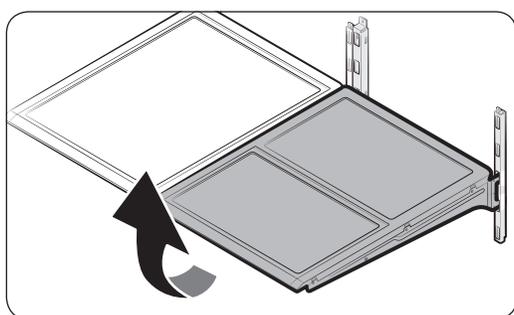
- Do not apply excessive force to the bucket cover. The cover may break.
- Do not forcefully close the door. Water may spill over the ice maker.
- To prevent injury, make sure to clean up any ice or water that has fallen on the floor.
- To prevent accidents or injury, do not let children play with the water dispenser or the ice maker.
- Do not put your hand or an object into the ice chute. This may cause physical injury or product damage.

- Use only the provided ice bucket. Third-party ice buckets may cause a system failure.
- Use only potable water that is connected to the water supply line.

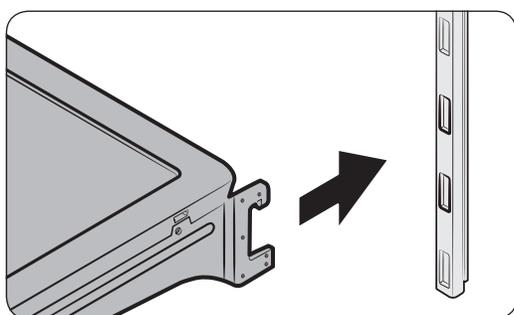
**NOTE**

- The required water pressure for ice making is between 30 to 125 psi (206 to 861 kPa).
- Any sound from the ice maker is normal, which outputs during the ice making process.
- While the door is open, neither the ice maker nor the water dispenser operates.

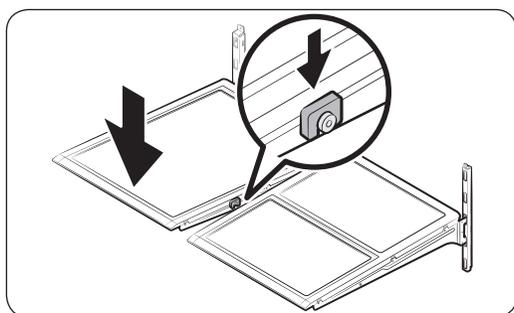
**Tempered glass shelves (fridge)**



- To remove a shelf, fully open the corresponding door. Hold the front of the shelf, and then gently lift up and slide out.



- To reinsert, lower the rear side of the shelf and insert into the shelf hooks. Then, lower the front side to slide in to the end.

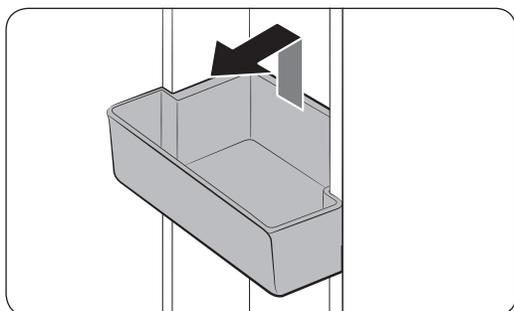


**CAUTION**

- The tempered glass shelves are heavy. Use caution when removing them.
- The shelf must be inserted correctly. Do not insert upside down.
- Glass containers may scratch the surface of glass shelves.

# Maintenance

## Door bins

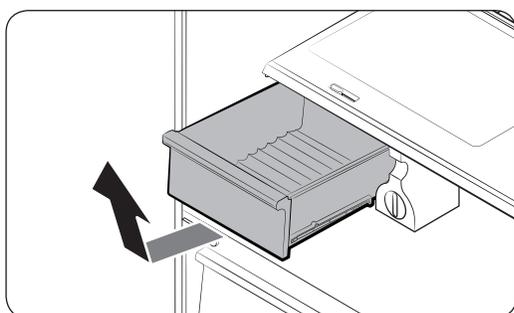


To remove the top door bin, hold the front sides of the bin, and then gently lift up to remove.

To reinsert, insert the door bin to the end of the marked line.

Hold the rear of the door bin with both hands, and then press down to fit into the marked line.

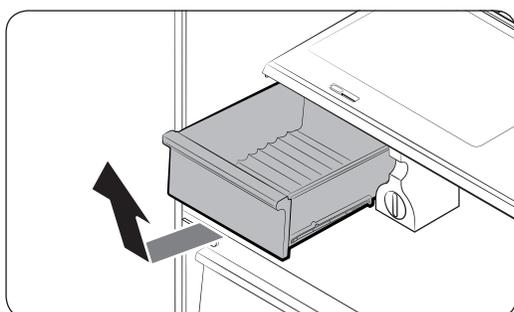
## Vegetable & fruit drawers



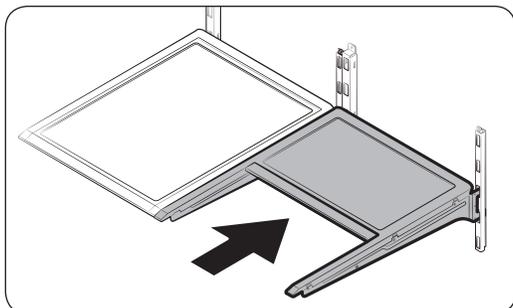
Gently lift up the front of the drawer and slide out.

It is recommended to remove the door bins before removing the drawer. This is to prevent damage to the door bins.

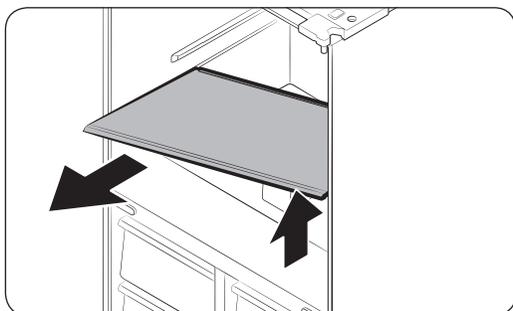
## Vegetable shelf



1. Slide out the left-sided vegetable drawer.



2. Slide in the right-sided foldable shelf.  
(applicable models only)



3. While supporting the vegetable shelf with one hand, slide out with the other hand.

 **NOTE**

Using the space that is revealed after removing the foldable shelf, take out the vegetable shelf.

To reinsert, follow the steps above in the reverse order.

### Ice bucket

To remove the ice bucket, see the Maintenance section on page 60.

# Maintenance

---

## Cleaning

---

### Interior and exterior

#### **WARNING**

- Do not use benzene, thinner, or home/car detergent such as Clorox™ for cleaning purposes. They may damage the surface of the refrigerator and cause a fire.
- Do not spray water onto the refrigerator. This may cause electric shock.
- Do not put fingers or other objects into the dispenser hole.

Regularly use a dry cloth to remove all foreign substances such as dust or water from the power plug terminals and contact points.

1. Unplug the power cord.
2. Use a moistened, soft, lint-free cloth or paper towel to clean the refrigerator's interior and exterior.
3. When done, use a dry cloth or paper towel to dry well.
4. Plug in the power cord.

---

## Replacement

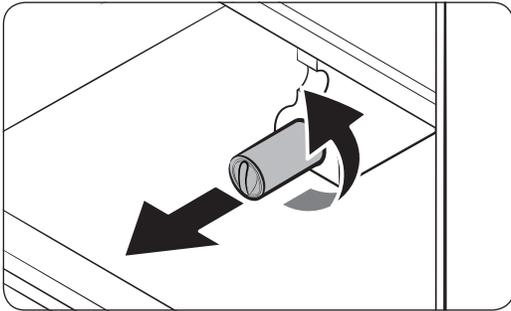
---

### Water filter (applicable models only)

#### **WARNING**

- Do not use third-party water filters. Use only Samsung-provided or -approved filters.
- Unapproved filters may leak and damage the refrigerator, causing electric shock. Samsung holds no responsibility for any damage that may occur from use of third-party water filters.

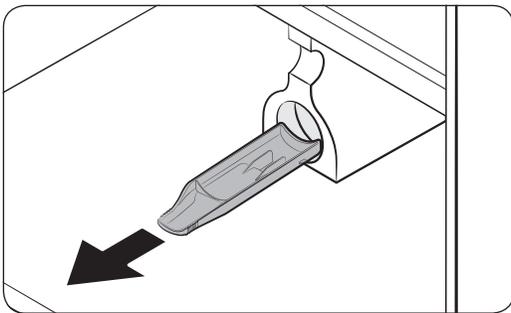
The filter indicator (  ) turns red as a reminder that lets you know it is time to replace the water filter. Before replacing the filter, make sure the water supply line is shut off.



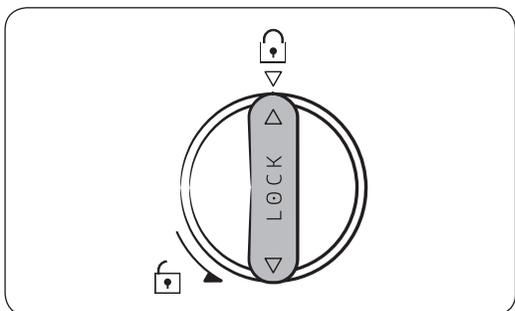
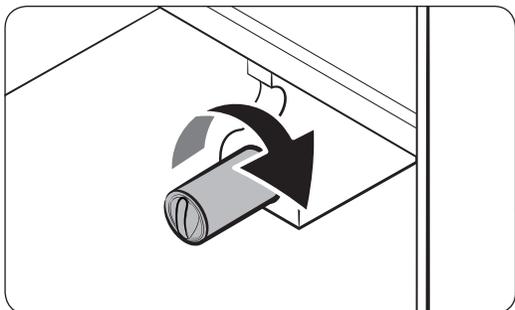
1. Turn the knob of the filter cartridge counter clockwise by 90 degrees (1/4 turn). The filter cartridge unlocks.
2. Pull out to remove the cartridge.
  - If the water filter is contaminated severely, the cartridge may not be easily removable. In that case, pull out by force.
  - To prevent water leaks from the opening, keep the cartridge in line while removing it.

#### **NOTE**

To prevent overflow, empty and dry the water filter tray.



# Maintenance



3. Insert a new filter cartridge. Use only Samsung-provided or -approved filters.
4. Turn the cartridge knob clockwise to lock into place.
5. Press and hold **Cubed Ice** on the feature panel for 3 seconds to reset the filter. The filter indicator (☒) turns off.
6. When replacing is complete, open the water valve and run water through the dispenser for about 7 minutes. This is to remove impurities and air from the water line.

## NOTE

- A newly installed filter may cause the water dispenser to spurt water briefly. This is because of air entering the waterline.
- This replacement process cause the refrigerator to drip water onto the floor. Simply wipe up with dry cloths.

---

### Reverse osmosis water filtration system

The water pressure of the water supply system to a reverse osmosis water filtration system must be between 30 to 125 psi (206 to 861 kPa).

The water pressure of the reverse osmosis water filtration system to the refrigerator's cold water line must be at least 40 psi (276 kPa). If the water pressure is below the specified:

- Check if the sediment filter in the reverse osmosis system is blocked. Replace the filter if necessary.
- Refill the water tank in the reverse osmosis system with water.
- If your refrigerator has a water filter, it may further reduce the water pressure when used in conjunction with a reverse osmosis system. Remove the water filter.

For more information or servicing, contact a licensed plumbing professional.

### Ordering a new filter

To purchase a new water filter, contact a local Samsung service center.

### LED Lamps

To replace the lamps of the refrigerator, contact a local Samsung service centre.

#### **WARNING**

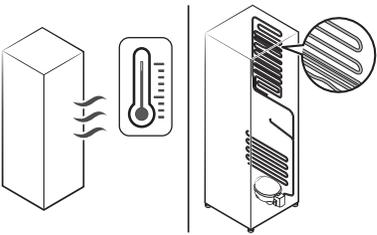
The lamps are not user-serviceable. Do not attempt to replace a lamp yourself. This can cause electric shock.

# Troubleshooting

Before calling for service, review the checkpoints below. Any service calls regarding normal situations (No Defect Cases) will be charged to users.

## General

### Temperature

Symptom	Possible causes	Solution
Fridge/freezer does not operate. Fridge/freezer temperature is warm.	<ul style="list-style-type: none"> <li>Power cord is not plugged in properly.</li> </ul>	<ul style="list-style-type: none"> <li>Properly plug in the power cord.</li> </ul>
	<ul style="list-style-type: none"> <li>Temperature control is not set correctly.</li> </ul>	<ul style="list-style-type: none"> <li>Set the temperature lower.</li> </ul>
	<ul style="list-style-type: none"> <li>Refrigerator is located near a heat source or direct sunlight.</li> </ul>	<ul style="list-style-type: none"> <li>Keep the refrigerator away from direct sunlight or a heat source.</li> </ul>
	<ul style="list-style-type: none"> <li>Not enough clearance between refrigerator and sides/rear.</li> </ul>	<ul style="list-style-type: none"> <li>Make sure there are at least 5 cm from the rear and sides.</li> </ul>
	<ul style="list-style-type: none"> <li>Vacation mode is activated.</li> </ul>	<ul style="list-style-type: none"> <li>Deactivate vacation mode.</li> </ul>
	<ul style="list-style-type: none"> <li>The refrigerator is overloaded. Food is blocking the refrigerator vents.</li> </ul>	<ul style="list-style-type: none"> <li>Do not overload the refrigerator. Do not allow food to block ventilation.</li> </ul>
Fridge/freezer is over-cooling.	<ul style="list-style-type: none"> <li>Temperature control is not set correctly.</li> </ul>	<ul style="list-style-type: none"> <li>Set the temperature higher.</li> </ul>
Interior wall is hot.	<ul style="list-style-type: none"> <li>Refrigerator has heat-proof piping in the interior wall.</li> </ul>	<ul style="list-style-type: none"> <li>To prevent condensation from forming, the refrigerator has heat-proof piping in the front corners. If the ambient temperature rises, this equipment may not work effectively. This is not a system failure.</li> </ul> 

## Odors

Symptom	Possible causes	Solution
Refrigerator has odors.	<ul style="list-style-type: none"><li>• Spoiled food.</li></ul>	<ul style="list-style-type: none"><li>• Clean the refrigerator and remove any spoiled food.</li></ul>
	<ul style="list-style-type: none"><li>• Food with strong odors.</li></ul>	<ul style="list-style-type: none"><li>• Make sure strong smelling food is wrapped airtight.</li></ul>

## Frost

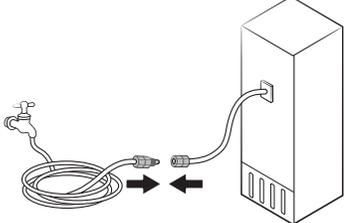
Symptom	Possible causes	Solution
Frost around the vents.	<ul style="list-style-type: none"><li>• Food is blocking the vents.</li></ul>	<ul style="list-style-type: none"><li>• Make sure no food blocks the refrigerator vents.</li></ul>
Frost on interior walls.	<ul style="list-style-type: none"><li>• Door is not closed properly.</li></ul>	<ul style="list-style-type: none"><li>• Make sure food does not block the door. Clean the door gasket.</li></ul>
Fruits or vegetables are frozen.	<ul style="list-style-type: none"><li>• Fruits or vegetables are stored in the Fresh/Chef Zone.</li></ul>	<ul style="list-style-type: none"><li>• The Fresh/Chef Zone is only for meat/fish.</li></ul>

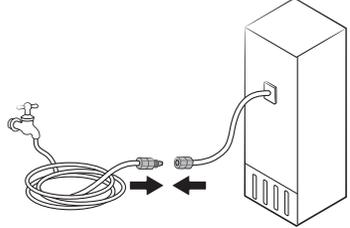
## Condensation

Symptom	Possible causes	Solution
Condensation forms on the interior walls.	<ul style="list-style-type: none"><li>• If door is left open, moisture enters the refrigerator.</li></ul>	<ul style="list-style-type: none"><li>• Remove the moisture and do not open the door for a long time.</li></ul>
	<ul style="list-style-type: none"><li>• Food with high moisture content.</li></ul>	<ul style="list-style-type: none"><li>• Make sure food is wrapped airtight.</li></ul>

# Troubleshooting

## Water/ice (dispenser models only)

Symptom	Possible causes	Solution
Water flow is weaker than normal.	<ul style="list-style-type: none"> <li>Water Pressure is too low.</li> </ul>	<ul style="list-style-type: none"> <li>Make sure the water pressure is between 30 to 125 psi.</li> </ul>
Ice maker makes a buzzing sound.	<ul style="list-style-type: none"> <li>The ice maker function is activated, but the water supply to the refrigerator has not been connected.</li> </ul>	<ul style="list-style-type: none"> <li>Press the <b>Ice Maker off</b> button.</li> </ul>
Ice maker does not make ice.	<ul style="list-style-type: none"> <li>Ice maker has just been installed.</li> </ul>	<ul style="list-style-type: none"> <li>You must wait for 12 hours until the refrigerator makes ice.</li> </ul>
	<ul style="list-style-type: none"> <li>Freezer temperature is too low.</li> </ul>	<ul style="list-style-type: none"> <li>Set the freezer temperature below -18 °C (or -20 °C in warm ambient air).</li> </ul>
	<ul style="list-style-type: none"> <li><b>Control Lock</b> is activated.</li> </ul>	<ul style="list-style-type: none"> <li>Deactivate <b>Control Lock</b>.</li> </ul>
	<ul style="list-style-type: none"> <li>Ice maker is off.</li> </ul>	<ul style="list-style-type: none"> <li>Turn on the ice maker.</li> </ul>
Ice does not dispense.	<ul style="list-style-type: none"> <li>Ice may jam if the ice dispenser is not used for a long time (approx. 3 weeks).</li> </ul>	<ul style="list-style-type: none"> <li>If you won't be using the refrigerator for a long time, empty the ice bucket and turn off the ice maker.</li> </ul>
	<ul style="list-style-type: none"> <li>Ice bucket is not properly inserted.</li> </ul>	<ul style="list-style-type: none"> <li>Make sure the ice bucket is properly inserted.</li> </ul>
	<ul style="list-style-type: none"> <li>Water line is not connected properly or water supply is not on.</li> </ul>	<ul style="list-style-type: none"> <li>Check the water installation conditions.</li> </ul> 

Symptom	Possible causes	Solution
Water does not dispense.	<ul style="list-style-type: none"> <li>Water line is not connected properly or water supply is not on.</li> </ul>	<ul style="list-style-type: none"> <li>Check the water installation conditions.</li> </ul> 
	<ul style="list-style-type: none"> <li><b>Control Lock</b> is activated.</li> </ul>	<ul style="list-style-type: none"> <li>Deactivate <b>Control Lock</b>.</li> </ul>
	<ul style="list-style-type: none"> <li>Do not use third-party water filters.</li> </ul>	<ul style="list-style-type: none"> <li>Use only Samsung-provided or approved filters.</li> <li>Unapproved filters may leak and damage the refrigerator.</li> </ul>
	<ul style="list-style-type: none"> <li>Water filter indicator turns on or blinks.</li> </ul>	<ul style="list-style-type: none"> <li>Replace the water filter. After replacing, reset the filter indicator sensor.</li> </ul>

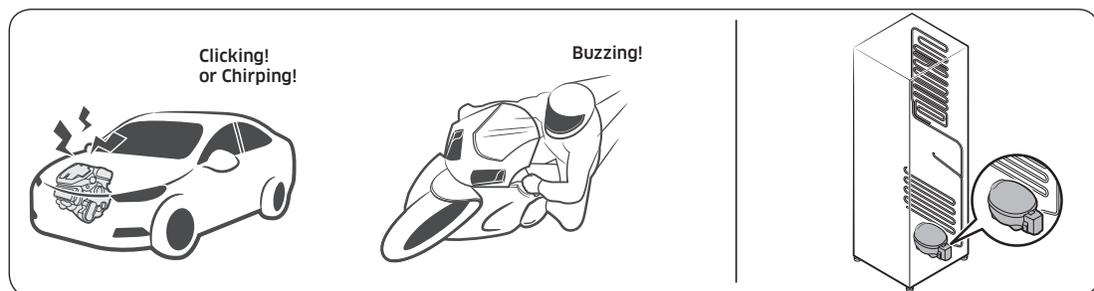
# Troubleshooting

## Do you hear abnormal sounds from the refrigerator?

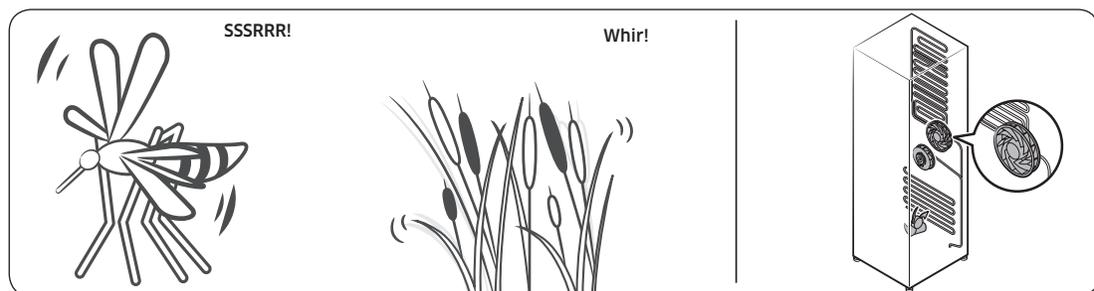
Before calling for service, review the checkpoints below. Any service calls related to normal sounds will be charged to the user.

### These sounds are normal.

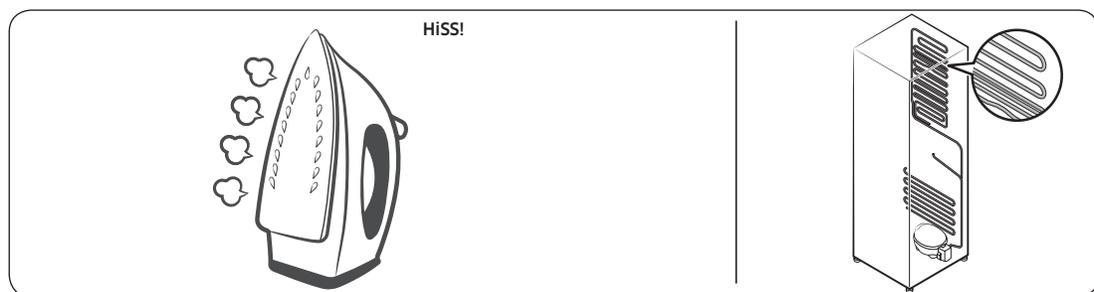
- When starting or ending an operation, the refrigerator may make sounds similar to a car engine igniting. As the operation stabilizes, the sounds will decrease.



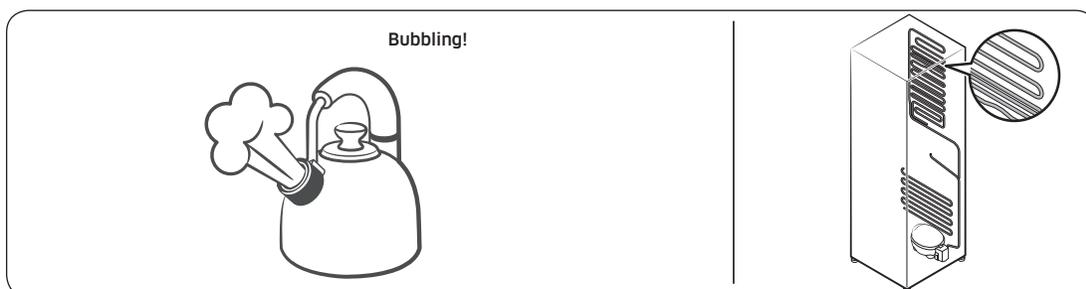
- While the fan is operating, these sounds may occur. When the refrigerator reaches the set temperature, no fan sound will occur.



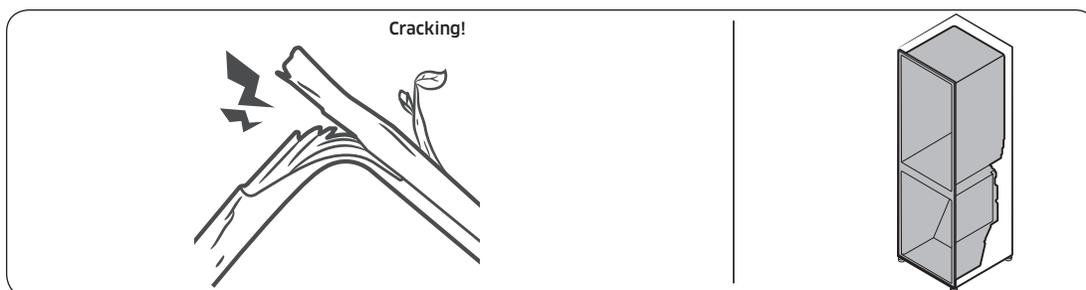
- During a defrost cycle, water may drip on the defrost heater, causing sizzling sounds.



- As the refrigerator cools or freezes, refrigerant gas moves through sealed pipes, causing bubbling sounds.



- As the refrigerator temperature increases or decreases, plastic parts contract and expand, creating knocking noises. These noises occur during the defrosting cycle or when electronic parts are working.



- For ice maker models: When the water valve opens to fill the ice maker, buzzing sounds may occur.
- Due to pressure equalizing when opening and closing the refrigerator door, whooshing sounds may occur.

# Troubleshooting

## SmartThings

Symptom	Action
Could not find "SmartThings" in the app market.	<ul style="list-style-type: none"> <li>The SmartThings app is not available for some tablet and iPad and some smartphone.               <ul style="list-style-type: none"> <li>- support that [Android] OS 6.0 or higher(minimum 2GB RAM Size)</li> <li>- support that [iOS]10.0 or higher/iPhone6 or higher.</li> </ul> </li> </ul>
The SmartThings app fails to operate.	<ul style="list-style-type: none"> <li>The SmartThings app is available for applicable models only.</li> <li>The old Samsung Smart Refrigerator app cannot connect with SmartThings models.</li> </ul>
The SmartThings app is installed but is not connected to my refrigerator.	<ul style="list-style-type: none"> <li>You must log into your Samsung account to use the app.</li> <li>Make sure that your router is operating normally.</li> <li>Make sure that the Smart Home Adapter is inserted properly.</li> <li>If the Wi-Fi icon on the refrigerator's display is off, this indicates that no network connection has been established yet. In this case, use the SmartThings app to connect and register your refrigerator to the access point (AP/Router) in your home.</li> </ul>
Could not log into the app.	<ul style="list-style-type: none"> <li>You must log into your Samsung account to use the app.</li> <li>If you don't have a Samsung account, follow the app's onscreen instructions to create one.</li> </ul>
An information message appears when I try to register my refrigerator.	<ul style="list-style-type: none"> <li>Network connection may fail due to the distance from your access point (AP) or electrical interference from the surrounding environment. Wait a moment and try again.</li> </ul>
The SmartThings app is successfully connected to my refrigerator but does not run.	<ul style="list-style-type: none"> <li>Exit and restart the SmartThings app or disconnect and reconnect the router.</li> <li>Remove the Smart Home Adapter, and reconnect it properly. Then, try again.</li> </ul>

# Memo

---

## Contact SAMSUNG WORLD WIDE

If you have any questions or comments relating to Samsung products, please contact the SAMSUNG customer care center.

Country	Contact Center	Web Site
U.A.E	800-SAMSUNG (800 - 726 7864)	www.samsung.com/ae/support (English) www.samsung.com/ae_ar/support (Arabic)
OMAN	800-SAM CS (800-72627)	
KUWAIT	183-CALL (183-2255)	
BAHRAIN	8000-GSAM (8000-4726)	
QATAR	800-CALL (800-2255)	
EGYPT	08000-7267864 16580	www.samsung.com/eg/support
ALGERIA	3004	www.samsung.com/n_africa/support
PAKISTAN	0800-Samsung (72678)	www.samsung.com/pk/support
TUNISIA	80 100 012	www.samsung.com/n_africa/support
JORDAN	0800-22273 06 5777444	www.samsung.com/levant/support
Lebanon	1299	
Iraq	80010080	
MOROCCO	080 100 22 55	www.samsung.com/n_africa/support
SAUDI ARABIA	(+966) 8002474357 (800 24/7 HELP)	www.samsung.com/sa_en/support (English) www.samsung.com/sa/support (Arabic)



DA68-04023A-00