

Installation Instructions

27" Drop In Ranges

Questions? Call 1.800.GE.CARES (1.800.432.2737) or visit GEAppliances.com

In Canada, call 1.800.561.3344 or visit GEAppliances.ca

BEFORE YOU BEGIN

Read these instructions completely and carefully.

- **IMPORTANT** — Save these instructions for local inspector's use.
- **IMPORTANT** — Observe all governing codes and ordinances.
- **Note to Installer** – Be sure to leave these instructions with Consumer.

- **Note to Consumer** – Keep these instructions for future reference.
- **Skill level** – Installation of this appliance requires a qualified installer or electrician.
- Proper installation is the responsibility of the installer.
- Product failure due to improper installation is not covered under Warranty.

ATTENTION INSTALLER: All electric drop-ins must be hard-wired (direct-wired) into an approved junction box. A plug and receptacle is NOT permitted on these products.

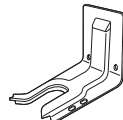
FOR YOUR SAFETY:



⚠ WARNING

Tip-Over Hazard

A child or adult can tip the range and be killed. Verify the anti-tip bracket has been properly installed and engaged. Ensure the anti-tip bracket is re-engaged when the range is moved. Do not operate the range without the anti-tip bracket in place and engaged. Failure to follow these instructions can result in death or serious burns to children or adults.



Anti-Tip Bracket Kit Included

⚠ WARNING

Before beginning the installation, switch power off at service panel and lock the service disconnecting means to prevent power from being switched on accidentally. When the service disconnecting means cannot be locked, securely fasten a prominent warning device, such as a tag, to the service panel.

If you did not receive an anti-tip bracket with your purchase, call 1.800.626.8774 to receive one at no cost. (In Canada, call 1.800.561.3344.) For installation instructions of the bracket, visit: GEAppliances.com. (In Canada, GEAppliances.ca.)

MATERIALS YOU MAY NEED

Junction Box
Wire Nuts
Strain Relief Clamp for 1/2" Conduit

TOOLS YOU MAY NEED

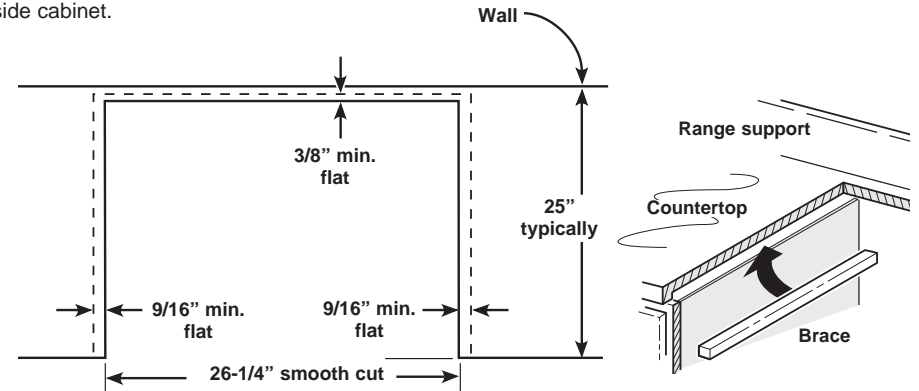
1/8" Drill Bit and Electric or Hand Drill
Phillips Screwdriver
Wire Strippers
Hand or Saber Saw

1 REMOVE PACKAGING MATERIALS

Failure to remove packaging materials could result in damage to the appliance. Remove all packing parts from oven, racks and heating elements. Remove protective film and labels on the outer door and control panel. Also, remove plastic on trims and panel and all tape around the oven. Open oven door and remove literature pack and oven racks. Remove the bottom trim from the side of the oven. It will be installed at the end of the installation process. The trim is wrapped separately in a plastic bag which also contains the five screws to secure the bottom trim and the 4 anti-tip screws used to secure the product to the countertop. The plastic bag is taped to the side of the unit.

2 PREPARING THE OPENING (FOR INDOOR USE ONLY)

See the Illustrations for all rough dimensions. The range may be placed with 0" clearance at the side cabinet.

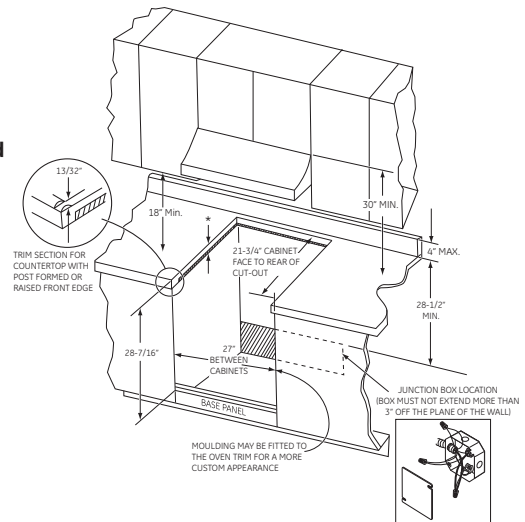


Countertop thickness 1-1/2" min. is required to support the product. Countertop width 1-1/2" min. is required to properly support the 3/4" anti-tip screw.

Braces must be installed between the underside of the countertop and the cabinet if required to obtain 1-1/2" minimum thickness (each side)

Make sure the wall coverings, counters and cabinets around the oven can withstand the heat (up to 200°F [93.3°C]) generated by the oven.

This range is designed to hang from the counter top. It does not rest on the cabinet. The range must not be installed on a floor or sub structure (2" x 4" support)



- Allow 30" minimum clearance between surface units and bottom of unprotected wood or metal cabinet, or allow a 24" minimum when bottom of wood or metal cabinet is protected by no less than 1/4" thick flame retardant millboard covered with not less than No 28 MSG sheet metal, (.015"), .015" thick stainless steel, .024" aluminium or .020" copper.
- This appliance has been approved for 0" spacing to adjacent surfaces above the cooktop. However, a 6" minimum spacing to surfaces less than 15" above the cooktop and adjacent cabinet is recommended to reduce exposure to steam, grease splatter and heat.
- To reduce the risk of burns or fire when reaching over hot surface elements, cabinet storage space above the cooktop should be avoided. If cabinet storage space is to be provided above the cooktop, the risk can be reduced by installing a range hood that projects at least 5" beyond the front of the cabinets. Cabinets installed above the cooktop must be no deeper than 16".

Locate a wiring junction box at the rear of the cutout. The dimension from the top of the wiring junction box to the countertop must be a minimum of 28-1/2". The box must not extend more than 3" off the plane of a wall. The junction box must be located where it will allow considerable slack in the range conduit, so that the range can be pulled for servicing if necessary.

Locate a wiring junction box at the rear of the cutout. The dimension from the top of the wiring junction box to the countertop must be a minimum of 28-1/2". The box must not extend more than 3" off the plane of a wall. The junction box must be located where it will allow considerable slack in the range conduit, so that the range can be pulled for servicing if necessary.

3 ELECTRICAL REQUIREMENTS

▲ WARNING Electric Shock Hazard

- This appliance must be properly grounded.
 - Do not use an extension cord.
 - Before installing range, switch power off at the service panel and lock the service disconnecting means to prevent power from being switched on accidentally. When the disconnection means cannot be locked, securely fasten a prominent warning device, such as a tag, to the service panel.
- Failure to follow these instructions may result in serious injury or death.

▲ WARNING Fire Hazard

Improper connection of aluminum house wiring to copper leads can result in an electrical or fire hazard. If residence leads are aluminum, use only connectors designed for joining copper to aluminum and follow the manufacturer's recommended procedure closely. Failure to do so may result in serious injury or death.

We recommend you have the electrical wiring and hookup of your appliance connected by a qualified electrician. After installation, have the electrician show you how to disconnect power from the appliance.

You must use a single-phase, 120/208 VAC or 120/240 VAC, 60 Hertz electrical system.

Effective January 1, 1996, the National Electrical Code requires that new construction (not existing) utilize a four-conductor connection to an electric oven. When installing an electric oven in new construction, a mobile home, recreational vehicle or an area where local codes prohibit grounding through the neutral conductor, refer to the section on four-conductor branch circuit connections.

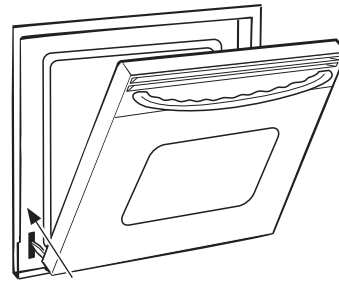
Check with your local utilities for electrical codes which apply in your area. Failure to wire your oven according to governing codes could result in a hazardous condition. If there are no local codes, your oven must be wired and fused to meet the National Electrical Code, NFPA No. 70 – latest edition, available from the National Fire Protection Association.

Rating plate is located on oven front frame and is visible when oven door is open.

This appliance must be supplied with the proper voltage and frequency, and connected to an individual, properly grounded, 40 amp (minimum) branch circuit protected by a circuit breaker or time-delay fuse.

DO NOT shorten the flexible conduit. The conduit strain relief clamp must be securely attached to the junction box and the flexible conduit must be securely attached to the clamp. If the flexible conduit will not fit within the clamp, do not install the oven until a clamp of the proper size is obtained.

The 3 power leads supplied with this appliance are suitable for connection to heavier gauge household wiring. The insulation of these 3 leads is rated for temperatures much higher than the temperature rating of the household wiring. The current-carrying capacity of the conductor is governed by the wire gauge and the temperature rating of the insulation around the wire.



Rating Plate Location

4 ELECTRICAL REQUIREMENTS

▲ WARNING Electric Shock Hazard

- This appliance must be properly grounded.
 - Do not use an extension cord.
 - Before installing range, switch power off at the service panel and lock the service disconnecting means to prevent power from being switched on accidentally. When the disconnection means cannot be locked, securely fasten a prominent warning device, such as a tag, to the service panel.
- Failure to follow these instructions may result in serious injury or death.

▲ WARNING Fire Hazard

Improper connection of aluminum house wiring to copper leads can result in an electrical or fire hazard. If residence leads are aluminum, use only connectors designed for joining copper to aluminum and follow the manufacturer's recommended procedure closely. Failure to do so may result in serious injury or death. We recommend you have the electrical wiring and hookup of your range connected by a qualified electrician. After installation, have the electrician show you how to disconnect power from the range.

We recommend you have the electrical wiring and hookup of the appliance connected by a qualified electrician. After installation, have the electrician show you how to disconnect power from the appliance.

You must use a single-phase, 120/208 VAC or 120/240 VAC, 60 Hertz electrical system.

Effective January 1, 1996, the National Electrical Code requires that new construction (not existing) utilize a four-conductor connection to an electric oven. When installing an electric oven in new construction, a mobile home, recreational vehicle or area where local codes prohibit grounding through the neutral conductor, refer to the section on four-conductor branch circuit connections.

Check with your local utilities for electrical codes which apply in your area. Failure to wire your oven according to governing code could result in a hazardous condition. If there are no local codes, your oven must be wired and fused to meet the National Electrical Code, NFPA No. 70-latest edition, available from the National Fire Protection Association.

Rating plate is located on oven front frame and is visible when oven door is open.

This appliance must be supplied with the proper voltage and frequency, and connected to an individual, properly grounded, 40 amp (minimum) branch circuit protected by a circuit breaker or time-delay fuse.

DO NOT shorten the flexible conduit. The conduit strain relief clamp must be securely attached to the junction box and the flexible conduit must be securely attached to the clamp. If the flexible conduit will not fit within the clamp, do not install the oven until a clamp of the proper size is obtained.

The 3 power leads supplied with this appliance are suitable for connection to heavier gauge household wiring. The insulation of these 3 leads is rated for temperatures much higher than the temperature rating of the household wiring. The current-carrying capacity of the conductor is governed by the wire gauge and the temperature rating of the insulation around the wire.

4 ELECTRICAL REQUIREMENTS (Cont.)

MAKE ELECTRICAL CONNECTIONS

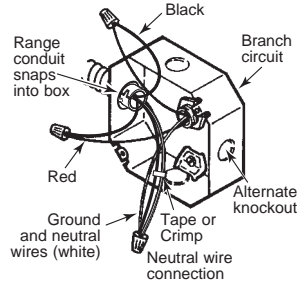
Place the unit on a platform or table even with the cutout opening. The platform must support 200 lbs. (91 kg). Connect the flexible conduit to the electrical junction box as follows:

THREE-CONDUCTOR BRANCH CIRCUIT CONNECTION

NOTE: If residence leads are aluminum conductors, see WARNING in section 4A, Electrical Requirements.

When connecting to a three-conductor branch circuit, if local codes permit:

1. Connect the oven ground conductor along with the neutral (white) lead to the branch circuit neutral (white or gray in color), using a wire nut.
2. Connect the oven red lead to the branch circuit red lead, and the oven black lead to the branch circuit black lead in accordance with local codes, using wire nuts.
3. Install proper strain relief clamp.
4. Install junction box cover.

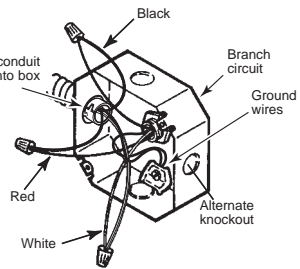


FOUR-CONDUCTOR BRANCH CIRCUIT CONNECTION

NOTE: If residence leads or ground are aluminum conductors, see WARNING in section 4, Electrical Requirements.

When connecting to a four-conductor branch circuit, if local codes permit:

1. Free the neutral (white) lead from being restrained to any other wires. If necessary, cut the neutral (white) lead and then re-strip it to expose the proper length of conductor.
2. Attach the appliance grounding lead (green or bare copper) in accordance with local codes.
3. Connect the oven neutral (white) lead to the branch circuit neutral (white or gray) in accordance with local codes, using a wire nut.
4. Connect the oven red lead to the branch circuit red lead and the oven black lead to the branch circuit black lead in accordance with local codes, using wire nuts.
5. Install proper strain relief clamp.
6. Install junction box cover.



5 CHECK FOR PROPER INSTALLATION OF ANTI-TIP SCREWS

- Raise lift-up cooktop and support it with cooktop support rod so anti tip screws are visible. (see Section 7)
- Lower the oven door and gently apply a medium force to the inside of the door at the handle end.
- Properly installed screws will prevent any movement of the range when force is applied to the door. If movement occurs, refer to "Mounting the range in the opening" section.

6 WHEN INSTALLING RANGE IN COUNTERTOP WHICH IS CUT OUT TO THE WALL

If you have an existing 27" wide cutout that goes all the way to the wall, you may want to buy a backsplash kit for your range. Order Kit JX27RWH (White) or Kit JX27RBK (Black). This kit will fill in the space between the back of the range and the wall.

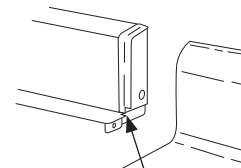
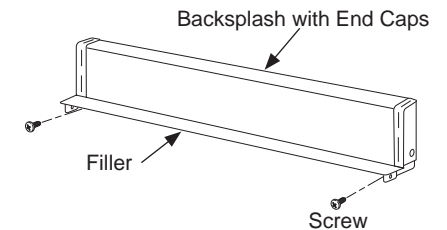
BACKSPLASH KIT FOR 27" DROP-IN RANGES

This kit contains:

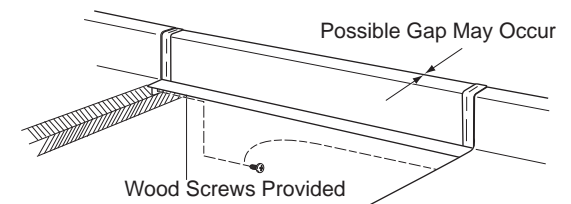
- 1 Backsplash
- 2 Screws
- 1 Maintop Filler
- 2 Wood Screws

NOTE: The backsplash attaches to the counter. The range slides into position after the backsplash is in place.

Follow the instructions packed with the backsplash kit.



Trim for any interference with postformed backsplash on countertop.



7 MOUNTING THE RANGE IN THE OPENING

⚠ WARNING

Tip-Over Hazard

A child or adult can tip the range and be killed.

Install the anti-tip device (screws or bracket) per instruction below.

Re-engage the anti-tip bracket if the range is moved.

Failure to follow these instructions can result in death or serious burns to children or adults.

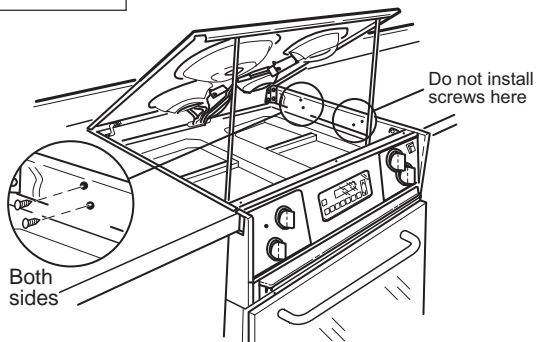


NOTE: If the countertop is less than 1-1/2" thick, refer to "Preparing the opening" section.

Install Anti-Tip Screws

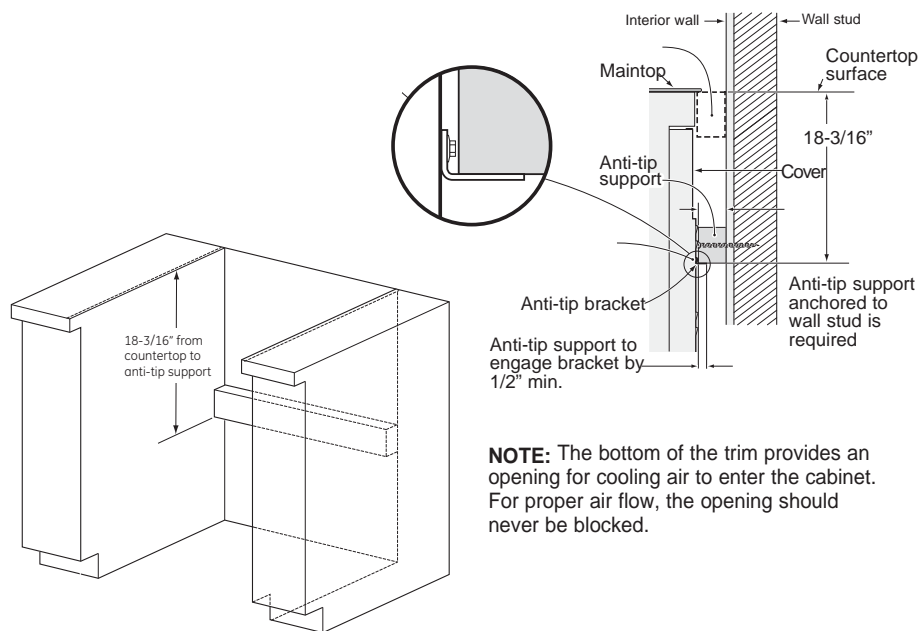
- Raise lift-up cooktop and support it with cooktop support rod.
- Drill 1/8" diameter pilot holes into the countertop using holes in upper side panels. Attach range to the countertop with four silver screws provided in the hardware bag taped to the side of the unit.

NOTE: Screws are (8 - 18 x .75").



If countertop screws cannot be used, an anti-tip support must be mounted to rear wall of the cutout. The anti-tip bracket support is typically a 2x4 piece of wood screwed directly into the wall studs. The anti-tip bracket support must be able to withstand 200 lbs. of force at the engagement point.

ANTI-TIP INSTALLATION WHEN COUNTERTOP SCREWS CANNOT BE USED



NOTE: The bottom of the trim provides an opening for cooling air to enter the cabinet. For proper air flow, the opening should never be blocked.

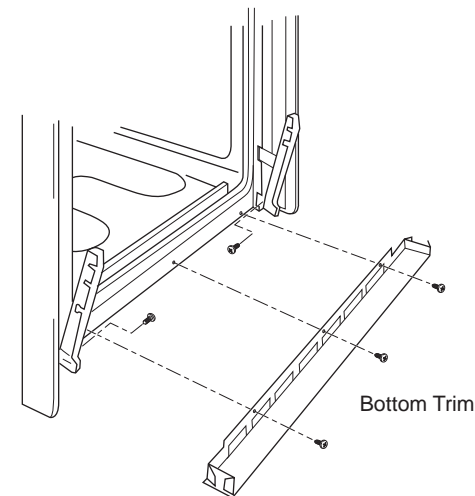
7 MOUNTING THE RANGE IN THE OPENING (CONT.)

Bottom Trim Installation

- Attach the bottom trim to the front frame and side trim with color matched screws provided in the hardware bag attached to the side of the unit.

Replace the Oven Door

- Hold the door over the hinges with the slots at the bottom edge of the door lined up with the hinges. The hinge arms must still be in the broil stop position.
- Slide the door down onto the hinges as far as it will go and close the door



8 FINAL INSTALLATION CHECKLIST

- Check to make sure the circuit breaker is closed (RESET) or the circuit fuses are replaced.
- Be sure power is in service to the building.
- Check that all packing material and tape have been removed. Failure to remove these materials could result in damage to the appliance once the appliance has been turned on and surfaces have heated.
- Remove all items from inside the oven.
- Confirm that anti-tip device has been properly installed (see Section 7).
- Check that the bottom trim is installed properly (see Section 7).

OPERATION CHECKLIST

- Turn on one of the surface units to observe that the element glows within 60 seconds. Turn the unit off when glow is detected. If the glow is not detected within the time limit, recheck the range wiring connections. If change is required, retest again. If no change is required, have building wiring checked for proper connections and voltage.
- Check that the Clock display is energized. If a series of horizontal red lines appear in the display, disconnect power immediately. Recheck the range wiring connections. If change is made to connections, retest again. If no change is required, have building wiring checked for proper connections and voltage. It is recommended that the clock be changed if the red lines appear.
- Turn on the power to your oven (refer to Owner's manual). Verify that the bake and broil operate properly.
- See your owner's manual for trouble shooting list.
- Be sure all of the oven controls are OFF before leaving the oven.

Instrucciones de instalación

Cocinas encastrables de 27"

¿Preguntas? Llame al 1.800.GE.CARES (1.800.432.2737) o visite GEAppliances.com

En Canadá, llame al 1.800.561.3344 o visite GEAppliances.ca.

ANTES DE COMENZAR

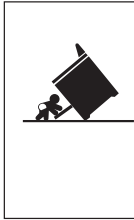
Lea estas instrucciones por completo y con detenimiento.

- **IMPORTANTE** — Guarde estas instrucciones para el uso de inspectores locales.
- **IMPORTANTE** — Cumpla con todos los códigos y ordenanzas vigentes.
- **Nota al instalador** — Asegúrese de dejar estas instrucciones con el consumidor.

- **Nota al consumidor** — estas instrucciones para referencia futura.
- **Nivel de destreza** — La instalación de este aparato requiere el trabajo de un instalador o electricista calificados.
- El instalador tiene la responsabilidad de efectuar una instalación adecuada.
- La garantía no cubre las fallas del producto provocadas por una instalación incorrecta.

ATENCIÓN INSTALADOR: Todas las cocinas encastrables eléctricas deben contar con cableado de conexión permanente (cableado directo) dentro de una caja de conexiones aprobada. En estos productos NO se permite la conexión del tipo "enchufe y receptáculo".

PARA SU SEGURIDAD:



⚠ ADVERTENCIA

Riesgo de Volcaduras

Un niño o adulto pueden volcar la cocina y morir. Verifique que el soporte anti-volcaduras se haya instalado y ajustado correctamente.

Asegúrese de que el soporte anti volcaduras sea reinstalado cuando se mueva la cocina.

No utilice la cocina sin que el soporte anti-volcaduras esté colocado y ajustado.

Si estas instrucciones no se siguen, como resultado se podrá producir la muerte o quemaduras graves de niños y adultos.



Kit de soporte anti-volcaduras incluido

⚠ ADVERTENCIA

Antes de comenzar la instalación, apague el encendido en el panel de servicio y bloquee el medio de desconexión del servicio a fin de evitar que el encendido se active de forma accidental. Cuando el medio de desconexión del servicio no se pueda bloquear, ajuste de manera segura un ítem de advertencia que esté bien visible, tal como una etiqueta, sobre el panel de servicio.

Si no recibió un soporte anti volcaduras con su compra, llame al 1.800.626.8774 para recibir uno sin costo. (En Canadá, llame al 1.800.561.3344). Para recibir instrucciones de instalación del soporte, visite: GEAppliances.com (En Canadá, GEAppliances.ca).

MATERIALES QUE PUEDE NECESITAR

- Caja de conexiones
- Tapones de alambre
- Abrazadera de alivio de tensión para conducto de 1/2"

HERRAMIENTAS NECESARIAS

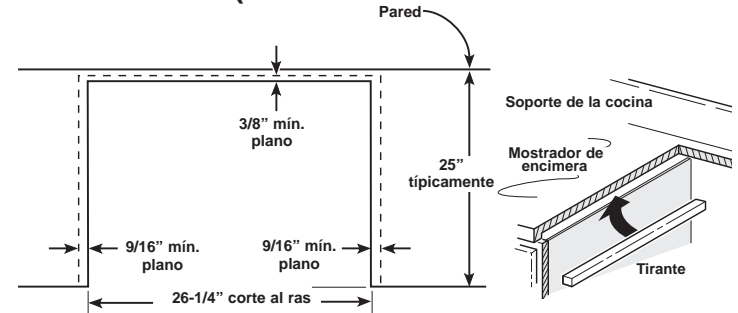
- Broca de perforadora de 1/8" y perforadora eléctrica o de mano
- Destornillador de estrella
- Alicates pelacables
- Sierra de mano o sierra sable

1 QUITE LOS MATERIALES DE EMPAQUE

No quitar los materiales de empaque puede provocar daños al electrodoméstico. Quite todas las partes de empaque del horno, bandejas y elementos de calentamiento. Quite la película protectora y las etiquetas de la puerta exterior y panel de control. Además, quite el plástico de los rebordes y panel y toda la cinta colocada alrededor del horno. Abra la puerta del horno y quite el material informativo y las bandejas del horno. Quite el reborde inferior de la parte lateral del horno. Se colocará al final del proceso de instalación. El reborde se encuentra envuelto por separado en una bolsa plástica que también contiene los cinco tornillos necesarios para fijar el reborde inferior y los 4 tornillos anti-volcaduras utilizados para fijar el producto al mostrador de encimera. La bolsa plástica se encuentra adherida al costado de la unidad.

2 PREPARE LA ABERTURA (SÓLO PARA USO EN EL INTERIOR)

Ver las ilustraciones para todas las dimensiones empotradas. La cocina puede instalarse con un espacio de 0" sobre el gabinete lateral.



Se requiere que el mostrador tenga un grosor de 1-1/2" mín. para poder soportar el producto. Se requiere que el mostrador tenga un ancho de 1-1/2" para poder soportar el tornillo anti-volcaduras de 3/4".

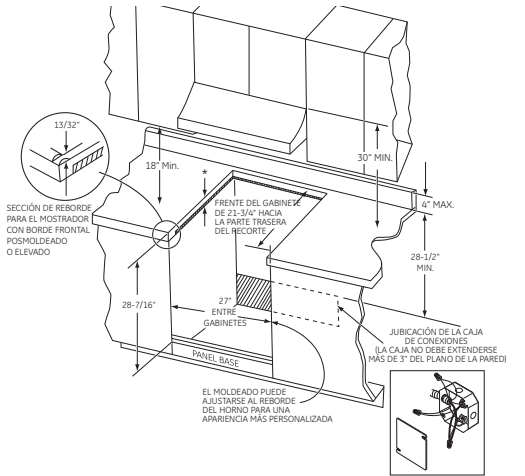
Deben instalarse tirantes entre la parte inferior de la mesada y el gabinete si se debe obtener el grosor mínimo de 1-1/2" (en cada lado).

Verifique que el revestimiento de las paredes, mostradores y gabinetes ubicados alrededor del horno puedan soportar el calor (hasta 200°F [93.3°C]) generado por el horno.

Esta cocina está diseñada para colgar del mostrador. No descansa sobre el gabinete. La cocina no debe instalarse sobre un piso o subestructura (soporte de 2" x 4").

- Deje un espacio mínimo de 30" entre las unidades de superficie y la parte inferior de un gabinete de madera o de metal sin protección, o deje un mínimo de 24" cuando la parte inferior del gabinete de madera o de metal se encuentre protegida por cartón con retardo de llama de un grosor no menor a 1/4" cubierto con una placa de metal no menor a N° 28 MSG (grosor de .015"), acero inoxidable de un grosor de .015", aluminio de .024" o cobre de .020".
- Este aparato ha sido aprobado para un espacio de 0" respecto de superficies adyacentes sobre la estufa. Sin embargo, se recomienda un espacio mínimo de 6" respecto de superficies menores a 15" sobre la estufa y gabinete adyacente para reducir la exposición al vapor, salpicaduras de grasa y calor.
- Para reducir el riesgo de quemaduras o incendios cuando se incline sobre los elementos de superficie calientes, debe evitarse la instalación de espacios de almacenamiento en gabinetes sobre la estufa. Si debe contarse con espacio para almacenamiento en gabinetes sobre la estufa, puede reducirse el riesgo instalando una campana de cocina que sobresalga por lo menos 5" más allá del frente de los gabinetes. Los gabinetes instalados por encima de la estufa no deben tener una profundidad mayor a los 16".

Ubique una caja de conexiones de cableado en la parte trasera del recorte. La dimensión desde la parte superior de la caja de conexiones hasta el mostrador debe ser de un mínimo de 28-1/2". La caja no debe extenderse más de 3" del plano de la pared. La caja de conexiones debe ubicarse en un lugar en donde permita una holgura considerable en el conducto de la cocina, para que ésta pueda moverse a fin de efectuar reparaciones si fuera necesario.



3 REQUISITOS ELÉCTRICOS

⚠ ADVERTENCIA Riesgo de descarga eléctrica

- Este aparato debe contar con una adecuada conexión a tierra.
 - No utilice un cable de extensión.
 - Antes de comenzar la instalación, desconecte la energía del panel de servicio y bloquee los medios de desconexión para evitar el accionamiento de la energía de manera accidental. Cuando los medios de desconexión de servicio no pueden bloquearse, coloque sobre el panel de servicio un dispositivo de advertencia bien visible, como una etiqueta.
- No seguir estas instrucciones puede provocar una lesión grave o la muerte.

⚠ ADVERTENCIA Riesgo de incendio

Una conexión inadecuada de cableado doméstico de aluminio con cables de cobre puede generar un peligro eléctrico o un incendio. Si los cables domésticos son de aluminio, sólo use conectores diseñados para unir cobre con aluminio y siga al pie de la letra el procedimiento recomendado del fabricante. No hacerlo puede provocar una lesión grave o la muerte.

Recomendamos que un electricista calificado conecte el cableado eléctrico de su aparato. Después de la instalación, solicite al electricista que le indique cómo desconectar la energía del aparato.

Usted debe usar un sistema eléctrico de fase única de 120/208 VAC o 120/240 VAC de 60 hercios.

Vigente desde el 1 de enero de 1996, el Código Eléctrico Nacional requiere que las nuevas construcciones (no existentes) utilicen una conexión de cuatro conductores a un horno eléctrico. Cuando instale un horno eléctrico en una construcción nueva, una casa rodante, un vehículo recreativo o un área donde los códigos locales prohíben la conexión a tierra a través de un conductor neutral, consulte la sección sobre conexiones en circuito derivado de cuatro conductores.

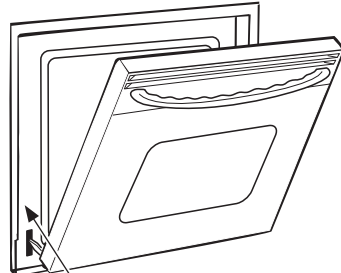
Consulte a las empresas de servicio público sobre los códigos eléctricos que se aplican en su área. No realizar el cableado de su horno de acuerdo con los códigos vigentes puede provocar una situación peligrosa. Si no existen códigos locales, el cableado y fusibles de su horno deben cumplir con el Código Eléctrico Nacional, NFPA N° 70, última edición, disponible en National Fire Protection Association (Asociación Nacional de Protección contra Incendios).

La placa de clasificación se encuentra en el armazón frontal del horno y es visible cuando se abre la puerta del horno.

Este electrodoméstico debe recibir el voltaje y frecuencia adecuados, y debe conectarse a un circuito derivado individual con adecuada conexión a tierra de 40 amperios (mínimo) protegido por un interruptor de circuitos o fusible con retraso.

NO acorte el conducto flexible. La abrazadera del alivio de tensión del conducto debe estar bien sujeta a la caja de conexiones y el conducto flexible debe estar bien sujeto a la abrazadera. Si el conducto flexible no entra dentro de la abrazadera, no instale el horno hasta obtener una abrazadera del tamaño adecuado.

Los 3 cables de energía suministrados con este aparato son adecuados para conexiones con cableados domésticos de calibre mayores. La aislación de estos 3 cables está clasificada a temperaturas mucho más elevadas que la clasificación del cableado doméstico. La capacidad de transmitir corriente del conductor está determinada por el calibre del cable y la clasificación de temperatura de la aislación alrededor del cable.



Ubicación de la placa de clasificación

4 REQUERIMIENTOS ELÉCTRICOS

⚠ ADVERTENCIA Riesgo de descarga eléctrica

- Este aparato debe contar con una adecuada conexión a tierra.
- No utilice un cable de extensión.
- Antes de comenzar la instalación, desconecte la energía del panel de servicio y bloquee los medios de desconexión para evitar el accionamiento de la energía de manera accidental. Cuando los medios de desconexión de servicio no pueden bloquearse, coloque sobre el panel de servicio un dispositivo de advertencia bien visible, como una etiqueta.

No seguir estas instrucciones puede provocar una lesión grave o la muerte.

⚠ ADVERTENCIA Riesgo de incendio

Una conexión inadecuada de cableado doméstico de aluminio con cables de cobre puede generar un peligro eléctrico o un incendio. Si los cables domésticos son de aluminio, sólo use conectores diseñados para unir cobre con aluminio y siga al pie de la letra el procedimiento recomendado del fabricante. No hacerlo puede provocar una lesión grave o la muerte.

Recomendamos que un electricista calificado conecte el cableado eléctrico de su aparato. Después de la instalación, solicite al electricista que le indique cómo desconectar la energía del aparato.

Usted debe usar un sistema eléctrico de fase única de 120/208 VAC o 120/240 VAC de 60 hercios.

Vigente desde el 1 de enero de 1996, el Código Eléctrico Nacional requiere que las nuevas construcciones (no existentes) utilicen una conexión de cuatro conductores a un horno eléctrico. Cuando instale un horno eléctrico en una construcción nueva, una casa rodante, un vehículo recreativo o un área donde los códigos locales prohíben la conexión a tierra a través de un conductor neutral, consulte la sección sobre conexiones en circuito derivado de cuatro conductores.

Consulte a las empresas de servicio público sobre los códigos eléctricos que se aplican en su área. No realizar el cableado de su horno de acuerdo con los códigos vigentes puede provocar una situación peligrosa. Si no existen códigos locales, el cableado y fusibles de su horno deben cumplir con el Código Eléctrico Nacional,

NFPA N° 70, última edición, disponible en National Fire Protection Association (Asociación Nacional de Protección contra Incendios).

La placa de clasificación se encuentra en el armazón frontal del horno y es visible cuando se abre la puerta del horno.

Este electrodoméstico debe recibir el voltaje y frecuencia adecuados, y debe conectarse a un circuito derivado individual con adecuada conexión a tierra de 40 amperios (mínimo) protegido por un interruptor de circuitos o fusible con retraso.

NO acorte el conducto flexible. La abrazadera del alivio de tensión del conducto debe estar bien sujeta a la caja de conexiones y el conducto flexible debe estar bien sujeto a la abrazadera. Si el conducto flexible no entra dentro de la abrazadera, no instale el horno hasta obtener una abrazadera del tamaño adecuado.

Los 3 cables de energía suministrados con este aparato son adecuados para conexiones con cableados domésticos de calibre mayores. La aislación de estos 3 cables está clasificada a temperaturas mucho más elevadas que la clasificación del cableado doméstico. La capacidad de transmitir corriente del conductor está determinada por el calibre del cable y la clasificación de temperatura de la aislación alrededor del cable.

4 REQUERIMIENTOS ELÉCTRICOS (Cont.)

REALICE LAS CONEXIONES ELÉCTRICAS

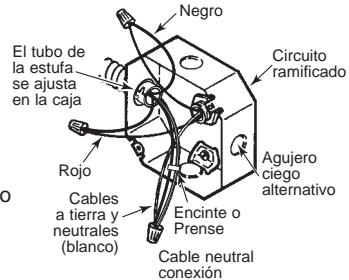
Coloque el horno sobre una mesa o plataforma en forma nivelada con la abertura. La plataforma debe poder soportar 200 lbs. (91 kg). Conecte el conducto flexible a la caja de conexiones eléctrica como se indica abajo.

CONEXIÓN DE CIRCUITO DERIVADO DE TRES CONDUCTORES

NOTA: Si los cables del hogar poseen conductores de aluminio, ver la ADVERTENCIA de la sección 4a, Requisitos eléctricos.

Cuando conecte un circuito derivado de cuatro conductores, si lo permiten los códigos locales:

1. Conecte el conductor de conexión a tierra junto con el cable neutro (blanco) al neutro del circuito de empalmes (de color blanco o gris), usando una tuerca para cables.
2. Conecte el cable rojo del horno al cable rojo del circuito derivado y el cable negro del horno al cable negro del circuito derivado de acuerdo con los códigos locales, utilizando tapones de alambre.
3. Instale una abrazadera adecuada de alivio de tensión.
4. Instale la tapa de la caja de conexiones.

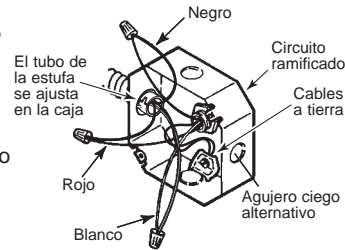


CONEXIÓN DE CIRCUITO DERIVADO DE CUATRO CONDUCTORES

NOTA: Si los cables domésticos o de conexión a tierra son conductores de aluminio, ver la ADVERTENCIA de la sección 4a, Requisitos eléctricos.

Cuando conecte un circuito derivado de cuatro conductores, si lo permiten los códigos locales:

1. Evite que el conductor neutro (blanco) quede enredado con cualquier otro cable. De ser necesario, corte el conductor neutro (blanco) y luego vuelva a pelar el mismo, a fin de exponer la longitud adecuada del conductor.
2. Conecte el cable a tierra del aparato (verde o cobre) de acuerdo con los códigos locales.
3. Conecte el cable neutro (blanco) del horno con el neutro de circuito derivado (blanco o gris) de acuerdo con códigos locales, utilizando un tapón de alambre.
4. Conecte el cable rojo del horno al cable rojo del circuito derivado y el cable negro del horno al cable negro del circuito derivado de acuerdo con los códigos locales, utilizando tapones de alambre.
5. Instale una abrazadera adecuada de alivio de tensión.
6. Instale la tapa de la caja de conexiones.



5 VERIFIQUE LA CORRECTA INSTALACIÓN DE LOS TORNILLOS ANTI-VOLCADURAS

- Levante la estufa elevable y sosténgala con la varilla de soporte de la estufa para que se vean los tornillos anti-volcaduras. (Ver sección 7).
- Baje la puerta del horno y suavemente ejerza una fuerza media sobre la parte interna de la puerta en el extremo de la manija.
- Si los tornillos están bien instalados, la cocina no sufrirá ningún movimiento cuando se ejerza fuerza sobre la puerta. Si hay movimiento, consulte la sección "Montaje de la cocina en la abertura".

6 CUANDO INSTALE LA COCINA EN UN MOSTRADOR QUE TIENE UN RECORTE EN LA PARED

Si usted cuenta con un recorte existente de un ancho de 27" que se extiende hasta la pared, quizás le convenga comprar un kit de salpicadero para su cocina. Solicite el kit JX27RWH (blanco) o el kit JX27RBK (negro). Este kit rellena el espacio entre la parte trasera de la cocina y la pared.

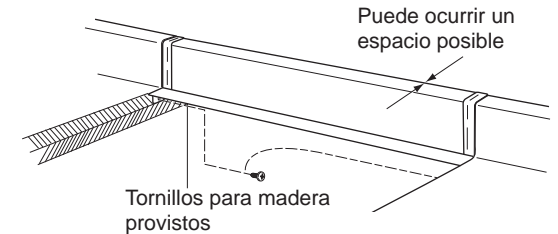
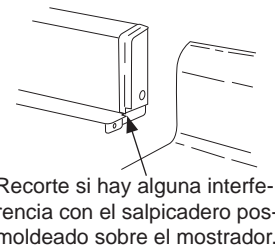
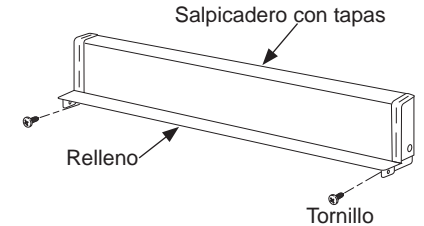
KIT DE SALPICADERO PARA COCINAS ENCASTRABLES DE 27"

Este kit contiene:

- 1 salpicadero
- 2 tornillos
- 1 relleno superior
- 2 tornillos para madera

NOTA: El salpicadero se sujeta al mostrador. La cocina se desliza en su posición después de colocar el salpicadero en su lugar.

Siga las instrucciones enviadas con el kit de salpicadero.



7 COLOQUE LA COCINA EN LA ABERTURA



⚠ ADVERTENCIA

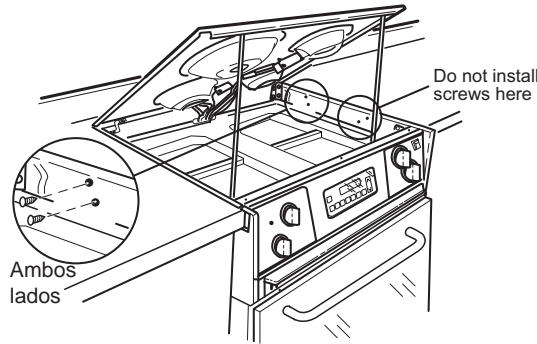
Riesgo de Volcaduras

Un niño o adulto pueden volcar la cocina y morir. Instale el dispositivo anti-volcaduras (tornillos o soporte) de acuerdo con las siguientes instrucciones. Vuelva a colocar el soporte anti-volcaduras si la estufa se mueve de lugar. Si estas instrucciones no se siguen, como resultado se podrá producir la muerte o quemaduras graves de niños y adultos.

NOTA: Si el mostrador tiene un grosor menor a 1-1/2", consulte la sección "Prepare la abertura".

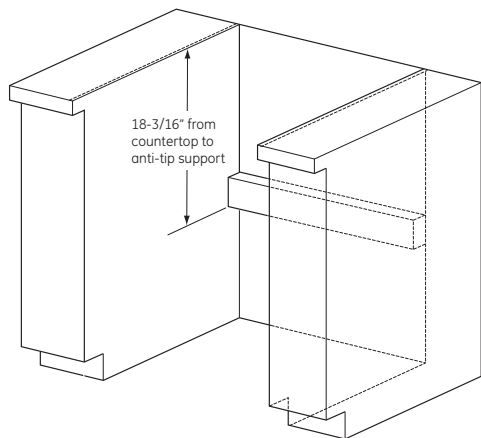
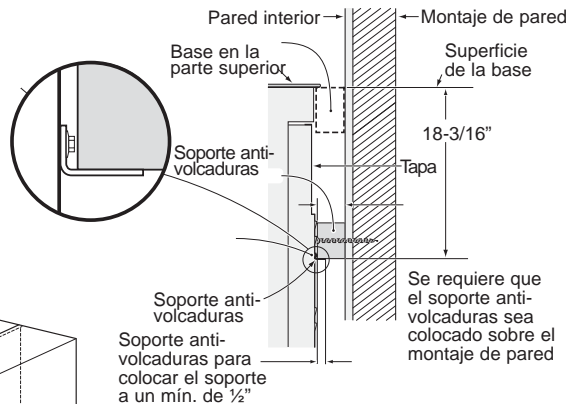
Instale los tornillos anti-volcaduras

- Levante la estufa elevable y sosténgala con la varilla de soporte de la estufa.
 - Perfore orificios piloto de 1/8" de diámetro dentro del mostrador utilizando orificios de los paneles laterales superiores. Sujete la cocina al mostrador con los cuatro tornillos plateados provistos en la bolsa de piezas adherida al costado de la unidad.
- NOTA:** Los tornillos son (8 - 18 x .75").



Si no es posible usar los tornillos de la base, se deberá montar un soporte anti-volcaduras en la pared trasera de la abertura. El soporte anti-volcaduras es típicamente una pieza de madera de 2 x 4 que se atornilla directamente en montajes de pared. El soporte anti-volcaduras deberá poder resistir 200 libras de fuerza en el punto de adhesión.

INSTALACIÓN DEL SOPORTE ANTI-VOLCADURAS CUANDO NO SE PUEDEN USAR LOS TORNILLOS DE LA BASE



7 COLOQUE LA COCINA EN LA ABERTURA (CONT.)

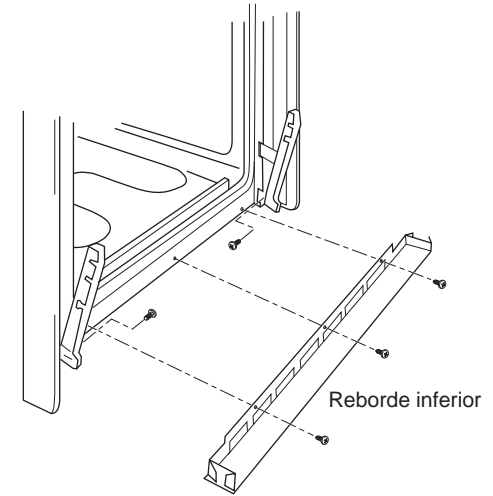
NOTA: La parte inferior del reborde brinda una abertura para que ingrese aire de refrigeración al gabinete. Para un flujo de aire adecuado, nunca debe bloquearse la abertura.

Instalación de reborde inferior

- Sujete el reborde inferior al armazón frontal y reborde lateral con los tornillos de color adecuado de la bolsa de piezas adherida al costado de la unidad.

Vuelva a instalar la puerta del horno

- Sostenga la puerta sobre las bisagras con las ranuras del borde inferior de la puerta alineadas con las bisagras. Los brazos de las bisagras deben encontrarse en la posición de detención/asado.
- Deslice la puerta sobre las bisagras hasta que haga tope y cierre la puerta.



8 LISTA DE CONTROL FINAL DE LA INSTALACIÓN

- Verifique que el interruptor de circuitos se encuentre cerrado (RESET) o que los fusibles del circuito se hayan reemplazado.
- Asegúrese de que haya suministro eléctrico en el edificio.
- Controle que se haya quitado todo el material de empaque y la cinta adhesiva. No quitar estos materiales puede provocar daños al electrodoméstico una vez que el aparato se haya encendido y las superficies se hayan calentado.
- Quite todos los elementos ubicados dentro del horno.
- Confirme que el dispositivo anti-volcaduras haya sido instalado de forma correcta (consulte la Sección 7).
- Verifique que el reborde inferior esté bien instalado (ver sección 7).

LISTA DE CONTROL DE FUNCIONAMIENTO

- Accione una de las unidades de superficie para observar que el elemento se encienda dentro de los 60 segundos. Apague la unidad cuando se detecte el encendido. Si no se detecta el encendido dentro del límite de tiempo, vuelva a verificar las conexiones del cableado de la cocina. Si se requiere un cambio, vuelva a probar el aparato. Si no se requiere un cambio, haga controlar el cableado del edificio para verificar las conexiones y voltaje adecuados.
- Controle que la pantalla del reloj se haya encendido. Si en la pantalla aparece una serie de líneas rojas horizontales, desconecte la energía de inmediato. Vuelva a controlar las conexiones del cableado de la cocina. Si se efectúa un cambio en las conexiones, vuelva a probar el aparato. Si no se requiere un cambio, haga controlar el cableado del edificio para verificar las conexiones y voltaje adecuados. Se recomienda cambiar el reloj si aparecen las líneas rojas.
- Accione la energía del horno (consulte el Manual del propietario). Verifique que el horneado y el asado funcionen correctamente.
- Ver el Manual del propietario para la lista de detección y solución de problemas.
- Asegúrese de que todos los controles del horno se encuentren en OFF (apagado) antes de dejar el horno.