



Top Freezer REFRIGERATORS

SAFETY INFORMATION3

USING THE REFRIGERATOR

Controls5

Shelves and Bins.....6

Crispers and Pans.....7

Automatic Icemaker.....8

CARE AND CLEANING9

Cleaning the Outside.....9

Cleaning the Inside9

Condenser9

Moving the Refrigerator10

Preparing for Vacation10

Preparing to Move10

Replacing the Light Bulb10

INSTALLATION INSTRUCTIONS

Preparing to Install the Refrigerator..... 11

Installing the Water Line.....12

Icemaker Installation16

Reversing the Door Swing17

TROUBLESHOOTING

Normal Operating Sounds22

Troubleshooting Tips.....23

LIMITED WARRANTY25

CONSUMER SUPPORT 26

**OWNER'S MANUAL &
INSTALLATION
INSTRUCTIONS**

GTE21
GIE21

**ENGLISH/FRANÇAIS/
ESPAÑOL**

Write the model and serial numbers here:

Model # _____

Serial # _____

Find these numbers on a label inside the fresh food compartment.

THANK YOU FOR MAKING GE APPLIANCES A PART OF YOUR HOME.

Whether you grew up with GE Appliances, or this is your first, we're happy to have you in the family.

We take pride in the craftsmanship, innovation and design that goes into every GE Appliances product, and we think you will too. Among other things, registration of your appliance ensures that we can deliver important product information and warranty details when you need them.

Register your GE appliance now online. Helpful websites and phone numbers are available in the Consumer Support section of this Owner's Manual. You may also mail in the pre-printed registration card included in the packing material.



IMPORTANT SAFETY INFORMATION

READ ALL INSTRUCTIONS BEFORE USING THE APPLIANCE

▲ WARNING To reduce the risk of fire, explosion, electric shock, or injury when using your refrigerator, follow these basic safety precautions:

- This refrigerator must be properly installed and located in accordance with the Installation Instructions before it is used.
- Unplug the refrigerator before making repairs, replacing a light bulb, or cleaning.
NOTE: Power to the refrigerator cannot be disconnected by any setting on the control panel.
NOTE: Repairs must be performed by a qualified Service Professional.
- Replace all parts and panels before operating.
- Do not store or use gasoline or other flammable vapors and liquids in the vicinity of this or any other appliance.
- Do not store explosive substances such as aerosol cans with a flammable propellant in this appliance.
- Do not use an extension cord.
- To prevent suffocation and entrapment hazards to children, remove the fresh food and freezer doors from any refrigerator before disposing of it or discontinuing its use.
- To avoid serious injury or death, children should not stand on, or play in or with the appliance.
- Children and persons with reduced physical, sensory or mental capabilities or lack of experience and knowledge can use this appliance only if they are supervised or have been given instructions on safe use and understand the hazards involved.
- This appliance is intended to be used in household and similar applications such as: staff kitchen areas in shops, offices and other working environments; farm houses; by clients in hotels, motels, bed & breakfast and other residential environments; catering and similar non-retail applications.

▲ CAUTION To reduce the risk of injury when using your refrigerator, follow these basic safety precautions.

- Do not clean glass shelves or covers with warm water when they are cold. Glass shelves and covers may break if exposed to sudden temperature changes or impact, such as bumping or dropping. Tempered glass is designed to shatter into many small pieces if it breaks.
- Keep fingers out of the “pinch point” areas; clearances between the doors and between the doors and cabinet are necessarily small. Be careful closing doors when children are in the area.
- Do not touch the cold surfaces in the freezer compartment when hands are damp or wet, skin may stick to these extremely cold surfaces.
- Do not refreeze frozen foods which have thawed completely.
- In refrigerators with automatic ice makers, avoid contact with the moving parts of the ejector mechanism, or with the heating element that releases the cubes. Do not place fingers or hands on the automatic ice making mechanism while the refrigerator is plugged in.

▲ WARNING  **FIRE OR EXPLOSION HAZARD Flammable Refrigerant**

This appliance contains isobutane refrigerant, also known as R600a, a natural gas with high environmental compatibility. However, it is also combustible. Adhere to the warnings below to reduce the risk of injury or property damage.

1. When handling, installing and operating the appliance, care should be taken to avoid damage to the refrigerant tubing.
2. Service shall only be performed by authorized service personnel. Use only manufacturer-authorized service parts.
3. Dispose of refrigerator in accordance with the Federal and Local Regulations. The flammable refrigerant and insulation material used in this product require special disposal procedures. Contact your local authorities for the environmentally safe disposal of your refrigerator.
4. Keep ventilation openings in the appliance enclosures or in the built-in structure clear of obstruction.
5. To remove frost, scrape with a plastic or wood spatula or scraper. Do not use an ice pick or a metal or sharp-edged instrument as it may puncture the freezer liner and then the flammable refrigerant tubing behind it.
6. Do not use electrical appliances inside the food storage compartment of the appliance.
7. Do not use any electrical device to defrost your freezer.

READ AND SAVE THESE INSTRUCTIONS

IMPORTANT SAFETY INFORMATION

READ ALL INSTRUCTIONS BEFORE USING THE APPLIANCE

INSTALLATION

⚠ WARNING FIRE OR EXPLOSION HAZARD

Keep flammable materials and vapors away from refrigerator. Failure to do so can result in fire, explosion, or death.

CONNECTING ELECTRICITY

⚠ WARNING ELECTRICAL SHOCK HAZARD

Plug into a grounded 3-prong outlet

Do not remove the ground prong

Do not use an adapter

Do not use an extension cord.

Failure to follow these instructions can result in death, fire, or electrical shock.

Do not, under any circumstances, cut or remove the third (ground) prong from the power cord. For personal safety, this appliance must be properly grounded.

The power cord of this appliance is equipped with a 3-prong (grounding) plug which mates with a standard 3-prong (grounding) wall outlet to minimize the possibility of electric shock hazard from this appliance.

Have the wall outlet and circuit checked by a qualified electrician to make sure the outlet is properly grounded.

Where a standard 2-prong wall outlet is encountered, it is your personal responsibility and obligation to have it replaced with a properly grounded 3-prong wall outlet. Do not use an adapter.

The refrigerator should always be plugged into its own individual electrical outlet which has a voltage rating that matches the rating plate.

A 115 Volt AC, 60 Hz, 15- or 20-amp fused, grounded electrical supply is required. This provides the best performance and also prevents overloading house wiring circuits which could cause a fire hazard from overheated wires.

Never unplug your refrigerator by pulling on the power cord. Always grip plug firmly and pull straight out from the outlet.

Immediately discontinue use of a damaged supply cord. If the supply cord is damaged, it must be replaced by a qualified service professional with an authorized service part from the manufacturer.

When moving the refrigerator away from the wall, be careful not to roll over or damage the power cord.

PROPER DISPOSAL OF YOUR OLD REFRIGERATOR

⚠ WARNING SUFFOCATION AND ENTRAPMENT HAZARD

Failure to follow these disposal instructions can result in death or serious injury

IMPORTANT: Child entrapment and suffocation are not problems of the past. Junked or abandoned refrigerators or freezers are still dangerous even if they will sit for “just a few days.” If you are getting rid of your old refrigerator or freezer, please follow the instructions below to help prevent accidents.

Before You Throw Away Your Old Appliance

- Take off the fresh food and freezer doors.
- Leave the shelves in place so that children may not easily climb inside.

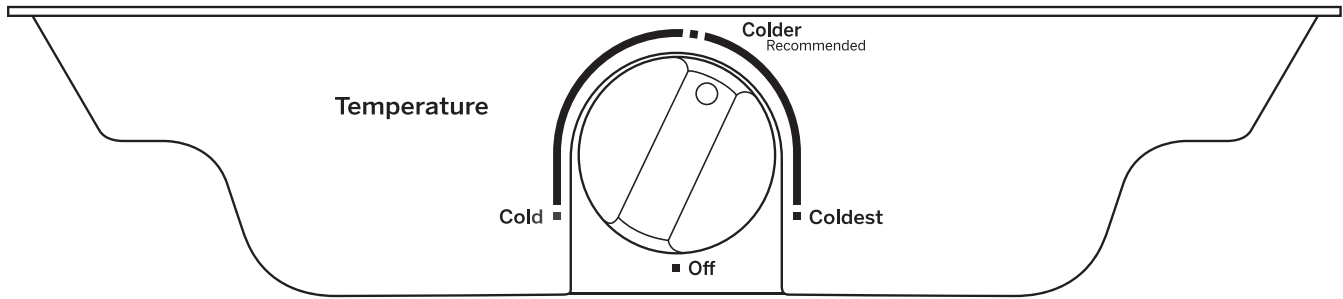
Refrigerant and Foam Disposal:

Dispose of or recycle your appliance in accordance with Federal and Local Regulations. Flammable refrigerant and insulation material used requires special disposal procedures. Contact your local authorities for the environmentally safe disposal or recycling of your refrigerator.

READ AND SAVE THESE INSTRUCTIONS

Controls

The controls on your refrigerator will look like the following:



Control Settings

Initially, set the refrigerator control to the recommended setting. Allow 24 hours for the temperature to stabilize.

Several adjustments may be required. Adjust the refrigerator control one increment at a time and allow 12 hours after each adjustment for the refrigerator to reach the temperature you have set.

Setting the refrigerator control to Off stops cooling in both the freezer and refrigerator compartments but does not shut off electrical power to the refrigerator.

Control settings will vary based on personal preferences, usage and operating conditions, and may require more than one adjustment. Factors that affect temperature include the amount of food in the refrigerator or freezer, the frequency of door opening and the temperature of food when it is placed in the refrigerator.

Shelves and Bins

Not all features are on all models.

Rearranging the Shelves

Shelves in the refrigerator and freezer compartments are adjustable.

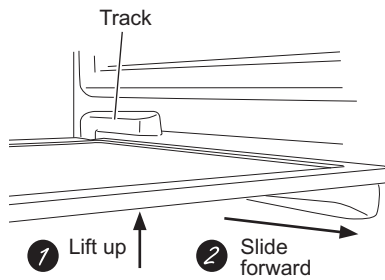
REFRIGERATOR COMPARTMENT

Full Width Shelves

The shelf rests on a molded side-wall support and locks into a track on the rear cabinet wall on each side.

To remove:

1. Lift the shelf up through the space in the track.
2. Slide the shelf forward along the track.
3. Pull the shelf out of the unit.



To replace:

Reverse removal steps above.

⚠ CAUTION

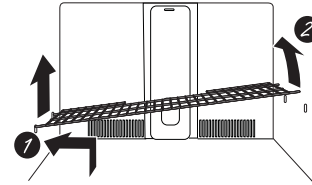
Do not clean glass shelves or covers with warm water when they are cold. Glass shelves and covers may break if exposed to sudden temperature changes or impact such as bumping or dropping. Tempered glass is designed to shatter into many small pieces if it breaks.

Do not wash any plastic refrigerator parts in the dishwasher.

FREEZER COMPARTMENT

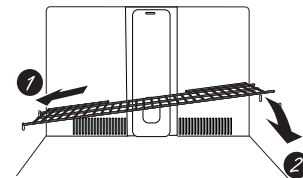
To remove:

1. Lift up both sides of the shelf and slide it left into the center of the shelf supports.
2. Rotate the right side of the shelf up and out of the shelf supports.



To replace:

1. Holding the shelf diagonally, insert the left end of the shelf into the top of the shelf supports on the side wall.
2. Insert the right end of the shelf into the shelf supports on the side wall. Rest each end of the shelf on the bottom of the shelf supports.

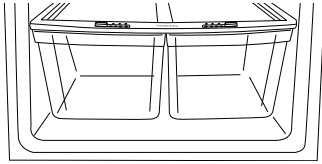


Crispers and Pans

Not all features are on all models.

Fruit and Vegetable Crispers

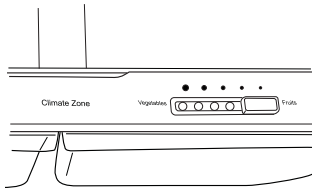
Excess water that may accumulate in the bottom of the drawers or under the drawers should be wiped dry.



Adjustable Humidity Crisper

Slide the control all the way to the Vegetables setting to provide high humidity recommended for most vegetables.

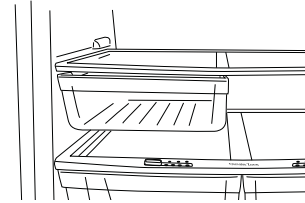
Slide the control all the way to the Fruits setting to provide lower humidity levels recommended for most fruits.



Snack Pan

This pan can be moved to the most useful location for your family's needs.

To remove, slide the pan out to the stop position, lift the pan up and past the stop position, and lift out.



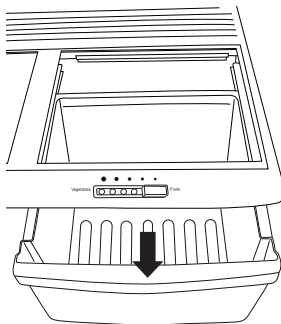
Crisper Removal

Unload the bottom shelf before attempting to remove the storage drawers.

To remove:

Lift the drawers up slightly while pulling them past the stop location.

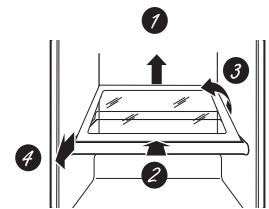
If the door prevents you from taking out the drawers, first try to remove the door bins. If this does not offer enough clearance, the refrigerator will need to be rolled forward until the door opens enough to slide the drawers out. In some cases, when you roll the refrigerator out, you will need to move the refrigerator to the left or right as you roll it out.



To remove the glass cover:

Remove the glass, then the frame. When replacing the glass, push the front edge firmly into the frame.

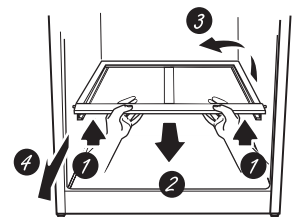
1. Push up the glass cover at the rear.
2. Slide the glass cover backwards until the front edge comes out of the frame.
3. Rotate the side of the glass cover up.
4. Remove the glass cover.



Removing the glass cover

To remove the frame:

1. Lift up the front of the frame using both hands.
2. Slide the frame forward.
3. Rotate the side of the frame up.
4. Remove the frame.



Removing the frame

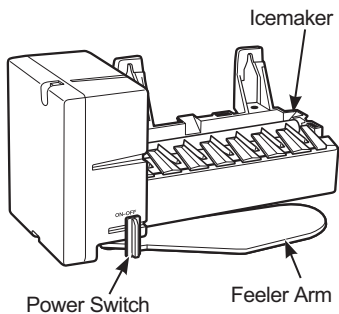
Automatic Icemaker

A newly-installed refrigerator may take 12–24 hours to begin making ice.

Automatic Icemaker (on some models)

⚠ CAUTION

Avoid contact with the moving parts of the ejector mechanism, or with the heating element (located on the bottom of the ice maker) that releases the cubes. Do not place fingers or hands on the automatic ice making mechanism while the refrigerator is plugged in.



The icemaker will produce approximately 3 to 3-1/2 lbs. (1.36 to 1.59 kg) of ice in a 24-hour period, depending on the freezer compartment temperature, room temperature, number of door openings and other use conditions.

If the refrigerator is operated before the water connection is made to the icemaker, move the power switch to OFF.

When the refrigerator has been connected to the water supply, set power switch to ON

The icemaker will fill with water when it cools to 15°F (-9°C). A newly-installed refrigerator may take 12 to 24 hours to begin making ice cubes.

Once the icemaker starts to make ice, it may take up to 48 hours to fill the bin, depending on the temperature settings and number of door openings.

You will hear a buzzing sound each time the icemaker fills with water.

Throw away the first few batches of ice to allow the water line to clear.

Be sure nothing interferes with the sweep of the feeler arm.

When the bin fills to the level of the feeler arm, the icemaker will stop producing ice.

It is normal for several cubes to be joined together.

If ice is not used frequently, old ice cubes will become cloudy, taste stale, shrink or fuse together.

NOTE: In homes with lower-than-average water pressure, you may hear the icemaker cycle multiple times when making one batch of ice.

Icemaker Accessory Kit

If your refrigerator did not already come equipped with an automatic icemaker, an icemaker accessory kit is available at extra cost.

Check the back of the refrigerator for the specific ice maker kit needed for your model.

Care And Cleaning

Cleaning the Outside

The door handles and trim. Clean with a cloth dampened with soapy water. Dry with a soft cloth.

Keep the outside clean. Wipe with a clean cloth lightly dampened with kitchen appliance wax or mild liquid dish detergent. Dry and polish with a clean, soft cloth.

The stainless steel panels and door handles (on some models) can be cleaned with a commercially available stainless steel cleaner. Cleaners with oxalic acid such as Bar Keepers Friend Soft Cleanser will remove rust, tarnish, and small blemishes. Use only a liquid cleanser free of grit and rub in the direction of the brush lines with a damp soft sponge. Do not use appliance wax or polish on the stainless steel.

Do not wipe the refrigerator with a soiled dish cloth or wet towel. These may leave a residue that can erode the paint. Do not use scouring pads, powdered cleaners, bleach or cleaners containing bleach because these products can scratch and weaken the paint finish.

Cleaning the Inside

To help prevent odors, leave an open box of baking soda in the fresh food and freezer compartments.

Unplug the refrigerator before cleaning.

If this is not practical, wring excess moisture out of sponge or cloth when cleaning around switches, lights or controls.

Use warm water and baking soda solution—about a tablespoon (15 ml) of baking soda to a quart (1 liter) of water. This both cleans and neutralizes odors. Rinse and wipe dry.

Do not clean with any products containing detergent, bleach or ammonia. They may damage the refrigerator.

After cleaning the door gaskets, apply a thin layer of petroleum jelly to the door gaskets at the hinge side. This helps keep the gaskets from sticking and bending out of shape. Do not use cleansing powders or other abrasive cleaners.

▲ CAUTION

Do not clean glass shelves or covers with warm water when they are cold. Glass shelves and covers may break if exposed to sudden temperature changes or impact such as bumping or dropping. Tempered glass is designed to shatter into many small pieces if it breaks.

Do not wash any plastic refrigerator parts in the dishwasher.

Condenser

Depending on the model, the condenser is either located near the compressor or behind the back wall. For condensers near the compressor, there is no need for routine condenser cleanings in normal home operating environments. However, in environments that may be particularly dusty or greasy, the condenser should be cleaned periodically for efficient refrigerator operation.

Cleaning the condenser:

Sweep away or vacuum up dust.

▲ WARNING

To reduce the risk of death or electric shock, you must follow these instructions:

- **Unplug the refrigerator before removing any panels.**
- **Do not contact or damage any wiring while the panel is removed.**
- **Replace all parts and panels before plugging the refrigerator back in.**

Care and Cleaning

Moving the Refrigerator

Be careful when moving the refrigerator away from the wall. All types of floor coverings can be damaged, particularly cushioned coverings and those with embossed surfaces.

Turn the leveling legs at each front corner of the refrigerator counterclockwise until the rollers support the refrigerator. Pull the refrigerator straight out and return it to position by pushing it straight in.

Moving the refrigerator in a side direction may result in damage to the floor covering or refrigerator.

⚠ WARNING **ELECTRICAL SHOCK HAZARD**

When pushing the refrigerator back, make sure you don't roll over the power cord or icemaker supply line (on some models).

After rolling the refrigerator back into place, turn the legs clockwise until the legs again bear the weight of the refrigerator.

Preparing for Vacation

For long vacations or absences, remove food and unplug the refrigerator. Move the refrigerator control to the OFF position and clean the interior with a baking soda solution of one tablespoon (15 ml) of baking soda to one quart (1 liter) of water. Leave the doors open.

Set the icemaker power switch to the OFF position and shut off the water supply to the refrigerator.

If the temperature can drop below freezing, have a qualified servicer drain the water supply system (on some models) to prevent serious property damage due to flooding.

Preparing to Move

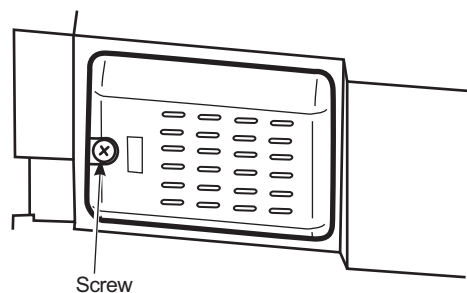
Secure all loose items such as grille, shelves and drawers by taping them securely in place to prevent damage. To prevent the doors from opening while moving, secure them to the case with tape.

Be sure the refrigerator stays in an upright position during moving.

Replacing the Light Bulb

Setting the refrigerator control to OFF does not remove power to the light circuit.

1. Unplug the refrigerator.
2. Remove the top shelf (if necessary).
3. The bulb is located behind a light lens in the ceiling of the refrigerator section. Remove the light lens by removing the single screw using a Phillips head screwdriver.
4. Replace the bulb with an appliance bulb of the same or lower wattage.
5. Replace the light lens.
6. Plug the refrigerator back in.



Installation Instructions

Refrigerator Models GTE21 and GIE21

Questions? Call 800.GE.CARES (800.432.2737) or visit our Website at: GEAppliances.com
 In Canada, call 1.800.561.3344 or visit our Website at: GEAppliances.ca

- ### BEFORE YOU BEGIN
- Read these instructions completely and carefully.
- **IMPORTANT** – Save these instructions for local inspector’s use.
 - **IMPORTANT** – Observe all governing codes and ordinances.
 - **Note to Installer** – Be sure to leave these instructions with the Consumer.
 - **Note to Consumer** – Keep these instructions for future reference.
 - **Skill level** – Installation of this appliance requires basic mechanical skills.
 - **Completion time**—Refrigerator Installation - 15 minutes
 - Proper installation is the responsibility of the installer.
 - Product failure due to improper installation is not covered under the Warranty.

- ### CLEARANCES
- Allow the following clearances for ease of installation, proper air circulation and plumbing and electrical connections.
- Sides 1/8" (3 mm)
 Top 1/8" (3 mm)
 Back 1" (25 mm)
- If the refrigerator is to be installed next to a wall on the hinge side, allow 5/16" (8 mm) door clearance.

WATER SUPPLY TO THE ICEMAKER (On Some Models)

If the refrigerator has an icemaker, it will have to be connected to a cold water line. A GE Appliances water supply kit (containing tubing, shutoff valve, fittings and instructions) is available at extra cost from your dealer or by visiting our Website at GEAppliances.com (in Canada at geappliances.ca) or from Parts and Accessories, 1.800.661.1616.

ROLLERS AND LEVELING LEGS

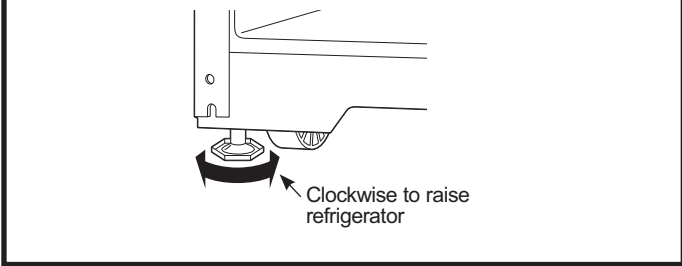
Leveling legs near each front corner of the refrigerator are adjustable. They firmly position the refrigerator and prevent it from moving when the doors are opened. Leveling legs should be set so the front of the refrigerator is raised just enough that the doors close easily when opened about halfway.

Turn the leveling legs clockwise to raise the refrigerator, counterclockwise to lower it.

Rollers next to the leveling legs allow you to move the refrigerator away from the wall for cleaning.

Turn the legs counterclockwise until the weight of the refrigerator is transferred from them to the rollers. After rolling the refrigerator back into place, turn the legs clockwise until the legs again bear the weight of the refrigerator.

- ### REFRIGERATOR LOCATION
- Do not install the refrigerator where the temperature will go below 55°F (12.7°C) because it will not run often enough to maintain proper temperatures.
 - Do not install the refrigerator where the temperature will go above 100°F (37°C) because it will not perform properly.
 - Do not install the refrigerator in a location exposed to water (rain, etc.) or direct sunlight.
 - Install it on a floor strong enough to support it fully loaded.



Installation Instructions

INSTALLING THE WATER LINE

BEFORE YOU BEGIN

Recommended copper water supply kits are WX8X2, WX8X3 or WX8X4, depending on the amount of tubing you need. Approved plastic water supply lines are SmartConnect™ Refrigerator Tubing (WX08X10002, WX08X10006, WX08X10015 and WX08X10025).

When connecting your refrigerator to a GE Appliances Reverse Osmosis Water System, the only approved installation is with a GE Appliances RVKit. For other reverse osmosis water systems, follow the manufacturer's recommendations.

If the water supply to the refrigerator is from a Reverse Osmosis Water Filtration System AND the refrigerator also has a water filter, use the refrigerator's filter bypass plug. Using the refrigerator's water filtration cartridge in conjunction with the RO filter can result in hollow ice cubes and slower water flow from the water dispenser.

This water line installation is not warranted by the refrigerator or icemaker manufacturer. Follow these instructions carefully to minimize the risk of expensive water damage.

Water hammer (water banging in the pipes) in house plumbing can cause damage to refrigerator parts and lead to water leakage or flooding. Call a qualified plumber to correct water hammer before installing the water supply line to the refrigerator.

To prevent burns and product damage, do not hook up the water line to the hot water line.

If you use your refrigerator before connecting the water line, make sure the feeler arm is in the OFF position.

Do not install the icemaker tubing in areas where temperatures fall below freezing.

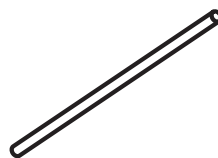
When using any electrical device (such as a power drill) during installation, be sure the device is double insulated or grounded in a manner to prevent the hazard of electric shock, or is battery powered.

All installations must be in accordance with local plumbing code requirements.

▲ WARNING

Connect to potable water supply only.

WHAT YOU WILL NEED



- Copper or SmartConnect™ Refrigerator Tubing kit, 1/4" outer diameter to connect the refrigerator to the water supply. If using copper, be sure both ends of the tubing are cut square.

To determine how much tubing you need: measure the distance from the water valve on the back of the refrigerator to the water supply pipe. Then add 8 feet (2.4 m). Be sure there is sufficient extra tubing (about 8 feet [2.4 m] coiled into 3 turns of about 10" [25 cm] diameter) to allow the refrigerator to move out from the wall after installation.

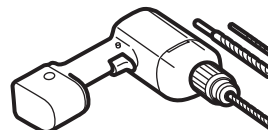
SmartConnect™ Refrigerator Tubing Kits are available in the following lengths:

2' (.6 m)	– WX08X10002
8' (2.4 m)	– WX08X10006
15' (4.6 m)	– WX08X10015
25' (7.6 m)	– WX08X10025

Be sure that the kit you select allows at least 8 feet (2.4 m) as described above.

NOTE: The only GE Appliances approved plastic tubing is that supplied in SmartConnect™ Refrigerator Tubing kits. Do not use any other plastic water supply line because the line is under pressure at all times. Certain types of plastic will crack or rupture with age and cause water damage to your home.

- A GE Appliances water supply kit (containing tubing, shutoff valve and fittings listed below) is available at extra cost from your dealer or from Parts and Accessories, 1.800.661.1616.
- A cold water supply. The water pressure must be between 20 and 120 p.s.i. (138-827 kilopascals) on models without a water filter and between 40 and 120 p.s.i. (138-827 kilopascals) on models with a water filter.



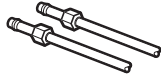
- Power drill.
- 1/2" or adjustable wrench.
- Straight and Phillips blade screwdriver.

Installation Instructions

INSTALLING THE WATER LINE (Continued)

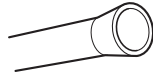
WHAT YOU WILL NEED (Cont.)

- Two 1/4" outer diameter compression nuts and 2 ferrules (sleeves)—to connect the copper tubing to the shutoff valve and the refrigerator water valve.

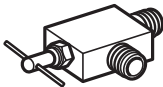


OR

- If you are using a SmartConnect™ Refrigerator Tubing kit, the necessary fittings are preassembled to the tubing.



- If your existing copper water line has a flared fitting at the end, you will need an adapter (available at plumbing supply stores) to connect the water line to the refrigerator OR you can cut off the flared fitting with a tube cutter and then use a compression fitting. Do not cut formed end from SmartConnect™ Refrigerator tubing.



- Shutoff valve to connect to the cold water line. The shutoff valve should have a water inlet with a minimum inside diameter of 5/32" at the point of connection to the COLD WATER LINE. Saddle-type shutoff valves are included in many water supply kits. Before purchasing, make sure a saddle-type valve complies with your local plumbing codes.

Install the shutoff valve on the nearest frequently used drinking water line.

1 SHUT OFF THE MAIN WATER SUPPLY

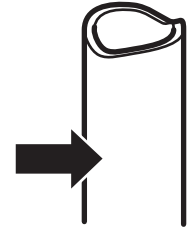
Turn on the nearest faucet long enough to clear the line of water.

⚠ WARNING

To reduce the risk of electric shock or injury during installation, you must first unplug the refrigerator before proceeding.

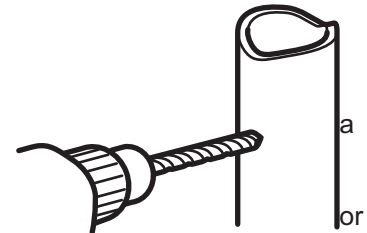
2 CHOOSE THE VALVE LOCATION

Choose a location for the valve that is easily accessible. It is best to connect into the side of a vertical water pipe. When it is necessary to connect into a horizontal water pipe, make the connection to the top or side, rather than at the bottom, to avoid drawing off any sediment from the water pipe.



3 DRILL THE HOLE FOR THE VALVE

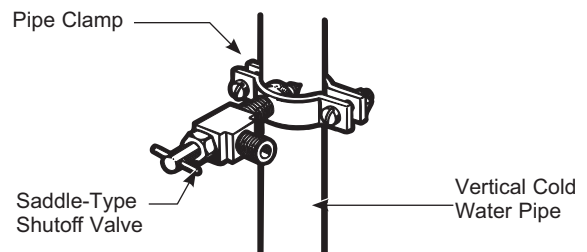
Drill a 1/4" hole in the water pipe (even if using a self-piercing valve) using a sharp bit. Remove any burrs resulting from drilling the hole in the pipe. Take care not to allow water to drain into the drill. Failure to drill 1/4" hole may result in reduced ice production smaller cubes.



4 FASTEN THE SHUTOFF VALVE

Fasten the shutoff valve to the cold water pipe with the pipe clamp.

NOTE: Commonwealth of Massachusetts Plumbing Codes 248CMR shall be adhered to. Saddle valves are illegal and use is not permitted in Massachusetts. Consult with your licensed plumber.



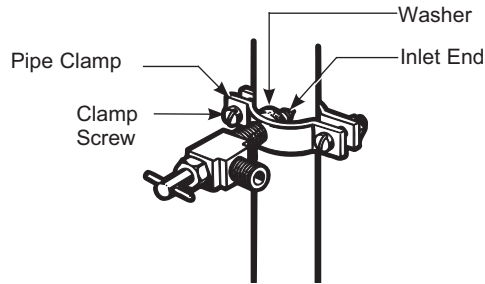
Installation Instructions

INSTALLING THE WATER LINE (Continued)

5 TIGHTEN THE PIPE CLAMP

Tighten the clamp screws until the sealing washer begins to swell.

NOTE: Do not overtighten or you may crush the tubing.



NOTE: Commonwealth of Massachusetts Plumbing Codes 248CMR shall be adhered to. Saddle valves are illegal and use is not permitted in Massachusetts. Consult with your licensed plumber.

6 ROUTE THE TUBING

Route the tubing between the cold water line and the refrigerator.

Route the tubing through a hole drilled in the wall or floor (behind the refrigerator or adjacent base cabinet) as close to the wall as possible.

NOTE: Be sure there is sufficient extra tubing [about 8 feet (244 cm) coiled into 3 turns of about 10" (25 cm) diameter] to allow the refrigerator to move out from the wall after installation.

8 FLUSH OUT THE TUBING

Turn the main water supply on and flush out the tubing until the water is clear.

Shut the water off at the water valve after about one quart (1 liter) of water has been flushed through the tubing.

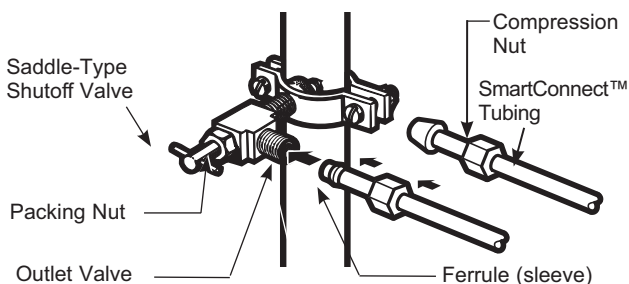


7 CONNECT THE TUBING TO THE VALVE

Place the compression nut and ferrule (sleeve) for copper tubing onto the end of the tubing and connect it to the shutoff valve.

Make sure the tubing is fully inserted into the valve. Tighten the compression nut securely.

For plastic tubing from a SmartConnect™ Refrigerator Tubing kit, insert the molded end of the tubing into the shutoff valve and tighten compression nut until it is hand tight, then tighten one additional turn with a wrench. Overtightening may cause leaks.



9 CONNECT THE TUBING TO THE REFRIGERATOR

NOTES:

- Before making the connection to the refrigerator, be sure the refrigerator power cord is not plugged into the wall outlet.
- If your refrigerator does not have a water filter we recommend installing one. If your water supply has sand or particles that could clog the screen of the refrigerator's water valve. Install it in the water line near the refrigerator. If using SmartConnect™ Refrigerator Tubing kit, you will need an additional tube (WX08X10002) to connect the filter. Do not cut plastic tube to install filter.

⚠ WARNING To reduce the risk of death or electric shock, you must follow these instructions:

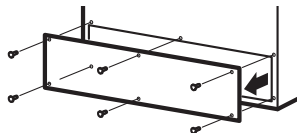
- Unplug the refrigerator before removing any panels.
- Do not contact or damage any wiring while the panel is removed.
- Replace all parts and panels before plugging the refrigerator back in.

Installation Instructions

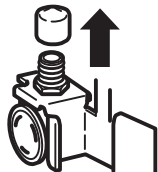
INSTALLING THE WATER LINE (Continued)

9 CONNECT THE TUBING TO THE REFRIGERATOR (CONT.)

If your refrigerator has an access cover, remove it.



Remove the plastic flexible cap from the water valve (refrigerator connection).



Place the compression nut and ferrule (sleeve) onto the end of the tubing as shown. On SmartConnect™ Refrigerator Tubing kit, the nuts are already assembled to the tubing.

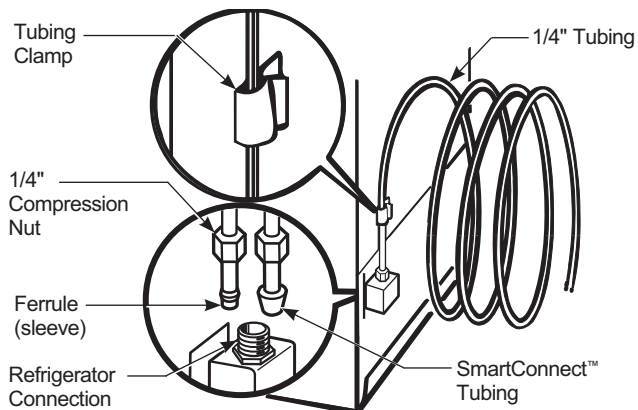
Insert the end of the tubing into the water valve connection as far as possible. While holding the tubing, tighten the fitting.

For plastic tubing from a SmartConnect Refrigerator Tubing kit, insert the molded end of the tubing into the refrigerator connection and tighten compression nut until it is hand tight, then tighten one additional turn with a wrench. Overtightening may cause leaks.

Fasten the tubing into the clamp provided to hold it in a vertical position. You may need to pry open the clamp.

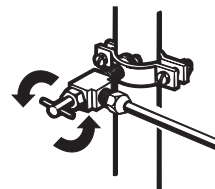
⚠ WARNING **ELECTRICAL SHOCK HAZARD**

Attach tubing clamp using existing hole only. DO NOT drill into the refrigerator.

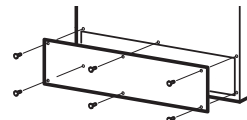


10 TURN THE WATER ON AT THE SHUTOFF VALVE

Tighten any connections that leak.

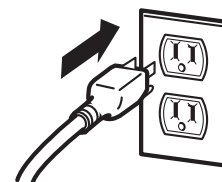


If your refrigerator has an access cover, reattach it.

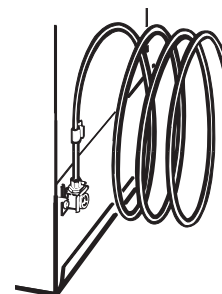


11 INSTALLING THE REFRIGERATOR

Plug in the refrigerator.

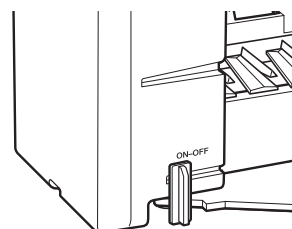


Arrange the coil of tubing so that it does not vibrate against the back of the refrigerator or against the wall. Push the refrigerator back to the wall.



12 START THE ICEMAKER

Set the icemaker power switch to the ON position. The icemaker will not begin to operate until it reaches its operating temperature of 15°F (–9°C) or below. It will then begin operation automatically if the icemaker power switch is in the ON position.



Installation Instructions

ICEMAKER INSTALLATION INSTRUCTIONS

BEFORE YOU BEGIN

Read each step thoroughly before proceeding.

⚠ WARNING To eliminate the risk of electric shock or injury during installation, you must first unplug the refrigerator before proceeding. Failure to follow these instructions can result in electrical shock.



2 REPOSITION FREEZER SHELF

Make sure the freezer shelf is in the lowest position.

3 PREPARE FOR INSTALLATION

For unit without factory installed icemaker, there is an installation instruction label on the back of the unit that indicates which installation method to use. Follow the icemaker installation manual that comes with your icemaker kit carefully to complete the icemaker installation.

TOOLS YOU WILL NEED



Flat blade and Phillips screwdrivers



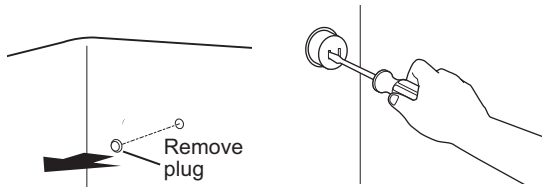
Pliers



Sharp knife

1 PREPARE FOR INSTALLATION

- Remove and discard the large white plug from the rear freezer wall.
- Remove the outlet cover with a flat-blade screwdriver.



Installation Instructions

REVERSING THE DOOR SWING

⚠ WARNING Follow all steps when reversing the door swing. Failure to follow these instructions, leaving off parts, or overtightening screws, can lead to the door falling off and result in injury and property damage.

IMPORTANT NOTES

When reversing the door swing:

- Read the instructions all the way through before starting.
- Handle parts carefully to avoid scratching paint.
- Set screws down by their related parts to avoid using them in the wrong places.
- Provide a non-scratching work surface for the doors.

IMPORTANT: Once you begin, do not move the cabinet until door-swing reversal is completed.

These instructions are for changing the hinges from the right side to the left side—if you ever want to change the hinges back to the right side, follow these same instructions and reverse all references to left and right.

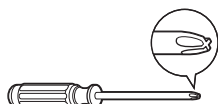
Unplug the refrigerator from its electrical outlet.

NOTE: Do not let either door drop to the floor. To do so could damage the door stop.

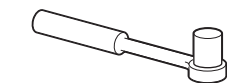
⚠ CAUTION Lifting Hazard

The Fresh Food and Freezer doors are heavy Use both hands to secure the doors before lifting.

TOOLS YOU WILL NEED



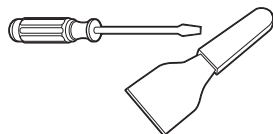
Phillips screwdriver



5/16" socket and ratchet



Masking tape



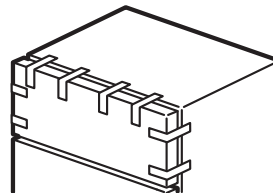
Putty knife or thin-blade screwdriver



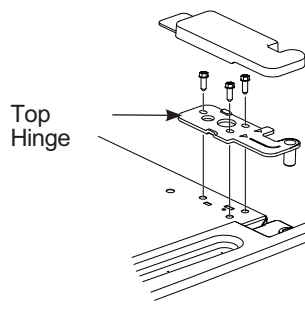
Allen wrench (Stainless Steel Handle Models)

1 REMOVE FREEZER DOOR

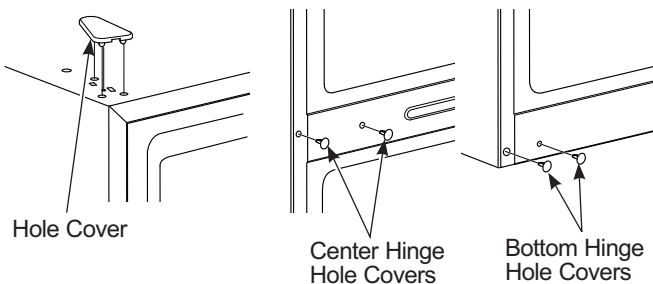
1. Remove all food from the inner door liner.
2. Tape the door shut with masking tape.



3. Remove the hinge cover on top of the freezer door with a thin-blade screwdriver.
4. Remove the three screws with a 5/16" socket and ratchet, then lift the hinge straight up to free the hinge pin from the socket in the top of the door.



5. Remove the tape and tilt the door away from the cabinet. Lift it off the center hinge pin.
6. Remove the hole covers with a putty knife on the opposite side of the three hinges.



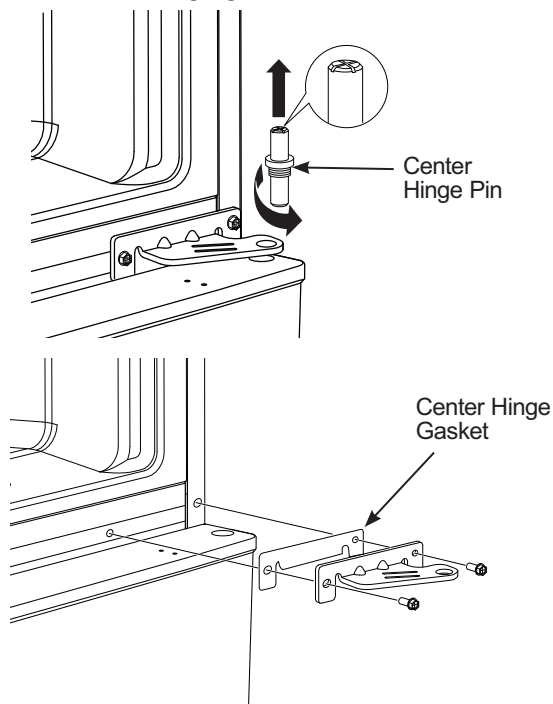
7. Set the door on a non-scratching surface with the inside up.

Installation Instructions

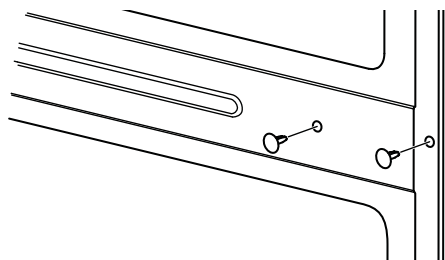
REVERSING THE DOOR SWING (Cont.)

2 REMOVE REFRIGERATOR DOOR

1. Remove all food from the inner door liner.
2. Tape the door shut with masking tape.
3. Remove the center hinge pin with a Phillips screwdriver.
4. Remove the center hinge by removing two hinge screws with a 5/16" socket and ratchet. Save the center hinge, hinge pin, screws and center hinge gasket.

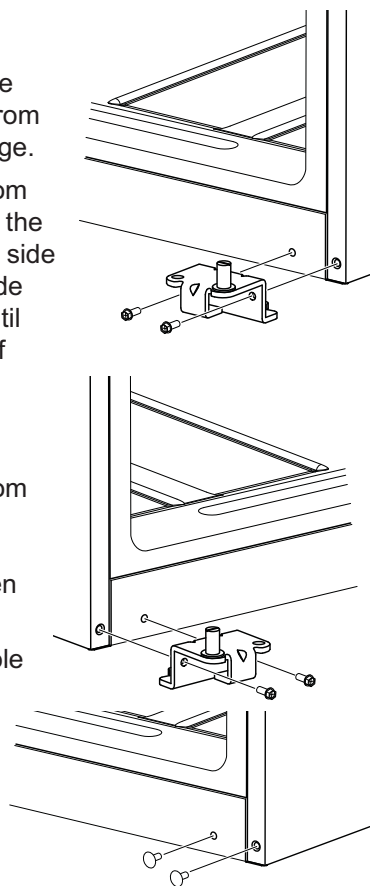


5. Remove the tape and tilt the door away from the cabinet. Lift the door straight up to free its bottom socket from the pin in the bottom hinge bracket.
6. Set the door on a non-scratching surface with the inside up.
7. Install the 2 hole plugs from the opposite side of the cabinet to the screw holes vacated by the center hinge removal.



3 TRANSFER BOTTOM HINGE TO THE LEFT

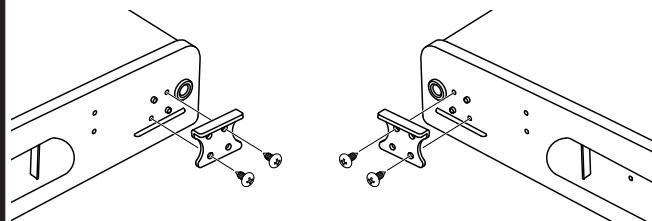
1. Using a 5/16 Socket and ratchet, remove the 2 screws from the bottom hinge.
2. Move the bottom hinge pin from the right to the left side with a thin-blade screwdriver until the shoulder of the hinge pin is touching the hinge.
3. Move the bottom hinge from the right to the left side and tighten the 2 screws.
4. Install the 2 hole plugs from the opposite side of the cabinet to the screw holes vacated by the bottom hinge removal.



▲WARNING Follow all steps when reversing the door swing. Failure to follow these instructions, leaving off parts, or overtightening screws, can lead to the door falling off and result in injury and property damage.

4 TRANSFER DOOR STOP TO THE LEFT

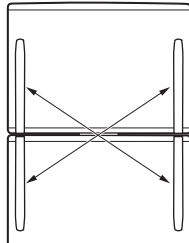
1. On both the refrigerator and freezer doors, remove the screws from the door stop on the right with a Phillips screwdriver.
2. Install the door stop on the left of each door.



Installation Instructions

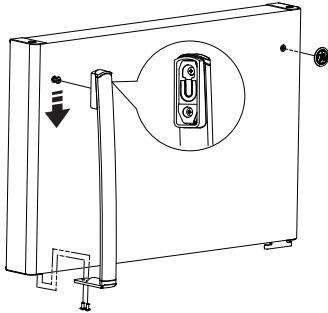
REVERSING THE DOOR SWING (Cont.)

3 REVERSING DOOR HANDLES – TRANSFER FREEZER DOOR HANDLE TO THE RIGHT SIDE OF THE REFRIGERATOR DOOR

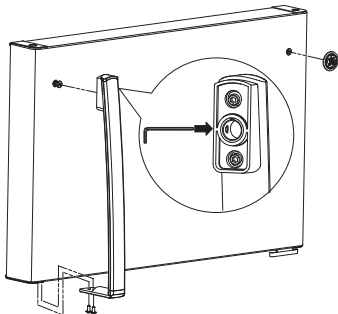


1. Remove the two screws securing the bottom end of the handle with a Phillips screwdriver and remove the GE Appliances badge.

2. **For Plastic handles:** Pull handle down and off of the fastener on the door.



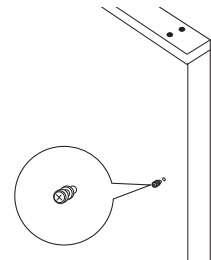
- For Stainless Steel handles:** Loosen the set screw on the handle with 1/8" wrench and remove handle.



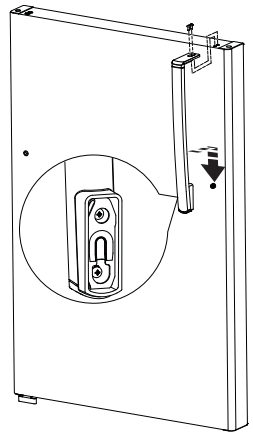
3. Remove the fastener from the surface of the freezer door, and cover the new vacant hole with the GE Appliances Badge. (For a new unit, the GE Appliances Badge can be found in your handle kit. If you need a new badge call 800.GE.CARES (800.432.2737) (in Canada call 800.561.3344).

3 REVERSING DOOR HANDLES – TRANSFER FREEZER DOOR HANDLE TO THE RIGHT SIDE OF THE REFRIGERATOR DOOR (Cont.)

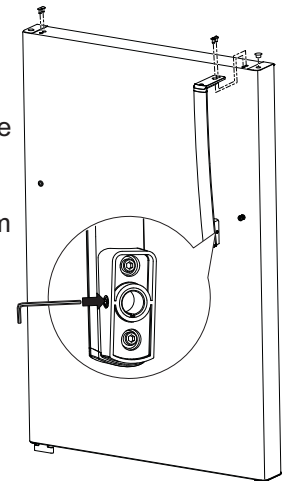
4. Remove the plug button from the surface of the right side of the refrigerator door and insert the fastener with a Phillips screwdriver.



5. **For Plastic handle:** Attach handle to fresh food door on fastener and slide downward to lock in place with the screws at the top of the handle.



- For Stainless Steel handle:** Attach handle to fresh food door with screws at the top of the handle. Use 1/8" allen wrench to tighten the set screw at the bottom of the handle.



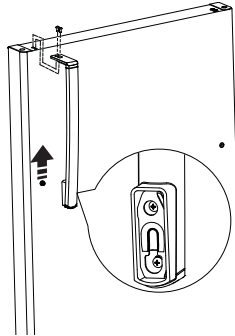
NOTE: Do not over-tighten.

Installation Instructions

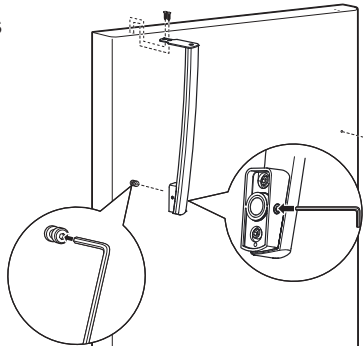
REVERSING THE DOOR SWING (Cont.)

4 REVERSING DOOR HANDLES – TRANSFER REFRIGERATOR DOOR HANDLE TO THE RIGHT SIDE OF THE FREEZER DOOR

1. Remove the two screws securing the top end of the handle with a Phillips screwdriver and remove the GE Appliances badge.
2. **For Plastic handle:** Pull handle up and off of the fastener on the door



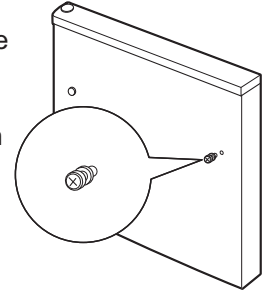
For Stainless Steel handle:
Loosen set screw on handle with 1/8" wrench and remove handle.



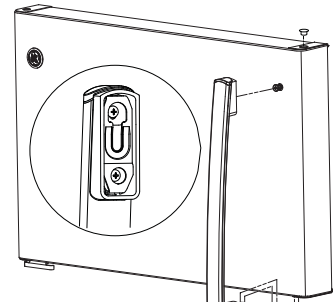
3. Remove the fastener from the surface of the refrigerator door, and cover the new vacant hole with the plug from the opposite side.

4 REVERSING DOOR HANDLES – TRANSFER REFRIGERATOR DOOR HANDLE TO THE RIGHT SIDE OF THE FREEZER DOOR (Cont.)

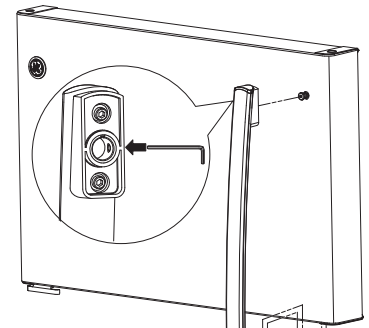
4. Remove the plug from the surface of the right side of the refrigerator door and insert the fastener with a Phillips screwdriver.



5. **For Plastic handle:**
Attach handle to fresh food door on fastener and slide downward to lock in place with the screws at the top of the handle.



- For Stainless Steel handle:**
Attach handle to fresh food door with screws at the top of the handle. Use 1/8" allen wrench to tighten the set screw at the bottom of the handle.



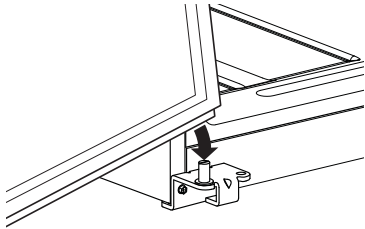
NOTE: Do not over-tighten.

Installation Instructions

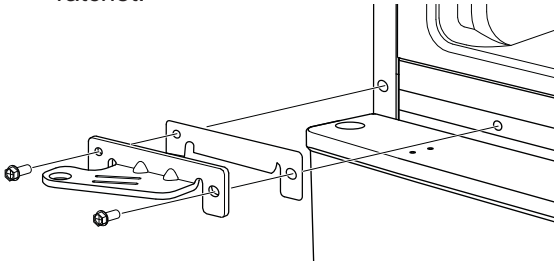
REVERSING THE DOOR SWING (Cont.)

5 REHANG THE REFRIGERATOR DOOR

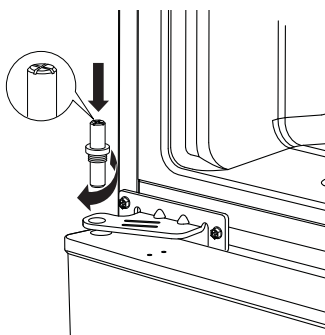
1. Lower the refrigerator door onto the bottom hinge pin.



2. While holding the door securely, align the socket in the door with the hole in the center hinge. Attach the center hinge and gasket with two screws with a 5/16" socket and ratchet.

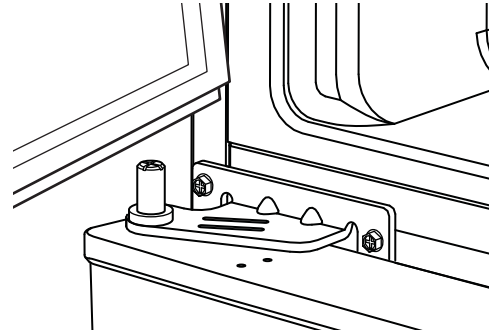


3. Check to ensure the alignment between the socket in the door and the hole in the center hinge. Insert the hinge pin into the center hinge and tighten with a Phillips screwdriver until the shoulder of the hinge pin is touching the center hinge.

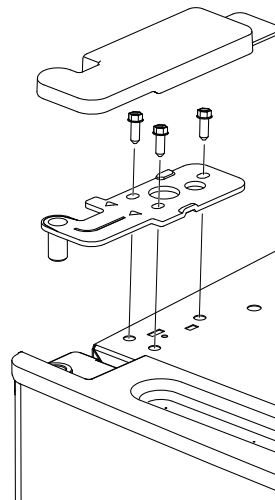


8 REHANG THE FREEZER DOOR

1. Lower the freezer door onto the center hinge pin.



2. Place the left top hinge so the pin fits into the door socket. (Left top hinge and cover can be found inside of the product. Call GE Appliances Service at 800.GE.CARES (800.432.2737 or in Canada call 800.561.3344 if parts are missing.) Support the door on the handle side and make sure the door is straight and the gap between the doors is even across the front. While holding the door in place, tighten the top hinge screws. Do not overtighten these screws. Tighten them until they are just snug, and then turn them another one-half turn.



3. Snap the left top hinge cover over the hinge.

Normal Operating Sounds

Newer refrigerators sound different from older refrigerators. Modern refrigerators have more features and use newer technology.

Do you hear what I hear? These sounds are normal.

HUMMM...

WHOOSH...

- The new high efficiency compressor may run faster and longer than your old refrigerator and you may hear a high-pitched hum or pulsating sound while it is operating.
- You may hear a whooshing sound when the doors close. This is due to pressure equalizing within the refrigerator.

WHIR!



- You may hear the fans spinning at high speeds. This happens when the refrigerator is first plugged in, when the doors are opened frequently or when a large amount of food is added to the refrigerator or freezer compartments. The fans are helping to maintain the correct temperatures.

CLICKS, POPS, CRACKS and CHIRPS

- You may hear cracking or popping sounds when the refrigerator is first plugged in. This happens as the refrigerator cools to the correct temperature.
- The compressor may cause a clicking or chirping sound when attempting to restart (this could take up to 5 minutes).
- Expansion and contraction of cooling coils during and after defrost can cause a cracking or popping sound.
- On models with an icemaker, after an icemaking cycle, you may hear the ice cubes dropping into the ice bucket.
- On models with a dispenser, during water dispense, you may hear the water lines move at initial dispense and after dispenser button is released.

WATER SOUNDS

- The flow of refrigerant through the freezer cooling coils may make a gurgling noise like boiling water.
- Water dropping on the defrost heater can cause a sizzling, popping or buzzing sound during the defrost cycle.



- A water dripping noise may occur during the defrost cycle as ice melts from the evaporator and flows into the drain pan.
- Closing the door may cause a gurgling sound due to pressure equalization.

Troubleshooting Tips... Before you call for service

Save time and money! Review the charts on the following pages first and you may not need to call for service. If needed, service can be scheduled by visiting us online GEAppliances.com or calling 800.GECARES 800.432.2737. In Canada visit GEAppliances.ca or call 800.561.3344.

Problem	Possible Causes	What To Do
Freezer door pops open when refrigerator door is closed	This is normal if, after popping open, the freezer door closed on its own.	This indicates that there is a good seal on the freezer door. If the freezer door does not automatically close after popping open, the rollers need adjusting. See Rollers and Leveling Legs.
Door does not close by itself	Leveling legs need adjusting.	See Rollers and Leveling Legs.
Refrigerator does not operate	Refrigerator in defrost cycle.	Wait about 40 minutes for defrost cycle to end.
	Refrigerator control in 1 (off) position.	Move the refrigerator and freezer control to a temperature setting.
	Refrigerator is unplugged.	Push the plug completely into the outlet.
	The fuse is blown/circuit breaker is tripped.	Replace fuse or reset the breaker.
Vibration or rattling (slight vibration is normal)	Refrigerator is not resting on all four rollers.	Adjust leveling legs (See Rollers and Leveling Legs).
Motor operates for long periods or cycles on and off frequently (Modern refrigerators with more storage space and a larger freezer require more operating time. They start and stop often to maintain even temperatures.)	Normal when refrigerator is first plugged in.	Wait 24 hours for the refrigerator to completely cool down.
	Often occurs when large amounts of food are placed in refrigerator.	This is normal.
	Door left open.	Check to see if package is holding door open.
	Hot weather or frequent door openings.	This is normal.
	Temperature controls set at the coldest setting.	See About the controls.
Refrigerator or freezer compartment too warm	Temperature control not set cold enough.	See About the controls.
	Warm weather or frequent door openings.	Set the temperature control one step colder. See About the controls.
	Door left open.	Check to see if package is holding door open.
	Freezer door popped open.	See the problem Freezer door pops open when refrigerator door is closed.
Frost or ice crystals on frozen food (frost within package is normal)	Door left open.	Check to see if package is holding door open.
	Too frequent or too long door openings.	
	Food blocking freezer air vents.	Move items away from the back wall of the freezer.
Frequent "buzzing" sound	Icemaker feeler arm is in the ON (down) position, but the water supply to the refrigerator has not been connected.	Set the feeler arm to the STOP (up) position. Keeping it in the ON (down) position will damage the water valve.
Small or hollow cubes	Water filter clogged.	Replace filter cartridge with new cartridge or with plug.
Automatic icemaker (on some models) does not work	Ice maker feeler arm is not set ON.	Move the feeler arm to the ON position.
	Water supply turned off or not connected.	See Installing the water line.
	Freezer compartment too warm.	Wait 24 hours for the refrigerator to completely cool down.
	Piled up cubes in the storage bin cause the icemaker to shut off.	Level cubes by hand.
	Ice cubes stuck in icemaker. (Green power light on icemaker blinking.)	Turn off the icemaker, remove cubes and turn the icemaker back on.

Troubleshooting Tips... Before you call for service

Problem	Possible Causes	What To Do
Ice cubes have odor/taste	Ice storage bin needs cleaning.	Empty and wash bin. Discard old cubes.
	Food transmitting odor/taste to ice cubes.	Wrap foods well.
	Interior of refrigerator needs cleaning.	See Care and cleaning.
Slow ice cube freezing	Door left open.	Check to see if package is holding door open.
	Temperature control not set cold enough.	See About the controls.
		A newly installed refrigerator may take 12–24 hours to begin making ice cubes.
Moisture forms on cabinet surface between the doors	Not unusual during periods of high humidity.	Wipe surface dry; then adjust the fresh food control setting one number higher and check again in 24 hours.
Refrigerator has odor	Foods transmitting odor to refrigerator.	Foods with strong odors should be tightly wrapped. Keep an open box of baking soda in the refrigerator; replace every three months.
	Interior needs cleaning.	See Care and cleaning.
Moisture collects inside (in humid weather, air carries moisture into refrigerator when doors are opened)	Too frequent or too long door openings.	
	Open containers of water or warm food in the refrigerator.	Cover or seal open containers. During a defrost cycle, moisture will be removed from the refrigerator, but may return with long or frequent door openings.
Refrigerator compartment light does not work	No power at outlet.	Replace fuse or reset the breaker.
	Light bulb burned out or loose.	See Replacing the light bulbs.
Hot air from bottom of refrigerator.	Normal air flow cooling motor. In the refrigeration process, it is normal that heat be expelled in the area under the refrigerator. Some floor coverings will discolor at these normal and safe temperatures.	
Food freezing in the refrigerator	Food too close to the air vent at the back of the refrigerator.	Move the food away from the air vent (near the controls).
	Refrigerator control is set too cold.	Move the refrigerator control to a warmer Temperature setting one increment at a time.
Orange glow in the freezer	Defrost heater is on.	This is normal.
Door bins do not fit in the door	The freezer door bins are a different size than the refrigerator door bins.	Try to install the bins in both doors.
Controls do not light up controls.	Some models do not have lighted controls.	If you can read white numbers on the control setting, the model does not have lighted
	Refrigerator light bulb burned out or loose.	See Replacing the light bulbs.
Water has poor taste/odor	Water dispenser has not been used for a long time.	Dispense water until all water in system is replenished.
Water in first glass is warm	Normal when refrigerator is first installed.	Wait 24 hours for the refrigerator to completely cool down.
	Water dispenser has not been used for a long time.	Dispense water until all water in system is replenished.
	Water system has been drained.	Allow several hours for replenished supply to chill.
No water or ice cube production	Supply line or shutoff valve is clogged.	Call a plumber.

Refrigerator Limited Warranty

For US Customers, all warranty service provided by our Factory Service Centers, or an authorized Customer Care® technician. To schedule service, on-line, 24 hours a day, visit us at **GEAppliances.com**, or call 800.GE.CARES (800.432.2737). Please have serial number and model number available when calling for service.
In Canada, visit **GEAppliances.ca** or call **1.800.561.3344**.

Servicing your refrigerator may require the use of the onboard data port for diagnostics. This gives a GE Appliances Factory Service technician the ability to quickly diagnose any issues with your appliance and helps improve its products by providing information on your appliance. If you do not want your appliance data to be sent to GE Appliances, please advise your technician **NOT** to submit the data at the time of service.

For the Period of:	GE Appliances Will Replace
One Year From the date of the original purchase	Any part of the refrigerator which fails due to a defect in materials or workmanship. During the limited one-year warranty , GE Appliances will also provide, free of charge , all labor and related service to replace the defective part.

What is Not Covered:

- Service trips to your home to teach you how to use the product.
- Improper installation, delivery or maintenance.
- Failure of the product if it is abused, misused, or used for other than the intended purpose or used commercially.
- Loss of food due to spoilage.
- Replacement of house fuses or resetting of circuit breakers.
- Damage caused after delivery.
- Replacement of the water filter cartridge, if included, due to water pressure that is outside the specified operating range or due to excessive sediment in the water supply.
- Replacement of the light bulbs, if included, or water filter cartridge, if included, other than as noted above.
- Damage to the product caused by accident, fire, floods or acts of God.
- Incidental or consequential damage caused by possible defects with this appliance.
- Product not accessible to provide required service.
- Damage caused by a non-GE Appliances Brand water filter.
- Damage to finish, such as surface rust, tarnish, or small blemishes not reported within 48 hours of delivery.
- Products which are not defective, broken, or which are working as described in the owner's manual.

EXCLUSION OF IMPLIED WARRANTIES—Your sole and exclusive remedy is product repair as provided in this Limited Warranty. Any implied warranties, including the implied warranties of merchantability or fitness for a particular purpose, are limited to one year or the shortest period allowed by law.

For US Customers: This warranty is extended to the original purchaser and any succeeding owner for products purchased for home use within the USA. If the product is located in an area where service by a GE Appliances Authorized Servicer is not available, you may be responsible for a trip charge or you may be required to bring the product to an Authorized GE Appliances Service location for service. In Alaska, the warranty excludes the cost of shipping or service calls to your home.

Some states do not allow the exclusion or limitation of incidental or consequential damages. This warranty gives you specific legal rights, and you may also have other rights which vary from state to state. To know what your legal rights are, consult your local or state consumer affairs office or your state's Attorney General.

Warrantor US: GE Appliances, a Haier company
Louisville, KY 40225

For Customers in Canada: This warranty is extended to the original purchaser and any succeeding owner for products purchased in Canada for home use within Canada. In-home warrant service will be provided in areas where it is available and deemed reasonable by Mabe to provide.

Warrantor Canada: MC Commercial, Burlington, Ontario, L7R 5B6

Staple your receipt here. Proof of the original purchase date is needed to obtain service under the warranty.

Consumer Support

GE Appliances Website

Have a question or need assistance with your appliance? Try the GE Appliances Website 24 hours a day, any day of the year! You can also shop for more great GE Appliances products and take advantage of all our on-line support services designed for your convenience. In the US: GEAppliances.com In Canada: GEAppliances.ca

Register Your Appliance

Register your new appliance on-line at your convenience! Timely product registration will allow for enhanced communication and prompt service under the terms of your warranty, should the need arise. You may also mail in the pre-printed registration card included in the packing material.

In the US: GEAppliances.com/register

In Canada: Prodsupport.mabe.ca/crm/Products/ProductRegistration.aspx

Schedule Service

Expert GE Appliances repair service is only one step away from your door. Get on-line and schedule your service at your convenience any day of the year.

In the US: GEAppliances.com/service or call 800.432.2737 during normal business hours.

In Canada: GEAppliances.ca/en/support/service-request or call 800.561.3344

Extended Warranties

Purchase a GE Appliances extended warranty and learn about special discounts that are available while your warranty is still in effect. You can purchase it on-line anytime. GE Appliances Services will still be there after your warranty expires.

In the US: GEAppliances.com/extended-warranty or call 800.626.2224 during normal business hours.

In Canada: GEAppliances.ca/en/support/purchase-extended-warranty or call 866.277.9842

Remote Connectivity

For assistance with wireless network connectivity (for models with remote enable), visit our website at GEAppliances.com/connected-home-smart-appliances/ or call 800.220.6899 in the US only.

Parts and Accessories

Individuals qualified to service their own appliances can have parts or accessories sent directly to their homes (VISA, MasterCard and Discover cards are accepted). Order on-line today 24 hours every day.

In the US: GEApplianceparts.com or by phone at 877.959.8688 during normal business hours.

Instructions contained in this manual cover procedures to be performed by any user. Other servicing generally should be referred to qualified service personnel. Caution must be exercised, since improper servicing may cause unsafe operation.

Customers in Canada should consult the yellow pages for the nearest Mabe service center, visit our website at GEAppliances.ca/en/products/parts-filters-accessories or call 800.661.1616.

Contact Us

If you are not satisfied with the service you receive from GE Appliances, contact us on our Website with all the details including your phone number, or write to:

In the US: General Manager, Customer Relations | GE Appliances, Appliance Park | Louisville, KY 40225

GEAppliances.com/contact

In Canada: MC Commercial | Burlington, ON Canada, L7R 5B6

GEAppliances.ca/en/contact-us



Congelador superior REFRIGERADORES

INFORMACIÓN DE SEGURIDAD 3

OPERACIÓN DEL REFRIGERADORE

Controles5
 Estantes y compartimientos6
 Cajones y recipientes7
 Máquina de hielos automática8

CUIDADO Y LIMPIEZA9

Limpieza de la parte exterior9
 Limpieza de la parte interior9
 Condensador9
 Cómo Mover el Refrigerador10
 Preparación para vacaciones10
 Preparación para una mudanza10
 Cómo reemplazar la bombilla10

INSTRUCCIONES PARA LA INSTALACIÓN

Preparación para instalar el refrigerador 11
 Instalación de la tubería del agua 12
 Instrucciones para la instalación de la máquina de hielos 16
 Cómo invertir el vaivén de la puerta 17

SOLUCIÓN DE PROBLEMAS

Sonidos normales de operación22
 Consejos para la solución de problema ..23

GARANTÍA LIMITADA.....25

SOPORTE AL CONSUMIDOR . . 26

MANUAL DEL PROPIETARIO E INSTRUCCIONES DE INSTALACIÓN

GTE21
GIE21

ESPAÑOL

Escriba los números de modelo y de serie aquí:

Nº de Modelo _____

Nº de Serie _____

Busque estos números en una etiqueta del lado izquierdo, cerca de la parte intermedia del compartimiento del refrigerador.

GRACIAS POR HACER QUE GE APPLIANCES SEA PARTE DE SU HOGAR.

Ya sea que haya crecido usando GE Appliances, o que ésta es su primera vez, nos complace tenerlo en la familia.

Sentimos orgullo por el nivel de arte, innovación y diseño de cada uno de los electrodomésticos de GE Appliances, y creemos que usted también. Entre otras cosas, el registro de su electrodoméstico asegura que podamos entregarle información importante del producto y detalles de la garantía cuando los necesite.

Registre su electrodoméstico GE ahora a través de Internet. Sitios Web y números telefónicos útiles están disponibles en la sección de Soporte para el Consumidor de este Manual del Propietario.

También puede enviar una carta en la tarjeta de inscripción preimpresa que se incluye con el material embalado.



GE APPLIANCES

INFORMACIÓN IMPORTANTE DE SEGURIDAD

LEA TODAS LAS INSTRUCCIONES ANTES DE USAR

⚠️ ADVERTENCIA

A fin de reducir el riesgo de incendio, explosión, descargas eléctricas o lesiones al usar su refrigerador, siga estas precauciones básicas de seguridad:

- Este refrigerador se deberá instalar y ubicar adecuadamente de acuerdo con las Instrucciones de Instalación antes de ser usado.
- Desenchufe el refrigerador antes de hacer reparaciones, reemplazar una lámpara de luz o hacer una limpieza.
NOTA: La corriente que va al refrigerador no puede ser desconectada por ninguna configuración del panel de control.
NOTA: Las reparaciones deberán ser realizadas por un Profesional del Servicio Técnico calificado.
- Reemplace todas las piezas y paneles antes del uso.
- No guarde ni use gasolina u otros vapores inflamables y líquidos cerca de este u otros electrodomésticos.
- No guarde sustancias explosivas tales como latas de aerosoles con propelentes inflamables en este electrodoméstico.
- No use un prolongador.
- A fin de evitar riesgos de que los niños sufran asfixia o queden atrapados, retire las puertas de comidas frescas y del freezer de cualquier refrigerador antes de deshacerse o dejar de usar el mismo.
- Para evitar lesiones graves o la muerte, los niños no se deberán parar sobre ni jugar en o con el electrodoméstico.
- Los niños y las personas con capacidad física, sensorial o mental reducida o con falta de experiencia y conocimiento podrán usar este electrodoméstico sólo si son supervisados o les fueron dadas instrucciones sobre un uso seguro y entienden los riesgos involucrados.
- Este electrodoméstico fue diseñado para uso hogareño y para aplicaciones similares tales como: áreas de personal de cocina en tiendas, oficinas y otros espacios laborales; casas de campo; por clientes en hoteles, moteles, hostales y otros espacios residenciales, catering y aplicaciones no minoristas similares.

⚠️ PRECAUCIÓN

A fin de reducir el riesgo de lesiones al usar el refrigerador, siga estas precauciones básicas.

- No limpie estantes de vidrio ni tapas con agua caliente cuando estén fríos. Los estantes de vidrio y las tapas se pueden romper si son expuestos a cambios de temperatura repentinos o impactos, tales como sacudones o caídas. El vidrio templado está diseñado para destruirse en pequeñas piezas en caso de rotura.
- Mantenga los dedos fuera de los espacios de "riesgo de lastimaduras"; los despejes entre las puertas y entre las puertas y el gabinete son necesariamente pequeños. Tenga el cuidado de cerrar las puertas cuando los niños se encuentren en el área.
- No toque las superficies frías del compartimiento del freezer cuando las manos estén húmedas o mojadas, ya que la piel se podrá adherir a estas superficies extremadamente frías.
- No vuelva a congelar comidas que hayan estado totalmente congeladas en forma previa.
- En refrigeradores con máquinas de hacer hielo automáticas, evite el contacto con las partes móviles del mecanismo eyector o con el elemento de calefacción que libera los cubos. No coloque los dedos ni las manos en el mecanismo de la máquina de hielo automática mientras el refrigerador esté enchufado.

⚠️ ADVERTENCIA



RIESGO DE INCENDIO O EXPLOSIÓN Refrigerantes Inflamables

Este electrodoméstico cuenta con refrigerante isobutano, también conocido como R600a, un gas natural con alto nivel de compatibilidad medioambiental. Sin embargo, también es combustible. Siga las advertencias que figuran a continuación, a fin de reducir el riesgo de lesiones o daños sobre la propiedad.

1. Al mover, instalar y operar el electrodoméstico, se deberá tener cuidado de no dañar la tubería del refrigerante.
2. El servicio técnico sólo debe ser realizado por personal autorizado del servicio. Use sólo piezas del servicio autorizadas por el fabricante.
3. Descarte el electrodoméstico de acuerdo con las Regulaciones Federales y Locales. El refrigerante inflamable y el material aislante inflamable usados en este producto requieren procedimientos de descarte especiales. Comuníquese con las autoridades locales para descartar su refrigerador de forma ambientalmente segura.
4. Mantenga las aberturas de ventilación en el espacio de protección del electrodoméstico o en la estructura incorporada libres de obstrucción.
5. A fin de eliminar la escarcha, raspe con una espátula o raspador de plástico o madera. No use un pico de hielo o un instrumento de metal con forma puntiaguda, ya que esto podrá perforar el revestimiento del freezer y luego la tubería refrigerante inflamable detrás de éste.
6. No use dispositivos eléctricos dentro del compartimiento de almacenamiento de comida del electrodoméstico.
7. No use ningún dispositivo eléctrico para descongelar su refrigerador.

LEA Y GUARDE ESTAS INSTRUCCIONES

INFORMACIÓN IMPORTANTE DE SEGURIDAD LEA TODAS LAS INSTRUCCIONES ANTES DE USAR

INSTALACIÓN

⚠ ADVERTENCIA RIESGO DE INCENDIO O EXPLOSIÓN

Mantenga cualquier material y vapores inflamables alejados del refrigerador. Si no se cumple con esto se podrá producir una explosión, incendio o la muerte.

CONEXIÓN DE LA ELECTRICIDAD

⚠ ADVERTENCIA RIESGO DE DESCARGA ELÉCTRICA

Enchufe en un tomacorriente con conexión a tierra de 3 cables.

No elimine el cable de conexión a tierra.

No use un adaptador.

No use un prolongador.

Si no se siguen estas instrucciones se podrá producir a muerte, incendios o descargas eléctricas.

Nunca, bajo ninguna circunstancia, corte o elimine el tercer cable (tierra) del cable de corriente. Para su seguridad personal, este electrodoméstico debe estar adecuadamente conectado a tierra.

El cable de corriente de este electrodoméstico contiene un enchufe de 3 cables (conexión a tierra) que se conecta a un tomacorriente de pared estándar de 3 cables (conexión a tierra) para minimizar la posibilidad de riesgos de descargas eléctricas por parte del mismo.

Contrate a un electricista calificado para que controle el tomacorriente y el circuito eléctrico, a fin de asegurar que el enchufe esté correctamente conectado a tierra.

En caso de contar con un tomacorriente de pared de 2 cables, es su responsabilidad y obligación reemplazarlo por un tomacorriente de pared de 3 cables correctamente conectado a tierra. No use un adaptador.

El refrigerador debería estar siempre conectado a un enchufe específico con un índice de voltaje equivalente al que figura en su etiqueta de características técnicas.

Se requiere un suministro eléctrico con fusible y conexión a tierra de 115 voltios de CA, 60 Hz, 15 o 20 amperes. Esto garantiza el mejor funcionamiento y además previene la sobrecarga de los circuitos del hogar, lo cual podría ocasionar riesgos de incendio debido al recalentamiento de cables.

Nunca desenchufe el refrigerador tirando del cable de corriente. Siempre tome su enchufe firmemente y empuje el mismo hacia afuera para retirarlo.

Inmediatamente interrumpa el uso de un cable de suministro de corriente dañado. Si el cable de corriente se encuentra dañado, su reemplazo deberá ser realizado por un profesional calificado del servicio técnico, utilizando una pieza del servicio técnico autorizada por el fabricante.

Al alejar el refrigerador de la pared, se deberá tener cuidado de que no ruede sobre ni dañe el cable de corriente.

FORMA ADECUADA DE DESCARTAR SU ANTIGUO REFRIGERADOR

⚠ ADVERTENCIA PELIGRO DE SUFFOCATION Y ENTRAPMENT

El incumplimiento de estas instrucciones de eliminación puede causar la muerte o lesiones graves.

IMPORTANTE: Que un niño quede atrapado o que sufra una asfixia no son problemas del pasado. Los refrigeradores antiguos o abandonados aún son peligrosos, incluso aunque se conserven por "sólo unos pocos días". Si se deshará de su antiguo refrigerador, siga las siguientes instrucciones a fin de evitar accidentes.

Antes de descartar su antiguo aparato:

- Retire las puertas de comidas frescas y del freezer.
- Deje los estantes en su lugar de modo que los niños no puedan trepar dentro con facilidad.

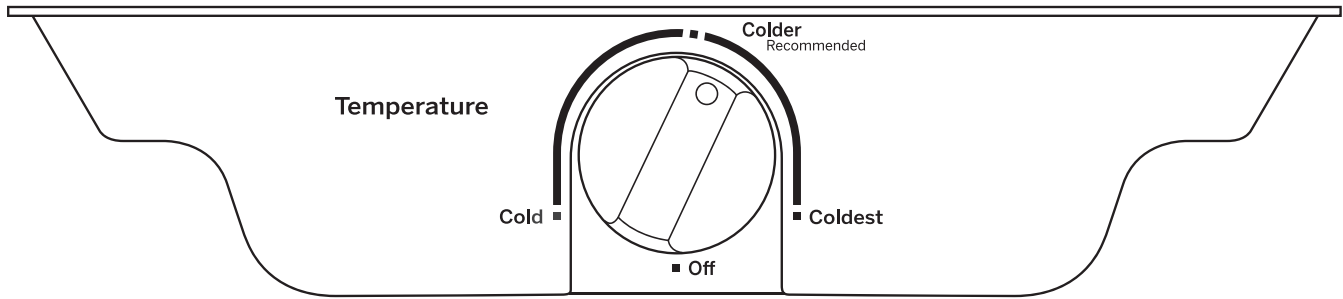
Descarte de Refrigerantes y Gomaespumas:

Descarte o recicle su electrodoméstico de acuerdo con las Regulaciones Federales y Locales. El refrigerante inflamable y el material aislante inflamable usados requieren procedimientos de descarte especiales. Comuníquese con las autoridades locales para descartar o reciclar su electrodoméstico de forma ambientalmente segura.

LEA Y GUARDE ESTAS INSTRUCCIONES

Controles

Los controles en su refrigerador lucirán como uno de los siguientes:



Niveles de los controles

Inicialmente, configure el control del refrigerador en la configuración recomendada. Espere 24 horas hasta que la temperatura se estabilice.

Es posible que se requieran varios ajustes. Ajuste los controles del refrigerador realizando un incremento por vez y espere 12 horas luego de cada ajuste, a fin de que el refrigerador llegue a la temperatura que usted configuró.

Configurar el control del refrigerador en Off detiene el enfriamiento en los compartimientos del freezer y del refrigerador, pero no apaga la corriente eléctrica del refrigerador.

Los niveles de los controles variarán según las preferencias personales, el uso y las condiciones de operación, y pueden requerir más de un ajuste. Los factores que afectan la temperatura incluyen la cantidad de alimentos en el refrigerador o congelador, la frecuencia con que se abre la puerta y la temperatura de los alimentos cuando se ponen en el refrigerador.

Estantes y compartimientos

No todas las características están presentes en todos los modelos.

Reorganización de los estantes

Los estantes en los compartimientos del refrigerador y del congelador son ajustables.

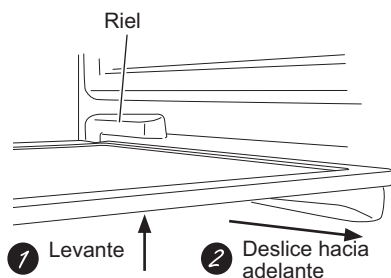
COMPARTIMIENTO DEL REFRIGERADOR

Estantes de ancho completo

La repisa descansa sobre un soporte moldeado de la pared lateral y se bloquea en un riel en la pared del gabinete trasero a cada lado.

Para quitar:

1. Levante la repisa a través del espacio del riel.
2. Deslice la repisa hacia delante a lo largo del riel.
3. Pull the shelf out of the unit.



Para volver a colocar:

Invierta los pasos anteriores para el retiro.

⚠ PRECAUCIÓN

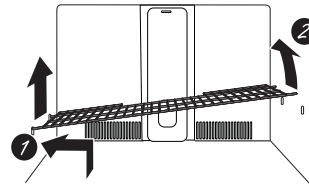
No limpie estantes de vidrio ni tapas con agua caliente cuando estén fríos. Los estantes de vidrio y las tapas se pueden romper si son expuestos a cambios de temperatura repentinos o impactos tales como sacudones o caídas. El vidrio templado está diseñado para destruirse en pequeñas piezas en caso de rotura.

No lave ninguna parte plástica del refrigerador en el lavavajillas.er.

Compartimiento del congelador

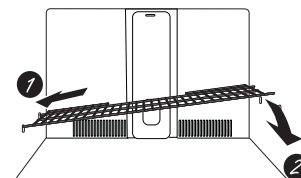
Para retirarlo:

1. Levante ambos lados de la repisa y deslice la misma hacia la izquierda, sobre el centro de los soportes de la repisa.
2. Rote el lado derecho del estante hacia arriba y fuera de los soportes del estante.



Para reemplazarlo:

1. Sosteniendo la repisa en diagonal, inserte el extremo izquierdo de la repisa en la parte superior de los soportes de la repisa en la pared lateral.
2. Inserte el extremo derecho del estante en los soportes del estante en la pared lateral. Descanse cada extremo del estante en el fondo de los soportes del estante.

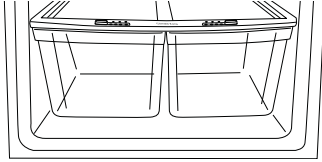


Cajones y recipientes

No todas las características están presentes en todos los modelos.

Gaveta preservadora de frutas y vegetales

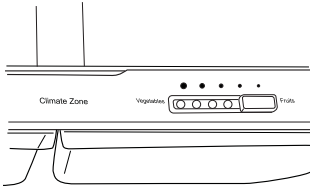
El exceso de agua que pueda acumularse al fondo de las gavetas debe retirarse y se deben limpiar las gavetas.



Gaveta preservadora de humedad ajustable

Deslice el control hasta la configuración Vegetables (Verduras) a fin de brindar el alto nivel de humedad recomendado para la mayor de las verduras.

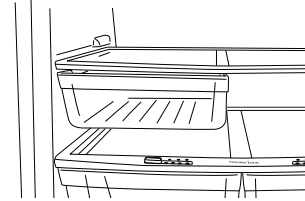
Deslice el control hasta la configuración Fruits (Frutas) a fin de brindar el bajo nivel de humedad recomendado para la mayor de las frutas.



Contenedor de meriendas

Este contenedor puede moverse a la ubicación más útil para las necesidades de su familia.

Para retirarla: Deslice el contenedor hacia fuera hasta la posición de freno, levante el contenedor y pase la posición de freno y levántela.



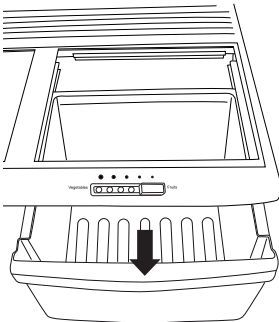
Cómo retirar la gaveta preservadora de alimentos

Desocupe el estante inferior antes de intentar retirar las gavetas de almacenamiento.

Para retirar:

Levante las gavetas hacia arriba ligeramente mientras las hala pasando por el punto del freno.

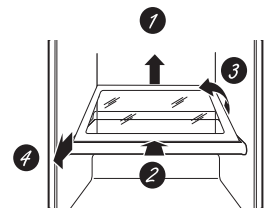
Si no puede quitar las gavetas a causa de la puerta, primero trate de sacar las bandejas de la puerta. Si esto no proporciona el espacio necesario, se necesitará hacer rodar el refrigerador hacia adelante hasta que la puerta se abra lo bastante para deslizar las gavetas hasta quitarlas. En algunos casos, cuando se hace rodar el refrigerador, hacia adelante se necesitará moverlo el refrigerador hacia la izquierda o derecha al mismo tiempo.



Para retirar la cubierta de vidrio:

Retire el vidrio, luego el marco. Cuando reemplace el vidrio, empuje el borde frontal firmemente en el marco.

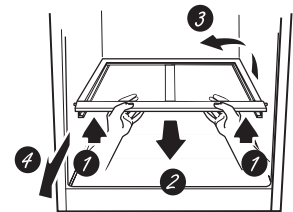
1. Empuje la cubierta de vidrio al posterior.
2. Deslice la cubierta de vidrio hacia atrás hasta que el borde frontal se salga del marco.
3. Rote el costado de la cubierta del vidrio hacia arriba.
4. Retire la cubierta de vidrio.



Para retirar la cubierta de vidrio

Para retirar el marco:

1. Levante el frente del marco usando ambas manos.
2. Deslice el marco hacia delante.
3. Rote el costado del marco hacia arriba.
4. Retire el marco.



Para retirar el marco

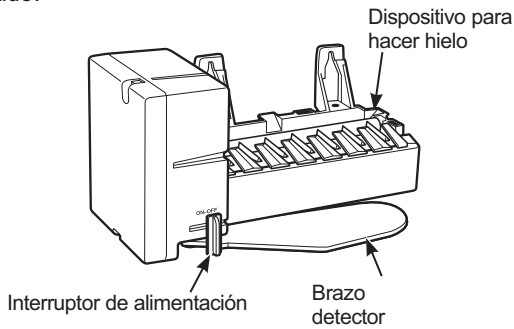
Máquina de hielos automática

Un refrigerador recientemente instalado puede tomar entre 12 y 24 horas para empezar a hacer hielo.

Máquina de hielos automática (en algunos modelos)

⚠ PRECAUCIÓN

Evite el contacto con las partes en movimiento del mecanismo expulsor o con el elemento de calefacción (ubicado en la parte inferior de la máquina de hielo) que expulsa los cubos. No coloque los dedos ni las manos en el mecanismo de la máquina de hielos automática mientras el refrigerador esté enchufado.



La máquina de hielos producirá aproximadamente 3 a 3-1/2 libras de hielo en un período de 24 horas, dependiendo de la temperatura del compartimiento del congelador, la temperatura del cuarto, el número de veces que se abre la puerta y otras condiciones de uso.

Si el refrigerador se utiliza antes de realizar la conexión del agua a la máquina de hielos, mueva el interruptor de corriente a OFF (Apagado).

Cuando el refrigerador haya sido conectado al suministro de agua, ajuste el interruptor de corriente en la posición ON (Encendido).

La máquina de hielos se llenará de agua cuando se enfríe hasta 15°F. Un refrigerador recién instalado se puede tomar entre 12 y 24 horas para empezar a hacer cubos de hielo.

Una vez que la máquina de hielos empieza a hacer hielo, puede tomar hasta 48 horas para llenar el compartimiento, dependiendo de los niveles de temperatura y del número de veces que se abra la puerta.

Escuchará un sonido de zumbido cada vez que la máquina de hielos se llene con agua.

Deseche los primeros cubos de hielo para permitir que la línea del agua se limpie.

Asegúrese de que nada interfiera con el movimiento del brazo indicador.

Cuando el contenedor se llene al nivel del brazo indicador, la máquina de hielos dejará de producir hielos.

Es normal que varios cubos de hielo se junten.

Si el hielo no se usa con frecuencia, los cubos de hielo viejo se volverán turbios, con sabor rancio, se encogerán o se junten.

NOTA: En hogares con presión de agua inferior al promedio, es posible que escuche el ciclo de la máquina de hielos varias veces al hacer un lote de hielo.

Kit de accesorios de la máquina de hielos

Si su refrigerador no viene ya equipado con una máquina de hielos automática, existe un kit accesorio para la máquina de hielos que está disponible por un costo adicional.

Controle en la parte trasera del refrigerador el kit específico de la máquina de hielos necesario para su modelo.

Cuidado y limpieza

Limpieza exterior

Las manijas de la puerta y accesorio. Limpie con un paño humedecido con agua jabonosa. Seque con un paño seco.

Mantenga el exterior limpio. Límpielo con un paño ligeramente humedecido con cera de cocina para electrodomésticos o detergente líquido suave para platos. Seque y brille con un paño limpio y seco.

Los paneles y las empuñaduras de las puertas de acero inoxidable (en algunos modelos) pueden ser limpiados con un limpiador para acero inoxidable para usos comerciales. Los limpiadores con ácido oxálico tales como Bar Keepers Friend Soft Cleanser eliminarán el óxido, deslustres y pequeñas manchas. Use sólo un limpiador líquido libre de

material abrasivo y frote en la dirección de las líneas del cepillo con una esponja suave y húmeda. No utilice cera para electrodomésticos sobre el acero inoxidable.

No limpie el refrigerador con un paño sucio para platos o con una toalla mojada. Estos pueden dejar residuos y pueden erosionar la pintura. No use almohadillas de restregar, limpiadores en polvo, blanqueadores o limpiadores que contengan blanqueadores ya que estos productos pueden raspar y debilitar el acabado de pintura.

Limpieza interior

Para ayudar a evitar olores, deje una caja abierta de bicarbonato en los compartimientos de alimentos frescos y en el congelador.

Desconecte el refrigerador antes de limpiarlo.

Si esto no es práctico, escurra la humedad excesiva con una esponja o paño al limpiar alrededor de los interruptores, luces o controles.

Use una solución de agua tibia y bicarbonato—una cucharada (15 ml) de bicarbonato para un cuarto (1 litro) de agua. Esto limpia y neutraliza los olores. Enjuague y seque.

No limpie con productos que contengan detergente, lejía o amoníaco. Pueden dañar el refrigerador.

Después de limpiar las juntas de la puerta, aplique una fina capa de vaselina a las juntas sobre el lado de la bisagra. Esto ayuda a que las juntas no se peguen y que no se deformen. No utilice polvos limpiadores u otros limpiadores abrasivos.

⚠ PRECAUCIÓN

No limpie estantes de vidrio ni tapas con agua caliente cuando estén fríos. Los estantes de vidrio y las tapas se pueden romper si son expuestos a cambios de temperatura repentinos o impactos tales como sacudones o caídas. El vidrio templado está diseñado para destruirse en pequeñas piezas en caso de rotura.

No lave ninguna parte plástica del refrigerador en la lavadora de platos.

Condensador

Dependiendo del modelo, el condensador se encontrará ubicado cerca del compresor o detrás de la pared trasera. Si el condensador se encuentra cerca del compresor, no hay necesidad de una limpieza de rutina del condensador en ambientes de operación de hogares normales. Sin embargo, en ambientes que puedan ser particularmente polvorientos o grasosos, el condensador debe limpiarse periódicamente para una operación eficiente del refrigerador.

Cómo limpiar el condensador:

Pásele un trapo o la aspiradora para deshacerse del polvo.

⚠ ADVERTENCIA

A fin de reducir el riesgo de muerte o de descargas eléctricas, se deberán seguir estas instrucciones:

- **Desenchufe el refrigerador antes de retirar cualquier panel.**
- **No genere contacto ni dañe cualquier cable mientras el panel es retirado.**
- **Reemplace todas las piezas y paneles antes de volver a enchufar el refrigerador.**

Cuidado y limpieza

Cómo Mover el Refrigerador

Tenga cuidado al mover el refrigerador lejos de la pared. Todos los tipos de cubiertas de piso se pueden dañar, particularmente las cubiertas acojinadas y aquellas con superficies con diseños en relieve.

Gire las patas niveladoras en cada esquina del refrigerador en contra de las agujas del reloj, hasta que las mismas apoyen el refrigerador. Hale el refrigerador en línea recta y regréselo a su posición empujándolo de la misma forma.

Mover el refrigerador en una dirección lateral puede resultar en daños a la superficie del piso o al refrigerador.

⚠️ ADVERTENCIA



RIESGO DE

DESCARGA ELÉCTRICA

Cuando empuje de nuevo el refrigerador, asegúrese de no pisar el cable eléctrico o la línea de suministro a la máquina de hielos (en algunos modelos).

Luego de volver a ubicar el refrigerador en su posición, gire las patas en dirección de las agujas del reloj, hasta que las patas vuelvan a sostener el peso del refrigerador.

Cómo prepararse para las vacaciones

Para una largas vacaciones o ausencias, retire los alimentos y desconecte el refrigerador. Gire el disco de control de la temperatura hacia la posición Off (apagado), y limpie el interior con una solución de una cucharada de bicarbonato (15 ml) y un cuarto (1 litro) de agua. Deje las puertas abiertas.

Configure el interruptor de corriente de la máquina de hielos a la posición OFF (Apagado) y cierre el suministro de agua que abastece el refrigerador.

Si la temperatura puede caer por debajo del punto de congelamiento, haga que una persona calificada drene el sistema del suministro de agua (en algunos modelos) para evitar serios daños a la propiedad causados por inundaciones.

Cómo prepararse para trasladarse

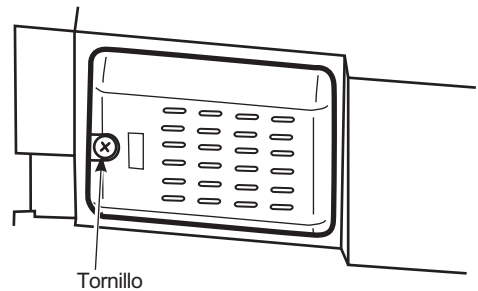
Asegure todos los artículos sueltos como la rejilla, los estantes y cajones pegándolos con cinta en su lugar para evitar daños. A fin de evitar la apertura de puertas durante el movimiento, asegure las mismas al cuerpo con cinta.

Asegúrese de que el refrigerador permanezca en una posición vertical durante el traslado.

Cómo reemplazar la bombilla

Girar el control a la posición OFF (apagado) no elimina la corriente en el circuito de luces.

1. Desconecte el refrigerador.
2. Remove the top shelf (if necessary).
3. La lámpara de luz está ubicada detrás de un lente de luz en el techo de la sección del refrigerador. Retire los lentes de luz, quitando el único tornillo presente con un destornillador de cabeza Phillips.
4. Reemplácela con una bombilla de electrodomésticos del mismo o de inferior voltaje.
5. Reemplace los lentes de luz.
6. Conecte de nuevo el refrigerador.



Installation para la Instalación

Refrigerador Modelos GTE21 y GIE21

¿Preguntas? Llame a 800.GE.CARES (800.432.2737) o visite nuestro sitio web en: GEAppliances.com
 En Canadá, llame al 1.800.561.3344 o visite nuestro Sitio Web en: GEAppliances.ca

ANTES DE EMPEZAR

Lea estas instrucciones completa y cuidadosamente.

- **IMPORTANTE** — Guarde estas instrucciones para uso del inspector local.
- **IMPORTANTE** — Observe todos los códigos y órdenes de ley.
- **Note to Installer** — Asegúrese de dejar estas instrucciones con el consumidor.
- **Note to Consumer** — Conserve estas instrucciones para referencia futura.
- **Skill level** — La instalación de este aparato requiere de destrezas mecánicas básicas.
- **Completion time**—Instalación del refrigerador 15 minutos
- La instalación apropiada es la responsabilidad del instalador.
- La falla del producto debido a una instalación inadecuada no está cubierta por la garantía.

ÁREA

Permita el siguiente espacio para una fácil instalación, apropiada circulación del aire y conexiones de plomería y eléctricas.

- Costados 1/8" (3 mm)
- Arriba 1/8" (3 mm)
- Atrás 1" (25 mm)

Si el refrigerador será instalado junto a una pared del lado de la bisagra, deje un espacio de apertura de la puerta de 5/16" (8 mm).

SUMINISTRO DE AGUA HACIA LA MÁQUINA DE HIELOS (en algunos modelos)

Si el refrigerador cuenta con una máquina de hacer hielo, deberá ser conectada al suministro de agua fría. Un kit de suministro de agua de GE Appliances (que contenga tubería, válvula de cierre, uniones e instrucciones) está disponible por un costo adicional a nivel minorista, visitando nuestro sitio web en GEAppliances.com (en Canadá en geappliances.ca) o en Parts and Accessories (Piezas y Accesorios), 877.959.8688

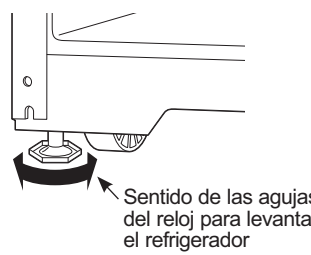
RUEDAS Y PATAS NIVELADORAS

Las patas niveladoras cerca de cada esquina frontal del refrigerador son ajustables. Las mismas posicionan de manera firme el refrigerador y evitan que se mueva cuando las puertas son abiertas. Las patas niveladoras se deberían ajustar de modo que el frente del refrigerador sea elevado lo suficiente como para que las puertas se cierren con facilidad al ser abiertas hasta la mitad de sus recorridos.

Gire las patas niveladoras en dirección de las agujas del reloj para levantar el refrigerador, y en contra de las agujas del reloj para bajarlo.

Las ruedas junto a las patas niveladoras le permiten alejar el refrigerador de la pared para su limpieza.

Gire las patas en contra de las agujas del reloj, hasta que el peso del refrigerador sea transferido de las mismas a las ruedas. Luego de volver a ubicar el refrigerador en su posición, gire las patas en dirección de las agujas del reloj, hasta que las mismas vuelvan a sostener el peso del refrigerador.



UBICACIÓN DEL REFRIGERADOR

- No instale el refrigerador donde las temperaturas sean inferiores a 55°F (12.7°C), ya que no se mantendrá en funcionamiento el tiempo suficiente para conservar las temperaturas adecuadas.
- No instale el refrigerador donde la temperatura sea superior a los 100°F (37°C), ya que no funcionará de forma correcta.
- No instale el refrigerador en una ubicación expuesta al agua (lluvia, etc.) o en contacto directo con la luz solar.
- Instale el refrigerador en un piso lo suficientemente fuerte como para soportarlo completamente cargado.

Instrucciones para la instalación

INSTALACIÓN DE LA TUBERÍA DEL AGUA

ANTES DE INICIAR

Los kits de cobre recomendados para el suministro de agua son WX8X2, WX8X3 o WX8X4, dependiendo de la cantidad de tubería necesaria. Las tuberías plásticas aprobadas para el suministro de agua son las tuberías para el refrigerador SmartConnect™ (WX08X10002, WX08X10006, WX08X10015 y WX08X10025).

Al conectar su refrigerador a un Sistema de Agua de Ósmosis Inversa de GE Appliances, la única instalación aprobada es con un kit de Ósmosis Inversa de GE Appliances. Para otros sistemas de agua de ósmosis inversa, siga las instrucciones del fabricante.

Si la alimentación de agua a su refrigerador proviene de un sistema de filtración de agua de ósmosis inversa Y el refrigerador también cuenta con un filtro de agua, use el tapón de derivación del filtro del refrigerador. El uso conjunto del cartucho de filtración de agua del refrigerador con el filtro de RO (ósmosis inversa) pudiera resultar en la producción de cubos de hielo huecos y en un caudal de agua más lento del dispensador de agua.

Esta instalación de la tubería del agua no está garantizada por el fabricante del refrigerador o de la máquina de hielos. Siga estas instrucciones cuidadosamente para minimizar el riesgo de un daño costoso debido al agua.

El martilleo del agua (agua golpeando contra la tubería) en la tubería de la casa puede causar daños a las partes del refrigerador y conducir a un goteo o inundación por el agua. Llame a un plomero calificado para corregir el martilleo del agua antes de instalar la tubería del agua al refrigerador. Para evitar quemaduras y daños con el producto, no conecte la tubería del agua a la tubería del agua caliente.

Si usa el refrigerador antes de conectar la tubería, asegúrese de que el interruptor de corriente de la máquina de hielos esté en la posición OFF (apagado).

No instale la tubería de la máquina de hielos en lugares donde la temperatura caiga por debajo del nivel de congelamiento.

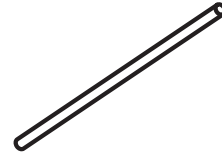
Al usar cualquier aparato eléctrico (como un taladro eléctrico) durante la instalación, asegúrese de que el aparato esté aislado o conectado de manera que evite el peligro de una descarga eléctrica, o se opere por baterías.

Todas las instalaciones se deben realizar según los requisitos del código local de plomería.

⚠ ADVERTENCIA

Conecte al suministro de agua potable únicamente.

QUÉ NECESITA



- Kit de tubería de cobre para el refrigerador o SmartConnect™, 1/4" de diámetro externo para conectar el refrigerador al suministro de agua. Si usa cobre, asegúrese de que ambos extremos de la tubería se corten uniformemente.

Para determinar la cantidad de tubería que necesita: mida la distancia desde la válvula del agua en la parte posterior del refrigerador hasta el tubo de suministro de agua. Luego agregue 8" (2,4 m). Asegúrese de que haya suficiente tubería adicional (unos 8" [2,4 m] enrollado en tres vueltas de unas 10" [25 cm] de diámetro) para permitir que el refrigerador se pueda mover de la pared después de la instalación.

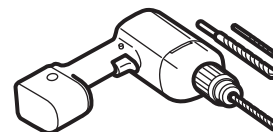
Los kits de tubería para el refrigerador SmartConnect™ están disponibles en las siguientes longitudes:

2' (.6 m)	– WX08X10002
8' (2.4 m)	– WX08X10006
15' (4.6 m)	– WX08X10015
25' (7.6 m)	– WX08X10025

Asegúrese de que el kit que haya seleccionado permita al menos 8" (2,4 m) como se describe arriba.

NOTA: La única tubería de plástico aprobada de GE Appliances es la que viene provista con los kits de tubería para el refrigerador SmartConnect™. No use ninguna otra tubería plástica para el suministro del agua ya que la tubería está bajo presión todo el tiempo. Ciertos tipos de plástico se fracturarán o se romperán con el tiempo y causarán daños en su casa debido al agua.

- Un kit de suministro de agua de GE Appliances (contiene tubería, válvula de cierre y accesorios enumerados abajo) está disponible a un costo adicional en su tienda o por medio de Partes y Accesorios, 877.959.8688.
- Un suministro de agua fría. La presión del agua debe estar entre 20 y 120 p.s.i. (138-827 kilopascals) en modelos sin filtro de agua y entre 40 y 120 p.s.i. (275-827 kilopascals) en modelos con filtro de agua.



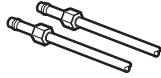
- Taladro eléctrico.
- Llave de 1/2" o ajustable.
- Destornillador plano y de estrella.

Instrucciones para la instalación

INSTALACIÓN DE LA TUBERÍA DEL AGUA (Cont.)

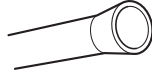
QUÉ NECESITA (Cont.)

- Dos tuercas de compresión de 1/4" de diámetro exterior y 2 férulas (mangas)—para conectar la tubería de cobre a la válvula de cierre y la válvula del agua del refrigerador.

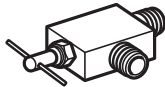


O BIEN

- Si está usando un kit de tubería para el refrigerador SmartConnect™, los accesorios necesarios ya vienen preinstalados en la tubería.



- Si su tubería existente de cobre para el agua tiene un accesorio con vuelo en el extremo, necesitará un adaptador (disponible en las tiendas de suministros de plomería) para conectar la línea del agua al refrigerador O BIEN, podrá cortar el accesorio con vuelo con un cortador de tubos y luego usar un accesorio de compresión. No corte el extremo formado de la tubería para el refrigerador SmartConnect.



- Válvula de cierre para conectar a la línea del agua fría. La válvula de cierre deberá tener una entrada de agua con un diámetro interno mínimo de 5/32" en el punto de conexión a la TUBERÍA DEL AGUA FRÍA. Las válvulas de apagado tipo silla vienen incluidas en muchos kits de suministro de agua. Antes de comprar, asegúrese de que una válvula tipo silla cumple con los códigos de plomería en su localidad.

Instale la válvula de cierre en la tubería del agua de consumo más frecuentemente utilizada.

1 CIERRE EL SUMINISTRO PRINCIPAL DE AGUA

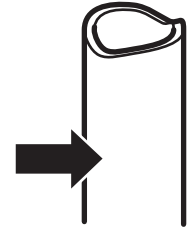
Abra el grifo más cercano por suficiente tiempo para limpiar la tubería del agua.

⚠ ADVERTENCIA

A fin de reducir el riesgo de descarga eléctrica o lesión durante la instalación, primero deberá desenchufar el refrigerador antes de proceder.

2 SELECCIONE LA UBICACIÓN DE LA VÁLVULA

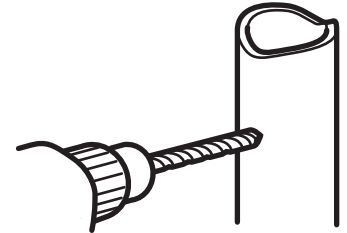
Seleccione una ubicación para la válvula que sea fácilmente accesible. Es mejor conectarla en el costado de una tubería vertical de agua. Cuando sea necesario conectarla en una tubería horizontal de agua, haga la conexión en la parte superior o al lado, en vez de hacerlo en la parte de abajo, para evitar retirar cualquier sedimento de la tubería del agua.



3 PERFORE EL ORIFICIO PARA LA VÁLVULA

Perfore un orificio de 1/4" en la tubería del agua (incluso si está usando una válvula auto perforadora), usando una broca afilada. Retire cualquier sobrante que resulte de perforar el orificio en la tubería.

Tenga cuidado de no permitir que se filtre agua hacia el taladro. No perforar un orificio de 1/4" puede resultar en menor producción de hielo o cubos más pequeños.



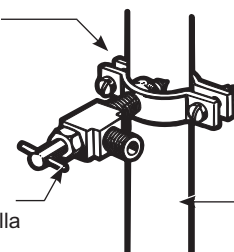
4 INSTALE LA VÁLVULA DE CIERRE

Una la válvula de cierre a la tubería de agua fría con la abrazadera para el tubo.

NOTA: Se deberán seguir los Códigos 248CMR de Plomería para el Estado de Massachusetts. Las válvulas tipo silla son ilegales y su uso no está permitido en Massachusetts. Consulte con un plomero licenciado.

Abrazadera para el tubo

Válvula de cierre tipo silla



Tubería vertical de agua fría

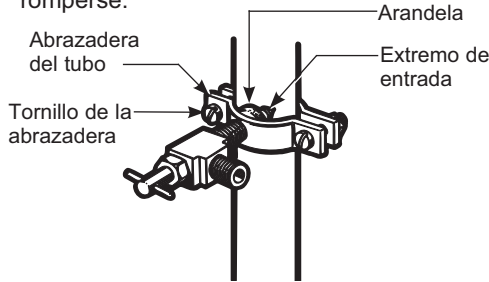
Instrucciones para la instalación

INSTALACIÓN DE LA TUBERÍA DEL AGUA (cont.)

5 APRIETE LA ABRAZADERA DEL TUBO

Apriete los tornillos de la abrazadera hasta que la arandela sellante empiece a hincharse.

NOTA: No apriete demasiado la tubería ya que podría romperse.



NOTA: Se deberán seguir los Códigos 248CMR de Plomería para el Estado de Massachusetts. Las válvulas tipo silla son ilegales y su uso no está permitido en Massachusetts. Consulte con un plomero licenciado.

8 LAVE LA TUBERÍA

Abra el suministro principal de agua y lave la tubería hasta que el agua esté limpia.

Cierre el agua en la válvula después de que un cuarto (1 litro) de agua se haya eliminado por la tubería.



6 DIRIJA LA TUBERÍA

Dirija la tubería entre la línea del agua fría y el refrigerador.

Dirija la tubería a través de un orificio perforado en la pared o en el piso (detrás del refrigerador o del gabinete de la base adyacente) lo más cerca posible a la pared.

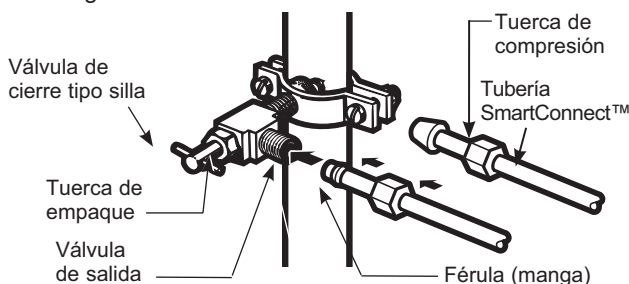
NOTA: Asegúrese de que haya suficiente tubería adicional (unos 8' [244 cm] enrollada en tres vueltas de alrededor de 10" [25 cm] de diámetro) para permitir que el refrigerador se pueda mover de la pared después de la instalación.

7 CONCTE LA TUBERÍA A LA VÁLVULA

Coloque la tuerca de compresión y férula para la tubería de cobre (manga) en el extremo de la tubería y conéctela a la válvula de cierre.

Asegúrese de que la tubería esté completamente insertada en la válvula. Apriete la tuerca de compresión firmemente.

Para tubería de plástico de un kit de tubería para el refrigerador SmartConnect™, inserte el extremo moldeado de la tubería en la válvula de cierre y apriete la tuerca de compresión hasta que esté firmemente apretada a mano, luego apriete otro giro con una llave. Apretar demasiado puede causar fugas.



9 CONCTE LA TUBERÍA AL REFRIGERADOR

NOTAS:

- Antes de hacer la conexión al refrigerador, asegúrese de que el cable de corriente del refrigerador no esté conectado en el tomacorriente de la pared.
- Si su refrigerador no tiene un filtro de agua, recomendamos la instalación de uno si su suministro de agua tiene arena o partículas que podrían obstruir la malla de la válvula de agua del refrigerador. Instálelo en la tubería del agua cerca al refrigerador. Si usa un kit de tubería para el refrigerador SmartConnect™, necesitará un tubo adicional (WX08X10002) para conectar el filtro. No corte la tubería plástica para instalar el filtro.

⚠ ADVERTENCIA A fin de reducir el riesgo de muerte o de descargas eléctricas, se deberán seguir estas instrucciones:

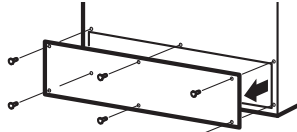
- **Desenchufe el refrigerador antes de retirar cualquier panel.**
- **No dañe ningún cable mientras el panel es retirado.**
- **Reemplace todas las piezas y paneles antes de volver a enchufar el refrigerador.**

Instrucciones para la instalación

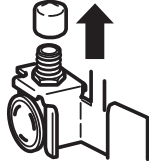
INSTALACIÓN DE LA TUBERÍA DEL AGUA (cont.)

9 CONCTE LA TUBERÍA AL REFRIGERADOR (cont.)

Si su refrigerador cuenta con una tapa de acceso, retire la misma.



Retire la tapa flexible de plástico de la válvula del agua (conexión del refrigerador).



Coloque la tuerca de compresión y la férula (manga) en el extremo de la tubería como se muestra. En el kit de tubería para el refrigerador SmartConnect, las tuercas ya vienen armadas con la tubería.

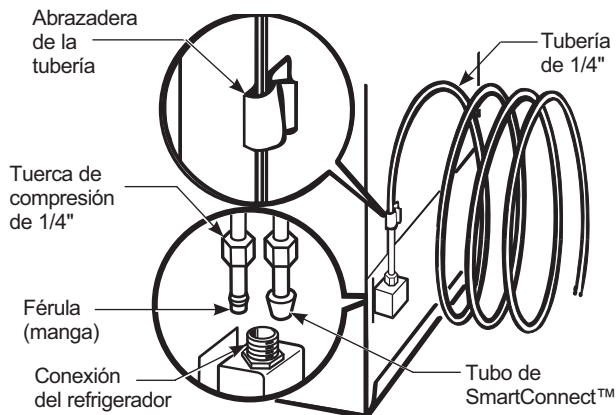
Inserte el extremo de la tubería en la conexión de la válvula del agua lo más que se pueda. Mientras sostiene la tubería, apriete el accesorio.

Para tubería de plástico de un kit de tubería para el refrigerador SmartConnect, inserte el extremo moldeado de la tubería en la conexión del refrigerador y apriete la tuerca de compresión hasta que esté firmemente apretada a mano, luego apriete otra vuelta con una llave. Apretar demasiado puede causar fugas.

Una la tubería a la abrazadera provista para sostenerla en una posición vertical. Quizás necesite apalancar la abrazadera.

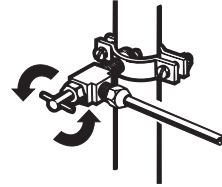
⚠ ADVERTENCIA PELIGRO DE DESCARGA ELÉCTRICA

Adhiera la abrazadera de la tubería usando el agujero existente únicamente. NO perforo el refrigerador.

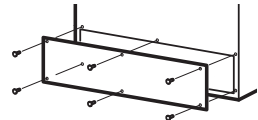


10 ABRA LA LLAVE DEL AGUA EN LA VALVULA DE CIERRE

Apriete cualquier conexión que pueda presentar fugas.

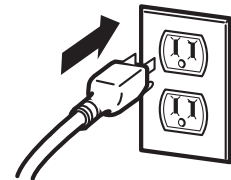


Si su refrigerador cuenta con una tapa de acceso, vuelva a colocar la misma.

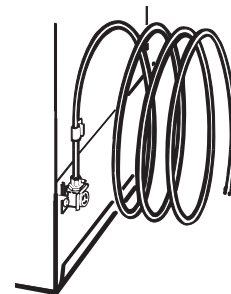


11 CONECTE EL REFRIGERADOR

Enchufe el refrigerador.

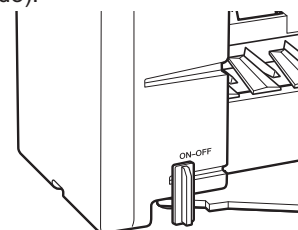


Acomode la bobina de la tubería de modo que no vibre contra la parte trasera del refrigerador ni contra la pared. Vuelva a colocar el refrigerador contra la pared.



12 INICIE LA MÁQUINA DE HIELOS

Configure el interruptor de corriente de la máquina de hielos en la posición ON (Encendido). La máquina de hielos no comenzará a funcionar hasta que alcance su temperatura de funcionamiento de 15°F (- 9°C) o menos. Luego comenzará a funcionar de forma automática si el interruptor de corriente de la máquina de hilos está en la posición ON (Encendido).



Instrucciones para la instalación

INSTRUCCIONES PARA LA INSTALACIÓN DE LA MÁQUINA DE HIELOS

ANTES DE EMPEZAR

Lea cada paso completamente antes de proceder.

⚠ ADVERTENCIA Desconecte el refrigerador. Para eliminar el peligro de una descarga eléctrica durante la instalación, debe desconectar el refrigerador de su tomacorriente.



HERRAMIENTAS NECESARIAS



Destornillador plano y
Phillips



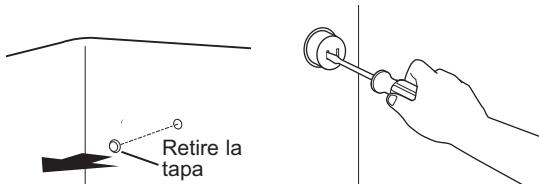
Alicates



Cuchillo
afilado

1 RETIRE LA TAPA BLANCA Y LA CUBIERTA DEL ENCHUFE

- Retire la cubierta del enchufe con un destornillador de pala plana ubicada en la pared izquierda o la pared posterior del congelador, cerca de la parte superior.
- Retire y deseche la tapa blanca de la esquina superior izquierda de la pared del congelador.



2 VUELVA A POSICIONAR LA REPISA DEL FREEZER

Asegúrese de que la repisa del freezer esté en la posición más baja.

3 PREPARACIÓN PARA LA INSTALACIÓN

Para la unidad sin la máquina de hielos instalada de fábrica, hay una etiqueta con instrucciones en la parte trasera de la unidad donde se indica qué método de instalación se debe usar. Siga atentamente el manual de instalación de la máquina de hielos, incluido con el kit de la máquina de hielos para completar la instalación de la misma.

Instrucciones para la instalación

CÓMO INVERTIR EL VAIVÉN DE LA PUERTA

⚠ ADVERTENCIA

Siga todos los pasos al invertir la dirección de apertura de la puerta. Si no se siguen estas instrucciones, dejando piezas sin uso o ajustando tornillos en exceso, esto podrá hacer que la puerta se caiga y producir lesiones y daños sobre la propiedad.

NOTAS IMPORTANTES

Al invertir el vaivén de la puerta:

- Lea las instrucciones completamente antes de empezar.
- Maneje las partes con cuidado para evitar raspar la pintura.
- Ponga los tornillos con su parte correspondiente para evitar usarlas en el lugar equivocado.
- Disponga de una superficie de trabajo que no se raspe para las puertas.

IMPORTANTE: Una vez que empiece, no mueva el gabinete hasta que haya completado el proceso de invertir el vaivén de la puerta.

Estas instrucciones son para cambiar las bisagras del lado derecho al izquierdo, si alguna vez desea cambiar las bisagras al lado derecho nuevamente, siga las mismas instrucciones e invierta toda las referencias hacia la izquierda y derecha.

Desconecte el refrigerador de su toma corriente eléctrico.

NOTA: No permita que ninguna de las puertas caiga al piso. Esto podría dañar la traba de la puerta.

⚠ PRECAUCIÓN

Riesgo al Levantar

La Puerta de Comidas Frescas y del Freezer son pesadas. Use ambas manos para asegurar las puertas antes de levantarlas.

HERRAMIENTAS REQUERIDAS



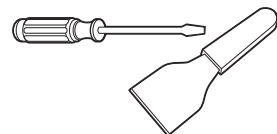
Destornillador de estrella



Llave de cubo y trinquete de 5/16"



Cinta de enmascarar



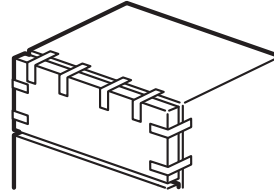
Cuchillo para masilla (espátula) o destornillador delgado



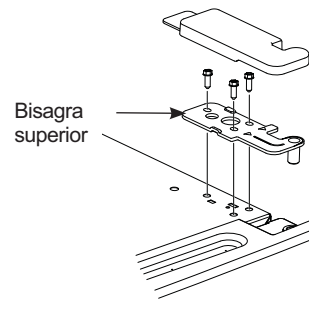
Llave Allen (Modelos con Manija de Acero Inoxidable)

1 RETIRE LA PUERTA DEL CONGELADOR

1. Retire toda la comida del cobertor interno del horno.
2. Pegue la puerta cerrada con cinta de enmascarar.

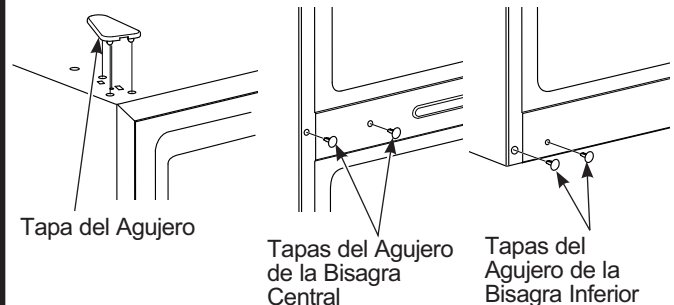


3. Retire la tapa de la bisagra que están en la parte superior de la puerta con un destornillador de punta fina.
4. Quite los tres tornillos con una llave de cubo y trinquete de 5/16", luego levante la bisagra directo hacia arriba para liberar el perno de la bisagra del casquillo en la parte superior de la puerta.



5. Retire la cinta e incline la puerta hacia fuera del gabinete. Levántela del perno de la bisagra del centro.
6. Retire las tapas de los agujeros con una espátula del lado opuesto de las tres bisagras.

NOTA: Las tapas de los agujeros de la bisagra central y los agujeros de la bisagra inferior son diferentes. Asegúrese de mantenerlos separados.



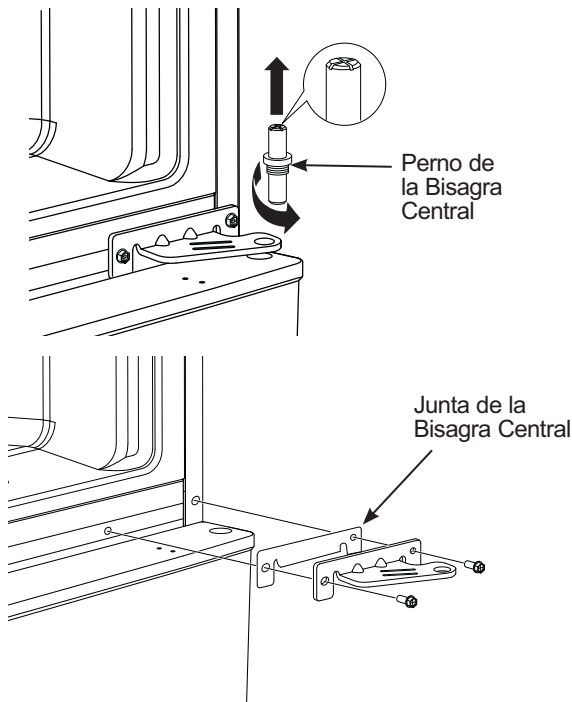
7. Ponga la puerta en una superficie que no se raye con la parte exterior hacia arriba.

Instrucciones para la instalación

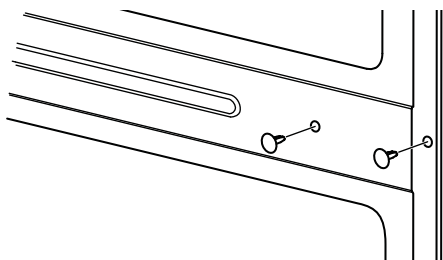
CÓMO INVERTIR EL VAIVÉN DE LA PUERTA (Cont.)

2 RETIRE LA PUERTA DEL REFRIGERADOR

1. Retire toda la comida del cobertor interno del horno.
2. Cierre la puerta y péguela con cinta de enmascarar.
3. Retire la clavija de la bisagra central usando un destornillador con cabeza Phillips.
4. Quite la bisagra central removiendo los dos tornillos de bisagra con una llave de cubo y trinquete de 5/16". Conserve la bisagra central, el perno de la bisagra, los tornillos y la junta de la bisagra central.

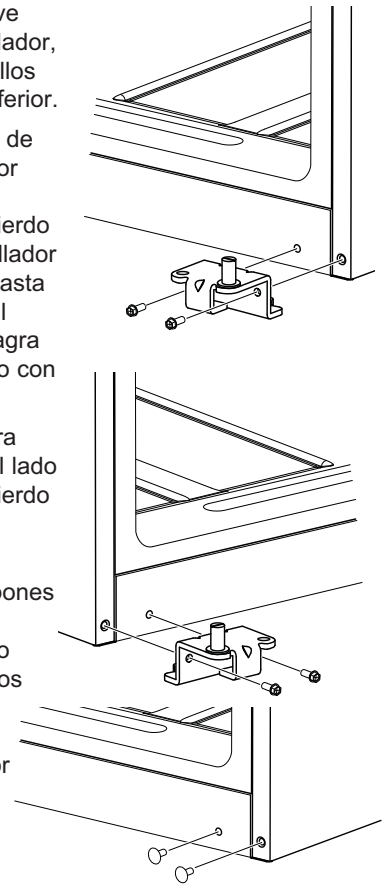


5. Retire la cinta e incline la puerta lejos del gabinete. Levante la puerta para liberar el casquillo inferior del perno en el soporte de la bisagra inferior.
6. Ponga la puerta hacia arriba en una superficie que no raye.
7. Instale los 2 enchufes de los agujeros del lado opuesto del gabinete a los agujeros del tornillo que está vacío por el retiro de la bisagra central.



3 TRANSFIERA LA BISAGRA CENTRAL A LA IZQUIERDA

1. Usando una llave tubo y destornillador, retire los 2 tornillos de la bisagra inferior.
2. Mueva el perno de la bisagra inferior desde el lado derecho al izquierdo con un destornillador de punta fina, hasta que el borde del perno de la bisagra esté en contacto con la bisagra.
3. Mueva la bisagra inferior desde el lado derecho al izquierdo y ajuste los 2 tornillos.
4. Instale los 2 tapones de los agujeros del lado opuesto del gabinete a los agujeros del tornillo que están vacíos por el retiro de la bisagra inferior.

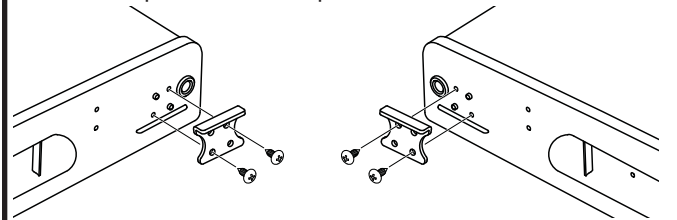


▲ ADVERTENCIA

Siga todos los pasos al invertir la dirección de apertura de la puerta. Si no se siguen estas instrucciones, dejando piezas sin uso o ajustando tornillos en exceso, esto podrá hacer que la puerta se caiga y producir lesiones y daños sobre la propiedad.

4 TRANSFIERA LA TRABA DE LA PUERTA A LA IZQUIERDA

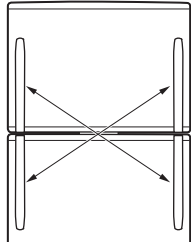
1. Tanto en las puertas del refrigerador como en las del freezer, retire los tornillos de la traba de la puerta de la derecha con un destornillador Phillips.
2. Instale la traba de la puerta sobre la parte izquierda de cada puerta.



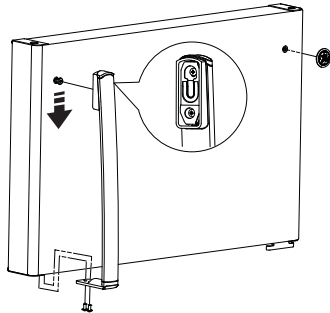
Instrucciones para la instalación

CÓMO INVERTIR EL VAIVÉN DE LA PUERTA (Cont.)

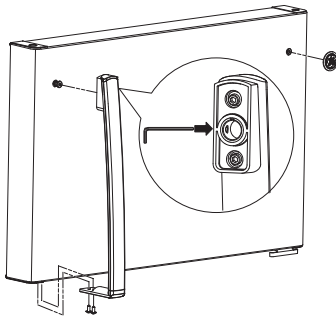
3 CÓMO INVERTIR LAS MANIJAS DE LA PUERTA – CAMBIE LA MANIJA DE LA PUERTA DEL CONGELADOR AL LADO DERECHO DE LA PUERTA DEL REFRIGERADOR



1. Quite los dos tornillos que sujetan el extremo inferior de la manija con un destornillador Phillips y retire la insignia de GE Appliances.



2. Para manijas de plástico: Empuje la manija hacia abajo y afuera del sujetador de la puerta.

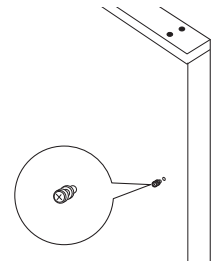


Para manijas de acero inoxidable: Afloje el conjunto de tornillos con la llave de 1/8" y retire la manija.

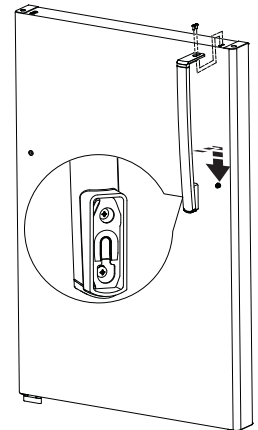
3. Retire el sujetador desde la superficie de la puerta del freezer, y cubra el Nuevo agujero vacío con la Insignia de GE Appliances. (Para una unidad nueva, la Insignia de GE Appliances puede ser encontrada en el kit de su manija. Si necesita una nueva insignia, llame al 800. GE.CARES (800.432.2737) (en Canadá, llame al 800.561.3344).

3 CÓMO INVERTIR LAS MANIJAS DE LA PUERTA – CAMBIE LA MANIJA DE LA PUERTA DEL CONGELADOR AL LADO DERECHO DE LA PUERTA DEL REFRIGERADOR (Cont.)

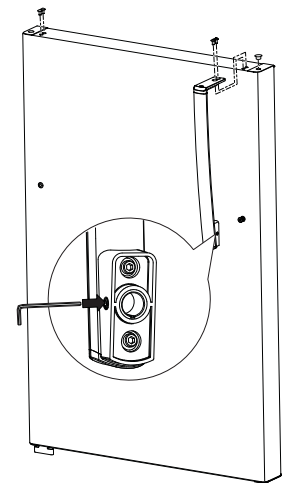
4. Retire el tapón de la superficie del lado derecho de la puerta del refrigerador e inserte el sujetador con un destornillador Phillips.



5. Para manijas de plástico: Ajuste la manija a la puerta de comidas frescas sobre el suspensor y deslice la misma hacia abajo para que quede bloqueada con los tornillos en la parte superior de la manija.



Para manijas de acero inoxidable: Adhiera la manija a la puerta de comidas frescas con tornillos en la parte superior de la manija. Use la llave allen de 1/8" para ajustar el tornillo correspondiente en la parte inferior de la manija.



NOTA: No ajuste de más.

Instrucciones para la instalación

CÓMO INVERTIR EL VAIVÉN DE LA PUERTA (Cont.)

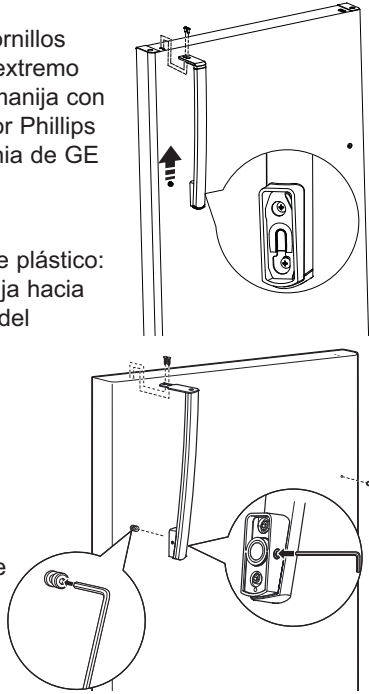
4 CÓMO INVERTIR LAS MANIJAS DE LA PUERTA – CAMBIE LA MANIJA DE LA PUERTA DEL REFRIGERADOR AL LADO DERECHO DE LA PUERTA DEL CONGELADOR

1. Quite los dos tornillos que sujetan el extremo superior de la manija con un destornillador Phillips y retire la insignia de GE Appliances.

2. Para manijas de plástico: Empuje la manija hacia arriba y afuera del sujetador de la puerta.

Para manijas de acero inoxidable: Afloje el tornillo correspondiente con la llave de 1/8" y retire la manija.

3. Retire el sujetador desde la superficie de la puerta del refrigerador, y cubra el nuevo agujero vacío con el tapón del lado opuesto.



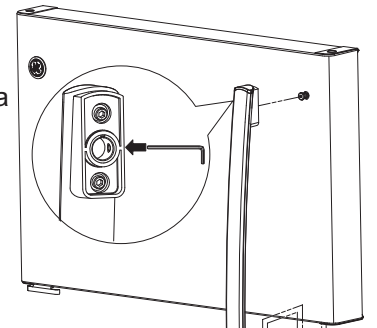
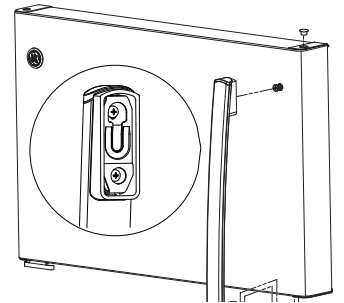
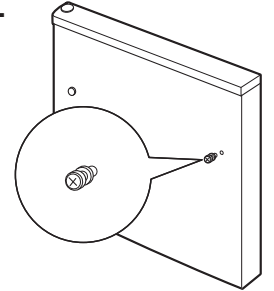
4 CÓMO INVERTIR LAS MANIJAS DE LA PUERTA – CAMBIE LA MANIJA DE LA PUERTA DEL REFRIGERADOR AL LADO DERECHO DE LA PUERTA DEL CONGELADOR (Cont.)

4. Inserte el sujetador en la superficie del lado derecho de la puerta del freezer con un destornillador Phillips.

5. **Para manijas de plástico:** Ajuste la manija a la puerta del freezer sobre el suspensor y deslice la misma hacia arriba para que quede bloqueada con los tornillos en la parte inferior de la manija.

Para manijas de acero inoxidable: Ajuste la manija a la puerta del freezer con tornillos en la parte inferior de las manijas. Use una llave allen de 1/8" para ajustar el tornillo correspondiente en la parte superior de la manija.

NOTA: No ajuste de más.

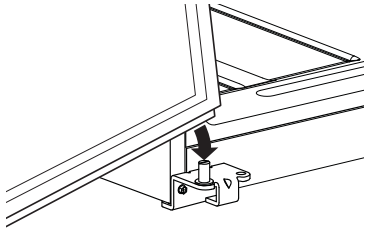


Instrucciones para la instalación

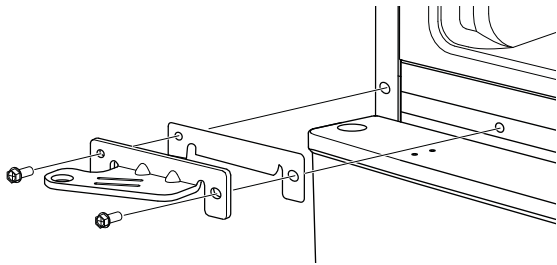
REVERSING THE DOOR SWING (Cont.)

5 VUELVA A COLGAR LA PUERTA DEL REFRIGERADOR

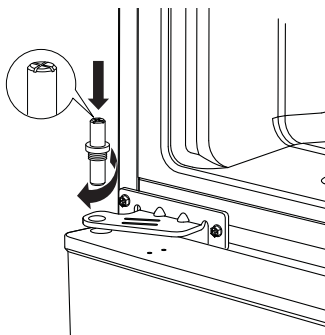
1. Baje la puerta del refrigerador al perno de la bisagra inferior.



2. Mientras sostiene la puerta de forma segura, alinee la ficha en la puerta con el agujero en la bisagra central. Ajuste la bisagra central y la junta con dos tornillos con una ficha de 5/16" y trinquete.

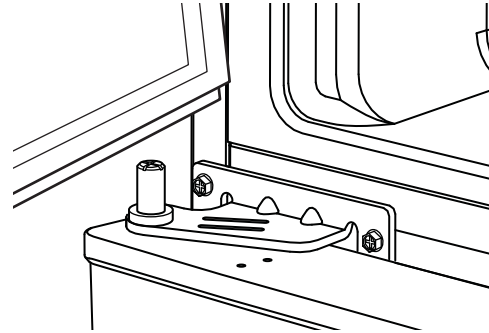


3. Controle la alineación entre la ficha de la puerta y el agujero de la bisagra central. Inserte el perno de la bisagra en la bisagra central y ajuste con un destornillador Phillips, hasta que el borde del perno de la bisagra entre en contacto con la bisagra central.

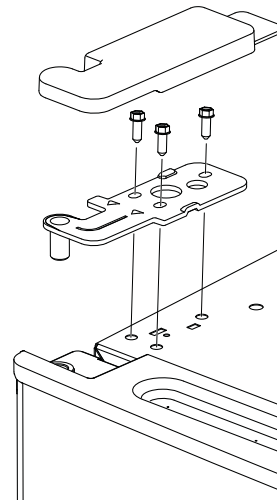


8 VUELVA A COLGAR LA PUERTA DEL CONGELADOR

1. Baje la puerta del congelador al perno de la bisagra central.



2. Coloque la bisagra superior izquierda de modo que el perno coincida con la ficha de la puerta. (La bisagra superior izquierda y la tapa se pueden encontrar dentro del producto. Llame al Servicio de Ge al 800.GE.CARES (800.432.2737 o en Canadá llame al 800.561.3344 en caso de faltar piezas.) Descanse la puerta en el costado de la manija y asegúrese de que la puerta esté recta y el espacio entre las puertas sea uniforme incluso en el frente. Mientras sostiene la puerta en su lugar, apriete los tornillos de la bisagra superior. No ajuste en exceso estos tornillos. Presione los mismos hasta que queden ajustados, y luego dé a los tornillos medio giro adicional.





3. Presione la tapa de la bisagra superior izquierda sobre la bisagra.

Sonidos normales de operación

Los refrigeradores más nuevos producen sonidos diferentes a los modelos más antiguos. Los refrigeradores modernos tienen más funciones y usan tecnología más reciente.

¿Usted escucha lo que yo escucho? Estos sonidos son normales.

<p style="text-align: center;">HUMMM... WHOOSH...</p> <ul style="list-style-type: none"> ■ El nuevo compresor de alta eficiencia puede funcionar más rápido y durar más que el de su refrigerador anterior y puede escuchar un zumbido de tono alto o un sonido pulsante mientras opera. ■ Puede escuchar un sonido de soplido cuando las puertas se cierran. Esto se debe a que la presión se está estabilizando dentro del refrigerador. 	<p style="text-align: center;">WHIR!</p>  <ul style="list-style-type: none"> ■ Puede escuchar los ventiladores moviéndose a gran velocidad. Esto pasa cuando el refrigerador se conecta por primera vez, cuando las puertas se abren frecuentemente o cuando se guarda gran cantidad de alimentos en el refrigerador o en los compartimientos del congelador. Los ventiladores están ayudando a mantener las temperaturas correctas.
<p style="text-align: center;">CHASQUIDOS, ESTALLIDOS, CRUJIDO, GORJEOS</p> <ul style="list-style-type: none"> ■ Puede escuchar sonidos como de crujido o estallidos cuando el refrigerador se conecta por primera vez. Esto pasa a medida que el refrigerador se enfría hasta la temperatura correcta. ■ El compresor puede causar un chasquido o un gorjeo cuando intenta volver a arrancar (esto puede tomar hasta 5 minutos). ■ Expansión y contracción de las bobinas durante o después del ciclo de descongelación puede causar sonidos como de crujido o estallidos. ■ En modelos con máquina de hielos, después de completar un ciclo de hacer hielo, se pueden escuchar los cubos de hielo cuando caen a la bandeja de hielos. ■ En los modelos con dispensador, mientras el agua se dispensa, es posible que escuche las tuberías del agua moverse en el momento inicial de dispensar y después de liberar el botón dispensador. 	<p style="text-align: center;">SONIDOS DE AGUA</p>  <ul style="list-style-type: none"> ■ El fluido del refrigerante a través de las bobinas puede producir un sonido de borboteo como de agua hirviendo. ■ El agua que cae en el calentador de descongelación puede causar un chisporroteo, estallido o zumbido durante el ciclo de descongelación. ■ Un ruido de agua cayendo se puede escuchar durante el ciclo de descongelación a medida que el hielo se derrite del evaporador y fluye hacia la bandeja de drenaje. ■ El cierre de las puertas puede producir un sonido de gorgoteo debido a la estabilización de la presión.

Consejos para la Solución de Problemas... Antes de solicitar el servicio técnico

¡Ahorre tiempo y dinero! Primero revise los cuadros que aparecen en las siguientes páginas y es posible que no necesite solicitar reparaciones. De ser necesario, podrá programar el servicio técnico visitándonos en **GEAppliances.com** o llamando al 800.GECARES (800.432.2737). En Canadá, visite **GEAppliances.ca** o llame al 800.561.3344.

PROBLEMA	POSIBLES CAUSAS	QUÉ HACER
Se abre la puerta del congelador cuando la puerta del refrigerador se cierra	Esto es normal si, después de abrirse, la puerta del congelador se cierra sola.	Esto indica que hay un buen sello en la puerta del congelador. Si la puerta del congelador no se cierra automáticamente después de abrirse, los rodillos necesitan ajuste. Consulte la sección <i>Rodillos y patas de nivelación</i> .
La puerta no se cierra sola	Es necesario ajustar las patas de nivelación.	Consulte la sección <i>Rodillos y patas de nivelación</i> .
El refrigerador no opera	El refrigerador está en el ciclo de descongelado.	Espere unos 40 minutos hasta que el ciclo de descongelado termine.
	Cualquiera o ambos controles están en la posición 1 (apagado).	Mueva el control del refrigerador y del congelador a un nivel de temperatura.
	El refrigerador está desconectado.	Empuje el enchufe completamente en el tomacorriente.
	El fusible está quemado / el interruptor automático se saltó.	Reemplace el fusible o reajuste el interruptor.
Vibración o traqueteo (una vibración ligera es normal)	El refrigerador no descansa sobre los rodillos.	Ajuste las patas de nivelación. Consulte la sección <i>Rodillos y patas de nivelación</i> .
El motor opera con frecuencia por largos periodos o ciclos de forma intermitente (Los refrigeradores modernos con más espacio de almacenamiento y un congelador más grande requieren de más tiempo de operación. Arrancan y paran con frecuencia para mantener temperaturas uniformes.)	Normal cuando el refrigerador se conecta inicialmente.	Espere 24 horas hasta que el refrigerador se enfríe por completo.
	Con frecuencia ocurre cuando grandes cantidades de alimentos se almacenan en el refrigerador.	Esto es normal.
	La puerta se deja abierta.	Revise si un paquete está reteniendo la puerta abierta.
	El clima caliente o abrir la puerta frecuentemente.	Esto es normal.
	Los controles de la temperatura están en el nivel más frío.	Consulte la sección <i>Sobre los controles</i> .
	El compartimiento de alimentos frescos o el congelador no están muy fríos	El control de la temperatura no está en un nivel suficientemente frío.
Hielo o cristales de hielo en los alimentos congelados (el hielo dentro de un paquete es normal)	El clima caliente o abrir la puerta frecuentemente.	Fije el control de la temperatura a un nivel más frío. Consulte la sección <i>Sobre los controles</i> .
	La puerta se deja abierta.	Revise si un paquete está reteniendo la puerta abierta.
	La puerta del congelador se abre.	Ver el problema <i>La puerta del congelador se abre cuando la puerta del refrigerador está cerrada</i> .
	La puerta se deja abierta.	Revise si un paquete está reteniendo la puerta abierta.
Sonido de zumbido frecuente	Abrir la puerta con mucha frecuencia o por mucho tiempo.	Retire los artículos de la pared posterior del congelador.
	Los alimentos bloquean los conductos del congelador.	
Cubos pequeños o huecos	El interruptor de energía de abajo dañará la válvula de agua. la máquina de hacer hielo está en la posición ON (Encendido) (hacia abajo), pero el suministro de agua al refrigerador no fue conectado.	Configure el interruptor de energía en la posición STOP (Detener) (hacia arriba). Mantenerlo en la posición ON (Encendido) (hacia
La máquina de hielos automática no funciona (en algunos modelos)	Filtro de agua tapado.	Reemplace el cartucho del filtro con uno nuevo o con el tapón.
	El interruptor de energía de la máquina de hacer hielo no se encuentra configurado en ON (Encendido).	Mueva el interruptor de energía a la posición ON (Encendido).
	El suministro del agua está apagado o no está conectado.	Consulte la sección <i>Cómo instalar la tubería del agua</i> .
	El compartimiento del congelador no es muy frío.	Espere 24 horas para que el refrigerador se enfríe completamente.
	Hay cubos amontonados en el recipiente de almacenamiento que causan que la máquina de hielos se apague.	Nivele los cubos con la mano.
	Los cubos de hielo están obstruidos en la máquina de hielos. (La luz verde de la máquina de hielos está intermitente)	Apague la máquina de hielos, retire los cubos y vuelva a encender la máquina de hielos.

Consejos para la Solución de Problemas... Antes de solicitar el servicio técnico

PROBLEMA	POSIBLES CAUSAS	QUÉ HACER
Los cubos de hielo tienen olor / sabor	El recipiente de almacenamiento de hielos necesita limpieza.	Desocupe el recipiente y lávelo. Deseche los cubos viejos.
	Hay alimentos que transmiten olor / sabor a los cubos de hielo.	Envuelva bien los alimentos.
	El interior del refrigerador necesita limpieza.	Consulte la sección de <i>Cuidado y limpieza</i> .
Congelamiento lento de los cubos de hielo	La puerta se deja abierta.	Revise si un paquete está reteniendo la puerta abierta.
	El control de la temperatura no está en un nivel suficientemente frío.	Consulte la sección <i>Sobre los controles</i> .
		Un refrigerador nuevo instalado recientemente podría necesitar entre 12 y 24 horas para comenzar a hacer cubos de hielo.
Se forma humedad en la superficie del gabinete entre las puertas	No es usual durante periodos de alta humedad.	Seque la superficie, luego ajuste el control de alimentos frescos fijándolo en un número más alto y revise de nuevo en 24 horas.
El refrigerador tiene olor	Hay alimentos que transmiten olor / sabor al refrigerador.	Los alimentos con olores fuertes deben envolverse firmemente.
	El interior necesita limpieza.	Mantenga una caja abierta de bicarbonato en el refrigerador; reemplácela cada tres meses.
		Consulte la sección de <i>Cuidado y limpieza</i> .
Humedad se forma al interior (en clima húmedo, el aire lleva la humedad al refrigerador cuando las puertas se abren)	Abrir la puerta con mucha frecuencia o por mucho tiempo.	
	Contenedores de agua abiertos o alimentos calientes en el refrigerador.	Cubra o selle los contenedores abiertos. Durante el ciclo de descongelación, la humedad se elimina del refrigerador, pero puede volver si se deja la puerta abierta frecuentemente o por largos periodos de tiempo.
La luz del compartimiento del refrigerador no funciona	No hay corriente en el toma corriente.	Reemplace el fusible o vuelva a iniciar el interruptor.
	Bombilla quemada o suelta.	Consulte la sección <i>Cómo reemplazar la bombilla</i> .
Aire caliente de la parte de abajo del refrigerador	Motor de enfriamiento normal del flujo de aire. En el proceso de refrigeración, es normal que salga calor de la parte inferior del refrigerador. Algunas cubiertas de piso son sensibles y se decolorarán ante estas temperaturas normales y seguras.	
Congelamiento de alimentos en el refrigerador	Los alimentos están muy cercanos al ventilador en la parte posterior del refrigerador.	Mueva los alimentos lejos del ventilador (cerca de los controles).
	El control del refrigerador está en un nivel demasiado frío.	Mueva el control del refrigerador a una temperatura menos fría un incremento a la vez.
Brillo color naranja en el congelador	El calentador de descongelación está encendido.	Esto es normal.
Los compartimientos de la puerta no encajan	Los compartimientos de la puerta del congelador son de tamaño diferente a los compartimientos de la puerta del refrigerador.	Trate de instalar los compartimientos en ambas puertas.
Los controles no encienden	Algunos modelos no tienen controles luminosos.	Si puede ver números blancos en el control, el modelo no tiene controles luminosos.
	Luz del refrigerador quemada o suelta.	Consulte la sección <i>Cómo reemplazar las bombillas</i> .
El agua tiene un sabor/olor malo	El dispensador de agua no se uso por mucho tiempo.	Dispense el agua hasta que todo el sistema del agua se llene de nuevo.
El agua en el primer vaso está tibia	Eso es normal con un refrigerador recién instalado.	Espere 24 horas para que se enfríe el refrigerador.
	El dispensador de agua no se uso por mucho tiempo.	Dispense el agua hasta que todo el sistema del agua se llene de nuevo.
	El sistema de agua se ha desaguado.	Espere algunas horas para que se enfríe el agua.
No sale agua y el dispositivo para hacer hielo no funciona	Está tapada la línea de agua o la llave de paso.	Llame a un plomero.

Garantía Limitada del refrigerador

Todo el servicio de garantía es provisto por nuestros Centros de Servicio de Fabricación, o un técnico autorizado de Servicio al Cliente (Customer Care®). Para programar una visita del servicio técnico, visítenos en **GEAppliances.com**, o comuníquese al 800.GE.CARES (800.432.2737). En Canadá llame al 1.800.561.3344. Cuando llame para solicitar el servicio, tenga los números de serie y modelo disponibles.

Para realizar el servicio técnico de su refrigerador se podrá requerir el uso de datos del puerto de abordaje para su diagnóstico. Esto da al técnico del Servicio de Fábrica de GE Appliances la habilidad de diagnosticar de forma rápida cualquier problema con su electrodoméstico, y de ayudar a GE Appliances a mejorar sus productos al brindarle a GE Appliances la información sobre su electrodoméstico. Si no desea que los datos de su electrodoméstico sean enviados a GE Appliances, solicitamos que le indique a su técnico NO entregar los datos a GE Appliances en el momento del servicio.

Por el período de:	GE Appliances reemplazará
Un año A partir de la fecha de la compra original	Cualquier parte del refrigerador que falle debido a defectos en los materiales o en la fabricación. Durante esta garantía limitada de un año , GE Appliances también proporcionará, sin costo alguno , toda la mano de obra y el servicio relacionado para reemplazar partes defectuosas.

Lo que GE Appliances no cubrirá

- Viajes del técnico del servicio a su hogar para enseñarle sobre cómo usar el producto.
- Instalación, entrega o mantenimiento inadecuados.
- Fallas del producto en caso de abuso, mal uso, o uso para propósitos diferentes al original o uso comercial.
- Pérdida de alimentos por mal estado.
- Reemplazo de fusibles de la casa o reinicio de disyuntores.
- Daño causado después de la entrega.
- Reemplazo del cartucho del filtro de agua, si se incluye, debido a la presión del agua que está fuera del rango de funcionamiento específico o debido a exceso de sedimentos en el suministro de agua.
- Reemplazo de bombillas de luz, si se incluyen, o del cartucho del filtro de agua, si se incluye, a diferencia de lo detallado anteriormente.
- Daños ocasionados sobre el producto por accidente, incendio, inundaciones o catástrofes naturales.
- Daños consecuentes o incidentales causados por posibles defectos de este producto.
- Producto no accesible para brindar el servicio requerido.
- Los daños causados por un filtro de agua Marca no GE Appliances.
- Cualquier daño sobre la terminación deberá ser informado dentro de las 48 horas luego de la entrega del electrodoméstico.
- Productos que no presenten defectos ni estén rotos, o que estén funcionando de acuerdo con lo descrito en el Manual del Propietario.

EXCLUSIÓN DE GARANTÍAS IMPLÍCITAS—Su único y exclusivo derecho es la reparación del producto, tal y como se indica en esta Garantía limitada. Cualquier garantía implícita, incluyendo las garantías implícitas de comerciabilidad o adecuación para un fin determinado, están limitadas a un año o el período de tiempo más breve permitido por la ley.

Para los clientes de EE.UU. Esta garantía limitada se extiende al comprador original y a cualquier dueño subsiguiente de productos comprados para uso hogareño dentro de EE.UU. Si el producto está en un área donde no se encuentra disponible un Proveedor Autorizado del Servicio Técnico de GE Appliances, usted será responsable por el costo de un viaje o se podrá requerir que traiga el producto a una ubicación del Servicio Técnico de GE Appliances Autorizado para recibir el servicio. En Alaska, la garantía limitada excluye el costo de envío o llamadas del servicio a su hogar.

Algunos estados no permiten la exclusión o limitación de daños fortuitos o consecuentes. Esta garantía limitada le da derechos legales específicos y es posible que tenga otros derechos legales que varían entre un estado y otro. Para conocer cuáles son sus derechos legales, consulte a la oficina de asuntos del consumidor local o estatal o al Fiscal de su estado.

Garante: GE Appliances, a Haier company
Louisville, KY 40225

Para Clientes en Canadá: Esta garantía se extiende al comprador original y a cualquier dueño subsiguiente de productos comprados para uso hogareño dentro de Canadá. El servicio técnico hogareño de la garantía será brindado en áreas donde Mabe se encuentre disponible y lo considere apropiado.

Garante en Canadá: MC Commercial, Burlington, Ontario, L7R 5B6

Grape aquí su recibo. Se requiere facilitar prueba de la fecha de compra original para obtener un servicio bajo la garantía.

Soporte para el Consumidor

Sitio Web de GE Appliances

¿Desea realizar una consulta o necesita ayuda con su electrodoméstico? ¡Intente a través del Sitio Web de GE Appliances las 24 horas del día, cualquier día del año! Usted también puede comprar más electrodomésticos maravillosos de GE Appliances y aprovechar todos nuestros servicios de soporte a través de Internet, diseñados para su conveniencia.

En EE.UU.: GEAppliances.com En Canadá: GEAppliances.ca

Registre su Electrodoméstico

¡Registre su electrodoméstico nuevo a través de Internet, según su conveniencia! Un registro puntual de su producto permitirá una mejor comunicación y un servicio más puntual de acuerdo con los términos de su garantía, en caso de surgir la necesidad. También puede enviar una carta en la tarjeta de inscripción preimpresa que se incluye con el material embalado.

En EE.UU.: GEAppliances.com/register

En Canadá: Prodsupport.mabe.ca/crm/Products/ProductRegistration.aspx

Servicio Programado

El servicio de reparación de expertos de GE Appliances está a sólo un paso de su puerta. Conéctese a través de Internet y programe su servicio a su conveniencia cualquier día del año. En EE.UU.: GEAppliances.com/service o comuníquese al 800.432.2737 durante el horario de atención comercial.

En Canadá: GEAppliances.ca/en/support/service-request o comuníquese al 1.800.561.3344.

Garantías Extendidas

Adquiera una garantía extendida de GE Appliances y conozca los descuentos especiales que están disponibles mientras su garantía aún está vigente. La puede adquirir en cualquier momento a través de Internet. Los servicios de GE Appliances aún estarán allí cuando su garantía caduque.

En EE.UU.: GEAppliances.com/extended-warranty o comuníquese al 800.626.2224 durante el horario de atención comercial.

En Canadá: GEAppliances.ca/en/support/purchase-extended-warranty o comuníquese al 866.277.9842

Conectividad Remota

Para solicitar asistencia para la conectividad de red inalámbrica (para modelos con acceso remoto), visite nuestro sitio web en GEAppliances.com/connected-home-smart-appliances o comuníquese al 800.220.6899 en EE.UU.

Piezas y Accesorios

Aquellos individuos calificados para realizar el servicio técnico de sus propios electrodomésticos podrán solicitar el envío de piezas o accesorios directamente a sus hogares (se aceptan las tarjetas VISA, MasterCard y Discover). Ordene hoy a través de Internet durante las 24 horas, todos los días. En EE.UU.: GEApplianceparts.com o de forma telefónica al 877.959.8688 durante el horario de atención comercial.

Las instrucciones que figuran en este manual cubren los procedimientos que serán realizados por cualquier usuario. Otros servicios técnicos generalmente deben ser derivados a personal calificado del servicio. Se deberá tener cuidado, ya que una reparación indebida podrá hacer que el funcionamiento no sea seguro.

Los clientes de Canadá deberán buscar el centro de servicios Mabe más cercano en las páginas amarillas; visite nuestro sitio web en GEAppliances.ca/en/products/parts-filters-accessories o comuníquese al 800.661.1616.

Contáctenos

Si no se encuentra satisfecho con el servicio que recibió de GE Appliances, comuníquese con nosotros a través de nuestro sitio Web con todos los detalles, incluyendo su número telefónico, o escriba a:

En EE.UU.: General Manager, Customer Relations | GE Appliances, Appliance Park | Louisville, KY 40225

GEAppliances.com/ge/service-and-support/contact.htm

En Canadá: MC Commercial | Burlington, ON Canada, L7R 5B6

GEAppliances.ca/en/contact-us
