

Use & Care Guide

Manual de uso y cuidado

English / Spanish

Kenmore®

Top Mount Refrigerator

Refrigerador-Congelador Superior

Model: 6049#, 7049#, 6076#, 7076#

#=color number

P/N 30139K2801

Transform SR Brands Management LLC

Hoffman Estates, IL, U.S.A. 60179

www.kenmore.com



T18PBK-02-V1

TABLE OF CONTENTS

PRODUCT RECORD	3	REFRIGERATOR FEATURES	21
WARRANTY	4	Refrigerator Shelves	21
REFRIGERATOR SAFETY	5-8	Deli Drawer.....	21
Proper Disposal of Your Old Refrigerator	8	Crisper	22
INSTALLATION INSTRUCTIONS	9	FREEZER FEATURES	23
Unpack the Refrigerator.....	9	DOOR FEATURES	24
Location Requirements.....	10	Door Bins.....	24
Electrical Requirements	10	Dairy Compartment	24
Parts and Features.....	11	FOOD STORAGE GUIDE	25
Water Supply Requirements	12	Fresh Freezer Food Storage	25
Connect the Water Supply	12	REFRIGERATOR CARE	26
Connect to Refrigerator.....	13	Cleaning.....	26
Complete the Installation	14	To Clean Your Refrigerator.....	26
Front Base Grille Installation	14	Vacation and Moving Care	27
Reverse Doors.....	5-14	TROUBLESHOOTING GUIDE	28
Handles Installation.....	17	SERVICE NUMBER	BACK COVER
Adjust the Doors	18		
REFRIGERATOR USE	19		
Using the Controls	19		
Icemaker	20		

PRODUCT RECORD

In the space below, record the date of purchase, model and serial number of your product. You will find the model and serial number printed on an identification label located on the interior liner of the refrigerator compartment. Have these items of information available whenever you contact Sears concerning your product.

Model No. _____

Date of Purchase _____

Serial No. _____

Save these instructions and attach your sales receipt for future reference.

KENMORE LIMITED WARRANTY



REFRIGERATOR WARRANTY

KENMORE LIMITED WARRANTY

WITH PROOF OF ORIGINAL SALE the following warranty coverage applies when this appliance is correctly installed, operated and maintained according to all supplied instructions.

One Year on Appliance

FOR ONE YEAR from the date of original sale this appliance is warranted against defects in material or workmanship. A defective appliance will receive free repair. If the appliance cannot be repaired it will be replaced free of charge.

Lifetime on Storage Bins

FOR AS LONG AS IT IS USED from the date of original sale, a free replacement will be supplied for a defective refrigerator or freezer compartment storage bin.* If the defect appears within the first year, a new bin will be installed at no charge. If the defect appears after the first year, a new bin will be supplied but not installed at no charge. This Lifetime warranty covers only storage bins, and does not apply to any other related component or mechanism. You are responsible for the labor cost of bin installation after the first year from the date of original sale. *Warranty coverage applies to door bins, drawer bins and basket bins. Defects must be verified by a Sears authorized service representative.

For warranty coverage details to obtain free repair or replacement, visit the web page: www.kenmore.com/warranty

All warranty coverage applies for only 90 DAYS from the date of original sale if this appliance is ever used for other than private household purposes.

This warranty covers ONLY defects in material and workmanship, and will NOT pay for:

1. Expendable items that can wear out from normal use, including but not limited to filters, belts, bags or screw-in base light bulbs.
2. A service technician to clean or maintain this appliance, or to instruct the user in correct appliance installation, operation and maintenance.
3. Service calls to correct appliance installation not performed by Sears authorized service agents, or to repair problems with house fuses, circuit breakers, house wiring, and plumbing or gas supply systems resulting from such installation.
4. Damage to or failure of this appliance resulting from installation not performed by Sears authorized service agents, including installation that was not in accord with electrical, gas or plumbing codes.
5. Damage to or failure of this appliance, including discoloration or surface rust, if it is not correctly operated and maintained according to all supplied instructions.
6. Damage to or failure of this appliance, including discoloration or surface rust, resulting from accident, alteration, abuse, misuse or use for other than its intended purpose.
7. Damage to or failure of this appliance, including discoloration or surface rust, caused by the use of detergents, cleaners, chemicals or utensils other than those recommended in all instructions supplied with the product.
8. Damage to or failure of parts or systems resulting from unauthorized modifications made to this appliance.
9. Service to an appliance if the model and serial plate is missing, altered, or cannot easily be determined to have the appropriate certification logo.

Disclaimer of implied warranties; limitation of remedies

Customer's sole and exclusive remedy under this limited warranty shall be product repair or replacement as provided herein. Implied warranties, including warranties of merchantability or fitness for a particular purpose, are limited to one year on the appliance and for as long as used on the storage bins, or the shortest period allowed by law. Seller shall not be liable for incidental or consequential damages. Some states and provinces do not allow the exclusion or limitation of incidental or consequential damages, or limitation on the duration of implied warranties of merchantability or fitness, so these exclusions or limitations may not apply to you.

This warranty applies only while this appliance is used in the United States.

This warranty gives you specific legal rights, and you may also have other rights which vary from state to state.

Transform SR Brands Management LLC, Hoffman Estates, IL 60179

REFRIGERATOR SAFETY

Your safety and the safety of others are very important.

We have provided many important safety messages in this manual and on your appliance. Always read and obey all safety messages.



This is the safety alert symbol.

This symbol alerts you to potential hazards that can kill or hurt you and others.

All safety messages will follow the safety alert symbol and either the word “DANGER” or “WARNING.” These words mean:

! DANGER

You can be killed or seriously injured if you don't immediately follow instructions.

! WARNING

You can be killed or seriously injured if you don't follow instructions.

All safety messages will tell you what the potential hazard is, tell you how to reduce the chance of injury, and tell you what can happen if the instructions are not followed.

IMPORTANT SAFETY INSTRUCTIONS

WARNING: To reduce the risk of fire, electric shock, or injury to persons when using the refrigerator, follow basic precautions, including the following:

- Plug into a grounded 3 prong outlet.
- Do not remove ground prong.
- Do not modify plug on power cord. If plug does not fit electrical outlet, have proper outlet installed by a qualified electrician.
- Do not use a two-prong adapter, extension cord or power strip.
- Do not service or replace any part of refrigerator unless specifically recommended in Use & Care Guide or published user-repair instructions. Do not attempt service if instructions are not understood or if they are beyond personal skill level.
- Always disconnect refrigerator from electrical supply before attempting any service.
- Disconnect power cord by grasping the plug, not the cord.
- Install refrigerator according to Installation Instructions. All connections for water, electrical power and grounding must comply with local codes and be made by licensed personnel when required.
- Keep your refrigerator in good condition. Bumping or dropping refrigerator can damage refrigerator or cause refrigerator to malfunction or leak. If damage occurs, have refrigerator checked by qualified service technician.
- Replace worn power cords and/or loose plugs.
- Always read and follow manufacturer's storage and ideal environment instructions for items being stored in refrigerator.
- Your refrigerator should not be operated in the presence of explosive fumes.
- Remove doors from your old refrigerator.
- Children should not climb, hang or stand on any part of the refrigerator.
- Clean up spills or water leakage associated with water installation.
- Use nonflammable cleaner.
- Keep flammable materials and vapors, such as gasoline, away from refrigerator.
- Use two or more people to move and install refrigerator.
- Disconnect power before installing icemaker (on icemaker kit ready models only).

SAVE THESE INSTRUCTIONS

IMPORTANT SAFETY INSTRUCTIONS

This appliance is not intended for use by persons (including children) with reduced physical, sensory or mental capabilities, or lack of experience and knowledge, unless they have been given supervision or instruction concerning use of the appliance by a person responsible for their safety.

If the supply cord is damaged, it must be replaced by the manufacturer, its service agent or similarly qualified persons in order to avoid a hazard.

IMPORTANT SAFETY INSTRUCTIONS

<p>DANGER risk of fire or explosion. Flammable refrigerant used. Do not use mechanical devices to defrost refrigerator. Do not puncture refrigerant</p>	<p>DANGER risque d'incendie ou d'explosion. Frigorigène inflammable utilisé. Ne pas utiliser d'appareils mécaniques pour dégivrer le réfrigérateur. Ne pas perforer la conduite de frigorigène.</p>
<p>DANGER risk of fire or explosion. Flammable refrigerant used. To be repaired only by trained service personnel. Do not puncture refrigerant tubing.</p>	<p>DANGER risque d'incendie ou d'explosion. Frigorigène inflammable utilisé. La réparation doit être faite seulement par un personnel qualifié. Ne pas perforer la conduite de frigorigène.</p>
<p>CAUTION risk of fire or explosion. Flammable refrigerant used. Consult repair manual/owner's guide before attempting to service this product. All safety precautions must be followed.</p>	<p>ATTENTION risque d'incendie ou d'explosion. Frigorigène inflammable utilisé. Consulter le manuel de réparation/manual du propriétaire avant d'entreprendre l'entretien de ce produit. Toutes les mesures de sécurité doivent être respectées.</p>
<p>CAUTION risk of fire or explosion. Dispose of properly in accordance with federal or local regulations. Flammable refrigerant used.</p>	<p>ATTENTION risque d'incendie ou d'explosion. Éliminer convenablement conformément à la réglementation fédérale ou locale frigorigène inflammable utilisé.</p>
<p>CAUTION risk of fire or explosion due to puncture or refrigerant tubing; follow handling instructions carefully. Flammable refrigerant used.</p>	<p>ATTENTION La perforation de la conduite de frigorigène peut entraîner un incendie ou une explosion. Suivre avec soin les instructions fournies. Frigorigène inflammable utilisé.</p>
<p>WARNING keep ventilation openings, in the appliance enclosure or in the built-in structure, clear of obstruction.</p>	<p>AVERTISSEMENT les prises d'air de l'enceinte de l'appareil ou de la structure encastré doivent être dégagées en tout temps.</p>
<p>WARNING do not use mechanical devices or other means to accelerate the defrosting process, other than those recommended by the manufacturer.</p>	<p>AVERTISSEMENT ne pas utiliser d'appareils mécaniques ou autres moyens pour accélérer le dégivrage que ceux recommandés par le fabricant.</p>
<p>WARNING do not damage the refrigerant circuit.</p>	<p>AVERTISSEMENT ne pas endommager le circuit frigorigène.</p>
<p>WARNING do not use electrical appliances inside the food storage compartments of the appliance, unless they are of the type recommended by the manufacturer.</p>	<p>AVERTISSEMENT ne pas utiliser d'appareils électriques à l'intérieur du compartiment de conservation des aliments de cet appareil, sauf s'ils sont du type recommandé par le fabricant.</p>
<p>WARNING connect to potable water supply only.</p>	<p>MISE EN GARDE: Raccorde uniquement à un réseau d'alimentation en eau potable.</p>
<p>DANGER risk of child entrapment. Before you throw away your old refrigerator or freezer : Take off the doors. Leave the shelves in place so that children may not easily climb inside.</p>	<p>DANGER : Risque d'enfermer les enfants. Avant de jeter votre vieux réfrigérateur ou congélateur: Retirer les portes. Laisser les tablettes en place de façon à empêcher l'accès aux enfants</p>

SPECIFICATIONS

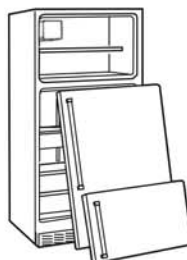
MODELS		6049#, 7049#, 6076#, 7076#
EXTERNAL DIMENSIONS	WIDTH	29.8 in
	BACKGROUND	31.3 in
	HIGH	67.0 in
NET WEIGHT		168 lbs
SYSTEM CHARACTERISTICS	FREEZER CAPACITY	5.2 cu ft
	FRESH FOOD CAPACITY	13.1 cu ft
	TOTAL CAPACITY	18.3 cu ft
	REFRIGERANT	R600a
	DEFROST SYSTEM	BY RESISTENCE, TYPE SHEATH
		AUTOMATIC
	COOLING SYSTEM	FORCED CONVECTION
SUPPLY VOLTAGE	115V/60Hz	
RATED POWER INPUT OF ICE MAKER (OPTIONAL)		145 W
MAXIMUM INLET WATER PRESSURE		827 kPa (120psi)
MINIMUM INLET WATER PRESSURE		207 kPa (30psi)

Proper Disposal of Your Old Refrigerator

⚠ DANGER

Child Entrapment and Suffocation Hazard

Remove doors from your old refrigerator.
Failure to do so can result severe injury or death.



Before You Throw Away Your old refrigerator or freezer:

- Take off the doors.
- Leave the shelves in place so that children may not easily climb inside.

Junked or abandoned refrigerators are still dangerous – even if they will sit for “just a few days.” If you are getting rid of your old refrigerator, please follow these instructions to help prevent accidents.

Important information to know about disposal of refrigerants:

Dispose of refrigerator in accordance with Federal and Local regulations. Refrigerants must be evacuated by a licensed, EPA certified refrigerant technician in accordance with established procedures.

CALIFORNIA PROPOSITION 65

⚠ WARNING

The use of this appliance can expose you to chemicals known to the state of California to cause cancer, birth defects, or other reproductive harm. For more information go to www.P65Warnings.ca.gov

INSTALLATION INSTRUCTIONS

Unpack the Refrigerator

WARNING

Excessive Weight Hazard

Use two or more people to move and install refrigerator.
Failure to do so can result in back or other injury.

Remove the Packaging

- Remove tape and glue residue from surfaces before turning on the refrigerator. Rub a small amount of liquid dish soap over the adhesive with your fingers. Wipe with warm water and dry.

NOTE: Do not use sharp instruments, rubbing alcohol, flammable fluids, or abrasive cleaners to remove tape or glue. These products can damage the surface of your refrigerator. For more information, see “Refrigerator Safety.”

- Dispose of/recycle all packaging materials.

Important: Do not remove the white foam air return insert that is located behind the control panel on the ceiling of the refrigerator (on some models). The insert is part of the refrigerator and not part of the packing material. If the insert is removed, ice may migrate down from the freezer and cause icicles to form.

When Moving Your Refrigerator:

Your refrigerator is heavy. When moving the refrigerator for cleaning or service, be sure to cover the floor with cardboard or hardboard to avoid floor damage. Always pull the refrigerator straight out when moving it. Do not wiggle or “walk” the refrigerator when trying to move it, as floor damage could occur.

Clean Before Using

- After you remove all of the package materials, clean the inside of your refrigerator before using it. See the cleaning instructions in “Refrigerator Care.”

Important information to know about glass shelves and covers:

Do not clean glass shelves or covers with warm water when they are cold. Shelves and covers may break if exposed to sudden temperature changes or impact, such as bumping. Tempered glass is designed to shatter into many small, pebble-size pieces. This is normal. Glass shelves and covers are heavy. Use both hands when removing them to avoid dropping.

INSTALLATION INSTRUCTIONS

Location Requirements

⚠ WARNING



Explosion Hazard

Keep flammable materials and vapors, such as gasoline, away from refrigerator.

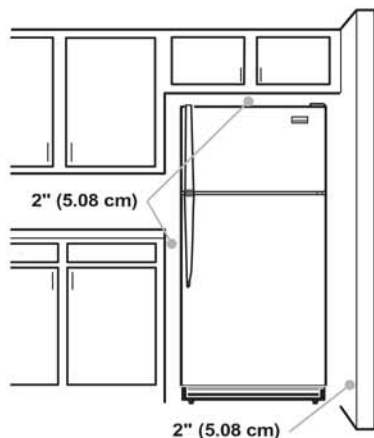
Failure to do so can result in death, explosion, or fire.

Important: This refrigerator is designed for indoor household use only.

To ensure proper ventilation for your refrigerator, allow for 2" (5.08 cm) of space on each side and at the top. Allow for 2" (5.08 cm) of space behind the refrigerator. If your refrigerator has an icemaker, allow extra space at the back for the water line connections. When installing your refrigerator next to a fixed wall, leave a 2" (5.08 cm) minimum space on the hinge side (some models require more) to allow the door to swing open.

NOTE: This refrigerator is intended for use in a location where the temperature ranges from a minimum of 38°F (3.3°C) to a maximum of 110°F (43°C). The preferred room temperature range for optimum performance, which reduces electricity usage and provides superior cooling, is between 60°F (15°C) and 90°F (32°C). It is recommended that you do not install the refrigerator near a heat source, such as an oven or radiator.

Use caution when installing the unit on vinyl or hardwood floors so as not to mark or otherwise damage the flooring. A piece of plywood, a rug or other material should be used to protect the floor while positioning the unit.



Electrical Requirements

⚠ WARNING



Electrical Shock Hazard

Plug into a grounded 3 prong outlet.

Do not remove ground prong. Do not use an adapter.

Do not use an extension cord.

Failure to follow these instructions can result in death, fire, or electrical shock.

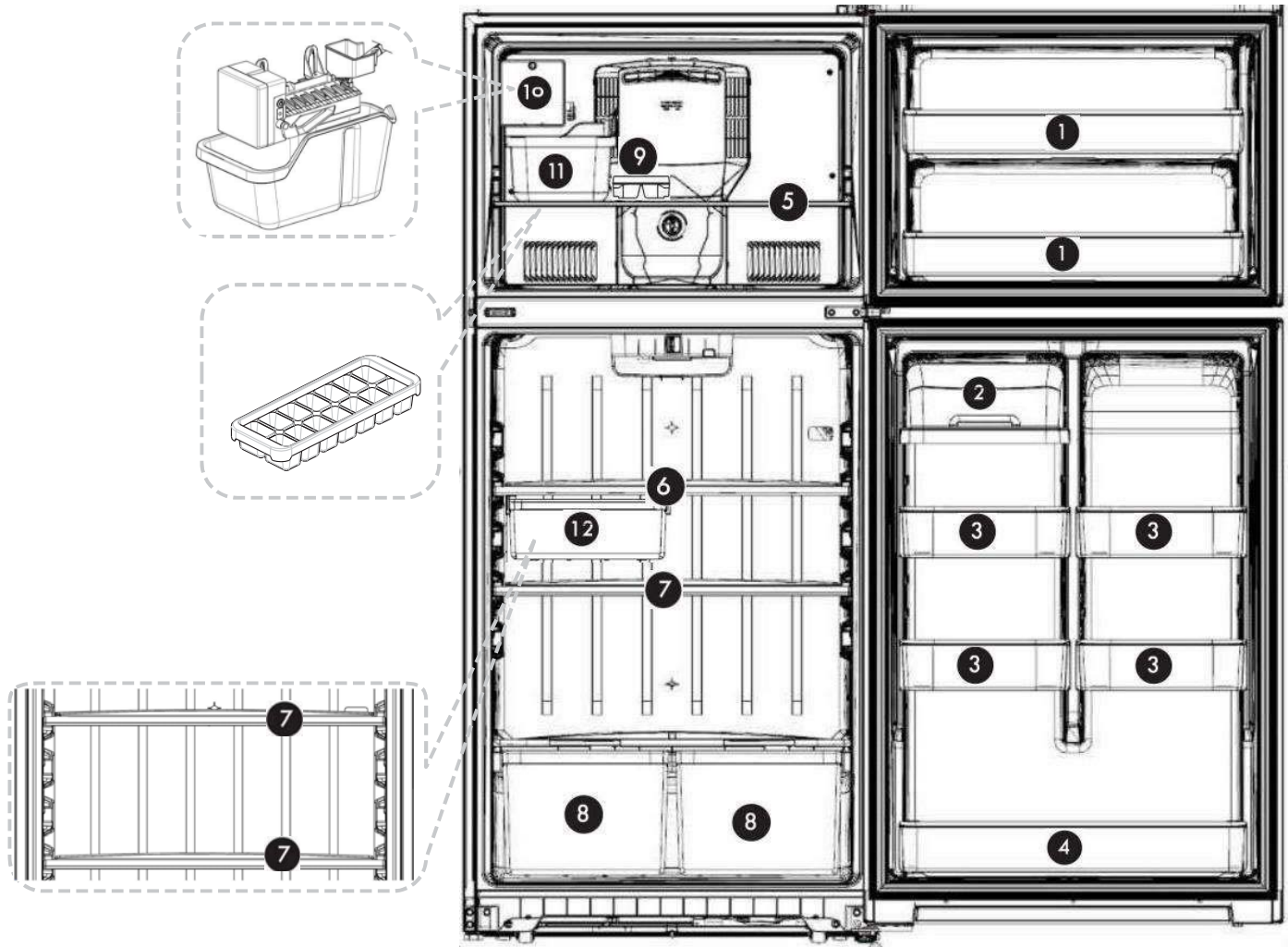
Before you move your refrigerator into its final location, it is important to make sure you have the proper electrical connection.

Recommended grounding Method

A 115 volt, 60 Hz, AC only, 15- or 20-amp fused, grounded electrical supply is required. It is recommended that a separate circuit serving only your refrigerator be provided. Use an outlet that cannot be turned off by a switch. Do not use an extension cord.

NOTE: Before performing any type of installation or cleaning, disconnect the refrigerator from the electrical source. When you are finished, reconnect the refrigerator to the electrical source.

PARTS AND FEATURES



*This instruction manual refers to several models. Features may vary according to model.

- | | |
|--|---|
| 1. Freezer door bin | 7. Glass shelf |
| 2. Dairy compartment
for spreadable food items such as butter or margarine. | 8. Humidity controlled crisper drawer for
storage of fruits and vegetables |
| 3. Adjustable half width door bin | 9. Ice tray (Optional) |
| 4. Full width door bin (applicable only on some models) | 10. Ice maker |
| 5. Glass shelf | 11. Ice box |
| 6. Glass shelf with deli drawer | 12. Utility case (applicable only on some models) |

INSTALLATION INSTRUCTIONS

Water Supply Requirements(optional)

This water line installation is not warranted by the refrigerator manufacturer or the icemaker manufacturer. Follow these instructions carefully to minimize the risk of expensive water damage. Gather the required tools and supplies before starting installation. Read and follow the instructions associated with tools and supplies.

Tools Needed:

- Flat-blade screwdriver
- Philips screwdriver
- ½" open-end or adjustable wrenches
- Power drill and drill bit
(only needed when installing a saddle valve)

Supplies Needed:

- Water tubing and fittings (to connect to home water supply) Supplies needed depends on type of water supply connection required
- Examples
 - ¼" outer diameter refrigerator copper tubing kit with compression nuts and sleeves
 - Refrigerator plastic tubing kit with molded ends specifically designed for this application- Saddle valve (included in some kits)
 - See "Shutoff valve to connect ..." on this page

Important:

- Be sure the connection is being made to a potable water supply.
- Install copper tubing only in areas where household temperature will remain above freezing
- To prevent burns and product damage, do not hook up the refrigerator water line to the hot water
- When using any electrical device (such as power drill) during installation, be sure the device is double insulated or grounded in a manner to prevent electrical shock, or use a battery-powered device
- Check for water leaks before plugging in the refrigerator

Note: If your existing copper water line has a flared fitting at the end, you will need an adapter (available at plumbing supply stores) to connect the water line to the refrigerator OR you can cut off the flared fitting with a tube cutter and then use a compression fitting.

Shutoff valve to connect to the cold water line

The shutoff valve should have a water inlet with a minimum inside diameter of 5/32" (3.97mm) at the point of connection to the cold water line. Saddle-type shutoff valves are included in many water supply kits. Before purchasing, make sure a saddle-type valve complies with your local plumbing codes. Piercing type saddle valves are not recommended even if allowed by local plumbing code. Install the shutoff valve on the nearest frequently used drinking water line.

Water Pressure

Important: A cold water supply with water pressure between 30 and 120 psi (207 and 827 kPa) is required to operate the icemaker.

Note: If the water pressure is less than what is required, ice cubes could be hollow or irregular shaped. If you have questions about your water pressure, call a licensed, qualified plumber.

Reverse osmosis water Supply

If a reverse osmosis water filtration system is connected to your cold water supply, the water pressure to the reverse osmosis system needs to be a minimum of 40 to 60 psi (276 to 414 kPa). If the icemaker is still not operating properly:

- Check to see whether the sediment filter in the reverse osmosis system is blocked. Replace the filter if necessary.
- Allow the storage tank on the reverse osmosis system to refill after heavy usage.

Connect the Water Supply(optional)

Read all directions before you begin.

Note: This example is for a saddle valve installation. When a shutoff valve is already present, a saddle valve is not required.

Important: If you turn the refrigerator on before the water line is connected, turn the icemaker OFF.

Connect to Water Line

1. Unplug refrigerator or disconnect power.
2. Turn OFF main water supply. Turn ON nearest faucet long enough to clear line of water.
3. Locate a ½" to 1-¼" (1.25cm to 3.18cm) vertical cold water pipe near the refrigerator.

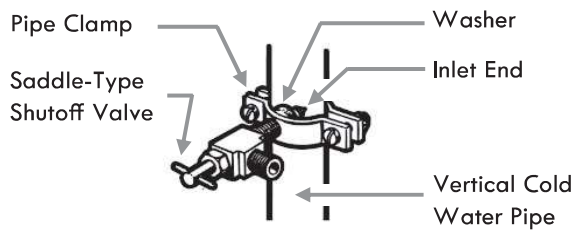
Important:

- Make sure it is a cold water pipe.
 - Horizontal pipe will work, but drill on the top side of the pipe, not the bottom. This will help keep water away from the drill and normal sediment from collecting in the valve.
4. Determine the length of copper tubing you need. Measure from the connection on the lower left rear of refrigerator to the water pipe. Add 8 ft (2.4 m) to allow for cleaning. Use ¼" (6.35 mm) O.D. (outside diameter) copper tubing. Be sure both ends of copper tubing are cut square.

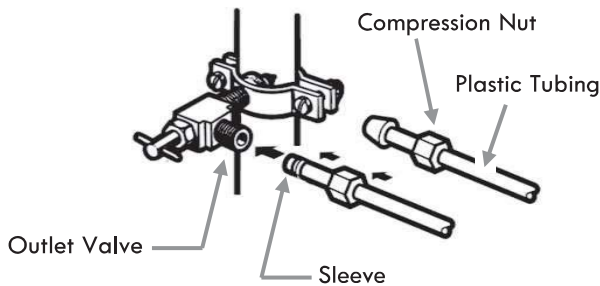
INSTALLATION INSTRUCTIONS

Connect the Water Supply (continued)

5. Drill a $\frac{1}{4}$ " hole in the cold water pipe (even if using a self-piercing valve), using a sharp bit. Remove any burrs resulting from drilling the hole in the pipe. Take care not to allow water to drain into the drill. Failure to drill a $\frac{1}{4}$ " hole may result in reduced ice production or smaller cubes.
6. Fasten the shutoff valve to the cold water pipe with the pipe clamp. Be sure the outlet end is solidly in the $\frac{1}{4}$ " drilled hole in the water pipe and that the washer is under the pipe clamp. Tighten the packing nut. Tighten the pipe clamp screws slowly and evenly so washer makes a watertight seal. Do not overtighten or you may crush the cold water pipe.



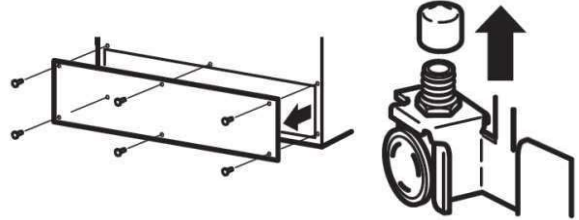
7. Place the compression nut and sleeve for copper tubing onto the end of the tubing and connect it to the shutoff valve. Make sure the tubing is fully inserted into the valve. Tighten the compression nut securely. For plastic tubing, insert the molded end of the tubing into the shutoff valve and tighten compression nut until it is hand-tight; then tighten one additional turn with a wrench. Overtightening may cause leaks.



8. Place the free end of the tubing in a container or sink, and turn ON the main water supply. Flush the tubing until water is clear. Turn OFF the shutoff valve on the water pipe. Coil the copper tubing.

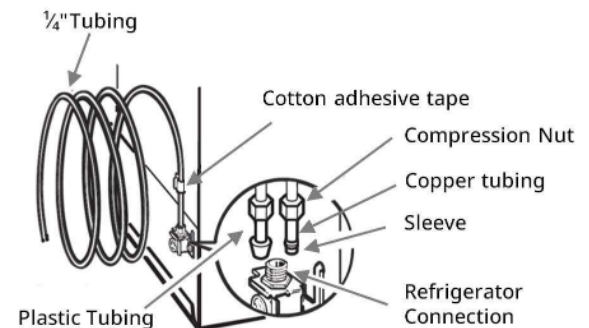
Connect to Refrigerator

1. Unplug refrigerator or disconnect power.
2. Remove the screws holding the compressor compartment access cover to the back of the refrigerator case. Remove the cover and the plastic flexible cap from the water valve (refrigerator connection)



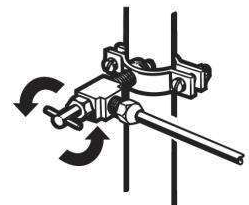
NOTE: Be sure to save the screws as the access cover must be reinstalled later to ensure your refrigerator will function properly.

3. Place the compression nut and sleeve onto the end of the tubing as shown. Insert the end of the tubing into the water valve connection as far as possible. While holding the tubing, tighten the fitting. For plastic tubing, insert the molded end of the tubing into the shutoff valve and tighten compression nut until it is hand-tight; then tighten one additional turn with a wrench. Overtightening may cause leaks.



4. Use the cotton adhesive tape on the back of the refrigerator to secure the tubing to the refrigerator as shown. This will help avoid damage to the tubing when the refrigerator is pushed back against the wall.

5. Turn shutoff valve ON. Reattach the access cover.



6. Check for leaks. Tighten any connections (including connections at the valve) or nuts that leak.
7. If your water conditions require a water strainer, install it in the $\frac{1}{4}$ " (6.35mm) water line at either tube connection. Obtain a water strainer from your nearest appliance dealer.

INSTALLATION INSTRUCTIONS

Complete the Installation

⚠ WARNING



Electrical Shock Hazard

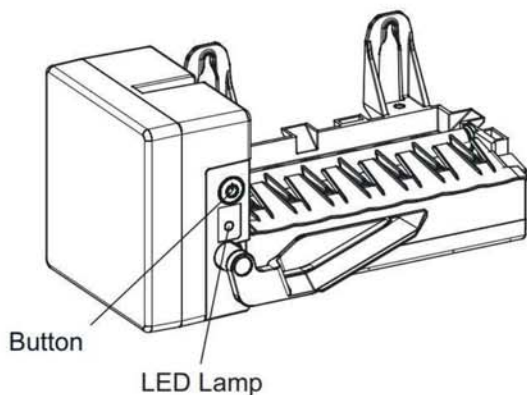
Plug into a grounded 3 prong outlet.
Do not remove ground prong. Do not use an adapter.
Do not use an extension cord.
Failure to follow these instructions can result in death, fire, or electrical shock.

- Different models have different ice maker that can be installed, so please check whether the ice maker you bought matches your refrigerator.
- Please install the electronic ice maker for this model. When a mechanical ice maker is installed, it does not work.

Code IM Model & Kit Number

Type	Ice Maker Model	Refrigerator Model	Code IM Model
Electronic	IME1821	111.6049#220	60140-0010100-00
		111.6076#220	
		111.7049#220	
	111.7076#220		

1. Plug into a grounded 3 prong outlet.
2. After installing the water line, plug in the refrigerator. After plugging in the refrigerator, the ice maker will start automatically, with the LED light on. (If the LED light is off, press the button once for 1 second).
Please keep the refrigerator turned on to allow the icemaker to reset. This will take approximately 5 minutes. The icemaker will begin to operate automatically once the freezer compartment temperature reaches 15°F (-9°C) or below.



NOTE: This icemaker is equipped with a water level sensor. If low water pressure condition exists, the icemaker water valve may be turned on up to 7 times in order to deliver enough water to the icemaker. Allow 24 hours to produce the first batch of ice. Discard the first three batches of ice produced. Allow 3 days to completely fill the ice container.

INSTALLATION INSTRUCTIONS

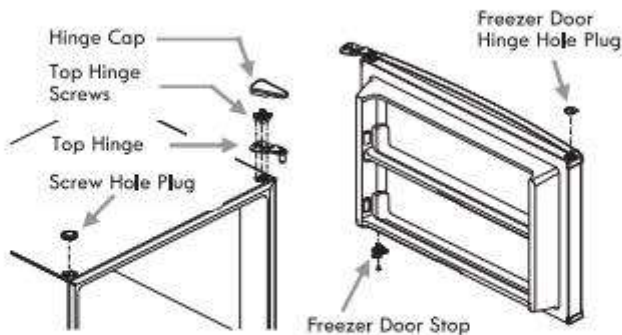
Reverse Doors (optional)

Important: If you want to reverse your doors so that they open in the opposite direction, follow these steps.

Tools required: 5/16 " end wrench, Phillips screwdriver, Putty knife, 5/16 " socket and ratchet

Unplug the refrigerator

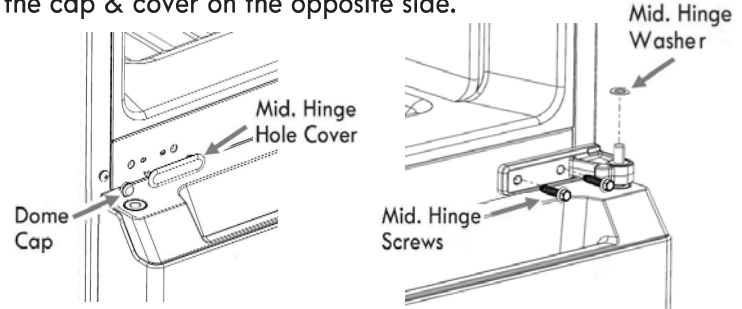
1. Tape the freezer door shut with masking tape. Pry off hinge cap with a flat blade screwdriver and set aside.
2. With a 5/16 " socket and ratchet, remove screws from the top hinge and set aside.
3. Remove the tape and carefully lift and remove freezer door (including the top hinge) off the center hinge.
4. With a Phillips screwdriver, remove the door stop from the underside of the freezer door and secure it on the opposite side.
5. With a putty knife, carefully pry out the hinge hole plug from the top of the freezer door and install it on the other side.
6. Remove the screw hole plug from top of cabinet and install it on the opposite side.



NOTE:

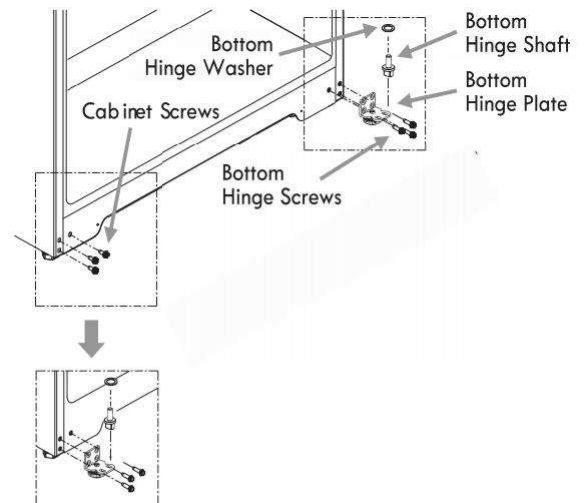
- Do not misplace the top hinge screws.
- Set the door on a non-scratching surface with the inside up.
- Do not let door to drop to the floor when setting it down, or the door stop could be damaged.

7. Tape the refrigerator door shut with masking tape. With a 5/16 " socket and ratchet, remove the middle hinge screws and middle hinge from the top of refrigerator door. Using a flat blade screwdriver, pry out the dome cap and the middle hinge hole cover and then re-install the cap & cover on the opposite side.



NOTE: Do not misplace the middle hinge screws and the middle hinge washer. If the washer is not on the hinge, check to see if it is stuck to the bottom of the door.

8. Remove the tape and carefully lift and remove refrigerator door.
9. With a 5/16 " socket and ratchet, remove the bottom hinge plate from lower corner of refrigerator and secure it on the opposite side
10. Remove the washer and shaft from the inside of the hinge plate and install them on the outside of the hinge plate.



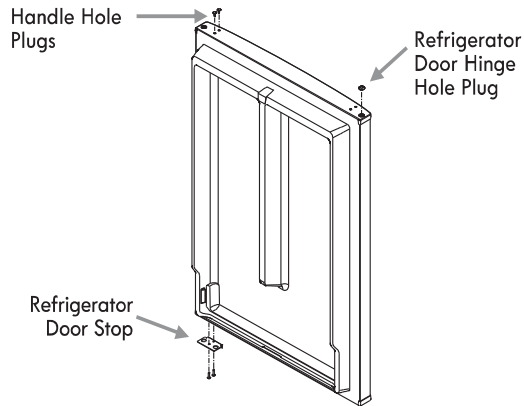
NOTE:

- Do not misplace the bottom hinge screws, cabinet screws and bottom hinge washer. If the washer is not on the hinge, check to see if it is stuck to the bottom of the door.
- Set the door on a non-scratching surface with the inside up.
- Do not let door to drop to the floor when setting it down, or the door stop could be damaged.

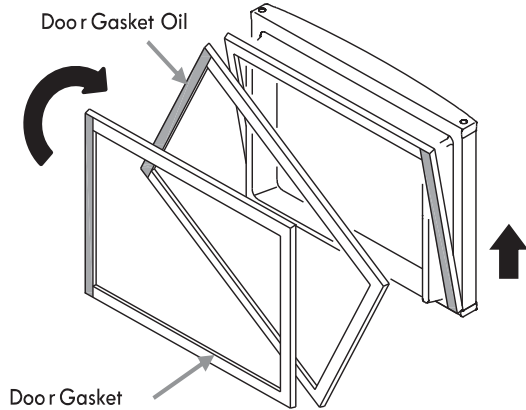
INSTALLATION INSTRUCTIONS

Reverse Doors (optional) (continued)

11. Remove the refrigerator door stop from the underside of refrigerator door and secure it on the opposite side with a Phillips screwdriver.
12. With a screwdriver, pry out the plugs from the top of refrigerator door and replace them on the opposite side.

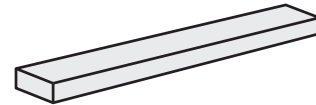


13. Remove the gaskets from freezer and refrigerator door. And then rotate them 180 degrees. Reassemble them by pushing from bottom to top.



NOTE: The oil on the gasket is normal. There is no need to clean the oil. It helps to prevent deformation of the hinge side of gasket. If more oil is needed, use Vaseline.

14. Carefully place refrigerator door onto the hinge plate in lower corner. Ensure that the washer is in place on top of the hinge shaft.
15. Attach the middle hinge with the screws removed from the opposite side and secure them using a 5/16" wrench.
16. Use foam door spacer to set the correct gap between the freezer and refrigerator door. Place spacer between the doors when tightening the freezer door top hinge.



NOTE: You may need to use the spacer again to set gap. Ensure the washer is in place on top of the hinge shaft.

17. Slide top hinge into place on freezer door and secure screws with 5/16 " wrench. Confirm that all screws have been tightened securely.
18. Snap hinge cap securely in place.
19. Replace front base grille. Remember to plug in your refrigerator and reset the controls to the appropriate setting(s).

INSTALLATION INSTRUCTIONS

Handle Installation

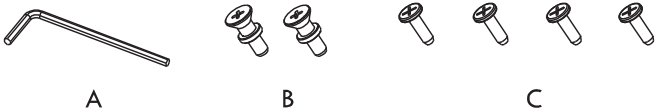
CAUTION : Use both hands to control tools and handles to prevent scratching the refrigerator.

Important: The handles can be installed on both the top and bottom. And also can be reversed for the setup of left swinging doors. Figure 1 show the installation orientation of the handles for right and left swing doors.



Tools required: Phillips screwdriver

Included Parts: Hex Wrench(A), Two Standoff Screws (B), Four Handle Screws (C)



For the installation of the handles, see Figure 1 (below) for correct orientation.

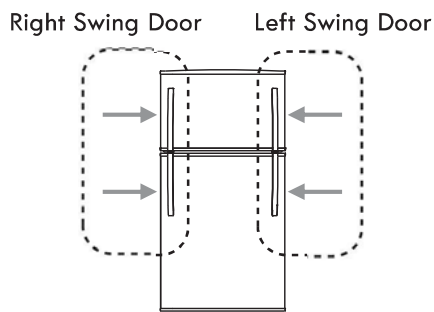
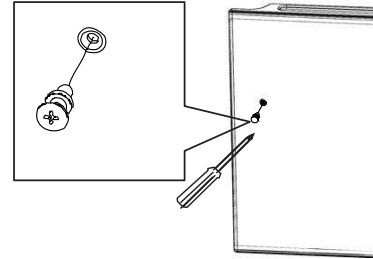


Figure 1

Step: 1.

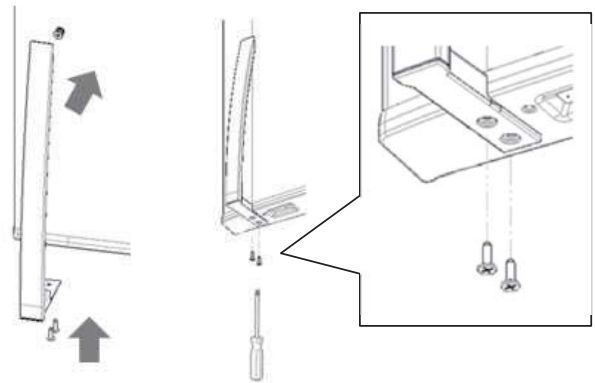
Install the standoff screws (B) (typically into both the freezer and refrigerator doors)



NOTE: Remove protective film before installing the handle. (on some models)

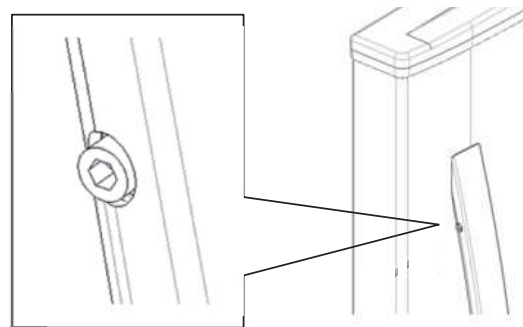
Step: 2.

Install the handle screws (C) (typically 2 per handle). Make sure the opposite end of the handle is placed over the standoff screw (B) prior to tightening the screws (C).



Step: 3.

Tighten the hex screw in the handles using the hex wrench provided.



INSTALLATION INSTRUCTIONS

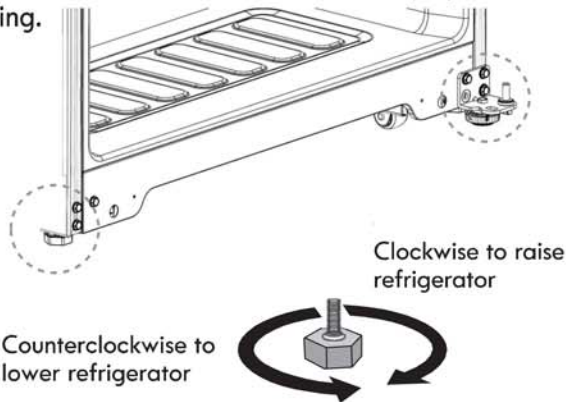
Adjusting the Doors

Leveling

Your refrigerator has two front adjustable legs - near each front corner of the refrigerator, next to the rollers. If your refrigerator seems unsteady or you want the doors to close easier, adjust the refrigerator's tilt using the following instructions:

1. Turn the two front leveling legs clockwise to raise the front of the refrigerator and counterclockwise to lower.

NOTE: Having someone push against the top of the refrigerator takes some weight off the leveling legs which makes it easier to adjust and helps prevent floor scuffing.



2. Open both doors again to make sure they close as easily as you like and that they stay closed. If not, tilt the refrigerator slightly more to the rear by turning both leveling legs clockwise.

NOTE:

- Before moving the refrigerator away from the wall be sure to turn the leveling legs counterclockwise so that the weight of the refrigerator is fully transferred to the front rollers.
- If the floor is not level and it is necessary to raise the rear of the refrigerator we suggest rolling the rear rollers onto a piece of plywood or other shim material.

Door Aligning

If the space between your doors looks uneven, you can adjust it using the following instructions:

NOTE: Use foam door spacer to set the correct gap between the freezer and refrigerator door. Place spacer between the doors when tightening the freezer door top hinge.

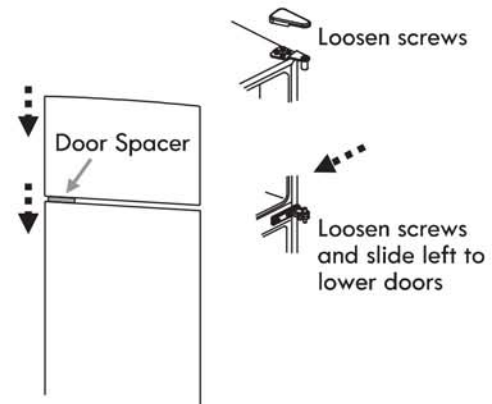


If the freezer door is too high:

1. Remove the hinge cap on top of the freezer door and loosen the screws with a 5/16 " socket and ratchet.
2. Place the door spacer between the doors to establish the correct gap and tighten the hinge screws.
3. Fully tighten all screws and replace the hinge cap.

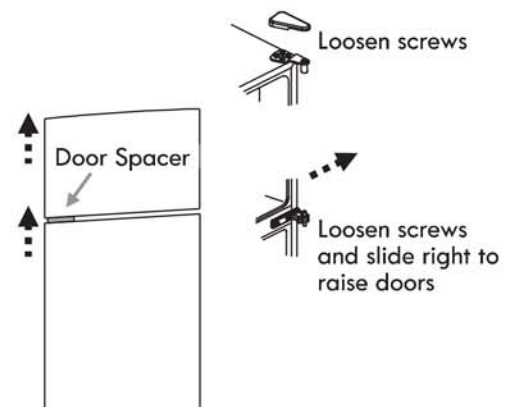
If both doors are too high:

1. Remove the hinge cap on top of the freezer door and loosen the screws with a 5/16 " socket and ratchet.
2. Loosen the two middle hinge screws with a 5/16 " socket and ratchet.
3. Slide the middle hinge to the left to lower the doors.
4. Fully tighten all screws and replace hinge cap.



If both doors are too low:

1. Remove the hinge cap on top of the freezer door and loosen the screws with a 5/16 " socket and ratchet.
2. Loosen the two middle hinge screws with a 5/16 " socket and ratchet.
3. Slide the middle hinge to the right to raise the doors.
4. Fully tighten all screws and replace hinge cap.



REFRIGERATOR USE

Using the Controls

Your refrigerator has two controls that affect the temperature.

The Temperature control is located at the top front of the refrigerator compartment and the Airflow control is located on the back wall of the freezer compartment.

Important:

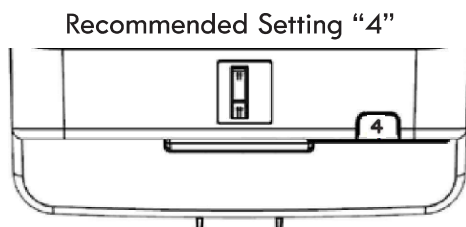
- The recommended setting should be correct for normal household refrigerator use. The controls are set correctly when milk or juice is as cold as you like and when ice cream is firm.
- Wait 24 hours for your refrigerator to cool completely before adding food. If you add food before the refrigerator has cooled completely, your food may spoil.

NOTE: Adjusting the refrigerator and freezer temperature controls to a colder than recommended setting will not cool the compartments any faster.

- If the temperature is too warm or too cold in the refrigerator or freezer, first check the air vents to be sure they are not blocked before adjusting the controls.

Refrigerator Temperature Control

The temperature control dial is calibrated in a range from 1 (least cold) to 7 (coldest). For your convenience, the temperature control is preset at the factory to the recommended setting (4).



NOTE: Your refrigerator will run continuously for several hours when you first start it. This is normal.

Adjusting the Temperature Control

If you need to adjust the temperature in the refrigerator (or freezer compartment), follow the indications in the TEMPERATURE CONTROL GUIDE table.

NOTE: Do not adjust the control more than one setting at a time. Wait 24 hours between adjustments for the temperature to stabilize.

- Garage Ready Settings: For optimal operation in a garage environment, set temperature control in refrigerator compartment to 4 and set temperature control in freezer compartment to Recommended.

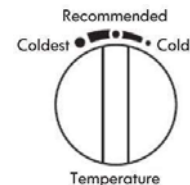
NOTE: Sustained exposure to ambient temperatures below 39°F (4°C) may result in freezing of food and beverages stored in the refrigeration section.

Freezer Temperature Control

The temperature control dial is calibrated in a range from "Coldest" to "Cold".

For your convenience, the Temperature control is preset at the factory to the recommended setting which is indicated on the dial.

Use the freezer temperature control to adjust the freezer temperature to your desired condition. It is recommended that when you plug in the refrigerator for the first time, make sure the control setting is on Recommended.



Adjusting the freezer Temperature

If you need to adjust the temperature in the freezer (or refrigerator compartment), follow the indications in the TEMPERATURE CONTROL GUIDE table below.

Important: Once the performance is achieved, return the Airflow control to the Recommended setting to keep the refrigerator operating at optimum efficiency.

TEMPERATURE CONTROL GUIDE

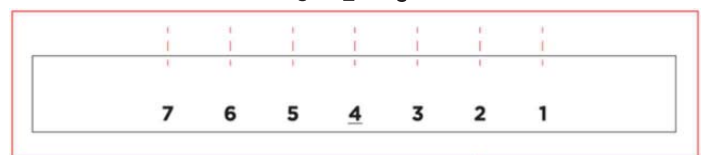
Condition/reason	Adjustment
REFRIGERATOR too warm	Refrigerator temperature Control one setting higher
FREEZER too warm/too little ice	Freezer Temperature Control one setting higher
REFRIGERATOR too cold	Refrigerator temperature Control one setting lower
FREEZER too cold	Freezer Temperature Control one setting lower
Faster Ice Production	COLDEST
High Temperature location (over 90 deg F)	COLDEST - To maintain ice making production rate

Demo Mode (For Store Use Only)

The Demo mode disables all cooling in the refrigerator and freezer sections to conserve energy while on display in a retail store. When Demo Mode is active, the refrigerator light will turn on while all other operations stops.

To activate : Turn the dial : 2 → 3 → 2

To deactivate : Turn the dial : 3 → 2 → 3



REFRIGERATOR USE

Frost Free

Your refrigerator is designed to defrost automatically

Warm Cabinet Surfaces

At times, the front of the refrigerator cabinet may be warm to the touch. This is a normal occurrence that helps prevent moisture from condensing on the cabinet. The condition will be more noticeable when you first start the refrigerator, during hot weather and after excessive or lengthy door openings.

Icemaker (on some models)

Turning the Icemaker On/Off

NOTE: Do not force the shutoff arm up or down.

- To turn the icemaker on, simply push the button. The icemaker starts with the LED lamp on.
- When the icemaker is not in use, or when the ambient temperature is 39°F (4°C) or less, or when a water cut-off is expected for more than 24 hours, press the icemaker button for 1 second. This will cause LED lamp to stop glowing and the icemaker to stop operating. If the ice maker is turned off while the motor of the icemaker is running, the motor will finish rotating and stop.

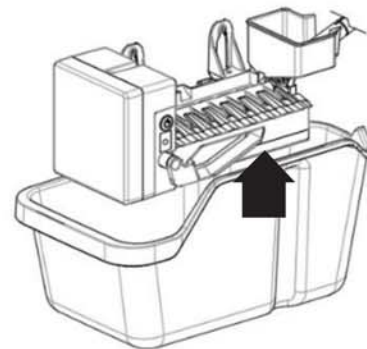
NOTE: Turn the icemaker off before removing the ice storage bin to serve ice or to clean the bin. This will keep the ice cubes from dropping out of the icemaker and into the freezer compartment. After replacing the ice storage bin, turn on the icemaker.

Ice Production Rate

- The icemaker should produce approximately 8 to 12 batches of ice in a 24 hour period. If ice is not being made fast enough, turn the freezer control toward a higher (colder) number in half steps. Wait 24 hours and, if necessary, gradually turn the freezer control to the highest setting, waiting 24 hours between each increase.

Remember

- The icemaker will not begin to operate until it reaches a temperature of 15°F (-9°C) or below. It will then begin operation automatically.
- In conditions of lower water pressure or first water supply, the icemaker water valve may turn on up to 7 times to deliver enough water to the icemaker.
- Ice will only begin to be produce after 24 hours. Discard the first three batches of ice produced. This water supply is not component of refrigerator, consumer can buy it from electric device stores.
- The quality of your ice will be only as good as the quality of the water supplied to your icemaker. Avoid connecting the icemaker to a softened water supply. Water softener chemicals (such as salt) can damage parts of the icemaker and lead to poor quality ice. If a softened water supply cannot be avoided, make sure the water softener is operating properly and is well maintained.
- Do not store anything on top of the icemaker or in the ice storage bin.



NOTE: Your icemaker has an automatic shutoff. As ice is made, the ice cubes will fill the ice storage bin and the ice cubes will raise the shutoff arm to the Full (arm up) position.

REFRIGERATOR FEATURES

Your model may have some or all of these features.

To know about glass shelves and covers:

Refrigerator Shelves

The shelves in your refrigerator are adjustable to match your individual storage needs.

Storing similar food items together in your refrigerator and adjusting the shelves to fit different heights of items will make finding the exact item you want easier. It will also reduce the amount of time the refrigerator door is open, and save energy.

Important:

- Do not clean glass shelves or covers with warm water when they are cold. Shelves and covers may break if exposed to sudden temperature changes or impact, such as bumping.
- Tempered glass is designed to shatter into many small, pebble-size pieces. This is normal.
- Glass shelves and covers are heavy. Use both hands when removing them to avoid dropping.
- Do not place warm or hot items in the refrigerator.

CAUTION: To avoid personal injury or property damage.

- Never attempt to adjust a shelf when it is loaded with food.
- Confirm that shelf is secure prior to loading items onto it.

Full Width Shelf

Select models are equipped with wire or glass full width shelves that are supported by rails molded into the interior walls of the fresh food compartment.

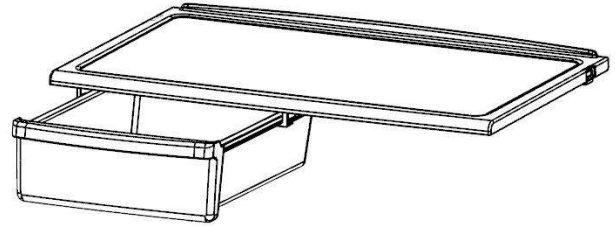
To remove and replace a full width shelf:

Remove food from the shelf.
Grasp each side of the shelf.
Pull the shelf forward approximately 1 inch (25mm).
While supporting the shelf from underneath, lift it up and out.
Slide the shelf into the desired alternate position.

Deli Drawer (Only applicable to some models)

To remove and replace the deli drawer:

1. Slide deli drawer out to the stop.
2. Lift front of deli drawer with one hand while supporting bottom of drawer with other hand. Slide drawer out the rest of the way.
3. Replace the drawer by sliding it back in fully past the drawer stop.



REFRIGERATOR FEATURES

Crisper

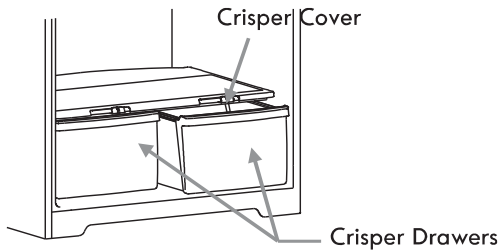
Crisper Drawers

The Crispers provide a storage area for fruit and vegetables.

Excess water that may accumulate in the bottom of the drawers or under the drawers should be wiped dry.

To remove and replace the crisper drawer:

1. Slide the crisper drawer straight out to the stop. Lift the front and slide the drawer out the rest of the way.
2. Replace the drawer by sliding the drawer in fully past the stop.

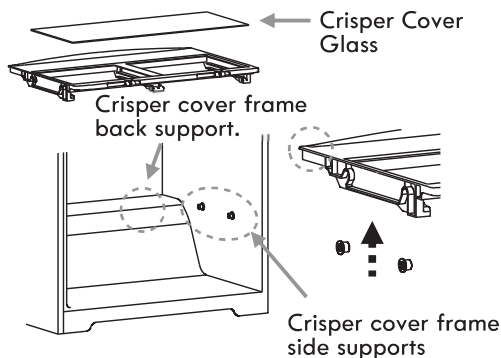


NOTE: If the refrigerator door prevents you from taking out a crisper drawer, first try removing any obstructing door bins. If bin removal still does not provide enough clearance, the refrigerator will need to be rolled forward from its installation position until the door can be opened enough to glide the drawers out.

Crisper Cover

To remove and replace the crisper cover:

1. Remove the food from the cover and then the crisper drawers.
2. Remove the glass pane from the cover frame.
3. Slightly lift up the front of the crisper cover frame.
4. Support the cover from underneath to lift it up and then out of the cabinet.
5. To replace the cover, tilt front of cover frame slightly up and carefully insert the back of the cover frame into the cabinet.
With the cover front tilted slightly upward, carefully insert the cover top back into the cabinet.
6. Position the back and sides of the cover on the supports and let the cover top settle into place.
7. Replace the glass by pushing the front edge firmly into the crisper cover. Replace the drawers.



Crisper Humidity Control

You can control the amount of humidity in the moisture-sealed crisper. For most fruits, slide the control (select models) to “lo” to provide and vegetables with skins lower humidity conditions in the drawer. For leafy vegetables, slide the control to “hi” to provide higher humidity conditions in the drawer. For best results, keep the crisper drawers tightly closed.



- Fruit: Wash, let dry and store in refrigerator in plastic bag or crisper. Do not wash or hull berries until they are ready to use. Sort and keep berries in original container in crisper, or store in a loosely closed paper bag on a refrigerator shelf.
- Vegetables with skins: Place in plastic bag or plastic container and store in crisper.
- Leafy vegetables: Wash in cold water, drain and trim or tear off bruised and discolored areas. Place in plastic bag or plastic container and store in crisper.

FREEZER FEATURES

⚠ CAUTION:

To avoid personal injury or property damage.

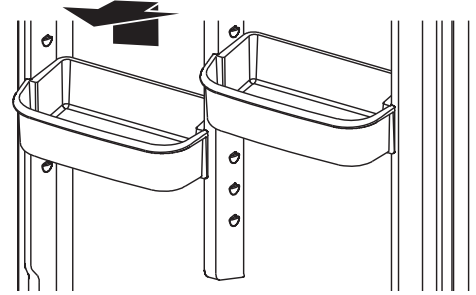
- Never attempt to adjust a shelf when it is loaded with food.
- Confirm that shelf is secure prior to loading items onto it.

DOOR FEATURES

Door Bins

To remove and replace the bins:

1. Remove the bin by lifting it and pulling it straight out.
2. Replace the bin by sliding it in above the desired support and pushing it down until it stops.

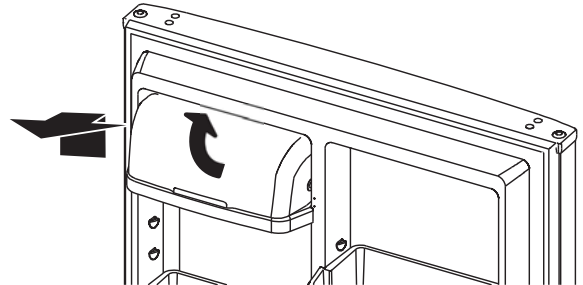


Dairy Compartment

The covered dairy compartment is designed to store spreadable food items such as butter or margarine. To use this compartment, simply raise the lid to store or retrieve items.

To remove for cleaning:

1. Grasp the dairy compartment from the bottom and lift up and out.



FOOD STORAGE GUIDE

Fresh Food Storage

- The fresh food compartment of a refrigerator should be kept between 34°F (1°C) and 40°F (4°C) with an optimum temperature of 37°F (3°C). To check the temperature, place an appliance thermometer in a glass of water and place in the center of the refrigerator. Check after 24 hours. If the temperature is above 40°F (4°C) adjust the control as explained on “**Temperature Control**” page.
- Avoid overcrowding the refrigerator shelves. This reduces the circulation of air around the food and results in uneven cooling.
- Storage in the crisper drawers traps humidity to help preserve the fruit and vegetable quality for longer time periods
- Sort fruits and vegetables before storage and use bruised or soft items first. Discard those showing signs of decay.
- Always wrap odorous foods such as onions and cabbage so the odor does not transfer to other foods.
- While vegetables need a certain amount of humidity to remain fresh, too much moisture can shorten storage times (especially leafy items). Drain vegetables well before storing.
- Raw meat and poultry should be wrapped securely so leakage and contamination of other foods or surfaces does not occur.
- Occasionally mold will develop on the surface of hard cheeses (Swiss, Cheddar, Parmesan). Cut off at least an inch around and below the moldy area. Keep your knife or instrument out of the mold itself. Do not try to save individual cheese slices, soft cheese, cottage cheese, cream, sour cream or yogurt when mold appears.
- Most dairy foods such as milk, yogurt, sour cream and cottage cheese have freshness dates on their cartons for appropriate length of storage. Store these foods in the original carton and refrigerate immediately after purchasing and after each use.

Freezer Food Storage

- The freezer compartment of a refrigerator should be kept at approximately 0°F (-18°C). To check the temperature, place an appliance thermometer between the frozen packages and check after 24 hours. If the temperature is above 0°F (-18°C), adjust the control as explained on “**Temperature Control**” page.
- Storage times will vary according to the quality and type of food, the type of packaging or wrap used (should be airtight and moisture-proof), and the storage temperature.
- Seal the package or container securely to avoid taste and odor transfer throughout the product. Ice crystals inside a sealed package are normal. This simply means that moisture in the food and air inside the package have condensed, creating ice crystals.
- A freezer operates more efficiently when it is at least 2/3 full. Leave a space between the packages so cold air can circulate freely, allowing food to freeze as quickly as possible.
- To minimize dehydration and quality deterioration use aluminum foil, freezer wrap, freezer bags or airtight containers. Force as much air out of the packages as possible and be sure they are tightly sealed. Trapped air can cause the food to dry out, change color and develop an off-flavor (freezer burn).
- Do not refreeze meat that has completely thawed.
- Avoid adding too much warm food to the freezer at one time. This overloads the freezer, slows the rate of freezing and can raise the temperature of frozen foods.
- Avoid storing hard-to-freeze foods such as ice cream and orange juice on the freezer door shelves. These foods are best stored in the freezer interior where the temperature varies less with door openings.

REFRIGERATOR CARE

Cleaning

WARNING



Explosion Hazard

Use nonflammable cleaner.

Failure to do so can result in death, explosion, or fire.

Both the refrigerator and freezer sections defrost automatically. However, clean both sections about once a month to avoid buildup of odors. Wipe up spills immediately.

Important: Because air circulates between both sections, any odors formed in one section will transfer to the other. You must thoroughly clean both sections to eliminate odors. To avoid odor transfer and drying out of food, wrap or cover foods tightly.

To Clean Your Refrigerator

Warning: To avoid electrical shock which can cause severe personal injury or death, disconnect the power cord before moving or cleaning the refrigerator.

NOTE: Do not use abrasive or harsh cleaners such as window sprays, scouring cleansers, flammable fluids, cleaning waxes, concentrated detergents, bleaches or cleansers containing petroleum products on exterior surfaces (doors and cabinet), plastic parts, interior and door liners or gaskets. Do not use paper towels, scouring pads, or other harsh cleaning tools.

1. Unplug refrigerator or disconnect power.
2. Hand wash, rinse, and dry removable parts and interior surfaces thoroughly. Use a clean sponge or soft cloth and a mild detergent in warm water.
3. Clean the exterior surfaces.

Painted metal: Wash painted metal exteriors with a clean, soft cloth or sponge and a mild detergent in warm water. Rinse surfaces with clean, warm water and dry immediately to avoid water spots.

Stainless Steel: Wash stainless steel surfaces with a clean, soft cloth or sponge and a mild detergent in warm water. Rinse surfaces with clean, warm water and dry immediately to avoid water spots.

NOTE: When cleaning stainless steel, always wipe in the direction of the grain to avoid cross-grain scratching.

Stainless Steel Cleaner

For best cleaning results, use Kenmore Stainless Steel Cleaner item #02240083 or equivalent. Available on Kenmore.com or by calling 1-844-553-6667.

4. There is no need for routine condenser cleaning in normal home operating environments. If the environment is particularly greasy or dusty, or there is significant pet traffic in the home, the condenser should be cleaned every 2 to 3 months to ensure maximum efficiency. If you need to clean the condenser:
 - Unplug and pull forward the refrigerator, and remove the rear cover(grille).
 - Use a vacuum cleaner with a soft brush to clean the rear cover, the open areas behind the rear cover and the front surface area of the condenser.
 - Replace the rear cover when finished.
5. Plug in refrigerator or reconnect power.

REFRIGERATOR CARE

Vacation and Moving Care

Vacations

If you choose to leave the refrigerator on while you're away:

1. Use up any perishables and freeze other items.
2. If your refrigerator has an automatic icemaker, and is connected to the household water supply, turn off the water supply to the refrigerator. Property damage can occur if the water supply is not turned off.
3. Press the power light on icemaker to turn it off.
4. Empty the ice bin.

If you choose to turn off the refrigerator before you leave:

1. Remove all food from the refrigerator.
2. Disconnect the refrigerator from the electrical outlet.
3. If your refrigerator has an automatic icemaker:
 - Turn off the water supply to the icemaker at least one day ahead of time.
 - Press the LED light to turn the icemaker off.
 - Bleed the water from the icemaker fill line and dry the icemaker thoroughly.
 - Make sure to remove all frozen items from the freezer compartment to prevent food from going bad.
4. Clean refrigerator, wipe it, and dry well.
5. Tape rubber or wood blocks to the tops of both doors to prop them open far enough for air to get in. This stops odor and mold from building up.

NOTE: If using an automatic icemaker, discard first two or three ice harvests, when refrigerator is put back into service .

Moving

1. If your refrigerator has an automatic icemaker:
 - Turn off the water supply to the icemaker at least one day ahead of time.
 - Disconnect the water line from the back of the refrigerator.
 - Press the LED light to turn the icemaker off.
2. Remove all food from the refrigerator and pack all frozen food in dry ice.
3. Empty the ice bin.
4. Unplug refrigerator.
5. Clean, wipe, and dry thoroughly.
6. Take out all removable parts, wrap them well, and tape them together so they don't shift and rattle during the move.
7. Depending on the model, raise the front of the refrigerator so it rolls more easily OR raise the leveling legs so they don't scrape the floor.
8. Tape the doors closed and tape the power cord to the back of the refrigerator.

When you get to your new home, put everything back and refer to the "Installation Instructions" section for preparation instructions. Also, if your refrigerator has an automatic icemaker, remember to reconnect the water supply to the refrigerator.

TROUBLESHOOTING GUIDE

First try the solutions suggested here or visit our website to possibly avoid the cost of a service call.

⚠ WARNING



Electrical Shock Hazard

Plug into a grounded 3 prong outlet.
 Do not remove ground prong. Do not use an adapter.
 Do not use an extension cord.
 Failure to follow these instructions can result in death, fire, or electrical shock.

⚠ WARNING



Explosion Hazard

Use nonflammable cleaner.
 Failure to do so can result in death, explosion, or fire.

Review this chart of troubleshooting tips first...you may not need to call for service at all.

GENERAL OPERATION

Problem	Possible Causes	What to Do
The refrigerator will not operate	Not connected to an electrical supply	Plug the power cord into a grounded 3 prong outlet. Do not use an extension cord.
	No power to the electrical outlet.	Plug in a lamp to see if the outlet is working.
	Household fuse blown or circuit breaker tripped.	Replace the fuse or reset the circuit breaker. If the problem continues, contact an electrician.
	New installation	Allow 24 hours following installation for the refrigerator to cool completely.
Runs too long, too frequently	Today's refrigerators start and stop more often to maintain even temperatures.	
	Normal at startup for new or recently installed units.	Wait 24 hours for refrigerator to completely cool down (see "Temperature Controls" page).
	Prolonged or frequent door openings.	This is normal. Minimize door openings.
	Door not sealing.	Check to see if something is preventing door from closing.
	Front base grille blocked.	Unblock to allow warm air to exit unit.
The door will not close completely	The door is blocked open	Move food packages away from door. Push bin or shelf back into the correct position. Make sure the crisper cover is fully pushed in, so that the back rests on the supports.
The door is difficult to open	Gaskets are dirty or sticky.	Clean gaskets and contact surfaces with mild soap and warm water. Rinse and dry with soft cloth.
Warm air from cabinet bottom	This is normal air flow for condenser circulation.	
There is interior moisture buildup.	Humid room	Contributes to moisture buildup in the refrigerator.
	Door(s) opened often or not closed completely.	Allows humid air to enter the refrigerator. Minimize door openings and keep door fully closed.
Cabinet vibrates	Cabinet not level. Weak floor.	Level cabinet.
Odor in cabinet	Odor producing foods not covered.	Cover or wrap odorous foods tightly. Clean cabinet.

TROUBLESHOOTING GUIDE

TEMPERATURE

Problem	Possible Causes	What to Do
Freezer, refrigerator too warm	New installation	Allow 24 hours following installation for the refrigerator to cool completely.
	Control set too warm. Prolonged door openings.	Adjust temperature control. Minimize door openings.
	A large amount of warm food has been recently added.	Allows several hours for refrigerator to return to normal temperature.
	Products with high sugar content may not harden completely when frozen.	
Freezer, refrigerator too cold	Control set too cold.	Adjust temperature control.

NOISE

Problem	Possible Causes	What to Do
The refrigerator is noisy NOTE: Refrigerator noise has been reduced over the years. Due to this reduction in operating noise, you may notice unfamiliar noises that are normal.	Normal noise: buzzing	Heard when the water valve opens to fill the icemaker
	Normal noise: clicking/Snapping	Valves opening or closing
	Normal noise: pulsating	Fans/compressor adjusting to optimize performance
	Normal noise: sizzling/Gurgling	Water dripping on the heater during defrost cycle
	Normal noise: popping	Contraction/expansion of inside walls, especially during initial cool-down.
	Normal noise: water running	May be heard when ice melts during the defrost cycle and water runs into the drain pan.
	Normal noise: creaking/cracking	Occurs as ice is being ejected from the icemaker mold.
	Cabinet not level.	Level cabinet.

TROUBLESHOOTING GUIDE

Icemaker

Problem	Possible Causes	What to Do
The icemaker is not producing ice or not enough ice (on some models)	The icemaker is not connected to a water supply	Connect refrigerator to water supply and turn water shutoff valve fully open.
	A kink in the line can reduce water flow	Straighten the water source line
	Icemaker is not turned on	Make sure the icemaker wire shutoff arm or switch (depending on model) is in the ON position.
	New installation	Ice will only begin to be produce after 24 hours.
	Large amount of ice recently removed	Allow sufficient time for icemaker to produce more ice.
	Ice cube jammed in the icemaker ejector arm	Remove ice from the ejector arm with a plastic utensil.
	A reverse osmosis water filtration system connected to your cold water supply can decrease water pressure	See "Water Supply Requirements."
The ice cubes are hollow or small (on some models) NOTE: This is an indication of low water pressure.	The water valve is not completely open	Turn the water shutoff valve fully open
	A kink in the line can reduce water flow	Straighten the water source line.
	A reverse osmosis water filtration system connected to your cold water supply can decrease water pressure	See "Water Supply Requirements"
	Supply line or shutoff valve is clogged.	Call a licensed, qualified plumber
Off-taste, odor or gray color in the ice (on some models)	New plumbing connections can cause discolored or off-flavored ice	Discard the ice and wash the ice storage bin. Allow 24 hours for the icemaker to make new ice, and discard the first 3 batches of ice produced.
	Ice stored too long can develop an off-taste	Discard ice. Wash ice bin. Allow 24 hours for icemaker to make new ice.
	Food odor transferring to ice	Use airtight, moisture proof packaging to store food.
	There are minerals (such as sulfur) in the water	A water filter may need to be installed to remove the minerals.

Manual de uso y cuidado

Español

Kenmore®

Top Mount Refrigerator

Refrigerador-Congelador Superior

Model: 6049#, 7049#, 6076#, 7076#

#=color number

P/N 30139K2801

Transform SR Brands Management LLC

Hoffman Estates, IL, U.S.A. 60179

www.kenmore.com



T18PBK-02-V1

TABLA DE CONTENIDOS

REGISTRO DE PRODUCTO	33	CARACTERÍSTICAS DEL REFRIGERADOR	50
GARANTIA	34	Parrillas del Refrigerator	50
REFRIGERADOR SEGURO	35-36	Cajón Deli.....	50
Deshacerse de su viejo refrigerador	37	Recipiente de verduras	51
INSTRUCCIONES DE INSTALACION	38	CARACTERÍSTICAS DEL CONGELADOR	52
Desempaque del Refrigerador.....	38	CARACTERISTICAS DE LA PUERTA	53
Requisitos de ubicación	39	Guías de anaqueles	53
Requisitos eléctricos	39	Compartimento util	53
Partes y características.....	40	ALMACENAMIENTO DE ALIMENTOS	54
Requisitos de suministro de agua	41	Alimentos frescos.....	54
Conectar el Suministro de agua.....	41	CUIDADO DEL REFRIGERADOR	55
Connectar el Refrigerador	42	Limpieza.....	55
Completar la Instalación.....	43	Como limpiar su Refrigerador.....	55
Instalacion de la cubierta frontal	44	Vacaciones y Cuidado al trasladar	56
Cambio de aperture de puertas	44-45	GUIA PARA SOLUCIONAR PROBLEMAS	57
Instalacion de Manijas.....	46	NUMERO DE SERVICIO	CONTRAPORTADA
Ajuste de Puertas.....	47		
USO DEL REFRIGERADOR	48		
Usando los Controles	48		
Fabrica de hielo.....	49		

REGISTRO DE PRODUCTO

En el espacio a continuación, registre el momento de la compra, modelo y número de serie de su producto. Va a encontrar el modelo y número de serie impreso en una etiqueta de identificación ubicada en el revestimiento interior del compartimiento del refrigerador. Tiene elementos de tesis de la información disponible siempre va a tocar Sears Concerniente su producto.

Modelo No. _____

Fecha de Compra _____

Serial No. _____

Guarde las instrucciones y adjunte el recibo de compra para referencia futura.

GARANTIA LIMITADA KENMORE



GARANTIA DEL REFRIGERADOR

Garantía limitada de KENMORE

Si este electrodoméstico ha sido correctamente instalado, operado y mantenido de acuerdo con todas las instrucciones provistas, la siguiente garantía cubre el comprobante de venta original.

Aparato 1 año

Este aparato está garantizado contra defectos de material o mano de obra durante un año a partir de la fecha de venta original. Los electrodomésticos defectuosos son elegibles para una reparación gratuita. Si el dispositivo no se puede reparar, se reemplazará sin cargo.

Vida útil del contenedores de almacenamiento

Ofrecemos un reemplazo gratuito para los refrigeradores o congeladores defectuosos, siempre y cuando se utilicen a partir de la fecha de venta original.* Recipientes nuevos gratuitos instalados dentro de un año de la falla. Si ocurre un defecto después del primer año, se proporcionará un contenedor nuevo sin cargo, pero no se instalará. Esta garantía de por vida se aplica solo contenedor de almacenamiento y no se aplica a ningún otro componente o mecanismo relacionado. Usted es responsable de los costos de mano de obra para la instalación del compartimientos un año después de la fecha de venta inicial. * La garantía se aplica a los compartimentos de las puertas, cajones y cestas. Los defectos deben ser verificados por personal de servicio autorizado de Sears.

Para obtener detalles sobre la garantía para recibir reparación o reemplazo gratuitos, consulte la siguiente página web: www.kenmore.com/warranty

Si utiliza este electrodoméstico para cualquier otro propósito que no sea su propio hogar, todas las garantías son válidas solo por 90 días a partir de la fecha de venta original.

Esta garantía cubre únicamente defectos de material y mano de obra y no cubre el costo de:

1. consumibles, incluidos, entre otros, filtros, correas, bolsas o bombillas básicas de rosca;
2. El técnico de servicio limpiará o mantendrá este electrodoméstico o le indicará al usuario que instale, opere y mantenga correctamente el electrodoméstico.
3. Solicitudes de servicio para corregir instalaciones de electrodomésticos no realizadas por un agente de servicio autorizado de Sears o para reparar problemas con fusibles domésticos, disyuntores, cableado y plomería domésticos o sistemas de suministro de gas que resulten de dicha instalación.
4. Daños o fallas de esta unidad debido a una instalación no realizada por un agente de servicio autorizado de Sears, incluida la instalación que no cumple con las normas de electricidad, gas o plomería.
5. Daño o falla de esta unidad (incluyendo decoloración u oxidación de la superficie) si no se realiza la operación y el mantenimiento adecuados de acuerdo con todas las instrucciones provistas. Damage to or failure of this appliance, including discoloration or surface rust, resulting from accident, alteration, abuse, misuse or use for other than its intended purpose.
6. Daño o falla de este producto (incluyendo decoloración u oxidación de la superficie) debido al uso de detergentes, agentes de limpieza, productos químicos o herramientas distintas a las recomendadas en todas las instrucciones de este producto
7. Daños o fallas de piezas o sistemas causados por modificaciones no autorizadas de este aparato.
8. Servicio para el electrodoméstico si el modelo y la placa de serie faltan o están alterados, o si no es posible determinar fácilmente si está presente el logotipo de certificación apropiado.

Renuncia de garantías implícitas; limitación de remedios

El único y exclusivo recurso del cliente bajo esta garantía limitada será la reparación o el reemplazo del producto según lo dispuesto en este documento. Las garantías implícitas, incluidas las garantías de comerciabilidad o idoneidad para un propósito particular, están limitadas a un año en el electrodoméstico y durante el tiempo que se use en los recipientes de almacenamiento, o el período más breve permitido por la ley. El vendedor no será responsable por daños incidentales o consecuentes. Algunos estados y provincias no permiten la exclusión o limitación de daños incidentales o consecuentes, ni la limitación de la duración de las garantías implícitas de comerciabilidad o idoneidad, por lo que es posible que estas exclusiones o limitaciones no se apliquen en su caso.

Esta garantía se aplica únicamente mientras este electrodoméstico se usa en los Estados Unidos.

Esta garantía le otorga derechos legales específicos y también puede tener otros derechos que varían de un estado a otro.

Transform SR Brands Management LLC, Hoffman Estates, IL 60179

SEGURIDAD DEL REFRIGERADOR

Su seguridad y la seguridad de los demás son muy importantes

Hemos provisto muchos mensajes importantes de seguridad en este manual y en su electrodoméstico. Lea y obedezca siempre todos los mensajes de seguridad.



Este es el símbolo de alerta de seguridad.

Este símbolo le avisa de los peligros potenciales que pueden ocasionar la muerte a usted y a los demás.

Todos los mensajes de seguridad irán a continuación del símbolo de advertencia de seguridad y de la palabra "ADVERTENCIA" o "PELIGRO". Estas palabras significan:

! PELIGRO

Usted puede morir o sufrir una lesión si no sigue inmediatamente estas instrucciones.

! PRECAUCIÓN

Usted puede morir o resultar seriamente lesionado si no sigue las instrucciones.

Todos los mensajes de seguridad le dirán el peligro potencial, le dirán cómo reducir el riesgo de lesiones, y lo que puede suceder si no se siguen las instrucciones.

INSTRUCCIONES IMPORTANTES DE SEGURIDAD

ADVERTENCIA: Para reducir el riesgo de incendio, descarga eléctrica o lesiones personales al usar el refrigerador, siga las precauciones básicas, incluyendo las siguientes:

- Conecte a un contacto de 3 terminales con conexión a tierra.
- No quite el terminal de tierra.
- No modifique el enchufe del cable de alimentación. Si el enchufe no entra en la toma de corriente eléctrica, instale el tomacorriente adecuado por un electricista calificado.
- No utilice un adaptador de dos terminales, cable de extensión o extensión multicontacto.
- No repare o reemplace ninguna pieza del refrigerador a menos que se recomiende en el manual de usuario o publicadas en el manual de reparación. No intente hacer servicio si las instrucciones no están suficientemente claras o si son demasiado complicadas para sus conocimientos.
- Siempre desconecte el refrigerador del suministro eléctrico antes de realizar cualquier servicio.
- Desconecte el cable de alimentación tirando del enchufe, no del cable.
- Instalar el refrigerador de acuerdo con las instrucciones de instalación. Todas las conexiones de agua, energía eléctrica y puesta a tierra deben cumplir con los códigos locales y ser realizadas por personal autorizado cuando sea necesario.
- Mantenga su refrigerador en buenas condiciones. Los golpes o caídas pueden dañar el refrigerador o causar un mal funcionamiento o fugas. Si el daño se produce, tiene que revisarse el refrigerador por un técnico de servicio calificado.
- Reemplace los cables de alimentación desgastados y / o enchufes sueltos.
- Siempre lea y siga las instrucciones de almacenamiento y conservación ideal del fabricante para los productos que se almacenan en el refrigerador.
- Su refrigerador no debe ser operado en presencia de vapores explosivos.
- Retire las puertas de su refrigerador viejo.
- Los niños no deben subir, colgar o pararse en ninguna parte del refrigerador.
- Limpie los derrames o fugas de agua asociados con la instalación de agua.
- Use un limpiador no inflamable .
- Mantenga los materiales y vapores inflamables, tales como gasolina, alejados del refrigerador.
- Use dos o más personas para mover e instalar el refrigerador.
- Desconecte la alimentación antes de instalar la fábrica de hielo (solamente en aquellos modelos preparados para instalar).

GUARDE ESTAS INSTRUCCIONES

INSTRUCCIONES IMPORTANTES DE SEGURIDAD

Este aparato no debe ser utilizado por personas (incluidos niños) con capacidades físicas, sensoriales o mentales reducidas, o por falta de experiencia o conocimiento, a menos que hayan sido supervisadas o instruidas sobre el uso del aparato por una persona responsable de su seguridad.

Si el cable de alimentación está dañado, debe ser reemplazado por el fabricante, su agente de servicio o personas calificadas similarmente para evitar un peligro.

PELIGRO. riesgo de incendio o explosión Refrigerante inflamable utilizado. No use dispositivos mecánicos para descongelar el refrigerador. No perforo la tubería del refrigerante.

PELIGRO. riesgo de incendio o explosión Refrigerante inflamable utilizado. Para ser reparado solo por personal de servicio capacitado. No perforo la tubería del refrigerante.

PRECAUCIÓN. riesgo de incendio o explosión Refrigerante inflamable utilizado. Consulte el manual de reparación / la guía del propietario antes de intentar reparar este producto. Se deben seguir todas las precauciones de seguridad.

PRECAUCIÓN. riesgo de incendio o explosión Deseche adecuadamente de acuerdo con las regulaciones federales o locales. Refrigerante inflamable utilizado.

PRECAUCIÓN. riesgo de incendio o explosión debido a una perforación en tubería de refrigerante; siga las instrucciones de manejo cuidadosamente. Refrigerante inflamable utilizado.

ADVERTENCIA. mantenga las aberturas de ventilación, en el recinto del artefacto o en la estructura incorporada, libres de obstrucciones.

ADVERTENCIA. no use dispositivos mecánicos u otros medios para acelerar el proceso de descongelación, que no sean los recomendados por el fabricante.

ADVERTENCIA. no dañe el circuito de refrigerante

ADVERTENCIA. no use aparatos eléctricos dentro de los compartimentos de almacenamiento de alimentos del artefacto, a menos que sean del tipo recomendado por el fabricante.

ADVERTENCIA. conectarse al suministro de agua potable solamente.

PELIGRO. riesgo de atrapamiento de niños. Antes de tirar su viejo refrigerador o congelador : Quite las puertas. Deje los estantes en su lugar para que los niños no puedan subir fácilmente al interior.

ESPECIFICACIONES

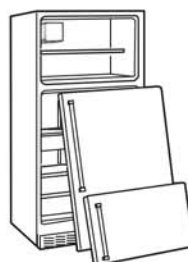
MODELOS		6049#, 7049#, 6076#, 7076#	
DIMENSIONES EXTERNAS	ANCHO	29.8 in	
	PROFUNDIDAD	31.3 in	
	ALTO	67.0 in	
PESO NETO		168 lbs	
CARACTERISTICAS DEL SISTEMA	CAPACIDAD DEL CONGELADOR	5.2 cu ft	
	CAPACIDAD ALIMENTOS FRESCOS	13.1 cu ft	
	CAPACIDAD TOTAL	18.3 cu ft	
	REFRIGERANTE	R600a	
	SISTEMA DE DESHIELO	POR RESISTENCIA, TIPO SEATH	
		AUTOMATICO	
SISTEMA DE ENFRIAMIENTO	CONVECCIÓN FORZADA		
VOLTAJE	115V/60Hz		
POTENCIA DE ENTRADA DE ICE MAKER (OPCIONAL)		145 W	
MAXIMA PRESIÓN DE ENTRADA DE AGUA		827 kPa (120psi)	
MINIMA PRESION DE ENTRADA DE AGUA		207 kPa (30psi)	

Eliminación apropiada de su Viejo Refrigerator

⚠ PELIGRO

Peligro atrapamiento y asfixia de niños

Retire las puertas de su refrigerador viejo
El no hacerlo puede resultar en la muerte o daño cerebral.



Antes de deshacerse de su viejo refrigerador o congelador:

- Quite las puertas
- Deje las parrillas en su lugar para que los niños no puedan entrar fácilmente en el interior.

Refrigeradores desechados o abandonados son peligrosos - “Pocos días”, incluso si se van a dejar Si se va a deshacer de su refrigerador viejo, por favor siga estas instrucciones para ayudar a prevenir accidentes.

Información importante para saber acerca de la eliminación de los refrigerantes:

Disponer del refrigerador en conformidad con los reglamentos federales y locales. Los Refrigerantes deben ser evacuados por una EPA con técnicos en refrigeración con licencia y certificación de conformidad con los procedimientos establecidos.

CALIFORNIA PROPOSITION 65

⚠ ADVERTENCIA

El uso de este electrodoméstico puede exponerlo a productos químicos conocido por el estado de California como causante de cáncer, nacimientos defectuosos u otros daños reproductivos. Para más información vea la página web: www.P65Warnings.ca.gov

INSTRUCCIONES DE INSTALACION

Desempaque del Refrigerator

PRECAUCION

Peligro de Peso Excesivo

Use dos o mas personajes para mover e Instalar el refrigerador.
El no hacerlo puede resultar en lesiones de espalda u otras

Remover el empaque

- Retire la cinta y los residuos de pegamento de las superficies antes de encender el refrigerador. Frote una pequeña cantidad de jabón líquido sobre el adhesivo con los dedos. Limpie con agua tibia y seque.

NOTA: No use instrumentos filosos, alcohol para fricciones, líquidos inflamables o productos de limpieza abrasivos para eliminar restos de cinta adhesiva o pegamento. Estos productos pueden dañar la superficie de su refrigerador. Para obtener más información, consulte “Seguridad del refrigerador”.

- Eliminar / reciclar todos los materiales de embalaje.

Importante: No quite el unisel de retorno de aire que se encuentra en la parte trasera del panel de control en la parte superior del conservador. Esta pieza es parte del refrigerador y no de material de embalaje. Si se quita el inserto, el hielo puede bajar del congelador y formar carámbanos.

Cuando mueva su Refrigerador:

Su refrigerador es muy pesado. Al mover el refrigerador para la limpieza o servicio, asegúrese de cubrir el suelo con cartón o madera para evitar daños en el piso. Siempre jale del refrigerador recto al moverlo. No menee o “camine” el refrigerador cuando se trata de mover ya que podría dañar el piso.

Limpieza antes de utilizar

- Después de quitar todos los materiales de empaque, limpie el interior de su refrigerador antes de usarlo. Vea las instrucciones de limpieza en “Cuidado de su refrigerador.”

Información importante para saber acerca de los estantes y tapas de vidrio:

No limpie las parrillas de vidrio con agua tibia cuando están frías. Los parrillas y cubiertas pueden romperse si se exponen a cambios bruscos de temperatura o impacto, como un golpe brusco. El vidrio templado está diseñado para romperse en muchos pedazos, guijarros de pequeño tamaño. Esto es normal. Parrillas de vidrio y tapas son pesadas. Use ambas manos al sacarlos para evitar que se caigan.

INSTRUCCIONES DE INSTALACION

Requisitos de ubicación

⚠ PELIGRO



Riesgo de Explosión

Mantenga los materiales y vapores inflamables, tales como gasolina, alejados del refrigerador.

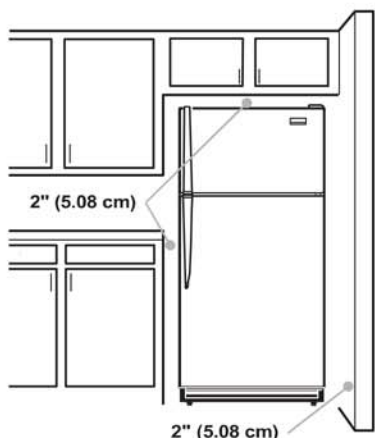
El no hacerlo puede ocasionar la muerte, explosión o incendio.

Importante: Este refrigerador está diseñado para uso en interiores doméstico.

Para garantizar una ventilación adecuada para su refrigerador, deje 2" (5,08 cm) de espacio a cada lado y en la parte superior. Permita 2" (5,08 cm) de espacio detrás del refrigerador. Si su refrigerador tiene una máquina de hielo, que haya espacio adicional en la parte posterior de las conexiones de la línea de agua. Cuando se instala el refrigerador próximo a una pared fija, deje "(5,08 cm) de espacio mínimo en el lado de la bisagra (algunos modelos requieren más) para permitir que la puerta se pueda abrir.

NOTA: Este refrigerador está diseñado para uso en un lugar donde la temperatura varía desde un mínimo de 38 ° F (3,3 ° C) a un máximo de 110 ° F (43 ° C). El intervalo de temperatura ambiente ideal para un rendimiento óptimo, lo que reduce el consumo de electricidad y proporciona una refrigeración superior, es de entre 60 ° F (15 ° C) y 90 ° F (32 ° C). Se recomienda que no se instale el refrigerador cerca de una fuente de calor, como un horno o un radiador.

Tenga cuidado al instalar la unidad sobre pisos de vinilo o madera, para no marcar o dañar el suelo. Un trozo de madera contrachapada, una alfombra u otro material se debe utilizar para proteger el suelo, mientras que se posiciona la unidad.



Requisitos electricos

⚠ PELIGRO



Riesgo de shock Electrico

Tomacorriente de 3 terminales

No remueva la conexión a tierra

No utilice adaptadores.

No utilice una extensión del tomacorriente.

El incumplimiento de estas instrucciones puede ocasionar la muerte, incendio o una descarga eléctrica..

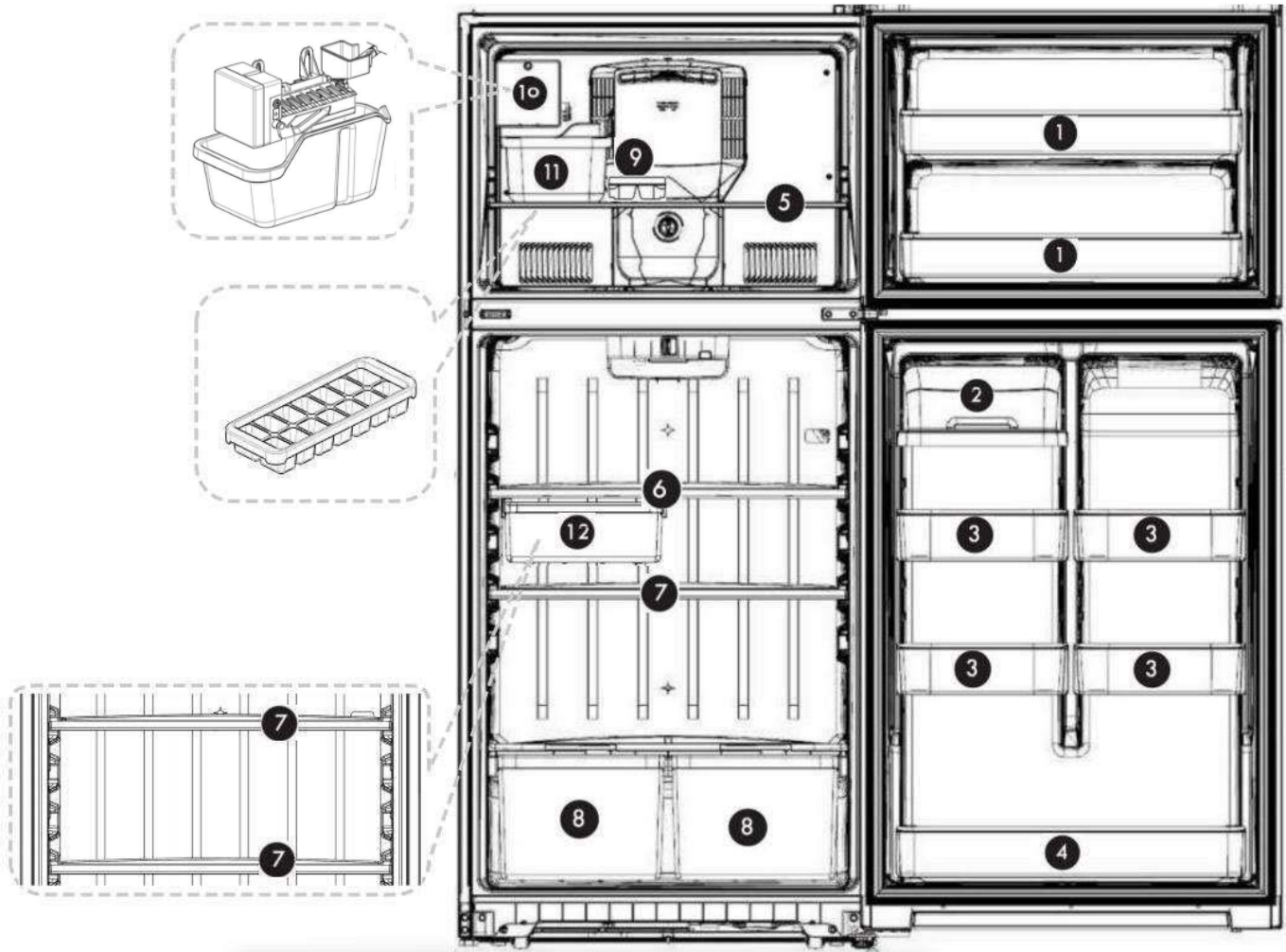
Antes de mover el refrigerador a su ubicación final, es importante asegurarse de que tiene la conexión eléctrica adecuada.

Método de conexión a tierra recomendado

Se requiere solamente una toma 115 voltios, 60 Hz, CA protegida a 15 ó 20 amperios conectada a tierra. Se recomienda que se proporcione un circuito separado sólo para su refrigerador. Utilice una toma de corriente que no se puede apagar con un interruptor. No utilice un cable de extensión.

NOTA: Antes de realizar cualquier tipo de instalación o limpieza, desconecte el refrigerador de la fuente eléctrica. Cuando haya terminado, vuelva a conectar el refrigerador a la fuente eléctrica.

PARTES Y OPERACIONES



* Este manual de instrucciones se refiere a varios modelos. Las características pueden variar según el modelo

1. Contenedor de la puerta del congelador
2. Compartimiento para lácteos separables como mantequilla o margarina.
3. Compartimiento de la puerta mediano ajustable
4. Compartimiento de la puerta de conservador completo (aplicable solo a algunos modelos)
5. Parrilla de vidrio
6. Parrilla de vidrio con gaveta de deli
7. Parrilla de vidrio
8. Cajón para almacenamiento de frutas y verduras con control de humedad
9. Bandeja de hielos (Opcional)
10. Máquina para fabricar hielos
11. Caja de hielo
12. Gaveta de deli (aplicable solo a algunos modelos)

INSTRUCCIONES DE INSTALACION

Requerimientos de suministro de agua(opcional)

Esta instalación de la línea de agua no es garantizada por el fabricante de refrigeradores ni por el fabricante de la heladería. Sigán estas instrucciones cuidadosamente para minimizar el riesgo de daños costosos en el agua,

Recoge las herramientas y los suministros necesarios antes de comenzar la instalación. Lea y siga las instrucciones asociadas con herramientas y suministros.

Herramientas necesarias:

- Destornillador de vela plana
- Destornillador Philips
- Con llaves de punta 1/2" o ajustables
- Borra y bit de perforación(sólo necesaria para instalar una válvula de silla)

Suministros necesarios:

- tubos y accesorios de agua (para conectarse al suministro de agua doméstico). Las suministros necesarios dependen del tipo de conexión de suministro de agua necesaria
- Ejemplos:
 - 1/4 de diámetro exterior, un kit de tubos de cobre con nueces y mangas de compresión
 - Kit de tubos de plástico con punta moldeada diseñado específicamente para esta aplicación
 - Válvula de seda (incluida en algunos kits) – Ve “Válvula de apagón para conectar...” en esta página

Importante:

- Asegúrate de que se esté conectando a un suministro de agua potable
- Instala tubos de cobre sólo en áreas donde la temperatura del hogar se mantenga por encima de la congelación
- Para prevenir quemaduras y daños del producto, no conecte la línea de agua del refrigerador a la agua caliente.
- Todas las instalaciones deben cumplir los requisitos del código local de plomería
- Cuando se usa un dispositivo eléctrico (como perforación de energía) durante la instalación, asegúrate de que el dispositivo esté doblemente aislado o castigado de manera que prevenga el choque eléctrico, o que use un dispositivo impulsado por baterías
- Asegurate si hay filtraciones de agua antes de enchufarse en el refrigerador

NOTA: Si su línea de agua de cobre existente tiene un abocardado encajando al final, necesitará un adaptador (disponible en tiendas de suministros de plomería) para conectar la línea de agua al refrigerador O puede cortar el accesorio abocinado con un cortatubos y luego use un accesorio de compresión.

Válvula de cierre para conectar a la línea de agua fría

La válvula de cierre debe tener una entrada de agua con un diámetro interior mínimo de 5/32" (3,97 mm) en el punto de conexión a la línea de agua fría.

Las válvulas de cierre tipo silla de montar se incluyen en muchos kits de suministro de agua. Antes de comprar, asegúrese una válvula tipo silla de montar cumple con su local códigos de plomería. Las válvulas de seda de tipo perforador no son recomendadas, incluso si se permite el código local de plomería. Instale la válvula de cierre en la línea de agua potable de uso frecuente más cercana.

Presion de agua

Importante: Se necesita un suministro de agua fría con presión de agua entre 30 y 120 psi (207 y 827 kPa) para hacer funcionar la fábrica de hielo.

NOTA: Si la presión del agua es inferior a lo que se requiere, los cubitos de hielo podrían ser en forma irregular o con huecos. Si tiene alguna pregunta acerca de la presión del agua, llame a un plomero competente autorizado.

Osmosis inversa de agua de alimentación

Si un sistema de filtración de agua de ósmosis inversa está conectado al suministro de agua fría, la presión de agua del sistema osmosi inversa necesitará ser de un mínimo de 40 a 60 psi (276 a 414 kPa). Si la máquina de hielo todavía no está funcionando correctamente:

- Compruebe si el filtro de sedimentos en el sistema de ósmosis inversa está bloqueado. Vuelva a colocar el filtro si es necesario.
- Permita que el tanque de almacenaje del sistema de ósmosis inversa vuelva a llenar después del uso intenso.

Conecte el suministro de agua(opcional)

Lea todas las instrucciones antes de comenzar.

Nota: Este ejemplo es para una instalación de válvulas de silla. Cuando ya está presente una válvula de apagón, no se necesita una válvula de silla.

Importante: Si enciende el refrigerador antes de conectar la línea de agua, APAGUE la máquina de hielo.

Conecte la línea de agua

1. Desenchufe el refrigerador o desconecte la energía.
2. CIERRE el suministro principal de agua. ABRA el grifo más cercano el tiempo suficiente para despejar la línea de agua.
3. Ubique una tubería vertical de agua fría de 1/2" a 1-1/4" (1,25 cm a 3,18 cm) cerca del refrigerador.

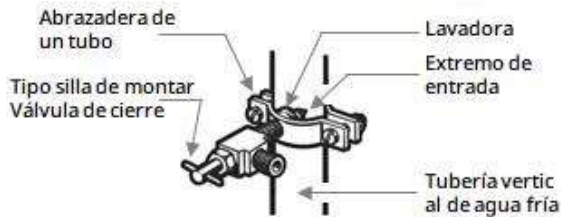
Importante:

- Asegúrate de que sea una tubería de agua fría.
 - La tubería horizontal funcionará, pero taladre en la parte superior de la tubería, no en la parte inferior. Esto ayudará a mantener el agua alejada del taladro y los sedimentos normales se acumularán en la válvula.
4. Determine la longitud de la tubería de cobre que necesita. Mida desde la conexión en la parte trasera inferior izquierda del refrigerador hasta la tubería de agua. Agregue 8 pies (2,4 m) para permitir la limpieza. Utilice 1/4" (6,35 mm) de D.E. (diámetro exterior) tubería de cobre. Asegúrese de que ambos extremos del tubo de cobre estén cortados en ángulo recto.

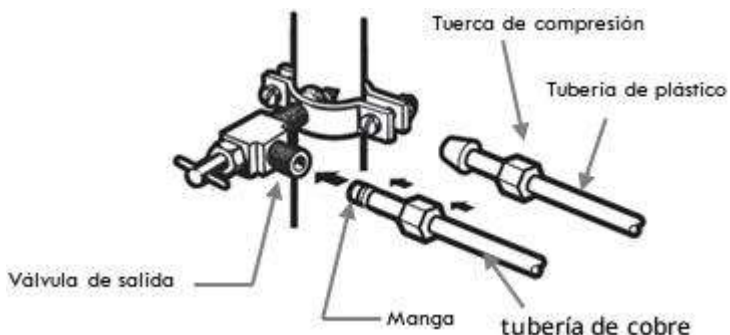
INSTRUCCIONES DE INSTALACION

Conecte el suministro de agua(continua)

5. Taladre un orificio de $\frac{1}{4}$ " en la tubería de agua fría (incluso si usa una válvula autoperforante), usando una broca afilada. Elimine las rebabas resultantes de perforar el orificio en la tubería. Tenga cuidado de que no entre agua en el taladro. Si no se perfora un orificio de $\frac{1}{4}$ de pulgada, es posible que se reduzca la producción de hielo o que se formen cubos más pequeños.
6. Fije la válvula de cierre a la tubería de agua fría con la abrazadera para tuberías. Asegúrese de que el extremo de salida esté sólidamente en el orificio perforado de $\frac{1}{4}$ " en la tubería de agua y que la arandela esté debajo de la abrazadera para tubería. Apriete la tuerca de empaque. Apriete los tornillos de la abrazadera del tubo lenta y uniformemente para que la arandela haga un sello hermético. No apriete demasiado o puede aplastar el Tubería vertical de agua fría.



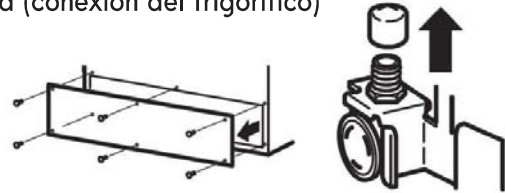
7. Coloque la tuerca de compresión y el manguito para la tubería de cobre en el extremo de la tubería y conéctelo a la válvula de cierre. Asegúrese de que el tubo esté completamente insertado en la válvula. Apriete firmemente la tuerca de compresión. Para la tubería de plástico, inserte el extremo moldeado de la tubería en la válvula de cierre y apriete la tuerca de compresión hasta que quede apretada a mano; luego apriete una vuelta adicional con una llave. El apriete excesivo puede causar fugas.



8. Coloque el extremo libre de la tubería en un recipiente o fregadero y abra el suministro de agua principal. Enjuague el tubo hasta que el agua esté clara. Apague la válvula de cierre de la tubería de agua. Enrolle el tubo de cobre.

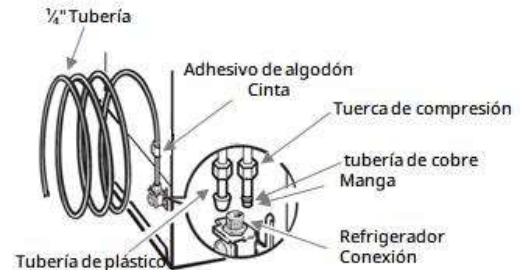
Conecte el Refrigerador

1. Desenchufe el refrigerador o desconecte la energía.
2. Retire los tornillos que sujetan la cubierta de acceso al compartimiento del compresor a la parte posterior de la caja del refrigerador. Retire la tapa y el tapón flexible de plástico de la válvula de agua (conexión del frigorífico)

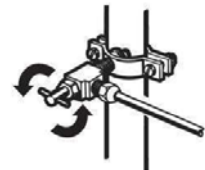


NOTA: Asegúrese de guardar los tornillos, ya que la cubierta de acceso debe volver a instalarse más tarde para asegurarse de que su refrigerador funcione correctamente.

3. Coloque la tuerca de compresión y el manguito en el extremo del tubo como se muestra. Inserte el extremo del tubo en la conexión de la válvula de agua tanto como sea posible. Mientras sujeta el tubo, apriete el accesorio. Para la tubería de plástico, inserte el extremo moldeado de la tubería en la válvula de cierre y apriete la tuerca de compresión hasta que quede apretada a mano; luego apriete una vuelta adicional con una llave. El apriete excesivo puede causar fugas.



4. Use la cinta adhesiva de algodón en la parte posterior del refrigerador para asegurar la tubería al refrigerador como se muestra. Esto ayudará a evitar que se dañen los tubos cuando se empuje el refrigerador contra la pared.
5. Encienda la válvula de cierre. Vuelva a colocar la cubierta de acceso.
6. Compruebe si hay fugas. Apriete todas las conexiones (incluidas las conexiones en la válvula) o tuercas que presenten fugas.
7. Si las condiciones del agua requieren un filtro de agua, instálelo en la línea de agua de $\frac{1}{4}$ " (6,35 mm) en cualquiera de las conexiones de los tubos. Obtenga un colador de agua de su distribuidor de electrodomésticos más cercano.



INSTRUCCIONES DE INSTALACION

Complete la Instalación

⚠ PRECAUCION



Peligro de descarga eléctrica

Enchufe en una toma de conexión a tierra de 3 Terminales.

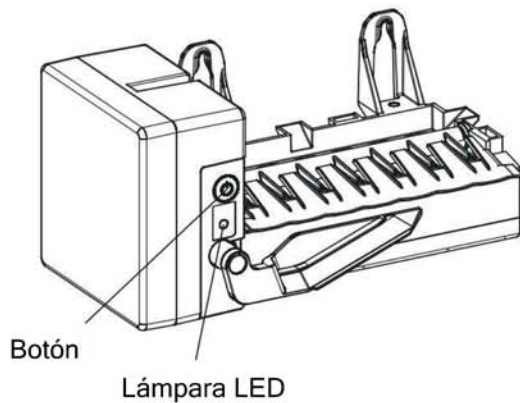
No quite la terminal de tierra.

No use un adaptador.

No utilice un cable de extensión.

- El incumplimiento de estas instrucciones puede ocasionar la muerte, incendio o una descarga eléctrica.

1. Enchufe el refrigerador en un tomacorriente de 3 clavijas con conexión a tierra.
2. Después de instalar la línea de agua, enchufar el refrigerador. Después de enchufarse en el refrigerador, el helado se activará automáticamente, con la luz LED encendida. (Si la luz LED está apagada, presione el botón una vez por 1 segundo). Por favor, mantenga el refrigerador encendido para permitir que la máquina de hielo se resuelva. Esto tomará aproximadamente 5 minutos. La máquina de hielo empezará a funcionar automáticamente una vez que la temperatura del compartimento congelador alcance 15°F (-9°C) o menos.



Nota: Este máquina está equipado con un sensor de nivel de agua. Si existe una baja presión de agua, la válvula de agua de la máquina de hielo puede encenderse hasta 7 veces para entregar suficiente agua al fabricante de hielo. Espere 24 horas para producir el primer lote de hielo. Deseche los primeros tres lotes de hielo producidos. Permita 3 días para llenar completamente el contenedor de hielo. Esta máquina de hielo está instalada con un sensor de nivel de agua.

- Los diferentes modelos tienen diferentes máquinas de hielo que se pueden instalar, así que verifique si la máquina de hielo que compró coincide con su refrigerador.
- Instale la máquina de hielo electrónica para este modelo. Cuando se instala una máquina de hielo mecánica, no funciona.

Kit Fabricador de Hielo Modelo & Kit Número

Escribe	Modelo de máquina de hielo	Modelo de refrigerador	Código IM Modelo
Electrónico	IME1821	111.6049#220 111.6076#220 111.7049#220 111.7076#220	60140-0010100-00

INSTRUCCIONES DE INSTALACION

Puertas inversas (opcional)

Importante: Si desea invertir sus puertas para que se abran en el sentido opuesto, siga estos pasos.

Herramientas necesarias: llave inglesa de 5/16", destornillador Phillips, espátula, dado 5/16" y matraca.

Desconecte el refrigerador

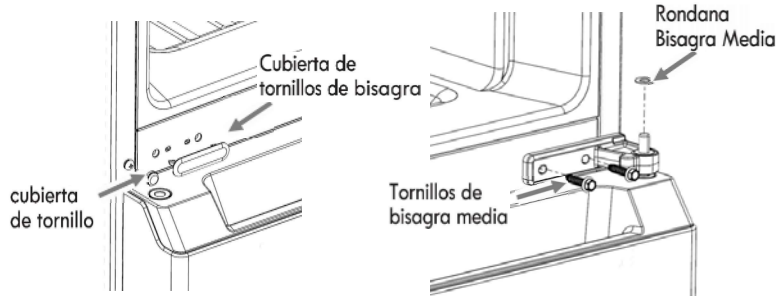
1. Mantenga cerrada la puerta del congelador con cinta adhesiva. Retire la tapa de la bisagra con una espátula y dejar a un lado.
2. Con un dado 5/16" y matraca, quitar los tornillos de la bisagra superior y dejar de lado.
3. Retire la cinta y con cuidado levante y retire la puerta del congelador (incluyendo la bisagra superior) quite la bisagra central.
en el lado opuesto.
4. Con un destornillador Phillips, retire el tope de la puerta de la parte inferior de la puerta del congelador y fijarlo
5. Con una espátula, levante el tapón de la parte superior de la puerta del congelador y vuelva a colocarlo en el lado opuesto.
6. Retire el tapón del orificio de tornillo de la parte superior del gabinete y vuelva a colocar en el lado opuesto



NOTA:

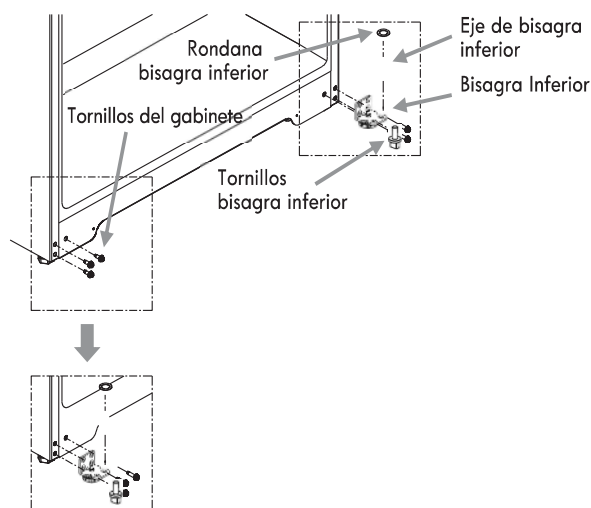
- No pierda los tornillos de la bisagra superior.
- Coloque la puerta sobre una superficie que no raye con la parte interna hacia arriba.
- No deje la puerta a caer al suelo. Al ajustar hacia abajo, o detener la puerta podría dañarse.

7. Cierre la puerta del refrigerador con cinta adhesiva. Con un dado de 5/16" y una matraca, quitar los tornillos de la bisagra de enmedio y la bisagra de enmedio desde la parte superior de la puerta del refrigerador. Con un destornillador de punta plana, saque la tapa del domo y la tapa del orificio de la bisagra central y luego vuelva a instalar la tapa y la tapa en el lado opuesto.



NOTA: no pierda los tornillos de la bisagra de enmedio ni la arandela de la bisagra enmedio. Si la arandela no esta en la bisagra, revise si no esta pegada a el fondo de la puerta.

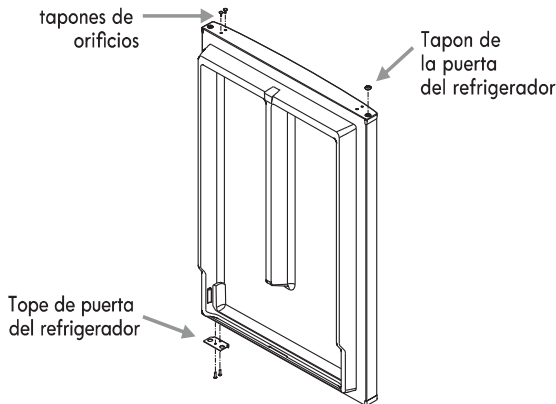
8. Retire la cinta y con cuidado levante y retire la puerta del refrigerador.
9. Con un dado de 5/16" y matraca, retire la placa de bisagra inferior de la esquina inferior del refrigerador y fijarlo en el lado opuesto.
10. Retire la arandela y el vástago de la parte interior de la placa de bisagra y colocarlos en el exterior de la placa de bisagra.



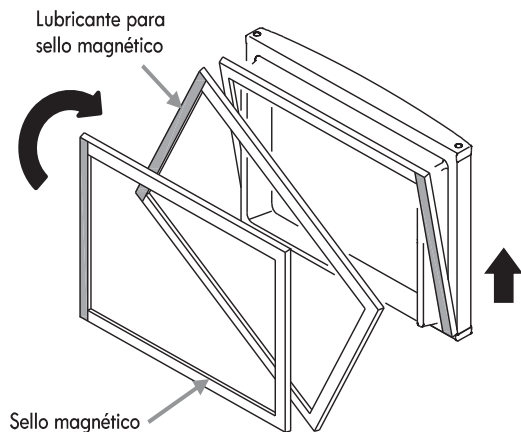
INSTRUCCIONES DE INSTALACION

Puertas inversas (opcional)(continuacion)

11. Retire el tope de la puerta del refrigerador de la parte inferior de la puerta del refrigerador y fijarlo en el lado opuesto con un destornillador Phillips.
12. Con una espátula, hacer palanca para extraer los tapones de la parte superior de la puerta del refrigerador y reemplazarlos en el lado opuesto.

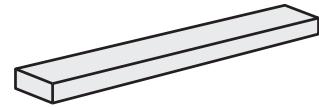


13. Retire el sello magnético de las puertas del congelador y del refrigerador. Y luego girarlas 180 grados. Reensamblarlas empujando desde abajo hacia arriba



NOTA: El aceite en el sello magnético es normal. No hay necesidad de limpiar el aceite. Ayuda a prevenir la deformación del sello magnético del lado de la bisagra. Si necesita más aceite, se puede usar vaselina.

14. Vuelva a colocar cuidadosamente la puerta del refrigerador en la placa de la bisagra en la esquina inferior.
15. Fije la bisagra de en medio con los tornillos retirados desde el lado opuesto y fijarlos utilizando una llave de 5/16".
16. Coloque con cuidado la puerta del congelador en la parte superior del brazo de la bisagra. Utilice la pieza de unicel a modo de espaciador para mantener las alineadas.



NOTA: No tire el espaciador de unicel que está entre las dos puertas. Las puertas pueden asentarse con el uso. Asegúrese de que la arandela está en su lugar en la parte superior del eje de bisagra.

17. Deslice la bisagra superior hasta su lugar en la puerta del congelador y asegure los tornillos con una llave de 5/16". Asegure que todos los tornillos han sido apretados de forma segura.
18. Coloque la tapa de la bisagra en su lugar.
19. Vuelva a colocar la rejilla frontal de la base. Recuerde que debe conectar el refrigerador y restablecer los controles para el ajuste correspondiente (s).

INSTRUCCIONES DE INSTALACION

Instalación de Jaladeras

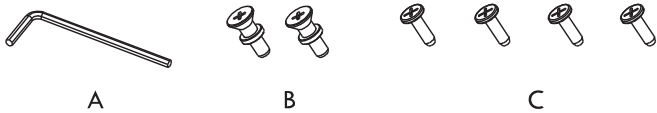
PRECAUCIÓN: Use ambas manos para controlar las herramientas y manijas para evitar rayar el refrigerador.

Importante: Las manijas pueden instalarse tanto en la parte superior como en la parte inferior. Y también puede ser invertido para la instalación de puertas swing a la izquierda. La figura 1 muestra la orientación de instalación de los mangos para las puertas de oscilación derecha y izquierda.



Herramientas necesarias: Herramientas necesarias

Partes incluidas: Llave hexagonal (A), dos tornillos de separadores (B), cuatro tornillos de la jaladera (C)



Para la instalación de las jaladeras, ver figura 1 (abajo) para la orientación.

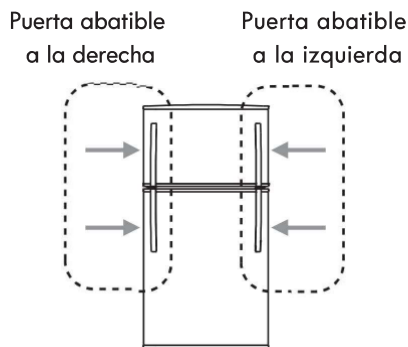
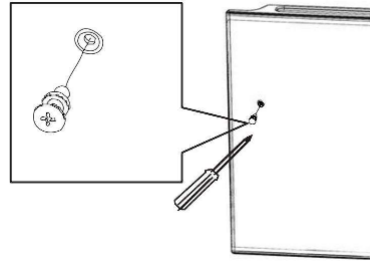


Figura 1

Paso 1.

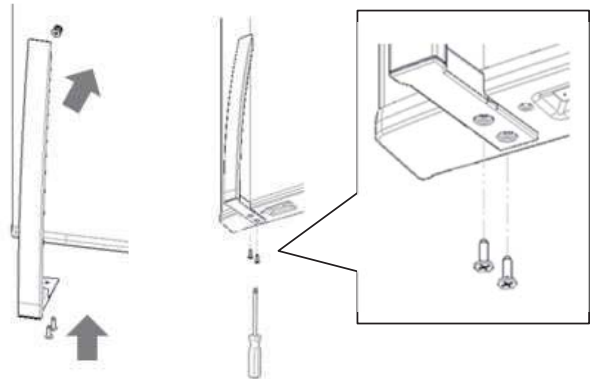
Instalar los tornillos de los separadores (B) (Por lo general en ambas puertas del congelador y refrigerador)



NOTA: Retire la película protectora antes de instalar las jaladeras. (En algunos modelos)

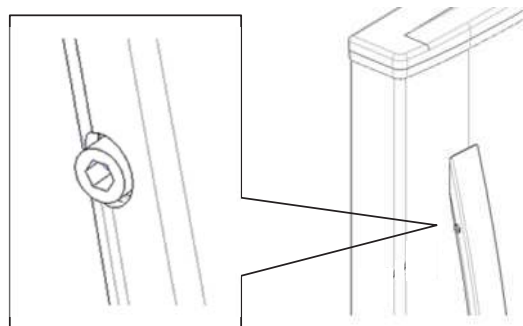
Paso 2.

Instalar los tornillos de las jaladeras (C) (por lo general 2 por jaladera). Asegúrese de que el extremo opuesto de la jaladera se coloca sobre el tornillo separador (B) antes de apretar los tornillos (C).



Paso 3.

Apretar el tornillo hexagonal en las jaladeras utilizando la herramienta proporcionada.



INSTRUCCIONES DE INSTALACION

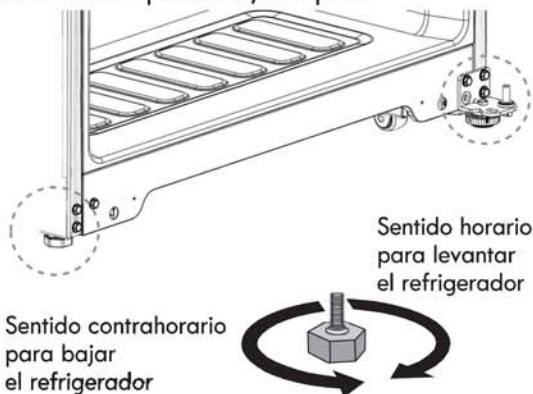
Ajustar las puertas

Nivelando

Su refrigerador tiene dos patas ajustables delanteras cerca de cada esquina frontal del refrigerador, junto a las ruedas. Si su refrigerador parece inestable o usted quiere las puertas se cierran con facilidad, ajuste la inclinación del refrigerador usando las siguientes instrucciones:

1. Gire las dos patas niveladoras delanteras en sentido horario para elevar la parte frontal del refrigerador y en sentido contrario para bajarla.

NOTA: Si hay alguien a quien empujar en la parte superior del refrigerador para quitar peso de las patas niveladoras para que sea más fácil de ajustar y ayuda a evitar que se raye el piso.



2. Abra las dos puertas de nuevo para asegurarse de que se cierran con la facilidad que usted desea y que se mantengan cerrados. En caso contrario, incline el refrigerador ligeramente más hacia la parte posterior, girando ambos tornillos niveladores en sentido horario.

NOTA:

- Antes de mover el refrigerador lejos de la pared, asegúrese de girar las patas niveladoras en sentido contrario a las manecillas del reloj de modo que el peso del refrigerador se transfiera completamente a las ruedas delanteras.
- Si el suelo no está nivelado y es necesario levantar la parte trasera del refrigerador, se aconseja a rodar los rodillos posteriores en una pieza de madera u otro material de aportación.

Alineación de Puerta

Si el espacio entre sus puertas parece desigual, se puede ajustar usando las siguientes instrucciones:

NOTA: El uso de espuma puerta del espaciador para regular la distancia adecuada entre los congelador y refrigerador de puertas. Lugar espaciador Entre las puertas Al apretar el congelador puerta de la bisagra superior.

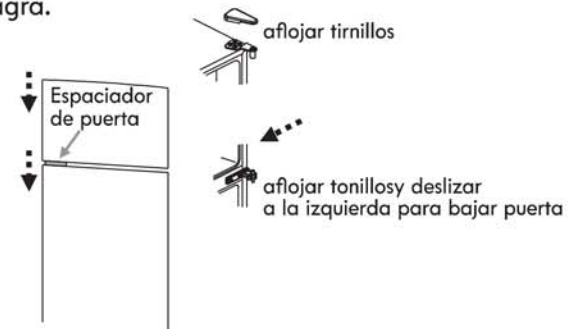


Si la puerta del congelador es demasiado elevada:

1. Retire la tapa de la bisagra en la parte superior de la puerta del congelador y afloje los tornillos con un dado de 5/16" y una matraca.
2. Asegúrese de la distancia entre las puertas y mantenga la puerta en el lado de la jaladera.
3. Apriete por completo todos los tornillos y coloque la tapa de la bisagra.

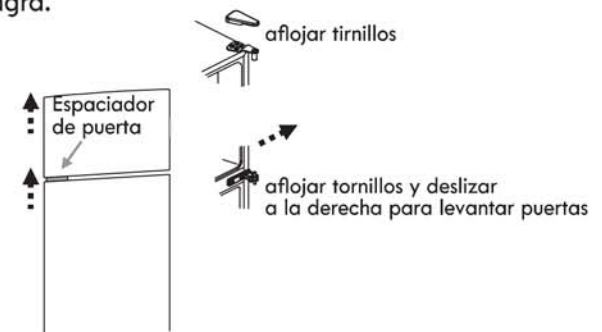
Si ambas puertas son demasiado elevadas:

1. Retire la tapa de la bisagra en la parte superior de la puerta del congelador y afloje los tornillos con un dado de 5/16" y una matraca.
2. Aflojar los dos tornillos de la bisagra central con un dado de 5/16" y una matraca.
3. Deslice la bisagra de enmedio a la izquierda para bajar las puertas.
4. Apriete por completo todos los tornillos y coloque la tapa de bisagra.



Si ambas puertas son demasiado abajo:

1. Retire la tapa de la bisagra en la parte superior de la puerta del congelador y afloje los tornillos con un dado de 5/16" y una matraca.
2. Aflojar los dos tornillos de la bisagra central con un dado de 5/16" y una matraca.
3. Deslice la bisagra de enmedio a la derecha para elevar las puertas.
4. Apriete por completo todos los tornillos y coloque la tapa de bisagra.



USO DEL REFRIGERADOR

Usando los controles

Su refrigerador tiene dos controles que afectan a la temperatura. El control de temperatura está localizado en el frente superior del Compartimento de refrigerador y el control de flujo de aire se encuentra en la pared posterior del compartimiento congelador.

Importante:

- La configuración recomendada debe ser correcta para el uso doméstico normal del refrigerador. Los controles están ajustados correctamente cuando la leche o el jugo están tan fríos como quiera y cuando el helado es firme
 - Espere 24 horas para que el refrigerador se enfríe por completo antes de agregar alimentos. Si agrega alimentos antes de que el refrigerador se haya enfriado por completo, los alimentos pueden descomponerse.
- NOTA:** Ajustar los controles de temperatura del refrigerador y del congelador a un ajuste más frío de lo recomendado no enfriará más rápido los compartimientos.
- Si la temperatura es demasiado caliente o demasiado fría en el refrigerador o congelador, primero reviece los conductos de ventilación para asegurarse de que no están bloqueados antes de ajustar los controles.

Control Temperatura Refrigerador

Para su comodidad, el control de la temperatura está posicionado desde fábrica. La primera vez que instale el refrigerador, asegúrese de que el control sigue posicionado como se muestra.



NOTA: Su refrigerador funcionará de forma continua durante varias horas desde el primer inicio. Esto es normal.

Ajuste del control de temperatura

Si es necesario ajustar la temperatura en el refrigerador (o congelador), siga las instrucciones en la GUÍA DE CONTROL DE TEMPERATURA tabla.

NOTA: No ajuste el control de más de una configuración a la vez. Espere 24 horas para que los ajustes de temperatura Entre 'para estabilizar.

- ajustes de fábrica listo: Para un funcionamiento óptimo en un entorno de garaje, sistema de control de temperatura en compartimento frigorífico a 4 y establecer el control de la temperatura en el compartimiento del congelador al recomendados.

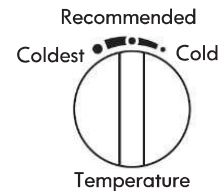
NOTA: Una exposición sostenida a temperaturas ambiente por debajo de 39 ° F (4 ° C) puede dar lugar a la congelación de alimentos y bebidas almacenados en la sección de refrigeración.

Control de Temperatura Freezer

El control de temperatura se calibra en un rango de "más frío" a "frío".

Para su comodidad, el control de la temperatura está presente en la fábrica para la configuración recomendada que se indica en el dial.

Utilice el control de temperatura para ajustar la temperatura del congelador a su condición deseada. Se recomienda que cuando se enchufe en el refrigerador por primera vez, asegúrese de que el ajuste de control es el recomendado.



Ajuste de la temperatura del congelador

Si es necesario ajustar la temperatura en el congelador (compartimento o en el refrigerador), siga las indicaciones de la tabla GUÍA DE CONTROL DE TEMPERATURA a continuación.

Importante: Una vez que se logra el rendimiento, devolver el control del flujo de aire en el ajuste recomendado para mantener el refrigerador funcionando con la máxima eficacia

GUIA DE CONTROL DE TEMPERATURA

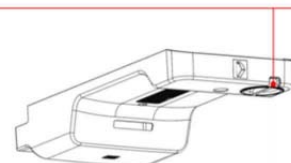
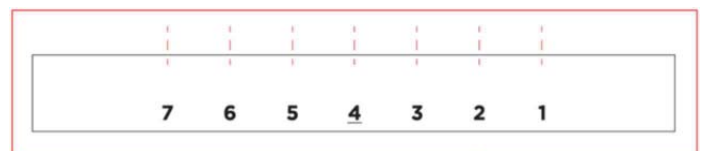
condicion / rason:	Ajuste:
REFRIGERADOR TIBIO	Ajuste a mas alto
CONGELADO tibio o poco hielo	El ajuste no esta en alto
REFRIGERADOR Muy frio	Ajuste a temperature mas baja
CONGELADOR muy frio	Ajuste la temperature a menos frio
Rapida producción de hielo	ajuste a COLDEST
lugar con altas temperaturas (más de 90 grados F)	COLDEST - Para mantener la tasa de producción de fabricación de hielo

Modo de demostración (solo para uso de tienda)

El modo de demostración desactiva todo el enfriamiento en las secciones del refrigerador y el congelador para conservar energía mientras se exhibe en una tienda minorista. Cuando el modo de demostración está activo, la luz del refrigerador se encenderá mientras todas las demás operaciones se detienen.

Activar: Gire el dial: 2 → 3 → 2

Para desactivar: Gire el dial: 3 → 2 → 3



Libre de deshielo

Su refrigerador está diseñado para descongelar automáticamente

Superficies tibias del Gabinete

A veces, la parte frontal del gabinete del refrigerador puede estar caliente al tacto. Este es un hecho normal que ayuda a evitar que la humedad se condense en el gabinete. La condición será más perceptible cuando se inicia por primera vez el refrigerador, durante el tiempo caliente y después de la apertura excesiva o prolongada de la puerta.

Fabrica de hielos (algunos modelos)

Encendido de la máquina de hielo de encendido / apagado

NOTA: No obligues el brazo de apagón a subir o bajar.

- Para activar la máquina de hielo, sólo presiona el botón. El helado empieza con la lámpara LED encendida.
- Cuando no está en uso, si presionas el botón de la máquina de congelar una vez (dada la 1 sec), la lámpara encendida brilla y la máquina de congelar se detendrá. Si la máquina de congelar está apagada mientras el motor del máquina funciona, el motor terminará de rotar y se detendrá.

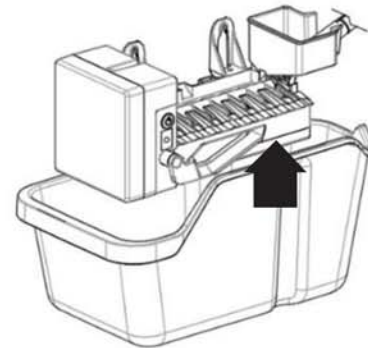
NOTA: Apague la fábrica de hielo antes de retirar el depósito de hielo para servir el hielo o para limpiar el depósito. Esto evitará que los cubitos de hielo se caigan fuera de la fábrica de hielo y en el compartimiento del congelador. Después de sustituir el depósito de hielo, encender la máquina de hielo.

Indice de Produccion de hielo

- La fábrica de hielo deberá producir aproximadamente 8 a 12 lotes de hielo durante un período de 24 horas Si el hielo no se está haciendo lo suficientemente rápido, gire el control del congelador hacia un número más alto (más frío) en pasos de números. (Por ejemplo, si el control está en 3, moverlo a entre 3 y 4.) Espere 24 horas y, si es necesario, gradualmente gire el control del congelador al ajuste más alto, esperando 24 horas entre cada aumento.

Recuerde

- La máquina de hielo no comenzará a operar hasta que alcance su temperatura de operación de 15 ° F (-9 ° C) o menos. A continuación, iniciara el funcionamiento automático
- En condiciones de baja presión del agua o el primer suministro de agua, la válvula de agua, la válvula de agua puede encenderse hasta 7 veces para suministrar suficiente agua a la máquina de hielo.
- El hielo comenzara a producirse después de 24 horas Desheche los tres primeros lotes de hielo.
- La calidad del hielo será tan buena como la calidad del agua suministrada a la máquina de hielo. Evitar la conexión de la máquina de hielo a un suministro de agua blanda. Los químicos para ablandar el agua (como la sal) pueden dañar los componentes de la fábrica de hielo y producir hielo de muy baja calidad. Si un suministro de agua blanda no se puede evitar, asegúrese de que el ablandador de agua funciona correctamente y está bien mantenido.
- No almacena cualquier cosa arriba de el fabricante de hielo o en el cubo de almacenamiento del hielo.



NOTA: La máquina de hacer hielo tiene un apagado automático. A medida que se produce el hielo, los cubitos de hielo llenarán el depósito de hielo y los cubitos de hielo levantaran el brazo de control a la posición Full (brazo hacia arriba).

CARACTERISTICAS DEL REFRIGERADOR

Su modelo puede tener algunas o todas estas características

Para saber acerca de cristales de vidrio y su cubierta

Parrillas del Refrigerador

Para satisfacer sus necesidades de almacenamiento. Las parrillas en nuestro refrigerador son ajustables. Almacenar Alimentos similares juntos en su refrigerador y ajustando las parrillas para colocar elementos en diferentes alturas rá que encontrar el punto exacto que desea más fácil. También reducirá la cantidad de tiempo que la puerta del frigorífico está abierto, y ahorrar energía

Importante:

- No limpiar las parrillas de vidrio o cubiertas con agua tibia cuando estén fríos. Las parrillas y cubiertas pueden romperse si son expuestos a cambios bruscos de temperatura o impacto, tales como golpes.
- El vidrio templado está diseñado para romperse en muchas pequeñas piezas. Esto es normal.
- Las Parrillas de vidrio y cubiertas son pesadas. al removerlas use ambas manos para evitar que estas se caigan
- No coloque artículos tibios o calientes en el refrigerador.

Precaución: Para evitar lesiones personales o daños a la propiedad.

- Nunca intente ajustar una parrilla cuando está cargado con alimentos.
- Probar que la parrilla es segura antes de cargar elementos en ella.

Parrilla ancho completo

Algunos modelos están equipados con parrillas de alambre o parrillas de vidrio de ancho completo que están soportados por las guías moldeadas en las paredes interiores del compartimiento de alimentos frescos

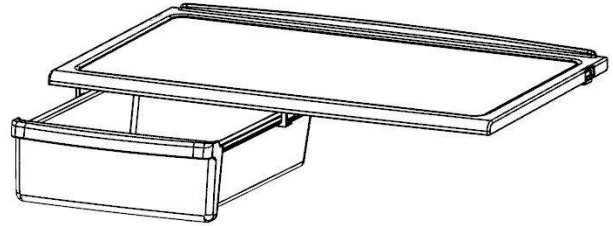
Para retirar y reemplazar una parrilla de ancho completo:

1. Retire los alimentos de la parrilla
2. Sujete cada lado de la parrilla.
3. Jale la parrilla hacia delante aproximadamente 1”(25mm).
4. Sujetando la parrilla desde debajo, levántela y extráigala.
5. Deslice la parrilla en la posición alternativa deseada.

Cajon de carnes frias (solo aplicable a algunos modelos)

Para sacar y reemplazar el cajón de carnes frias:

1. Deslice deli cajón hasta el tope.
2. Levante la parte delantera del cajon de carnes con una mano mientras que apoya el fondo del cajón con la otra mano. Deslice el cajón hacia fuera el resto del camino
3. Vuelva a colocar el cajón deslizándolo hacia adentro hasta más allá del tope del cajón.



CARACTERISTICAS DEL REFRIGERADOR

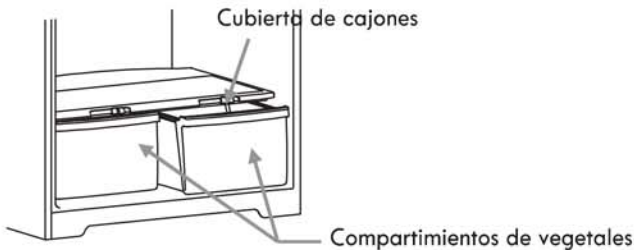
Cajon de verduras

Cajones de verduras

Los cajones de verduras proporcionan un área de almacenamiento de frutas y hortalizas. El exceso de agua que pueda acumularse en el fondo de los cajones o debajo de los cajones se debe secar.

Para sacar y reemplazar el cajón de verduras:

1. Deslice el cajón de verduras hacia afuera hasta el tope. Levante la parte delantera y deslice el cajón fuera el resto del camino.
2. Vuelva a colocar el cajón deslizándolo hacia adentro totalmente más allá del tope.

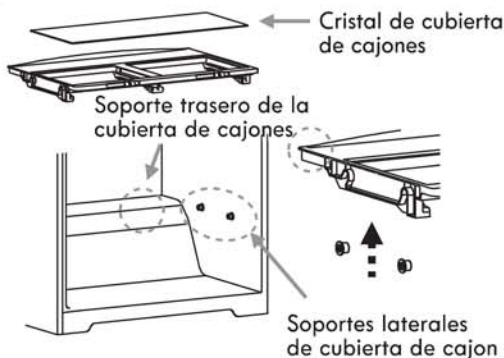


NOTA: Si la puerta le impide sacar los cajones, primero intentar sacar los anaqueles de la puerta. Si esto no ofrece suficiente espacio, El refrigerador necesitará ser rodado hacia adelante hasta que la puerta se abre lo suficiente para deslizar los cajones. En algunos casos, cuando se hace rodar el refrigerador, Necesitará mover el refrigerador a la izquierda o a la derecha a medida que se extiende.

Cubierta de cajón de verduras

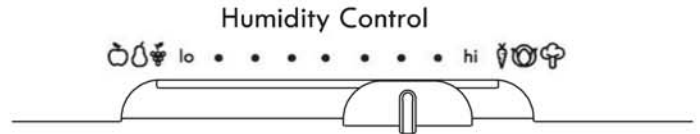
Para sacar y reemplazar la cubierta de cajon :

1. Retire los alimentos de la cubierta y luego los cajones de verduras.
2. Retire el cristal de la cubierta del cajón verduras.
3. Levante ligeramente la parte frontal de la cubierta del cajón de verduras.
4. Sujete la cubierta por la parte interior para levantarlo y luego removerlo del gabinete.
5. Con la cubierta delantera inclinada ligeramente hacia arriba, inserte cuidadosamente la cubierta superior en el interior del gabinete.
6. Coloque la parte posterior y los lados de la cubierta sobre los soportes y deje que la cubierta se asiente en su lugar.
7. Vuelva a colocar el cristal empujando el borde frontal firmemente en la cubierta del cajón. Vuelva a colocar los cajones.



Control de humedad del cajon de verduras

Usted puede controlar la cantidad de humedad en el cajón de verduras. Deslice el control (en determinados modelos) hacia "baja" para proporcionar condiciones de menor humedad en el cajón.. Para la mayoría de los vegetales, Deslice el control hacia "Hi" para proporcionar condiciones de más humedad en el cajón.. Para mejores resultado, Mantenga el cajón de verduras herméticamente cerrado.



- Fruta: Lavar, secar y almacenar en el refrigerador en una bolsa de plástico o cajon. No lave ni quite la cascara de las bayas hasta que estén listos para su uso. Ordenar y conservar las bayas en el contenedor original en el cajon, O guardar en una bolsa de papel cerrada flojamente sobre una parrilla del refrigerador.
- Vegetales con cascara: Coloque en una bolsa de plástico o recipiente de plástico y almacenar en cajon.
- Vegetales de hoja: Lavar en agua fría, Escurrir y cortar o arrancar las partes magulladas y descoloridos. Colocar en una bolsa de plástico o recipiente de plástico y guardar en cajón.

⚠ PRECAUCIÓN:

Para evitar lesiones personales o daños a la propiedad.

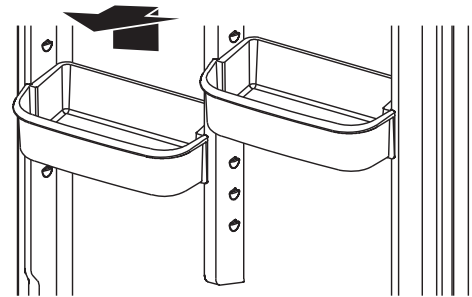
- Nunca intente ajustar una parrilla cuando está cargado con alimentos.
- Probar que la parrilla es segura antes de cargar elementos en ella.

CARACTERÍSTICAS DE LA PUERTA

Anaqueles de Puertas

Para sacar y reemplazar los anaqueles:

1. Retire el recipiente levantándolo y tirando de ella hacia fuera.
2. Vuelva a colocar el recipiente deslizándolo encima del soporte deseado y empujándolo hacia abajo hasta que se detenga.

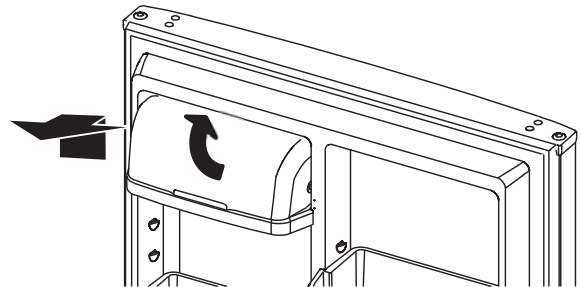


Compartimento de lácteos

Los compartimentos de lácteos cubiertos y diseñado para almacenar productos alimenticios como unta mantequilla o margarina.

Para remover y limpiar:

1. Sujete el compartimento de productos lácteos de la parte inferior y levante.



Almacenamiento de alimentos Frescos

- El compartimento de alimentos frescos del refrigerador debe mantenerse entre 34°F (1°C) y 40°F (4°C) con una temperatura óptima de 37°F (3°C). Para comprobar la temperatura, coloque un termómetro en un vaso de agua y coloque en el centro del refrigerador. Verificar después de 24 horas. Si la temperatura es superior a 40°F (4°C) ajustar el control, tal como se explica en la página "Control de temperatura".
- Evitar sobrecargar las bandejas del refrigerador. Esto reduce la circulación de aire alrededor de la comida y se traduce en un enfriamiento desigual.
- Almacenamiento en los cajones de las verduras atrapa la humedad para ayudar a preservar la calidad de las frutas y verduras por períodos de tiempo más largos
- Ordenar las frutas y verduras antes de su almacenamiento y coloque artículos magullados o blandos primero. Descartar aquellos que muestran signos de decadencia.
- Siempre envuelva los alimentos olorosos como la cebolla y repollo de modo que el olor no se transfiere a otros alimentos.
- Aunque las verduras necesitan cierta cantidad de humedad para permanecer fresco, demasiada humedad puede acortar los tiempos de almacenamiento (especialmente los artículos de hoja). Escurrir bien las verduras antes de guardar.
- La carne de res y de ave cruda debe envolverse firmemente para evitar que derrames y contaminación de otros alimentos o superficies no ocurra.
- De vez en cuando el moho se desarrollará en la superficie de los quesos duros (Suizo, Cheddar, el queso parmesano). Cortar o FF al menos una pulgada alrededor y debajo del área con moho.
Mantenga su cuchillo o instrumento alejado del propio molde
No intente guardar cada rebanadas de queso, queso fresco, requesón, queso crema, crema agria o yogur cuando aparece moho.
- La mayoría de los productos lácteos tales como leche, yogur, crema agria y queso cottage tienen fechas de vencimiento en sus envases para la longitud adecuada de almacenamiento.
Guarde estos alimentos en la caja original y refrigere inmediatamente después de la compra y después de cada uso. Guarde estos alimentos en la caja original y refrigere inmediatamente después de la compra y después de cada uso.

Almacenamiento de congelados

- El compartimento congelador del refrigerador debe mantenerse aproximadamente a 0°F (-18°C). Para comprobar la temperatura, coloque un termómetro entre los paquetes congelados y comprobar después de 24 horas. Si la temperatura está por encima de -18°C (0°F), ajustar el control, tal como se explica en la página "**control de temperatura**".
- Los tiempos de almacenamiento variarán de acuerdo a la calidad y el tipo de alimento, el tipo de embalaje o envoltura utilizada (debe ser hermético y humedad-proof) y la temperatura de almacenamiento.
- Sellar el envase o contenedor de forma segura para evitar la transferencia de sabores y olores de todo el producto. Los cristales de hielo dentro de un envase sellado son normales. Esto simplemente significa que la humedad de los alimentos y el aire en el interior del envase se condensa, creando cristales de hielo.
- Un congelador funciona más eficientemente cuando es por lo menos 2/3 lleno. Deje un espacio entre los paquetes así que el aire frío pueda circular libremente, permitiendo que los alimentos para congelar lo más rápidamente posible .
- Para reducir al mínimo la deshidratación y el deterioro de la calidad use papel de aluminio, papel de congelador, bolsas de congelación o recipientes herméticos. Extraiga la mayor cantidad de aire de los paquetes como sea posible y asegúrese de que estén bien sellados. El aire atrapado puede hacer que la comida se seque, cambio de color y desarrollar un sabor desagradable (quemadura de congelación).
- No vuelva a congelar la carne que se ha descongelado completamente.
- Evite colocar alimentos demasiados calientes en el congelador . Esto sobrecarga el congelador, reduce la velocidad de congelación y puede elevar la temperatura de los alimentos congelados.
- Evitar el almacenamiento de los alimentos difíciles de congelar, tales como helado y jugo de naranja en los estantes de la puerta del congelador. Estos alimentos se conservan mejor en el interior del congelador donde la temperatura varía menos con aberturas de las puertas.

Limpeza

PRECAUCION



Peligro de Explosion

Use un limpiador no inflamable.

El no hacerlo puede ocasionar la muerte, explosión o fuego

Las secciones del refrigerador y del congelador se descongelan automáticamente. No obstante, limpie ambas secciones una vez al mes para evitar la acumulación de olores. Limpie los derrames de inmediato.

Importante: Debido a que el aire circula entre ambas secciones, los olores que se formen en una sección pasarán a la otra. You must limpie completamente ambas secciones para eliminar odors. Para evitar la transferencia de olores y deshidratación de los alimentos, envuelva o tape bien los alimentos.

Para limpiar su refrigerador

Aviso: Para evitar una descarga eléctrica que puede provocar lesiones graves o la muerte, desconecte el cable de alimentación antes de mover o limpiar el refrigerador.

NOTA: No utilice limpiadores abrasivos o ásperos, como aerosoles para ventanas, productos de limpieza para pulir, líquidos inflamables, ácido muriático, ceras para limpieza, detergentes concentrados, blanqueadores o limpiadores que contengan productos derivados del petróleo en las superficies exteriores (puertas y armarios), piezas de plástico, interiores y revestimientos de puertas o juntas. No use toallas de papel, estropajos para fregar u otros utensilios de limpieza ásperos.

1. Desenchufe el refrigerador o desconecte el suministro eléctrico.
2. Lavado a mano, enjuague, y secar las piezas extraíbles y superficies interiores completamente magra. Utilice una esponja o un paño suave y un detergente suave en agua tibia.
3. Limpie las superficies exteriores.

Metal pintado: Lavado exterior metálica pintada con un trapo limpio y suave o una esponja y un detergente suave en agua tibia. Enjuagar las superficies con agua limpia y caliente y secar inmediatamente para evitar manchas de agua.

Acero inoxidable: Lave las superficies de acero inoxidable con un trapo limpio y suave o una esponja y un detergente suave en agua tibia. Enjuagar las superficies con agua limpia y caliente y secar inmediatamente para evitar manchas de agua.

NOTA: Cuando limpie acero inoxidable, limpie siempre en la dirección del grano para evitar rallar.

limpiador de acero inoxidable

Para mejores resultados use Kenmore Stainless Steel Cleaner item #02240083 o equivalente. Disponible en Kenmore.com o llame al 1-844-553-6667.

4. No hay necesidad de rutina de limpieza del condensador en entornos operativos normales del hogar. Si el entorno es particularmente sucio o polvoriento, existe un importante tráfico de mascotas en la casa, el condensador debe limpiarse cada 2 a 3 meses para garantizar la máxima eficiencia. Si necesita limpiar el condensador:
 - Desenchufe y tire hacia adelante del refrigerador, y retire la tapa trasera (rejilla).
 - Utilice una aspiradora con un cepillo suave para limpiar la tapa trasera, las áreas abiertas detrás de la tapa trasera y la superficie frontal del condensador.
 - Vuelva a colocar la cubierta trasera cuando haya terminado.
5. Vuelva a colocar la rejilla de la base cuando

CUIDADO DEL REFRIGERADOR

Cuidados en Vacaciones y mudanzas

Vacaciones

Si usted decide dejar el refrigerador mientras está ausente:

1. Consuma todos los alimentos perecederos y congele el resto.
2. Si su refrigerador tiene un icemaker automático, y está conectado a la casa mantenga el suministro de agua, apague el suministro de agua a la nevera. Propiedad puede dañarse si el suministro de agua no se apaga..
3. Presiona la luz LED en la Máquina para hielos apagarla.
4. Vaciar el depósito de hielo.

Si usted elige para apagar el refrigerador antes de irse:

1. Retire todos los alimentos del refrigerador.
2. Desconecte el refrigerador de la toma eléctrica.
3. Si su refrigerador tiene una máquina automática de hacer hielo:
 - Cierre el suministro de agua a la máquina de hacer hielo por lo menos un día de anticipación.
 - Presione la luz LED para apagar la máquina de hielo.
 - Purgar el agua de la línea de llenado máquina de hielo y secar a fondo la máquina de hielo
 - Asegúrese de retirar todos los artículos congelados del compartimento del congelador para evitar que los alimentos se echen a perder.
4. Limpie el refrigerador, límpielo, y seque bien.
5. Cinta de goma o bloques de madera a las cimas de las dos puertas para mantenerlas lo suficientemente abierto para que el aire ingrese en. Esto detiene el olor y la formación de moho.

NOTA: Si se utiliza una máquina de hielo automática, desechar las primeras dos o tres cosechas de hielo, cuando el frigorífico está puesta de nuevo en servicio.

Moviendo

1. Si su refrigerador tiene una máquina automática de hacer hielo:
 - Cierre el suministro de agua a la máquina de hacer hielo por lo menos un día de anticipación.
 - Desconecte la línea de agua de la parte posterior del refrigerador.
 - Presione la luz LED para apagar la máquina de hielo.
2. Retire todos los alimentos del refrigerador y empaque todos los alimentos congelados en hielo seco.
3. Vacío el cubode hielo.
4. Desenchufe el refrigerador.
5. Limpiar, limpie y seque completamente
6. Saque todas las partes desmontables, envuélvalas bien, y la cinta juntos para que no se sacudan durante la mudanza.
7. Dependiendo del modelo, levantar la parte delantera del refrigerador para que ruede con facilidad o elevar las patas de nivelación para que no rayar el piso.
8. Encintar las puertas cerradas con cinta adhesiva y el cable de alimentación a la parte posterior del refrigerador.

Al llegar a su nuevo hogar, ponga todo de nuevo y consulte la sección "Instrucciones de instalación" para obtener instrucciones de preparación. Además, si su refrigerador tiene fábrica de hielo anaautomatic, recuerde que debe volver a conectar el suministro de agua al refrigerato

GUIA DE SOLUCION DE PROBLEMAS

Pruebe las soluciones sugeridas aqui o visite nuestro sitio web para evitar el costo de una llamada de servicio.

⚠ PRECAUCION



Riesgo de choque electrico

Tomacorriente de 3 terminales
 No remueva la conexión a tierra
 No utilice adaptadores.
 No utilice una extensión del tomacorriente.
 El incumplimiento de estas instrucciones puede ocasionar la muerte, incendio o descarga eléctrica.

⚠ PRECAUCION



Riesgo de Explosion

Utilize limpiador no flamable.
 El incumplimiento de esto resulta en muerte, explosión o fuego.

Consulte este cuadro para solucionar problemas en primera ... es posible que no necesite llamar al servicio técnico.

OPERACION GENERAL

PROBLEMA	CAUSAS POSIBLES	QUÉ HACER
El refrigerador no funciona	No está conectado a un suministro eléctrico	Enchufe el cable de alimentación a un enchufe de conexión a tierra de 3. No utilice un cable de extensión.
	No hay alimentación a la toma	Enchufe una lámpara para ver si la toma de corriente funciona.
	fusible de la casa fundido o se disparó el cortacircuitos.	Reemplace el fusible o reinicie el disyuntor. Si el problema continúa, póngase en contacto con un electricista.
	Instalación nueva	Espere 24 horas después de la instalación para que el refrigerador se enfríe por completo.
Trabaja demasiado tiempo o frecuentemente	Los refrigeradores actuales inician y se detienen con más frecuencia para mantener temperaturas uniformes.	
	Normal en el arranque de las unidades nuevas o recientemente	Espere 24 horas para que el refrigerador se enfríe por completo (ver "Controles de temperatura" página).
	las aberturas de puertas constante o prolongada.	Esto es normal. Minimizar las aberturas de las puertas.
	La puerta no está sellando.	Comprobar para ver si algo está impidiendo que la puerta se cierre.
	La puerta no está sellando.	Desbloquear para permitir que el aire caliente a la unidad de salida.
Trabaja demasiado tiempo o frecuentemente	La puerta está bloqueada o abierta	Mueva los paquetes de alimentos lejos de la puerta. Empuje el recipiente o el estante nuevamente a la posición correcta. Asegúrese de que la cubierta del cajón está totalmente asentada, de manera que la parte posterior descansa sobre los soportes.
La puerta es difícil de abrir	Sello magnetico esta sucias o pegajosas.	Limpie las juntas y superficies en contacto con agua tibia y jabón suave. Enjuague y seque con un paño suave.
Aire tibio desde el fondo de gabinete	Esto es lo normal flujo de aire para la circulación del condensador	
Hay acumulación de humedad interior.	Habitación húmeda	Contribuye a la acumulación de humedad en el refrigerador.
	Las puertas se abrieron a menudo o no están completamente cerradas.	Permite que el aire húmedo entre en el refrigerador. Minimizar las aberturas de puertas y mantenga la puerta completamente cerrada
El gabinete vibra	El gabinete no está nivelada. piso flojo	Nivele el Gabinete
Olor en gabinete	Los alimentos causantes de malos olores no están cubiertos	Cubrir o envolver alimentos que producen olor fuerte. gabinete limpio.

GUIA DE SOLUCION DE PROBLEMAS

TEMPERATURA

PROBLEMA	CAUSAS POSIBLES	QUÉ HACER
Congelador, refrigerador demasiado tibio	Instalación nueva	Espere 24 horas después de la instalación para que el refrigerador se enfríe por completo.
	Control de ajuste demasiado tibio. aberturas de las puertas prolongados.	Ajuste el control de temperatura. Minimizar las aberturas de las puertas.
	Una gran cantidad de alimentos calientes se ha añadido recientemente.	Permite varias horas para que el refrigerador vuelva a la temperatura normal.
	Los productos con alto contenido de azúcar no pueden endurecerse por completo cuando se congela.	
Congelador, refrigerador demasiado frío	El control puesto demasiado frío.	Ajusta control de temperatura.

RUIDO

PROBLEMA	CAUSAS POSIBLES	QUÉ HACER
<p>El refrigerador es ruidoso</p> <p>NOTA: El ruido del refrigerador se ha reducido en los últimos años. Debido a esta reducción de ruido de funcionamiento, puede notar ruidos desconocidos que son normales.</p>	el ruido normal: zumbido	Heard Cuando la válvula de agua abre para llenar el fabricante de hielo
	el ruido normal: clic / chasquido	Las válvulas que abren o encierro
	el ruido normal: pulsante	Fans/El compresor que ajusta para optimizar rendimiento
	Normal de ruido: el chisporrotear / Gorgoteo	Water Goteo en el calentador durante defrost ciclo
	el ruido normal:estallido	Contraction/expansión de dentro de paredes, especialmente durante iniciales frescos-abajo.
	el ruido normal: el agua corriendo	May ser oído cuándo el hielo funde durante el defrost ciclo y carreras de agua a la cacerola de desagüe.
	Normal de ruido: chirriante / agrietamiento	Occure Cuando el hielo está siendo expulsado del molde de fabricante del hielo.
	El gabinete no está nivelada.	Gabinete de nivel.

GUIA DE SOLUCION DE PROBLEMAS

Fabrica de Hielo

PROBLEMA	CAUSAS POSIBLES	QUÉ HACER
La máquina de hielo no produce hielo o no produce suficiente hielo (en algunos modelos)	La máquina de hielo no está conectado a un suministro de agua	Conecta refrigerador a suministro de agua y agua de vuelta shutoff la válvula plenamente abierta.
	Un estrechamiento en la tubería puede reducir el flujo de agua	Alisar la línea de fuente del agua
	máquina de hielo no está encendida	Marca seguro el cable de fabricante del hielo shutoff brazo o cambio (dependiendo de modelo) es en el ENCIMA posición.
	Instalación nueva	El hielo comenzara a producirse después de 24 horas
	Gran cantidad de hielo retirado recientemente	Deja tiempo suficiente para fabricante de hielo para producir más hielo.
	El cubo de hielo atascado en el brazo eyector de la fábrica de hielo	Saca hielo del eyector brazo con un utensilio plástico.
	Un sistema de filtración de agua de ósmosis inversa al suministro de agua fría puede disminuir la presión del agua	Ve "Requisitos de Suministro de agua."
Los cubos de hielo son huecos o pequeños (en algunos modelos) NOTA: Esto es una indicación de baja presión de agua.	La válvula de agua no es completamente abierta	Girar la valvula de cierre de agua completamente abierta
	Un estrechamiento en la tubería puede reducir el flujo de agua	Enderezar la línea de suministro de agua.
	Un sistema de filtración de agua de ósmosis inversa al suministro de agua fría puede disminuir la presión del agua	Consulte "Requisitos de suministro de agua"
	La línea de suministro o la válvula de cierre están obstruidos.	Llamar a un plomero competente
Mal sabor, olor o color gris en el hielo (en algunos modelos)	Nuevas conexiones de plomería pueden producir descolorido o de mal sabor de hielo	Desechar el hielo y lavar el depósito de hielo. Espere 24 horas para que la fábrica de hielo haga hielo nuevo, y desechen los 3 primeros lotes de hielo producido.
	Hielo almacenado demasiado tiempo puede desarrollar un mal sabor	Descarte el hielo. Lave el depósito de hielo. Deje transcurrir 24 horas para que la fábrica de hielo haga hielo nuevo.
	El olor de los alimentos se puede transferir al hielo	Utilice empaques herméticos para almacenar alimentos.
	Hay minerales (como el azufre) en el agua	Puede ser necesario instalar un filtro de agua para eliminar los minerales.

Kenmore®

Customer Care Hotline

To schedule in-home repair service
or order replacement parts

Para pedir servicio de reparación
a domicilio, y ordenar piezas

1-888-KENMORE

1-888-536-6673

www.kenmore.com

