

# Installation Instructions

for Dryers



## Original Instructions

Keep These Instructions for Future Reference.

**CAUTION: Read the instructions before using the machine.**

(If this machine changes ownership, this manual must accompany machine.)

**Alliance**<sup>TM</sup>  
Laundry Systems

[www.speedqueen.com](http://www.speedqueen.com)

Part No. D512061R11  
October 2018





# WARNING



## WARNING

**FOR YOUR SAFETY**, the information in this manual must be followed to minimize the risk of fire or explosion or to prevent property damage, personal injury or death.

W033



## WARNING

- Do not store or use gasoline or other flammable vapors and liquids in the vicinity of this or any other appliance.
- **WHAT TO DO IF YOU SMELL GAS:**
  - Do not try to light any appliance.
  - Do not touch any electrical switch; do not use any phone in your building.
  - Clear the room, building or area of all occupants.
  - Immediately call your gas supplier from a neighbor's phone. Follow the gas supplier's instructions.
  - If you cannot reach your gas supplier, call the fire department.
- Installation and service must be performed by a qualified installer, service agency or the gas supplier.

W052



## WARNING

- Installation of unit must be performed by a qualified installer.
- Install clothes dryer according to manufacturer's instructions and local codes.
- **DO NOT** install a clothes dryer with flexible plastic venting materials. If flexible metal (foil type) duct is installed, it must be of a specific type identified by the appliance manufacturer as suitable for use with clothes dryers. Refer to section on connecting exhaust system. Flexible venting materials are known to collapse, be easily crushed, and trap lint. These conditions will obstruct clothes dryer airflow and increase the risk of fire.

W729R1



## WARNING

### FOR YOUR SAFETY

**Do not store or use gasoline or other flammable vapors and liquids in the vicinity of this or any other appliance.**

W053

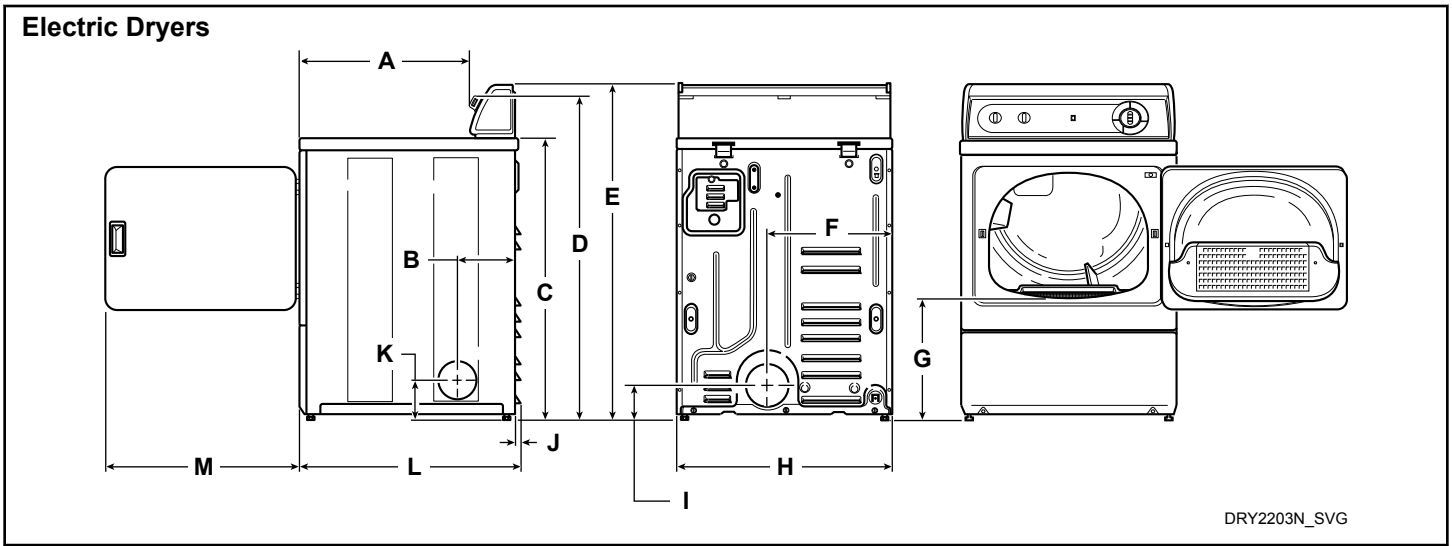
The following information applies to the state of Massachusetts, USA.

- This appliance can only be installed by a Massachusetts licensed plumber or gas fitter.
- This appliance must be installed with a 36 inch [91 cm] long flexible gas connector.
- A "T-Handle" type gas shut-off valve must be installed in the gas supply line to this appliance.
- This appliance must not be installed in a bedroom or bathroom.

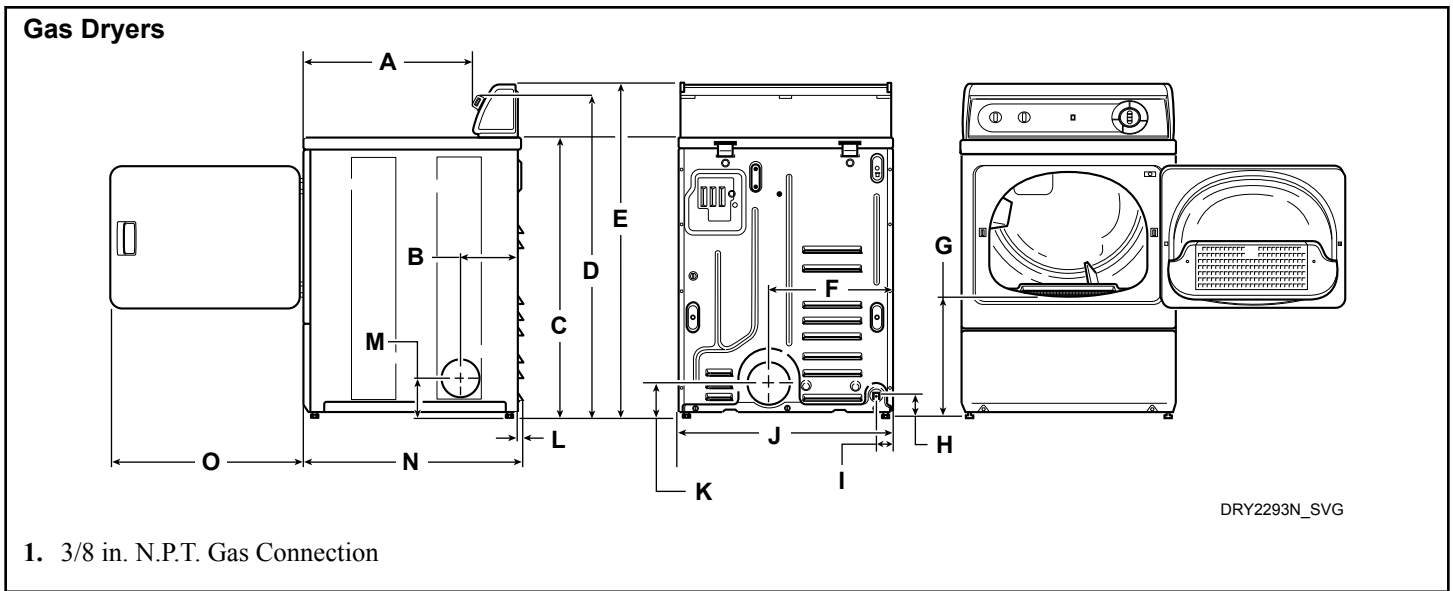
# Table of Contents

.....	3
<b>Dimensions.....</b>	<b>5</b>
<b>Installation.....</b>	<b>7</b>
Before You Start.....	7
Supplies.....	7
Parts Included.....	7
Order of Installation Steps.....	7
Position and Level the Dryer.....	7
Connect Dryer Exhaust System.....	10
Exhaust Direction.....	11
Exhaust System.....	11
Gas Dryers - Connect Gas Supply Pipe.....	13
Connect Electrical Plug (Electric Dryer Only).....	14
Grounding Information.....	14
Connecting Power Cord with Three-Wire Plug.....	15
Connecting Power Cord with Four-Wire Plug.....	17
Reverse Door, if Desired.....	18
Wipe Out Inside of Dryer.....	20
Plug In the Dryer.....	20
Electric Dryer.....	20
Gas Dryers.....	20
Grounding Information.....	20
Recheck Steps.....	21
Check Heat Source.....	21
Electric Dryers.....	21
Gas Dryers.....	21
<b>Installer Checklist.....</b>	<b>23</b>

# Dimensions



A	22.38 in. [569 mm]
B	8.0 in. [203 mm]
C	* 36 in. [914 mm]
D	* 40.25 in. [1022 mm]
E	* 43 in. [1092 mm]
F	15.4 in. [391 mm]
G	* 15.44 in. [392 mm]
H	26.875 in. [683 mm]
I	* 4.0 in. [102 mm]
J	0.4 in. [11 mm]
K	* 4.5 in. [114 mm]
L	28 in. [711 mm]
M	23.5 in. [597 mm]
<b>NOTE: Exhaust openings are 4 inch [102 mm] metal ducting.</b>	* With leveling legs turned into base.



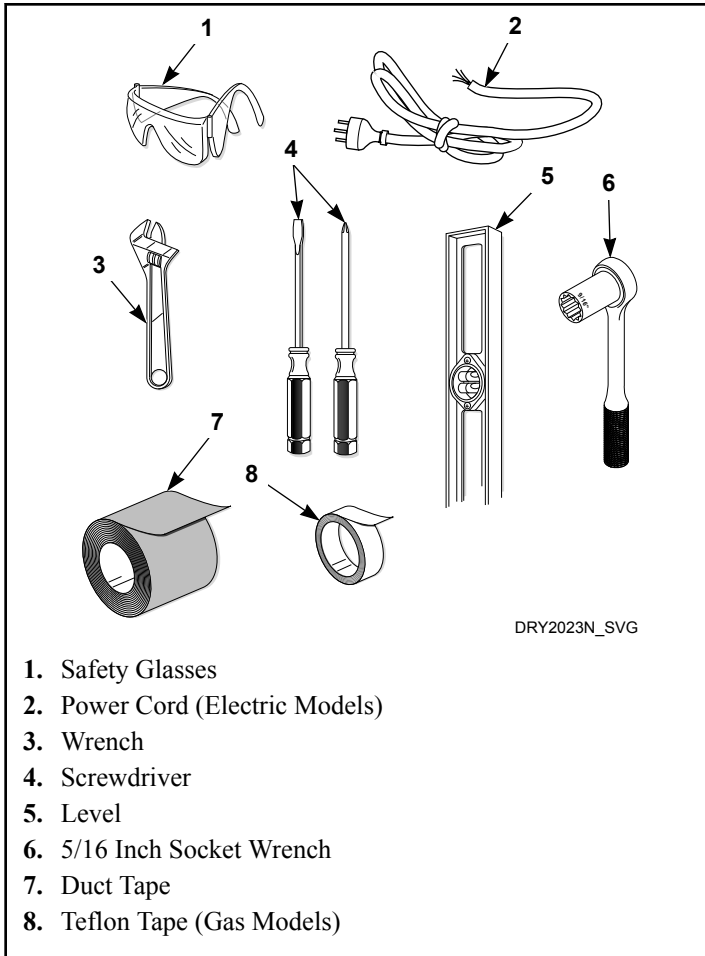
A	22.38 in. [569 mm]
B	8.0 in. [203 mm]
C	* 36 in. [914 mm]
D	* 40.25 in. [1022 mm]
E	* 43 in. [1092 mm]
F	15.4 in. [391 mm]
G	* 15.44 in. [392 mm]
H	* 2.8 in. [70 mm]
I	2.3 in. [60 mm]
J	26.875 in. [683 mm]
K	* 4 in. [102 mm]
L	0.4 in. [10 mm]
M	* 4.5 in. [114 mm]
N	28 in. [711 mm]
O	23.5 in. [597 mm]
<b>NOTE: Exhaust openings are 4 inch [102 mm] metal ducting.</b>	* With leveling legs turned into base.

# Installation

## Before You Start

### Supplies

For most installations, the basic supplies you will need are:



1. Safety Glasses
2. Power Cord (Electric Models)
3. Wrench
4. Screwdriver
5. Level
6. 5/16 Inch Socket Wrench
7. Duct Tape
8. Teflon Tape (Gas Models)

Figure 1



## WARNING

**Any disassembly requiring the use of tools must be performed by a suitably qualified service person.**

W299

### Parts Included

An accessories bag has been shipped inside your dryer. It includes:

- Installation Instructions
- User's Guide
- Dryer Rack Reply Card (Select Models Only)
- Warranty Bond

- Three screws (electric dryers only). Refer to *Electric Dryer Only - Connect Electrical Plug*.

### Order of Installation Steps

1. Position and level the dryer.
2. Connect dryer to exhaust system.
3. For gas models only, connect the gas supply pipe. Check for gas leaks.
4. For electric models only, connect the electrical cord.
5. Reverse the door, if desired.
6. Wipe out the inside of the dryer.
7. Plug in the dryer.
8. Recheck steps.
9. Check heat source.

### Position and Level the Dryer

1. Install dryer before washer. This allows room for attaching exhaust duct.
2. Select a location with a solid floor. Dryers installed in residential garages must be elevated 18 inches [457 mm] above the floor.

No other fuel burning appliance should be installed in the same closet with the dryer.

The dryer must not be installed or stored in an area where it will be exposed to water and/or weather.

Leveling legs can be adjusted from inside the dryer with 1/4 in. driver. All four legs must rest firmly on the floor so the weight of the dryer is evenly distributed.

The dryer needs sufficient clearance and an adequate air supply for proper operation and ventilation, and for easier installation and servicing. (Minimum clearances are shown in *Figure 3*).

3. Place the dryer in position, and adjust the legs until the dryer is level from side to side and front to back. The dryer must not rock.

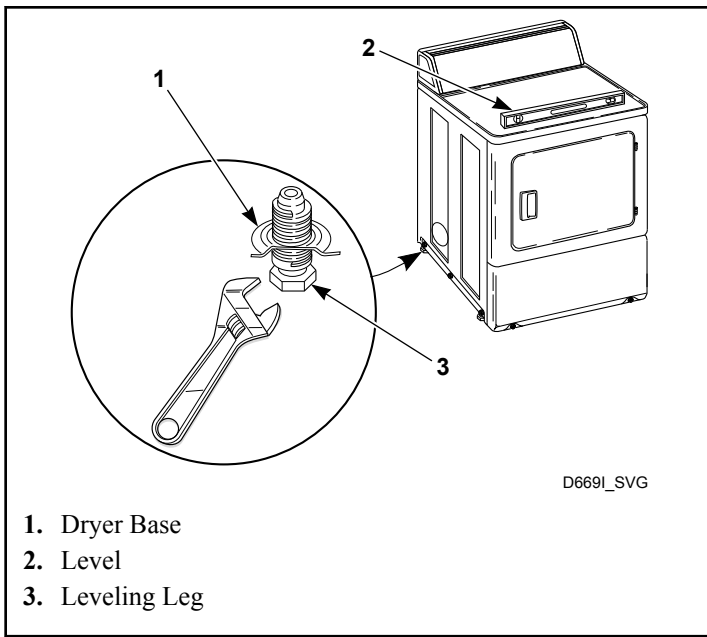
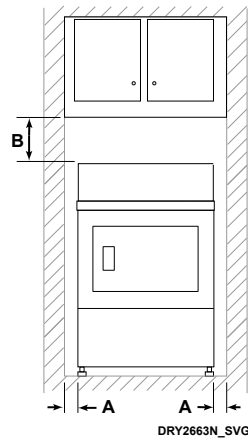


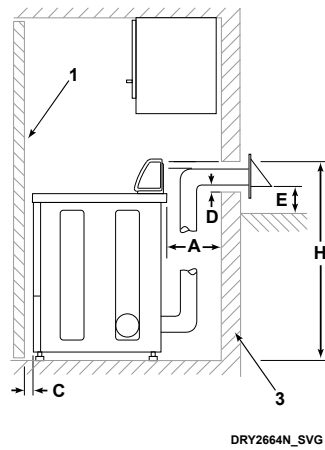
Figure 2



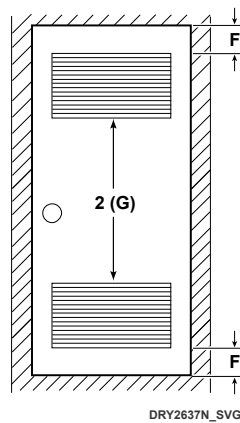
**Front View (Without Closet Door)**



**Side View (Closet Door)**



**Front View (Closet Door)**



- 1. Closet Door
- 2. Centered Air Openings (G) (2 Openings minimum)
- 3. Outer Wall of Enclosure

Figure 3


Area	Description	Free Standing/Alcove Installation	Closet Installation
A*	Dryer sides and rear clearance	0 in. [0 mm]	0 in. [0 mm]
B	Dryer top clearance	12 in. [305 mm]	12 in. [305 mm]
C	Dryer front clearance	Not Applicable	2 in. [51 mm]
D	Exhaust duct clearance to combustible material	2 in. [51 mm]	2 in. [51 mm]
E	Weather hood to ground clearance	12 in. [305 mm]	12 in. [305 mm]
F	Distance from floor or ceiling to air opening edge	Not Applicable	3 in. [76 mm]
G	Area of centered air openings in closet door. Louvered door with equivalent air openings is acceptable. (Minimum clearances are shown.)	Not Applicable	40 sq. in./open [260 sq. cm/open]
H	For new installations, locate top of wall vent 42 inches [1067 mm] above floor to make venting easier to connect.	42 in. [1067 mm]	42 in. [1067 mm]
*	Rear clearance is minimum. 2 inches [51 mm] is recommended for utility connection. 6 inches [152 mm] is recommended when venting through rear of unit.		


Table 1


**NOTE:** For new installations, locate top of wall vent 42 inches (106.7 cm) above floor to make venting easier to connect.

**IMPORTANT:** In mobile home installations, gas dryers **MUST** be permanently attached to the floor at the time of installation. Order No. 526P3 Dryer Installation Kit (available at extra cost) for a manufactured (mobile) home installation. Follow the instructions supplied with the kit.

### Connect Dryer Exhaust System

	<b>WARNING</b>
<p>To reduce the risk of fire and combustion gas accumulation the dryer <b>MUST</b> be exhausted to the outdoors.</p>	
W604	

	<b>WARNING</b>
<p>To reduce the risk of fire and the accumulation of combustion gases, <b>DO NOT</b> exhaust dryer air into a window well, gas vent, chimney or enclosed, unventilated area, such as an attic, wall, ceiling, crawl space under a building or concealed space of a building.</p>	
W045	

	<b>WARNING</b>
<p>This gas appliance contains or produces a chemical or chemicals which can cause death or serious illness and which are known to the State of California to cause cancer, birth defects, or other reproductive harm. To reduce the risk from substances in the fuel or from fuel combustion, make sure this appliance is installed, operated, and maintained according to the instructions in this manual.</p>	
W115	

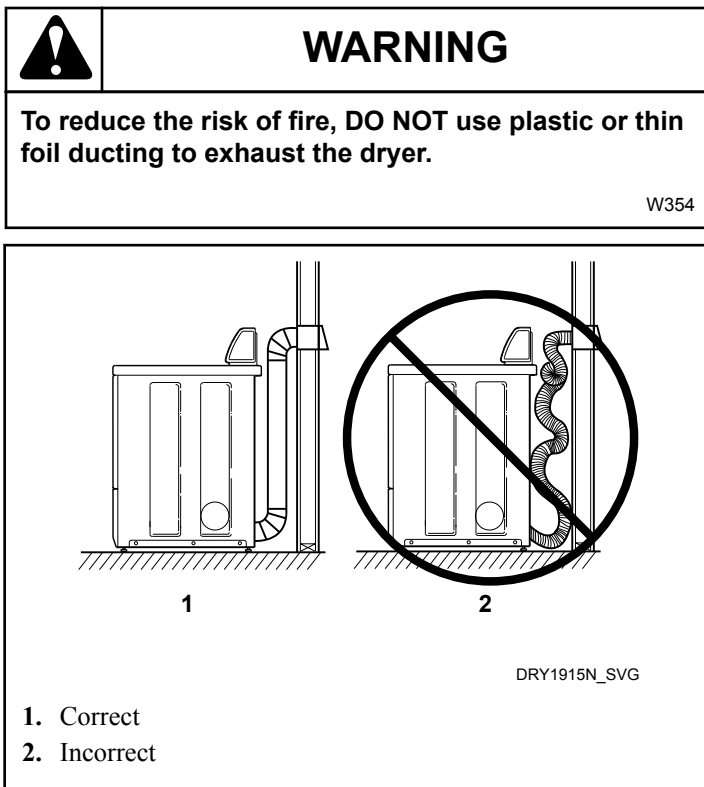


Figure 4

- DO NOT use plastic, thin foil or type B ducting. Rigid metal duct is recommended.
  - Locate dryer so exhaust duct is as short as possible.
  - Be certain old exhaust ducts are cleaned before installing your new dryer.
  - Use 4 inch [102 mm] diameter rigid or flexible metal duct.
  - The male end of each section of duct must point away from the dryer.
  - Use as few elbows as possible.
  - Use of duct tape or pop-rivets on all seams and joints is recommended, if allowed by local codes. DO NOT use sheet metal screws or fasteners on exhaust pipe joints which extend into the duct and catch lint.
  - For proper operation, it is important that the dryer has an ample amount of outside make-up air. The free area of any opening for the introduction of outdoor air must be at least 25 in.<sup>2</sup> [163 cm<sup>2</sup>].
  - When exhausting the dryer to the outdoors, the dryer can be installed with "0" inch clearance at sides and rear. Clearance of the duct from combustible construction must be a minimum of 2 inches [5.08 cm].
  - Ductwork that runs through unheated areas must be insulated to help reduce condensation and lint build-up on pipe walls.
  - In mobile home installations, dryer exhaust duct must be secured to mobile home structure.
- Dryer exhaust duct **MUST NOT** terminate under mobile home.
  - Exhaust duct must not be connected to any other duct, vent, or chimney.
  - Never install flexible duct in concealed spaces, such as a wall or ceiling.
  - Dryer exhausts 220 cfm (measured at back of dryer).
  - Energy efficient buildings with low air infiltration rates should be equipped with an air exchanger that can accommodate on demand make-up air needs in the laundry room. These devices can be obtained through your building contractor or building material suppliers.
  - Static pressure in exhaust duct should not be greater than 0.6 inches water column [1.5 cm water column] measured with manometer placed on exhaust duct two feet [610 mm] from dryer (check with dryer running and no load).
  - Exhausting dryer in hard-to-reach locations can be done by installing 521P3 Flexible Metal Vent Kit (available as optional equipment at extra cost).
  - Failure to exhaust dryer properly will void warranty.

**NOTE: Venting materials are not supplied with the dryer (obtain locally).**

### Exhaust Direction

The dryer can be exhausted to the outdoors through the back, left, right or bottom of the dryer. **EXCEPTION:** Gas dryers cannot be vented out the left side because of the burner housing.

Dryer is shipped from factory ready for rear exhaust.

Exhausting the dryer through sides or bottom can be accomplished by installing a Directional Exhaust Kit, 528P3, available as optional equipment at extra cost.

**IMPORTANT: DO NOT block the airflow at the bottom of the dryer's front panel with laundry, rugs, etc. Blockage will decrease airflow through the dryer, thus reducing the efficiency of the dryer.**

### Exhaust System

For best drying results, recommended maximum length of exhaust system is shown in *Table 2*.

To prevent backdraft when dryer is not in operation, outer end of exhaust pipe must have a weather hood with hinged dampers (obtain locally).

**NOTE: Weather hood should be installed at least 12 inches [305 mm] above the ground. Larger clearances may be necessary for installations where heavy snow-fall can occur.**

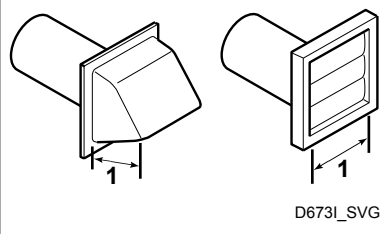
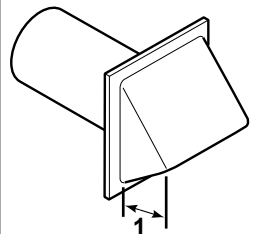

Number of 90° Elbows	Weather Hood Type	
	Recommended	Use Only for Short Run Installations
	 <p>1. 4 in. [102 mm]</p> <p>D673L_SVG</p>	 <p>D802L_SVG</p> <p>1. 2.5 in. [64 mm]</p>
<b>Maximum length of 4 in. [102 mm] diameter rigid metal duct.</b>		
0	65 feet [19.8 m]	55 feet [16.8 m]
1	55 feet [16.8 m]	47 feet [14.3 m]
2	47 feet [14.3 m]	41 feet [12.5 m]
3	36 feet [11.0 m]	30 feet [9.1 m]
4	28 feet [8.5 m]	22 feet [6.7 m]

Table 2

**NOTE: Deduct 6 feet [1.8 m] for each additional elbow.**

**NOTE: The maximum length of a 4 in. [102 mm] diameter flexible metal duct must not exceed 7.87 ft. [2.4 m], as required to meet UL2158, clause 7.3.2.A.**

## Gas Dryers - Connect Gas Supply Pipe

	WARNING
<p>To reduce the risk of gas leaks, fire or explosion:</p> <ul style="list-style-type: none"> <li>The dryer must be connected to the type of gas as shown on nameplate located in the door recess.</li> <li>Use a new flexible stainless steel connector.</li> <li>Use pipe joint compound insoluble in L.P. (Liquefied Petroleum) Gas, or Teflon tape, on all pipe threads.</li> <li>Purge air and sediment from gas supply line before connecting it to the dryer. Before tightening the connection, purge remaining air from gas line to dryer until odor of gas is detected. This step is required to prevent gas valve contamination.</li> <li>Do not use an open flame to check for gas leaks. Use a non-corrosive leak detection fluid.</li> <li>Any disassembly requiring the use of tools must be performed by a suitably qualified service person.</li> </ul>	
W316	

Natural Gas Altitude Adjustments			
Altitude	Orifice Size		Part No.
	feet [m]	No.	
3000 [915]	43	0.0890 [2.26]	D503778
6000 [1830]	44	0.0860 [2.18]	58719
8000 [2440]	45	0.0820 [2.08]	D503779
9000 [2740]	46	0.0810 [2.06]	D503780
10000 [3050]	47	0.0785 [1.99]	D503781

Table 3

1. Make certain your dryer is equipped for use with the type of gas in your laundry room. Dryer is equipped at the factory for Natural Gas with a 3/8 inch NPT gas connection.

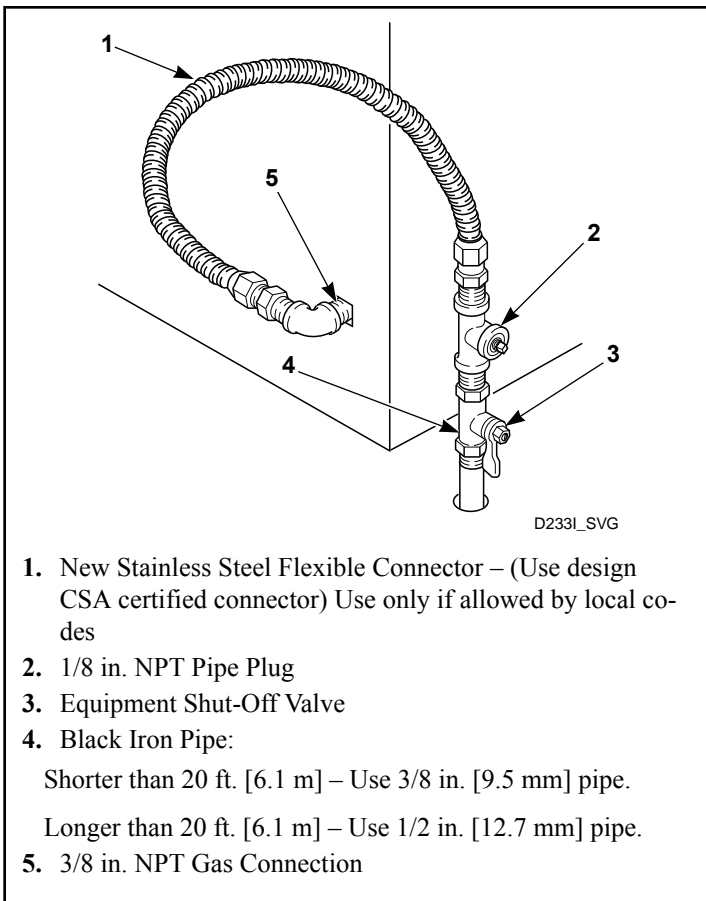
**NOTE: The gas service to a gas dryer must conform with the local codes and ordinances, or in the absence of local codes and ordinances, with the latest edition of the National Fuel Gas Code ANSI Z223.1/ NFPA 54 or the CAN/CSA-B149.1 Natural Gas and Propane Installation Code.**

Natural Gas, 1000 Btu/ft<sup>3</sup> [37.3 MJ/m<sup>3</sup>], service must be supplied at minimum 5.0 inch [127 mm] water column pressure to maximum 10.5 inch [267 mm] water column pressure.

For proper operation at altitudes above 3000 feet [915 m] the natural gas valve spud orifice size must be reduced to ensure complete combustion. Refer to *Table 3*.

2. Remove the shipping cap from the gas connection at the rear of the dryer. Make sure you do not damage the pipe threads when removing the cap.
3. Connect to gas supply pipe.

**NOTE: When connecting to a gas line, an equipment shut-off valve in accordance with the National Fuel Gas Code, ANSI Z223.1/NFPA 54 and the Natural Gas and Propane Installation Code, CSA B149.1 must be installed within 6 feet [1.8 m] of the dryer. An 1/8 in. NPT pipe plug must be installed as shown for checking inlet pressure. Refer to *Figure 5*.**



1. New Stainless Steel Flexible Connector – (Use design CSA certified connector) Use only if allowed by local codes
2. 1/8 in. NPT Pipe Plug
3. Equipment Shut-Off Valve
4. Black Iron Pipe:  
Shorter than 20 ft. [6.1 m] – Use 3/8 in. [9.5 mm] pipe.  
Longer than 20 ft. [6.1 m] – Use 1/2 in. [12.7 mm] pipe.
5. 3/8 in. NPT Gas Connection

Figure 5

4. Tighten all connections securely but don't overtighten to avoid breaking or bending the gas valve bracket. Turn on gas and check all pipe connections (internal & external) for gas leaks with a non-corrosive leak detection fluid.

**NOTE: The dryer and its appliance main gas valve must be disconnected from the gas supply piping system during any pressure testing of that system at test pressures in excess of 1/2 psi [3.45 kPa]. Refer to *Check Heat Source*.**

**NOTE: DO NOT connect the dryer to L.P. Gas Service without converting the gas valve. Install L.P. Gas Conversion Kit 649P3, available at extra cost.**

L.P. (Liquefied Petroleum) Gas, 2500 Btu/ft.<sup>3</sup> [93.1 MJ/m<sup>3</sup>], service must be supplied at 10 ± 1.5 inch water column pressure.

For proper operation at altitudes above 3000 feet [915 m] the L.P. gas valve spud orifice size must be reduced to ensure complete combustion. Refer to *Table 4*.

L.P. Altitude Adjustments			
Altitude	Orifice Size		Part No.
	feet [m]	No.	
3000 [915]	55	0.0520 [1.32]	58755
8000 [2440]	56	0.0465 [1.18]	D503786

Table 4

### Connect Electrical Plug (Electric Dryer Only)

Dryer requires 120/240 Volt or 120/208 Volt, 60 Hertz, 3 or 4 wire electrical supply. Refer to serial plate for specific electrical requirements.


**IMPORTANT: Use only a new U.L. listed No. 10 (copper wire only) three or four conductor power supply cord kit rated 240 Volts (minimum) 30 Amperes and labeled as suitable for use in a clothes dryer.**

**NOTE: The wiring diagram is located in the control hood.**

	<b>WARNING</b>
<p>To reduce the risk of fire, electric shock, serious injury or death, all wiring and grounding <b>MUST</b> conform with the latest edition of the National Electrical Code, ANSI/NFPA 70, or the Canadian Electrical Code, CSA C22.1, and such local regulations as might apply. It is the customer's responsibility to have the wiring and fuses installed by a qualified electrician to make sure adequate electrical power is available to the dryer.</p>	
W521	

### Grounding Information

This appliance must be grounded. In the event of malfunction or breakdown, grounding will reduce the risk of electric shock by providing a path of least resistance for electric current. The cord-kit must be equipped with a cord having an equipment-grounding conductor and a grounding plug. The plug must be plugged into an appropriate outlet that is properly installed and grounded in accordance with all local codes and ordinances.

	<b>WARNING</b>
<p><b>Improper connection of the equipment-grounding conductor can result in a risk of electric shock. Check with a qualified electrician or service person if you are in doubt as to whether the dryer is properly grounded.</b></p>	
W038	

Do not modify the plug provided with the cord-kit - if it will not fit the outlet, have a proper outlet installed by a qualified electrician.

The dryer has its own terminal block that must be connected to a separate branch, 60 Hertz, single phase circuit, AC (alternating current) circuit, fused at 30 Amperes (the circuit must be fused on both sides of the line). Electrical service for the dryer should be of maximum rated voltage (208 or 240 Volt, depending on heating element) listed on the nameplate. Do not connect dryer to 110, 115, or 120 Volt circuit.

Heating elements are available for field installation in dryers which are to be connected to electrical service of different voltage than that listed on nameplate, such as 208 Volt.

**NOTE: Branch circuit wire size requirements to laundry room outlet are shown in table below.**

Wire Length	Wire
Less than 15 ft. [4.5 m]	Listed No. 10 AWG Copper wire only

Table 5 *continues...*

Wire Length	Wire
Longer than 15 ft. [4.5 m]	Listed No. 8 AWG Copper wire only

Table 5

The power cord connection between wall receptacle and dryer terminal block IS NOT supplied with dryer. Type of power cord and gauge of wire must conform to local codes.

**Connecting Power Cord with Three-Wire Plug**

**NOTE: Four-wire cord is required for new branch-circuit installations, mobile homes or where codes do not permit grounding through neutral.**

**NOTE: The power cord is NOT supplied with the electric dryer. Type of power cord and gauge of wire must conform to local codes and instructions. The method of wiring the dryer is optional and subject to local code requirements.**

**NOTE: Connect the dryer to the power supply with the MAXIMUM RATED VOLTAGE listed on the serial plate.**

**NOTE: Use COPPER WIRE only.**

**Shorter than 15 ft. (4.5 m) – use 10 AWG**

**Longer than 15 ft. (4.5 m) – use 8 AWG**

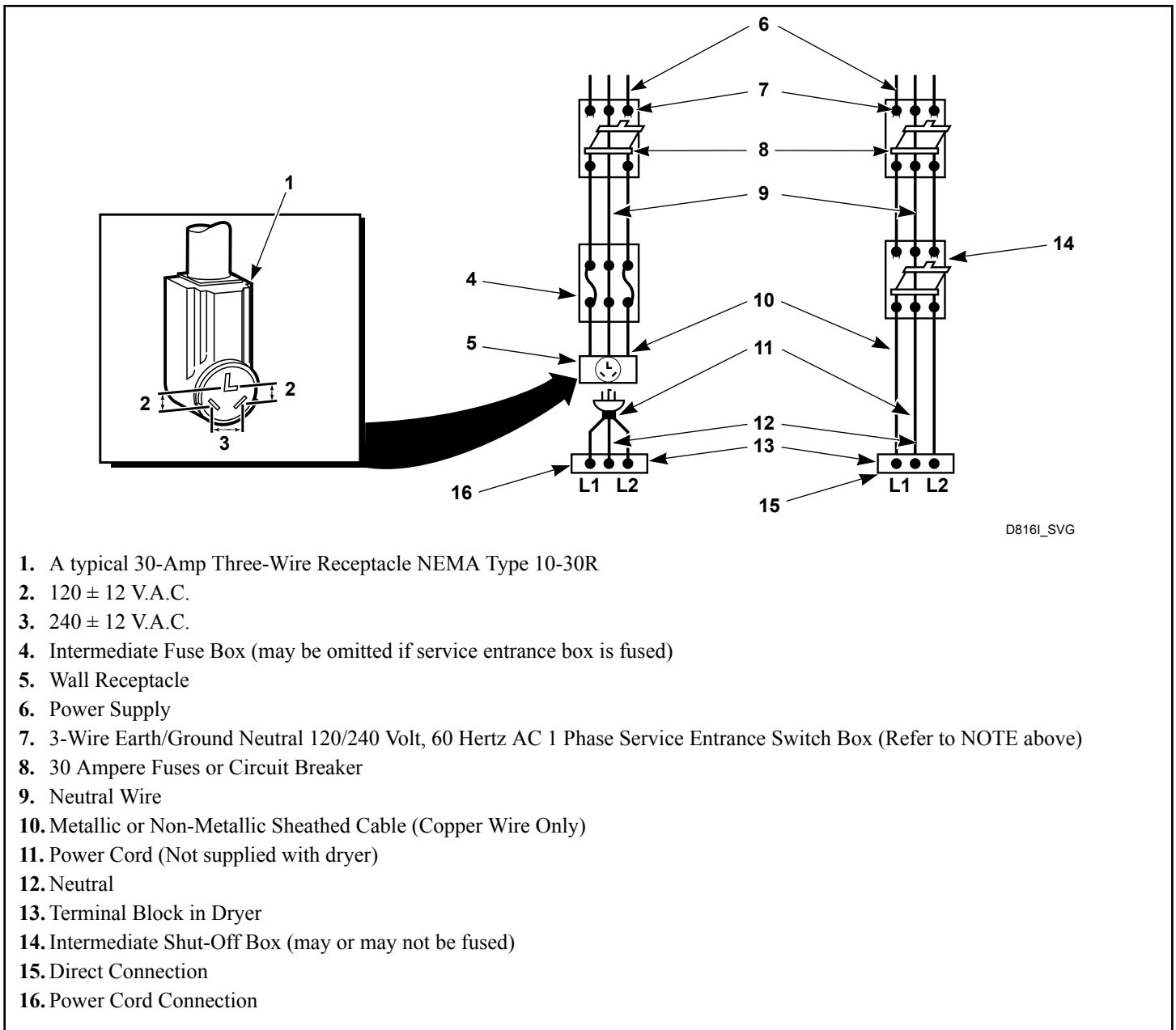


Figure 6

1. Disconnect power to dryer.
2. Remove access cover from rear of dryer.

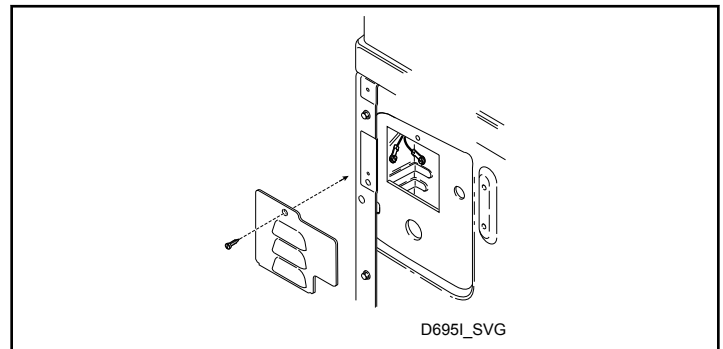


Figure 7



- Use a strain relief and insert end of power cord through power supply hole.

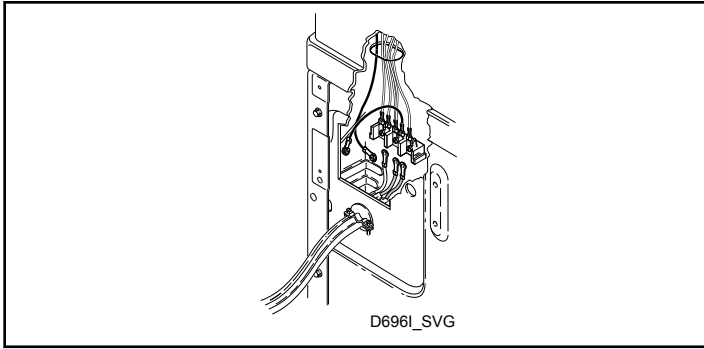


Figure 8

- Use the three screws from the accessories bag to attach the power cord wires to the terminal block. Refer to *Figure 9*.

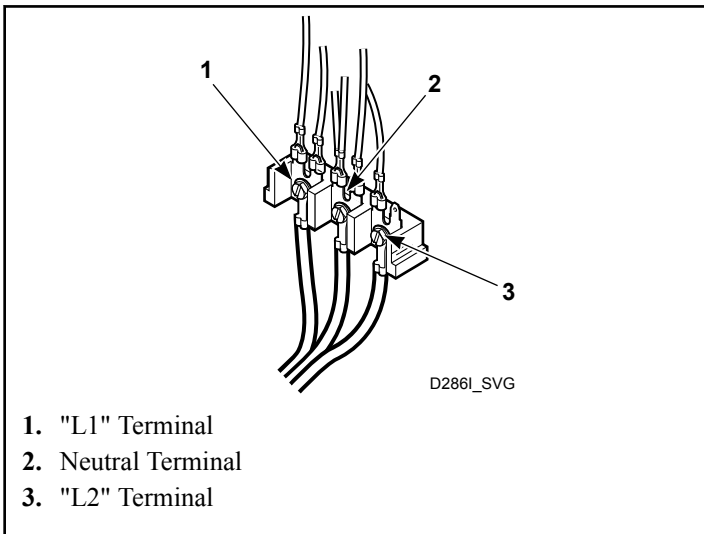
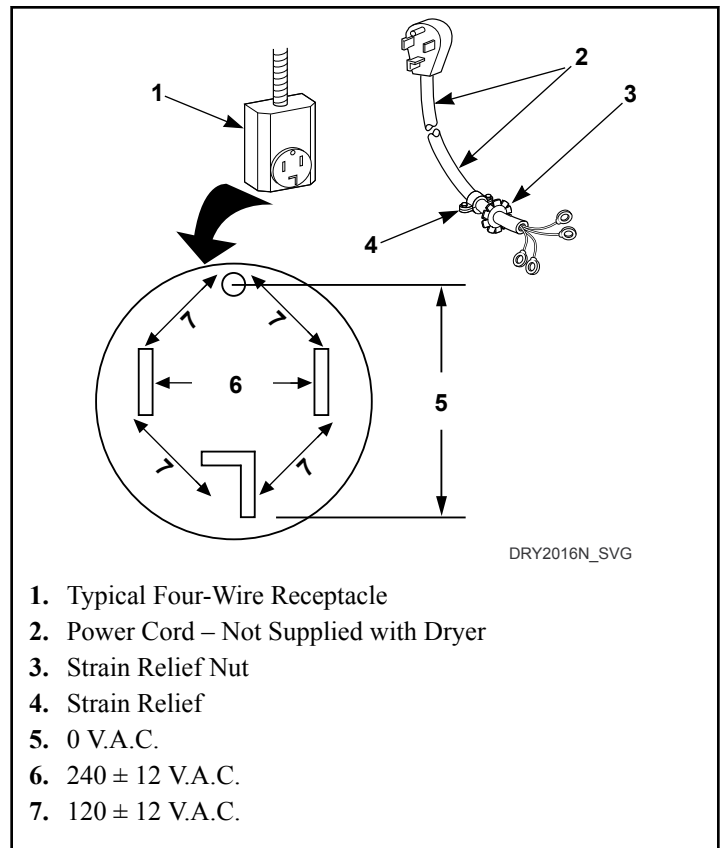


Figure 9

- Tighten all screws firmly.  
**IMPORTANT: Failure to tighten these screws firmly may result in wire failure at the terminal block.**
- Secure the strain relief to the power cord, or wires, where they enter the dryer cabinet.
- Check the continuity of the earth/ground connection before plugging the cord into an outlet. Use an acceptable indicating device connected to the center earth/ground pin of the plug and the green screw on the back of the cabinet.
- Reinstall access cover and screw.

### Connecting Power Cord with Four-Wire Plug

**NOTE: Four-wire cord is required for new branch-circuit installations, mobile homes or where codes do not permit grounding through neutral.**



- Typical Four-Wire Receptacle
- Power Cord – Not Supplied with Dryer
- Strain Relief Nut
- Strain Relief
- 0 V.A.C.
- 240 ± 12 V.A.C.
- 120 ± 12 V.A.C.

Figure 10

- Disconnect power to dryer.
- Remove access cover from rear of dryer.

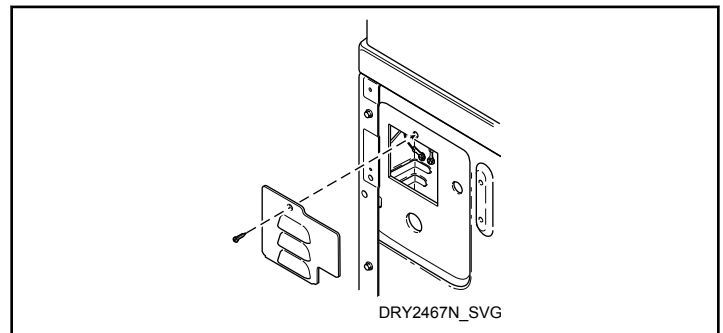


Figure 11

- Remove earth/ground screw from earth/ground to neutral wire and save for use in Step 5. Earth/ground to neutral wire will be attached to the neutral terminal in Step 6.

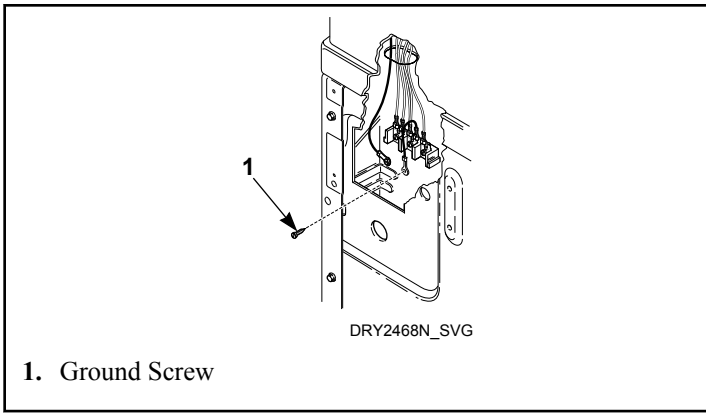


Figure 12

4. Use a strain relief and insert end of power cord through power supply hole.

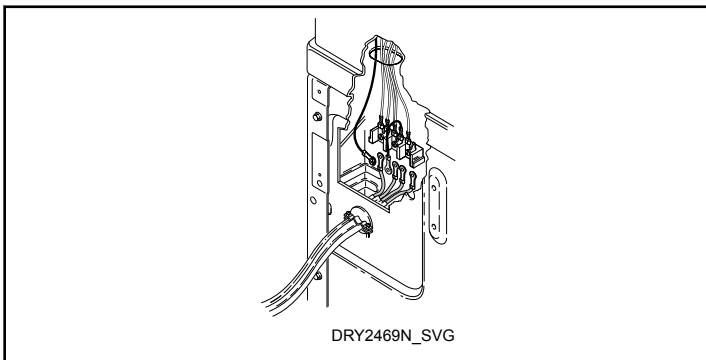


Figure 13

5. Attach power cord earth/ground (green) wire to rear bulkhead using earth/ground screw removed in Step 3.

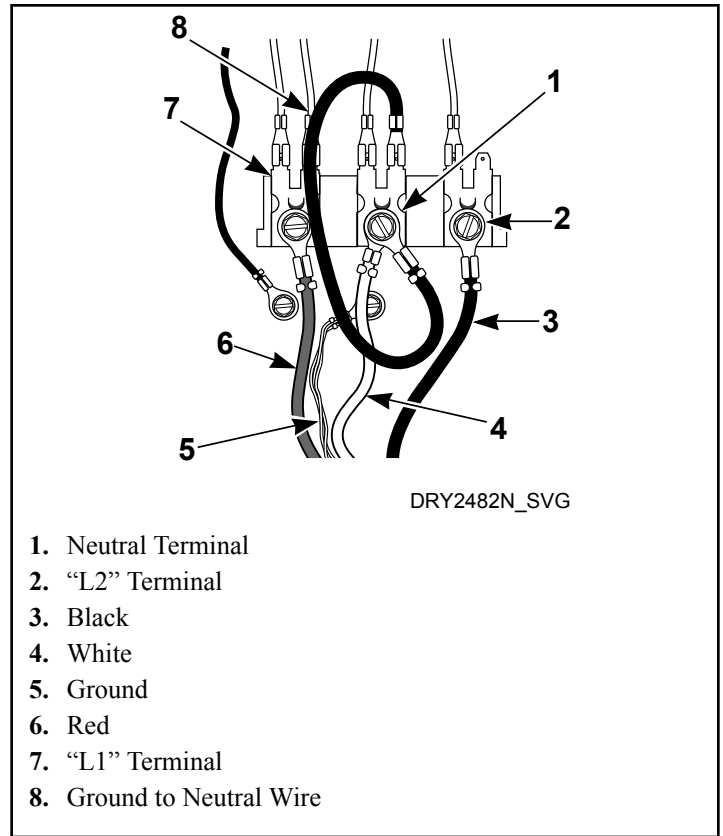


Figure 14

6. Use the three screws from the accessories bag to attach the remaining power cord wires to the terminal block as follows:
  - a. Red wire to "L1" terminal.
  - b. Black wire to "L2" terminal.
  - c. White wire to Neutral terminal.

**NOTE: When installing the white wire, loop the free eyelet end of the earth/ground to neutral wire (removed in Step 3) and attach along with the white wire to the neutral (center) terminal on the terminal block.**

7. Tighten all screws firmly.
 

**IMPORTANT: Failure to tighten these screws firmly may result in wire failure at the terminal block.**
8. Secure the strain relief to the power cord, or wires, where they enter the dryer cabinet.
9. Check the continuity of the ground connection before plugging the cord into an outlet. Use an acceptable indicating device connected to the center grounding pin of the plug and the green screw on the back of the cabinet.
10. Reinstall access cover and screw.

## Reverse Door, if Desired

The door on this dryer is completely reversible. To reverse door proceed as follows:

1. Remove four hinge attaching screws.

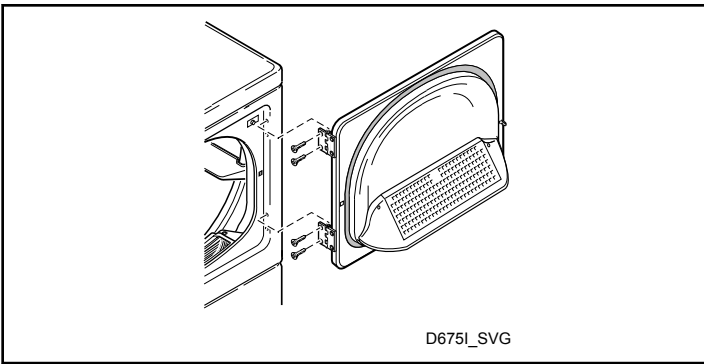


Figure 15

- Remove door strike from door liner and reinstall on opposite side.

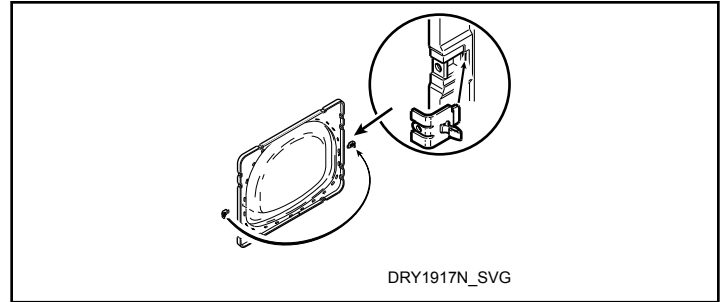


Figure 19

- Remove all nine screws.

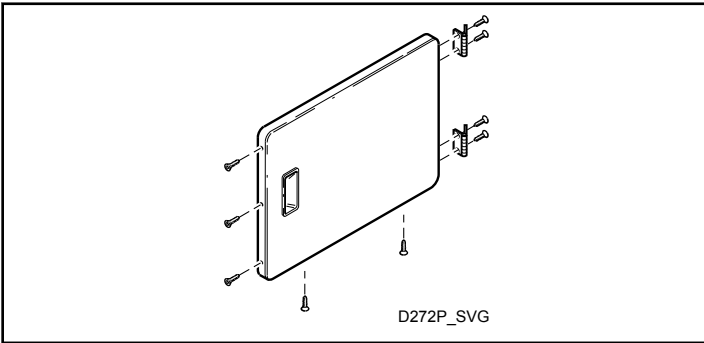


Figure 16

- Insert liner under flange on bottom of door, then push top of door liner into place.

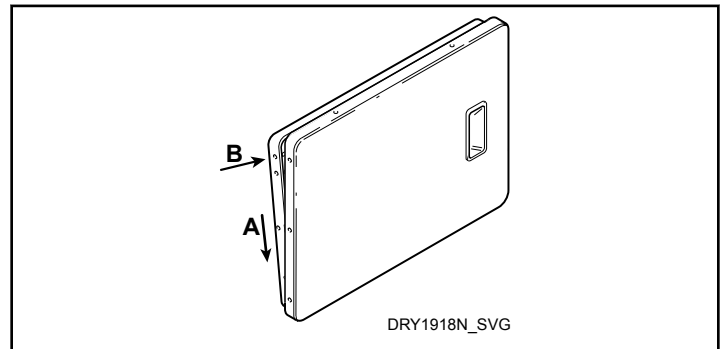


Figure 20

- Pull bottom of door liner out, then pull down, removing door liner from door panel.

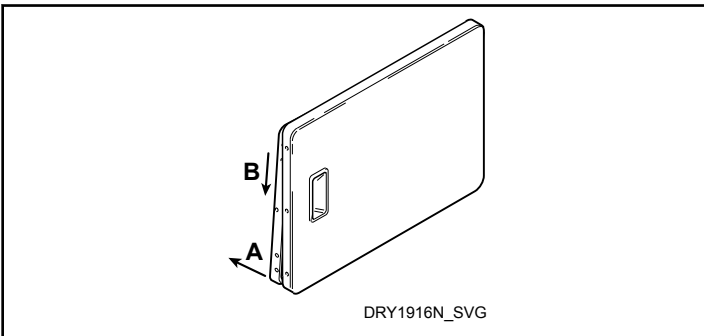


Figure 17

- Reinstall nine screws removed in Step 2.

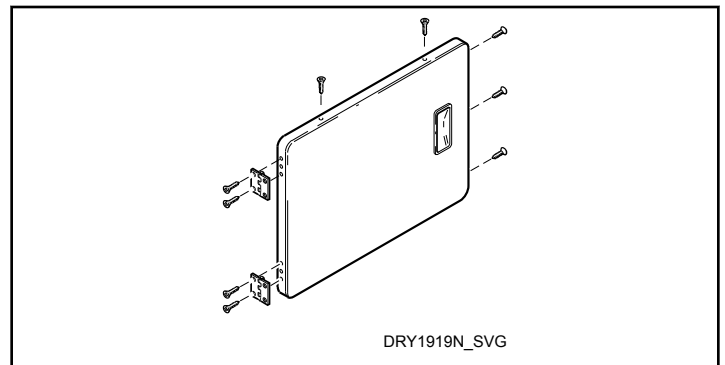


Figure 21

- Rotate door panel 180 degrees as shown.

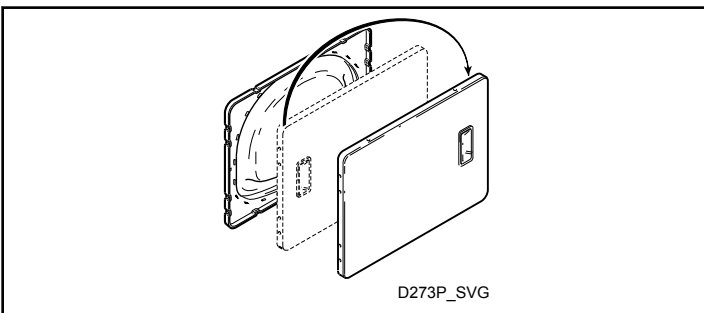


Figure 18

- Using screwdriver, remove two door plugs, and reinstall on opposite side of door opening.

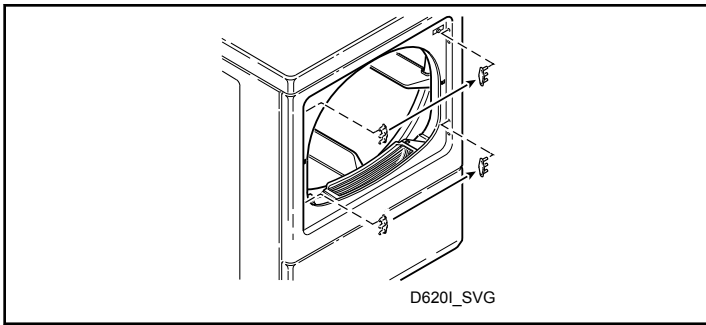


Figure 22

9. Reinstall four hinge attaching screws, removed in Step 1.

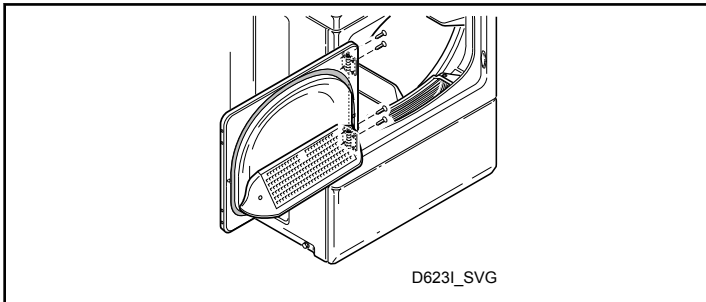


Figure 23

## Wipe Out Inside of Dryer

Before using dryer for the first time, use an all-purpose cleaner, or a detergent and water solution, and a damp cloth to remove shipping dust from inside dryer drum.

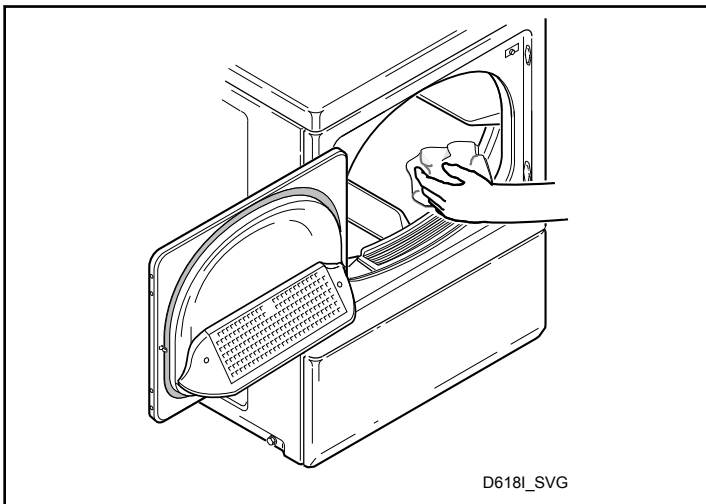


Figure 24

## Plug In the Dryer

### Electric Dryer

Connect the dryer to an electrical power source. Refer to *Electric Dryer Only - Connect Electrical Plug* for information on connecting power cord.

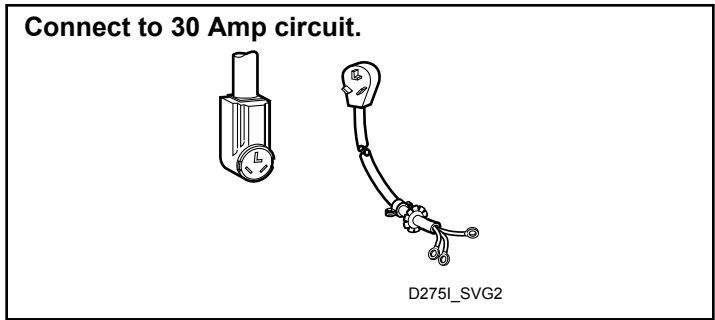


Figure 25

### Gas Dryers

Dryer requires 120 Volt, 60 Hertz electrical supply and comes equipped with a 3-prong grounding plug. Refer to serial plate for specific electrical requirements.

**NOTE: The wiring diagram is located in the control hood.**



## WARNING

**To reduce the risk of fire, electric shock, serious injury or death, all wiring and grounding MUST conform with the latest edition of the National Electrical Code, ANSI/NFPA 70, or the Canadian Electrical Code, CSA C22.1, and such local regulations as might apply. It is the customer's responsibility to have the wiring and fuses installed by a qualified electrician to make sure adequate electrical power is available to the dryer.**

W521

When plugging in the dryer:

- Do not overload circuits.
- Do not use an adapter.
- Do not use an extension cord.
- Do not operate both a washer and gas dryer on the same circuit. Use separately fused 15 amp circuits.


The dryer is designed to be operated on a separate branch, polarized, three-wire, effectively grounded, 120 Volt, 60 Hertz, AC (alternating current) circuit protected by a 15 Ampere fuse, equivalent fusetron or circuit breaker.


The three-prong grounding plug on the power cord should be plugged directly into a polarized three-slot effectively grounded receptacle rated 120 Volts AC (alternating current) 15 Amps. Refer to *Figure 26* to determine correct polarity of the wall receptacle.

### Grounding Information

This dryer must be grounded. In the event of malfunction or breakdown, grounding will reduce the risk of electric shock by providing a path of least resistance for electric current. The dryer

is equipped with a cord having an equipment-grounding conductor and a 3 prong grounding plug. The three-prong grounding plug on the power cord should be plugged directly into a polarized three-slot effectively grounded receptacle rated 110/120 Volts AC (alternating current) 15 Amps.


	<b>WARNING</b>
<p><b>This dryer is equipped with a three-prong (grounding) plug for your protection against shock hazard and should be plugged directly into a properly grounded three-prong receptacle. Do not cut or remove the grounding prong from this plug.</b></p>	
W036	

	<b>WARNING</b>
<p><b>Improper connection of the equipment-grounding conductor can result in a risk of electric shock. Check with a qualified electrician or service person if you are in doubt as to whether the dryer is properly grounded.</b></p>	
W038	

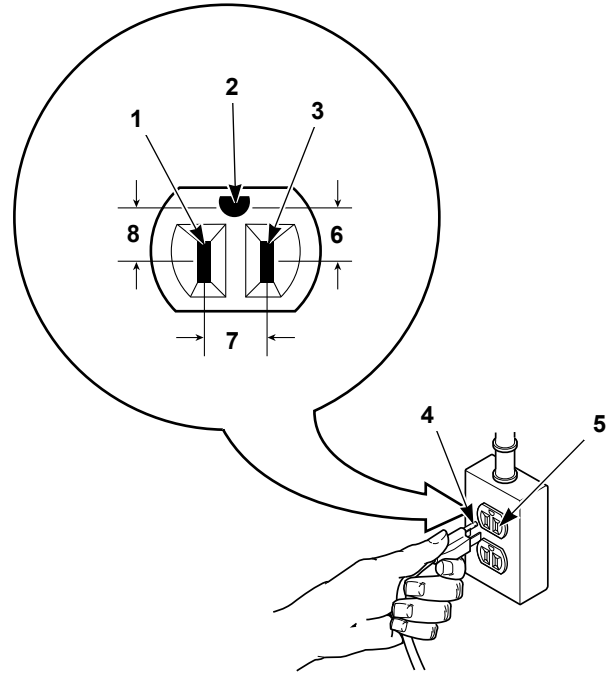
Do not modify the plug provided with the dryer - if it will not fit the outlet, have a proper outlet installed by a qualified electrician.

**NOTE: Have a qualified electrician check the polarity of the wall receptacle. If a voltage reading is measured other than that listed on the dryer's nameplate, the qualified electrician should correct the problem.**

Do not operate other appliances on the same circuit when this appliance is operating.

	<b>WARNING</b>
<p><b>To reduce the risk of an electric shock or fire, DO NOT use an extension cord or an adapter to connect the dryer to the electrical power source.</b></p>	
W037	

Plug cord into separately fused 15 Amp circuit.



DRY2022N\_SVG

1. "L1"
2. Ground
3. Neutral
4. Neutral Side
5. Round Grounding Prong
6. 0 V.A.C.
7. 120±12 V.A.C.
8. 120±12 V.A.C.

Figure 26

## Recheck Steps

Refer to Installer Checklist on the back cover of this manual and make sure that dryer is installed correctly.

## Check Heat Source

### Electric Dryers

1. Close the loading door and start the dryer in a heat setting (refer to the operation instructions).
2. After the dryer has operated for three minutes, the exhaust air or exhaust pipe should be warm.

### Gas Dryers

**IMPORTANT: This operation is to be conducted by qualified personnel only.**

1. To view the burner flame, remove the lower front panel of the dryer.


2. Close the loading door and start the dryer in a heat setting (refer to the operation instructions). The dryer will start, the igniter will glow red and the main burner will ignite.

**IMPORTANT: If all air is not purged out of gas line, gas igniter may go off before gas is ignited. If this happens, after approximately two minutes igniter will again attempt gas ignition.**

**IMPORTANT: If igniter does not light, make sure gas is turned on.**

3. After the dryer has operated for approximately five minutes, observe burner flame through lower front panel.
4. After either dryer has operated for approximately five minutes, observe burner flame through lower front panel.
5. Adjust the air shutter to obtain a soft, uniform blue flame. (A lazy, yellow-tipped flame indicates lack of air. A harsh, roaring, very blue flame indicates too much air.) Adjust the air shutter as follows:
  - a. Loosen the air shutter lockscrew.

- b. Turn the air shutter to the left to get a luminous yellow-tipped flame, then turn it back slowly to the right to obtain a steady, soft blue flame.
  - c. After the air shutter is adjusted for proper flame, tighten the air shutter lockscrew.
6. Reinstall the lower front panel.

	<b>WARNING</b>
<p><b>To reduce the risk of serious injury or death, lower front panel must be in place during normal operation.</b></p>	
<p>W158</p>	

7. After the dryer has operated for approximately three minutes, exhaust air or exhaust pipe should be warm.
8. After either dryer has operated for approximately three minutes, exhaust air or exhaust pipe should be warm.

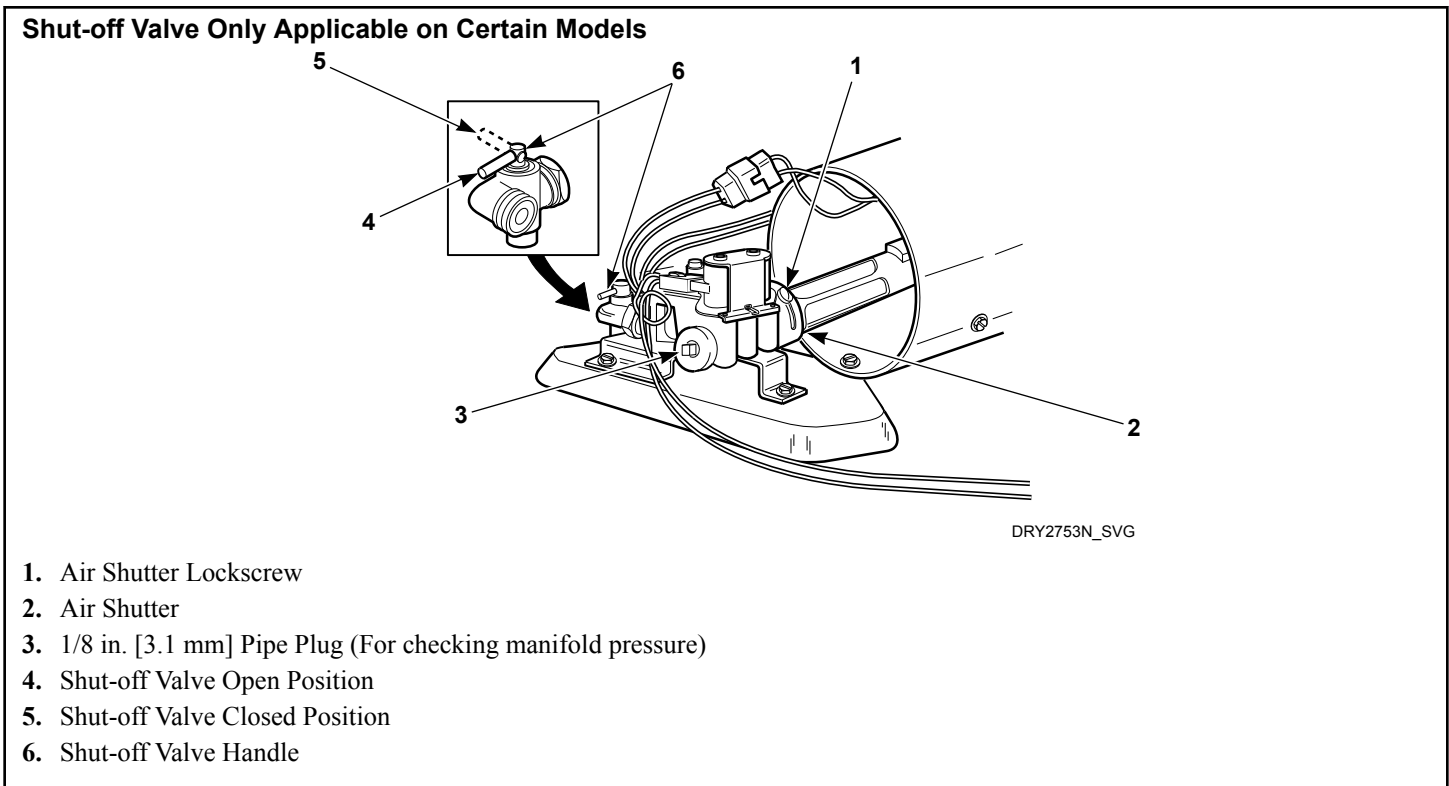
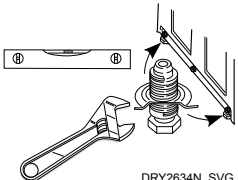
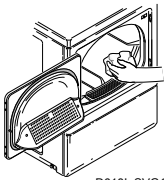
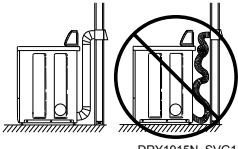
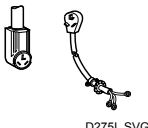
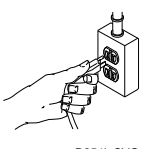
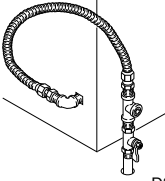
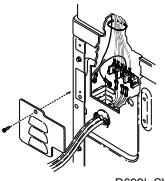
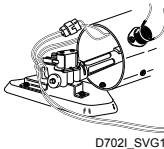
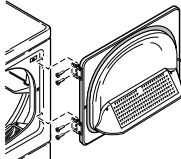


Figure 27

# Installer Checklist

## Fast Track for Installing the Dryer

1	Position and Level the Dryer.	 <p>DRY2634N_SVG</p>	6	Wipe Out Inside of Dryer.	 <p>D618I_SVG1</p>
	CHECK			CHECK	
2	Connect Dryer Exhaust System.	 <p>DRY1915N_SVG1</p>	7	Plug In the Dryer.	<p>Electric</p>  <p>D275I_SVG1</p> <p>Gas</p>  <p>D254I_SVG</p>
	CHECK			CHECK	
3	<p>GAS ONLY</p> <ul style="list-style-type: none"> <li>• Connect Gas Supply Pipe.</li> <li>• Check for Gas Leaks.</li> </ul>	 <p>D258I_SVG1</p>	8	Recheck Steps.	
	CHECK			CHECK	
4	<p>ELECTRIC ONLY</p> <ul style="list-style-type: none"> <li>• Connect Electrical Cord.</li> </ul>	 <p>D699I_SVG1</p>	9	Check Heat Source	 <p>D702I_SVG1</p>
	CHECK			CHECK	
5	Reverse Door, if Desired.	 <p>D675I_SVG1</p>			
	CHECK				

Refer to the manual for more detailed information