



Installation Instructions

If you have questions, call GE Appliances at 800.GE.CARES (800.432.2737) or visit our website at: GEAppliances.com. In Canada, please call 1.800.561.3344 or visit www.geappliances.ca

15" Built-In Compactors

UCG1500 Series

UCG1600 Series

BEFORE YOU BEGIN

Read these instructions completely and carefully.

▲ WARNING

For your safety, the information in this manual must be followed to minimize the risk of fire, explosion, electric shock, and to prevent property damage, personal injury, or death.

▲ WARNING

For personal safety, remove house fuse or open circuit breaker before beginning installation to avoid severe or fatal shock injury.

▲ WARNING

Do not allow items to fall or collect behind the compactor. Failure to follow this instruction could result in a fire.

**READ CAREFULLY
KEEP THESE INSTRUCTIONS**

FOR YOUR SAFETY

Read and observe all **WARNINGS** and **CAUTIONS** shown throughout these instructions.

While performing installations described in this booklet, gloves, safety glasses or goggles should be worn.

IMPORTANT – Observe all governing codes and ordinances.

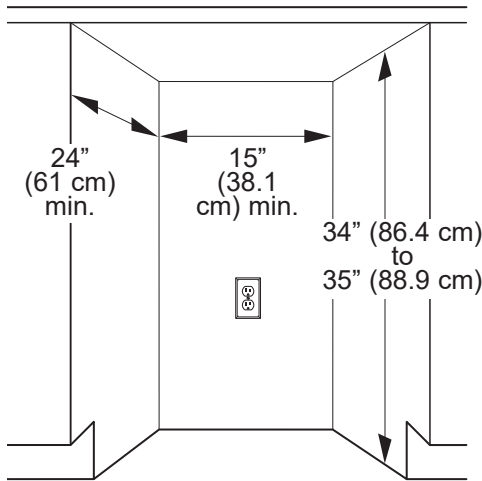
- **Note to Installer** – Be sure to leave these instructions for the consumer's and local inspector's use.
- **Note to Consumer** – Keep these instructions with your Owner's Manual for future reference.
- **Skill Level** – Installation of this appliance requires basic mechanical and electrical skills.
- **Completion Time – 1 to 3 Hours.** New installations require more time than replacement installations.
- Proper installation is the responsibility of the installer.
- Product failure due to improper installation is not covered under the GE Appliances Warranty. See warranty information.

IMPORTANT

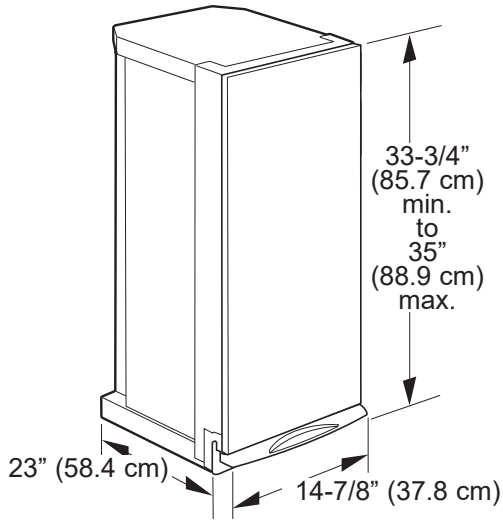
- This compactor is for household use only.
- Use this compactor only for its intended purpose.
- This compactor is designed for **BUILT-IN** installations **ONLY**.
- Care should be exercised when the appliance is installed or removed, to reduce the likelihood of damage to the power supply cord.
- If you received a damaged compactor, you should immediately contact your dealer or builder.

Design Information

PRODUCT DIMENSIONS AND CLEARANCES



Locate the outlet 18" (45.7 cm) min. from the floor, 3" (7.6 cm) min. from either side



- Allow 23" (58.4 cm) clearance at the front for a full drawer opening.
- Allow 6" (15.2 cm) clearance on the right side to the nearest vertical wall or cabinet for bag removal.
- **Note:** This compactor is designed for built-in applications only.

TOOLS REQUIRED

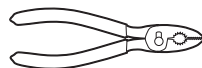
- Level



- Phillips screwdriver



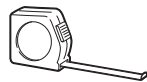
- Pliers



- Gloves



- Measuring tape



All parts are located in a package inside the drawer. To order additional parts, call 800.626.2002 or visit GEAppliances.com in the United States. In Canada, call 1.800.561.3344 or visit www.GEAppliances.ca.

PARTS SUPPLIED

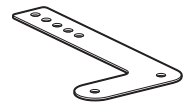
- 6 mounting screws, #8 x 11/16" (1.8 cm) long



- 2 side-mounting clips



- 2 countertop retaining brackets



ADVANCE PLANNING

CLEARANCES

- You should be able to fully open the compactor drawer. Six inches (15.2 cm) is required on the right side of the compactor for bag removal.
- Allow 23 inches (58.4 cm) in front of the compactor to remove the drawer.
- This compactor is designed as a built-in appliance only. It may be located in any convenient space under a countertop. **DO NOT OPERATE FREE-STANDING.**
- The compactor may be installed beneath countertops of stone or other materials that will not accept screws. No trim kit is required.

The compactor must be securely installed in a cabinet that is firmly attached to the house structure. Weight on the compactor drawer could cause the compactor to tip and result in injury. Never allow anyone to climb, sit or hang on the compactor drawer.

MODEL WITH A CUSTOM DRAWER PANEL - UCG1650LII

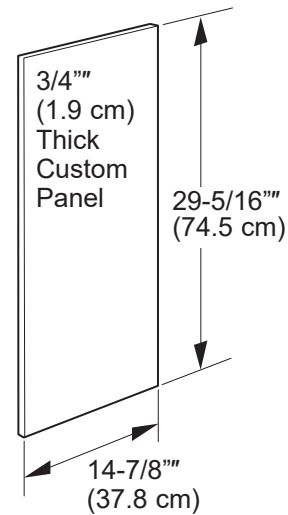
The custom drawer panel and custom handle of your choice should be secured to the compactor before installation begins. A template with instructions and installation hardware is provided with this model.

For planning purposes, you may order the template in advance by calling GE Appliances at 1.800.GE.CARES (1.800.423.2737) or by visiting our website at GEAppliances.com in the United States. In Canada, call 1.800.561.3344 or visit GEAppliances.ca.

Order Pub. No. 31-31582. Complete panel installation instructions are included on the template.

CUSTOM PANEL SIZE REQUIREMENTS:

Maximum panel weight is 12 LBS (5.4 kg).



Installation Preparation

ELECTRICAL REQUIREMENTS

⚠ WARNING - Electrical Shock Hazard

For personal safety, remove house fuse or open circuit breaker before beginning installation to avoid severe or fatal shock injury. Do not use an extension cord or adapter plug with this appliance.

Be sure that the electrical connection and wire size are adequate and in conformance with the National Electric Code, ANSI/NFPA 70 - latest edition, and all local codes and ordinances.

This appliance must have:

- 120V, 60Hz, AC-only, 15-ampere or 20-ampere, fused electrical supply.
- A properly grounded branch circuit.
- The outlet box should be located within reach of the 36" (91.4) power cord.
- If the electrical supply does not meet the above requirements, call a licensed electrician before proceeding.

It is recommended to have:

- A circuit breaker or time-delay fuse.
- A dedicated or individual branch circuit.

GROUNDING REQUIREMENTS

⚠ WARNING

The improper connection of the equipment-grounding conductor can result in a risk of electric shock. Check with a qualified electrician or service representative if you are in doubt that the appliance is properly grounded.

- Electrical Ground is **REQUIRED** on this compactor.
- **DO NOT** ground to a gas pipe.
- **DO NOT** change the power supply cord plug. If it does not fit the outlet, have a proper outlet installed by a qualified electrician.
- **DO NOT** have a fuse in the neutral or grounding circuit. A fuse in the neutral or grounding circuit could result in an electrical shock.
- **DO NOT** use an extension cord with this compactor.

Failure to follow these instructions could result in death or serious injury.

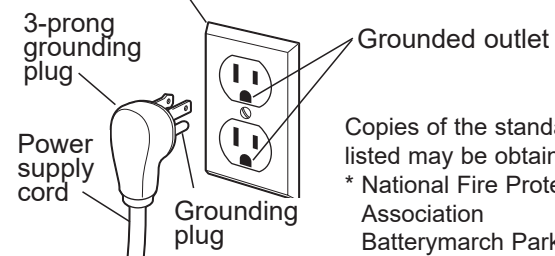
GROUNDING REQUIREMENTS (CONT.)

Grounding Instructions:

For your personal safety, this appliance must be grounded while in use to reduce the risk of electric shock. The appliance is equipped with a three-conductor power supply cord and a three-prong grounding-type plug to fit the proper grounding-type receptacle. The green (or green and yellow-colored) conductor in the cord is the grounding wire. Never connect the green (or green and yellow) wire to a live terminal.

This appliance is for use on a nominal 120-volt circuit and has a grounding attachment plug as shown in the figure below. Make sure that the appliance is connected to an outlet having the same configuration as the plug. No adapter should be used with this appliance.

3-prong grounding-type wall receptacle



Copies of the standards listed may be obtained from:
* National Fire Protection Association
Batterymarch Park,
Quincy, MA 02260

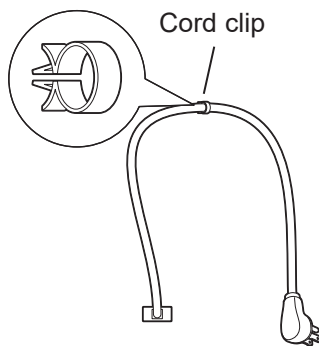
To minimize possible shock hazard, the cord must be plugged into the proper mating three-prong grounding-type wall receptacle, grounded in accordance with the National Electrical Code ANSI/NFPA70—latest edition* and all local codes and ordinances.

If a mating wall receptacle is not available, it is the personal responsibility and obligation of the customer to have a properly grounded three-prong wall receptacle installed by a qualified electrician.

Installation Preparation

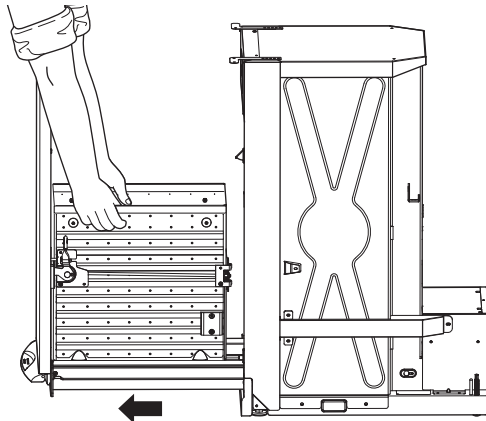
1 UNPACKING THE COMPACTOR

- Move the compactor close to the installation location.
- Use a section of the shipping carton to protect the finished floor.
- Remove all protective packaging materials such as tape or shipping pads. Remove waxy residue caused by shipping material with a mild solution of liquid household cleaner and water.
- Check that the power supply cord is attached to the cord clip on the rear of the compactor.



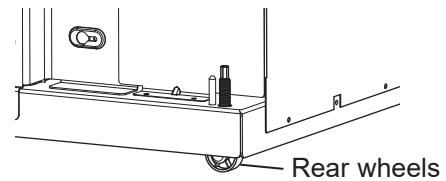
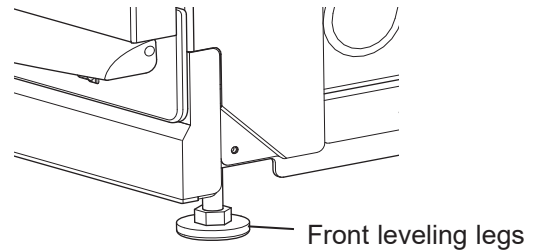
IMPORTANT: Use the shipping carton as a pad. Do not slide the compactor across a finished floor. Damage will occur.

- Open the compactor drawer and remove any shipping materials or other items shipped in the drawer.
- Do not remove the compactor bag (if installed).
- Grasp the sides of the drawer and lift it out of the compactor. Place the drawer on a protected surface. The drawer can scratch a finished floor.

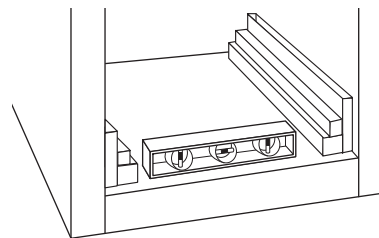


2 LEVELING THE COMPACTOR

- The top of the compactor should be at least 1/8" (3 mm) from the top of the cabinet opening. You can adjust the height of the compactor by turning the screws on the front leveling legs and rear wheels.



- Place a level inside the compactor on the floor of the cabinet.

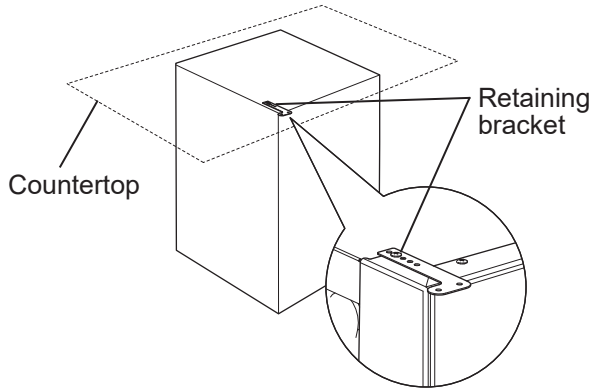


- Use the leveling legs to adjust level front to back and side to side.

Installation Preparation

3 ADJUST RETAINING BRACKET

- Determine installation depth of the compactor beneath the countertop.
- Adjust the position of the retaining brackets so that the screws can meet the underside of the countertop.
- Mounting clips are provided for stone or other hard countertops that will not accept screws.



OPTIONAL STAINLESS STEEL TOEKICK ASSEMBLY

Order on-line at GEApplianceParts.com, 24 hours a day or by phone at **877.959.8688** during normal business hours. To replace the included black toekick assembly with a stainless steel toekick assembly, order the following three parts:

Part Number	Accessory
WC17X10019	Kickplate - Stainless Steel
WC17X10011	Adjustable Panel - Stainless Steel
WC17X10006	Toekick - Stainless Steel

5 POSITION COMPACTOR UNDER THE COUNTERTOP

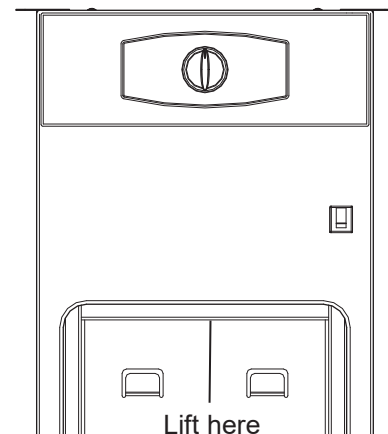
▲ CAUTION

When moving the compactor, use gloves to protect and cushion your hands.

To protect the finished flooring, use a dolly to move the compactor near the installation location.

Failure to follow these instructions could result in injury.

- Plug the power cord into a properly grounded receptacle.
- Carefully lift the front of the compactor slightly and roll the unit into the cabinet opening.



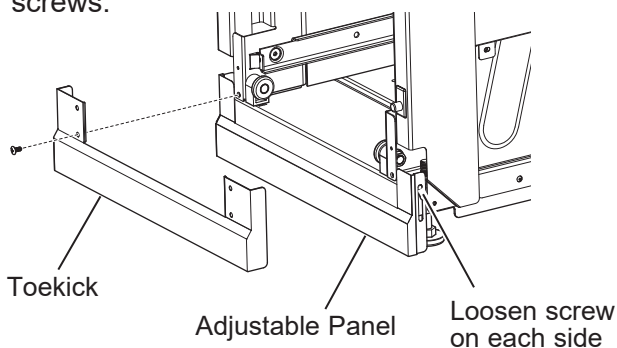
4 ADJUSTING THE BASE TOEKICK

A toekick extension is supplied. It can be used to cover any gaps from the bottom of the compactor to the floor. (See the **OPTIONAL STAINLESS STEEL TOEKICK ASSEMBLY** section following this step for available accessories.)

- Remove the toekick screws as shown. Lift off toekick piece.
- Loosen the adjustable panel screws, adjust to touch the floor and tighten the screws.

NOTE: If replacing with stainless steel assembly accessories, remove the screws and lift off. Install the new stainless steel toekick assembly accessories.

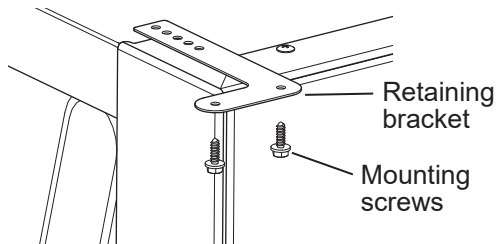
- Reinstall the toekick piece with the original screws.



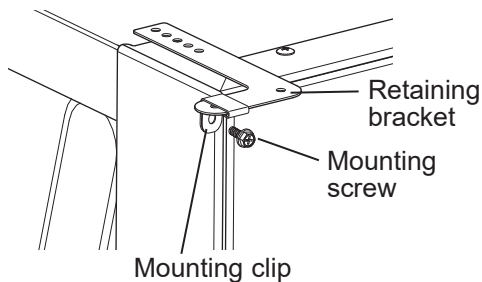
Installation

6 ATTACH THE COMPACTOR TO THE COUNTERTOP

- Use two #8 x 11/16" (1.8 cm) long mounting screws to fasten each retaining bracket at the top of the compactor to the underside of the countertop.

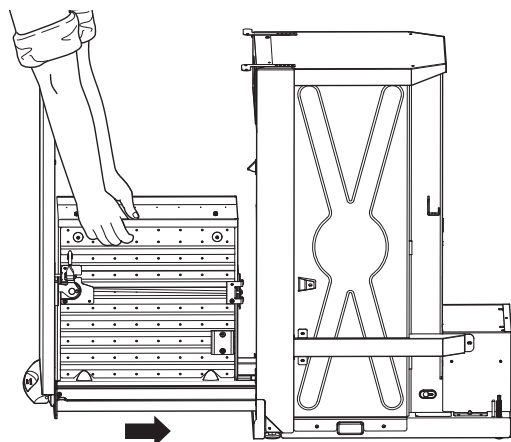


- If the brackets cannot be attached to the underside of the countertop, attach mounting clips to the bracket. Fasten the compactor to the cabinet front with mounting screws through the mounting clips.



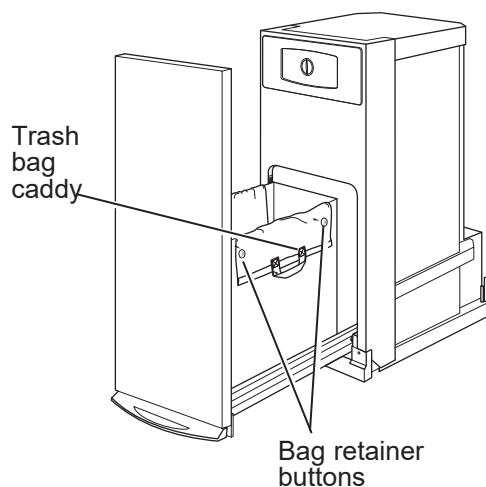
7 REINSTALL THE COMPACTOR DRAWER

- Grasp the sides of the drawer. Carefully slide the drawer into the compactor.



8 INSTALLATION OF THE TRASH BAG CADDY (on some models)

- Set the bag caddy into the drawer and hook the prepunched holes in the caddy on the bag retainer buttons.
- Set the trash bag into the bag caddy and fold over.
- Hook the holes in the bag over the bag retainer buttons.



9 FINALIZE THE INSTALLATION

- Turn power on at the source.
- Turn the knob to ON.
- Make sure the drawer is fully closed.
- Lift the foot pedal to start the cycle.
- The ram will travel downward, reverse and return to the starting position.
- The compactor will shut off automatically.
- The cycle should take less than 30 seconds.
- Refer to your Owner's Manual for operating instructions.

NOTE: Product improvement is a continuing endeavor at GE Appliances.
Therefore, materials, appearance and specifications are subject to
change without notice.



GE APPLIANCES