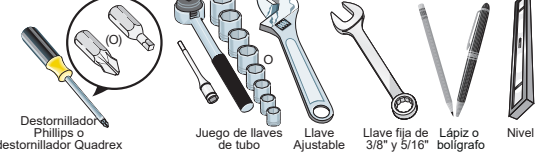


WARNING

To avoid electric shock, which can cause death or severe personal injury, do not connect your appliance to an electrical power source until you have completed Step 3 of these instructions.

Herramientas necesarias:



NOTE

These installation instructions are provided only as a possible customer option. We recommend you use a service or kitchen contracting professional to install your appliance.

1 Site Installation

Your unit is designed to be free standing as part of a kitchen. Be sure to coordinate site preparation and installation with your kitchen contractor. Include these minimum guidelines in your site preparation:

- For side-by-side paired units, make sure there are 2 separate dedicated grounding-type duplex wall outlets for the freezer and the refrigerator.
- Do not use an extension cord or an adapter plug.
- The floor should be level and able to support a fully loaded appliance.
- Avoid direct sunlight and close proximity to a range, dishwasher or other heat source.
- The ice maker and water dispenser require water supply access (some models).
- For complete access to drawers, fully open the doors. Allow the following clearances for ease of installation, proper air circulation, and plumbing and electrical connections: **Sides: 3/16" / Top & Rear: 1"**

NOTE

Information about cabinetry construction for your new appliance is available for contractors. Please refer to your Use & Care Manual for more information.

CAUTION

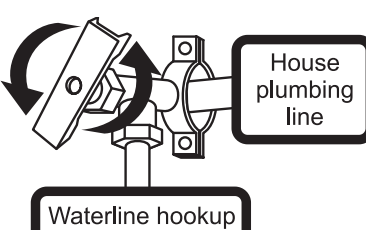
Refrigerator: Room temperatures below 55°F (13°C) or above 110°F (43°C) will impair cooling ability of the compressor.

Freezer: Room temperatures below 0°F (-18°C) or above 110°F (43°C) will impair cooling ability of the compressor.

2 Water Supply Connection (some models)

What you will need:

- Access to a cold water line with pressure between 30 and 100 psi.
- A water supply line made of braided stainless steel tubing or polyline. To determine the length needed, measure the distance from the water valve inlet at the back of the refrigerator to your cold water pipe. Then add approximately 6' (1.8 m), so the refrigerator can be moved out for cleaning.
- A shutoff valve to connect the water supply line to your household water system. **DO NOT** use a self-piercing type shutoff valve.
- Before using the water dispenser (some models) for the first time or after changing the water filter you must prime your water dispenser system. Using a drinking glass dispense water for 4 minutes to flush the water system.
- The water dispenser inside the cabinet allows the water nozzle (A) to be recessed against cabinet when not in use and to be extended outward when in use. To use the water dispenser, push the water nozzle (A) so it is fully extended. Place a drinking cup against the paddle (B) and press to dispense water. When finished press water nozzle (A) to recess back into cabinet (if desired).
- The unit will not produce ice during the first 24 hours of operation.
- Enable **Water Dispenser** on the appliance control display, and fully extend the water nozzle.
- For additional information see **WATER SUPPLY CONNECTION** in the Use & Care Manual.



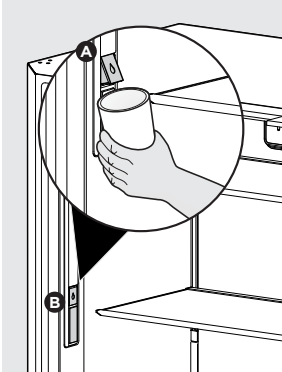
CAUTION

To avoid property damage:

- Use a water supply line made of braided stainless steel tubing or polyline.
- Ensure water supply complies with local plumbing codes.

NOTE

Check with your local building authority for recommendations on water lines and associated materials prior to installing your new appliance. Depending on your local/state building codes, we recommend, for homes with existing valves, Smart Choice® water line kit 5305513409 (with a 6' Stainless Steel Water Line), and for homes without an existing valve, we recommend Smart Choice® water line kit 5305510264 (with a 20' copper water line with self-tapping saddle valve). Please refer to your Use & Care Manual for more information.



CAUTION

While we do not recommend copper water lines, if you choose to use copper, **DO NOT** reuse compression fitting or use thread seal tape. Use a new compression nut and ferrule (sleeve) for connecting a copper supply line to the inlet water valve.

3 Transporting and Permanent Position Placement

If possible, use a hand truck to position the appliance directly in front of the cabinet enclosure. Ensure sufficient clearances when moving the appliance through doorways and openings to prevent damage to your appliance.

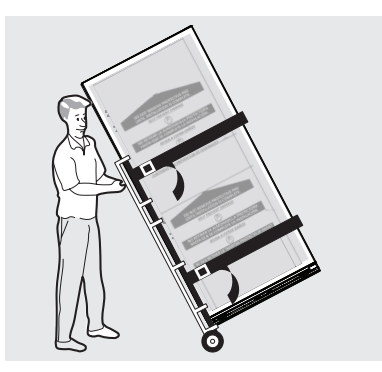
After removing the external packaging from your appliance, you may still need to use a hand truck to move it through close spaces or entrances. **CAUTION: Only remove the door protective door pad and film once the appliance is in its final position.** If the unit is larger than the entrance door, remove the entrance door.

When using a hand truck:

- Load the appliance from the side of cabinet only, with the handle side of the appliance closest to the hand truck to prevent the door opening.
- Do not run retaining straps over the handles.
- Do not over-tighten the retaining straps.
- Never use the appliance handles to move the appliance.
- Remove tape from the doors only after the unit is in place.

Be careful to not move the unit beyond its water supply (copper tubing) connections.

Plug in the power cord, and push the appliance straight back into place.



CAUTION

- Do not allow the hand truck retention strap to make contact with the unit to prevent damage.
- The appliance is heavy. We recommend 2 people for moving the appliance.
- Shifting the appliance from side to side may damage flooring.
- Do not block the lower front of your appliance. Sufficient air circulation is essential to operate your appliance properly.

IMPORTANT

Do not remove the protective door pad until you complete the installation.

4 Refrigerator Leveling and Door Adjustment (if necessary)

Guidelines for final positioning of your appliances:

- Rest all bottom feet firmly on a solid floor.
- The cabinet should be level at the front, rear, and sides. It is **VERY IMPORTANT** for your unit to be level in order to function properly. If the appliance is not leveled during installation, the door may be misaligned and not close or seal properly, causing cooling, frost or moisture problems. You must level the unit for the ice maker to function properly.
- Level the appliance near the final location, and then adjust as necessary until the appliance is leveled.

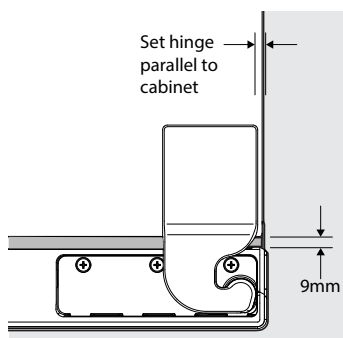
CAUTION

This unit does not have rollers. Use an appliance slider or protective floor covering while moving the unit into place. Do not slide the unit with leveling legs fully extended.

CAUTION

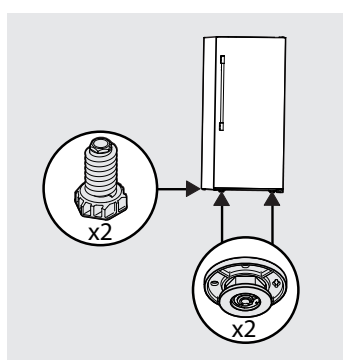
The cabinet is heavy. We recommend two people to level the cabinet.

If transporting your unit requires door removal, you must have a consistent 9 mm door gap around the perimeter of the cabinet to ensure proper gasket sealing to prevent frost in freezer. Measure the 9 mm gap from the metal of the cabinet to the metal on the door.



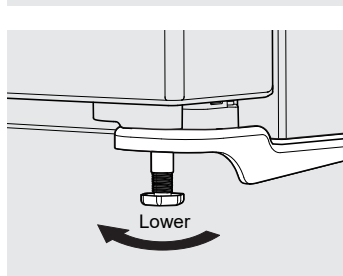
To level the appliance:

Insert the appliance slider under the unit. Place the unit into its location. Use a level to make sure the unit is level from front to back and side to side. First adjust the front leveling legs, and then the rear if necessary. If you cannot access the rear leveling legs, slide the unit back out and adjust it. Slide the unit back into place and recheck with the level. Repeat if necessary.



Setting the anti-tip bracket:

Units are equipped with an anti-tip bracket. The anti-tip bracket is located on the lower front corner of the cabinet, on the lower hinge bracket. After fully leveling the unit, lower the anti-tip foot by turning it clockwise until it securely contacts the floor. Do not raise the cabinet.



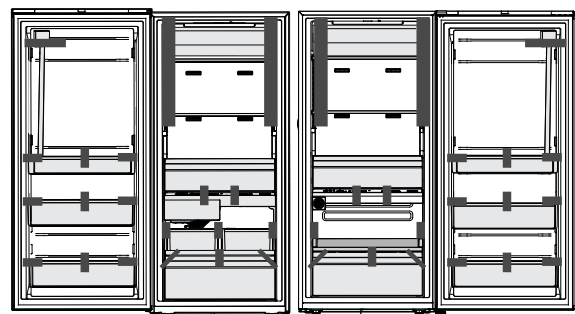
WARNING

You must install the anti-tip device according to the instructions in your Use & Care Manual. Failure to do so may result in injury.

5 Internal Shipping Materials Removal

Location of these materials may vary depending on your model.

We use packing foam, corrugate, clips, and tape to secure the internal parts of your appliance for shipping. Once you place the appliance in position, you can remove this material. We recommend you remove ALL packaging tape from the appliance.

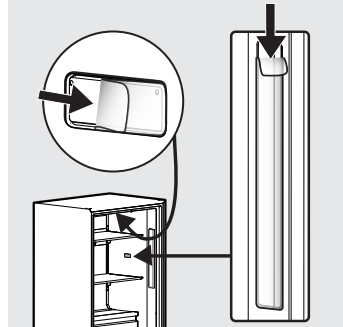


6 Protective Interior Film Removal

IMPORTANT

Be sure to remove the protective film on all LED light covers. Leaving them in place may cause frost to form on the protective lens covers and the surrounding area.

Carefully remove the protective film from the side walls of the cabinet liner (some models). To remove begin at one corner and pull the film away from the liner. Do not use sharp objects to remove the protective film to prevent damaging the liner.

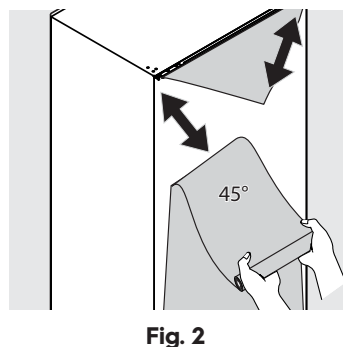
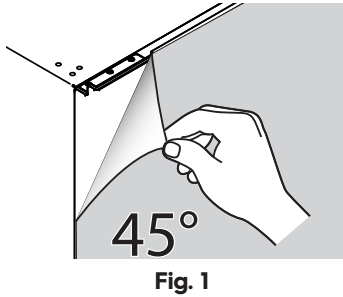


7 Protective Door Film Removal

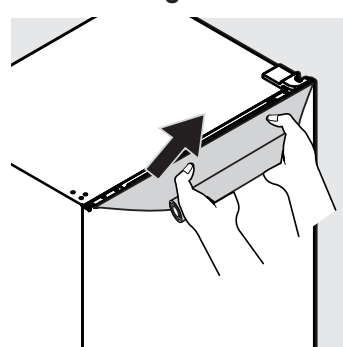
NOTE

You should not remove the door pad and protective films until you completely install the appliance.

1. Peel the protective film from the upper RH and LH corners downward at a 45° angle (Fig. 1). Continue tearing diagonally across the door in a downward motion until you remove the protective film in a "V" pattern on the door (Fig. 2).



2. Gather any loose excess film, rolling it up. Then pull the film upward (Fig. 3). Continue pulling the film until it is approximately 2" from the upper door edge. Using a slow and steady motion while maintaining a 45° angle with the upper edge, pull the remaining film, starting from either the left or right side upward against the plastic door end cap.



3. Pull the lower section of the protective film downward at a 45° angle, gathering any loose excess film, rolling it up. Continue pulling the film until it is approximately 2" from the lower door edge. **Note:** It may be helpful to place second hand on the film in close proximity to the door panel to ease the film removal process (Figure 4).
4. While holding the loose film in one hand, use your second hand to push the remaining film downward against the lower door edge using a slow and steady motion while maintaining a 45° angle with lower door edge. Continue to use the second hand to push/pull on remaining film in a slow and steady downward motion until you fully remove the film.

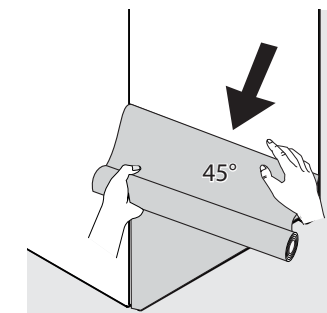


Fig. 4

WARNING

Do not use a knife to remove remaining pieces of film.

8 Suggestions

You may experience operation problems if you do not complete any of the installation tasks. Here is a list of things to check for:

- Is the power cord plugged in?
- Is the appliance connected to the household water supply?
- Is the household water supply valve turned on?
- If you had to remove the appliance doors, are the door gaskets sealing properly around the entire perimeter of the cabinet?
- Is **Ice Maker** illuminated on the appliance control display (some models)?
- Is **Water Dispenser** illuminated on the appliance control display (some models)?
- Is the unit properly leveled to ensure the ice maker functions properly?
- For a paired set, check to make sure the doors do not interfere with opening and closing.

Other possibilities to check:

- Is the power to the receptacle turned on?
- Is the water filter in the fresh food compartment fully seated (some models; see the Use & Care Manual for details)?

If you still have operation problems after checking these suggestions, please see the **TROUBLESHOOTING** section in your Use & Care Manual.

Congratulations. You are ready to begin enjoying your new appliance(s).

- To become aware of **IMPORTANT SAFETY INFORMATION** and learn how to operate your appliance(s), please read the entire Use & Care Manual.
- Start with the **NORMAL OPERATING SOUNDS** section of the Manual to learn more about what to expect during typical operation.
- Please register your product online, or you can simply send in the Registration Card.

9 Door Handle Installation

NOTE

Install the door handle only once you have fully installed the unit since you will need to remove the door protective pad and the protective film before this step.

CAUTION

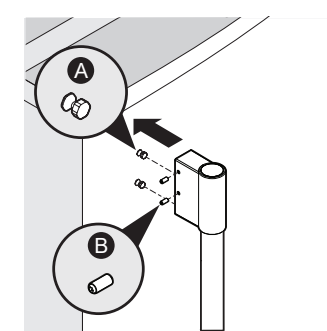
Wear gloves and use extreme CAUTION when installing these handles. The rounded end of the handles may be sharp.

NOTE

Tighten and sub-flush all set screws (seat the Allen set screw just below the surface of the end cap) of handle end cap. Draw the end caps tight to the door with no gaps.

Door Handle Mounting Instructions

1. Remove the handle and any protective packaging from inside the appliance.
2. Position the handle end caps over the upper and lower pre-installed shoulder bolts (A) fastened into the door, ensuring the holes for the set screws are facing away from the hinge.
3. While holding the handle firmly against the door, fasten the upper and lower Allen set screws (B) with the supplied Allen wrench.



10 Installation Checkoff List

Doors

- Handles are secure and tight
- Door seals completely to the cabinet on all sides
- Door is level from side to side across the top

Ice Maker/Water Supply

- House water supply is connected to the appliance
- No water leaks present at all connections - recheck in 24 hours
- Ice maker is turned ON or water dispenser is turned ON (varies by model)

Leveling

- Appliance is level, side to side and front to back
- Cabinet is set solid on all 4 leveling feet
- Anti-tip bracket is set in front of the unit

Final Checks

- Shipping material removed
- Appliance temperatures are set to recommended settings
- Registration card sent in
- Provided accessories and consumables are installed (vary by model)

Electrical Power

- House power is turned on
- Appliance is plugged in

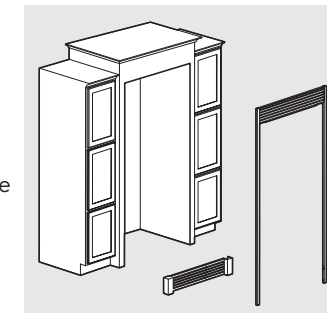
11 Accessory Kits

Included Accessories (vary by model):

- Handle Installation Kit
- Upper and Lower Hinge Covers
- Air Filter
- Ice Scoop
- Produce Keeper
- Water Filter (installed)

Your freezer includes a filtered ice kit. The filtered ice kit provides a way for the freezer to receive "filtered" water from the refrigerator when they are paired together. If you install the freezer as a stand-alone appliance, then store the filtered ice kit with product literature for safe keeping.

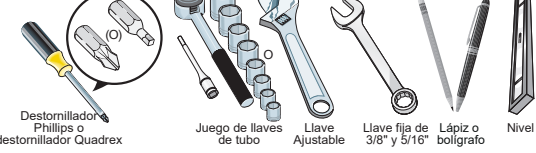
Trim kits are optional kits designed to provide a built-in look for the refrigerator and freezer. Trim kits come in multiple sizes and finishes. Go online to see recommended cabinet sizes.



ADVERTENCIA

Para evitar descargas eléctricas, que pueden causar la muerte o lesiones graves, no conecte su electrodoméstico al suministro eléctrico hasta haber completado el Paso 3 de estas instrucciones.

Herramientas necesarias:



NOTA

Estas instrucciones de instalación se ofrecen solo como una opción adicional para el consumidor. Recomendamos recurrir a un técnico profesional de servicio o de instalación de cocinas para instalar su electrodoméstico.

1 Instalación del sitio

Su unidad está diseñada para ser independiente como parte de una cocina. Asegúrese de coordinar la preparación e instalación del lugar de instalación con su contratista. Incluya estas pautas mínimas para la preparación del lugar de instalación:

- Para las unidades de dos puertas verticales, asegúrese de que haya 2 tomacorrientes de pared dúplex independientes con conexión a tierra para el congelador y el refrigerador.
- No utilice un cable de extensión ni un adaptador.
- El piso debe estar nivelado y poder soportar la carga de un electrodoméstico lleno.
- Evite la luz solar directa y la proximidad a una estufa, lavavajillas o cualquier otra fuente de calor.
- La máquina de hielo y el dispensador de agua requieren suministro de agua (algunos modelos).
- Para tener acceso completo a las gavetas, abra completamente las puertas.

Deje los siguientes espacios libres para facilitar la instalación, la circulación adecuada del aire y las conexiones eléctricas y de plomería: **Laterales:** 3/16" / **Parte superior y trasera:** 1"

NOTA

La información sobre la construcción de compartimentos para su nuevo electrodoméstico está disponible para los contratistas. Consulte el Manual de uso y mantenimiento para obtener más información.

PRECAUCIÓN

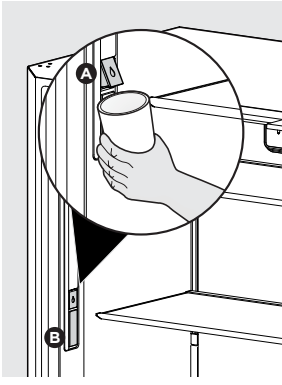
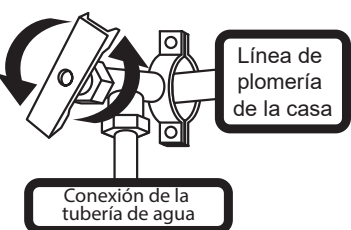
Refrigerador: Las temperaturas ambiente inferiores a 55 °F (13 °C) o superiores a 110 °F (43 °C) impedirán la capacidad de enfriamiento del compresor.

Congelador: Las temperaturas ambiente inferiores a 0 °F (-18 °C) o superiores a 110 °F (43 °C) impedirán la capacidad de enfriamiento del compresor.

2 Conexión de suministro de agua (algunos modelos)

Qué necesitará:

- Acceso a una tubería de agua fría con presión entre 30 y 100 psi.
- Una línea de suministro de agua hecha de tubería de cobre o de acero inoxidable trenzado o polilínea. Para determinar la longitud necesaria, mida la distancia desde la entrada de la válvula de agua en la parte trasera del refrigerador hasta la tubería de agua fría. Luego, agregue alrededor de 6" (1.8 m) para poder mover el refrigerador y limpiarlo.
- Una válvula de cierre para conectar la tubería de suministro de agua al sistema de tuberías de su vivienda. **NO** use una válvula de cierre autopercutor.
- Antes de usar el dispensador de agua (algunos modelos) por primera vez o después de cambiar el filtro de agua, debe cebar el sistema de dispensador de agua. Dispense un vaso de agua potable durante 4 minutos para enjuagar el sistema de agua.
- El dispensador de agua dentro del compartimento permite que la boquilla de agua (A) quede empotrada contra el compartimento cuando no está en uso y se extienda hacia afuera cuando esté en uso. Para usar el dispensador de agua, empuje la boquilla de agua (A) de modo que quede completamente extendida. Coloque un vaso contra la paleta (B) y presione para dispensar agua. Cuando haya terminado, presione la boquilla de agua (A) para que vuelva al compartimento (si lo desea).
- La unidad no producirá hielo durante las primeras 24 horas de funcionamiento.
- Active el **Water Dispenser** (dispensador de agua) en la pantalla de control del electrodoméstico y extienda completamente la boquilla de agua.
- Para obtener más información, consulte **CONEXIÓN DEL SUMINISTRO DE AGUA** en el Manual de uso y cuidado.



PRECAUCIÓN

Para evitar daños materiales:

- Use una línea de suministro de agua hecha de tubería de cobre o de acero inoxidable trenzado o polilínea.
- Asegúrese de que el suministro de agua cumpla con los códigos de plomería locales.

NOTA

Consulte las normas de urbanismo locales sobre líneas de agua y materiales relacionados antes de instalar su nuevo electrodoméstico. Según los códigos de construcción locales/ estatales, recomendamos, para los hogares con válvulas existentes, el kit de tubería de agua Smart Choice® 5305513409 (con una tubería de agua de acero inoxidable de 6 pies [1,8 metros]) y, para casas sin una válvula existente, recomendamos el kit de tubería de agua Smart Choice® 5305510264 (con una tubería de agua de cobre de 20 pies [6 metros] con válvula de asiento autoroscante). Consulte el Manual de uso y mantenimiento para obtener más información.

PRECAUCIÓN

While we do not recommend copper water lines, if you choose to use copper, **DO NOT** reuse compression fitting or use thread seal tape. Use a new compression nut and ferrule (sleeve) for connecting a copper supply line to the inlet water valve.

3 Colocación en posición permanente y transporte

Si es posible, utilice una carretilla de mano para colocar el electrodoméstico directamente frente al compartimento.

Asegúrese de que haya espacio libre suficiente cuando mueva el electrodoméstico a través de las puertas y aberturas para evitar daños a su electrodoméstico.

Después de retirar el embalaje externo del electrodoméstico, es posible que aún deba usar un carro de mano para moverlo a través de espacios cerrados o entradas. **PRECAUCIÓN:** Retire la almohadilla protectora de la puerta y la película solo una vez que el electrodoméstico esté en su posición final. Si la unidad es más grande que la puerta de entrada, retire la puerta de entrada.

Cuando utilice una carretilla de mano:

- Cargue el electrodoméstico únicamente desde el lateral del compartimento, con el lado de la manija del electrodoméstico más cercano a la carretilla para evitar que la puerta se abra.
- No pase las correas de retención sobre las manijas.
- No apriete demasiado las correas de retención.
- Nunca use las manijas del electrodoméstico para moverlo.
- Retire la cinta de las puertas solo después de que la unidad esté en su lugar.

Tenga cuidado de no mover la unidad más allá de sus conexiones de suministro de agua (tuberías de cobre).

Conecte el cable de alimentación y vuelva a colocar el electrodoméstico en su lugar.

IMPORTANTE

Si está instalando su electrodoméstico sin conectarlo a un suministro de agua, asegúrese de desconectar el dispensador de hielo/agua (algunos modelos) en la pantalla de control del electrodoméstico (consulte el Manual de uso y cuidado para obtener más detalles).

PRECAUCIÓN

- No permita que la correa de retención de la carretilla de mano haga contacto con la unidad para evitar daños.
- El electrodoméstico es pesado. Recomendamos 2 personas para moverlo.
- Si se mueve el electrodoméstico de un lado a otro, puede dañar el revestimiento del piso.
- No bloquee el frente inferior del electrodoméstico. La circulación de aire suficiente es esencial para que el electrodoméstico funcione correctamente.

IMPORTANTE

No retire la almohadilla protectora de la puerta hasta completar la instalación.

4 Nivelación del refrigerador y ajuste de la puerta (si es necesario)

Pautas para el posicionamiento final de los electrodomésticos:

- Apoye todos los pies inferiores firmemente sobre un piso sólido.
- El compartimento debe estar nivelado por delante, por detrás y por los lados. Es **MUY IMPORTANTE** que la unidad esté nivelada para que funcione correctamente. Si el electrodoméstico no está nivelado durante la instalación, es posible que la puerta esté mal alineada y no se cierre o selle correctamente, lo que provocará problemas de enfriamiento, congelamiento o humedad. Debe nivelar la unidad para que la máquina de hielo funcione correctamente.
- Nivele el electrodoméstico cerca de la ubicación final y luego ajuste según sea necesario hasta que el electrodoméstico esté nivelado.

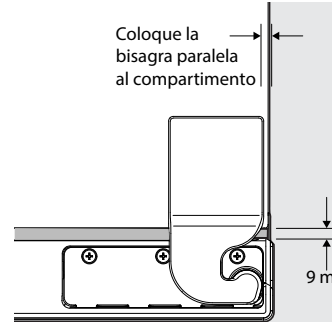
PRECAUCIÓN

Esta unidad no tiene rodillos. Use un dispositivo deslizante de electrodoméstico o una cubierta protectora para pisos mientras mueve la unidad a su lugar. No deslice la unidad con las patas niveladoras completamente extendidas.

PRECAUCIÓN

El compartimento es pesado. Recomendamos que dos personas nivelen el compartimento.

Si el transporte de la unidad requiere la remoción de la puerta, debe tener un espacio de puerta de 9 mm uniforme alrededor del perímetro del compartimento para garantizar el sellado correcto de la junta y evitar la escarcha en el congelador. Mida el espacio de 9 mm entre el metal del compartimento y el metal de la puerta.

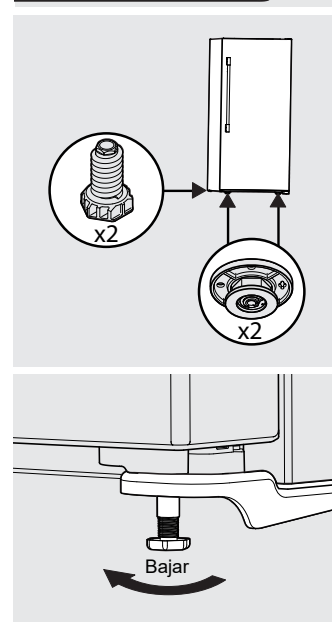


Para nivelar el electrodoméstico:

Inserte el dispositivo deslizante de electrodoméstico debajo de la unidad. Coloque la unidad en su ubicación. Use un nivel para asegurarse de que la unidad esté nivelada de adelante hacia atrás y de lado a lado. Primero ajuste las patas niveladoras delanteras y luego las traseras si es necesario. Si no puede acceder a las patas niveladoras traseras, vuelva a deslizar la unidad hacia afuera y ajústelas. Vuelva a colocar la unidad en su lugar y vuelva a verificar con el nivel. Repita si es necesario.

Ajuste del soporte antivuelco:

Las unidades están equipadas con un soporte antivuelco. El soporte antivuelco se encuentra en la esquina delantera inferior del gabinete, en el soporte de la bisagra inferior. Después de nivelar completamente la unidad, baje el pie antivuelco girándolo en sentido horario hasta que haga contacto firme con el piso. No levante el compartimento.



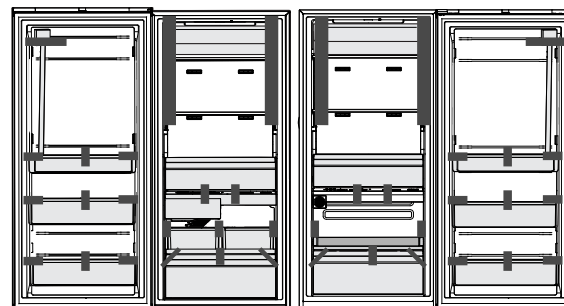
ADVERTENCIA

Debe instalar el dispositivo antivuelco de acuerdo con las instrucciones del Manual de uso y cuidado. Si no lo hace, se pueden provocar lesiones.

5 Eliminación de los materiales de embarque internos

La ubicación de estos materiales puede variar según su modelo.

Utilizamos espuma de embalaje, corrugado, clips y cinta para asegurar las piezas internas de su electrodoméstico para el embarque. Una vez que coloque el electrodoméstico en posición, puede retirar este material. Recomendamos que retire TODA la cinta de embalaje del electrodoméstico.

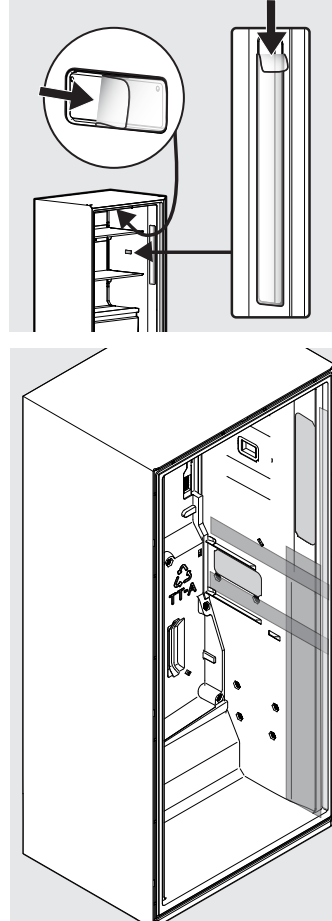


6 Eliminación de la película interior protectora

IMPORTANTE

Asegúrese de retirar la película protectora de todas las cubiertas de luz LED. Si no se retira, es posible que se forme escarcha en las cubiertas protectoras de las lentes y en el área circundante.

Retire con cuidado la película protectora de las paredes laterales del revestimiento del compartimento (algunos modelos). Para retirarla, comience en una esquina y tome la película del revestimiento. Para evitar dañar el revestimiento, no utilice objetos afilados para quitar la película protectora.

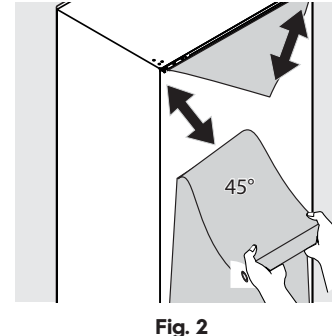
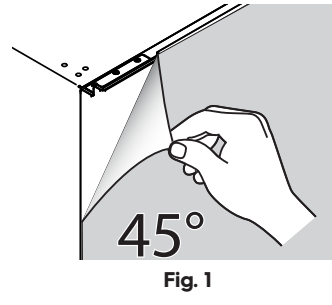


7 Eliminación de la película protectora de la puerta

NOTA

No debe quitar la almohadilla de la puerta y las películas protectoras hasta que instale completamente el electrodoméstico.

1. Despegue la película protectora de las esquinas superior derecha e izquierda hacia abajo en un ángulo de 45° (Fig. 1). Continúe desgarrando diagonalmente a través de la puerta con un movimiento hacia abajo hasta quitar la película protectora en un patrón en "V" en la puerta (Fig. 2).



2. Reúna el exceso de película suelta y enróllala. Luego tire de la película hacia arriba (Fig. 3). Continúe tirando de la película hasta que esté aproximadamente a 2" del borde superior de la puerta. Con un movimiento lento y constante mientras mantiene un ángulo de 45° con el borde superior, tire del resto de la película, comenzando desde el lado izquierdo o derecho hacia arriba contra la tapa de plástico del extremo de la puerta.

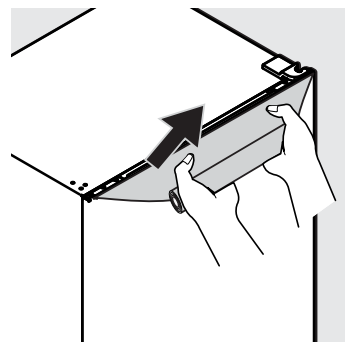


Fig. 3

3. Tire de la sección inferior de la película protectora hacia abajo en un ángulo de 45°, agrupando el exceso de película y enróllandola. Continúe tirando de la película hasta que esté aproximadamente a 2" del borde inferior de la puerta. **Nota:** Puede ser útil colocar la segunda mano sobre la película cerca del panel de la puerta para facilitar el proceso de remoción de la película (Figura 4).

4. Mientras sostiene la película suelta en una mano, use su otra mano para empujar la película restante hacia abajo contra el borde inferior de la puerta con un movimiento lento y constante mientras mantiene un ángulo de 45° con el borde inferior de la puerta. Continúe usando la otra mano para empujar/tirar de la película restante con un movimiento lento y constante hacia abajo hasta que retire completamente la película.

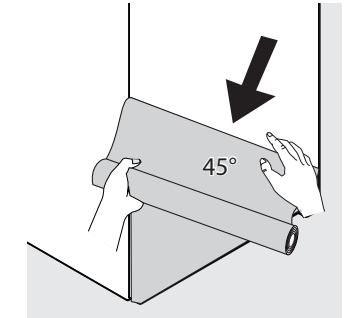


Fig. 4

ADVERTENCIA

No use un cuchillo para retirar los restos de película.

8 Sugerencias

Puede experimentar problemas de operación si no completa ninguna de las tareas de instalación. Esta es una lista de cosas que debe verificar:

- ¿El cable de alimentación está enchufado?
- ¿El electrodoméstico está conectado al suministro de agua del hogar?
- ¿La válvula de suministro de agua del hogar está abierta?
- Si tuviera que retirar las puertas del electrodoméstico, ¿las juntas de la puerta se sellan correctamente alrededor de todo el perímetro del compartimento?
- ¿La **Ice Maker** (máquina de hielo) está iluminada en la pantalla de control del electrodoméstico (algunos modelos)?
- ¿El **Water Dispenser** (dispensador de agua) está iluminado en la pantalla de control del electrodoméstico (algunos modelos)?
- ¿La unidad está correctamente nivelada para garantizar que la máquina de hielo funcione correctamente?
- Para un juego emparejado, verifique que las puertas no interfieran con la apertura y el cierre.

Otras posibilidades para verificar:

- ¿La alimentación del receptáculo está encendida?
- ¿Está el filtro de agua en el compartimento de alimentos frescos completamente asentado (algunos modelos; consulte el Manual de uso y cuidado para obtener más detalles)?

Si sigue teniendo problemas de operación después de verificar estas sugerencias, consulte la sección **SOLUCIÓN DE PROBLEMAS** en su Manual de uso y cuidado.

¡Felicitaciones! Está listo para comenzar a disfrutar de su nuevo electrodoméstico.

- Para conocer la **INFORMACIÓN DE SEGURIDAD IMPORTANTE** y aprender a operar sus electrodomésticos, lea todo el Manual de uso y cuidado.
- Puede empezar por la sección **SONIDOS NORMALES DE FUNCIONAMIENTO** del Manual para obtener más información sobre el funcionamiento normal del electrodoméstico.
- Registre su producto en línea o simplemente envíe la tarjeta de registro.

9 Instalación de la manija de la puerta

NOTA

Instale la manija de la puerta solo una vez que haya instalado completamente la unidad, ya que deberá retirar la almohadilla protectora de la puerta y la película protectora antes de este paso.

PRECAUCIÓN

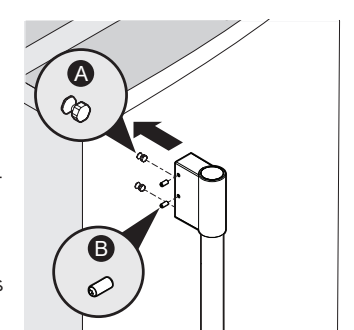
Use guantes y tenga una **PRECAUCIÓN** extrema al instalar estas manijas. El extremo redondeado de las manijas puede ser filoso.

NOTA

Ajuste y nivele todos los tornillos de fijación (asiente el tornillo de fijación Allen justo debajo de la superficie de la tapa de extremo) de la tapa de extremo de la manija. Ajuste las tapas de los extremos a la puerta sin espacios.

Instrucciones de montaje de la manija de la puerta

1. Retire el mango y cualquier embalaje protector del interior del electrodoméstico.
2. Coloque las tapas de los extremos de la manija sobre los pernos de reborde superiores e inferiores instalados previamente (A) que están ajustados a la puerta, asegurándose de que los orificios para los tornillos de fijación estén orientados hacia la bisagra.
3. Mientras sostiene la manija firmemente contra la puerta, ajuste los tornillos de fijación Allen superiores e inferiores (B) con la llave Allen suministrada.



10 Lista de verificación de la instalación

| Puertas | Dispensador de hielo/suministro de agua |
|---|---|
| <input type="checkbox"/> Las manijas están seguras y firmes | <input type="checkbox"/> El suministro de agua de la casa está conectado al electrodoméstico |
| <input type="checkbox"/> La puerta se sella completamente al compartimento en todos los lados | <input type="checkbox"/> No hay fugas en ninguna de las conexiones (vuelva a verificar en 24 horas) |
| <input type="checkbox"/> La puerta está nivelada de lado a lado a través de la parte superior | <input type="checkbox"/> La máquina de hielo está ENCENDIDA o el dispensador de agua está ENCENDIDO (varía según el modelo) |
| Nivelación | Inspecciones finales |
| <input type="checkbox"/> El electrodoméstico está nivelado, de lado a lado y de adelante hacia atrás. | <input type="checkbox"/> Material de envío retirado |
| <input type="checkbox"/> El compartimento está fijo en los 4 pies de nivelación | <input type="checkbox"/> Temperaturas de los electrodomésticos configuradas según los ajustes recomendados |
| <input type="checkbox"/> El soporte antivuelco está colocado frente a la unidad | <input type="checkbox"/> Tarjeta de registro enviada |
| Suministro eléctrico | <input type="checkbox"/> Accesorios e insumos proporcionados instalados (varían según el modelo) |
| <input type="checkbox"/> El suministro eléctrico del hogar está activado | |
| <input type="checkbox"/> El electrodoméstico está enchufado | |

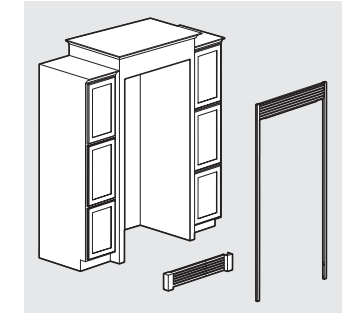
11 Kits de accesorios

Accesorios incluidos (varían según el modelo):

- Kit de instalación de manija
- Cubiertas de bisagra superior e inferior
- Filtros de aire
- Cuchara para hielo
- Recipiente para frutas y verduras
- Filtro de agua (instalado)

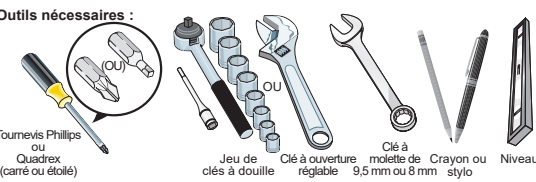
El congelador incluye un kit de hielo filtrado. El kit de hielo filtrado proporciona una manera para que el congelador reciba agua "filtrada" del refrigerador cuando se emparejan. Si instala el congelador como un electrodoméstico independiente, guarde el kit de hielo filtrado con la documentación del producto.

Los kits de molduras son kits opcionales diseñados para proporcionar un aspecto integrado para el refrigerador y el congelador. Los juegos de molduras vienen en varios tamaños y acabados. Visite el sitio web para ver los tamaños de compartimentos recomendados.



AVERTISSEMENT

Pour éviter des chocs électriques susceptibles de causer la mort ou de graves blessures, ne branchez pas votre appareil à une source d'alimentation électrique avant d'avoir terminé l'étape 3 de ces instructions.



REMARQUE

Ces instructions d'installation ne sont fournies qu'à titre d'option possible pour le client. Nous vous recommandons de faire appel à un technicien cuisiniste qualifié pour l'installation de votre appareil.

1 Installation sur le site

Votre appareil est conçu pour être autonome dans une cuisine. Assurez-vous de coordonner la préparation du local et l'installation de votre appareil avec l'aide de votre cuisiniste. Suivez ces directives minimales pour la préparation de votre local :

- Pour les unités jumelées côte à côte, assurez-vous qu'il y a deux prises murales doubles de type mise à la terre pour le congélateur et le réfrigérateur.
- N'utilisez pas de rallonge, ni d'adaptateur.
- Le sol doit être parfaitement plat et doit pouvoir supporter un appareil rempli à pleine capacité.
- Évitez d'exposer le réfrigérateur aux rayons directs du soleil et ne l'installez pas près d'une cuisinière, d'un lave-vaisselle, ni de toute autre source de chaleur.
- La machine à glaçons et le distributeur d'eau nécessitent un accès à l'alimentation en eau (certains modèles).
- Pour un accès complet aux tiroirs, ouvrez complètement les portes.

Prévoir les dégagements suivants pour faciliter l'installation, assurer une circulation d'air appropriée et raccorder la plomberie et les branchements électriques : **Côtés** : 4,8 mm (3/16 po) / **Haut et arrière** : 25,4 mm (1 po)

REMARQUE

Des renseignements sur la construction des armoires de votre nouvel appareil sont disponibles pour les entrepreneurs. Veuillez consulter le Guide d'utilisation et d'entretien pour obtenir plus de renseignements.

MISE EN GARDE

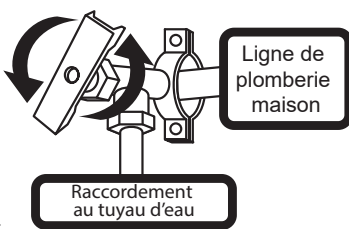
Réfrigérateur : Des températures ambiantes inférieures à 13 °C (55 °F) ou supérieures à 43 °C (110 °F) vont compromettre la capacité de refroidissement du compresseur.

Congélateur : Des températures ambiantes inférieures à -18 °C (0 °F) ou supérieures à 43 °C (110 °F) compromettent la capacité de refroidissement du compresseur.

2 Raccordement de l'alimentation en eau (certains modèles)

Vous avez besoin :

- Un accès à une canalisation d'eau froide présentant une pression située entre 2,068 et 6,895 bars (30 et 100 lb/po²).
- Un tuyau ou une polygaine d'alimentation en eau en cuivre ou tressé en acier inoxydable. Pour déterminer la longueur requise, mesurez la distance entre la vanne d'admission d'eau située à l'arrière du réfrigérateur et votre conduite d'eau froide. Puis, ajoutez environ 1,8 m (6 pi), afin de pouvoir déplacer le réfrigérateur au moment du nettoyage.
- Une vanne d'arrêt pour raccorder le tuyau d'alimentation en eau à votre système de distribution d'eau domestique. **N'UTILISEZ PAS** de soupape d'arrêt de type auto-perceuse.
- Avant d'utiliser le distributeur d'eau (certains modèles) pour la première fois ou après avoir changé le filtre à eau, vous devez amorcer le système de distribution d'eau. Utilisez un verre à boire pour distribuer de l'eau pendant 4 minutes pour rincer le système d'eau.



MISE EN GARDE

Pour éviter les dommages matériels :

- Utilisez un tuyau ou une polygaine d'alimentation en eau en cuivre ou tressé en acier inoxydable.
- Assurez-vous que l'alimentation en eau est conforme aux codes de plomberie locaux.

REMARQUE

Avant d'installer votre nouveau appareil, informez-vous auprès des autorités locales de construction, afin de connaître les recommandations en matière de canalisation d'eau et matériaux associés. Selon les codes du bâtiment locaux/de l'État, nous recommandons, pour les maisons avec des vannes existantes, sa tresse de conduite d'eau Smart Choice® 5305513409 avec une conduite d'eau en acier inoxydable, et pour les maisons sans vanne existante, Frigidaire recommande sa tresse de conduite d'eau Smart Choice® 5305510264 avec conduite d'eau en cuivre de 6 m (20 pi) avec vanne à étrier auto-taraudeuse. Veuillez consulter le Guide d'utilisation et d'entretien pour obtenir plus d'informations.

MISE EN GARDE

Bien que nous ne recommandions pas les conduites d'eau en cuivre, si vous choisissez d'utiliser du cuivre, NE RÉUTILISEZ PAS le raccord à compression ou n'utilisez pas de ruban Utilisez un nouvel écrou à compression et une bague (un raccord) pour raccorder un tuyau en cuivre d'alimentation à la vanne d'entrée d'eau principale.

3 Transport et placement permanent

Si possible, utilisez un chariot manuel pour positionner l'appareil directement devant l'armoire.

Assurez-vous d'avoir suffisamment de dégagement lorsque vous déplacez l'appareil dans les portes et les ouvertures pour éviter d'endommager votre appareil.

Après avoir retiré l'emballage externe de votre appareil, vous devez peut-être toujours utiliser un chariot manuel pour le déplacer dans les espaces restreints ou les entrées. **MISE EN GARDE** : Retirez le tampon de porte protecteur et la pellicule seulement une fois que l'appareil est dans sa position finale. Si l'appareil est plus grand que la porte d'entrée, retirez la porte d'entrée. Lorsque vous utilisez un chariot manuel :

- Chargez l'appareil du côté de l'armoire seulement, avec le côté poignée de l'appareil le plus près du chariot manuel pour empêcher l'ouverture de la porte.
- Ne passez pas les sangles de retenue sur les poignées.
- Ne serrez pas trop les sangles de retenue.
- N'utilisez jamais les poignées de l'appareil pour déplacer l'appareil.
- Retirez le ruban adhésif des portes seulement après avoir mis l'appareil en place.

Veuillez à ne pas déplacer l'appareil au-delà de ses raccords d'alimentation en eau (tuyau de cuivre).

Branchez le cordon d'alimentation et remettez l'appareil en place.

IMPORTANT

Si vous installez votre appareil sans le brancher à une source d'alimentation en eau, assurez-vous d'éteindre la machine à glaçons/distributrice d'eau (certains modèles) sur l'écran de commande de l'appareil (voir le manuel d'utilisation et d'entretien pour plus de détails).

MISE EN GARDE

- Ne laissez pas la sangle de retenue du chariot manuel entrer en contact avec l'appareil pour éviter tout dommage.
- L'appareil est lourd. Nous recommandons deux personnes pour le déplacement de l'appareil.
- Le déplacement latéral peut endommager le revêtement de sol.
- Ne bloquez pas la partie inférieure avant de votre appareil. Une circulation d'air suffisante est essentielle au bon fonctionnement de votre appareil.

IMPORTANT

Ne retirez pas le tampon de protection de la porte avant d'avoir terminé l'installation.

4 Mise à niveau du réfrigérateur et réglage de la porte (si nécessaire)

Directives pour le positionnement final de vos appareils :

- Posez tous les pieds inférieurs fermement sur un plancher solide.
- L'armoire doit être de niveau à l'avant, à l'arrière et sur les côtés. Il est **TROP IMPORTANT** que votre unité soit de niveau, afin de fonctionner correctement. Si l'appareil n'est pas mis à niveau pendant l'installation, la porte peut être mal alignée, et ne pas se fermer ou se fermer correctement, ce qui peut causer des problèmes de refroidissement, de givre ou d'humidité. Vous devez mettre l'appareil de la machine à glaçons à niveau, afin qu'elle fonctionne correctement.
- Mettez l'appareil de niveau près de l'emplacement final, puis ajustez-le au besoin jusqu'à ce que l'appareil soit de niveau.

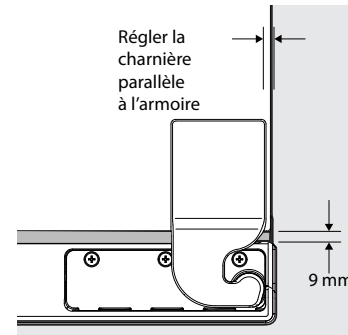
MISE EN GARDE

Cet appareil n'a pas de roulettes. Utilisez un dispositif de glissement ou un revêtement de sol protecteur tout en déplaçant l'appareil en place. Ne faites pas glisser l'appareil avec les pieds de mise à niveau complètement déployés.

MISE EN GARDE

L'unité est lourde. Il est recommandé que deux personnes mettent à niveau l'unité.

Si le transport de votre unité nécessite le retrait de la porte, vous devez avoir un écart de porte uniforme de 9 mm autour du périmètre de l'armoire pour assurer un joint d'étanchéité adéquat afin d'éviter le gel dans le congélateur. Mesurez l'espace de 9 mm entre le métal de l'armoire et le métal de la porte.



Pour mettre l'appareil à niveau :

Insérez le dispositif de glissement sous l'appareil. Placez l'appareil à son emplacement. Utilisez un niveau, afin de vous assurer que l'appareil est de niveau de l'avant vers l'arrière et d'un côté à l'autre. Ajustez d'abord les pieds de mise à niveau avant, puis l'arrière si nécessaire. Si vous ne pouvez pas accéder aux pieds de mise à niveau arrière, faites glisser l'appareil vers l'extérieur et ajustez-le. Faites glisser l'appareil en place et revérifiez avec le niveau. Répétez au besoin.

Réglage du support antibasculement :

Les unités sont équipées d'un support anti-basculement. Le support anti-basculement est situé dans le coin inférieur avant de l'armoire, sur le support de charnière inférieur. Après avoir complètement mis l'appareil à niveau, abaissez le pied anti-basculement en le tournant dans le sens horaire jusqu'à ce qu'il entre en contact avec le sol. Ne soulevez pas l'armoire.

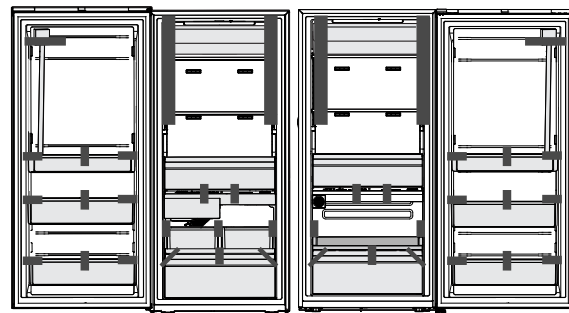
AVERTISSEMENT

Vous devez installer le dispositif anti-basculement conformément aux instructions de votre manuel d'utilisation et d'entretien. Tout manquement à cette directive peut entraîner des blessures.

5 Retrait du matériel d'expédition à l'intérieur

L'emplacement de ces matériaux peut varier selon votre modèle.

Nous utilisons de la mousse d'emballage, du carton ondulé, des pinces et du ruban adhésif pour fixer les pièces internes de votre appareil pour l'expédition. Une fois l'appareil en place, vous pouvez retirer ce matériel. Nous vous recommandons de retirer TOUT le ruban d'emballage de l'appareil.

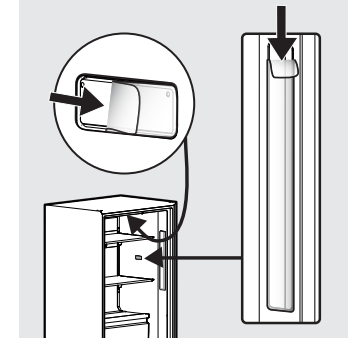


6 Retrait de la pellicule protectrice intérieure

IMPORTANT

Assurez-vous de retirer la pellicule protectrice de tous les couvercles de lumière à DEL. Les laisser en place peut provoquer la formation de givre sur les couvercles de protection des lentilles et la zone environnante.

Retirez soigneusement la pellicule protectrice des parois latérales de la doublure de l'armoire (certains modèles). Pour retirer, commencez à un coin et retirez la pellicule de la doublure. N'utilisez pas d'objets tranchants pour retirer la pellicule protectrice, afin d'éviter d'endommager la doublure.



7 Retrait de la pellicule protectrice de la porte

REMARQUE

Vous ne devez pas retirer le tampon de porte et les pellicules protectrices avant d'avoir installé complètement l'appareil.

1. Décollez la pellicule protectrice des coins supérieurs droit et gauche vers le bas à un angle de 45 degrés (Fig. 1). Continuez à déchirer à travers la porte en diagonale vers le bas jusqu'à ce que vous enleviez la pellicule protectrice en forme de « V » sur la porte (Fig. 2).

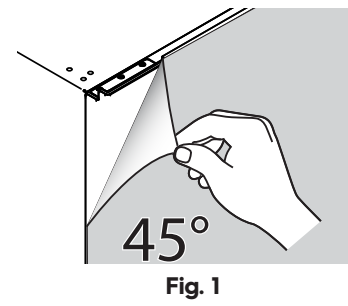


Fig. 1

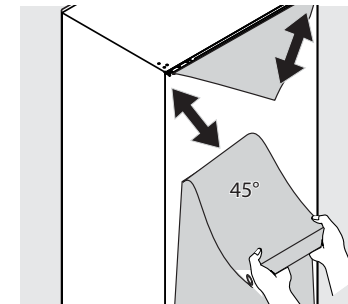


Fig. 2

2. Rassemblez tout excès de pellicule, en la roulant. Tirez ensuite la pellicule vers le haut (Fig. 3). Continuez à tirer la pellicule jusqu'à ce qu'elle soit à environ 2 po du bord supérieur de la porte. En effectuant un mouvement lent et régulier tout en maintenant un angle de 45 degrés avec le bord supérieur, tirez la pellicule restante, en commençant par le côté gauche ou droit vers le haut contre le capuchon d'extrémité de la porte en plastique.

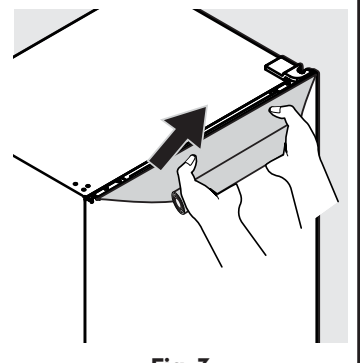


Fig. 3

3. Tirez la partie inférieure de la pellicule protectrice vers le bas à un angle de 45 degrés, en rassemblant tout excès de pellicule, en la roulant. Continuez à tirer la pellicule jusqu'à ce qu'elle soit à environ 2 po du bord inférieur de la porte. **Remarque** : Il peut être utile de placer la deuxième main sur la pellicule à proximité du panneau de porte pour faciliter le processus de retrait de la pellicule (Fig. 4).

4. Tout en tenant la pellicule lâche dans une main, utilisez votre deuxième main pour pousser la pellicule restante vers le bas contre le bord inférieur de la porte en effectuant un mouvement lent et régulier tout en maintenant un angle de 45 degrés avec le bord inférieur de la porte. Continuez à utiliser l'aiguille des secondes pour pousser/tirer sur la pellicule restante dans un mouvement lent et régulier vers le bas jusqu'à ce que vous retirez complètement la pellicule.

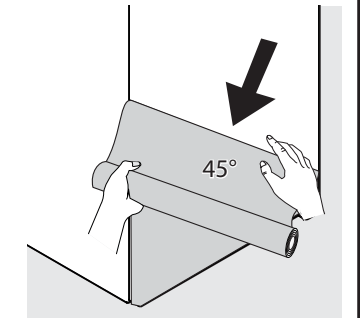


Fig. 4

AVERTISSEMENT

N'utilisez pas de couteau pour retirer les morceaux de pellicule restants.

8 Suggestions

Vous pourriez rencontrer des problèmes de fonctionnement si vous n'effectuez aucune des tâches d'installation. Voici une liste de choses à vérifier :

- Le cordon d'alimentation est-il branché ?
- L'appareil est-il connecté à l'alimentation en eau domestique ?
- Le robinet d'alimentation en eau domestique est-il ouvert ?
- Si vous devez retirer les portes de l'appareil, les joints d'étanchéité des portes sont-ils étanches correctement autour du périmètre de l'armoire ?
- La machine à glaçons est-elle allumée sur l'écran de commande de l'appareil (certains modèles) ?
- Le distributeur d'eau est-il allumé sur l'écran de commande de l'appareil (certains modèles) ?
- L'appareil est-il correctement mis à niveau pour s'assurer que la machine à glaçons fonctionne correctement ?
- Pour un ensemble jumelé, assurez-vous que les portes n'interfèrent pas avec l'ouverture et la fermeture.

Autres possibilités de vérifier :

- L'alimentation de la prise est-elle sous tension ?
- Le filtre à eau dans le compartiment pour aliments frais est-il bien en place (certains modèles, consultez le manuel d'utilisation et d'entretien pour obtenir plus de détails) ?

Si vous avez encore des problèmes de fonctionnement après avoir vérifié ces suggestions, veuillez consulter la section **DÉPANNAGE** de votre manuel d'utilisation et d'entretien.

Félicitations. Vous êtes prêt à commencer à profiter de votre ou vos nouveaux appareils.

- Pour prendre connaissance de **RENSEIGNEMENTS IMPORTANTS SUR LA SÉCURITÉ** et apprendre comment utiliser votre ou vos appareils, veuillez lire le manuel d'utilisation et d'entretien en entier.
- Commencez par la section **BRUITS D'UN FONCTIONNEMENT NORMAL** du guide, afin de savoir ce à quoi vous attendre lors du fonctionnement habituel de l'appareil.
- Veuillez enregistrer votre produit en ligne ou vous pouvez simplement envoyer la carte d'enregistrement.

9 Installation de la poignée de porte

REMARQUE

Installez la poignée de porte seulement une fois que vous aurez complètement installé l'appareil, car vous devrez retirer le tampon de protection de porte et la pellicule protectrice avant cette étape.

MISE EN GARDE

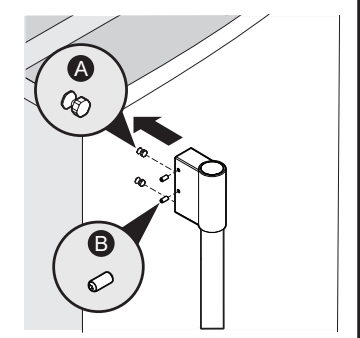
Portez des gants et faites preuve d'une extrême PRUDENCE lors de l'installation de ces poignées. L'extrémité arrondie des poignées peut être tranchante.

REMARQUE

Serrez et sous-alignez toutes les vis de réglage (posez la vis de réglage Allen juste en dessous de la surface du capuchon d'extrémité) du capuchon d'extrémité de la poignée. Serrez les embouts à la porte sans espace.

Instructions de montage de la poignée de la porte

1. Retirez la poignée et tout emballage protecteur de l'intérieur de l'appareil.
2. Positionnez les capuchons d'extrémité de la poignée sur les boulons à épaulement supérieurs et inférieurs préinstallés (A) fixés dans la porte, en vous assurant que les trous pour les vis de réglage sont orientés à l'opposé de la charnière.
3. Tout en tenant fermement la poignée contre la porte, vissez les vis Allen de réglage supérieure et inférieure (B) à l'aide de la clé Allen fournie.



10 Liste de contrôle d'installation

Portes

- Les poignées sont sécurisées et serrées
- La porte adhère fermement à tous les côtés de l'unité
- La porte est de niveau d'un côté à l'autre sur le dessus

Mise à niveau

- L'appareil est au niveau latéralement et de l'avant vers l'arrière
- L'armoire est installée en position solide sur les 4 pieds de mise à niveau
- Le support antibasculement est installé devant l'appareil

Alimentation électrique

- L'alimentation électrique de la résidence est sous tension
- L'appareil est branché

Machine à glaçons/Approvisionnement en eau

- L'alimentation en eau de la maison est connectée à l'appareil
- Aucune fuite d'eau n'est présente aux raccords - revérifier dans 24 heures
- La machine à glaçons est activée ou le distributeur d'eau est activé (varie selon le modèle)

Vérifications finales

- Le matériel d'emballage a été retiré
- La température de l'appareil est réglée aux réglages recommandés
- Carte d'enregistrement envoyée
- Les accessoires et les consommables fournis sont installés (varient selon le modèle)

11 Trousses d'accessoires

Accessoires inclus (varient selon le modèle) :

- Trousse d'installation de la poignée
- Couvercles de charnière supérieur et inférieur
- Filtre à air
- Cuillère à glaçons
- Conservateur de fruits et légumes
- Filtre à eau (installé)

Votre congélateur comprend une trousse de glace filtrée. La trousse de glace filtrée permet au congélateur de recevoir de l'eau « filtrée » du réfrigérateur lorsqu'elles sont jumelées ensemble. Si vous installez le congélateur comme appareil autonome, rangez la trousse de glace filtrée avec la documentation du produit pour une conservation sécuritaire.

Les trousse de garniture sont des trousse en option conçues pour fournir un aspect intégré au réfrigérateur et au congélateur. Les trousse de garniture sont offertes en plusieurs tailles et finis. Allez en ligne pour voir les tailles d'armoires recommandées.

