

- en** Installation Instructions
fr Notice d'installation
es Instrucciones de instalación



BOSCH

Customer Service:
1-800-944-2904

These instructions are intended
for use by qualified installers only

Safety Definitions

WARNING

This indicates that death or serious injuries may occur as a result of non-observance of this warning.

CAUTION

This indicates that minor or moderate injuries may occur as a result of non-observance of this warning.

NOTICE

This indicates that damage to the appliance or property may occur as a result of non-compliance with this advisory.

Note: This alerts you to important information and/or tips.

Table of Contents

Safety Instructions	4
Avoiding General Hazards	5
Tools & Materials	6
Pre-Install Checklist	9
Enclosure Requirements	10
Attach Water Inlet and Drain Hose	12
Electrical Connections	14
Positioning the Dishwasher	17
Installation of Mounting Brackets	18
Water Inlet Connection	21
Drain Connection	23
Attaching the Toe Panel	25
Customer Service	26

Important Safety Instructions: **Please READ and SAVE this information**

To avoid possible injury or property damage, OBSERVE ALL WARNINGS AND CAUTIONS.

WARNING:

These instructions are intended for use by qualified installers only. The dishwasher must be installed by a qualified service technician or installer.

- In addition to these instructions, the dishwasher shall be installed to meet all electrical and plumbing codes and ordinances (both national and local).

Read these installation instructions completely and follow them carefully. They will save you time and effort and help to ensure safety and optimum dishwasher performance.

IMPORTANT

- The dishwasher drain hose must be installed with a portion of it at least 33" (84 cm) off the cabinet floor; otherwise the dishwasher may not drain properly.
- This dishwasher is intended for indoor residential use only, and should not be used in commercial food service establishments.
- This dishwasher is designed to be enclosed on the top and both sides by cabinetry.
- **NEW INSTALLATION** - If the dishwasher is a new installation, ensure all connections are properly made before the dishwasher is moved into place.
- **REPLACEMENT** - If the dishwasher is replacing another dishwasher, check the existing dishwasher connections for compatibility with the new dishwasher, and replace parts as necessary.
- This appliance has been found to be in compliance with CAN/CSA-C22.2 No. 167/UL 749. It is the responsibility of the owner and the installer to determine if additional requirements and standards apply in specific installations.
- Not for outdoor use.

WARNING

Avoiding General Hazards

To reduce the risk of electric shock, fire, or injury to persons, the installer must ensure that the dishwasher is completely enclosed at the time of installation.

Do not use the dishwasher until it is completely installed. When opening the door on an uninstalled dishwasher, carefully open the door while supporting the rear of the unit. Failure to follow this warning can cause the dishwasher to tip over and result in serious injury.

Before installing the supplied counter top mounting brackets, decide which method will be used to secure the dishwasher into its opening. Once these mounting brackets are installed on the dishwasher, removing them is difficult and will damage the mounting brackets and the dishwasher.

In some conditions, hydrogen gas can form in a hot water system that has not been used for weeks. Hydrogen gas is explosive. Before filling a dishwasher from a system that has been off for weeks, run the water from a nearby faucet in a well ventilated area until there is no sound or evidence of gas.

Removing any cover or pulling the dishwasher from the cabinet can expose hot water connections, electrical power and sharp edges or points. Handle with care.

Proposition 65 Warning:

This product may contain a chemical known to the State of California, which can cause cancer or reproductive harm. Therefore, the packaging of your product may bear the following label as required by California:

STATE OF CALIFORNIA PROPOSITION 65 WARNING:

WARNING

Cancer and Reproductive Harm - www.P65Warnings.ca.gov

Inspect the Dishwasher

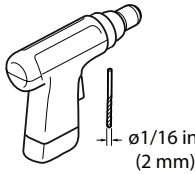
After unpacking the dishwasher and prior to installation, thoroughly inspect the dishwasher for possible freight or cosmetic damage. Report any damage immediately. Cosmetic defects must be reported within 30 days of installation.

NOTE: Do not discard any bags or items that come with the original package until after the entire installation has been completed.

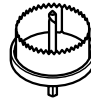
Tools and Materials Needed



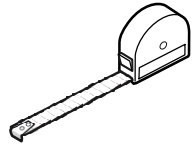
Adjustable Wrench
(x2)



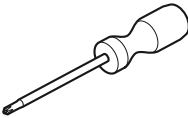
Drill



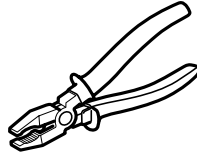
2 1/2" Hole Saw



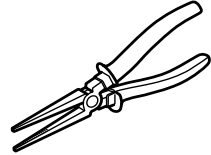
Tape
Measure



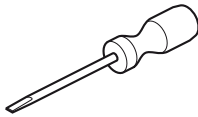
Phillips Screwdriver



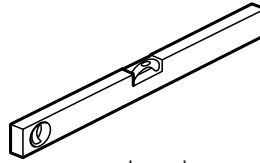
Pliers



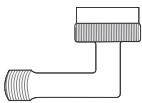
Needle Nose Pliers



Flat Screwdriver



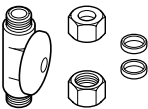
Level



Elbow connection with 3/4" female hose threads on one end and fits your water supply line (copper tubing, compression fitting, or braided hose) on the other.



Hot Water Supply Line - Minimum 3/8" O.D. copper tubing or metal braided dishwasher supply line. Only needed if house water supply line is not sufficient.



Shut-off valve and fittings appropriate for hot water supply line (copper tubing/compression fitting, or braided hose).

Materials supplied (All Models)

A



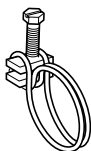
Mounting Bracket Screws \varnothing 4x13mm

B



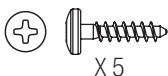
Clamp (for drain hose)

C



Screw Clamp (for drain hose)

D



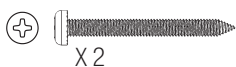
Screws

E



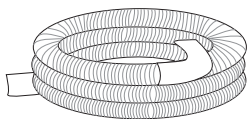
Adhesive Backed Cord Clip

F



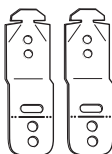
Metal toe panel screws

G



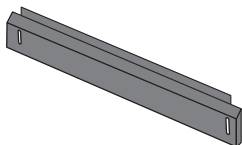
Drain hose

H



Mounting Brackets

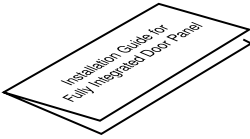
I



Metal Toe Panel (used with F)

Materials Supplied

(Model Dependent; for fully integrated dishwashers only)



Installation Guide for Fully Integrated Door Panel

IMPORTANT!

Before you begin, you must read the safety instructions.

PRE-INSTALL CHECKLIST

1. Unpack unit. Retain packing material until successful installation is complete.
2. Remove all packing material from inside the dishwasher.
3. Inspect parts to ensure you have all the necessary materials.
4. Flush household hot water supply for at least two minutes.
5. Measure the enclosure area. Is the opening at least 34" (863.6 mm) high and 24" (609.6 mm) wide?
6. Is the opening near enough to the sink for the water line and drain hoses to access plumbing?
7. Will the unit be installed close enough to the sink so that drain hose length does not exceed 92" (2336.8 mm) and so that a portion of the drain hose is raised at least 33" (840 mm) above the floor?
8. Do the openings for electric cable, water line, and drain hose routing through cabinet fit within the shaded area in Figure 3?
9. Are the openings sanded smooth if wood or covered by a protective gasket if metal?
10. Is your water heater set at 120°F (49°C) and does water pressure measure 15-145 psi (1-10 bar)?
11. If installing in a corner, will the dishwasher door clear cabinet hardware?
12. Determine mounting method based on dishwasher model and counter-top type (see Figures 11-14).
13. Only use included hardware for install. If replacing dishwasher, dispose of old hose and other equipment properly.

Enclosure Requirements

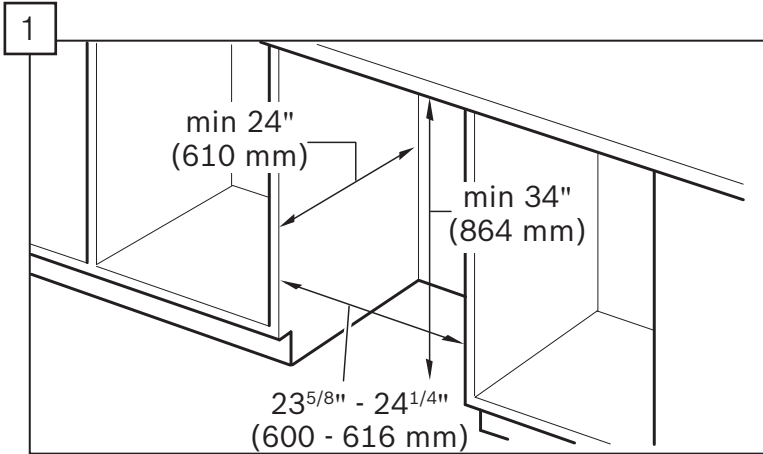
WARNING

To Avoid Scalding or Electrical Shock Hazard!

Make sure the water supply and electrical supply are shut off before installation or service.

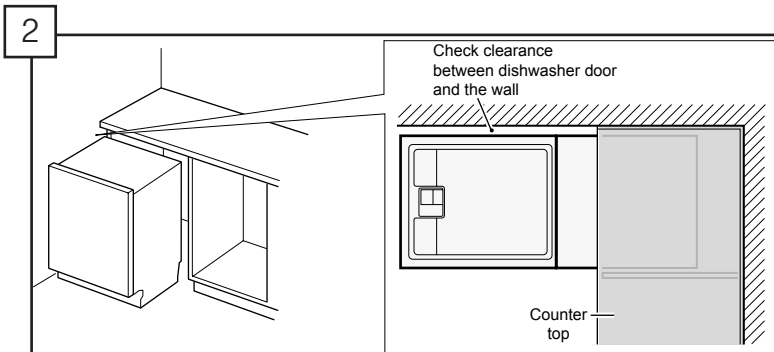
To Avoid Electrical Shock/Fire Hazard!

Do not allow the electrical and supply lines to touch.



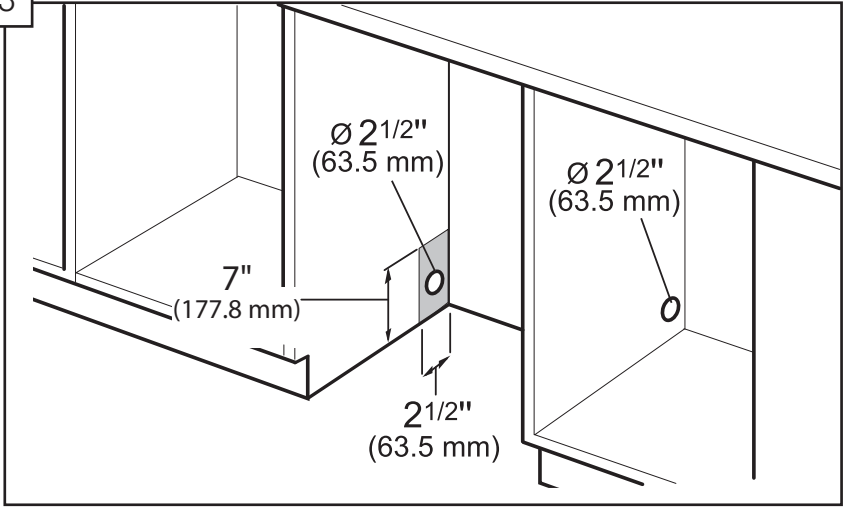
Note: This dishwasher is designed to be enclosed on the top, back and both sides by standard residential kitchen cabinetry.

- Select a location as close to the sink as possible for easy access to water supply and drain lines.
- For proper dishwasher operation and appearance, ensure that the enclosure is square and has the dimensions shown.



- If the dishwasher is to be installed in a corner, ensure that there is adequate clearance to open the door as shown.

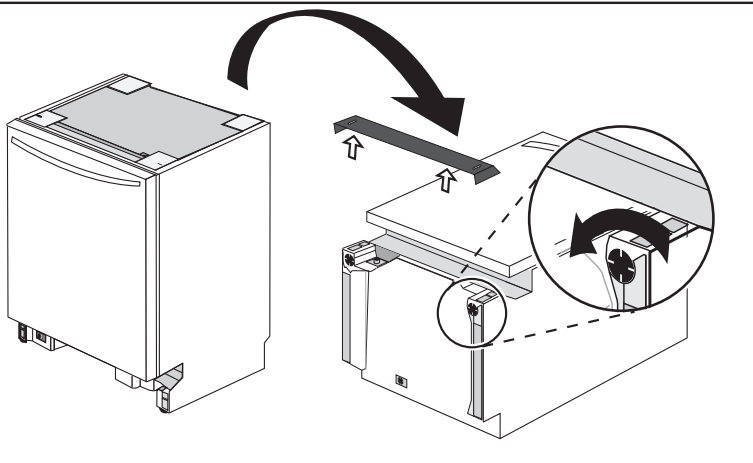
3



- After locating the proper place for your dishwasher, create required openings in your cabinets in order to allow for water, drain and electrical lines on the appropriate side.
- The holes should be cut within the 7 x 2.5" area shown.
- If the opening is made through wood, sand it smooth.
- If the opening is made through metal, use the Edge Protector Kit SMZEP001UC.

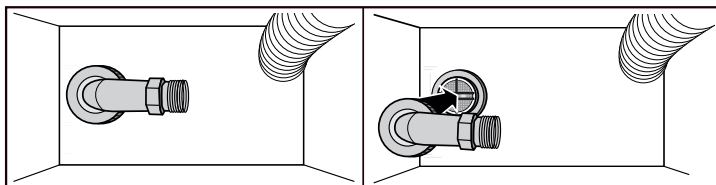
Attaching Water Inlet and Drain Hose

4

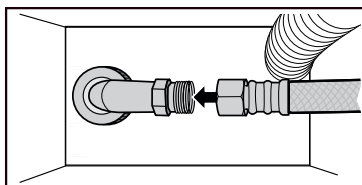


- Carefully flip the unit over. Remove the toe panel from the front of the unit and retain for attachment to the front at a later time. Loosen the leg levelers slightly.

5



- Attach elbow joint to dishwasher as shown. Do not overtighten.

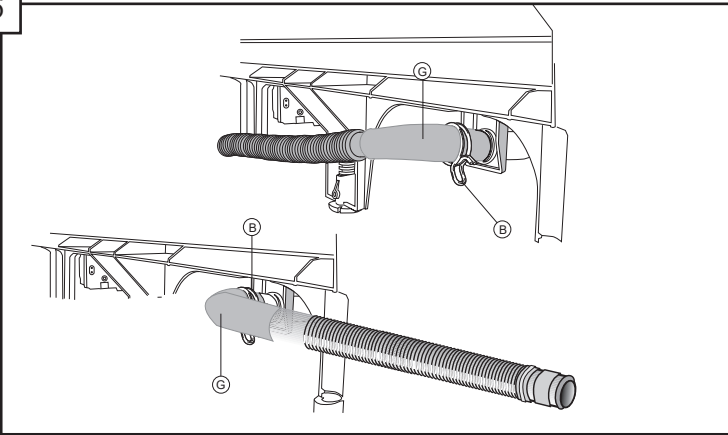


- Attach hot water line to elbow. Use two wrenches to tighten to avoid putting stress on the water inlet valve.

NOTICE

Avoid cross-threading! It will cause leaks. After attaching hose, temporarily hook up the water supply then turn on water to check for leaks.

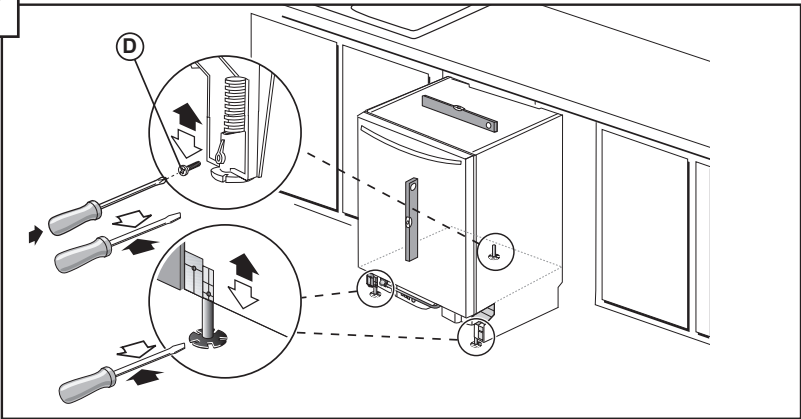
6



- Flip unit back upright, making sure the waterline is not pinched.
- Orient the drain hose toward direction of sink.

IMPORTANT: Route hose toward sink PRIOR TO connection. Do not turn after attachment. Attach drain hose elbow (Part G) to back of unit using pliers to install the spring clamp (Part B).

7



- Pre-level unit before positioning under counter by turning feet clockwise to raise or counter-clockwise to lower. Maximum height the unit can be raised with feet fully extended is 34.5" (876.3 mm).
- Position unit under counter to verify that it is level. If adjustment is needed, remove unit from under counter and adjust as necessary.
- Once the unit is at a satisfactory height, insert leg leveler locking screw (Part D) in back foot. Step 10 will complete the leveling process.

Electrical Connection



WARNING

Avoid Electrical Shock Hazard!

Do not work on an energized circuit. Doing so could result in serious injury or death. Only qualified electricians should perform electrical work. Do not attempt any work on the dishwasher electric supply circuit until you are certain the circuit is de-energized.

To avoid possible injury or property damage, care should be exercised when the dishwasher is installed or removed to reduce the likelihood of damage to the power cord.

Avoid Fire Hazard!

Make sure electrical work is properly installed and checked by qualified electricians.

Make sure there are no loose electrical connections. Make sure all electrical connections are properly made.

Loose and improperly installed electrical connections can result in overheating!

To avoid risk of fire, observe the following precautions:

Wall Socket Connections:

Only use the provided power cord for wall socket connections. DO NOT attach an extension cord or any type of modified cord or adapter with this appliance.
DO NOT cut or splice the power cord.
DO NOT alter the power cord in any way.

Permanent Wire Connections (in addition to the warnings above):

Only use the junction box power cord, sold as Accessory kit #SMZPCJB1UC.
Carefully review the terminal block installation instructions.
DO NOT remove, alter or bypass the terminal block.

Electrical Supply

The customer has the responsibility of ensuring that the dishwasher electrical installation is in compliance with all national and local electrical codes and ordinances. The dishwasher is designed for an electrical supply of 120V, 60 Hz, AC, connected to a dishwasher-dedicated, properly grounded electrical circuit with a fuse or breaker rated for 15 or 20 amps.

Dishwasher Electrical Rating

Volts	Hertz	Amperes	Watts
120	60	12	1,440 (max)

Grounding Instructions

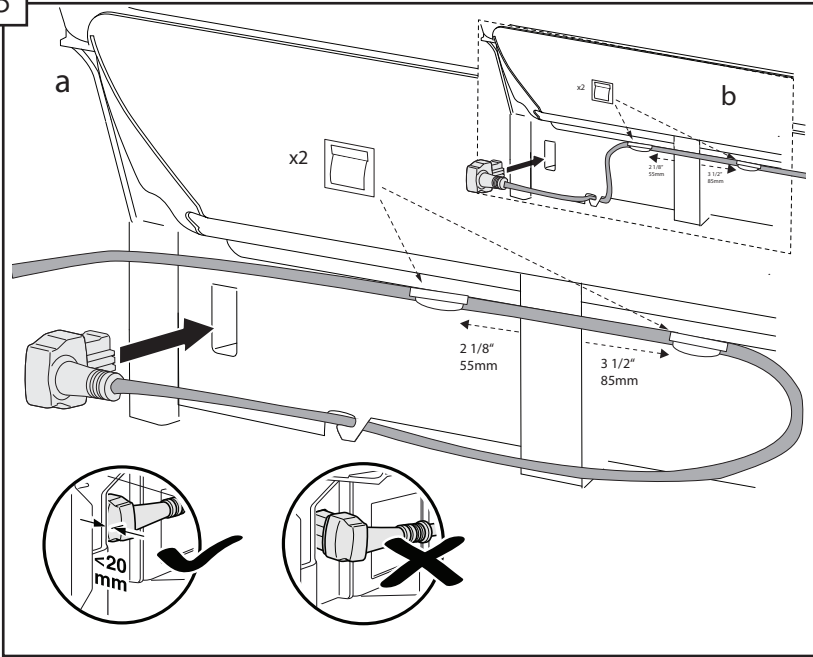
The dishwasher must be properly grounded before operating. This appliance must be connected to a grounded metal permanent wiring system or an equipment grounding conductor must be run with the circuit conductors and connected to the equipment grounding terminal or lead on the dishwasher.

Do NOT use an extension cord.

Make sure that the dishwasher is connected to a suitable ground in compliance with all local codes or, in the absence of a local code, with the NATIONAL ELECTRICAL CODE in the United States or the CANADIAN ELECTRIC CODE C22.1-latest edition in Canada as well as any provincial/state or municipal or local codes that apply.

Note: Installations requiring hard wiring and terminal block - The accessory terminal block/junction box model, SMZPCJB1UC, designed for permanent wire connection, is not included but can be ordered through Customer Service by calling 1-800-944-2904. Follow the instructions included with the kit.

8

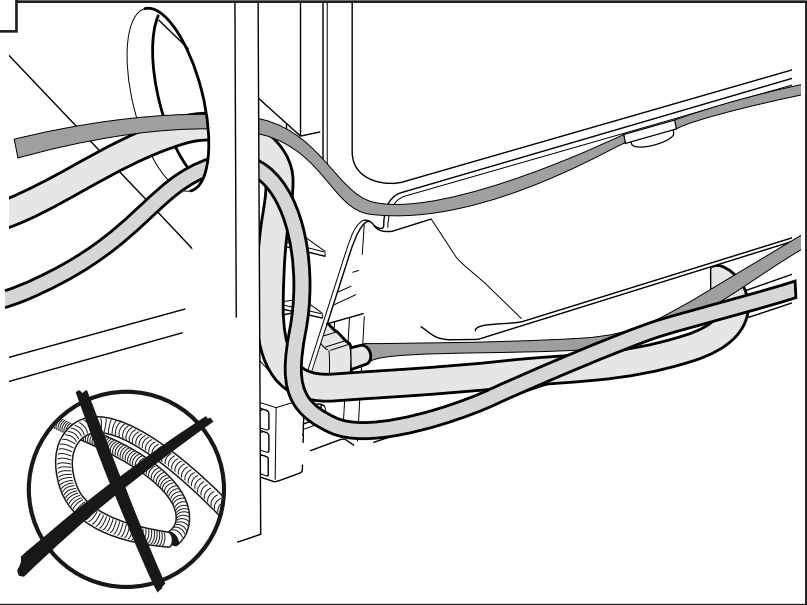


- Place adhesive backed cord clips (provided in the installation kit) as shown in the figure above and route power cord through the clips. Use method **a** or **b** depending on which side your power outlet is on. *Note: The length of cord measured from the plastic back strap to the receptacle should be $\leq 47.25"$ (1,200 mm).*
- Plug the end of the supply cord securely into the back of the dishwasher.
- The outlet for the power supply cord should be located in a cabinet or wall adjacent to the dishwasher cabinet. Do not plug dishwasher in until all the steps of installation are complete.

Note: Only use the included power cord. If cord is missing order kit SMZPC002UC through Customer Service.

Positioning the Dishwasher

9

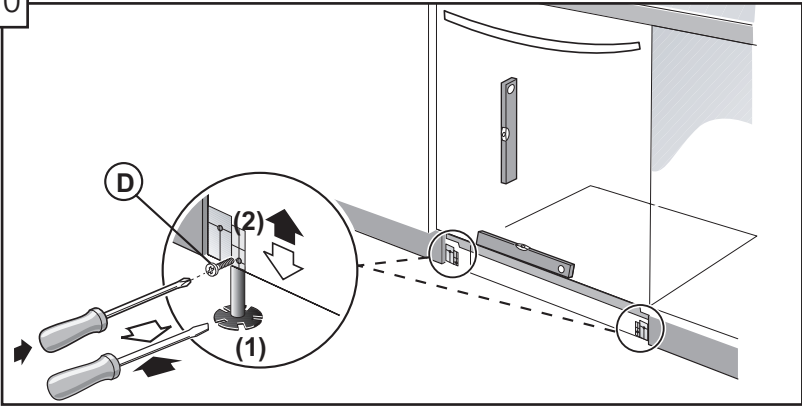


- Orient the hoses and power cord so they go towards the sink and the power outlet.

NOTICE

Do not leave coils of hoses or wires behind the dishwasher. Be sure to pull the hoses all the way into the adjacent cabinet while pushing the dishwasher in. Otherwise, the hoses can fold, kink or break, potentially causing obstructions or leaks.

10



- Level the dishwasher horizontally by turning feet (1) clockwise to raise or counter-clockwise to lower front of unit. Once level, (2) insert leg leveler locking screws (Part D) and tighten.

Installation of Mounting Brackets

WARNING

Avoid Tip Over Hazard!

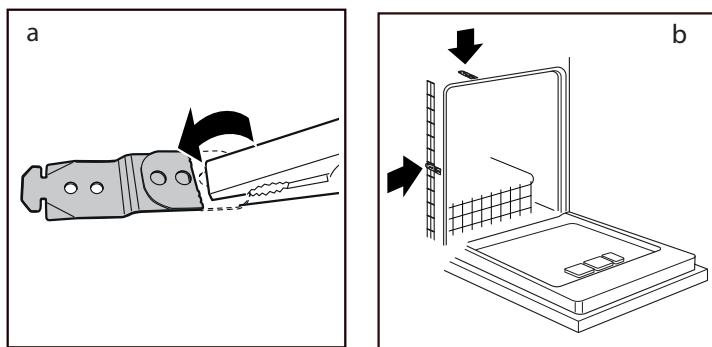
Do not use the dishwasher until it is completely installed.
When opening the door on an uninstalled dishwasher, carefully open the door while supporting the rear of the unit.
Failure to follow this warning can result in serious injury.

Note: Before installing the supplied counter top mounting brackets, decide which method of securing the dishwasher into its enclosure will be used.

Once the mounting brackets are installed on the dishwasher, removing them is difficult and will damage the mounting brackets and the dishwasher.

If you have a Fully Integrated Panel, do not attach mounting brackets until after attaching the panel to the door.

11



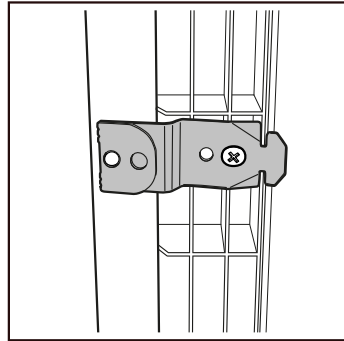
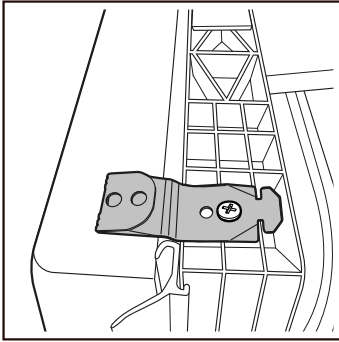
Grasp mounting bracket (H) with pliers and fold bracket at the perforation over onto itself as shown in 11a.

- Mount brackets on the top if your countertop is wood or other material that can easily be drilled into. (see figure 11b)
- Mount brackets on the sides if your countertop is stone or any very hard material that cannot be easily drilled into. (see figure 11b)

Wood Countertop/
Top Mount

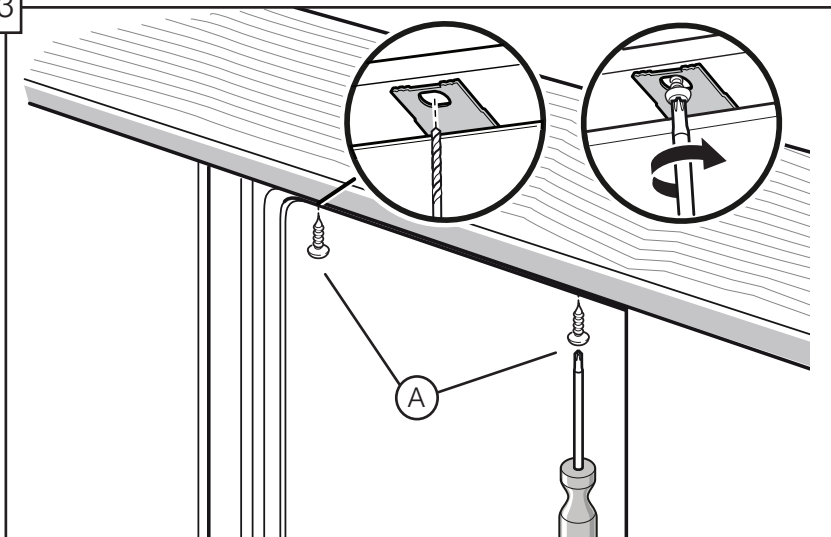
Stone Countertop/
Side Mount

12

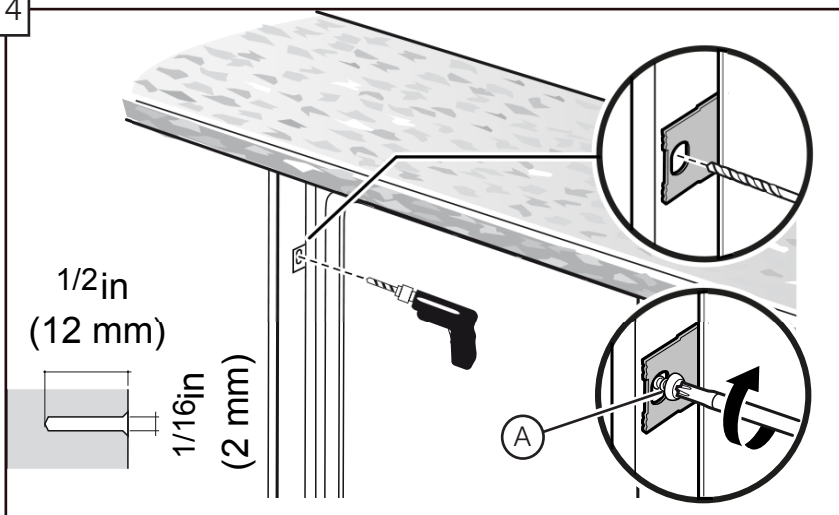


- Attach mounting brackets to the frame with included screws (D).

13



14



- Drive the mounting screws (A) through the holes in the mounting brackets as shown for Top (figure 13) or Side Mount (figure 14). Remove upper rack before inserting screws on the sides.

Water Inlet Connection

WARNING

Scalding Hazard!

Do not perform any work on a pressured hot water line. Serious injury could result. Only qualified plumbers should perform plumbing work. Do not attempt any work on the dishwasher hot water supply plumbing until you are certain the hot water supply is shut off.

NOTICE

Temperatures required for soldering and sweating will damage the dishwasher. If plumbing lines are to be soldered or sweated, keep the heat source at least 6 inches (152.4 mm) away from the dishwasher.

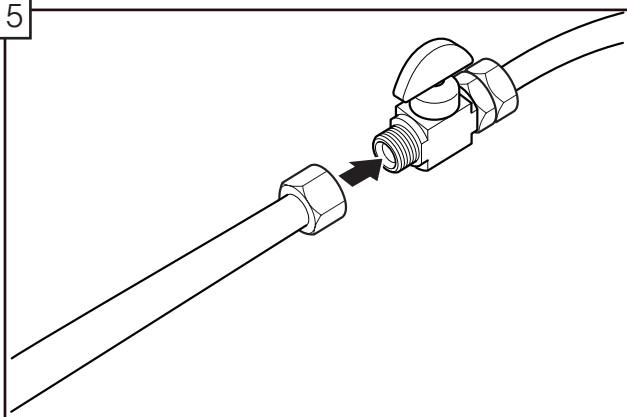
Hot Water Supply

The hot water heater should be set to deliver approximately 120° F (49° C) water to the dishwasher. Water that is too hot can cause some detergents to lose effectiveness. Lower water temperatures will increase run times. The hot water supply pressure must be between 15 - 145 psi (1 - 10 bar).

IMPORTANT NOTES:

- If using a solder joint instead of a compression fitting, be sure to complete all solder connections before connecting the water supply line to the dishwasher.
- Make sure there are no sharp bends or kinks in the water line that might restrict water flow.
- Always use appropriate seals when making plumbing connections.
- Before connecting the water supply line to the dishwasher, flush the incoming water line for approximately 5 minutes to clear any foreign material.
- Properly tighten all water connections. Not doing so could result in a leak.
- Check local plumbing codes for approved plumbing procedures and accessories. All plumbing should be done in accordance with national and local codes.
- If using copper tubing or other material not depicted in this manual for water supply, defer to a licensed plumber for proper installation.

15



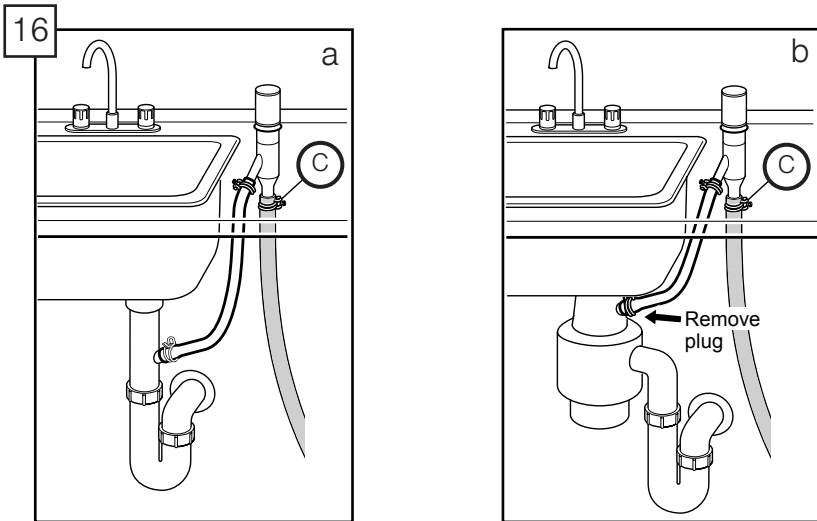
- Connect the dishwasher water supply line to the water shut off valve. If one isn't already in the supply line, install one (not provided).
- You will need to use an approved dishwasher water supply line with the correct fittings for this connection.
- After all connections are made, turn on the hot water and check for leaks.

Drain Connection

IMPORTANT NOTES about your drain connection:

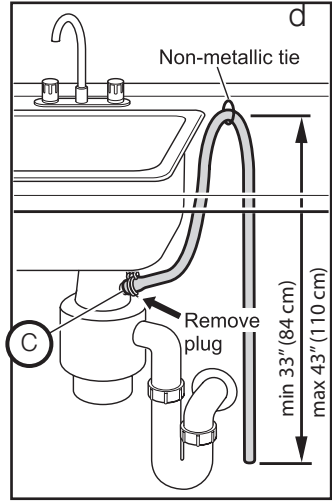
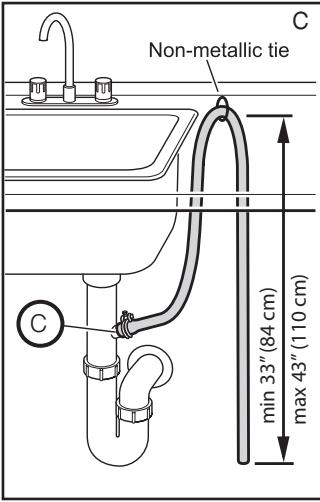
- If local ordinance require an air gap, install it according to the manufacturer's instructions.
- If the dishwasher drain hose is to be connected to a disposer dishwasher drain connection, remove the plug from the disposer's dishwasher drain connection.
- The dishwasher drain hose must have one place along its length that is securely attached 33" (84 cm) above the floor.
- The drain hose length can be extended if necessary. Use kit #SGZ1010UC. The maximum length of the drain hose, including the hose leading to the air gap, is 150" (380 cm).

NOTE: Place hose clamp (C) around end of drain hose **BEFORE** connecting to the plumbing.



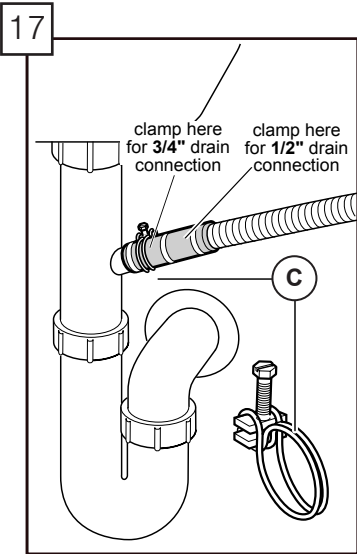
The dishwasher drain hose may be connected to the drain plumbing using an air gap in one of two ways:

- Connect to the under sink dishwasher drain connection (16a).
- Connect to a disposer dishwasher drain connection (16b).



The dishwasher drain hose may be connected to the drain plumbing using a high loop in one of two ways:

- Connect to the under sink dishwasher drain connection (16c).
- Connect to a disposer dishwasher drain connection (16d).

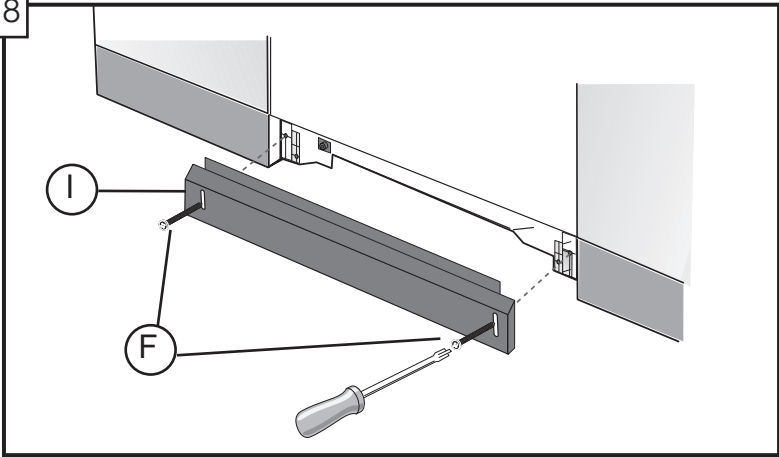


- Use the clamp provided (C) to attach the drain hose to the house plumbing as shown.

NOTE: If your dishwasher came with a fleece kit, follow the directions supplied in that kit to install the fleece.

Attaching the Toe Panel

18

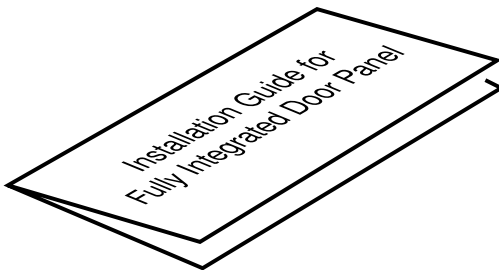


- Attach the metal toe panel (Part I) with screws (Part F) so it is flush with the floor.
- Plug the unit in.

Success! Your installation is now complete.

Fully Integrated Door Panel

If your dishwasher is a fully integrated unit, please see the included instructions and template for installing a fully integrated door panel.



Customer Service

Your dishwasher requires no special care other than that described in the Care and Maintenance section of the Use and Care Manual. If you are having a problem with your dishwasher, before calling for service please refer to the Troubleshooting section in the Use and Care Manual. If service is necessary, contact your dealer or installer or an authorized service center.

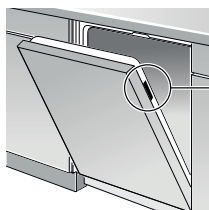
Do not attempt to repair the appliance yourself. Any work performed by unauthorized personnel may void the warranty. If you are having a problem with your dishwasher and are not pleased with the service you have received, please take the following steps (in the order listed below) until the problem is corrected to your satisfaction:





1. Contact your installer or the Authorized Service Contractor in your area.
2. Write us at the address below:
BSH Home Appliances Corporation
1901 Main Street
Irvine, CA 92614
3. Call us at the Customer Service phone number before calling retailer for technical problems :
1-800-944-2904

Please be sure to include (if you are writing), or have available (if you are calling), the following information:

- Model number (SH_____)
- Serial number (_____)
- Date of original purchase (mm/dd/yyyy)
- Date the problem originated (mm/dd/yyyy)
- Explanation of the problem
- Daytime phone number where you can be reached.

Please make a copy of your invoice and keep it with this manual. Proof of purchase may be requested to verify warranty coverage.



BOSCH Cust. Service (SERVICE CLIENTÈLE): 1-800-944-2904		 C US LISTED (LISTÉ)	 RESIDENTIAL	ENERGY VERIFIED BY ENERGETIQUE VERIFIÉE  EP3132762	
MODEL NUMBER (NUMERO DE MODELE) SH#####UC/06	~ 120 V 12.0 A 60 Hz  0.2 kW ~1~ 1.2 kW				
FD910300001	Made in the USA of US and imported parts (Fabriqué aux É.-U. de pièces É.-U. et importées)	Not DISHWASHER (LAVÉ-VAISSELLES) E103022			Certified residential dishwashers are not intended for commercial food establishments (Les lave-vaisselles résidentiels certifiés ne sont pas destinés aux établissements alimentaires agréés.)
SN6P5B	101030989100011				

9001490754 (9911) 640B