

BUILT-IN MICROWAVE WITH TRIM KIT INSTALLATION INSTRUCTIONS

INSTRUCTIONS D'INSTALLATION DU FOUR À MICRO-ONDES ENCASTRÉS AVEC GARNITURE

Built-In Microwave with Trim Kit Models / Modèles de four à micro-ondes avec garniture
Standard Models / Modèles standard: YWMT55511K, YKMBT5511K
Slim Models / Modèles minces: YWMT50011K, YKMBT5011K

Table of Contents / Table des matières

MICROWAVE OVEN SAFETY	1	SÉCURITÉ DU FOUR À MICRO-ONDES	10
INSTALLATION REQUIREMENTS	2	EXIGENCES D'INSTALLATION	11
Tools and Parts.....	2	Outils et pièces.....	11
Location Requirements.....	3	Exigences d'emplacement	12
Not installed over a built-in oven	3	Non installé au-dessus un four encastré	12
Installed over a built-in oven	3	Installé au-dessus un four encastré.....	12
Product Dimensions.....	4	Dimensions du produit	13
Required Cutout Dimensions.....	5	Dimensions requises des ouvertures à découper	14
Electrical Requirements	6	Spécifications électriques	15
INSTALLATION INSTRUCTIONS	7	INSTRUCTIONS D'INSTALLATION	16
Unpacking Instructions	7	Instructions de déballage.....	16
Prepare Microwave Oven.....	7	Préparation du four à micro-ondes.....	16
Install the Rails	8	Installation des glissières	17
Install the Microwave Oven.....	9	Installation du four à micro-ondes.....	18
Secure the Trim Kit Frame	9	Fixer le cadre de garniture	18

UL listed for use over electric built-in oven, 30" (76.2 cm) wide.

This appliance is a built-in microwave with trim kit, do not use as countertop microwave oven.

Homologué UL pour une utilisation au-dessus d'un four électrique encastré de 30 po (76,2 cm) de large.

Cet appareil est un four à micro-ondes encastré avec garniture; ne pas utiliser comme four à micro-ondes de comptoir.

MICROWAVE OVEN SAFETY

Your safety and the safety of others are very important.

We have provided many important safety messages in this manual and on your appliance. Always read and obey all safety messages.



This is the safety alert symbol.

This symbol alerts you to potential hazards that can kill or hurt you and others.

All safety messages will follow the safety alert symbol and either the word "DANGER" or "WARNING."

These words mean:

⚠ DANGER

You can be killed or seriously injured if you don't immediately follow instructions.

⚠ WARNING

You can be killed or seriously injured if you don't follow instructions.

All safety messages will tell you what the potential hazard is, tell you how to reduce the chance of injury, and tell you what can happen if the instructions are not followed.



W11412754B

INSTALLATION REQUIREMENTS




Tools and Parts

Tools Needed

Gather the required tools and parts before starting installation. Read and follow the instructions provided with any tools listed here.

- Measuring tape
- Pencil
- Phillips screwdriver
- 7/64" (2.8 mm) drill bit
- Drill

Screw Pack Supplied (not shown to scale)

SCREW	SCREW ART	QTY
#7-18x7/16" round-head sheet metal screws		14
#7-16x15/16" flat head wood screws		6
#7-16x7/16" round-head wood screws		10

NOTE: There are some extra screws in the screw pack. They are spares for your use during installation if needed. See below:

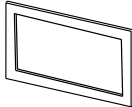

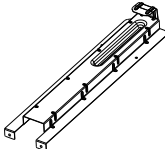
- #7-18x7/16" round-head sheet metal screw: 4 extra
- #7-16x15/16" flat head wood screw: 2 extra
- #7-16x7/16" round-head wood screw: 4 extra

Parts supplied (not shown to scale)

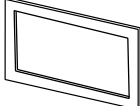

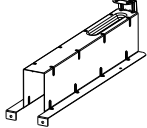
This installation instruction is for various models. Some parts supplied may have different appearance, depending on your model.

NOTE: Trim kit frame (1), Cooling Ducts (2) and Rail (2) parts will need to be purchased to convert from Standard to Slim or from a Slim to a Standard installation.

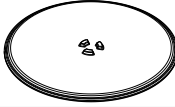


Parts supplied for model: YWMT50011K and YKMBT5011K

PART	PART ART	QTY
Trim kit frame (slim)		1
Cooling duct (slim)		2
Rail (slim)		2

Parts supplied for model: YWMT55511K and YKMBT5511K

PART	PART ART	QTY
Trim kit frame (standard)		1
Cooling duct (standard)		2
Rail (standard)		2

Parts supplied for all models

PART	PART ART	QTY
Turntable		1
Turntable ring		1
Turntable driver		1

NOTE: The turntable driver is located inside the microwave oven cavity. Remove the tape before use.

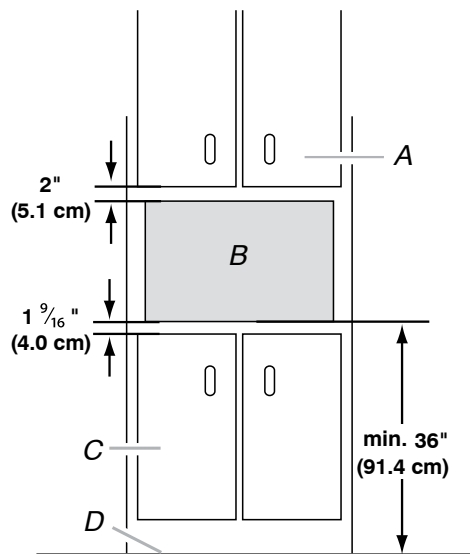
Location Requirements

This is a built-in appliance. Do not use as countertop microwave oven.

This microwave oven must be installed into a wood cabinetry. The location must provide:

- Cutout opening that is plumb and square.
- Cutout floor that is solid, level and flush with bottom of cabinet cutout.
- Support for weight of at least 150 lbs (68 kg), which includes microwave oven and items placed inside.
- There must be minimum of 36" (91.4 cm) from the floor to cut-out floor. See pictorial below.
- Grounded electrical outlet. See "Electrical Requirements" section.
- Minimum installation clearances for installation location. See "Required Cutout Dimensions" section.
- Complete enclosure around the recessed portion of the microwave oven.
- Mounting distance between a fixed wall on the hinged-side of the door and the microwave oven is 0.5" (1.3 cm).

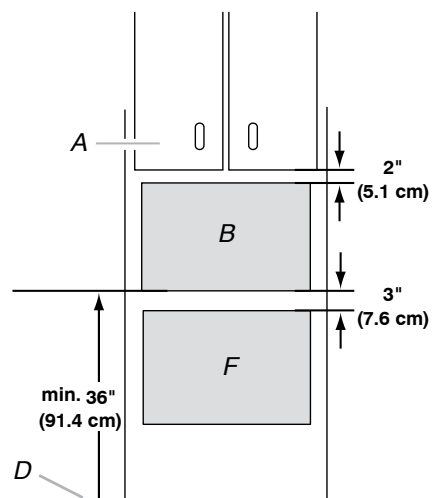
Not installed over a built-in oven



A. Upper cabinet C. Lower cabinets
B. Microwave oven cutout D. Floor

1. Minimum distance of 36" (91.4 cm) from the floor to the cutout floor.
2. The microwave oven may also be installed in a cabinet by itself (without a built-in oven below). Allow a clearance of at least 1⁹/₁₆" (4.0 cm) below the cabinet.
3. Make sure the surrounding cabinetry has clearance to open and close freely. Allow a clearance of at least 2" (5.1 cm) above the cutout opening.

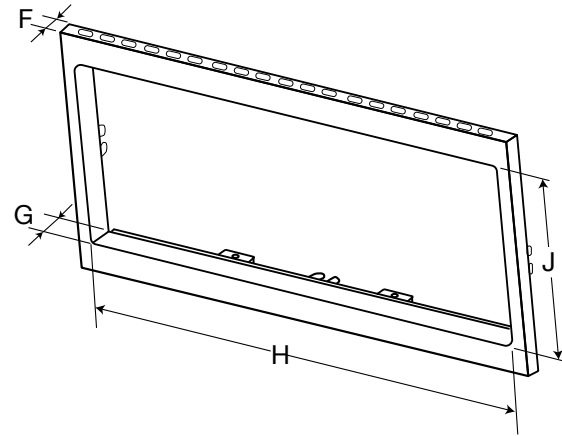
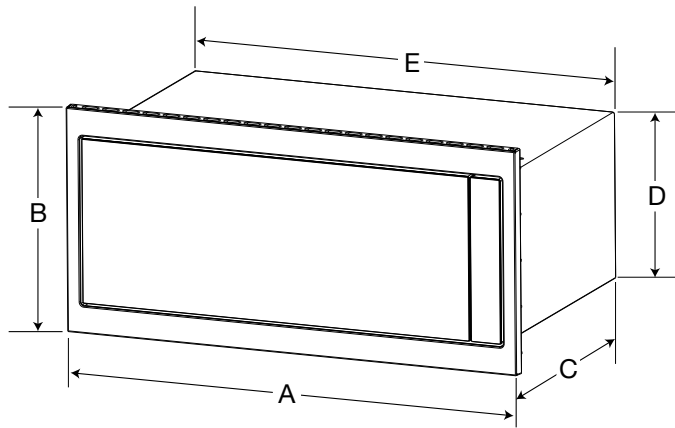
Installed over a built-in oven



A. Upper cabinet D. Floor
B. Microwave oven cutout F. Lower oven cutout

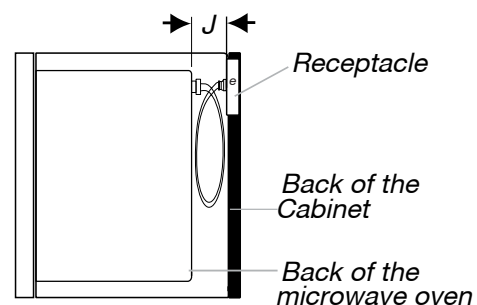
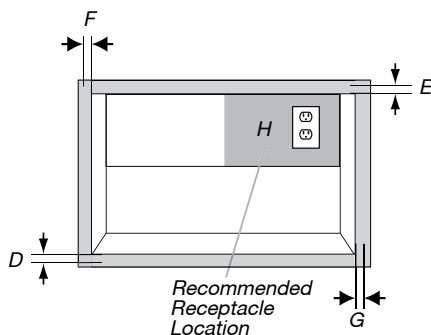
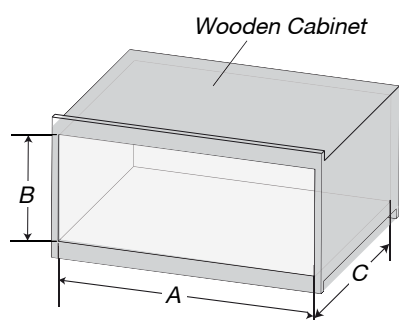
1. Minimum distance of 36" (91.4 cm) from the floor to the cutout floor.
2. The microwave oven may be installed over a built-in oven. If installing over a built-in oven, make sure there is a minimum of 3" (7.6 cm) between the top of the lower oven cutout and the microwave oven cutout floor.
3. Make sure the surrounding cabinetry has clearance to open and close freely. Allow a clearance of at least 2" (5.1 cm) above the cutout opening.

Product Dimensions



Unit Measurement		Slim models		Standard models	
		in	cm	in	cm
A	Width of unit with trim kit frame	29 $\frac{3}{4}$	75.6	29 $\frac{3}{4}$	75.6
B	Height of unit with trim kit frame	14	35.6	19 $\frac{1}{8}$	48.6
C	Depth of unit	18	45.7	18	45.7
D	Height of unit without trim kit frame	10 $\frac{5}{16}$	26.2	10 $\frac{5}{16}$	26.2
E	Width of unit without trim kit frame	27 $\frac{13}{16}$	70.7	27 $\frac{13}{16}$	70.7
F	Trim kit frame thickness (visible)	$\frac{7}{8}$	2.2	$\frac{7}{8}$	2.2
G	Total thickness of frame	2 $\frac{5}{16}$	5.8	2 $\frac{5}{16}$	5.8
H	Trim kit frame inner opening width	28	71.1	28	71.1
J	Trim kit frame inner opening height	10 $\frac{9}{16}$	26.9	10 $\frac{9}{16}$	26.9

Required Cutout Dimensions



Cabinet Cutout Measurement		Slim models		Standard models	
		in	cm	in	cm
A	Width of cabinet opening	28 ¹ / ₂	72.4	28 ¹ / ₂	72.4
B	Height of cabinet opening	12	30.5	17 ¹ / ₈	43.5
C	Depth of cabinet opening	Minimum 21 ³ / ₄ " (55.2 cm) with flush receptacle			
D	Trim kit frame overhang-lower frame	1	2.54	1	2.54
E	Trim kit frame overhang-upper frame	1	2.54	1	2.54
F	Trim kit frame overhang-left frame	5/8	1.6	5/8	1.6
G	Trim kit frame overhang-right frame	5/8	1.6	5/8	1.6
H	Recommended region for receptacle	Upper right quadrant			
J	Receptacle surface to the back of the microwave oven	4" (10.2 cm) < J < 40" (102 cm)			

NOTES:

- Flush receptacle is recommended. For non-flush receptacle, make sure you have at least 4" (10.2 cm) clearance between the back of microwave oven and the receptacle.
- If the receptacle is placed outside of the recommended region, make sure from the back of the microwave oven to the receptacle must be within 40" (102 cm). Otherwise, the power cord is not long enough to plug in.
- Tolerance for width and height of cabinet opening is 1/16" (2 mm).

Electrical Requirements

⚠ WARNING



Electrical Shock Hazard

Plug into a grounded 3 prong outlet.

Do not remove ground prong.

Do not use an adapter.

Do not use an extension cord.

Failure to follow these instructions can result in death, fire, or electrical shock.

Observe all governing codes and ordinances.

Required:

- A 120 V, 60 Hz, AC only, 15 or 20 A electrical supply with a fuse or circuit breaker

Recommended:

- A time-delay fuse or time-delay circuit breaker
- A separate circuit serving only this microwave oven

GROUNDING INSTRUCTIONS

■ **For all cord connected appliances:**

The microwave oven must be grounded. In the event of an electrical short circuit, grounding reduces the risk of electric shock by providing an escape wire for the electric current. The microwave oven is equipped with a cord having a grounding wire with a grounding plug. The plug must be plugged into an outlet that is properly installed and grounded.

WARNING: Improper use of the grounding plug can result in a risk of electric shock. Consult a qualified electrician or serviceman if the grounding instructions are not completely understood, or if doubt exists as to whether the microwave oven is properly grounded.

Do not use an extension cord. If the power supply cord is too short, have a qualified electrician or serviceman install an outlet near the microwave oven.

SAVE THESE INSTRUCTIONS

This device complies with Part 18 of the FCC Rules.

This device complies with Industry Canada ICES-001.

INSTALLATION INSTRUCTIONS

Unpacking Instructions

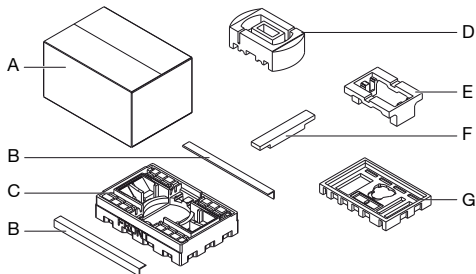
⚠ WARNING

Excessive Weight Hazard

Use two or more people to move and install microwave oven.

Failure to do so can result in back or other injury.

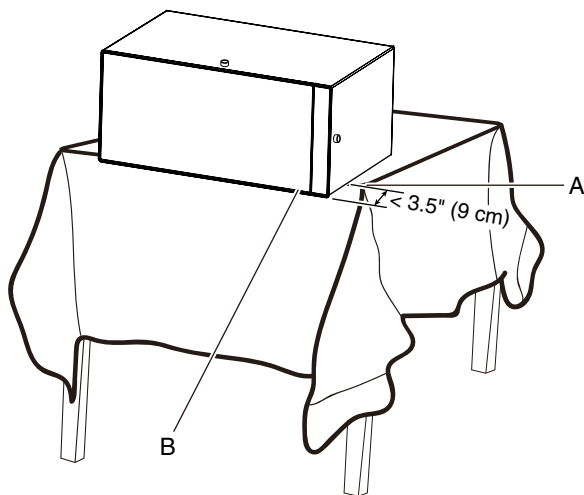
1. Unpack the microwave oven and check if all parts are supplied and screw pack is included. See "Screw Pack Supplied" and "Parts Supplied" sections. They are needed for installation.
2. Dispose of/recycle all packing materials.



- A. Carton box (1)
- B. Angle bar (2)
- C. Top cushion (1)
- D. Small cushion (1)
- E. Inner cushion (Standard models only)
- F. Inner cushion bar (Standard models only)
- G. Bottom cushion

Prepare Microwave Oven

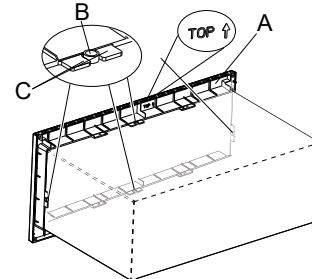
1. Remove any loose items inside microwave oven.
2. Place the microwave oven on a sturdy counter top or table with the door slightly beyond the surface edge as shown.



- A. Edge of table
- B. Edge of microwave-lower front door

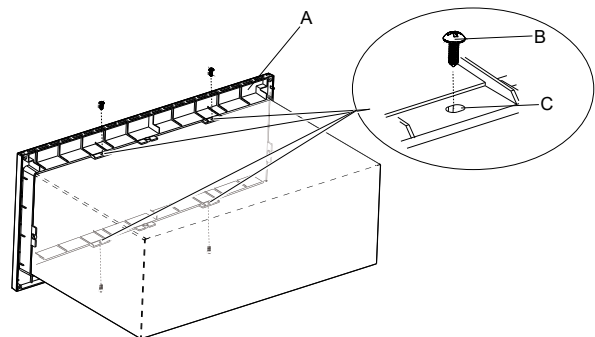
3. Attached the trim kit frame to the microwave oven in the following steps:

- Remove the protective film on door before installation.
- Insert the four trim kit frame locating holes to the four microwave oven locating pins. Install the trim kit frame in the proper orientation. "TOP" side is marked.



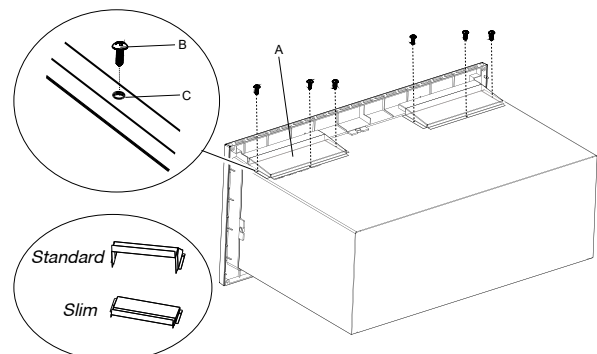
- A. Trim Kit Frame
- B. Locating pin (4)
- C. Locating slot (4)

- Secure the trim kit frame to the microwave oven using four #7-18x7/16" round-head sheet metal screws



- A. Trim Kit Frame
- B. #7-18x7/16" round head sheet metal screw (4)
- C. Screw holes (4)

4. Secure the two cooling ducts to the top of the microwave oven using six #7-18x7/16" round-head sheet metal screws.

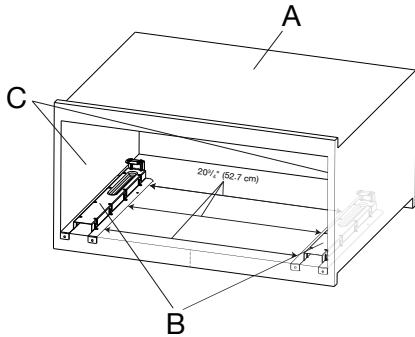


- A. Cooling Duct (2)
- B. #7-18x7/16" round head sheet metal screws (6)
- C. Screw holes (6)

NOTE: The cooling duct may have slightly different appearance, depending on your model.

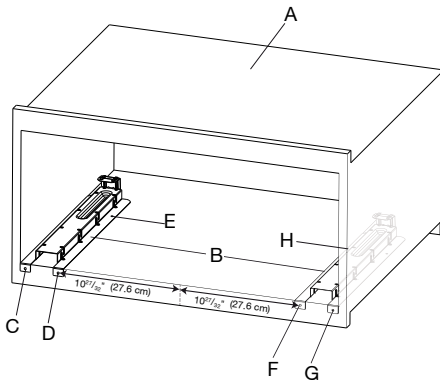
Install the Rails

- Using measuring tape and pencil, mark the centerline of the opening on the cabinet lower front wall.
- Place the two rails inside the cabinet as shown below such that distance between the nearest edges are $20\frac{3}{4}$ " (52.7 cm).



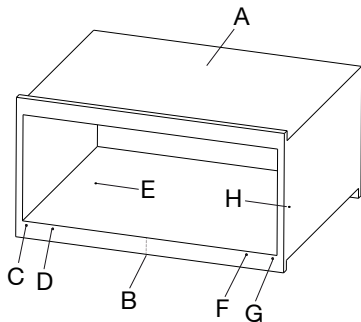
A. Cabinet
B. Rails
C. Side wall

- Use a pencil to draw screw marks across six rails screw holes C, D, E, F, G, H in the cabinet. Confirm that the distance from hole D to centerline is $10\frac{27}{32}$ " (27.6 cm). Also, distance from hole F to centerline should be $10\frac{27}{32}$ " (27.6 cm) as shown. Then take out of the two rails.



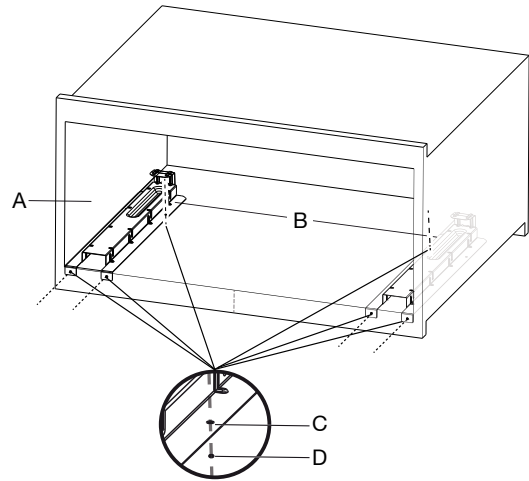
A. Cabinet
B. Rails
C. Hole C on left rail
D. Hole D on left rail
E. Hole E on left rail
F. Hole F on right rail
G. Hole G on right rail
H. Hole H on right rail

- Using a $\frac{7}{64}$ " (2.8 mm) drill bit, drill four pilot holes C, D, F, G on the cabinet lower front wall and two screw pilot holes E and H inside the bottom of cabinet.



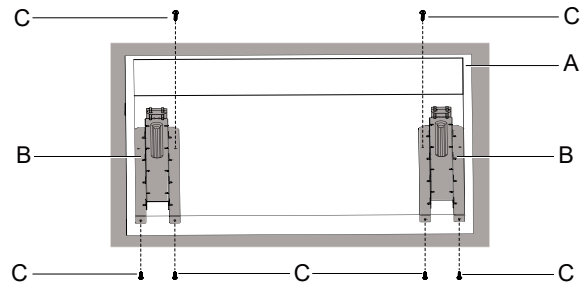
A. Cabinet
B. Centerline
C. Pilot hole C
D. Pilot hole D
E. Pilot hole E
F. Pilot hole F
G. Pilot hole G
H. Pilot hole H

- Put the two rails inside the cabinet, and align the screw holes on rails and pilot holes on cabinet.



A. Cabinet
B. Rails
C. Holes on rails
D. Pilot holes on cabinet

- Attach the two rails using the six #7-16x7/16" round-head wood screws.




A. Cabinet
B. Rail (2)
C. #7-16x7/16" round head wood screw (6)

Install the Microwave Oven

1. Position microwave oven near cutout opening.

⚠ WARNING



Electrical Shock Hazard

Plug into a grounded 3 prong outlet.

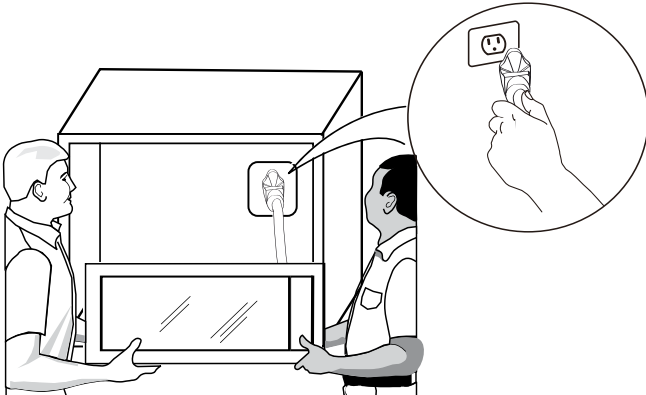
Do not remove ground prong.

Do not use an adapter.

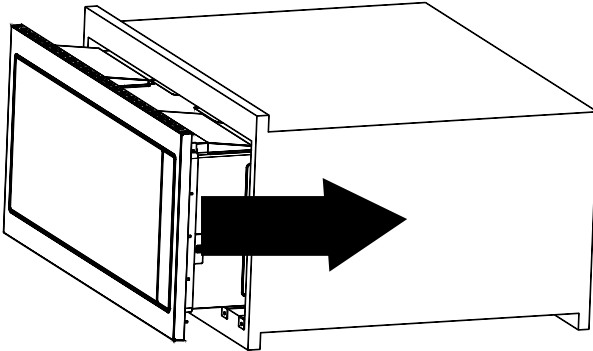
Do not use an extension cord.

Failure to follow these instructions can result in death, fire, or electrical shock.

2. Plug in microwave oven.



3. Slide the microwave oven back and into place.

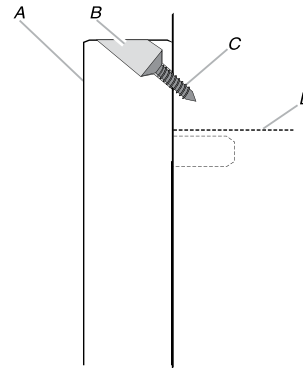


4. Adjust the microwave oven gently to the cutout/cabinet center.

Secure the Trim Kit Frame

1. Holding the trim kit frame in place, use 7/64" drill to drill four pilot holes into the front face of the cutout/cabinet through the mounting hole guides in the upper and lower corners of the trim kit frame.

NOTE: The holes will be drilled downward from the top, and upward from the bottom at an angle of about 45°.



- A. Trim kit frame
- B. Mounting hole guide
- C. #7-16x15/16" (17.8-40.6x2.4 cm) flat head wood screw (4)
- D. Cutout ceiling

2. Secure trim kit frame to cutout/cabinet by installing four #7-16x15/16" flat head wood screws into the pilot holes drilled.

NOTE: To avoid damage to the trim kit frame, do not overtighten screws.

Installation is now complete. Replace any loose items that have been removed from microwave oven cavity.

Save these Installation Instructions for future reference.

