

INSTALLATION INSTRUCTIONS FOR CUSTOM PANEL UNDERCOUNTER DISHWASHER STAINLESS STEEL TUB

IMPORTANT: Before installing your dishwasher, please use this instruction sheet as a supplement to the installation instructions.

Custom Panel Models Only

Gather these additional tools and parts before starting attachment of the custom panel. Read and follow the instructions provided in this instruction sheet.

Additional Tools Needed:

- 3/32" drill bit
- Torx[†] T15 screwdriver

Additional Parts Supplied with Custom Panel Models:

- 4 – Plastic studs (attached to each other by runners)
- 4 – Short screws (10-16 hex-head screw)
- 4 – Long screws (8-18 Torx head screws)
- 1 – Template (located inside Use and Care Guide bag assembly)
- 1 – Instruction sheet (located inside Use and Care Guide bag assembly)

NOTE: The screws supplied are used for only 3/4" (19 mm) thick wooden panel. If the wooden panel is less than 3/4" (19 mm) thick, customer must purchase screws locally.

Make sure all these parts are included in the literature package.

If parts are not included, call **1-800-422-1230**.

In Canada, call **1-800-807-6777**.

Follow Steps Below:

A customer supplied door panel and handle (together) must weigh no more than 16 lbs (7.3 kg) and must be made to specific dimensions. It is recommended that a cabinetmaker cut the customer panel because of the precise dimensions needed.

NOTES:

- The handle for the custom panel is not included.
- All mounting hardware supplied is for a 3/4" (19 mm) thick wood panel. If a thinner wood panel or materials other than wood are used, it is the customer's responsibility to obtain the proper length screws and adjust the pilot holes accordingly.

⚠ WARNING

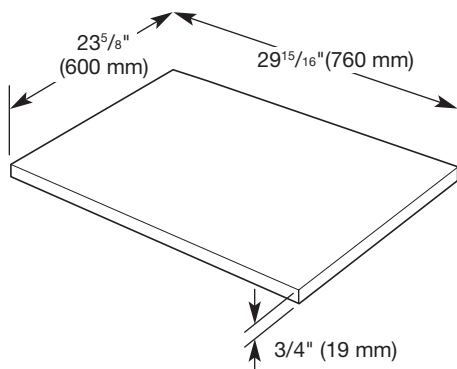
Excessive Weight Hazard

Use two or more people to move and install dishwasher.

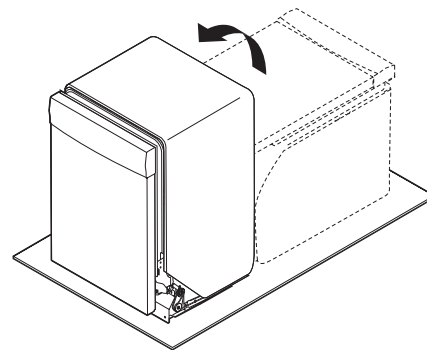
Failure to do so can result in back or other injury.

Install Custom Panel

Custom panel dimensions



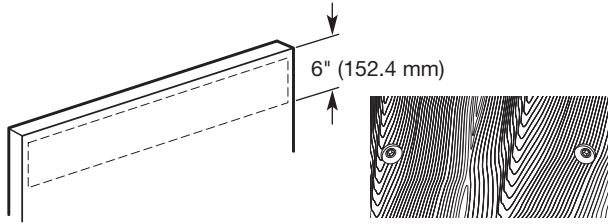
Stand dishwasher upright



Using 2 or more people, stand the dishwasher up.

[†]TORX and T15 are trademarks of Acument Intellectual Properties, LLC.

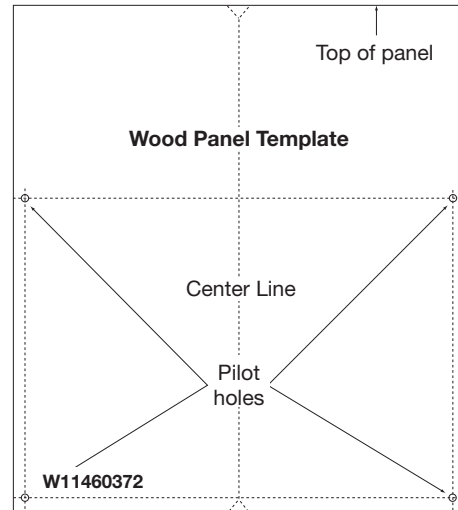
1. Attach handle



Install the custom hardware handle(s) on the front of the wooden panel inside dotted line.

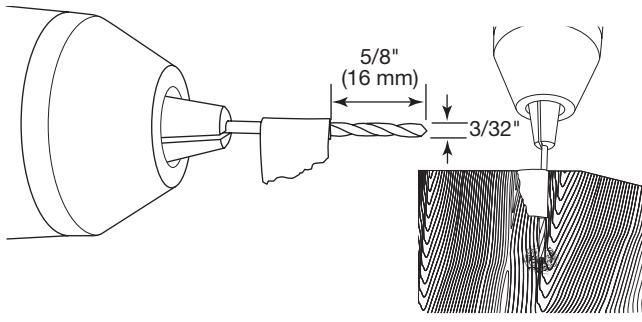
IMPORTANT: If the handle is attached from the back of the custom panel, the screw holes should be countersunk for the screw heads to be flush with the panel. If the handle is attached to the front of the custom panel, the screw lengths cannot exceed the panel thickness.

2. Panel template



Using the template provided, attach it to the backside of the custom panel with tape. Make sure that the center of the template is aligned with the center of the wooden panel and top of the template is aligned to the top face of the wooden panel.

3. Predrill custom panel holes

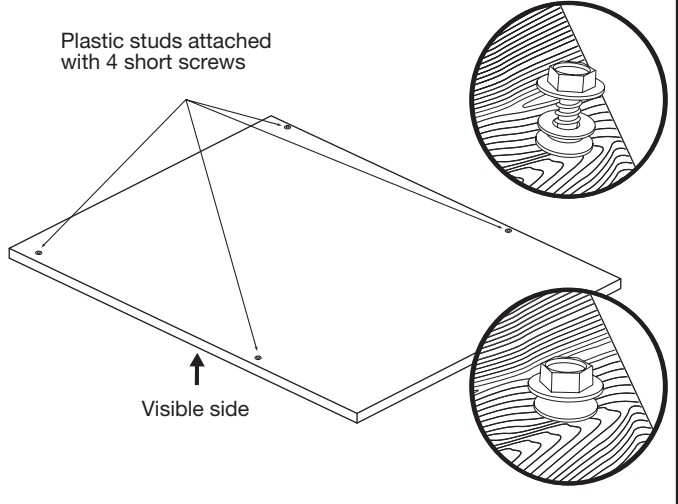


NOTE: Do not drill deeper than 5/8" (16 mm) to keep from drilling through panel. Pilot hole depths given are for 3/4" (19 mm) thick panel.

Mark 4 pilot holes on the wooden panel using the template provided. Pre-drill 4 pilot holes using a 3/32" drill bit. Use tape to mark the drill bit to gauge hole depth. Drill pilot holes approximately 5/8" (16 mm) into the custom panel.

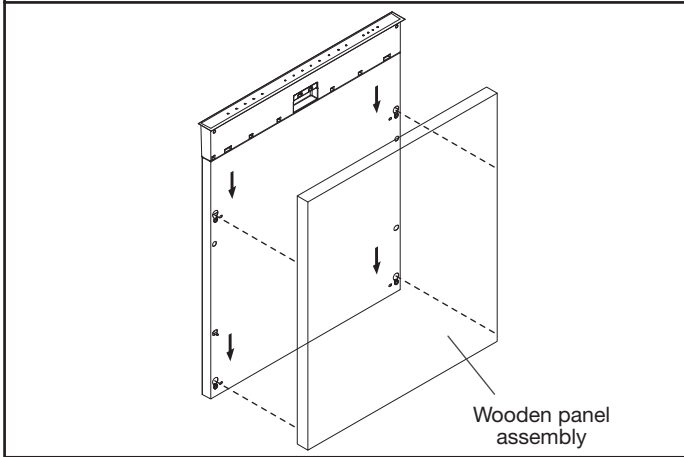
NOTE: If re-using a custom panel from a previous dishwasher, first check to make sure the overall size of the panel will work for the new application. Remove the panel from the previous product. Lay the drilling template on the new holes and ensure the holes are in the correct location. Drill the holes per the template as needed.

4. Attach plastic studs



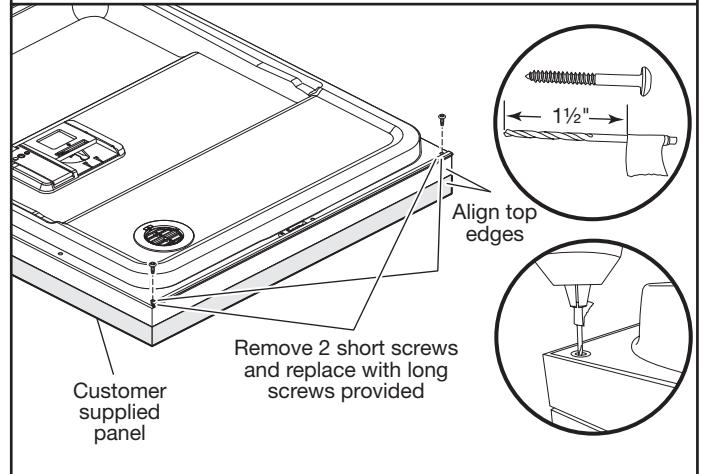
Attach the 4 plastic studs to the wooden panel using the four 5/16" hex-head (short) screws provided.

5. Attach custom panel



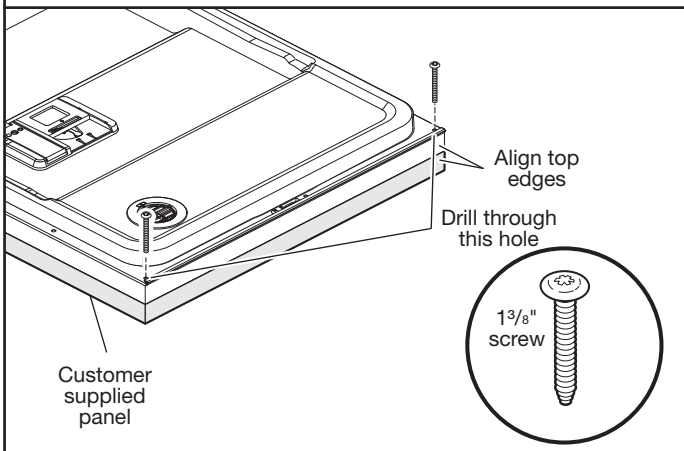
Align the studs on the custom wood panel to the keyhole slots on the door assembly. Ensure that all 4 plastic studs are engaged in the keyhole slots. Slide wood panel down until the top surface of the wooden panel is flush with the top of the door.

6. Align top edges of panel to door



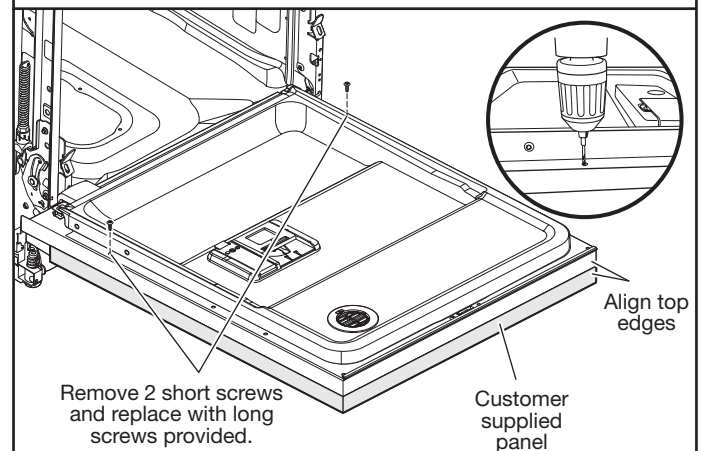
Open the door and align top edges. Use tape to mark a 3/32" drill bit to gauge the hole depth of approximately 1 1/2" (38 mm). Drill pilot holes into the top corners of the door, using hole in liner as a guide.

7. Install custom panel



Using a Torx T15 screwdriver, install two #8 x 1 3/8" (long) screws in top corners to secure custom wood panel in place.

8. Remove the short screws

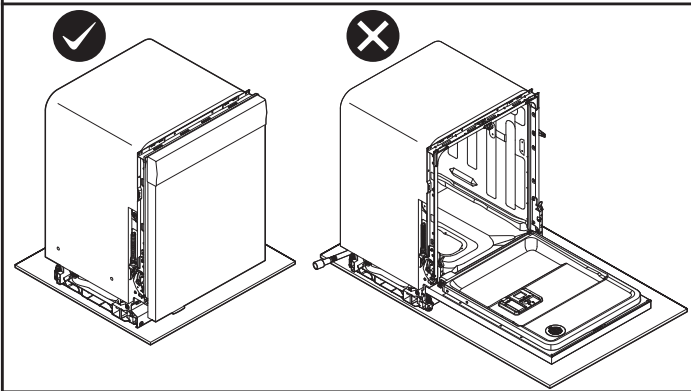


Remove the short screws (4th from top) on either side of the inner door panel. Use tape to mark a 3/32" drill bit to gauge the hole depth of approximately 1 1/2" (38 mm). Drill 2 pilot holes using the door liner hole as a guide into the panel. Install the 2 remaining long screws.

Hinge Spring Adjustment Instruction

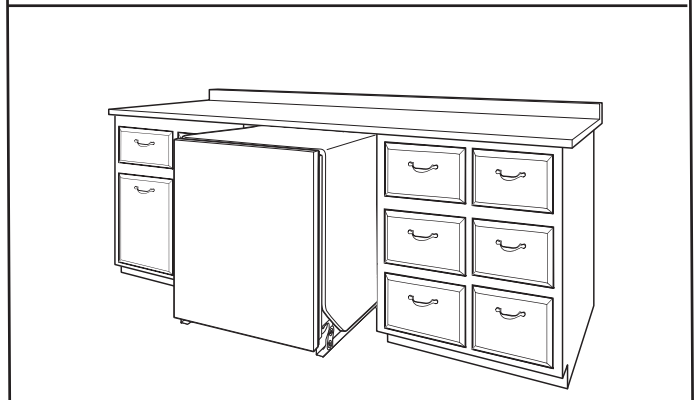
If door tension is insufficient to support the weight of the door, adjustment of the hinge spring tension may be needed.

1. Close dishwasher door



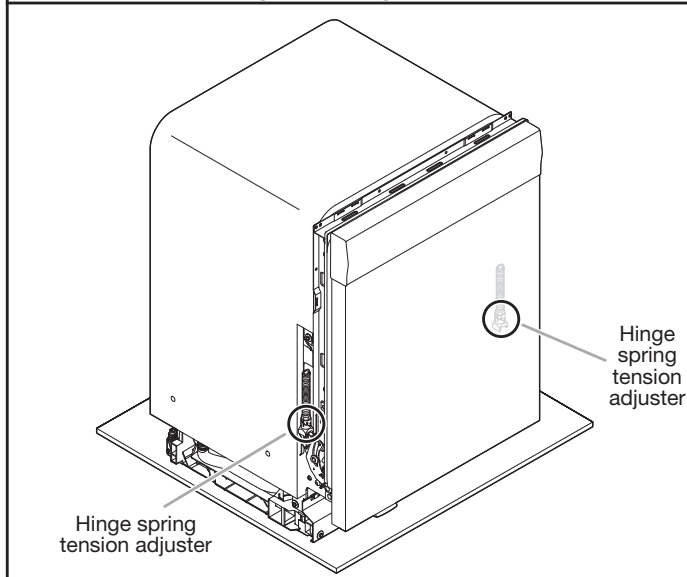
Make sure that the dishwasher door is closed at all times while hinge spring tension is being adjusted. Adjusting the hinge spring tension while the door is partially or fully open can cause damage to the hinge.

2. Remove dishwasher from the cabinet



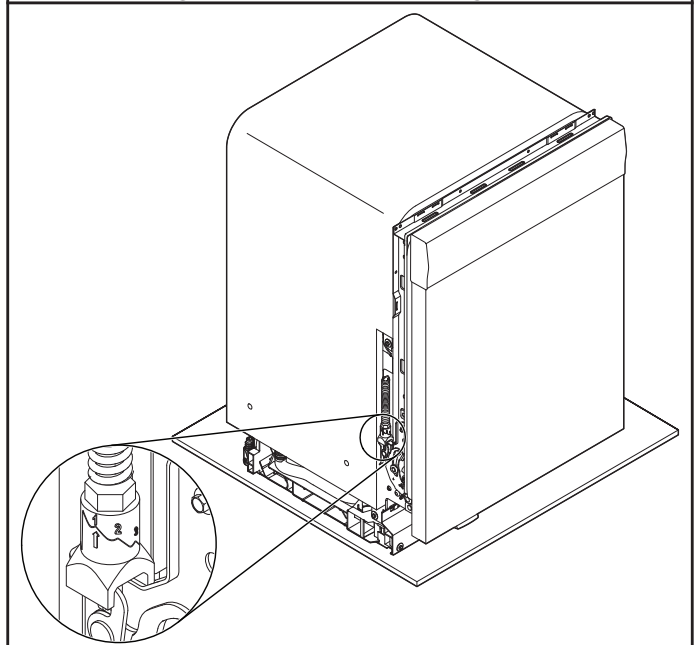
The dishwasher should be partially or fully removed from under the cabinet to grant access to the hinge spring tension adjustment mechanism.

3. Access hinge spring adjuster



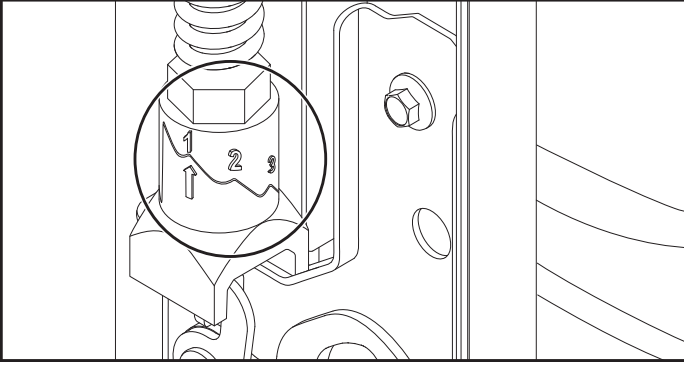
With the dishwasher partially or fully removed from the cabinet, the hinge spring tension adjusters can be accessed at the front sides of the dishwasher.

4. Spring adjustment setting



Each of the two hinges (right side and left side) have 3 different spring tension adjustments. All dishwasher models leave the factory with the hinges set in the lowest spring tension setting. This setting is suitable for lighter door panels. Heavier door panels will require adjustment of the hinge spring tension to prevent the door from falling open when its unlatched.

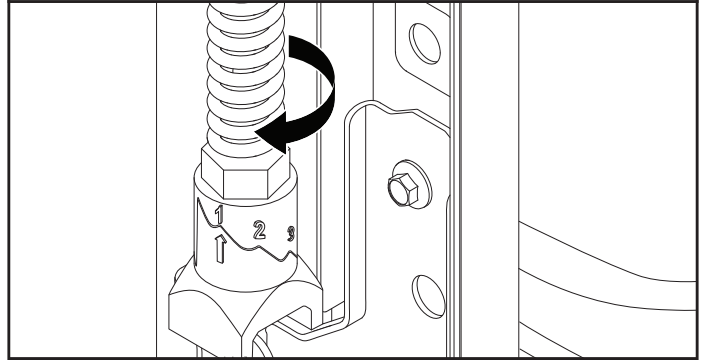
5. Three spring adjustment



Each hinge has 3 different spring tension levels that it can be set to. The current tension level is indicated by an arrow. 1 is the lowest spring tension for light doors and 3 is the highest for heavier doors. 2 is the middle tension for door panel weights that fall between heavy and light.

7. Place the dishwasher back under the cabinet to prevent it from tipping while the door is opened and closed to check for proper spring tension. If the door is too stiff, back the hinges off one step to reduce spring tension by rotating the nut counterclockwise. If the door falls open on its own, increase the spring tension by rotating the nut one step clockwise.

6. Adjusting the spring tension



Rotate the adjuster nut using a 3/4" open end wrench or adjustable wrench one or two steps in the clockwise direction when viewed from above to increase spring tension.

8. Once the desired spring tension has been set the dishwasher can be installed under the counter per the steps shown in the instruction manual.