

KitchenAid®

36" (91.4 CM) AND 48" (121.9 CM) DESIGNER COMMERCIAL-STYLE WALL-MOUNT RANGE HOOD

HOTTE À MONTAGE MURAL DE STYLE CONCEPTION COMMERCIAL 36 PO (91,4 CM) ET 48 PO (121,9 CM)

CAMPANA PURIFICADORA / EXTRACTORA, DE ESTILO COMERCIAL DE 36" (91,4 CM) Y 48" (121,9 CM)

Installation Instructions and Use and Care Guide

For questions about features, operation/performance, parts, accessories, or service, call: **1-800-422-1230**
or visit our website at **www.kitchenaid.com**.

In Canada, for assistance, installation and service, call: **1-800-807-6777**
or visit our website at **www.kitchenaid.ca**.

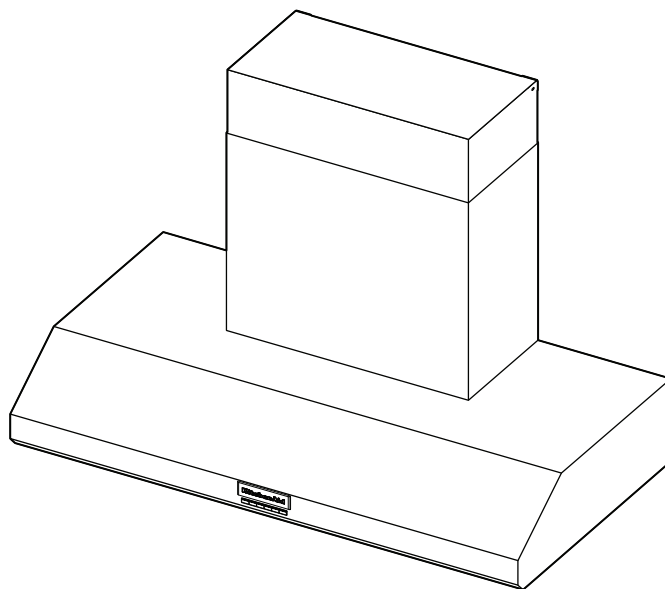
Instructions d'installation et guide d'utilisation et d'entretien

Pour des questions à propos des caractéristiques, du fonctionnement/rendement, des pièces, accessoires ou service,
composer le : **1 800 422-1230** ou visiter notre site Web au **www.kitchenaid.com**.

Au Canada, pour assistance, installation ou service, composez le : **1 800 807-6777**
ou visiter notre site Web au **www.kitchenaid.ca**.

Instrucciones de instalación y Manual de uso y cuidado

Si tiene preguntas sobre características, funcionamiento, rendimiento, piezas, accesorios o servicio técnico, llame al: **1 800 002 2767**
o visite nuestro sitio web en **www.kitchenaid.mx/servicio-y-soporte**.



IMPORTANT: READ AND SAVE THESE INSTRUCTIONS. FOR RESIDENTIAL USE ONLY.
IMPORTANT : LIRE ET CONSERVER CES INSTRUCTIONS. POUR UTILISATION RÉSIDENNELLE UNIQUEMENT.
IMPORTANTE: LEA Y GUARDE ESTAS INSTRUCCIONES. SOLO PARA USO RESIDENCIAL.

TABLE OF CONTENTS/ TABLE DES MATIÈRES/ TABLA DE CONTENIDOS

RANGE HOOD SAFETY	3	SÉCURITÉ DE LA HOTTE	18	SEGURIDAD DE LA CAMPANA DE ESTUFA	34
INSTALLATION REQUIREMENTS	4	EXIGENCES D'INSTALLATION	20	REQUISITOS DE INSTALACIÓN	36
Tools and Parts.....	4	Outils et pièces.....	20	Herramientas y piezas.....	36
Location Requirements	4	Exigences d'emplacement.....	20	Requisitos de ubicación.....	36
Venting Requirements	5	Exigences concernant l'évacuation.....	21	Requisitos de ventilación	37
Electrical Requirements	6	Spécifications électriques	22	Requisitos eléctricos	38
INSTALLATION INSTRUCTIONS	7	INSTRUCTIONS D'INSTALLATION	23	INSTRUCCIONES DE INSTALACIÓN	39
Prepare Location	7	Préparation de l'emplacement.....	23	Preparación de la ubicación	39
Install Range Hood.....	8	Installation de la hotte	24	Instalación de la campana de estufa	40
Install Range Hood Internal Blower Motor.....	8	Installation du moteur du ventilateur intégré de la hotte	24	Instalación del motor del soplador interno de la campana de estufa	40
Install Range Hood In-Line (External Type) Blower Motor.....	10	Installation du moteur du ventilateur déporté (externe) de la hotte.....	26	Instale el motor del soplador (tipo externo) en línea de la campana de estufa.....	42
Make Electrical Connections for In-Line Blower Motor System	11	Réalisation des connexions électriques du système du moteur du ventilateur en ligne	27	Haga las conexiones eléctricas para el sistema de motor del soplador en línea	43
Make Electrical Power Supply Connection to Range Hood	12	Connexion de l'alimentation électrique à la hotte.....	28	Hacer las conexiones al suministro eléctrico de la campana de estufa.....	44
Install Chimney Covers	13	Installer les cache-cheminée	29	Instalación de las cubiertas para chimenea.....	45
Complete Installation and Check Operation	13	Achever l'installation et vérifier le fonctionnement.....	29	Completar la instalación y verificar el funcionamiento	45
RANGE HOOD USE	14	UTILISATION DE LA HOTTE	30	USO DE LA CAMPANA DE ESTUFA	46
Range Hood Controls	14	Commandes de la hotte.....	30	Controles de la campana de estufa.....	46
RANGE HOOD CARE	15	ENTRETIEN DE LA HOTTE	31	QUEDADO DE LA CAMPANA DE ESTUFA	47
Cleaning	15	Nettoyage	31	Limpieza	47
WIRING DIAGRAM	16	SCHÉMA DE CÂBLAGE	32	DIAGRAMA DE CABLEADO	48
ASSISTANCE OR SERVICE	17	ASSISTANCE OU DÉPANNAGE	33	AYUDA O SERVICIO TÉCNICO	49
In the U.S.A.	17	Aux É.-U.	33	En México.....	49
In Canada	17	Au Canada.....	33		

Comercializado por

Whirlpool México, S. de R.L. de C.V.
Antigua Carretera a Roma Km 9 S/N
Col. El Milagro, Apodaca, N.L., México,
C.P. 66634. RFC WME8709287L5

Importer / Importateur / Importador

CANADA:

Whirlpool Canada LP, Mississauga,
Ontario L5N 0B7

U.S.A.:

Whirlpool Corporation, U.S.A., Benton Harbor, MI 49022

COLOMBIA:

Whirlpool Colombia S.A.S.

Nit:830010181-9

Calle 99# 10-19 P6 Cantidad: 1 unidad



MR



RANGE HOOD SAFETY

Your safety and the safety of others are very important.

We have provided many important safety messages in this manual and on your appliance. Always read and obey all safety messages.



This is the safety alert symbol.

This symbol alerts you to potential hazards that can kill or hurt you and others.

All safety messages will follow the safety alert symbol and either the word "DANGER" or "WARNING." These words mean:

⚠ DANGER

You can be killed or seriously injured if you don't immediately follow instructions.

⚠ WARNING

You can be killed or seriously injured if you don't follow instructions.

All safety messages will tell you what the potential hazard is, tell you how to reduce the chance of injury, and tell you what can happen if the instructions are not followed.

IMPORTANT SAFETY INSTRUCTIONS

WARNING: TO REDUCE THE RISK OF FIRE, ELECTRIC SHOCK, OR INJURY TO PERSONS, OBSERVE THE FOLLOWING:

- Use this unit only in the manner intended by the manufacturer. If you have questions, contact the manufacturer.
- Before servicing or cleaning the unit, switch power off at service panel and lock the service disconnecting means to prevent power from being switched on accidentally. When the service disconnecting means cannot be locked, securely fasten a prominent warning device, such as a tag, to the service panel.
- Installation work and electrical wiring must be done by qualified person(s) in accordance with all applicable codes and standards, including fire-rated construction.
- Do not operate any fan with a damaged cord or plug. Discard fan or return to an authorized service facility for examination and/or repair.
- Sufficient air is needed for proper combustion and exhausting of gases through the flue (chimney) of fuel burning equipment to prevent backdrafting. Follow the heating equipment manufacturer's guideline and safety standards such as those published by the National Fire Protection Association (NFPA), the American Society for Heating, Refrigeration and Air Conditioning Engineers (ASHRAE), and the local code authorities.
- When cutting or drilling into wall or ceiling, do not damage electrical wiring and other hidden utilities.
- Ducted fans must always be vented outdoors.

CAUTION: For general ventilating use only. Do not use to exhaust hazardous or explosive materials and vapors.

CAUTION: To reduce risk of fire and to properly exhaust air, be sure to duct air outside - do not vent exhaust air into spaces within walls or ceilings, attics or into crawl spaces, or garages.

WARNING: TO REDUCE THE RISK OF FIRE, USE ONLY METAL DUCTWORK.

WARNING: TO REDUCE THE RISK OF A RANGE TOP GREASE FIRE:

- Never leave surface units unattended at high settings. Boilovers cause smoking and greasy spillovers that may ignite. Heat oils slowly on low or medium settings.
- Always turn hood ON when cooking at high heat or when flambeing food (i.e. Crepes Suzette, Cherries Jubilee, Peppercorn Beef Flambé).
- Clean ventilating fans frequently. Grease should not be allowed to accumulate on fan or filter.
- Use proper pan size. Always use cookware appropriate for the size of the surface element.

WARNING: TO REDUCE THE RISK OF INJURY TO PERSONS IN THE EVENT OF A RANGE TOP GREASE FIRE, OBSERVE THE FOLLOWING:^a

- SMOTHER FLAMES with a close fitting lid, cookie sheet, or metal tray, then turn off the burner. BE CAREFUL TO PREVENT BURNS. If the flames do not go out immediately, EVACUATE AND CALL THE FIRE DEPARTMENT.
- NEVER PICK UP A FLAMING PAN - you may be burned.
- DO NOT USE WATER, including wet dishcloths or towels - a violent steam explosion will result.
- Use an extinguisher ONLY if:
 - You know you have a class ABC extinguisher, and you already know how to operate it.
 - The fire is small and contained in the area where it started.
 - The fire department is being called.
 - You can fight the fire with your back to an exit.

^aBased on "Kitchen Fire Safety Tips" published by NFPA.

- **WARNING:** To reduce the risk of fire or electrical shock, do not use this fan with any solid-state speed control device.

READ AND SAVE THESE INSTRUCTIONS

INSTALLATION REQUIREMENTS

Tools and Parts

Gather the required tools and parts before starting installation. Read and follow the instructions provided with any tools listed here.

NOTE: This range hood is recommended for use with cooking surfaces according to the following:

36" (91.4 cm) or 48" (122 cm) range hoods with 1 motor (585 CFM) to be paired with maximum total rating of 90,000 BTU.

36" (91.4 cm) or 48" (122 cm) range hoods with 2 motors (1170 CFM) to be paired with maximum total rating of 105,000 BTU.

Tools needed

- Level
- Drill
- 1¹/₄" (3 cm) drill bit
- 3/32" (2.4 mm) drill bit if installing into wood
- Pencil
- Wire stripper or utility knife
- Tape measure or ruler
- Pliers
- Caulking gun and weatherproof caulking compound
- Vent clamps
- Jigsaw or keyhole saw
- Flat-blade screwdriver
- Metal snips
- Phillips screwdriver
- Scissors

Parts needed

- Home power supply cable
- 1/2" (1.3 cm) UL listed or CSA approved strain relief
- Three UL listed wire connectors
- One wall or roof cap
- Metal vent system
- Two 175 W max heat lamp bulbs
- Blower motor system—internal or external

Parts supplied

Remove parts from packages. Check that all parts are included.

- Two metal grease filters for 36" (91.4 cm) models
Three metal grease filters for 48" (121.9 cm) models
- Two vent cover support brackets
- Two 4.5 x 13 mm screws
- Two 10 x 50 mm mounting screws
- Two 8 x 40 mm mounting screws
- Two D5.3 x 20 mm washers
- Four 5 x 45 mm screws
- Six 4.2 x 8 mm screws
- T-20® TORX®† adapter

Location Requirements

IMPORTANT: Observe all governing codes and ordinances.

Have a qualified technician install the range hood. It is the installer's responsibility to comply with installation clearances specified on the model/serial rating plate. The model/serial rating plate is located inside the range hood on the rear wall of the range hood.

Range hood location should be away from strong draft areas, such as windows, doors, and strong heating vents.

Cabinet opening dimensions that are shown must be used. Given dimensions provide minimum clearance.

The range hood is factory set for venting through the roof or through the wall.

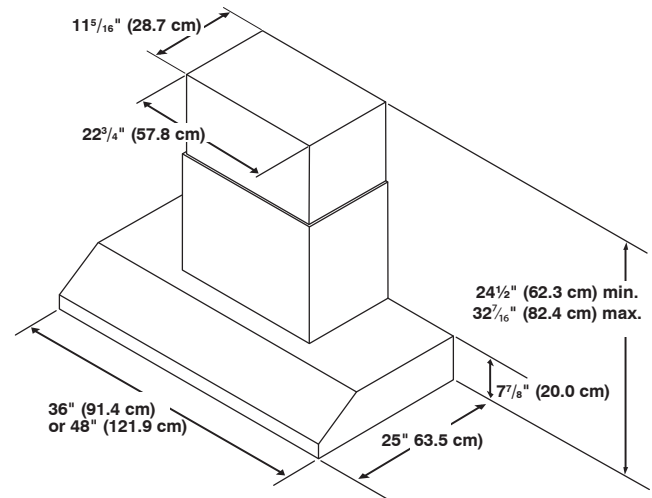
All openings in ceiling and wall where range hood will be installed must be sealed.

For Mobile Home Installations

The installation of this range hood must conform to the Manufactured Home Construction Safety Standards, Title 24 CFR, Part 328 (formerly the Federal Standard for Mobile Home Construction and Safety, Title 24, HUD, Part 280) or when such standard is not applicable, the standard for Manufactured Home Installation 1982 (Manufactured Home Sites, Communities and Setups) ANSI A225.1/NFPA 501A, or latest edition, or with local codes.

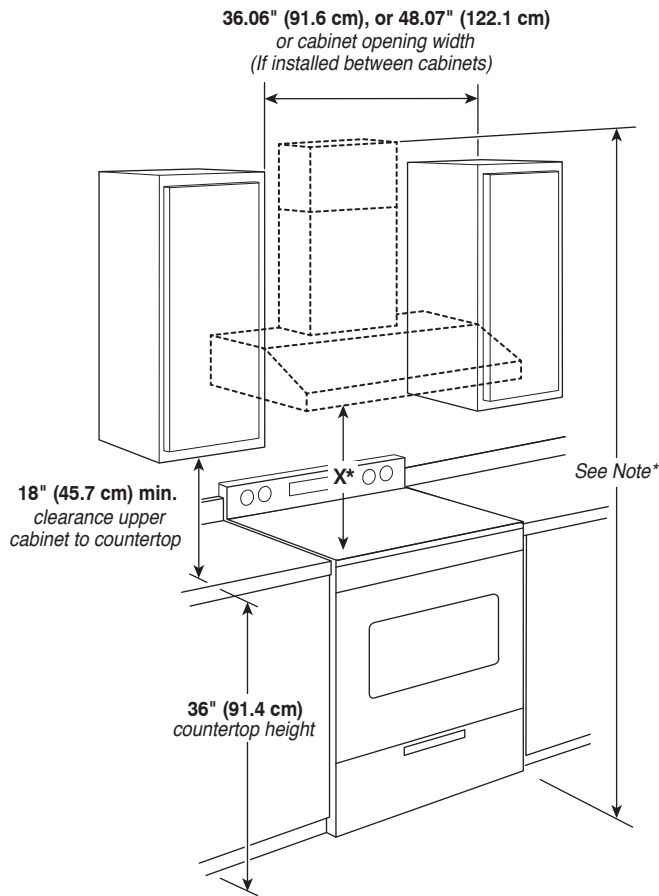
Product Dimensions

Vented Installations



†TORX® and T20® are registered trademarks of Acument Intellectual Properties, LLC.

Installation Dimensions



***NOTE:** The range hood chimneys are adjustable and designed to meet varying ceiling or soffit heights depending on the distance “X” between the bottom of the range hood and the cooking surface. For higher ceilings, a Chimney Extension Kit is available from your dealer or an authorized parts distributor. The chimney extension replaces the upper chimney shipped with the range hood. See the “Assistance or Service” section to order.

IMPORTANT:

Minimum distance “X”: 24" (61 cm) from electric cooking surfaces

Minimum distance “X”: 30" (76.2 cm) from gas cooking surfaces

The chimneys can be adjusted for ceilings between 8' 2³/₈" (2.5 m) and 8' 10⁵/₁₆" (2.7 m) when mounted at 30" (76.2 cm) height over a gas cooking surface.

The chimneys can be adjusted for ceilings between 7' 8³/₈" (2.4 m) and 8' 4⁵/₁₆" (2.55 m) when mounted at 24" (61 cm) height over electric cooking surface.

Venting Requirements

- Vent system must terminate to the outdoors.
- Do not terminate the vent system in an attic or other enclosed area.
- Do not use 4" (10.2 cm) laundry-type wall caps.
- Use metal vent only. Rigid metal vent is recommended. Plastic or metal foil vent is not recommended.
- The length of vent system and number of elbows should be kept to a minimum to provide efficient performance.

For the most efficient and quiet operation:

- Use no more than three 90° elbows.
- Make sure there is a minimum of 24" (61.0 cm) of straight vent between the elbows if more than one elbow is used.
- Do not install two elbows together.
- Use clamps to seal all joints in the vent system.
- The vent system must have a damper. If the roof or wall cap has a damper, do not use the damper supplied with the range hood.
- Use caulking to seal exterior wall or roof opening around the cap.
- The size of the vent should be uniform.

Cold weather installations

An additional back draft damper should be installed to minimize backward cold air flow, and a thermal break should be installed to minimize conduction of outside temperatures as part of the vent system. The damper should be on the cold air side of the thermal break.

The break should be as close as possible to where the vent system enters the heated portion of the house.

Makeup air

Local building codes may require the use of makeup air systems when using ventilation systems greater than specified CFM of air movement. The specified CFM varies from locale to locale.

Consult your HVAC professional for specific requirements in your area.

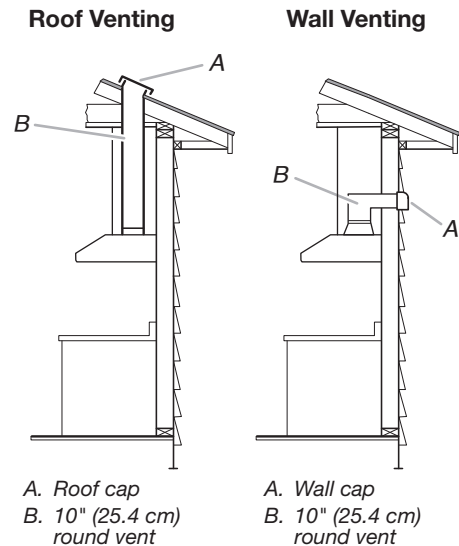
Venting Methods

Typical Internal Blower Motor System Venting Installations

A 10" (25.4 cm) round vent system is needed for installation (not included). The range hood exhaust opening is 10" (25.4 cm) round.

NOTE: Flexible vent is not recommended. Flexible vent creates back pressure and air turbulence that greatly reduce performance.

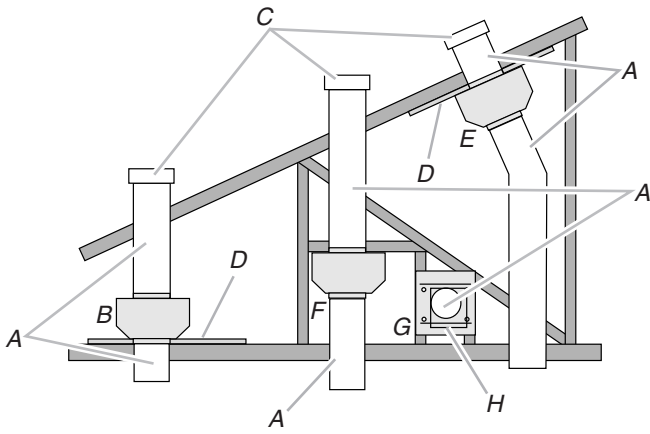
Vent system can terminate either through the roof or wall. To vent through the wall, a 90° elbow is needed.



A. Roof cap
B. 10" (25.4 cm) round vent

A. Wall cap
B. 10" (25.4 cm) round vent

Typical In-line Blower Motor System Venting Installations



- A. 10" (25.4 cm) round vent
- B. Mount on top of ceiling joists
- C. Roof caps
- D. Plywood (optional on some installations)
- E. Mount on underside of roof rafters
- F. Mount from cross-members tied to trusses
- G. Duct horizontal; mount to cross-members tied to trusses
- H. Wall cap

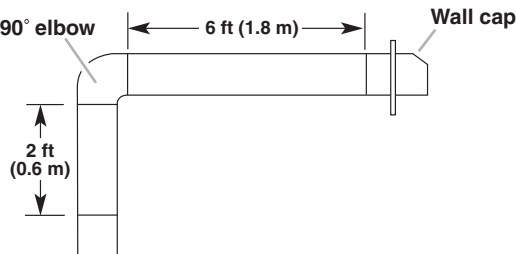
Calculating Vent System Length

To calculate the length of the system you need, add the equivalent feet (meters) for each vent piece used in the system.

Vent Piece	Equivalent Length	
45° elbow	2.5' (0.8 m)	
90° elbow	5.0' (1.5 m)	

The maximum equivalent vent lengths are:
10" (25.4 cm) round vent - 60' (18.3 m)

Example vent system



The following example falls within the maximum recommended vent length.

One 90° elbow	= 5.0 ft (1.5 m)
One wall cap	= 0.0 ft (0.0 m)
8 ft (2.4 m) straight	= 8.0 ft (2.4 m)
Length of system	= 13.0 ft (3.9 m)

Electrical Requirements

Observe all governing codes and ordinances.

Ensure that the electrical installation is adequate and in conformance with National Electrical Code, ANSI/NFPA 70 (latest edition), or CSA Standards C22.1-94, Canadian Electrical Code, Part 1 and C22.2 No. 0-M91 (latest edition) and all local codes and ordinances.

If codes permit and a separate ground wire is used, it is recommended that a qualified electrician determine that the ground path is adequate.

A copy of the above code standards can be obtained from:

National Fire Protection Association
1 Batterymarch Park Quincy,
MA 02269-7471

CSA International 8501
East Pleasant Valley Road
Cleveland, OH 44131-5575

- A 120 V ~, 60 Hz, 463 W, AC only, 3.8 A, fused electrical circuit is required.
- If the house has aluminum wiring, follow the procedure below:

Connect the aluminum wiring using special connectors and/or tools designed and UL listed for joining copper to aluminum.

Follow the electrical connector manufacturer's recommended procedure. Aluminum/copper connection must conform with local codes and industry accepted wiring practices.

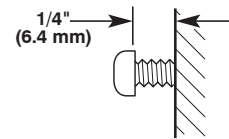
- Wire sizes and connections must conform with the rating of the appliance as specified on the model/serial rating plate. The model/serial plate is located behind the filter on the rear wall of the range hood.
- Wire sizes must conform to the requirements of the National Electrical Code, ANSI/NFPA 70 (latest edition), or CSA Standards C22.1-94, Canadian Electrical Code, Part 1 and C22.2 No. 0-M91 (latest edition) and all local codes and ordinances.

INSTALLATION INSTRUCTIONS

Prepare Location

- It is recommended that the vent system be installed before range hood is installed.
 - Before making cutouts, make sure there is proper clearance within the ceiling or wall for exhaust vent.
 - Range hood is to be installed 24" (61.0 cm) minimum for electric cooking surfaces, 30" (76.2 cm) minimum for gas cooking surfaces, to a suggested maximum of 36" (91.4 cm) above the cooking surface.
 - Check your ceiling height and the range hood height maximum before you select your range hood.
1. Disconnect power.
 2. Determine which venting method to use: roof or wall.
 3. Select a flat surface for assembling the range hood. Place covering over that surface.

3. Drill 3/32" (2.4 mm) pilot holes for installation into wood. The screws provided for mounting this range hood must be fastened into solid wood. Do not fasten only into sheet rock.
IMPORTANT: All screws must be installed into wood. If there is no wood to screw into, additional wall framing supports may be required.
4. Install the 5 x 45 mm mounting screws. Leave a 1/4" (6.4 mm) gap between the wall and the back of the screw head to slide range hood into place.



5. Remove the template.

WARNING

Excessive Weight Hazard

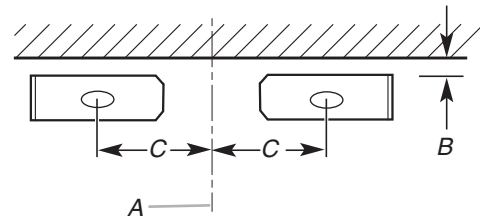
Use two or more people to move and install range hood.

Failure to do so can result in back or other injury.

Chimney Support Bracket Installation

4. Using two or more people, lift range hood onto covered surface.

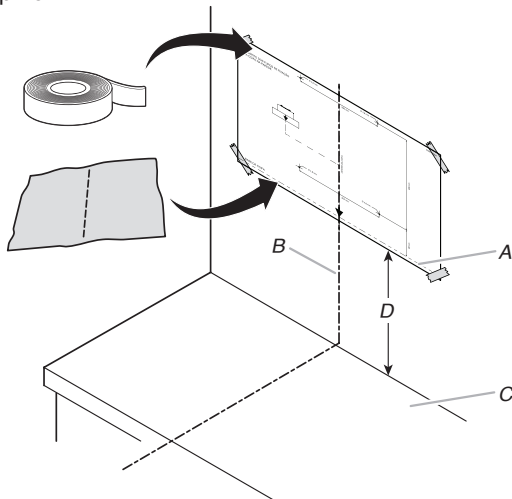
1. Place two of the chimney brackets against the wall so that their top edges are 1/16" (1.6 mm) from the ceiling or soffit and level. Mark holes.



- A. Vertical centerline
- B. 1/16" (1.6 mm)
- C. 10⁹/₁₆" (26.9 cm)

Range Hood Mounting Screws Installation

1. Determine and mark the centerline on the wall where the range hood will be installed.
2. Based on the ceiling or soffit height, determine the distance "X" (24" [61.0 cm] minimum from electric cooking surface or 30" [76.2 cm] minimum to gas cooking surface, suggested 36" [91.4 cm] maximum) needed between the cooking surface and the bottom of the range hood. Paste installation template on the wall, taking as reference the minimum distance between cooking surface. As is shown in the graphic.



- A. Horizontal line
- B. Vertical centerline
- C. Cooking surface
- D. Distance "X" (24" [61.0 cm] min. from electric cooking surface, 30" [76.2 cm] min. from gas cooking surface, suggested 36" [91.4 cm] max.) + 17¹/₈" (43.5 cm)

2. Drill pilot holes.
 - If installing into wood, drill four 3/32" (2.4 mm) pilot holes.
3. Attach each bracket to the wall with a 4.2 x 9.5 cm mounting screw. Tighten screws securely.

Complete Preparation

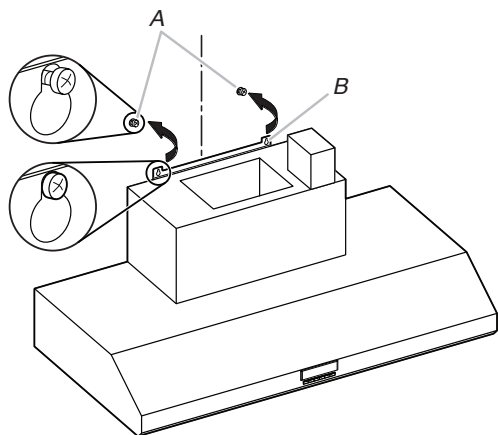
1. Determine and make all necessary cuts in the wall for the vent system. Install the vent system before installing the range hood. See the "Venting Requirements" section.
2. Determine the location where the power supply cable will be run through the wall. Be sure that the location will be covered by the chimney of the range hood.
3. Drill a 1 1/4" (3.2 cm) hole at this location.
4. Pull enough power supply cable through the wall to allow for easy connection to the terminal box.

NOTE: Your range hood requires you to purchase either an internal type or an in-line (external type) blower motor system.

For internal blower systems, there are blower motor mounting parts in the blower motor installation packet that must be added to the range hood prior to mounting the range hood to the wall. See the "Install Range Hood Internal Blower Motor" section and the instructions supplied with the blower motor.

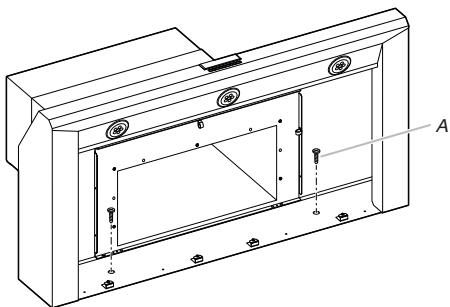
Install Range Hood

1. Using two or more people, hang range hood on two mounting screws through the mounting slots on back of range hood.



A. Mounting screws
B. Mounting slots

2. Level the range hood and tighten upper mounting screws.
3. Install two 5 x 45 mm lower mounting screws and tighten.



A. Lower-mounting screws

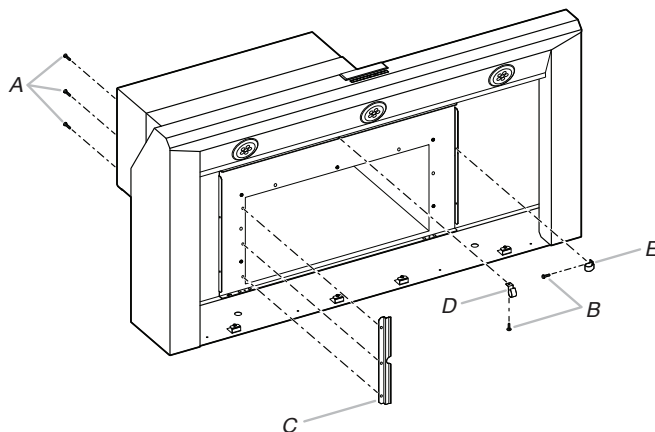
Install Range Hood Internal Blower Motor

NOTE: Your range hood requires you to purchase either an internal type or an in-line (external type) blower motor system.

Prepare the Internal Blower System

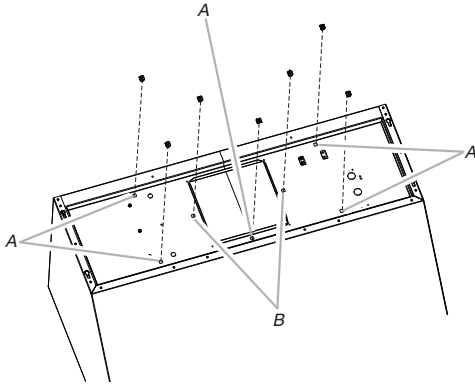
IMPORTANT: Perform steps 1-4 before mounting the range hood.

1. Remove grease filters from range hood. See the "Range Hood Care" section.
2. Install the motor support bracket using three 4.2 x 8 mm screws. Screw bracket to the inside top or back (alternate location on some models), toward the left side of the range hood.
3. Install motor spring clip using two 4.2 x 8 mm screws. Screw spring clip to the inside top or back (alternate location on some models) of the range hood at the proper location for the selected motor system. Slide the mounting tab of the spring clip through the slot in the panel and secure with the screws. Use the inside set of mounting holes for the single motor system. Use the outside set of mounting holes for the dual motor system.



A. 4.2 x 8 mm screws (3) for motor support bracket
B. 4.2 x 8 mm screws (2) for motor spring clip
C. Motor support bracket
D. Motor spring clip (single motor assembly location)
E. Motor spring clip (dual motor assembly location)

4. Install the 6 mm nuts to the outside top or outside back (alternate location on some models) of the range hood at the proper location for the selected motor system.
 - Two 6 mm nuts are required for the single motor system. Clip nuts into the small square notches located at the left and right end of the square vent opening.
 - Five 6 mm nuts are required for the dual motor system. Clip nuts into the small square notches, one located in the front of the square vent opening and the other four located at the left and right ends of the square vent opening.



A. Clip nut locations for dual motor assembly (5)
B. Clip nut locations for single motor assembly (2)

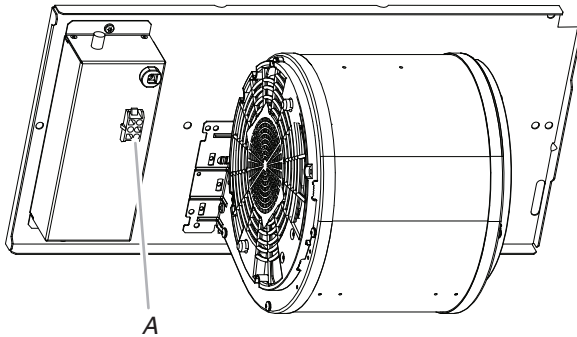
5. Mount range hood. See the “Install Range Hood” section.

Install Range Hood Internal Blower Motor

IMPORTANT: The blower has to be installed before installing the hood to the wall.

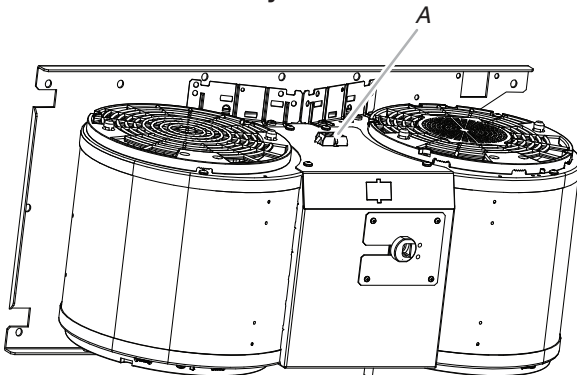
1. Install the range hood blower motor assembly inside the range hood with the wiring connection to the left for the single motor system and to the front or top for the dual motor system.

Single Blower Motor Assembly



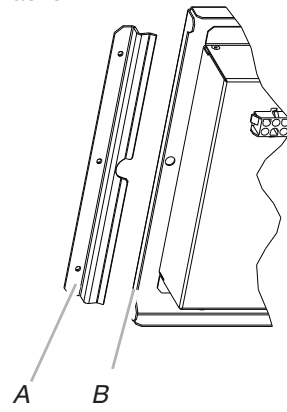
A. Wiring connection

Dual Blower Motor Assembly



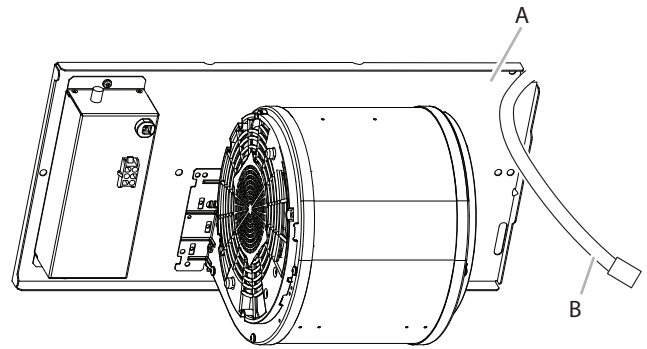
A. Wiring connection

2. Slide the left mounting plate flange under the motor mounting bracket.



A. Motor mounting bracket
B. Mounting plate left flange

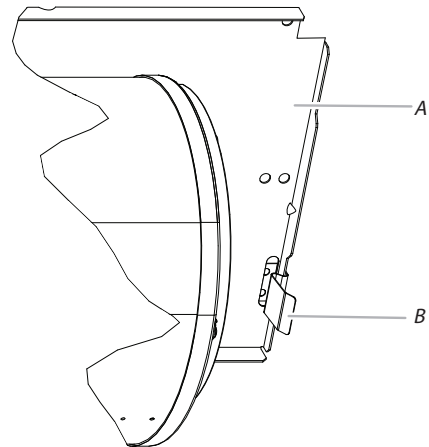
3. Run the power supply wires and connector from the range hood through the hole in the right end of the motor mounting plate.



A. Motor mounting plate
B. Power supply wires and connector

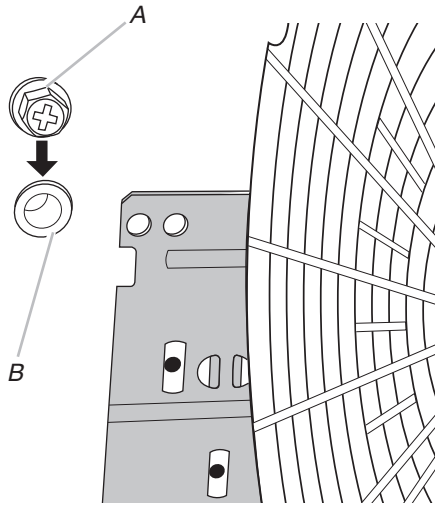
4. Push the right end of the motor mounting plate up and snap it into the spring tab.

NOTE: The spring tab should be outside the slot in the mounting plate.



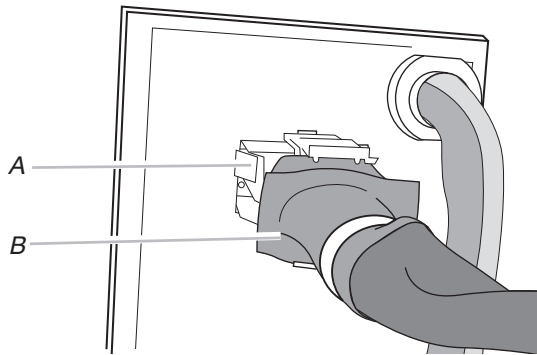
A. Motor mounting plate
B. Spring clip

5. Align mounting holes and install 6 x 16 mm screws and 6.4 mm lock washers.



A. Screw with lock washer
B. Mounting hole

6. Attach power supply connector from the range hood to the connector on the blower motor assembly wiring box.



A. Wiring box connector
B. Power supply connector from range hood

7. Go to the "Make Electric Power Supply Connection to Range Hood" section.

Install Range Hood In-Line (External Type) Blower Motor

NOTE: Your range hood requires you to purchase either an internal type or an in-line (external type) blower motor system.

Prepare for Mounting the In-Line Blower System

The in-line blower system must be fastened to a secure structure of the roof, ceiling, wall, floor, or new or existing frame construction. The four holes on either the inlet (bottom) side or the outlet (top) side of the blower must be used to mount the in-line blower system to the structure.

NOTE: The mounting hole locations must span the studs. Additional stud framing may be required. Plywood may be used to span open areas between ceiling joists or roof rafters to aid installation. This structure must be strong enough to support the weight of the in-line blower system (50 lb [22.6 kg] minimum).

Prepare the In-line Blower System

⚠ WARNING

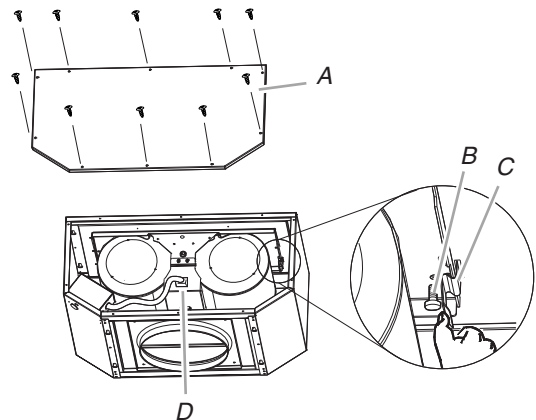
Excessive Weight Hazard

Use two or more people to move and install in-line blower motor system.

Failure to do so can result in back or other injury.

- Using two or more people, move the in-line blower motor system to the mounting location.
- Remove the 10 screws from the front cover of the in-line blower motor housing and set them aside.
- Remove the front cover of the in-line blower motor housing and set it aside.

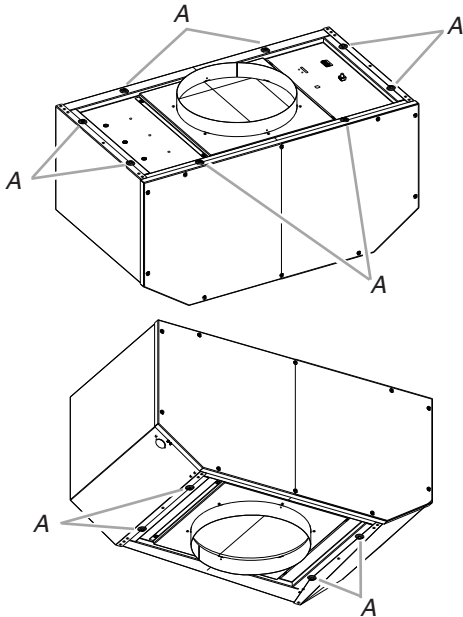
NOTE: To make the blower motor housing easier to mount, the blower motor assembly can be removed. If you do not want to remove the blower motor assembly, proceed to "Install In-line Blower System" in this section.
- Disconnect the motor electrical plug from the blower motor assembly.
- Remove the screws that secure the blower motor assembly to the in-line blower housing and set them aside.
- Pull the spring clip to release the blower motor assembly. Remove the blower motor assembly from the housing and place it on a covered surface.



A. Front cover
B. Blower mounting screws
C. Spring clip
D. Motor electrical plug

Install In-line Blower System

NOTE: The blower motor housing can be mounted using four holes from either the inlet side or the outlet side of the blower.

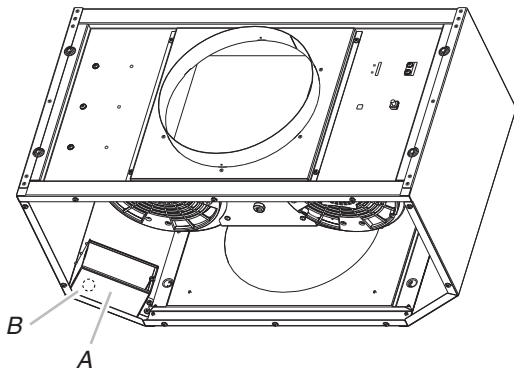


A. Mounting holes

1. Position the in-line blower motor housing in its mounting location and mark the four mounting hole locations.
2. Drill four mounting pilot holes using a 3/16" (4.8 mm) drill bit.
3. Attach the in-line blower motor housing to the mounting location with four 6 x 80 mm mounting screws and washers.
4. If it is removed, reinstall the blower motor assembly and secure it with the screws previously removed.
5. If it is removed, reattach the motor electrical plug to the connector on the blower motor assembly.

Complete Preparation

1. Determine and make all necessary cuts for the vent system.
IMPORTANT: When cutting or drilling into the ceiling or wall, do not damage electrical wiring or other hidden utilities.
2. Determine the location where the 1/2" (1.3 cm) wiring conduit will be routed through the ceiling or wall between the in-line blower and the range hood.
3. Drill a 1 1/4" (3.2 cm) hole at this location.
4. Locate the electrical terminal boxes in the in-line blower housing and range hood. Remove the terminal box covers and set the covers and screws aside.



A. Electrical terminal box
B. Electrical knockout

5. Remove the electrical knockout from the in-line blower housing and range hood to prepare for the installation of the UL listed or CSA approved 1/2" (1.3 cm) wiring conduit and conduit connector.
6. With the range hood mounted (see the "Install Range Hood" section), run the 1/2" (1.3 cm) wiring conduit between the in-line blower motor housing and the range hood. Pull enough 1/2" (1.3 cm) wiring conduit to allow for easy connection to the terminal boxes in the in-line blower housing and range hood.
7. Run the six 18 AWG wires through the 1/2" (1.3 cm) wiring conduit and conduit connectors and into the terminal boxes on the in-line blower housing and range hood. Leave enough wire length in each terminal box to make the wiring connections.
8. Install the conduit connectors and conduit to the in-line blower housing and range hood electrical terminal boxes.
9. Connect the vent system to the range hood and in-line blower system and seal all joints with clamps.

Make Electrical Connections for In-Line Blower Motor System

⚠ WARNING



Electrical Shock Hazard

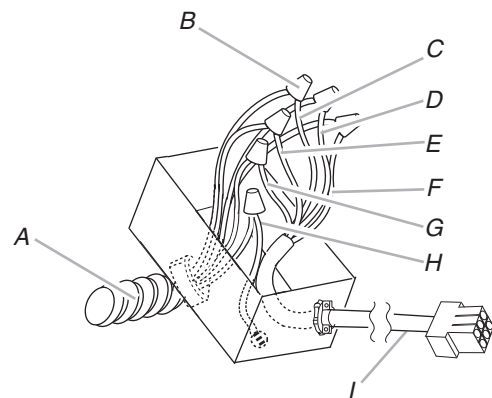
Disconnect power before servicing.

Replace all parts and panels before operating.

Failure to do so can result in death or electrical shock.

Electrical Connection Inside In-line Blower System

1. Disconnect power.
2. Connect the wires from the wiring conduit to the wires from the motor electrical plug cable inside the in-line blower housing terminal box.




- | | |
|---|---|
| A. UL listed or CSA approved 1/2" (1.3 cm) wiring conduit | F. Blue wires |
| B. UL listed wire connectors | G. Gray wires |
| C. Black wires | H. Green (or yellow/green) and green/yellow wires |
| D. White wires | I. Motor electrical plug cable |
| E. Red wires | |

3. Use UL listed wire connectors and connect the black wires (C) together.
4. Use UL listed wire connectors and connect the white wires (D) together.

- Use UL listed wire connectors and connect the red wires (E) together.
- Use UL listed wire connectors and connect the blue wires (F) together.
- Use UL listed wire connectors and connect the gray wires (G) together.

⚠ WARNING



Electrical Shock Hazard

Electrically ground blower.

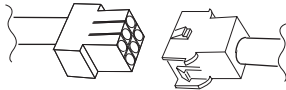
Connect ground wire to green and yellow ground wire in terminal box.

Failure to do so can result in death or electrical shock.

- Connect the green (or yellow/green) ground wire to the green/yellow ground wire (H) in the terminal box using UL listed wire connectors.
- Reinstall the in-line blower terminal box cover and screw.
- Reinstall the front cover of the in-line blower housing and secure it with 10 mounting screws.

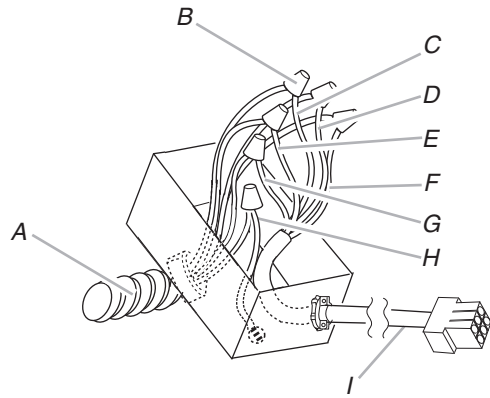
Electrical Connection Inside Range Hood Between In-line Blower System and Range Hood

- With the range hood mounted (see the “Install Range Hood” section), locate the wiring cable connector inside the range hood.
- Connect the 6-wire connector assembly supplied with the in-line blower motor system to the mating cable connector from the range hood.



- Locate the terminal box inside the range hood and install a 1/2" (1.3 cm) UL listed or CSA approved strain relief (see “Complete Preparation” in the “Prepare Location” section).
- Run the wire ends from the 6-wire connector assembly through the 1/2" (1.3 cm) strain relief, leaving enough wire length to make the wiring connections. Tighten the strain relief screws.
- Connect the wires from the six-wire connector assembly to the wires from the wiring conduit inside the range hood terminal box.
- Connect the same color wires to each other (black to black, white to white, etc.) using UL listed wire connectors.

NOTE: Connect the green (or green/yellow) ground wire from the wiring conduit to the green (or bare) ground wire from the home power supply using UL listed wire connectors (see the “Make Electrical Power Supply Connection to Range Hood” section).




- | | |
|---|---|
| A. UL listed or CSA approved 1/2" (1.3 cm) wiring conduit | F. Blue wires |
| B. UL listed wire connectors | G. Gray wires |
| C. Black wires | H. Green (or yellow/green) and green/yellow wires |
| D. White wires | I. Motor electrical plug cable |
| E. Red wires | |

- Go to “Make Electrical Power Supply Connection to Range Hood” section.

Make Electrical Power Supply Connection to Range Hood

⚠ WARNING



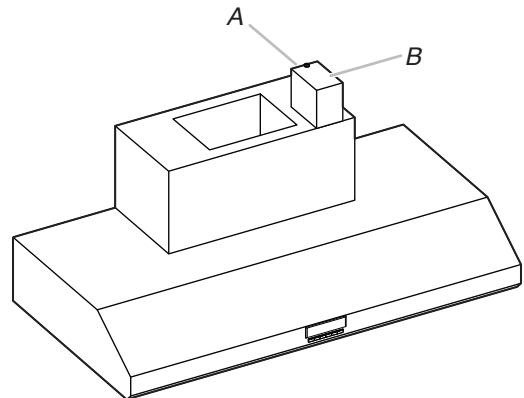
Electrical Shock Hazard

Disconnect power before servicing.

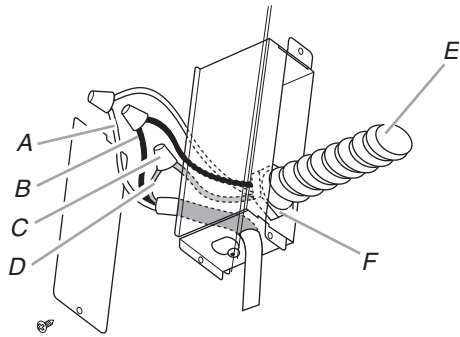
Replace all parts and panels before operating.

Failure to do so can result in death or electrical shock.

- Disconnect power.
- Locate terminal box on top of the range hood.



- A. Knockout in back of terminal box
 B. Top of terminal box



- A. White wires
- B. Black wires
- C. UL listed wire connectors
- D. Green, bare or yellow/green wires
- E. Home power supply
- F. UL listed or CSA approved 1/2" (1.3 cm) strain relief

3. Use UL listed wire connectors and connect black wires (B) together.
4. Use UL listed wire connectors and connect white wires (A) together.

⚠ WARNING



Electrical Shock Hazard

Electrically ground blower.

Connect ground wire to green and yellow ground wire in terminal box.

Failure to do so can result in death or electrical shock.

NOTE: When using an in-line blower motor system, the green (or green/yellow) ground wire in the conduit from the in-line blower motor system is to be connected with the green (or bare) wire of the home power supply cable and with the green/yellow wire (D) in the terminal box.

5. Connect green (or bare) ground wire from home power supply to the green/yellow ground wire (D) in terminal box using UL listed wire connectors.
6. Install terminal box cover.
7. Check that all light bulbs are secure in their sockets.
8. Reconnect power.

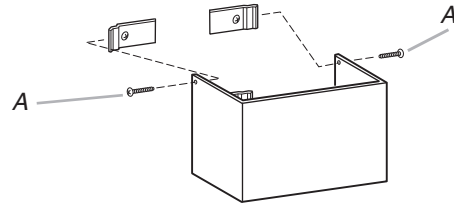
Install Chimney Covers

Connect the vent system and seal all connections with clamps.

Install Upper Chimney Cover

1. Slightly spread the sides of the cover apart and hook them behind the chimney mounting brackets.
2. Attach the cover to the brackets with 2 - 4.2 x 8 mm screws.

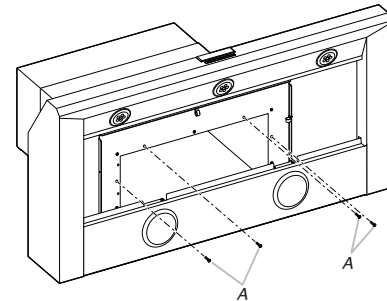
3. Securely tighten screws.



A. Two 4.2 x 8 mm screws

Install Lower Chimney Cover

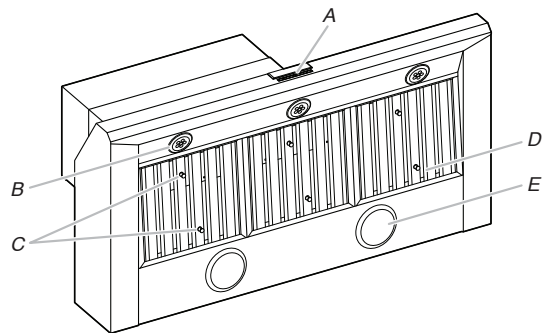
1. Slightly spread the sides of the cover apart and hook them behind the upper chimney.
2. From inside the range hood, use the 4 - 4.2 x 8 mm screws to attach the lower chimney cover to the body of the range hood.
3. Securely tighten screws.



A. Screws

Complete Installation and Check Operation

1. Install grease filters. See the "Range Hood Care" section.
2. Check operation of the range hood blower and lights. See the "Range Hood Use" section.



- A. Blower control switches
- B. LED lights
- C. Grease filter handles
- D. Grease filter
- E. Heat lamps

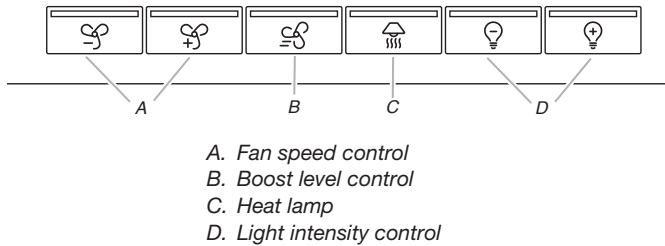
3. If range hood does not operate, check to see whether a circuit breaker has tripped or a household fuse has blown. Disconnect power supply and check that the wiring is correct.

NOTE: To get the most efficient use from your new range hood, read the "Range Hood Use" section.

RANGE HOOD USE

The range hood is designed to remove smoke, cooking vapors and odors from the cooktop area. For best results, start the range hood before cooking and allow it to operate several minutes after the cooking is complete to clear all smoke and odors from the kitchen.

The range hood controls are located on the underside of the range hood.



Range Hood Controls

Operating the Light

1. Press the light control buttons (C) to turn on and control the light settings.
2. To select a lower intensity, press the left of the two light control buttons until desired light setting. To increase, press the right button.

Operating the Fan

1. Press the fan speed control buttons (A) to turn on and control the fan settings.
2. To boost the fan speed for five minutes, press the Fan Boost level button (B). Once the five minutes have passed, the fan will return to the previously selected speed.

Auto On Fan

The range hood has a built in sensor to automatically turn the fan on when excessive heat is detected. If needed, the sensor will turn the fan to the Boost setting, and once the heat decreases, the fan will automatically turn off.

Adjusting the Fan

The fan has three speed controls. Move the fan speed switch to “1” position for low speed, “2” position for medium speed, or “3” position for high speed.

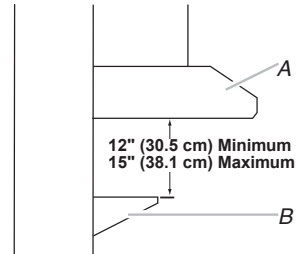
Thermal Protector

The range hood is equipped with a thermal protector to avoid overheating conditions. If the range hood shuts off while in use, press OFF button to turn off the range hood. Wait approximately 60 minutes, then press ON to restart the range hood.

Operating the Heat Lamp

The heat lamps are designed to keep food warm prior to serving. The cooktop surface is too far away from the heat lamp to be used as a shelf.

For best results, install a metal shelf to hold the food closer to the lamps. The optimum distance between the shelf and the range hood is 12" (30.5 cm) to 15" (38.1 cm).



A. Range hood
B. Metal shelf

For best performance, food should be placed directly under the heat lamps, not between them. You may need to adjust your food placement to match your needs.

1. Install heat lamp bulbs into heat lamp sockets.

NOTE: Heat lamp bulbs should be rated to a maximum of 175 W each. For best performance, 175 W maximum, PAR38 type, red heat lamp bulbs are recommended. Bulb performance varies. Lower wattage and clear bulbs decrease the performance.

⚠ WARNING

Food Poisoning Hazard

Do not let food sit for more than one hour before or after cooking.

Doing so can result in food poisoning or sickness.

2. To turn on the heat lamps, move the switch to the “I” position. To turn off the heat lamps, move the switch to the “O” position.

RANGE HOOD CARE

Cleaning

IMPORTANT: Clean the range hood and grease filters frequently according to the following instructions. Replace grease filters before operating range hood.

Exterior Surfaces:

To avoid damage to the exterior surface, do not use steel wool or soap-filled scouring pads.

Always wipe dry to avoid water marks.

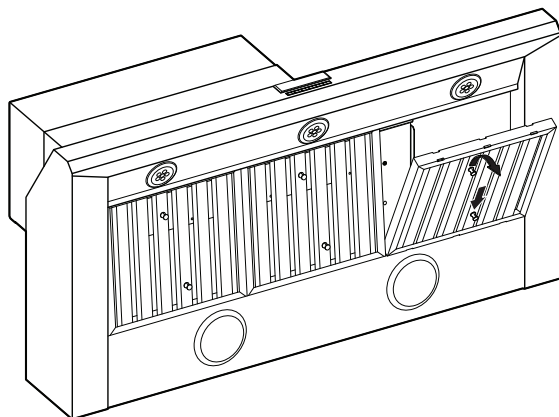
Cleaning Method:

- Liquid detergent soap and water or all purpose cleanser.
- Wipe with damp soft cloth or nonabrasive sponge, then rinse with clean water and wipe dry.

Metal Grease Filter

To Remove Metal Grease Filters:

1. Use two hands to remove the metal grease filters. Grasp filter handles, push toward the rear of the range hood and pull down on the front handle to remove.



2. Repeat for each grease filter.
3. Grease filters should be cleaned using warm water, dish washing liquid, and a non abrasive brush. Dishwasher not recommended.

To Reinstall Metal Grease Filters:

1. Grasp filter handles and place rear of filter into rear track.
2. Push down on the rear handle and set the front of the grease filter into the front track to secure.
3. Repeat for each filter.

Replacing a Heat Lamp

This range hood uses two 175 W maximum heat lamps. Turn off the heat lamps and allow them to cool.

To Replace:

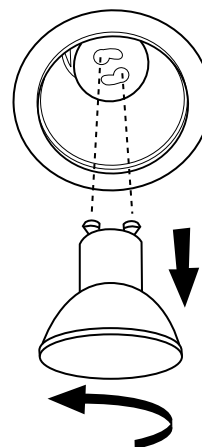
1. Disconnect power.
2. Remove the heat lamp bulb from its socket.
3. Replace the heat lamp bulb with the same type bulb and tighten it in its socket.
4. Repeat steps 2 and 3 with the other heat lamp bulb if necessary.
5. Reconnect the power.

Replacing a LED Lamp

Turn off the range hood and allow the LED lamp to cool. To avoid damage or decreasing the life of the new bulb, do not touch bulb with bare fingers. Replace bulb, using tissue or wearing cotton gloves to handle bulb.

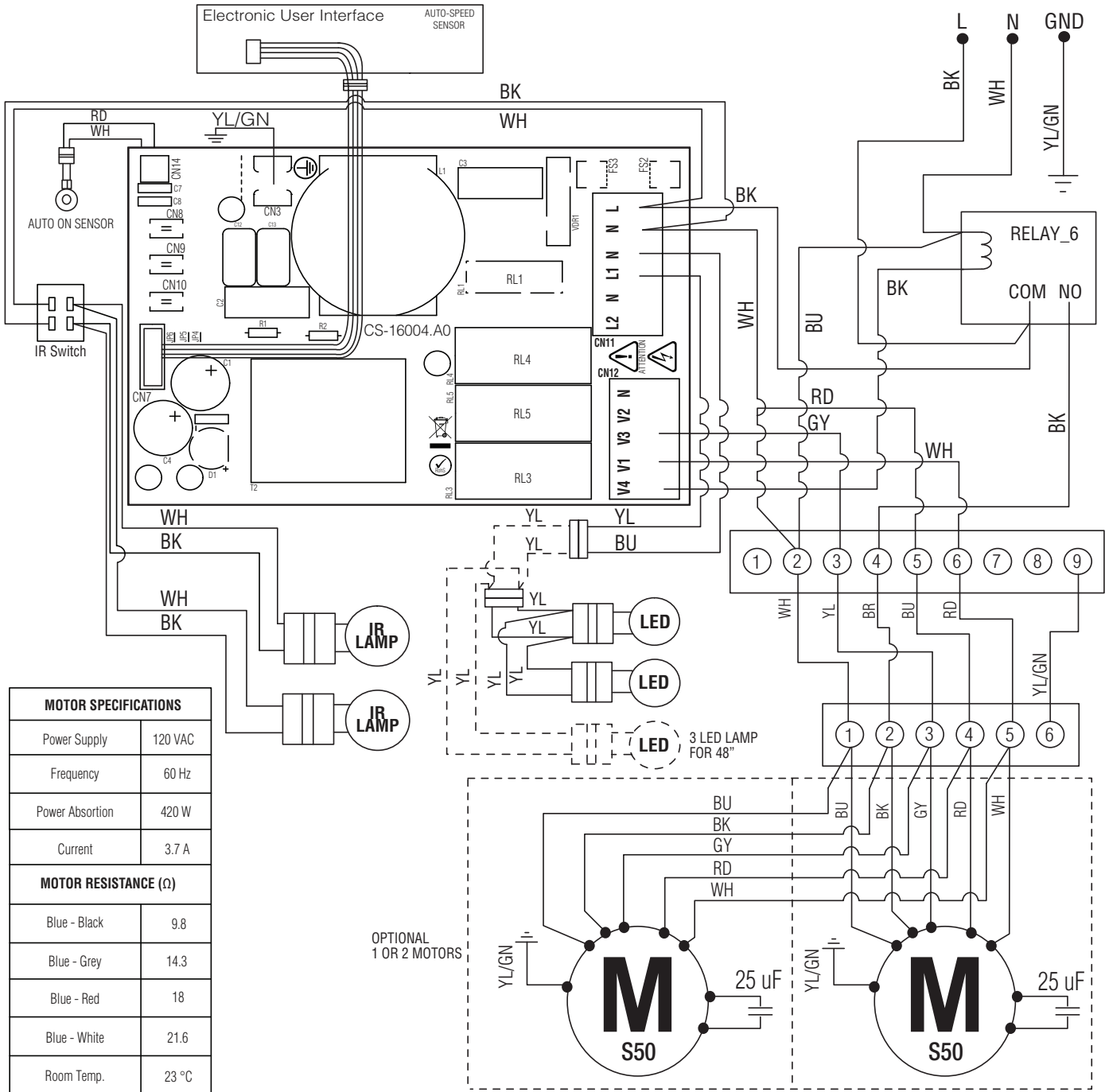
If new lamps do not operate, make sure the bulbs are inserted correctly before calling service.

1. Disconnect power.
2. Push up on the lens and turn it counterclockwise.



3. Remove the bulb and replace it with a 120 V, 6.5 W maximum halogen bulb with a GU10 base. Turn it clockwise to lock it into place.
4. Repeat steps 2-3 for the other bulb if needed.
5. Reconnect power.

WIRING DIAGRAM



MOTOR SPECIFICATIONS	
Power Supply	120 VAC
Frequency	60 Hz
Power Absorption	420 W
Current	3.7 A
MOTOR RESISTANCE (Ω)	
Blue - Black	9.8
Blue - Grey	14.3
Blue - Red	18
Blue - White	21.6
Room Temp.	23 °C

ASSISTANCE OR SERVICE

When calling for assistance or service, please know the purchase date and the complete model and serial number of your appliance. This information will help us to better respond to your request.

If you need replacement parts

If you need to order replacement parts, we recommend that you use only factory specified parts. Factory specified parts will fit right and work right because they are made with the same precision used to build every new appliance. To locate factory specified replacement parts in your area, call us or your nearest designated service center.

In the U.S.A.

Call the KitchenAid Customer eXperience Center toll free: **1-800-422-1230**.

Our consultants provide assistance with:

- Features and specifications on our full line of appliances.
- Referrals to local KitchenAid appliance dealers.
- Installation information.
- Use and maintenance procedures.
- Accessory and repair parts sales.
- Specialized customer assistance (Spanish speaking, hearing impaired, limited vision, etc.).
- Referrals to local dealers, repair parts distributors and service companies. KitchenAid designated service technicians are trained to fulfill the product warranty and provide afterwarranty service, anywhere in the United States. To locate the KitchenAid designated service company in your area, you can also look in your telephone directory Yellow Pages.

For further assistance

If you need further assistance, you can write to KitchenAid with any questions or concerns at:

KitchenAid Brand Home Appliances
Customer eXperience Center
553 Benson Road
Benton Harbor, MI 49022-2692

Please include a daytime phone number in your correspondence.

In Canada

Call the KitchenAid Canada Customer eXperience Centre toll free: **1-800-807-6777**.

Our consultants provide assistance with:

- Features and specifications on our full line of appliances.
- Use and maintenance procedures.
- Accessory and repair parts sales.
- Referrals to local dealers, repair parts distributors and service companies. KitchenAid Canada designated service technicians are trained to fulfill the product warranty and provide after-warranty service, anywhere in Canada.

For further assistance

If you need further assistance, you can write to KitchenAid Canada with any questions or concerns at:

Customer eXperience Centre
KitchenAid Canada
200 - 6750 Century Ave.
Mississauga, Ontario L5N 0B7

Please include a daytime phone number in your correspondence.

Notas