



DRYERS

SAFETY INFORMATION3

USING THE DRYER.....5
Appliance Communication 5

LOADING9

VENTING10

CARE AND CLEANING..... 11

TROUBLESHOOTING TIPS.....12

LIMITED WARRANTY15

CONSUMER SUPPORT16

OWNER'S MANUAL

**ENGLISH/ FRANÇAIS/
ESPAÑOL**

Write the model and serial numbers here:

Model # _____

Serial # _____

They are on the label on the front of the dryer behind the door.



49-3000244 Rev 1

07-21 GEA

THANK YOU FOR MAKING GE APPLIANCES A PART OF YOUR HOME.

Whether you grew up with GE Appliances, or this is your first, we're happy to have you in the family.

We take pride in the craftsmanship, innovation and design that goes into every GE Appliances product, and we think you will too. Among other things, registration of your appliance ensures that we can deliver important product information and warranty details when you need them.

Register your GE appliance now online. Helpful websites and phone numbers are available in the Consumer Support section of this Owner's Manual. You may also mail in the pre-printed registration card included in the packing material.



IMPORTANT SAFETY INFORMATION.

READ ALL INSTRUCTIONS BEFORE USING THE APPLIANCE

▲WARNING To reduce the risk of fire, explosion, electric shock, or injury to persons when using your appliance, follow basic precautions, including the following:

- Read all instructions before using the appliance.
- **DO NOT** dry articles that have been previously cleaned in, washed in, soaked in, or spotted with gasoline, dry-cleaning solvents, or other flammable or explosive substances, as they give off vapors that could ignite or explode.
- **DO NOT** place items exposed to cooking oils in your dryer. Items contaminated with cooking oils may contribute to a chemical reaction that could cause a load to catch fire. To reduce the risk of fire due to contaminated loads, the final part of the tumble dryer cycle occurs without heat (cool down period). Avoid stopping a tumble dryer before the end of the drying cycle unless all items are quickly removed and spread out so that the heat is dissipated.
- **DO NOT** allow children to play on or in this appliance. Close supervision of children is necessary when this appliance is used near children.
- Before the appliance is removed from service or discarded, remove the door to the drying compartment.
- **DO NOT** reach into the appliance if the drum is moving.
- **DO NOT** install or store this appliance where it will be exposed to the weather.
- **DO NOT** tamper with controls.
- **DO NOT** climb or stand on this unit.
- **DO NOT** repair or replace any part of this appliance or attempt any servicing unless specifically recommended in the user-maintenance instructions or in published user-repair instructions that you understand and have the skills to carry out.
- Follow all fabric care instructions and warnings to prevent melting of garments or damage to the appliance.
- **DO NOT** use fabric softeners or products to eliminate static unless recommended by the manufacturer of the fabric softener or product.
- **DO NOT** dry articles containing foam rubber or similarly textured rubber-like materials.
- Clean lint screen before or after each load.
- **DO NOT** operate the dryer without the lint filter in place.
- **DO NOT** store combustible materials, gasoline or other flammable liquids near the dryer. Keep area around the exhaust opening and adjacent surrounding areas free from the accumulation of lint, dust and dirt.
- The interior of the appliance and exhaust duct should be cleaned periodically by qualified service personnel.
- Unplug the appliance or turn off the circuit breaker before servicing. Pressing the **Power** or **Start/Pause** button **DOES NOT** disconnect power.
- **DO NOT** operate this appliance if it is damaged, malfunctioning, partially disassembled, or has missing or broken parts, including a damaged cord or plug.
- **DO NOT** spray any type of aerosol into, on or near dryer at any time. **DO NOT** use any type of spray cleaner when cleaning dryer interior. Hazardous fumes or electrical shock could occur.
- See "ELECTRICAL CONNECTION" located in the Installation Instructions for grounding instructions.

Proper Disposal of your Appliance

- Dispose of or recycle your appliance in accordance with Federal and Local Regulations. Contact your local authorities for the environmentally safe disposal or recycling of your appliance.
- Consider recycling options for your appliance packaging material.

READ AND SAVE THESE INSTRUCTIONS

IMPORTANT SAFETY INFORMATION

READ ALL INSTRUCTIONS BEFORE USING THE APPLIANCE

ADDITIONAL GAS DRYER WARNINGS


▲ WARNING  - Fire or Explosion Hazard

Failure to follow safety warnings exactly could result in serious injury, death, or property damage.

- DO NOT store or use gasoline or other flammable vapors and liquids in the vicinity of this or any other appliance.
- WHAT TO DO IF YOU SMELL GAS:
 - DO NOT try to light any appliance.
 - DO NOT touch any electrical switch; DO NOT use any phone in your building.
 - Clear the room, building, or area of any occupants.
 - Immediately call your gas supplier from a neighbor's phone. Follow the gas supplier's instructions.
 - If you cannot reach your gas supplier, call the fire department.
- Installation and service must be performed by a qualified installer, service agency, or the gas supplier.

Using the dryer

⚠ WARNING To reduce the risk of fire, electric shock, or injury to persons, read the IMPORTANT SAFETY INFORMATION before operating this appliance.

⚠ WARNING  - Fire Hazard

- Keep flammable materials and vapors, such as gasoline, away from dryer.
- **DO NOT** dry anything that has ever had anything flammable on it (even after washing).
- No washer can completely remove oil.
- **DO NOT** dry anything that has ever had any type of oil on it (including cooking oils).
- Items containing foam, rubber, or plastic must be dried on a clothesline.
- Failure to do so can result in death, explosion, or fire.

Appliance communication

WiFi Connect (For customers in the United States only - on some models)

Depending on the model, your dryer is either **GE Appliances WiFi Connect** enabled, or compatible using the optional **GE Appliances U+ Connect** module.

If enabled: Visit GEAppliances.com/connect and enter your model number to show you the proper steps to connect your appliance.

If compatible: To connect this appliance to the internet you will need to purchase a **GE Appliances U+ Connect** module and attach it to your appliance through the communication port. The **GE Appliances U+ Connect** module will allow your appliance to communicate with your smartphone for remote appliance monitoring, control and notifications.

WiFi Connectivity: For assistance with the appliance or the **GE Appliances U+ Connect** network connectivity, please call GE Appliances Connected Home Support at **800.220.6899**.

Please visit GEAppliances.com/connect to learn more about connected appliance features, to learn what connected appliance apps will work with your smartphone and to learn where you can purchase a **U+ Connect** module.

The **U+ Connect** module has the FCC/IC ID located on the back of the module.

Part Number	Accessory
PBX23W00Y0	WiFi U+ Connect module

Throughout this manual, features and appearance may vary from your model.

Step 1



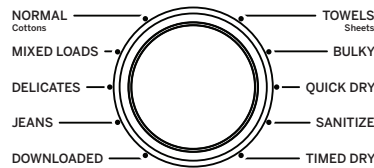
- Clean lint filter
 - Loosely add items.
 - Close door.
- NOTE:** Dryer will not start with door open.

Step 2



- If the screen is dark, press the Power button to “wake up” the display.

Step 3



- Select a dry cycle. (Defaults are set for each dry cycle. These default settings can be changed. See the cycle descriptions for more information.)

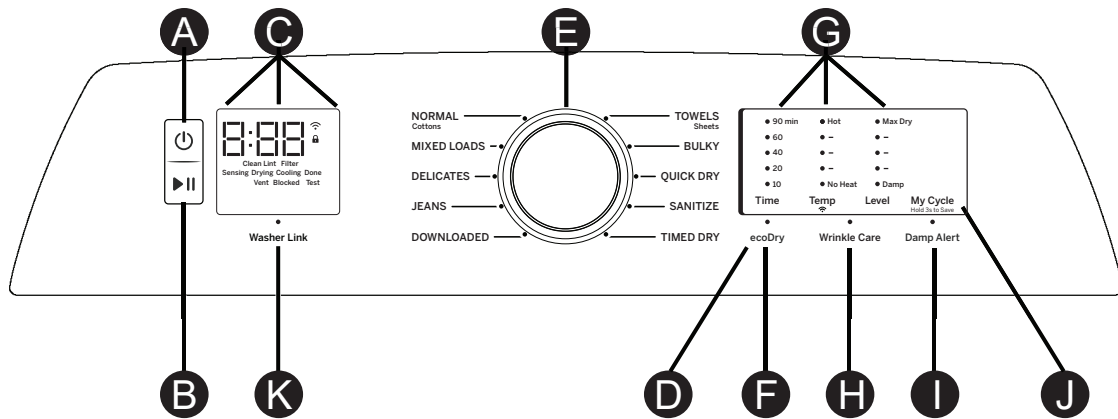
Step 4



- Press the Start/ Pause button.

Using the dryer

Features and appearance will vary.



- A Power**
Press to “wake up” the display. If the display is active, press to put the dryer into idle mode.
NOTE: Pressing **Power** does not disconnect the appliance from the power supply.
- B Start and Pause**
Press **Start** to begin the cycle. **NOTE:** The door must be closed for the dryer to start the cycle. Pressing **Start** again will pause the cycle, the **Start** light will blink and “**Pause**” will display.
To continue the cycle, press **Start** again.

C Display and Status Lights
The display shows the approximate time remaining until the end of the cycle.
In addition, this display will show the dryer status:

Pause (on some models)	The Start/Pause light will flash and the message “ Pause ” will show in the display when the dryer’s cycle is paused. The cycle may be re-started by pressing the Start button.
WiFi (on some models)	Will allow your appliance to communicate with your smartphone for remote appliance monitoring control and notifications.
Controls	The dryer is locked - will blink once if you press any button or turn the cycle knob.
Sensing	Indicates the dryer is sensing the level of dampness to determine estimated cycle time remaining.
Clean Lint Filter	The Clean Lint Filter light will stay on for 15 seconds after the cycle stops.
Vent Blocked (on some models)	The Vent Blocked light indicates an issue has been found due to reduced airflow from a possible blocked or restricted vent. Checking and/or cleaning the vent system is recommended. See the, “ Vent Blocked ” light is on in the Troubleshooting Tips section.
Sensing	Garments need additional time to be dried.
Drying	Clothes dryer is removing moisture.
Cooling	Air fluff cooling time after drying process.
Done	Cycle has been completed and it will display the legend “ END ”.
Vent + Test	Venting system diagnostic test.

Using the dryer

D Control Lock

You can lock the controls to prevent any selections from being made. Or you can lock the controls after you have started a cycle. Children cannot accidentally start the dryer by touching buttons with this option selected.

To lock/unlock the dryer controls, press and hold the **ecoDry** button for 3 seconds. The control lock icon will flash while locking/unlocking, stay on when locked, and turn off when unlocked.

NOTE: The **Power** button can still be used when the machine is locked.

E Drying Cycles

Sensor cycles automatically determine fabric dryness.

Timed cycles run for the selected time.

SANITIZE

This option reduces certain types of bacteria including: Staphylococcus aureus, Pseudomonas aeruginosa and Klebsiella pneumoniae. The anti-bacterial process occurs when high heat is used during a portion of the drying cycle; cool down also will be longer to protect you from a hot garment.

NOTE: Do not use this cycle on delicate fabrics.

BULKY

For large coats, bed spreads, mattress covers, sleeping bags, and similar large/bulky items such as blankets, comforters, jackets, and small rugs.

TOWELS/ Sheets

For most towels and linens.

NORMAL/ Cottons

For cottons and most linens. **NOTE: ENERGY STAR®** models are tested on **NORMAL/ Cottons** with default settings (**Dry** level, **Hot** temperature and **ecoDry**).

MIXED LOAD

For loads consisting of cottons and poly-blends.

DOWNLOADED

A cycle with 3 options through the GE Appliances Laundry App:

Casual (Default): Wrinkle care and permanent press items.

Active Wear: Special sport items that need extra drying care.

Warm Up: Provides 10 minutes of heating to warm up clothes.

DELICATES

For delicate items, special-care fabrics and knits.

QUICK DRY

For small loads that are needed in a hurry, such as sport or school uniforms. Can also be used if the previous cycle left some items damp, such as collars or waistbands. **NOTE:** On some models, the time remaining in the cycle will show counting down in the display.

JEANS

For jeans.

TIMED DRY

Set the Cycle Selector at the desired drying time.

WARM UP

Provides 10 minutes of warming time to warm up clothes.

AIR FLUFF

Provides 10 minutes of tumbling time with no heat. **NOTE:** On models without AIR FLUFF cycle, select **TIMED DRY** and set **Temp** to **No Heat**.

F ecoDry

Available for **BULKY**, **TOWELS/Sheets**, **NORMAL/Cottons**, **MIXED LOAD**, **JEANS**, and **DELICATES**. When the **ecoDry** button is pressed, cycle settings change to reduce the total energy consumption of the selected sensor cycle. **NOTE:** Cycle times will change when **ecoDry** is selected. The **ecoDry** option will default to on for **NORMAL/Cottons**. For optimal energy savings, turn **ecoDry** on. For optimal drying times, turn **ecoDry** off. **NOTE:** Energy savings will vary across loads and cycles.

Using the dryer

G Settings

Individual settings for cycle minutes (**Time**), dryness level (**Level**) and temperature (**Temp**) can be set from the minimum (lowest in column) to maximum (highest in column). In general, the higher up the column, the more energy will be used.

Dryness Level	Description	Light ON from bottom indicates setting:
Max Dry	Use for heavy-duty fabrics.	5
More Dry	Use for mixed type fabrics.	4
Dry	Use for a normal dryness level suitable for most loads. This is the preferred cycle for energy savings.	3
Less Dry	Use for lighter fabrics.	2
Damp	For leaving items partially damp.	1

Temperature	Description	Light ON from bottom indicates setting:
Hot	For regular to heavy cottons.	5
Medium	For synthetics, blends, delicates and items labeled permanent press.	4
Low	For delicates, synthetics and items labeled tumble dry low.	3
Extra Low	For delicates, synthetics and items labeled extra care or gentle dryness.	2
No Heat	For fluffing items without heat. For use only with the TIMED DRY cycle.	1

H Wrinkle Care

Use this option to minimize the wrinkles in clothes. It provides 1 hour of no-heat tumbling after the clothes are dry. If you have **Sound** option enabled and you select the **Wrinkle Care** option, a signal will sound at the end of the drying time and several times during the **Wrinkle Care** cycle. This will remind you that it is time to remove the clothes.

Sound

Press and hold the **Wrinkle Care** button for 3 seconds to toggle Sound option between enabled and disabled. “**Sound on**” will show on the display and a tone will play when enabled. “**Sound off**” will show on the display and no tone will play when disabled.

I Damp Alert

This option causes the dryer to beep when clothes have dried to a damp level. Remove items that you wish to hang dry. The **Damp Alert** will only beep when this option is selected (but the dry cycle will keep running). Removing clothes and hanging them when they are damp, can reduce the need to iron some items. The light beside the button will be lit when **Damp Alert** is on.

Drum Light

The drum light will turn on if, the **Damp Alert** button is pressed for 3 seconds, or the door is opened. It will turn off when the door is shut, the **Damp Alert** button is pressed again for 3 seconds or after 5 minutes if the door is left open.

- Remove garments promptly at the sound of signal. Place clothes on hangers so wrinkles will not set in.
- Use the **Damp Alert** especially when drying fabrics like polyester, knits and permanent press. These fabrics should be removed so wrinkles will not set in.

J My Cycle

As the cycle selector knob is turned, the **Time** (timed dry), **Level** (dryness level) and **Temp** (temperature) settings change to automatic pre-set default settings. If you desire a different setting, press the appropriate button(s). Then press and hold the **My Cycle** button for 3 seconds and the dryer will “remember” these settings for that Knob Selection. In the future, when you turn the selector knob to that cycle, your settings will be automatically recalled. **NOTE:** Signal sound cannot be set for **My Cycle**.

K Washer Link

This feature wirelessly links your washer to your dryer and uses the connection information to automatically adjust the settings of your dryer for the clothes just washed. If the dryer has a valid WiFi connection, and the **Washer Link** option is selected, either via the button or the App, the light above the button will be lit. If the option is not selected then the light will turn off. If the dryer does not have a valid WiFi connection, and this option is selected, either via the button or the App, the WiFi light and the **Washer Link** light will blink and an error tone will play.

Loading

Always follow fabric manufacturer's care label when laundering.

Sorting and Loading Hints

⚠ WARNING - Fire Hazard

- Keep flammable materials and vapors, such as gasoline, away from dryer.
- **DO NOT** dry anything that has ever had anything flammable on it (even after washing).
- No washer can completely remove oil.
- **DO NOT** dry anything that has ever had any type of oil on it (including cooking oils).
- Items containing foam, rubber, or plastic must be dried on a clothesline.
- Failure to do so can result in death, explosion, or fire.

As a general rule, if clothes are sorted properly for the washer, they are sorted properly for the dryer. Try also to sort items according to size. For example, do not dry a sheet with socks or other small items.

Do not add fabric softener sheets once the load has become warm. They may cause fabric softener stains. Bounce® Fabric Conditioner Dryer Sheets have been approved for use in this dryer when used in accordance with the manufacturer's instructions.

Do not overload. This wastes energy and causes wrinkling.

Drying Rack (on some models)

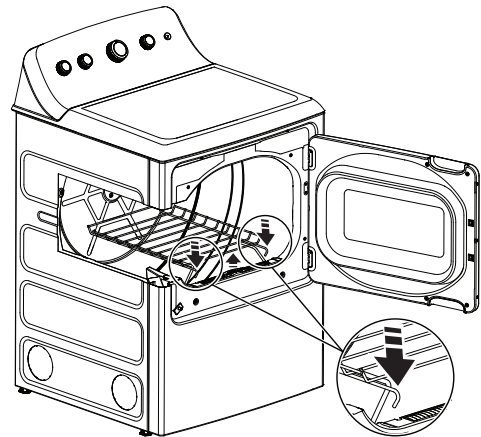
A handy drying rack may be used for drying delicate items such as washable sweaters.

To install the drying rack:

- 1** Lift the lint filter slightly. (Do not remove the lint filter completely).
- 2** Place the rack in the dryer and lower its front legs and hook them in the slots.
- 3** Press the rack down flat and lower the lint filter back down into position.

NOTES:

- The drying rack must be used with the **TIMED DRY** cycle. Use with sensor cycles may result in damp items or extended cycle times.
- Do not use this drying rack when there are other clothes in the dryer.
- If your model did not come with a drying rack, order WE01X25160 on-line at **GEApplianceparts.com**, 24 hours a day or by phone at 877.959.8688 during normal business hours.



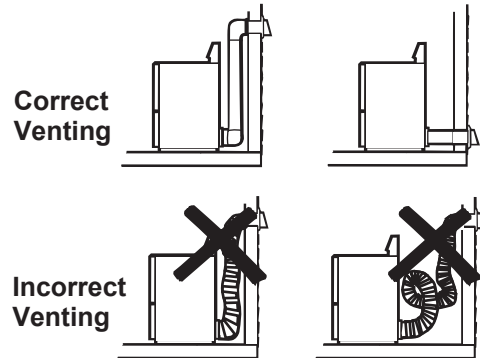
Lift filter and hook front rack legs into slots

Venting

Venting the Dryer

For the best drying performance, the dryer needs to be properly vented. The dryer will use more energy and run longer if it is not vented to the specifications below. Carefully follow the details on Exhausting in the Installation Instructions.

- Use only rigid metal 4" diameter ductwork inside the dryer cabinet. Use only rigid metal or UL listed flexible metal 4" diameter ductwork for exhausting to the outside.
- Do not use plastic or other combustible ductwork.
- Use the shortest length possible.
- Do not crush or collapse.
- Avoid resting the duct on sharp objects.
- **Venting must conform to local building codes.**



⚠ WARNING - Fire Hazard

This dryer **MUST** be exhausted to the outdoors.
 Use only 4" rigid metal ducting for the home exhaust duct.
 Use only 4" rigid metal or UL-listed dryer transition duct to connect the dryer to the home exhaust.
DO NOT use a plastic vent.
DO NOT exhaust into a chimney, kitchen exhaust, gas vent, wall, ceiling, attic, crawl space, or concealed space of a building.
DO NOT install a screen in or over the exhaust duct.
DO NOT install a booster fan in the exhaust duct.
DO NOT use duct longer than specified in the exhaust length table.
 Failure to follow these instructions can result in death or fire.

Vent Health

Is a diagnostic test to verify the status of the venting system. **NOTE:** To run the test, ambient temperature must be below 85°F (if temperature is above 85°F the test will be invalid and the main display will show "00").

To enter Vent Health test mode:

- 1** Ensure the drum is empty.
- 2** Ensure the lint filter is clean.
- 3** Press and hold the **Time** and **Level** buttons for 3 seconds.
- 4** Close the door and press **Start**.

After the test is run, the display will show a number. Use the table below to understand the result and the action needed.

Main Display	LED Display	Result	Action*
01	OFF	Clean/Normal	Your house vent is in good condition and no action is required.
02	OFF	May need attention	Your house vent condition may affect your dryer's performance. Check and clean or make adjustments to improve.
03	Vent Blocked	Blocked	Your house vent is highly restricted and is affecting your dryer's performance. Clean and/or make needed adjustments to improve.

*Also see **Interior and Duct** in the **Care and Cleaning** section.

Care and Cleaning

Interior and Duct

The interior of the appliance and exhaust duct should be cleaned once a year by qualified service personnel.

The Exhaust Duct: Inspect and clean the exhaust ducting at least once a year to prevent clogging. A partially clogged exhaust can lengthen the drying time.

Follow these steps:

- 1 Turn off electrical supply by disconnecting the plug from the wall socket.
- 2 Disconnect the duct from the dryer.
- 3 Vacuum the duct with the hose attachment and reconnect the duct.

The Exhaust Hood: Check with a mirror that the inside flaps of the hood move freely when operating. Make sure that there is no wildlife (birds, insects, etc.) nesting inside the duct or hood.

Exterior

Wipe or dust any spills or washing compounds with a damp cloth. Dryer control panel and finishes may be damaged by some laundry pretreatment soil and stain remover products. Apply these products away from the dryer. The fabric may then be washed and dried normally. Damage to your dryer caused by these products is not covered by your warranty.

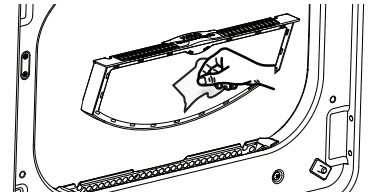
Lint Filter

Clean the lint filter before each use.

Remove by pulling straight up. Run your fingers across the filter. A waxy buildup may form on the lint filter from using dryer added fabric softener sheets.

To remove this buildup, wash the lint screen in warm, soapy water. Dry thoroughly and replace.

Vacuum the lint from the dryer lint filter area if you notice a change in dryer performance.



NEVER OPERATE THE DRYER WITHOUT ITS FILTER IN PLACE.

Stainless Steel

To clean stainless steel surfaces use a damp cloth with a mild, non-abrasive cleaner suitable for stainless steel surfaces. Remove the cleaner residue and then dry with a clean cloth.

The stainless steel used to make the dryer drum provides the highest reliability available in a GE Appliances dryer. If the dryer drum should be scratched or dented during normal use, the drum will not rust or corrode. These surface blemishes will not affect the function or durability of the drum.

Drum Light

The drum light is an LED light. Replacement must be done by a qualified technician.

Troubleshooting Tips... Before you call for service

Problem	Possible Cause	What To Do
Dryer shakes or makes noise	Some shaking/noise is normal. Dryer may be sitting unevenly.	Move dryer to an even floor space, or adjust leveling legs as necessary until even.
Clothes take too long to dry	Improper or obstructed ducting	Check the Installation Instructions to make sure the dryer venting is correct. Make sure ducting is clean, free of kinks and unobstructed. Check to see if outside wall damper operates easily.
	Improper sorting	Separate heavy items from lightweight items (generally, a well-sorted washer load is a well-sorted dryer load).
	Large loads of heavy fabrics (like beach towels)	Large, heavy fabrics contain more moisture and take longer to dry. Separate large, heavy fabrics into smaller loads to speed drying time.
	Controls improperly set	Match control settings to the load you are drying.
	Lint filter is full	Clean lint filter before every load.
	Blown fuses or tripped circuit breaker	Replace fuses or reset circuit breakers. NOTE: Some electric dryers use 2 fuses/breakers, make sure both are operating.
	Overloading/combining loads	Do not put more than one washer load in the dryer at a time.
	Underloading	If you are drying only one or two items, add a few items to ensure proper tumbling.
	ecoDry is enabled	The ecoDry feature is designed to operate your dryer in the most energy efficient mode, which is not always the fastest mode. In some instances, dry times may be extended to reduce overall energy usage for the cycle.
The Dry dryness level was chosen but load is still damp	Load consists of a mixture of heavy and light fabrics	When combining heavy and light fabrics in a load, choose Max Dry .
	Exhaust system is blocked	Inspect and clean exhaust system.
Dryer doesn't start	Control panel is "asleep"	This is normal. Press Power to activate the control panel.
	Dryer is unplugged	Make sure the dryer plug is pushed completely into the outlet.
	Fuse is blown/circuit breaker is tripped	Check the building's fuse/circuit breaker box and replace fuse or reset breaker. NOTE: Some electric dryers use two fuses/breakers, make sure both are operating.
	Dryer was accidentally paused when starting Delay Dry	If the light on the Start/Pause button is flashing, the dryer is paused. Press Start/Pause to restart the countdown.
No numbers displayed during cycle, only lights	Dryer is continuously monitoring the amount of moisture in the clothes	This is normal. When the dryer senses a low level of moisture in the load, the dryer will display the dry time remaining.
Time Remaining jumped to a lower number	The estimated time may change when a smaller load than usual is drying	This is normal.
Cannot make a selection and the dryer beeps twice	The dryness Level, Temp or option that you are trying to select is incompatible with the chosen dry cycle	This is normal.
Dryer is running but 00 is displayed in Time Remaining	The Wrinkle Care option was chosen	This is normal. During extended tumbling, the time remaining is not displayed. The extended tumbling option lasts approximately 60 minutes.
"Vent Blocked" light is on	Lint filter is full	Clean lint filter, dry a load on an automatic cycle and verify that light turns off.
	Improper or obstructed ducting	Check the Installation Instructions to make sure the dryer venting is correct. Make sure ducting is clean, free of kinks and unobstructed. Check to see if outside wall damper operates easily. Dry a load on an automatic cycle and verify that light turns off.
	Exhaust system is blocked	Inspect and clean the exhaust system. Dry a load on an automatic cycle and verify that light turns off.

Troubleshooting Tips... Before you call for service

Problem	Possible Causes	What To Do
Dryer doesn't heat	Fuse is blown/circuit breaker is tripped; the dryer may tumble but not heat	Check the building's fuse/circuit breaker box and replace both fuses or reset both breakers. Your dryer may tumble if only one fuse is blown or one breaker tripped. NOTE: Some electric dryers use 2 fuses/breakers, make sure both are operating.
	Gas service is off (gas models only)	Make sure gas shutoff at dryer and main shutoff are fully open.
	LP gas supply tank is empty or there has been a utility interruption of natural gas (gas models only)	Refill or replace tank. Dryer should heat when utility service is restored.
	No heat temperature selected	Select another heat setting
Inconsistent drying times	Type of heat	Drying time will vary according to the type of heat used. If you recently changed from an electric to a gas (natural or LP) dryer, or vice versa, the drying time could be different.
	Type of load and drying conditions	The load size, types of fabric, wetness of clothes and the length and condition of the exhaust system will affect drying times.
Clothes are still wet and dryer shut off after a short time	The door was opened mid-cycle. The load was then removed from the dryer and a new load put in without selecting a new cycle	A dry cycle must be reselected each time a new load is put in.
	Small load	When drying 3 items or less, choose QUICK DRY or TIMED DRY .
	Load was already dry except for collars and waistbands	Choose QUICK DRY or TIMED DRY to dry damp collars and waistbands. In the future, when drying a load with collars and waistbands, choose More Dry .
	Dryer is not level	Move dryer to an even floor space or adjust leveling legs as necessary until even.
Clothes are wrinkled	Overdrying	Select a shorter drying time. Remove items while they still hold a slight amount of moisture. Select a Less Dry or Damp setting.
	Letting items sit in dryer after cycle ends	Remove items when cycle ends and fold or hang immediately, or use the Wrinkle Care option.
	Overloading	Separate large loads into smaller ones.
Clothes shrink	Some fabrics will naturally shrink when washed. Others can be safely washed, but will shrink in the dryer.	To avoid shrinkage, follow garment care labels exactly. Some items may be pressed back into shape after drying. If you are concerned about shrinkage in a particular item, do not machine wash or tumble dry it.
Greasy spots on clothes	Improper use of fabric softener	Follow directions on fabric softener package.
	Drying dirty items with clean ones	Use your dryer to dry only clean items. Dirty items can stain clean items and the dryer.
	Clothes were not completely clean	Sometimes stains which cannot be seen when the clothes are wet appear after drying. Use proper washing procedures before drying.
Lint on clothes	Lint filter is full	Clean lint screen before each load.
	Improper sorting	Sort lint producers (like chenille) from lint collectors (like corduroy).
	Static electricity can attract lint	See suggestions in this section under Static occurs .
	Overloading	Separate large loads into smaller ones.
	Paper, tissue, etc., left in pockets	Empty all pockets before laundering clothes.

Troubleshooting Tips... Before you call for service

Problem	Possible Causes	What To Do
Static occurs	No fabric softener was used	Try a fabric softener. Bounce® Fabric Conditioner Dryer Sheets have been approved for use in all GE Appliances dryers when used in accordance with the manufacturer's instructions.
	Overdrying	Try a fabric softener. Adjust setting to Damp .
	Synthetics, permanent press and blends can cause static	Try a fabric softener.
Collars and waistbands still wet at end of cycle	The dryness monitor senses that the body of the clothes is dry	Choose QUICK DRY or TIMED DRY to dry damp collars and waistbands. In the future, when drying a load with collars and waistbands, choose Max Dry .
Slight variation in metallic color	This is normal	Due to the metallic properties of paint used for this unique product, slight variations of color may occur due to viewing angles and lighting conditions.
Dryer continues to tumble after display says Complete	Wrinkle Care was selected	Ensure Wrinkle Care option is not selected.

GE Appliances Dryer Limited Warranty

LIMITED WARRANTY

GEAppliances.com

All warranty service is provided by our Factory Service Centers, or an authorized Customer Care® technician. To schedule service online, visit us at GEAppliances.com/service, or call GE Appliances at 800.GE.CARES (800.432.2737). Please have your serial number and your model number available when calling for service.

Servicing your appliance may require the use of the onboard data port for diagnostics. This gives a GE Appliances factory service technician the ability to quickly diagnose any issues with your appliance and helps GE Appliances improve its products by providing GE Appliances with information on your appliance. If you do not want your appliance data to be sent to GE Appliances, please advise your technician not to submit the data to GE Appliances at the time of service.

For the period of:	We will replace:
One year From the date of the original purchase	Any part of the dryer which fails due to a defect in materials or workmanship. During this limited one-year warranty , we will also provide, free of charge , all labor and related service to replace the defective part.

What is not covered:

- Service trips to your home to teach you how to use the product.
- Improper installation, delivery or maintenance.
- Failure of the product if it is abused, misused, or used for other than the intended purpose or used commercially.
- Replacement of house fuses or resetting of circuit breakers.
- Products which are not defective or broken, or which are working as described in the Owner's Manual.
- Damage to the product caused by accident, fire, floods or acts of God.
- Incidental or consequential damage caused by possible defects with this appliance.
- Defects or damage due to operation in freezing temperatures.
- Damage caused after delivery.
- Product not accessible to provide required service.

EXCLUSION OF IMPLIED WARRANTIES

Your sole and exclusive remedy is product repair as provided in this Limited Warranty. Any implied warranties, including the implied warranties of merchantability or fitness for a particular purpose, are limited to one year or the shortest period allowed by law.

In the United States:

This limited warranty is extended to the original purchaser and any succeeding owner for products purchased for home use within the USA. If the product is located in an area where service by a GE Appliances Authorized Servicer is not available, you may be responsible for a trip charge or you may be required to bring the product to an Authorized GE Appliances Service location for service. In Alaska, the limited warranty excludes the cost of shipping or service calls to your home.

Some states do not allow the exclusion or limitation of incidental or consequential damages. This limited warranty gives you specific legal rights, and you may also have other rights which vary from state to state. To know what your legal rights are, consult your local or state consumer affairs office or your state's Attorney General.

Warrantor: GE Appliances, a Haier Company, Louisville, KY 40225

In Canada:

This limited warranty is extended to the original purchaser and any succeeding owner for products purchased in Canada for home use within Canada. If the product is located in an area where service by a GE Appliances Authorized Servicer is not available, you may be responsible for a trip charge or you may be required to bring the product to an Authorized GE Appliances Service location.

Some provinces do not allow the exclusion or limitation of incidental or consequential damages. This limited warranty gives you specific legal rights, and you may also have other rights which vary from province to province. To know what your legal rights are, consult your local or provincial consumer affairs office.

Warrantor: MC Commercial Inc., Burlington, ON, L7R 5B6

Extended Warranties: Purchase a GE Appliances extended warranty and learn about special discounts that are available while your warranty is still in effect. You can purchase it online anytime at

GEAppliances.com/extended-warranty

or call 800.626.2224 during normal business hours. GE Appliances Service will still be there after your warranty expires.

Staple your receipt here. Proof of the original purchase date is needed to obtain service under the warranty.

Consumer Support

GE Appliances Website

Have a question or need assistance with your appliance? Try the GE Appliances Website 24 hours a day, any day of the year! You can also shop for more great GE Appliances products and take advantage of all our on-line support services designed for your convenience. In the US: GEAppliances.com.

In Canada: GEAppliances.ca.

Register Your Appliance

Register your new appliance on-line at your convenience! Timely product registration will allow for enhanced communication and prompt service under the terms of your warranty, should the need arise. You may also mail in the pre-printed registration card included in the packing material. In the US: GEAppliances.com/register.

In Canada: Prodsupport.mabe.ca/crm/Products/ProductRegistration.aspx.

Schedule Service

Expert GE Appliances repair service is only one step away from your door. Get on-line and schedule your service at your convenience any day of the year. In the US: GEAppliances.com/service or call 800.432.2737 during normal business hours.

In Canada: GEAppliances.ca/en/support/service-request or call 800.561.3344.

Extended Warranties

Purchase a GE Appliances extended warranty and learn about special discounts that are available while your warranty is still in effect. You can purchase it on-line anytime. GE Appliances Services will still be there after your warranty expires. In the US: GEAppliances.com/extended-warranty or call 800.626.2224 during normal business hours.

In Canada: GEAppliances.ca/en/support/purchase-extended-warranty or call 866.277.9842.

Remote Connectivity

For assistance with wireless network connectivity (for models with remote enable), in the US visit our website at GEAppliances.com/connect or call 800.220.6899.

In Canada: GEAppliances.ca/connect or call 800.220.6899.

Parts and Accessories

Individuals qualified to service their own appliances can have parts or accessories sent directly to their homes (VISA, MasterCard and Discover cards are accepted). Order on-line today 24 hours every day.

In the US: GEApplianceparts.com or by phone at 877.959.8688 during normal business hours.

In Canada: GEAppliances.ca/en/products/parts-filters-accessories or call 800.661.1616.

Instructions contained in this manual cover procedures to be performed by any user. Other servicing generally should be referred to qualified service personnel. Caution must be exercised, since improper servicing may cause unsafe operation.

Contact Us

If you are not satisfied with the service you receive from GE Appliances, contact us on our Website with all the details including your phone number, or write to:

In the US: General Manager, Customer Relations | GE Appliances, Appliance Park | Louisville, KY 40225
GEAppliances.com/contact or call 800.626.2000

In Canada: Director, Consumer Relations, MC COMMERCIAL INC. | Suite 310, 1 Factory Lane | Moncton, N.B. E1C 9M3
GEAppliances.ca/en/contact-us or call 877.994.5366
